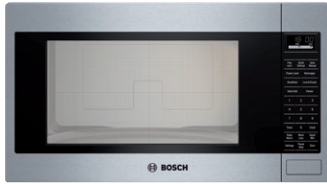


# 24" Built-In Microwave Oven

500 Series – Stainless Steel HMB5051



**HMB5051**  
Stainless Steel

Also available in:

Black HMB5061

**Built-In microwave design matched for use in combination with Bosch wall oven.**

## Features & Benefits

Large Cooking Interior Gives You More Flexibility in What Types of Dishes You Can Cook.

Built For Speed and Convenience With 1200 Watts of Microwave Cooking Power.

Convenient Automatic Sensor Programs Simplify Cooking for Great Results Every Time.

General Properties	
Cavity color	White
Max. microwave power (W)	1,200 W
Capacity	
Cavity capacity (cu. ft.)	2.1 cu. ft.
Turntable diameter (in.)	16 1/2"
Technical Details	
Watts (W)	1,460 W
Circuit breaker (A)	20 A
Volts (V)	120 V
Frequency (Hz)	60 Hz
Power cord length (in)	41 5/16"
Plug type	120V-3 prong

Dimensions & Weight	
Overall appliance dimensions (HxWxD) (in)	14" x 23 7/8" x 19 7/16"
Required cutout size (HxWxD) (in)	19 7/8" X 25 7/16" – 28 7/16" X 21"
Net weight (lbs)	34 lbs

Accessories—Included	
Included	Glass turntable

## Accessories—Optional



**HMT5751**  
27" Stainless steel trim kit



**HMT5051**  
30" Stainless steel trim kit



**Accessories:** To purchase Bosch accessories, cleaners & parts please visit [www.bosch-home.com/us/store](http://www.bosch-home.com/us/store) or call 1-800-944-2904 (Mon to Fri 5 am to 6 pm PST, Sat 6 am to 3 pm PST).

**Notes:** All height, width and depth dimensions are shown in inches. BSH reserves the absolute and unrestricted right to change product materials and specifications, at any time, without notice. Consult the product's installation instructions for final dimensional data and other details prior to making cutout.

**Warranties:** Please see Use & Care manual or Bosch website for statement of limited warranty.

**For more information on our entire line of products, go to [www.bosch-home.com/us](http://www.bosch-home.com/us) or call 1-800-944-2904**

© BSH Home Appliances Corporation. All rights reserved. Bosch is a registered trademark of Robert Bosch GmbH.

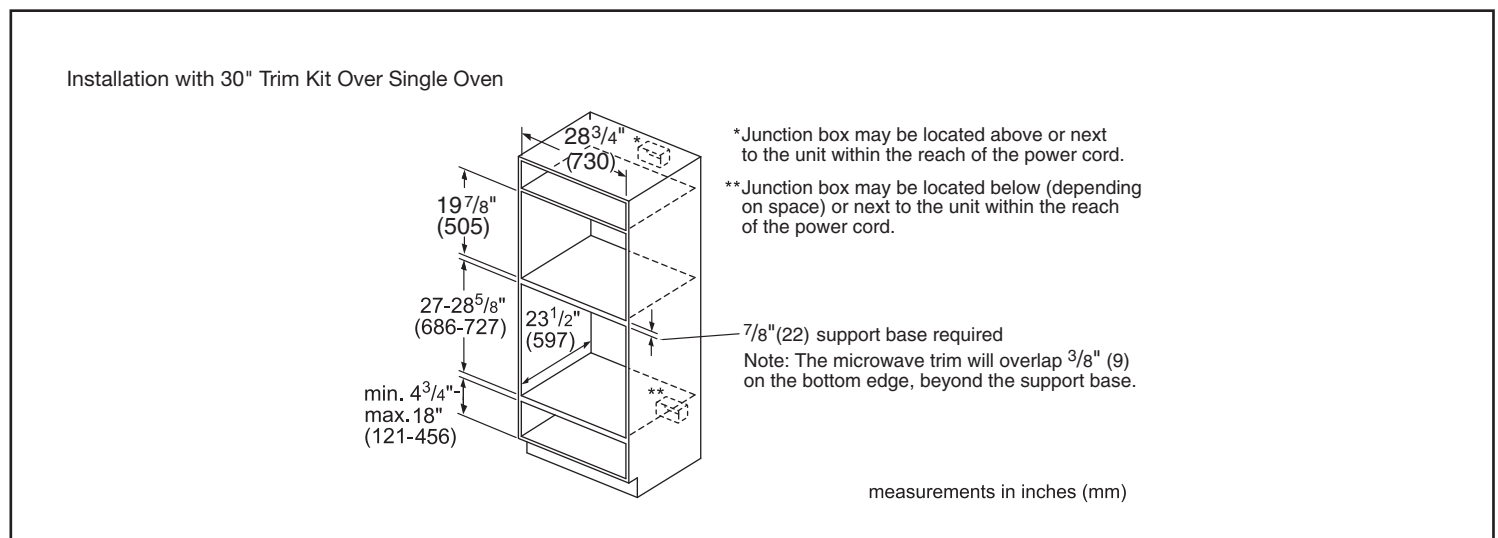
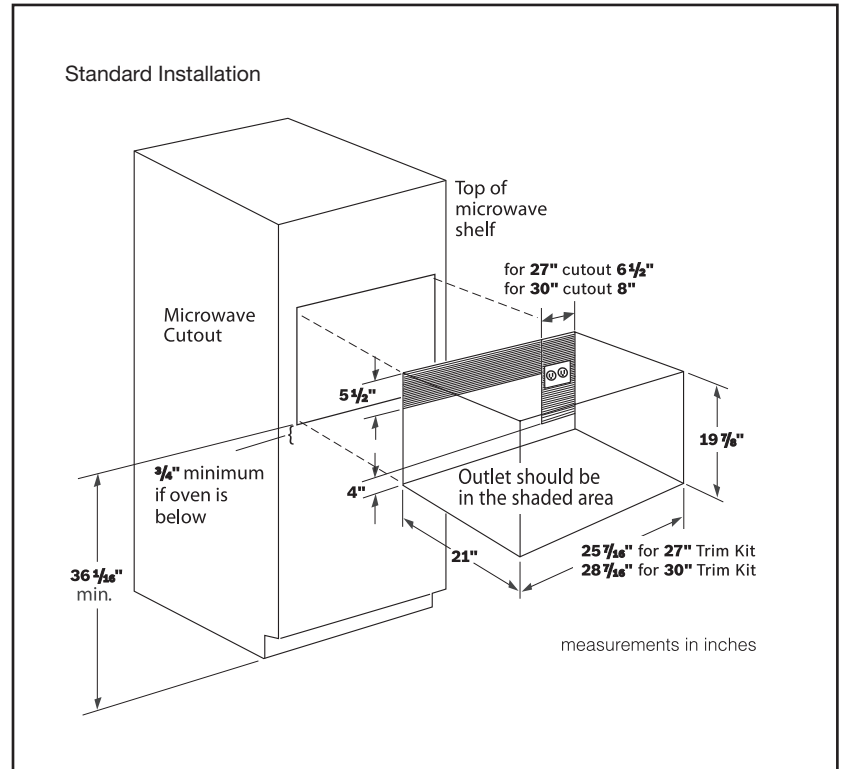
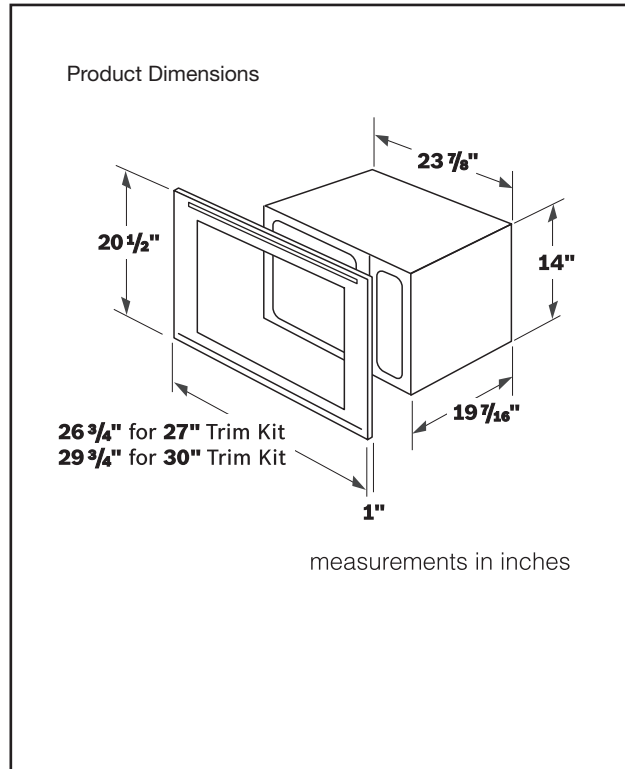
# 24" Built-In Microwave Oven

500 Series – Stainless Steel HMB5051



**BOSCH**  
Invented for life

## Installation Details



**Accessories:** To purchase Bosch accessories, cleaners & parts please visit [www.bosch-home.com/us/store](http://www.bosch-home.com/us/store) or call 1-800-944-2904 (Mon to Fri 5 am to 6 pm PST, Sat 6 am to 3 pm PST).

**Notes:** All height, width and depth dimensions are shown in inches. BSH reserves the absolute and unrestricted right to change product materials and specifications, at any time, without notice. Consult the product's installation instructions for final dimensional data and other details prior to making cutout.

**Warranties:** Please see Use & Care manual or Bosch website for statement of limited warranty.

**For more information on our entire line of products, go to [www.bosch-home.com/us](http://www.bosch-home.com/us) or call 1-800-944-2904**

© BSH Home Appliances Corporation. All rights reserved. Bosch is a registered trademark of Robert Bosch GmbH.