

30" Over-the-Range Microwave

300 Series – Stainless Steel HMV3053U



BOSCH
Invented for life



HMV3053U
Stainless Steel

The precisely designed OTR microwave is a perfect match to the sleek design of the Bosch kitchen.

Features & Benefits

A large cooking interior gives you flexibility to cook various dishes.

A multi-speed vent efficiently removes steam, smoke, grease and odors.

Automatic defrost determines power level and cooking time.

The LCD display features easy-to-read white LED lettering.

The OTR microwave is designed to install with a Bosch slide-in range or cooktop.

General Properties

Cavity color	White
Max. microwave power	1,000 W
Max. extraction rate	300 CFM
Ducted	Yes
Ductless	Yes
Duct size	3 1/4" x 10"

Capacity

Cavity capacity	1.6 cu. ft.
Turntable diameter	13 5/8"

Technical Details

Watts	1,550 W
Circuit breaker	15 A
Volts	120 V
Frequency	60 Hz
Power cord length	40"
Plug type	120V-3 prong

Dimensions & Weight

Overall appliance dimensions (HxWxD)	16 1/2" x 29 7/8" x 15 3/8"
Required cutout size (HxWxD)	30" x 30" x 12" – 12 7/8"
Net weight	57 lbs



Accessories: To purchase Bosch accessories, cleaners & parts please visit www.bosch-home.com/us/store or call 1-800-944-2904 (Mon to Fri 5 am to 6 pm PST, Sat 6 am to 3 pm PST).

Notes: All height, width and depth dimensions are shown in inches. BSH reserves the absolute and unrestricted right to change product materials and specifications, at any time, without notice. Consult the product's installation instructions for final dimensional data and other details prior to making cutout.

Warranties: Please see Use & Care manual or Bosch website for statement of limited warranty.

For more information on our entire line of products, go to www.bosch-home.com/us or call 1-800-944-2904

© BSH Home Appliances Corporation. All rights reserved. Bosch is a registered trademark of Robert Bosch GmbH.

30" Over-the-Range Microwave

300 Series – Stainless Steel HMV3053U

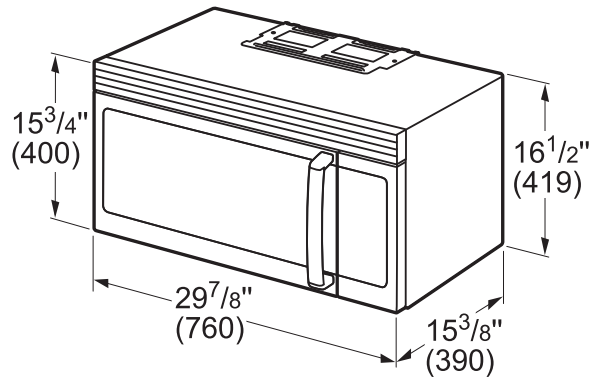


BOSCH

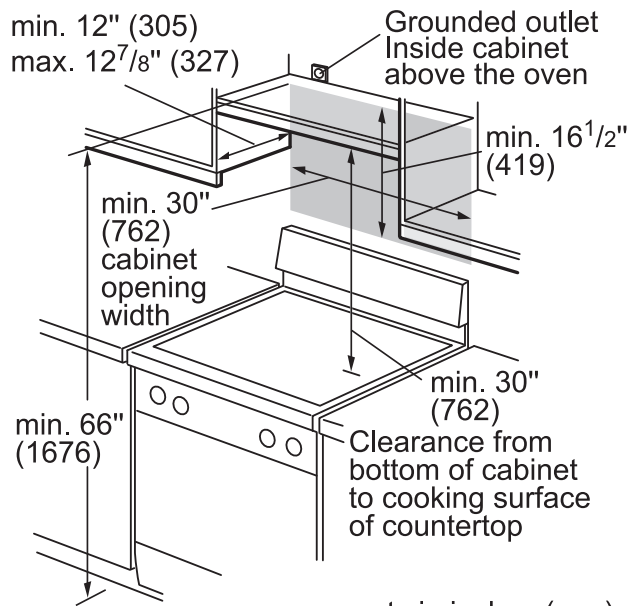
Invented for life



Installation Details

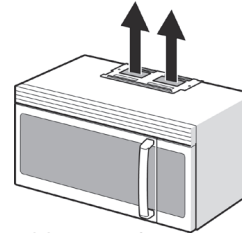


Measurements in inches (mm)

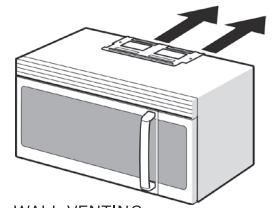


measurements in inches (mm)

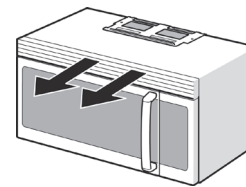
Venting Options



ROOF VENTING



WALL VENTING



ROOM VENTING

Accessories: To purchase Bosch accessories, cleaners & parts please visit www.bosch-home.com/us/store or call 1-800-944-2904 (Mon to Fri 5 am to 6 pm PST, Sat 6 am to 3 pm PST).

Notes: All height, width and depth dimensions are shown in inches. BSH reserves the absolute and unrestricted right to change product materials and specifications, at any time, without notice. Consult the product's installation instructions for final dimensional data and other details prior to making cutout.

Warranties: Please see Use & Care manual or Bosch website for statement of limited warranty.

For more information on our entire line of products, go to www.bosch-home.com/us or call 1-800-944-2904

© BSH Home Appliances Corporation. All rights reserved. Bosch is a registered trademark of Robert Bosch GmbH.