

# 24" Scoop Handle Dishwasher

300 Series – Black SHSM63W56N



**SHSM63W56N**  
Black

Also available in:

Stainless Steel SHSM63W55N  
White SHSM63W52N

**The 3rd rack provides the perfect space for silverware and large utensils while its V shape leaves room below for taller items.**

## Features & Benefits

44 dBA: dishwasher runs quietly so your kitchen conversations aren't interrupted.

With PrecisionWash®, intelligent sensors and precision spray arms target every item of every load, so dishes come out sparkling clean every time.

The AquaStop® leak protection system contains leaks through a precisely engineered system. If a leak occurs, the system contains it by shutting down operation and pumping out water. So you have the ultimate peace of mind whether you are away or at home.



## General Properties

|                                 |                              |
|---------------------------------|------------------------------|
| Number of wash cycles           | 5                            |
| Number of options               | 4                            |
| dBA                             | 44                           |
| Drying system                   | PureDry®                     |
| Third rack                      | Standard 3rd Rack            |
| Rack adjustability              | Rackmatic®                   |
| Tub material                    | Stainless Steel              |
| Control type                    | Buttons                      |
| Concealed water heating element | Yes                          |
| Leak protection system          | 24/7 AquaStop®               |
| NSF®-certified* sanitize option | Yes                          |
| Water softener                  | No                           |
| Five-level wash                 | Yes                          |
| ChildLock                       | No                           |
| Special features                | InfoLight®, Extra Dry Option |

## Efficiency

|                                       |       |
|---------------------------------------|-------|
| Water usage per cycle                 | 3.5   |
| ENERGY STAR® certified                | No    |
| Total annual energy consumption (kWh) | 269   |
| Total annual water consumption (g)    | 623.5 |

## Capacity

|                          |    |
|--------------------------|----|
| Number of place settings | 16 |
|--------------------------|----|

## Technical Details

|   |                           |
|---|---------------------------|
| Watts (W)   | 1440 W                    |
| Current (A)   | 12 Amps                   |
| Volts (V)   | 120 V                     |
| Frequency (Hz)  | 60 Hz                     |
| Power cord full length  | 67"                       |
| Power cord install length from edge of unit when facing the door (in)** | Left – 45"<br>Right – 56" |
| Minimum water pressure (lb/sin)   | 14                        |
| Length outlet hose (in)   | 79"                       |

## Dimensions & Weight

|   |                              |
|---|------------------------------|
| Overall appliance dimensions (HxWxD) (in) | 33 7/8" x 23 9/16" x 23 3/4" |
| Required cutout size (HxWxD) (in)         | 33 7/8" x 23 5/8" x 24"      |
| Adjustable feet                           | Yes                          |
| Net weight (lbs)                          | 91 lbs                       |

## Accessories—Optional

|  |            |
|--|------------|
| Junction Box                                 | SMZPCJB1UC |
| Bosch Dishwasher Water Supply Hose           | SMZSH002UC |
| Drain Hose Extension Kit                     | SGZ1010UC  |
| Dishwasher Accessory Kit                     | SMZ5000    |
| Anti-Tarnish Silverware Cassette             | SMZ5002UC  |
| Edge Protector + Power Cord Clip Install Kit | SMZEPCC1UC |

\*Certification to NSF/ANSI Standard 184 for residential dishwashers

\*\*September 2020 running production change to remove adhesive routing clips for power cord. These clips and the edge protector are now included in the dishwasher accessory kit # SMZEPCC1UC.

**Accessories:** To purchase Bosch accessories, cleaners & parts please visit [www.bosch-home.com/us/store](http://www.bosch-home.com/us/store) or call 1-800-944-2904 (Mon to Fri 5 am to 6 pm PST, Sat 6 am to 3 pm PST).

**Notes:** All height, width and depth dimensions are shown in inches. BSH reserves the absolute and unrestricted right to change product materials and specifications, at any time, without notice. Consult the product's installation instructions for final dimensional data and other details prior to making cutout.

**Warranties:** Please see Use & Care manual or Bosch website for statement of limited warranty.

**For more information on our entire line of products, go to [www.bosch-home.com/us](http://www.bosch-home.com/us) or call 1-800-944-2904**

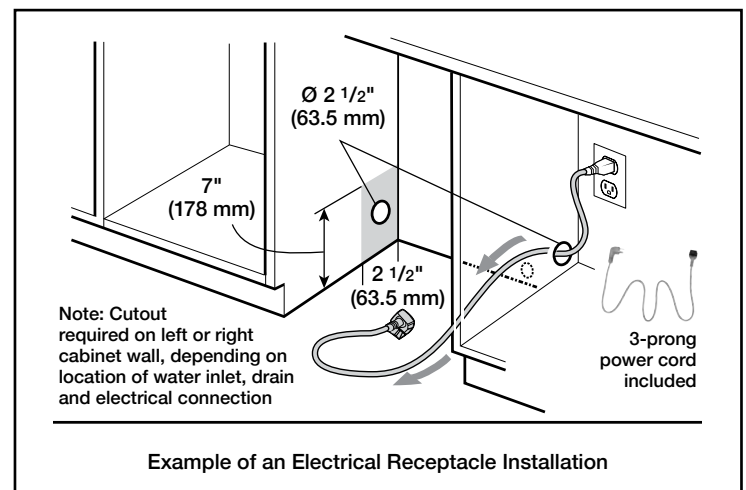
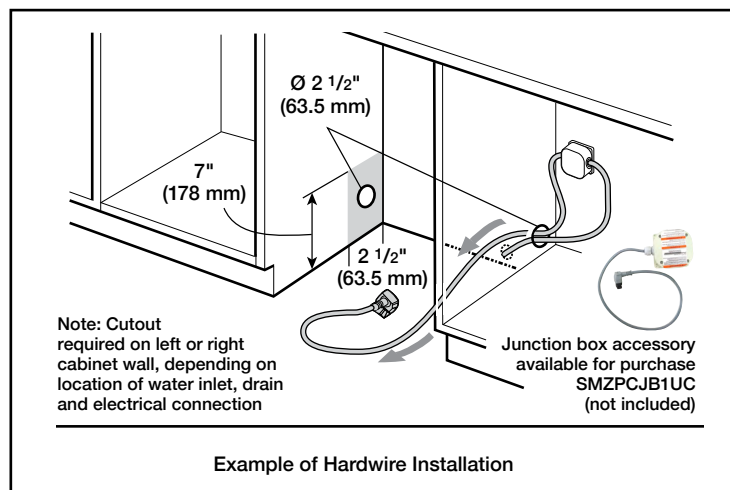
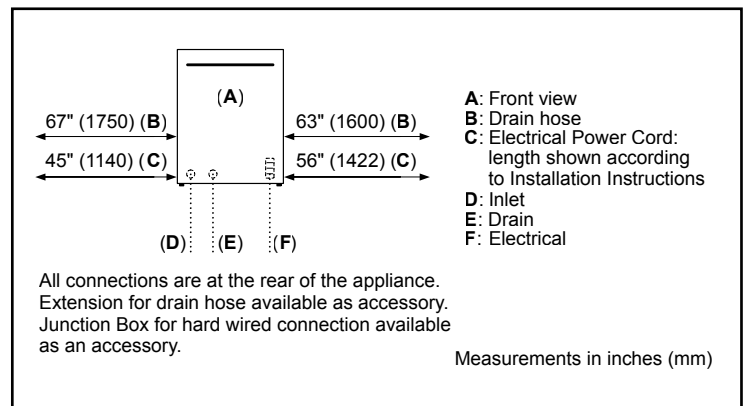
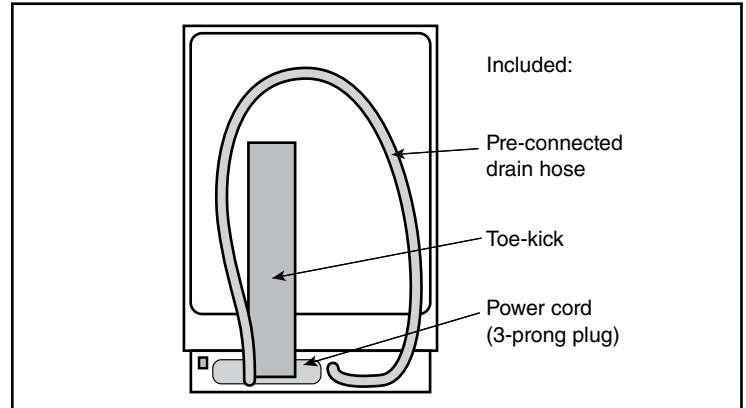
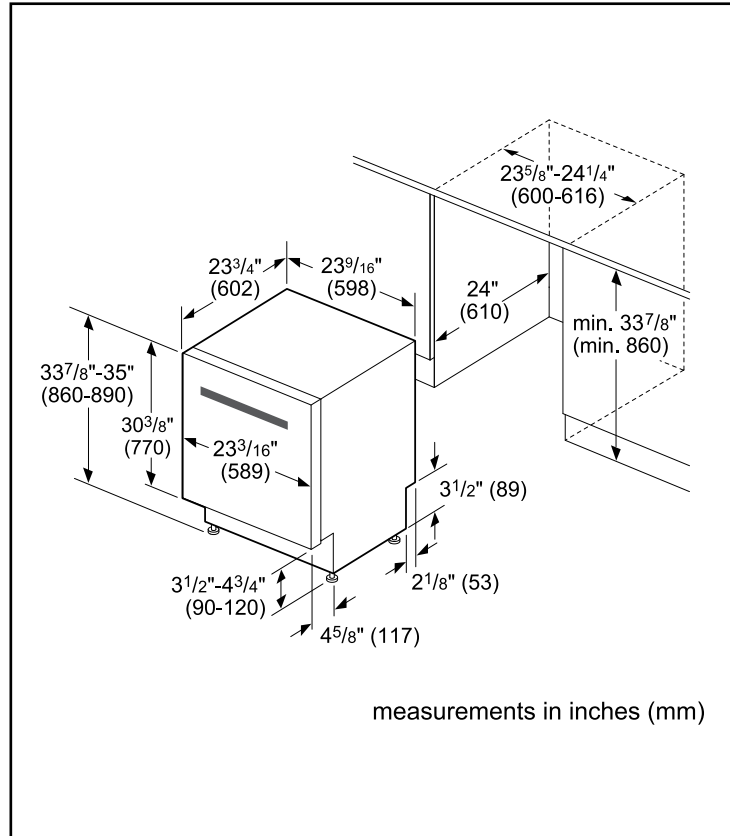
© BSH Home Appliances Corporation. All rights reserved. Bosch is a registered trademark of Robert Bosch GmbH.

# 24" Scoop Handle Dishwasher

300 Series – Black SHSM63W56N



## Installation Details



**Accessories:** To purchase Bosch accessories, cleaners & parts please visit [www.bosch-home.com/us/store](http://www.bosch-home.com/us/store) or call 1-800-944-2904 (Mon to Fri 5 am to 6 pm PST, Sat 6 am to 3 pm PST).

**Notes:** All height, width and depth dimensions are shown in inches. BSH reserves the absolute and unrestricted right to change product materials and specifications, at any time, without notice. Consult the product's installation instructions for final dimensional data and other details prior to making cutout.

**Warranties:** Please see Use & Care manual or Bosch website for statement of limited warranty.

**For more information on our entire line of products, go to [www.bosch-home.com/us](http://www.bosch-home.com/us) or call 1-800-944-2904**

© BSH Home Appliances Corporation. All rights reserved. Bosch is a registered trademark of Robert Bosch GmbH.

# 24" Scoop Handle Dishwasher

300 Series – Black SHSM63W56N

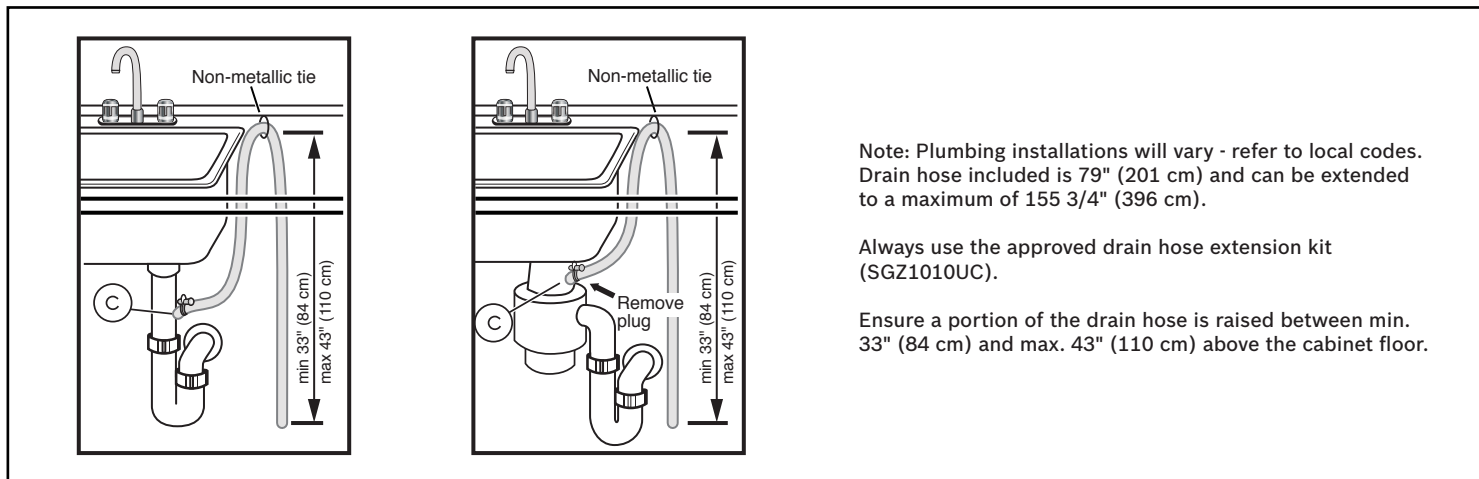


**BOSCH**

Invented for life



## Installation Details



**Accessories:** To purchase Bosch accessories, cleaners & parts please visit [www.bosch-home.com/us/store](http://www.bosch-home.com/us/store) or call 1-800-944-2904 (Mon to Fri 5 am to 6 pm PST, Sat 6 am to 3 pm PST).

**Notes:** All height, width and depth dimensions are shown in inches. BSH reserves the absolute and unrestricted right to change product materials and specifications, at any time, without notice. Consult the product's installation instructions for final dimensional data and other details prior to making cutout.

**Warranties:** Please see Use & Care manual or Bosch website for statement of limited warranty.

**For more information on our entire line of products, go to [www.bosch-home.com/us](http://www.bosch-home.com/us) or call 1-800-944-2904**

© BSH Home Appliances Corporation. All rights reserved. Bosch is a registered trademark of Robert Bosch GmbH.