

30" Warming Drawer

500 Series – Stainless Steel HWD5051UC



HWD5051UC
Stainless Steel

The warming drawer keeps meals hot and is designed to match the perfectly flush fit of a Bosch wall, speed or steam oven.

Features & Benefits

The warming drawer has 3 settings to keep meals hot and ready to serve.

Installs vertically under Bosch speed, steam or wall oven.

Matches Bosch built-in products. Install either flush or proud.

General Properties

Power levels	High, low, medium
Dough proofing mode	Yes
Temperature range	100°-190° F
Timer 5 min.- 5 hours	Yes
Automatic shut off after 1 hour	Yes
Door opening	Push to Open
Hinges	Ball bearing hinges
Wattage heating element	450W
Control type	Illuminated TouchControl

Capacity

Cavity capacity	2.2 cu. ft.
-----------------	-------------

Technical Details

Watts	450 W
Circuit breaker	15 A
Volts	120 V
Frequency	60 Hz
Power cord length	84"
Plug type	120V-3 prong

Dimensions & Weight

Overall appliance dimensions (HxWxD)	9 7/16" x 29 3/4" x 23 1/2"
Required cutout size (HxWxD)	9 1/4" x 28 1/2" x 23 1/2"
Net weight	55 lbs

Accessories—Included

Installation brackets	Installation brackets to install drawer below speed or steam oven in one cut out (identical to single wall oven cut out). Products still need to be hooked up individually.
-----------------------	---



Accessories: To purchase Bosch accessories, cleaners & parts please visit www.bosch-home.com/us/store or call 1-800-944-2904 (Mon to Fri 5 am to 6 pm PST, Sat 6 am to 3 pm PST).

Notes: All height, width and depth dimensions are shown in inches. BSH reserves the absolute and unrestricted right to change product materials and specifications, at any time, without notice. Consult the product's installation instructions for final dimensional data and other details prior to making cutout.

Warranties: Please see Use & Care manual or Bosch website for statement of limited warranty.

For more information on our entire line of products, go to www.bosch-home.com/us or call 1-800-944-2904

© BSH Home Appliances Corporation. All rights reserved. Bosch is a registered trademark of Robert Bosch GmbH.

30" Warming Drawer

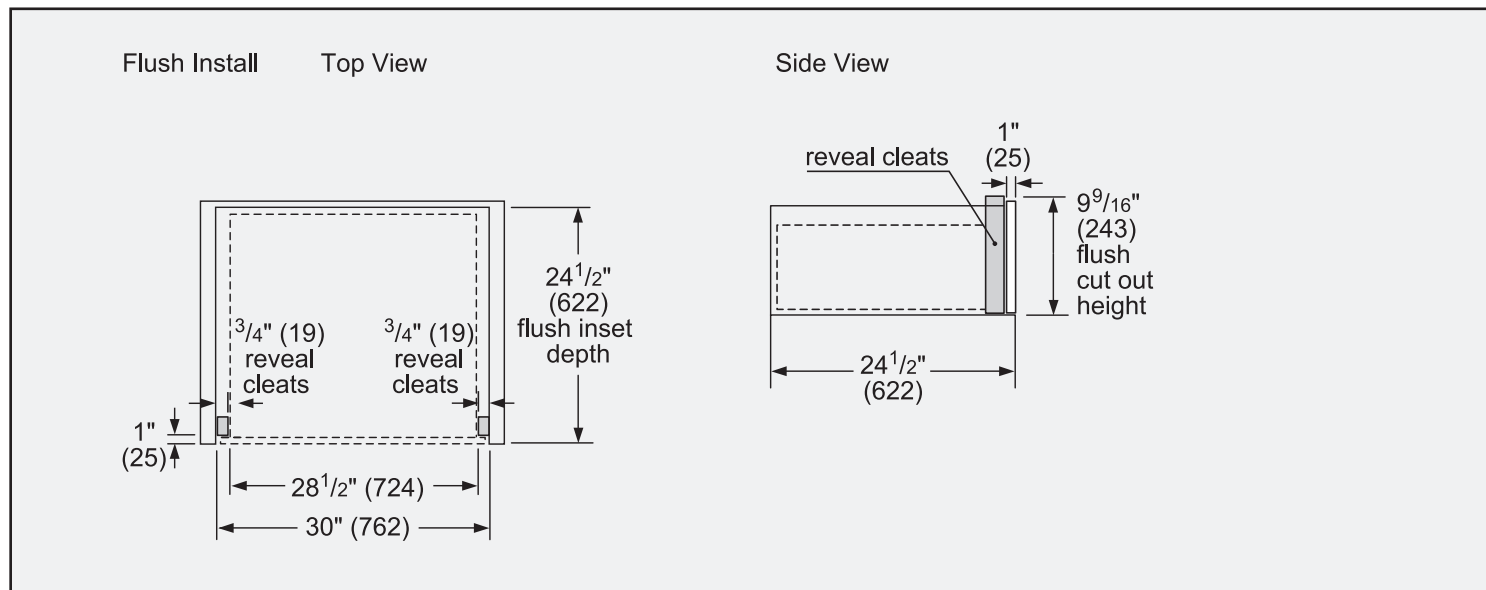
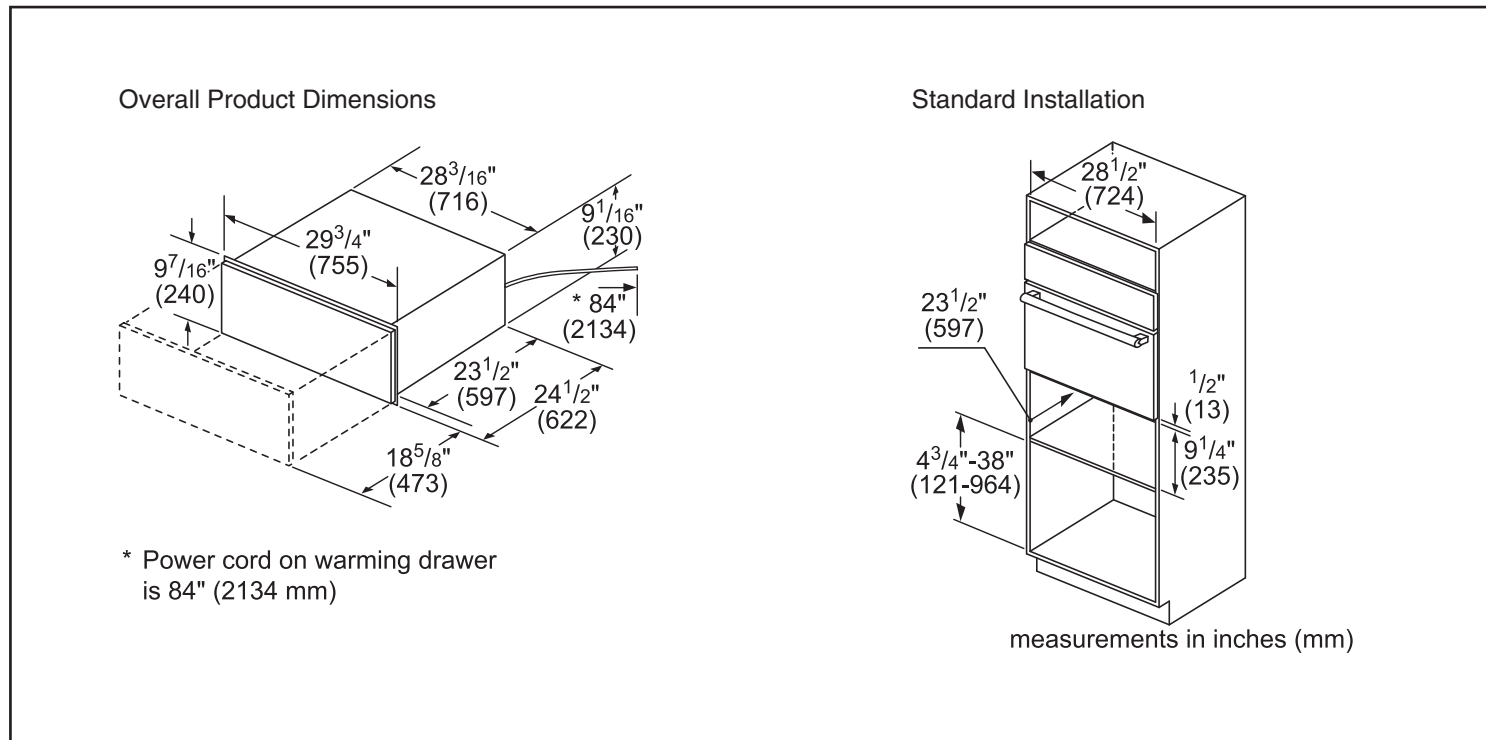
500 Series – Stainless Steel HWD5051UC



BOSCH

Invented for life

Installation Details



Accessories: To purchase Bosch accessories, cleaners & parts please visit www.bosch-home.com/us/store or call 1-800-944-2904 (Mon to Fri 5 am to 6 pm PST, Sat 6 am to 3 pm PST).

Notes: All height, width and depth dimensions are shown in inches. BSH reserves the absolute and unrestricted right to change product materials and specifications, at any time, without notice. Consult the product's installation instructions for final dimensional data and other details prior to making cutout.

Warranties: Please see Use & Care manual or Bosch website for statement of limited warranty.

For more information on our entire line of products, go to www.bosch-home.com/us or call 1-800-944-2904

© BSH Home Appliances Corporation. All rights reserved. Bosch is a registered trademark of Robert Bosch GmbH.

30" Warming Drawer

500 Series – Stainless Steel HWD5051UC



BOSCH

Invented for life

Installation Details

Standard Installation
30" Single Oven over Storage or Warming Drawer

* Wall oven junction box may be located above or right or left of the unit within reach of the power conduit.
** Electrical hook up may be located below (depending on space) or next to the drawer within the reach of the power cord.

minimum 3/4" (18mm) required between cutouts

measurements in inches (mm)

Flush Installation
Single Oven over Storage or Warming Drawer

Side View

Single Wall Oven

* IMPORTANT: base has to be able to support oven weight. Please check oven manual for minimum weight requirements.

minimum 1/2" (13) required between cutouts*

Warming Drawer

measurements in inches (mm)

Standard Installation
30" Double Oven over Storage or Warming Drawer

minimum 3/4" (18mm) required between cutouts

measurements in inches (mm)

* Wall oven junction box may be located above or right or left of the unit within reach of the power conduit.
** Electrical hook up may be located below (depending on space) or next to the drawer within the reach of the power cord.

Flush Installation
Double Oven over Storage or Warming Drawer

Side View

Double Wall Oven

* IMPORTANT: base has to be able to support oven weight. Please check oven manual for minimum weight requirements.

minimum 1/2" (13) required between cutouts*

Warming Drawer

measurements in inches (mm)

Accessories: To purchase Bosch accessories, cleaners & parts please visit www.bosch-home.com/us/store or call 1-800-944-2904 (Mon to Fri 5 am to 6 pm PST, Sat 6 am to 3 pm PST).

Notes: All height, width and depth dimensions are shown in inches. BSH reserves the absolute and unrestricted right to change product materials and specifications, at any time, without notice. Consult the product's installation instructions for final dimensional data and other details prior to making cutout.

Warranties: Please see Use & Care manual or Bosch website for statement of limited warranty.

For more information on our entire line of products, go to www.bosch-home.com/us or call 1-800-944-2904

© BSH Home Appliances Corporation. All rights reserved. Bosch is a registered trademark of Robert Bosch GmbH.

30" Warming Drawer

500 Series – Stainless Steel HWD5051UC



BOSCH
Invented for life

Installation Details

Standard Installation
Steam or Speed Oven Over Drawer

* For installation into a wall cabinet, the receptacle may be installed above, below, or to the left or right of the unit within range of the power cord.

Flush Installation
Steam or Speed Oven Over Drawer

Side View

Measurements in inches (mm)

Standard Installation
Combination Oven over Storage or Warming Drawer

measurements in inches (mm)

* Wall oven junction box may be located above or right or left of the unit within reach of the power conduit.

**Electrical hook up may be located below (depending on space) or next to the drawer within the reach of the power cord.

Flush Installation
Combination Oven over Storage or Warming Drawer

Side View

measurements in inches (mm)

* IMPORTANT: base has to be able to support oven weight. Please check oven manual for minimum weight requirements.

Accessories: To purchase Bosch accessories, cleaners & parts please visit www.bosch-home.com/us/store or call 1-800-944-2904 (Mon to Fri 5 am to 6 pm PST, Sat 6 am to 3 pm PST).

Notes: All height, width and depth dimensions are shown in inches. BSH reserves the absolute and unrestricted right to change product materials and specifications, at any time, without notice. Consult the product's installation instructions for final dimensional data and other details prior to making cutout.

Warranties: Please see Use & Care manual or Bosch website for statement of limited warranty.

For more information on our entire line of products, go to www.bosch-home.com/us or call 1-800-944-2904

© BSH Home Appliances Corporation. All rights reserved. Bosch is a registered trademark of Robert Bosch GmbH.

30" Warming Drawer

500 Series – Stainless Steel HWD5051UC



BOSCH
Invented for life

Installation Details

Bosch Side-By-Side Built-In Oven Approved Combination Guide

Single ovens, microwaves, speed ovens, and drawers approved by BSH Home Appliances Corporation to be installed in combination.

IMPORTANT: When installing an oven in combination, a minimum distance between the ovens is required. Refer to the oven installation manual for all other measurements.

Do not install a self-cleaning oven beside another self-cleaning oven.

Appliances that are not listed must be approved under local codes and/or by the local authority having jurisdiction. For the latest updates to the approved combination, refer to the website listed in your appliance's installation instructions.

APPROVED COMBINATIONS

Conventional Ovens	Built-in Microwaves	Steam Ovens	Speed Ovens	Warming Drawer
HBLxxx1RUC, HBLxxx4RUC, HBLxxx1LUC, HBLxxx4LUC, HBLxxx1UC, HBLxxx3UC, HBLxxx4UC, HBNxxx1UC, HBLxxx3T	HMB50152UC	HSLP451UC	HMC80152UC, HMC80252UC, HMC80242UC, HMCP0252UC	HWD5051UC
Coffee maker with trim kit				
BCM8450UC + HEZCMT3050				

Refer to product installation instructions.

The suitability of the following combination has been evaluated by CSA.

Conventional Ovens	Steam Ovens	Warming Drawer
HBLxxx1RUC, HBLxxx4RUC, HBLxxx1LUC, HBLxxx4LUC, HBLxxx1UC, HBLxxx3UC, HBLxxx4UC, HBNxxx1UC, HBLxxx3T	HSLP451UC	HWD5051UC

Refer to product installation instructions.

Configuration	Left Oven Type	Middle Oven Type	Right Oven Type
Side-by-side-by-side 1	Conventional oven	Steam/speed/microwave	Conventional oven
Side-by-side-by-side 2	Steam, speed, or microwave	Conventional oven**	Steam, speed, or microwave

** Bottom hinge door models only. Side hinge door not recommended.

Accessories: To purchase Bosch accessories, cleaners & parts please visit www.bosch-home.com/us/store or call 1-800-944-2904 (Mon to Fri 5 am to 6 pm PST, Sat 6 am to 3 pm PST).

Notes: All height, width and depth dimensions are shown in inches. BSH reserves the absolute and unrestricted right to change product materials and specifications, at any time, without notice. Consult the product's installation instructions for final dimensional data and other details prior to making cutout.

Warranties: Please see Use & Care manual or Bosch website for statement of limited warranty.

For more information on our entire line of products, go to www.bosch-home.com/us or call 1-800-944-2904

© BSH Home Appliances Corporation. All rights reserved. Bosch is a registered trademark of Robert Bosch GmbH.

30" Warming Drawer

500 Series – Stainless Steel HWD5051UC

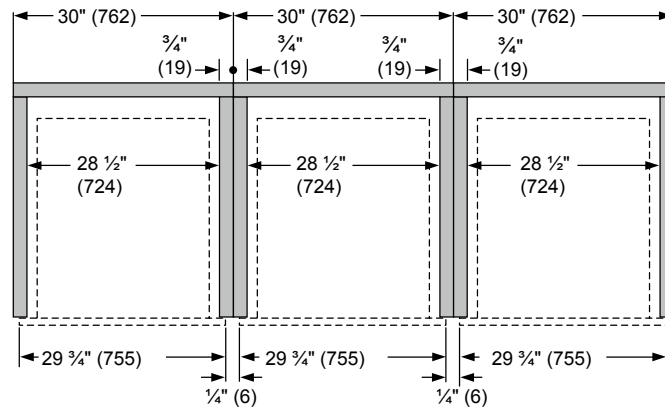


BOSCH
Invented for life

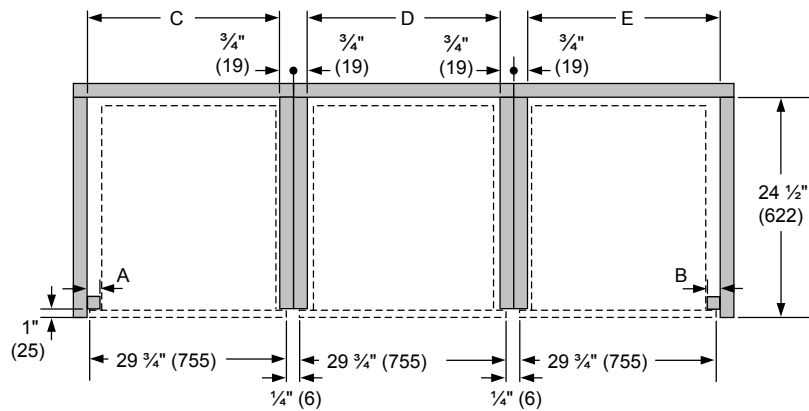


Installation Details

Standard
side-by-side-by-side
installation



Flush
side-by-side-by-side
installation



Combination type	A Left reveal cleat	B Right reveal cleat	C Cutout width	D Cutout width	E Cutout width
Flush bottom hinge door	3/4" (19)	3/4" (19)	29 3/4" (743)	29 3/4" (743)	28 1/2" (724)
Flush left hinge door	1 1/2" (38)	*N/A	30" (762)	*N/A	*N/A
Flush right hinge door	*N/A	1 1/2" (38)	*N/A	30" (762)	*N/A

*Installation not recommended.

Accessories: To purchase Bosch accessories, cleaners & parts please visit www.bosch-home.com/us/store or call 1-800-944-2904 (Mon to Fri 5 am to 6 pm PST, Sat 6 am to 3 pm PST).

Notes: All height, width and depth dimensions are shown in inches. BSH reserves the absolute and unrestricted right to change product materials and specifications, at any time, without notice. Consult the product's installation instructions for final dimensional data and other details prior to making cutout.

Warranties: Please see Use & Care manual or Bosch website for statement of limited warranty.

For more information on our entire line of products, go to www.bosch-home.com/us or call 1-800-944-2904

© BSH Home Appliances Corporation. All rights reserved. Bosch is a registered trademark of Robert Bosch GmbH.