

# Benvenuto<sup>®</sup> Built-in Coffee Machine

Stainless Steel TKN68E75UC



**TKN68E75UC**  
Stainless Steel

The Bosch Benvenuto<sup>®</sup> works equally well with whole beans or preground coffee. Choose the exact size and strength of beverage.

## Features & Benefits

Freshly brewed coffee and espresso at the push of a button.

Separate container for second ground coffee flavor or decaf.

Removable water tank for easy filling (1/2 gallon).

Steam and hot water function.

12 cup sizes and levels of coffee strength (grind quantity) – smooth to super strong.

## General Properties

Modes	Espresso, Coffee, Water, Steam, Clean, Descaling
Settings	One or Two Cups, Cup Size, Coffee Strength, Grind Adjustment
Programming	Language, Water Hardness, Filter, Temperature, Current Time, Timer Function, Energy Saving Mode

## Technical Details

Watts (W)	1,300 W
Circuit Breaker (A)	15 A
Current (A)	10 A
Volts (V)	120 V
Frequency (Hz)	60 Hz
Power cord length (in)	40"
Plug type	NEMA 5-15R, 2-Pole 3-Wire Grounding
Energy source	Electric
Pump Pressure (bar)	215 psi (15 bar)
Capacity of Water Container	1/2 gal.

## Dimensions & Weight

Overall appliance dimensions (HxWxD) (in)	23 3/8" W x 18 1/16" H x 21" D
Required gap between wall and base of the unit or the rear panel (in)	1 3/4"
Net weight (lbs)	80 lbs



For help and assistance with Bosch accessories please visit: [www.bosch-eshop.com/eshop/bosch/us](http://www.bosch-eshop.com/eshop/bosch/us) or call 1-800-944-2904 Mon-Fri 5am to 6pm PST Sat 6am to 3pm PST

Notes: All height, width and depth dimensions are shown in inches. BSH reserves the absolute and unrestricted right to change product materials and specifications, at any time, without notice. Consult the product's installation instructions for final dimensional data and other details prior to making cutout. Applicable product warranty can be found in accompanying product literature or you may contact your account manager for further details.

Warranties: Bosch warrants that the Product is free from defects in materials and workmanship for a period of three hundred and sixty-five (365) days from the date of purchase. The foregoing timeline begins to run upon the date of purchase, and shall not be stalled, tolled, extended, or suspended, for any reason whatsoever. This Product is also warranted to be free from cosmetic defects in material and workmanship (such as scratches of stainless steel, paint/porcelain blemishes, chip, dents, or other damage) to the finish of the Product, for a period of thirty (30) days from the date of purchase or closing date for new construction. This cosmetic warranty excludes slight color variations due to inherent differences in painted and porcelain parts, as well as differences caused by kitchen lighting, product location, or other similar factors. This cosmetic warranty specifically excludes any display, floor, "As Is", or "B" stock appliances.

For more information on our entire line of products, go to [www.bosch-home.com/us](http://www.bosch-home.com/us) or call 1-800-944-2904

© BSH Home Appliances Corporation. All rights reserved. Bosch is a registered trademark of Robert Bosch GmbH.

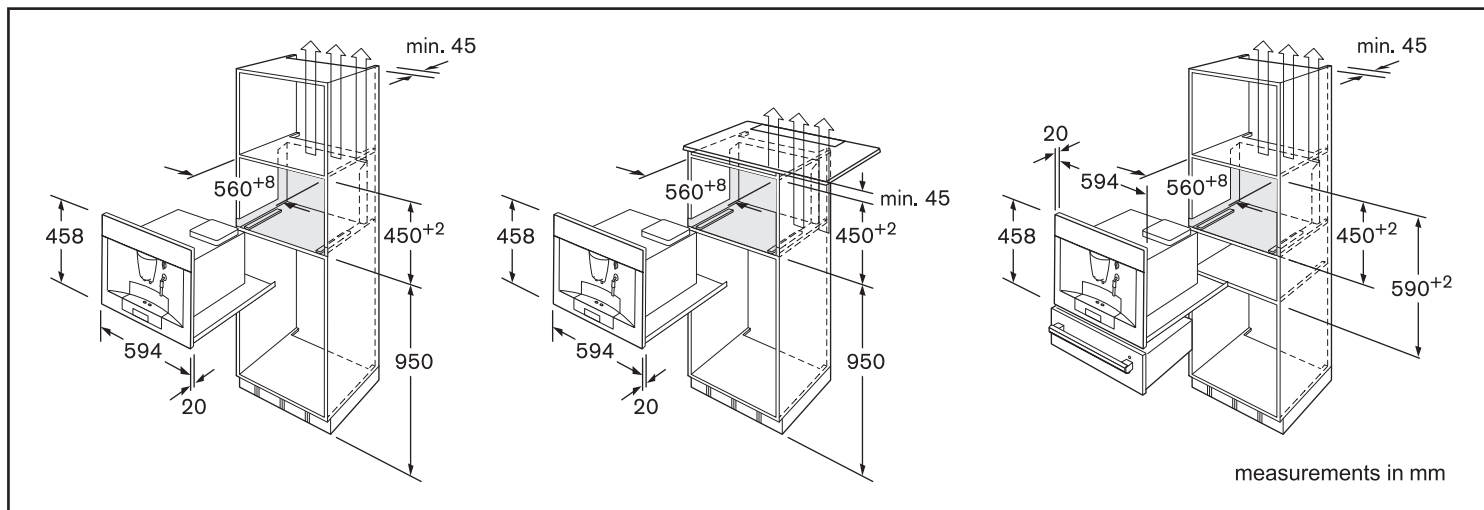
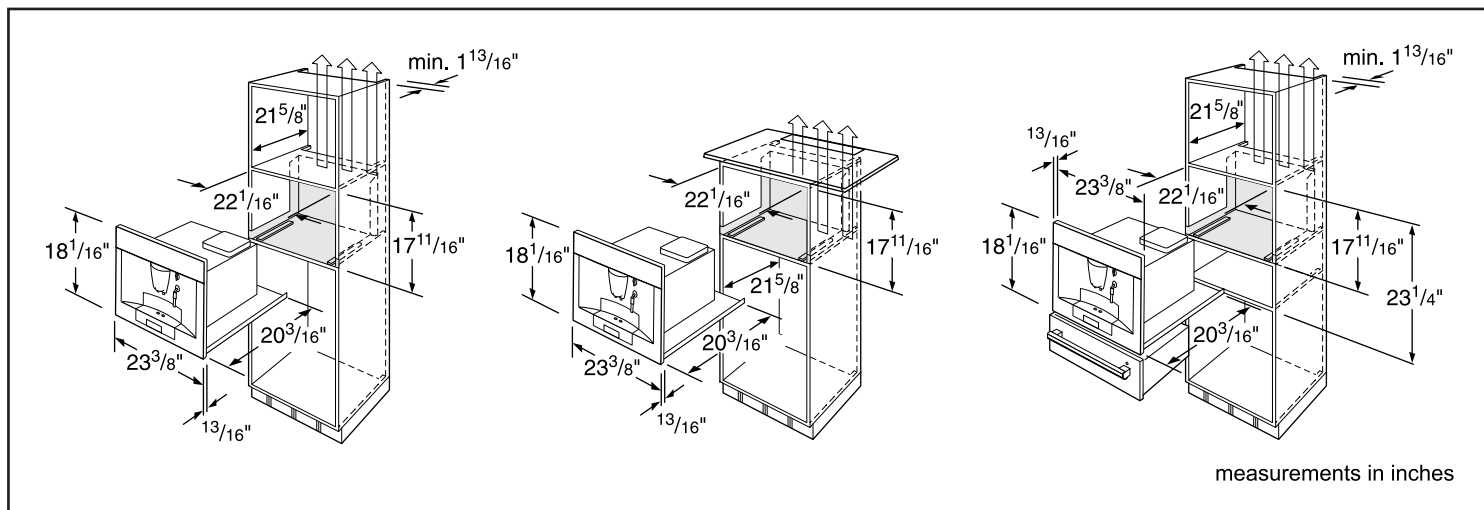
09/15

# Benvenuto® Built-in Coffee Machine

Stainless Steel TKN68E75UC



## Installation Details



For help and assistance with Bosch accessories please visit: [www.bosch-eshop.com/eshop/bosch/us](http://www.bosch-eshop.com/eshop/bosch/us) or call 1-800-944-2904 Mon-Fri 5am to 6pm PST Sat 6am to 3pm PST

Notes: All height, width and depth dimensions are shown in inches. BSH reserves the absolute and unrestricted right to change product materials and specifications, at any time, without notice. Consult the product's installation instructions for final dimensional data and other details prior to making cutout. Applicable product warranty can be found in accompanying product literature or you may contact your account manager for further details.

Warranties: Bosch warrants that the Product is free from defects in materials and workmanship for a period of three hundred and sixty-five (365) days from the date of purchase. The foregoing timeline begins to run upon the date of purchase, and shall not be stalled, tolled, extended, or suspended, for any reason whatsoever. This Product is also warranted to be free from cosmetic defects in material and workmanship (such as scratches of stainless steel, paint/porcelain blemishes, chip, dents, or other damage) to the finish of the Product, for a period of thirty (30) days from the date of purchase or closing date for new construction. This cosmetic warranty excludes slight color variations due to inherent differences in painted and porcelain parts, as well as differences caused by kitchen lighting, product location, or other similar factors. This cosmetic warranty specifically excludes any display, floor, "As Is", or "B" stock appliances.

For more information on our entire line of products, go to [www.bosch-home.com/us](http://www.bosch-home.com/us) or call 1-800-944-2904

© BSH Home Appliances Corporation. All rights reserved. Bosch is a registered trademark of Robert Bosch GmbH.

09/15