

ΕΚΘΕΣΙΑΚΟ ΚΕΝΤΡΟ BOSCH

Αθήνα: 17ο χλμ. Εθνικής Οδού Αθηνών-Λαμίας και Ποταμού 20, 145 64 Κηφισιά

Service και εξυπηρέτηση πελατών

Τηλέφωνο: **210 4277500**

Διευθύνσεις:

Αθήνα: 17ο χλμ. Εθνικής Οδού Αθηνών-Λαμίας και Ποταμού 20, 145 64 Κηφισιά

Θεσσαλονίκη: Οδός Χάλκης Πατριαρχικό Πυλαίας, 570 01 Πυλαία, Τ.Θ. 60017 Θέρμη

Πάτρα: Χαραλάμπη 57, 262 24 Ψηλά Αλώνια

Κρήτη: Λεωφόρος Εθνικής Αντιστάσεως 23, 713 06 Ηράκλειο

Κύπρος: Αρχ. Μακαρίου Γ'39, Έγκωμη, Λευκωσία, Παγκύπριο τηλέφωνο: 7777 8007

bosch-home.gr



9001967680 (040808) en,
el

Τηρούμε το δικαίωμα αλλαγών



el Οδηγίες χρήσης

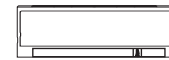
ASI09DW40	ASO09DW40
ASI12DW40	ASO12DW40
ASI09DW30	ASO09DW30
ASI12DW30	ASO12DW30
ASI18DW30	ASO18DW30
ASI24DW30	ASO24DW30
ASI09AW40	ASO09AW40
ASI12AW40	ASO12AW40
ASI09AW30	ASO09AW30
ASI12AW30	ASO12AW30
ASI18AW30	ASO18AW30
ASI24AW30	ASO24AW30

Τηλεχειριστήριο AC / Remote control AC

CONTENTS

Handling the remote controller	2
Remote controller Specifications.....	3
Function buttons	5
Indicators on LCD	7
How to use the buttons	8
Auto operation.....	8
Cooling/Heating/Fan operation.....	8
Dehumidifying operation	9
Adjusting air flow direction.....	9
Timer operation.....	10
SLEEP/FRESH function.....	13
LED/FOLLOW ME function	14
TURBO/SELF CLEAN function	14

Handling the remote controller



Location of the remote controller.

- Use the remote controller within a distance of 8 meters from the appliance, pointing it towards the receiver. Reception is confirmed by a beep.

CAUTIONS

- The air conditioner will not operate if curtains, doors or other materials block the signals from the remote controller to the indoor unit.
- Prevent any liquid from falling into the remote controller. Do not expose the remote controller to direct sunlight or heat.
- If the infrared signal receiver on the indoor unit is exposed to direct sunlight, the air conditioner may not function properly. Use curtains to prevent the sunlight from falling on the receiver.
- If other electrical appliances react to the remote controller, either move these appliances or consult your local dealer.

Replacing batteries

The remote controller is powered by two dry batteries(R03/LR03X2) housed in the rear part and protected by a cover.

- (1) Remove the cover by pressing and sliding off.
- (2) Remove the old batteries and insert the new batteries, placing the(+) and (-) ends correctly.
- (3) Reattach the cover by sliding it back into position.

NOTE: When the batteries are removed, the remote controller erases all programming. After inserting new batteries, the remote controller must be reprogrammed.

CAUTIONS

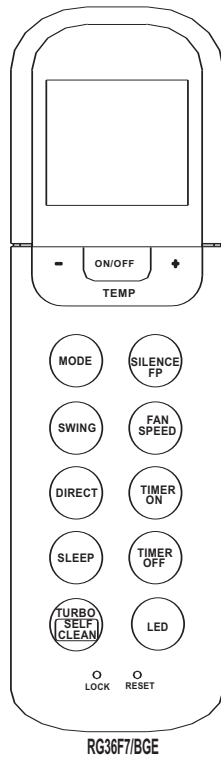
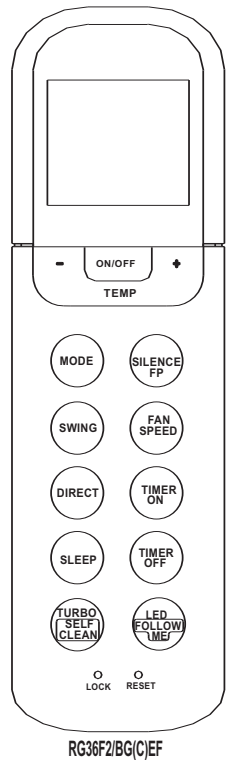
- Do not mix old and new batteries or batteries of different types.
- Do not leave the batteries in the remote controller if they are not going to be used for 2 or 3 months.
- Do not dispose batteries as unsorted municipal waste. Collection of such waste separately for special treatment is necessary.

Remote Controller Specifications

Model	RG36F2/BG(C)EF, RG36F7/BGE.
Rated Voltage	3.0V(Dry batteries R03/LR03×2)
Signal Receiving Range	8m
Environment	-5°C~60°C

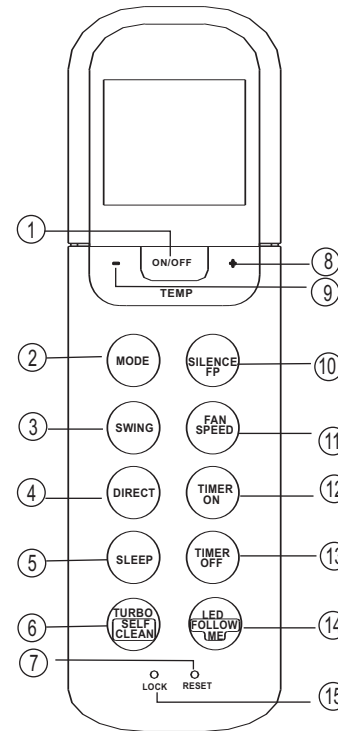
Performance Feature

1. Operating Mode: AUTO, COOL, DRY, HEAT(enabled on cooling & heating models only) and FAN.
2. Timer Setting Function in 24 hours.
3. Indoor Setting Temperature Range : 17°C~30°C.
4. Full function of LCD (Liquid Crystal Display).



3

Function buttons



NOTE: Follow ME button is not available for model RG36F7/BGE.

NOTE:

- Buttons design might be slightly different from the actual one you purchased depending on individual models.
- All the functions described are accomplished by the indoor unit. If the indoor unit has no this feature, there is no corresponding operation happened when press the relative button on the remote controller.

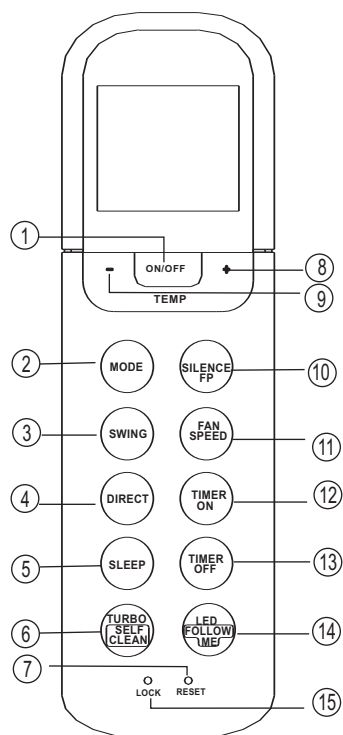
- 1 ON/OFF Button**
Operation starts when this button is pressed and stops when this button is pressed again.
- 2 MODE Button**
Each time the button is pressed, the operation mode is selected in a sequence of following:

NOTE: Heat mode is for Cooling & Heating models only.

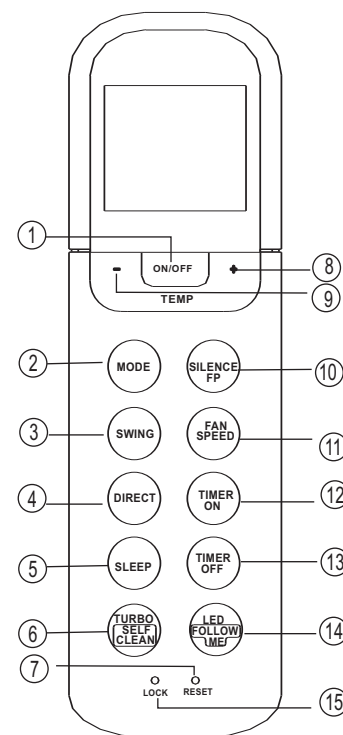
- 3 SWING Button**
Used to stop or start horizontal louver auto swing feature.
- 4 DIRECT Button**
Used to change the louver movement and set the desired up/down air flow direction. The louver changes 6° in angle for each press.
- 5 SLEEP Button**
Active/Disable SLEEP function.
NOTE: While the unit is running under SLEEP mode, it would be cancelled if press the MODE, FAN SPEED or ON/OFF button.
- 6 TURBO/SELF CLEAN Button:**
Active/Disable TURBO function. If pushing more than 2 seconds, the 'SELF CLEAN' function will be activated, pushing more than 2 seconds again to disable.

4

Function buttons



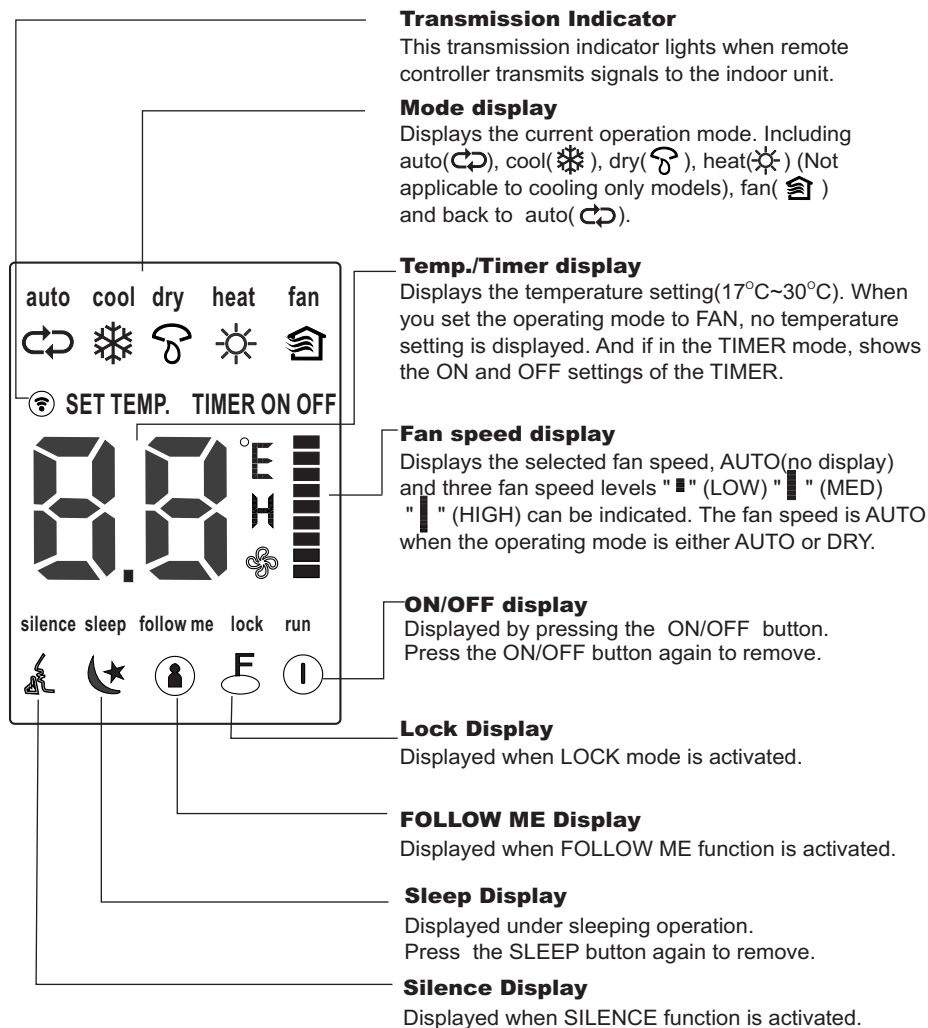
- 7 RESET Button:**
When you press the recessed RESET button, all current settings are cancelled and the control will return to the initial settings.
- 8 UP Button(+)**
Push this button to increase setting temperature or to increase Hour during Timer setting.
- 9 DOWN Button(-)**
Push this button to decrease setting temperature or to decrease Hour during Timer setting.
- 10 SILENCE/FP Button**
- Active/Disable SILENCE function.
 - When the Silence function is activated, the compressor will operate at low frequency and the indoor unit will bring faint breeze, which will reduce the noise to the lowest level and create a quiet and comfortable room for you. Due to low frequency operation of compressor, it may result in insufficient cooling and heating capacity.
 - During the heating operation(only when the setting mode is HEAT),If pushing this button more than 2 seconds, the FP function is activated. The unit will operate at high fan speed with the temperature automatically set to 8°C.The display window of indoor unit will display "FP". For the unit without display area, the Defrost indicator light will be keeping on for 2 seconds, and then be off for 2 seconds by turns. Press ON/OFF,SLEEP, FP, MODE, FAN SPEED, UP, DOWN button while operating will cancel the "FP" function.
- 11 FAN SPEED Button**
Used to select the fan speed in four steps:
┌ AUTO → LOW → MED → HIGH ┐



NOTE: Follow ME button is not available for model RG36F7/BGE.

- 12 TIMER ON Button**
Press this button to initiate the auto-on time sequence. Each press will increase the auto-timed setting in 30 minutes increments. When the setting time displays 10H, each press will increase the auto-timed setting 60 minutes increments. To cancel the auto-timed program, simply adjust the auto-on time to 0.0.
- 13 TIMER OFF Button**
Press this button to initiate the auto-off time sequence. Each press will increase the auto-timed setting in 30 minutes increments. When the setting time displays 10H, each press will increase the auto-timed setting 60 minutes increments. To cancel the auto-timed program, simply adjust the auto-off time to 0.0.
- 14 LED/FOLLOW ME Button**(Follow ME button is not available for RG36F7/BGE)
Disable/Active indoor screen Display. When pushing more than 2 seconds, the 'FOLLOW ME' function will be activated, pushing more than 2 seconds again to disable.
- 15 LOCK Button**
When you press the recessed LOCK button, all current settings are locked in and the remote controller does not accept any operation except that of the LOCK. Press again to cancel the LOCK mode.

Indicators on LCD



Note:

All indicators shown in the figure are for the purpose of clear presentation. But during the actual operation only the relative functional signs are shown on the display window.

How to use the buttons

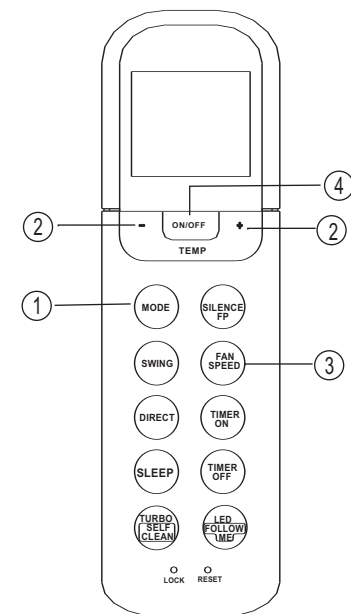
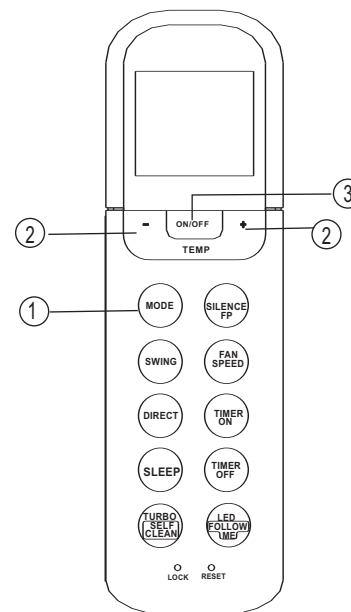
Auto operation

Ensure the unit is plugged in and power is available. The OPERATION indicator on the display panel of the indoor unit starts flashing.

1. Press the **MODE** button to select Auto.
2. Press the **UP/DOWN** button to set the desired temperature. The temperature can be set within a range of 17°C~ 30°C in 1°C increments.
3. Press the **ON/OFF** button to start the air conditioner.

NOTE

1. In the Auto mode, the air conditioner can logically choose the mode of Cooling, Fan, and Heating by sensing the difference between the actual ambient room temperature and the setting temperature on the remote controller.
2. In the Auto mode, you can not switch the fan speed. It has already been automatically controlled.
3. If the Auto mode is not comfortable for you, the desired mode can be selected manually.



Cooling /Heating/Fan operation

Ensure the unit is plugged in and power is available.

1. Press the **MODE** button to select COOL, HEAT(cooling & heating models only) or FAN mode.
2. Press the **UP/DOWN** buttons to set the desired temperature. The temperature can be set within a range of 17°C~ 30°C in 1°C increments.
3. Press the **FAN** button to select the fan speed in four steps- Auto, Low, Med, or High.
4. Press the **ON/OFF** button to start the air conditioner.

NOTE

In the FAN mode, the setting temperature is not displayed in the remote controller and you are not able to control the room temperature either. In this case, only step 1, 3 and 4 may be performed.

Dehumidifying operation

- Ensure the unit is plugged in and power is available. The OPERATION indicator on the display panel of the indoor unit starts flashing.
1. Press the **MODE** button to select DRY mode.
 2. Press the **UP/DOWN** buttons to set the desired temperature. The temperature can be set within a range of 17°C~ 30°C in 1°C increments.
 3. Press the **ON/OFF** button to start the air conditioner.

NOTE

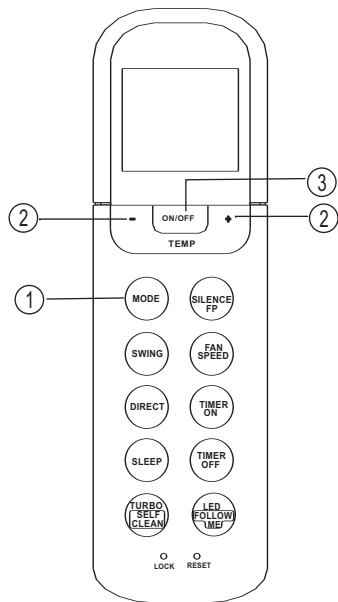
In the Dehumidifying mode, you can not switch the fan speed. It has already been automatically controlled.

Adjusting air flow direction

Use the SWING and DIRECT button to adjust the desired air flow direction.

1. When push the DIRECT button, the horizontal louver changes 6 degree in angle for each push.
2. When push the SWING button, the louver will swing up and down automatically.

NOTE: When the louver swing or move to a position which would affect the cooling or heating effect of the air conditioner, it would automatically change the swing/moving direction.



Timer operation

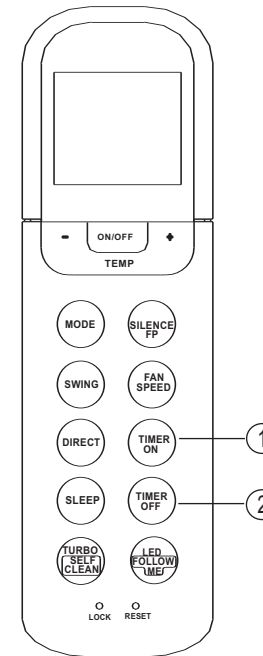
Press the TIMER ON button can set the auto-on time of the unit. Press the TIMER OFF button can set the auto-off time of the unit.

To set the Auto-on time.

1. Press the TIMER ON button. The remote controller shows TIMER ON, the last Auto-on setting time and the signal "h" will be shown on the LCD display area. Now it is ready to reset the Auto-on time to START the operation.
2. Push the TIMER ON button again to set desired Auto-on time. Each time you press the button, the time increases by half an hour between 0 and 10 hours and by one hour between 10 and 24 hours.
3. After setting the TIMER ON, there will be a one second delay before the remote controller transmits the signal to the air conditioner. Then, after approximately another 2 seconds, the signal "h" will disappear and the set temperature will re-appear on the LCD display window.

To set the Auto-off time.

1. Press the TIMER OFF button. The remote controller shows TIMER OFF, the last Auto-off setting time and the signal "h" will be shown on the LCD display area. Now it is ready to reset the Auto-off time to stop the operation.
2. Push the TIMER OFF button again to set desired Auto-off time. Each time you press the button, the time increases by half an hour between 0 and 10 hours and by one hour between 10 and 24 hours.
3. After setting the TIMER OFF, there will be a one second delay before the remote controller transmits the signal to the air conditioner. Then, after approximately another 2 seconds, the signal "h" will disappear and the set temperature will re-appear on the LCD display window.



CAUTION

- The effective operation time set by the remote controller for the timer function is limited to the following settings: 0.5, 1.0, 1.5, 2.0, 2.5, 3.0, 3.5, 4.0, 4.5, 5.0, 5.5, 6.0, 6.5, 7.0, 7.5, 8.0, 8.5, 9.0, 9.5, 10, 11, 12, 13, 14, 15, 16, 17, 18, 19, 20, 21, 22, 23 and 24.

Example of timer setting



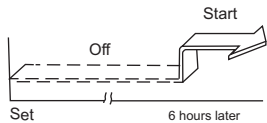
**TIMER ON
(Auto-on Operation)**

The TIMER ON feature is useful when you want the unit to turn on automatically before you return home. The air conditioner will automatically start operating at the set time.

Example:

To start the air conditioner in 6 hours.

1. Press the TIMER ON button, the last setting of starting operation time and the signal "h" will show on the display area.
2. Press the TIMER ON button to display "6:0h" on the TIMER ON display of the remote controller.
3. Wait for 3 seconds and the digital display area will show the temperature again. The "TIMER ON" indicator remains on and this function is activated.



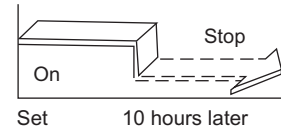
**TIMER OFF
(Auto-off Operation)**

The TIMER OFF feature is useful when you want the unit to turn off automatically after you go to bed. The air conditioner will stop automatically at the set time.

Example:

To stop the air conditioner in 10 hours.

1. Press the TIMER OFF button, the last setting of stopping operation time and the signal "h" will show on the display area.
2. Press the TIMER OFF button to display "10h" on the TIMER OFF display of the remote controller.
3. Wait for 3 seconds and the digital display area will show the temperature again. The "TIMER OFF" indicator remains on and this function is activated.



COMBINED TIMER

(Setting both ON and OFF timers simultaneously)

TIMER OFF → TIMER ON

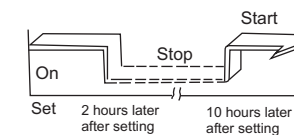
(On → Stop → Start operation)

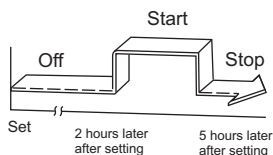
This feature is useful when you want to stop the air conditioner after you go to bed, and start it again in the morning when you wake up or when you return home.

Example:

To stop the air conditioner 2 hours after setting and start it again 10 hours after setting.

1. Press the TIMER OFF button.
2. Press the TIMER OFF button again to display 2.0h on the TIMER OFF display.
3. Press the TIMER ON button.
4. Press the TIMER ON button again to display 10h on the TIMER ON display .
5. Wait for 3 seconds and the digital display area will show the temperature again. The "TIMER ON OFF" indicator remains on and this function is activated.





TIMER ON → TIMER OFF

(Off → Start → Stop operation)

This feature is useful when you want to start the air conditioner before you wake up and stop it after you leave the house.

Example:

To start the air conditioner 2 hours after setting, and stop it 5 hours after setting.

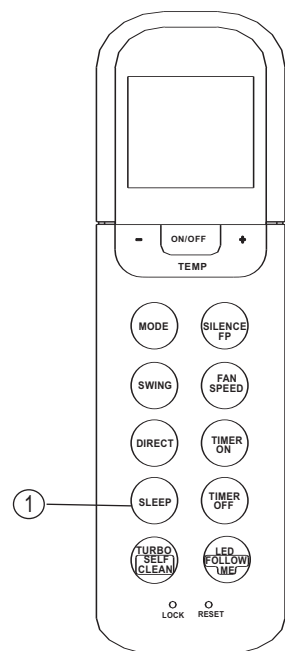
1. Press the TIMER ON button.
2. Press the TIMER ON button again to display 2.0h on the TIMER ON display.
3. Press the TIMER OFF button.
4. Press the TIMER OFF button again to display 5.0h on the TIMER OFF display.
5. Wait for 3 seconds and the digital display area will show the temperature again. The "TIMER ON OFF" indicator remains on and this function is activated.

NOTE: The timer setting(TIMER ON or TIMER OFF) that in sequence occurs directly after the set time will be activated first.

SLEEP function

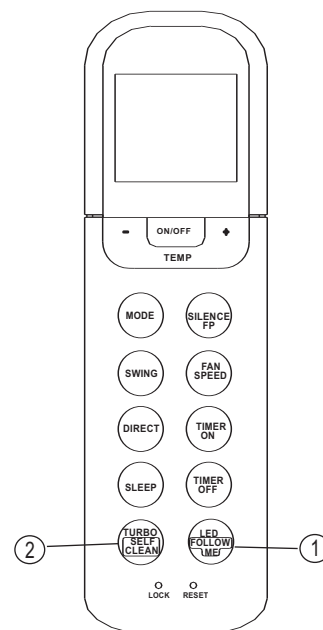
- Press this button will initiate SLEEP function.
- The sleep function enables the unit to automatically increase(cooling) or decrease(heating) 1°C per hour for the first two hours, then hold steady for the next 5 hours, after that the unit will stop operation. It can maintain the most comfortable temperature and save energy.

NOTE: The SLEEP function is only available under Cooling, Heating and AUTO operations.



LED/FOLLOW ME function

- Press this button less than 2nds will initiate LED function. And if keep pressing this button more than 2nds, the FOLLOW ME function is initiated.
- When the Follow Me function is activated, the remote display is actual temperature at its location. The remote control will send this signal to the air conditioner every 3 minutes interval until press the FOLLOW ME button again.
- The Follow Me function is not available under DRY and FAN mode.
- Switch the operation mode or turn off the unit will cancel the Follow Me function automatically.



TURBO/SELF CLEAN function

- Press this button less than 2nds will initiate TURBO function. And if keep pressing this button more than 2nds, the SELF CLEAN function is initiated.
- Turbo function enables the unit to reach the preset temperature in the shortest time. When press this button on cooling mode, the unit will blow strong cooling air with super high fan speed. When press this button on heating mode (applicable to the unit adopts PTC only), the PTC will be energized and bring fast heating operation.
- Under SELF CLEAN mode, the air conditioner will automatically clean and dry the Evaporator and keep it as fresh for the next operation.

ΠΕΡΙΕΧΟΜΕΝΑ

Χρήση του τηλεχειριστηρίου	2
Χαρακτηριστικά του τηλεχειριστηρίου	3
Κουμπία λειτουργίας (Mode).....	5
Δείκτες στην οθόνη υγρών κρυστάλλων (LCD).....	7
Χρήση κουμπιών	8
Αυτόματη λειτουργία.....	8
Ψύξη/Θέρμανση/Λειτουργία ανεμιστήρα.....	8
Λειτουργία αφύγρανσης	9
Ρύθμιση της κατεύθυνσης ροής αέρα.....	9
Χρονόμετρο.....	10
Λειτουργία ANAMONΗΣ/ANANEΩΣΗΣ.....	13
Λειτουργία LED/ΑΚΟΛΟΥΘΗΣΕ ΜΕ.....	14
Λειτουργία ΤΟΥΡΜΠΟ/ΑΥΤΟΚΑΘΑΡΙΣΜΟΥ	14

Χρήση του τηλεχειριστηρίου



Τοποθέτησή του τηλεχειριστηρίου.

- Χρησιμοποιήστε το τηλεχειριστήριο σε απόσταση 8 μέτρων από τη συσκευή, στρέφοντας προς το δέκτη. Η λήψη του σήματος επιβεβαιώνεται με ένα ηχητικό σήμα.

▲ ΠΡΟΣΟΧΗ

- Εάν κουρτίνες, πόρτες ή άλλα καν'αντικείμενα εμποδίζουν τα σήματα που πάνε από το τηλεχειριστήριο προς την εσωτερική μονάδα, τότε το κλιματιστικό δεν θα λειτουργήσει.
- Αποτρέψτε την είσοδο υγρού στον τηλεχειριστήριο. Μη εκθέτετε το τηλεχειριστήριο σε άμεση ηλιακή ακτινοβολία ή θερμότητα
- Εάν ο δέκτης σήματος υπερύθρων στην εσωτερική μονάδα είναι εκτεθειμένος σε άμεση ηλιακή ακτινοβολία, το κλιματιστικό ενδέχεται να μην λειτουργεί σωστά. Χρησιμοποιήστε κουρτίνες για να αποτρέψετε την πτώση της ηλιακής ακτινοβολίας στον δέκτη.
- Εάν άλλες ηλεκτρικές συσκευές ανιχνεύουν το τηλεχειριστήριο, μετακινήστε αυτές τις συσκευές σε άλλη θέση ή επικοινωνήστε με τον τοπικό σας αντιπρόσωπο

Αντικατάσταση μπαταριών

Το τηλεχειριστήριο τροφοδοτείται από δύο στεγνές μπαταρίες (R03/LR03X2) οποίες βρίσκονται στον πίσω μέρος και προστατεύονται από ένα κάλυμμα.

- (1) Πιέζοντας και σύροντας αφαιρέστε το κάλυμμα
- (2) Βγάλτε τις παλιές και τοποθετήστε τις νέες μπαταρίες, τοποθετώντας σωστά τα άκρα τους (+) και (-)
- (3) Επανατοποθετήστε το κάλυμμα σύροντάς το πίσω στη θέση του.

ΣΗΜΕΙΩΣΗ : Όταν αφαιρεθούν οι μπαταρίες, το τηλεχειριστήριο θα διαγράψει όλα τα ρυθμισμένα προγράμματα. Το τηλεχειριστήριο πρέπει να ενεπαιπρογραμματιστεί μετά την τοποθέτηση των νέων μπαταριών.

▲ ΠΡΟΣΟΧΗ

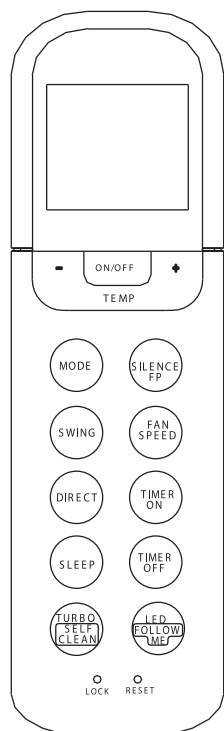
- Μην αναμειγνύετε τις παλιές και νέες μπαταρίες ή τις μπαταρίες διαφορετικών τύπων
- Εάν δεν πρόκειται να χρησιμοποιηθούν για 2 ή 3 μήνες μη αφήνετε τις μπαταρίες στο τηλεχειριστήριο.
- Μην απορρίψτε τις μπαταρίες ως μη επεξεργασμένα αστικά απόβλητα. Τα τέτοια απόβλητα πρέπει να συλλεχθούν χωριστά για την ειδική επεξεργασία.

Χαρακτηριστικά του τηλεχειριστηρίου

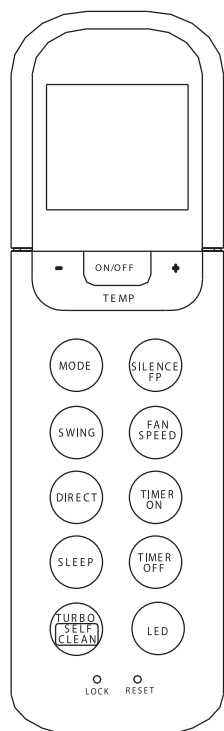
Μοντέλο	RG36F2/BG(C) EF, RG36F7/BGE
Ονομαστική τάση	3.0V (Ξηρές μπαταρίες R03/LR03×2)
Εύρος ανίχνευσης σήματος	8m
Περιβάλλον	-5°C ~ 60°C

Χαρακτηριστικό απόδοσης

1. Τρόπος (Mode) λειτουργίας : ΑΥΤΟΜΑΤΟ, ΔΡΟΣΕΡΟ, ΞΗΡΟ, ΘΕΡΜΟΤΗΤΑ (είναι ενεργός μόνο σε μοντέλα με ψύξη και θέρμανση) και ΑΝΕΜΙΣΤΗΡΑ
2. Λειτουργία ρύθμισης χρονοδιακόπτη για 24 ώρες
3. Εύρος θερμοκρασίας ρύθμισης εσωτερικού χώρου 17°C ~ 30°C
4. Πλήρης λειτουργία της οθόνης υγρών κρυστάλλων (LCD)

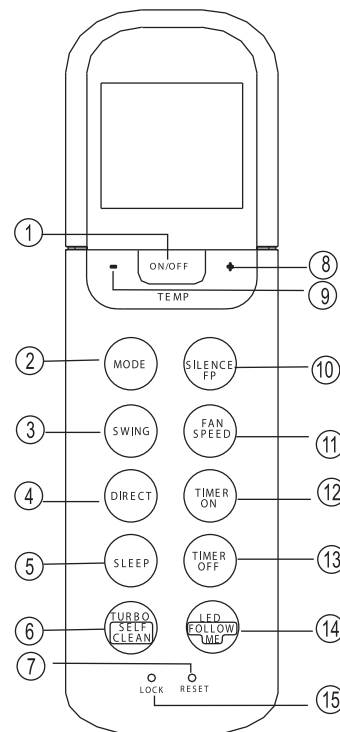


RG36F2/BG(C)EF



RG36F7/BGE

Κουμπιά Λειτουργίας (Mode)



ΣΗΜΕΙΩΣΗ: Το κουμπί ΑΚΟΛΟΥΘΗΣΕ ΜΕ δεν είναι διαθέσιμο για το μοντέλο RG36F7/BGE.

ΣΗΜΕΙΩΣΗ:

- Ανάλογα με το μοντέλο, η σχεδίαση των κουμπιών ενδέχεται να διαφέρει ελαφρώς από το μοντέλο που εσείς αγοράσατε.
- Όλες οι λειτουργίες που περιγράφονται, εκτελούνται από την εσωτερική μονάδα. Εάν η εσωτερική μονάδα δεν διαθέτει αυτή τη δυνατότητα, τότε το πάτημα του αντίστοιχου κουμπιού στο τηλεχειριστήριο δεν θα εκτελέσει την αντίστοιχη λειτουργία.

1 Κουμπί Ανοίγματος/Κλεισίματος (On/Off)
Όταν πατάτε κουμπί αυτό, η μονάδα αρχίζει να λειτουργεί και όταν πατηθεί ξανά σταματά.

2 Κουμπί Λειτουργίας (Mode)
Κάθε φορά που πατάτε το κουμπί, ο τρόπος (Mode) λειτουργίας επιλέγεται με τη σειρά όπως παρακάτω:



ΣΗΜΕΙΩΣΗ : Η λειτουργία θέρμανσης είναι μόνο για μοντέλα με ψύξη και θέρμανση.

3 Κουμπί Αιώρησης (Swing)
Χρησιμοποιείται για την έναρξη ή διακοπή της λειτουργίας αυτόματης αιώρησης της οριζόντιας περσίδας.

4 Κουμπί Κατεύθυνσης (Direct)
Χρησιμοποιείται για την αλλαγή της κίνησης της περσίδας καθώς και για τη ρύθμιση της επιθυμητής κατεύθυνσης ροής αέρα προς το πάνω/κάτω. Η γωνία της περσίδας αλλάζει κατά 6° με κάθε πάτημα.

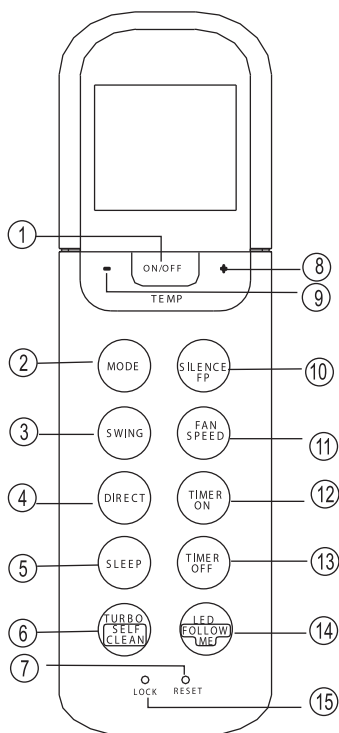
5 Κουμπί ΑΝΑΜΟΝΗΣ/ΑΝΑΝΕΩΣΗΣ (Sleep/Fresh)
Ενεργοποίηση / Απενεργοποίηση της λειτουργίας ΑΝΑΜΟΝΗΣ.

ΣΗΜΕΙΩΣΗ: Ενώ η μονάδα λειτουργεί σε κατάσταση ΑΝΑΜΟΝΗΣ, εάν πατήσετε το κουμπί λειτουργίας, για την ΤΑΧΥΤΗΤΑ, τον ΑΝΕΜΙΣΤΗΡΑ ή για την ενεργοποίηση/απενεργοποίηση (ON/OFF), η λειτουργία ΑΝΑΜΟΝΗΣ θα ακυρωθεί.

6 Κουμπί ΤΟΥΡΜΠΟ/ΑΥΤΟΚΑΘΑΡΙΣΜΟΥ (Turbo/ Self Clean):

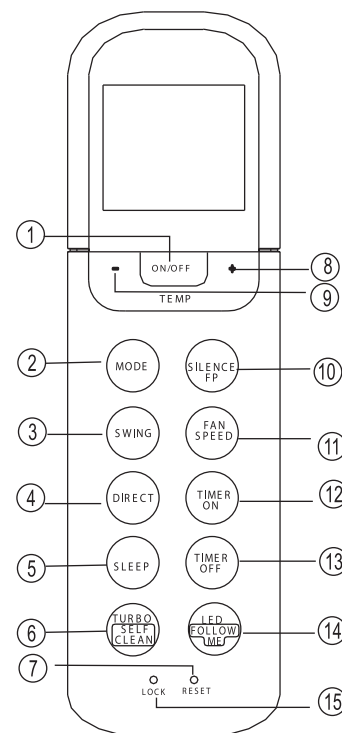
Ενεργοποίηση/Απενεργοποίηση λειτουργίας ΤΟΥΡΜΠΟ. Εάν πιέσετε το κουμπί για περισσότερα από 2 δευτερόλεπτα, θα ενεργοποιηθεί η λειτουργία ΑΥΤΟΚΑΘΑΡΙΣΜΟ και εάν πιέσετε ξανά για περισσότερα πάλι από 2 δευτερόλεπτα τότε θα την απενεργοποιήσετε.

Κουμπιά Λειτουργίας (Mode)



- 7 Κουμπί ΕΠΑΝΑΦΟΡΑΣ (Reset):**
Όταν πατήσετε το κουμπί ΕΠΑΝΑΦΟΡΑΣ, όλες οι τρέχουσες ρυθμίσεις ακυρώνονται έτσι και το τηλεχειριστήριο θα επιστρέψει στις αρχικές ρυθμίσεις.
- 8 Κουμπί προς το ΠΑΝΩ (+) (Up Button)**
Πατήστε το κουμπί αυτό ώστε να αυξήσετε τη ρύθμιση θερμοκρασίας ή να αυξήσετε την ώρα κατά τη διάρκεια της ρύθμισής του χρονοδιακοπτή.
- 9 Κουμπί προς το ΚΑΤΩ (-) (Down Button)**
Πατήστε το κουμπί αυτό για να μειώσετε τη ρύθμιση θερμοκρασία ή να μειώσετε την ώρα κατά τη διάρκεια της ρύθμισής του χρονοδιακοπτή.
- 10 Κουμπί Αθόρυβος/FP (SILENCE/FP)**
- Ενεργοποιεί/απενεργοποιεί τη λειτουργία αθόρυβης λειτουργίας.
 - Όταν είναι ενεργοποιημένη η αθόρυβη λειτουργία, ο συμπιεστής θα λειτουργεί σε χαμηλή συχνότητα και η εσωτερική μονάδα θα κάνει ένα απαλό αεράκι το οποίο θα μειώσει το θόρυβο στο χαμηλότερο επίπεδο και ήσυχο και άνετο για εσάς. Θα δημιουργήσει ένα δωμάτιο. Ωστόσο, η ικανότητα ψύξης και θέρμανσης μπορεί να είναι ανεπαρκής λόγω της χαμηλής συχνότητας λειτουργίας του συμπιεστή.
 - Κατά τη διάρκεια της λειτουργίας θέρμανσης (μόνο όταν η λειτουργία ρύθμισης είναι ΘΕΡΜΑΝΣΗ), πιέζοντας το κουμπί αυτό για περισσότερα από 2 δευτερόλεπτα, θα ενεργοποιηθεί η λειτουργία FP. Η μονάδα θα λειτουργεί με υψηλή ταχύτητα ανεμιστήρα με τη θερμοκρασία για να ρυθμίζεται αυτόματα στους 8°C. Το FP θα εμφανιστεί στο παράθυρο ενδείξεων της εσωτερικής μονάδας. Για τη μονάδα χωρίς περιοχή οθόνης, η ενδεικτική λυχνία απόψυξης παραμένει αναμμένη για 2 δευτερόλεπτα και στη συνέχεια σβήνει εναλλάξ για 2 δευτερόλεπτα. Πατώντας τα κουμπιά Ενεργοποίηση/Απενεργοποίηση, Αναμονή, FP, Τρόπος, Ταχύτητα του Ανεμιστήρα, Πάνω, Κάτω ενώ εργάζεστε, θα ακυρωθεί η λειτουργία FP.
- 11 Κουμπί στροφής του Ανεμιστήρα (FAN SPEED)**
Αυτό χρησιμοποιείται για την επιλογή της ταχύτητας του ανεμιστήρα σε τέσσερα βήματα :

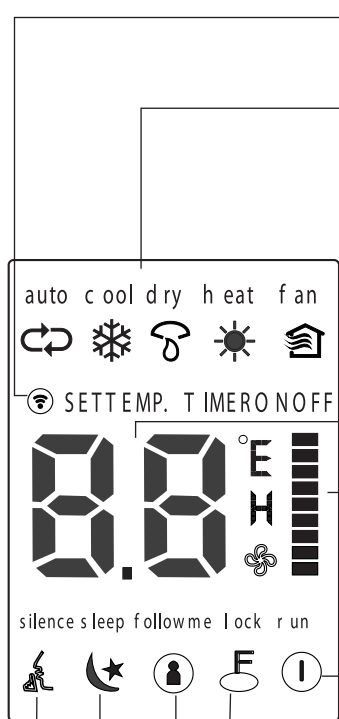
ΑΥΤΟΜΑΤΟ → ΧΑΜΗΛΗ → ΜΕΣΑΙΑ → ΥΨΗΛΗ



ΣΗΜΕΙΩΣΗ: Το κουμπί ΑΚΟΛΟΥΘΗΣΕ ΜΕ δεν είναι διαθέσιμο για το μοντέλο RG36F7/BGE.

- 12 Κουμπί Ενεργοποίησης Χρονοδιακοπτή (TIMER ON)**
Για να εκκινήσετε την αυτόματη χρονική ακολουθία, να πατήσετε το κουμπί αυτό. Κάθε πάτημα θα αυξήσει την ρύθμιση αυτόματης χρονομέτρησης για 30 λεπτά. Όταν η ρυθμισμένη ώρα εμφανίζει 10H, κάθε πάτημα θα αυξήσει την αυτόματη ρύθμιση χρονισμού για 60 λεπτά. Για να ακυρώσετε το αυτόματο χρονομετρημένο πρόγραμμα, μόνο ρυθμίστε το χρονόμετρο αυτόματης λειτουργίας σε 0:0.
- 13 Κουμπί ΧΡΟΝΟΜΕΤΡΟ ΚΛΕΙΣΤΟ (TIMER OFF)**
Πιέστε αυτό το κουμπί για να εκκινήσετε την αυτόματη χρονική ακολουθία απενεργοποίησης. Κάθε πάτημα θα αυξήσει τη ρύθμιση αυτόματης χρονομέτρησης για 30 λεπτά. Όταν η ώρα ρύθμισης εμφανίζει 10H, κάθε πάτημα θα αυξήσει την αυτόματη ρύθμιση χρονισμού για 60 λεπτά. Για να ακυρώσετε το πρόγραμμα αυτόματης χρονομέτρησης, μόνο ρυθμίστε το χρόνο αυτόματης απενεργοποίησης στο 0,0.
- 14 Κουμπί LED/ΑΚΟΛΟΥΘΗΣΕ ΜΕ (LED/FOLLOW ME)**
Ενεργοποίηση/Απενεργοποίηση οθόνη εσωτερικού χώρου. Όταν πιέσετε για περισσότερα από 2 δευτερόλεπτα, θα ανεργοποιηθεί η συνάρτηση ΑΚΟΛΟΥΘΗΣΕ ΜΕ, για την απενεργοποίηση πρέπει να πιέσετε ξανά περισσότερα από 2 δευτερόλεπτα.
- 15 Κουμπί ΚΛΕΙΔΩΜΑΤΟΣ (LOCK Button)**
Όταν πατάτε το ενσωματωμένο κουμπί ΚΛΕΙΔΩΜΑΤΟΣ, όλες οι τέχουσες ρυθμίσεις στο τηλεχειριστήριο κλειδώνονται και μετά το τηλεχειριστήριο δεν δέχεται καμία άλλη λειτουργία εκτός από το ΚΛΕΙΔΩΜΑ. Πατήστε ξανά για να ακυρώσετε την λειτουργία ΚΛΕΙΔΩΜΑΤΟΣ.

Δείκτες στην οθόνη LCD (Υγρών κρυστάλλων)



Δείκτης μετάδοσης σήματος

Όταν το τηλεχειριστήριο μεταδίδει σήματα στην εσωτερική μονάδα, η εκείνη ένδειξη μετάδοσης ανάβει

Ένδειξη λειτουργίας

Υποδεικνύει τον τρέχοντα τρόπο λειτουργίας. Υπάρχουν λειτουργίες ΑΥΤΟΜΑΤΟ (↻), ΨΥΞΗ (❄️), ΣΤΕΓΝΩΣΗ (☁️), ΘΕΡΜΑΝΣΗ (☀️) (Δεν διατίθεται μόνο σε μοντέλα ψύξης), ΑΝΕΜΙΣΤΗΡΑΣ (🌀) και ΑΥΤΟΜΑΤΟ return (↻).

Ένδειξη ΘΕΡΜΟΚΡΑΣΙΑΣ/ΧΡΟΝΟΔΙΑΚΟΠΤΗΣ

Εμφανίζει τη ρύθμιση θερμοκρασίας (17°C~30°C). Όταν ρυθμίζετε τον τρόπο λειτουργίας σε ΑΝΕΜΙΣΤΗΡΑ, η ρύθμιση θερμοκρασίας δεν θα εμφανιστεί. Και αν βρίσκεται στη λειτουργία ΧΡΟΝΟΔΙΑΚΟΠΤΗ, εμφανίζει τις ρυθμίσεις "ΕΝΕΡΓΟΠΟΙΗΣΗ" και "ΑΠΕΝΕΡΓΟΠΟΙΗΣΗ" του ΧΡΟΝΟΔΙΑΚΟΠΤΗ".

Ένδειξη ΤΑΧΥΤΗΤΑΣ ΤΟΥ ΑΝΕΜΙΣΤΗΡΑ (FAN SPEED)

Εμφανίζει την επιλεγμένη ταχύτητα ανεμιστήρα, ΑΥΤΟΜΑΤΗ (δεν εμφανίζεται) και μπορεί να εμφανιστεί ένα από τα τρία επίπεδα ταχύτητας του ανεμιστήρα "■" (ΧΑΜΗΛΗ) "■" (ΜΕΣΑΙΑ) "■" (ΥΨΗΛΗ). Η ταχύτητα του ανεμιστήρα είναι σε ΑΥΤΟΜΑΤΗ όταν ο τρόπος (Mode) λειτουργίας είναι ΑΥΤΟΜΑΤΗ ή ΞΗΡΑ.

Ένδειξη ΕΝΕΡΓΟΠΟΙΗΣΗΣ/ΑΠΕΝΕΡΓΟΠΟΙΗΣΗΣ (ON/OFF)

Εμφανίζεται όταν πατήσετε το κουμπί ενεργοποίησης/απενεργοποίησης. Πατήστε ξανά το κουμπί ενεργοποίησης/απενεργοποίησης για να καθαρίσετε την ένδειξη.

Ένδειξη ΚΛΕΙΔΩΜΑΤΟΣ (LOCK)

Εμφανίζεται όταν η λειτουργία κλειδώματος είναι ενεργοποιημένη

Ένδειξη ΑΚΟΛΟΥΘΗΣΕ ΜΕ (FOLLOW ME)

Εμφανίζεται όταν η λειτουργία ΑΚΟΛΟΥΘΗΣΕ ΜΕ είναι ενεργοποιημένη.

Ένδειξη ΑΝΑΜΟΝΗΣ (SLEEP)

Εμφανίζεται σε κατάσταση αναμονής. Για κατάρτηση, πατήστε ξανά το κουμπί

Ένδειξη αναμονής

Εμφανίζεται όταν είναι ενεργοποιημένη η λειτουργία STANDBY.

ΣΗΜΕΙΩΜΑ :

Όλοι οι δείκτες που εμφανίζονται στο σχήμα, προορίζονται μόνο για μία φανερή ένδειξη. Αλλά, κατά την τρέχουσα λειτουργία της μόνο τα σχετικά σημάδια λειτουργίας εμφανίζονται στην οθόνη.

Χρησιμοποιήσεις των κουμπιών

Αυτόματη λειτουργία

Βεβαιωθείτε ότι η μονάδα δεν είναι αποσυνδεδεμένη από το ρεύμα. Η λυχνία λειτουργίας στην οθόνη της εσωτερικής μονάδας θα αρχίσει να αναβοσβήνει.

1. Για να επιλέξετε τη λειτουργία αυτόματης λειτουργίας πατήστε το κουμπί λειτουργίας (Mode)
2. Για να ρυθμίσετε την επιθυμητή σας θερμοκρασία πατήστε το κουμπί Κάτω/Πάνω (Up/Down). Η θερμοκρασία μπορεί να ρυθμιστεί μεταξύ θερμοκρασιών 17°C/62°F – 30°C/88°F σε βήματα 1°C/2°F
3. Για να λειτουργήσετε το κλιματιστικό, πατήστε το κουμπί ενεργοποίησης/απενεργοποίησης (On/Off).

ΣΗΜΕΙΩΣΕΙΣ

1. Όταν βρίσκεται σε αυτόματη λειτουργία το κλιματιστικό μπορεί να ανιληφθεί τη διαφορά μεταξύ της τρέχουσας θερμοκρασίας δωματίου και της θερμοκρασίας που έχει ρυθμιστεί στο τηλεχειριστήριο και μπορεί να επιλέξει λογικά τη λειτουργία της ψύξης, του ανεμιστήρα και της θέρμανσης.
2. Στην αυτόματη λειτουργία, δεν μπορείτε να πατήσετε το κουμπί ταχύτητας του ανεμιστήρα. Έχει ήδη ελεγχθεί αυτόματα.
3. Εάν δεν αισθάνεστε άνετα με την αυτόματη λειτουργία, η επιθυμητή σας λειτουργία μπορεί να επιλέγει χειροκίνητα.

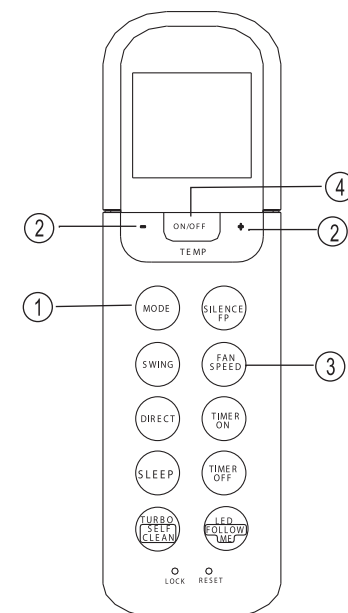
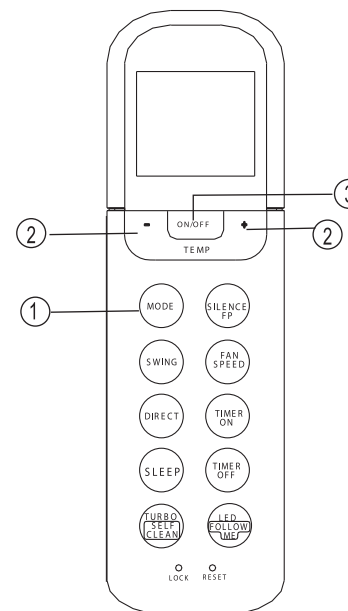
Λειτουργία Ψύξης/Θέρμανσης/Ανεμιστήρα (Cooling/Heating/Fan)

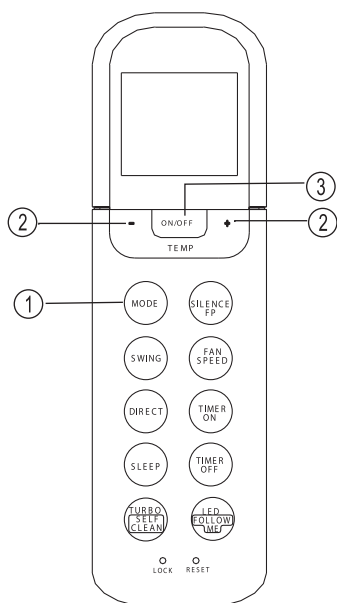
Βεβαιωθείτε ότι η μονάδα δεν είναι αποσυνδεδεμένη από το ρεύμα.

1. Πατήστε το κουμπί λειτουργίας για να επιλέξετε τη λειτουργία ΨΥΞΗΣ, ΘΕΡΜΑΝΣΗΣ (μόνο για μοντέλα ψύξης και θέρμανσης) ή ΑΝΕΜΙΣΤΗΡΑ
2. Πατήστε τα κουμπιά ΠΑΝΩ/ΚΑΤΩ για να ρυθμίσετε την επιθυμητή θερμοκρασία. Η θερμοκρασία μπορεί να ρυθμιστεί εντός της περιοχής 17°C – 30°C σε βήματα 1°C/2°F
3. Πατήστε το κουμπί ΑΝΕΜΙΣΤΗΡΑ για να επιλέξετε την ταχύτητα του ανεμιστήρα σε τέσσερα βήματα (Αυτόμασο, Χαμηλό, Μεσαίο ή Υψηλό)
4. Πατήστε το κουμπί Ενεργοποίησης/Απενεργοποίησης για να λειτουργήσετε το κλιματιστικό.

ΣΗΜΕΙΩΣΕΙΣ

Η θερμοκρασία που έχει ρυθμιστεί στη λειτουργία ΑΝΕΜΙΣΤΗΡΑ, δεν εμφανίζεται στο τηλεχειριστήριο ή δεν μπορείτε να ελέξετε τη θερμοκρασία δωματίου. Σε τέτοια περίπτωση πρέπει μόνο το 1., 3. και 4. Βήμα να εφαρμοστούν.





Λειτουργία Αφύγρασης

Βεβαιωθείτε ότι η μονάδα δεν είναι αποσυνδεδεμένη από το ρεύμα. Η λυχνία λειτουργίας στην οθόνη της εσωτερικής μονάδας αρχίζει να αναβοσβήνει.

1. Για να επιλέξετε τη λειτουργία ΞΗΡΟ (Dry), πατήστε το κουμπί Λειτουργίας (Mode)
2. Για να ρυθμίσετε την επιθυμητή θερμοκρασία, πατήστε τα κουμπιά ΠΑΝΩ/ΚΑΤΩ. Η θερμοκρασία μπορεί να ρυθμιστεί εντός της περιοχής 17°C/62°F - 30°C/88°F σε βήματα 1°C/2°F
3. Για να λειτουργήσετε το κλιματιστικό, πατήστε το κουμπί Ενεργοποίησης/Απενεργοποίησης (On/Off).

ΣΗΜΕΙΩΣΕΙΣ

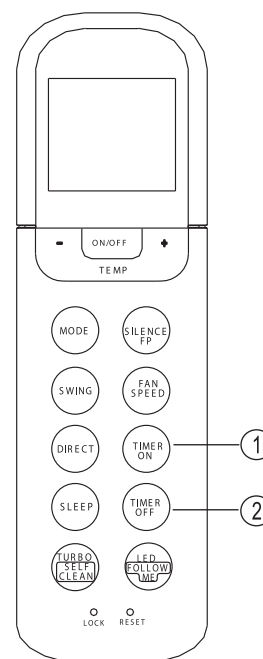
Στη λειτουργία αφύγρασης, δεν μπορείτε να πατήσετε το κουμπί ταχύτητας του ανεμιστήρα. Έχει ήδη ελεγχθεί αυτόματα.

Ρύθμιση της Κατεύθυνσης ροής αέρα

Για να ρυθμίσετε την επιθυμητή κατεύθυνση ροής αέρα, χρησιμοποιήστε το κουμπί ΑΙΩΡΗΣΗΣ και ΚΑΤΕΥΘΥΝΣΗΣ (Swing and Direct).

1. Όταν πατάτε ΚΑΤΕΥΘΥΝΣΗ η οριζόντια περσίδα θα αλλάζει 6 μοίρες κάθε φορά που την πατάτε
2. Όταν πατάτε το κουμπί ΑΙΩΡΗΣΗΣ, η περσίδα θα ανυψωθεί ή θα χαμηλώσει αυτόματα.

ΣΗΜΕΙΩΣΗ : Όταν η περσίδα να ρυθμιστεί σε μία θέση που θα επηρεάσει την ψύξη ή θέρμανση του κλιματιστικού ή μετακινηθεί, θα αλλάξει αυτόματα την κατεύθυνσή της αιώρησης/κίνησης.



ΧΡΟΝΟΔΙΑΚΟΠΤΗΣ

Όταν πατήσετε το κουμπί ενεργοποίησης του χρονοδιακόπτη, μπορεί χρονοδιακόπτης λειτουργίας της μονάδας να ρυθμιστεί αυτόματα. Πατώντας το κουμπί απενεργοποίησης του χρονοδιακόπτη μπορείτε να ρυθμίσετε το χρονομετρο αυτόματος απενεργοποίησης της μονάδας.

Για τη ρύθμιση του χρόνου αυτόματης ενεργοποίησης (Auto-on).

1. Πατήστε το κουμπί ενεργοποίησης του χρονοδιακόπτη. Όταν εμφανίζεται η ένδειξη "το χρονοδιακόπτη είναι ενεργοποιημένο" στο τηλεχειριστήριο, ο τελευταίος ρυθμισμένος χρόνος αυτόματης ενεργοποίησης και το σήμα "h" θα εμφανιστούν στην οθόνη LCD. Το χρονομετρο αυτόματης εκτέλεσης είναι τώρα έτοιμο για επαναφορά για να ΕΝΑΡΞΕΙ εκτέλεση.
2. Για να ενεργοποιήσετε το χρονοδιακόπτη, πατήστε ξανά το κουμπί ενεργοποίησης του χρονοδιακόπτη. Κάθε φορά που πατάτε το κουμπί, ο χρόνος αυμάνεται κατά μισή ώρα μεταξύ 0 και 10 ωρών και κατά μία ώρα μεταξύ 10 και 24 ωρών.
3. Αφου ενεργοποιηθεί ο ΧΡΟΝΟΔΙΑΚΟΠΤΗΣ, θα υπάρξει καθυστέρηση ενός δευτερολέπτου προτού το τηλεχειριστήριο στείλει το σήμα στο κλιματιστικό. Στη συνέχεια, μετά από περίπου 2 δευτερόλεπτα το σύμβολο "h" θα εξαφανιστεί και η καθορισμένη θερμοκρασία θα εμφανιστεί ξανά στην οθόνη LCD.

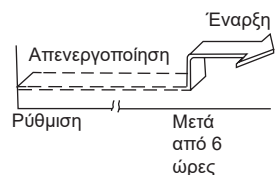
Για να ρυθμίσετε το χρόνο αυτόματης απενεργοποίησης (Auto-off) .

1. Πατήστε το κουμπί απενεργοποίησης του χρονοδιακόπτη. Όταν εμφανίζεται ένδειξη "το χρονοδιακόπτη είναι απενεργοποιημένο" στο τηλεχειριστήριο, η τελευταία ρύθμιση χρόνου αυτόματης απενεργοποίησης και το σύμβολο "h" θα εξαφανιστούν στην οθόνη LCD. Το χρονομετρο απενεργοποίησης που σταματήθηκε αυτόματα, είναι έτοιμο για τον εκμηδενισμό,
2. Πατήστε ξανά το κουμπί απενεργοποίησης για να απενεργοποιήσετε το χρονοδιακόπτη. Κάθε φορά που πατάτε το κουμπί, ο χρόνος αυξάνεται κατά μισή ώρα μεταξύ 0 και 10 ωρών και κατά μία ώρα μεταξύ 10 και 24 ωρών.
3. Αφού το κουμπί απενεργοποίησης χρονοδιακόπτη έχει ρυθμιστεί, θα υπάρξει καθυστέρηση ενός δευτερολέπτου προτού το τηλεχειριστήριο στείλει το σήμα στο κλιματιστικό. Στη συνέχεια, μετ' από περίπου 2 δευτερόλεπτα, το σύμβολο "h" θα εξαφανιστεί και η καθορισμένη θερμοκρασία θα εμφανιστεί ξανά στην οθόνη LCD.

▲ ΠΡΟΣΟΧΗ

- Οι λειτουργίες χρονοδιακόπτη που μπορούν να ρυθμιστούν με το τηλεχειριστήριο περιορίζονται ως εξής : 0.5, 1.0, 1.5, 2.0, 2.5, 3.0, 3.5, 4.0, 4.5, 5.0, 5.5, 6.0, 6.0, 7., 7.5, 8.0, 8.5, 9.0, 9.5, 10, 11, 12, 13, 14, 15, 16, 17, 18, 19, 20, 21, 22, 23 και 24.

Παράδειγμα ρύθμισης χρονοδιακόπτη



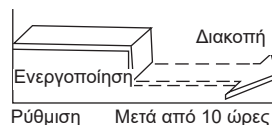
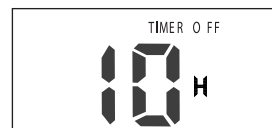
ΕΝΕΡΓΟΠΟΙΗΣΗ του ΧΡΟΝΟΔΙΑΚΟΠΤΗ (TIMER ON)

Η λειτουργία Χρονοδιακόπτη Ενεργοποιημένος, όταν θέλετε να ενεργοποιήσετε τη μονάδα αυτόματα πριν επιστρέψετε στο σπίτι. Το κλιματιστικό θα αρχίσει να λειτουργήσει αυτόματα την καθορισμένη ώρα.

Παράδειγμα:

Για εκκίνηση του κλιματιστικού μετά από 6 ώρες.

1. Όταν πατήσετε το κουμπί Ενεργοποίησης του χρονοδιακόπτη (TIMER ON), η τελευταία ρυθμισμένη ώρα έναρξης και το σήμα "h" θα εμφανιστούν στην οθόνη LCD.
2. Για να εμφανιστεί η ένδειξη "6,0h" στην οθόνη του τηλεχειριστηρίου, πατήστε το κουμπί ενεργοποίησης του χρονοδιακόπτη (TIMER ON)
3. Περιμένετε για 3 δευτερόλεπτα, η ψηφιακή οθόνη θα εμφανίσει ξανά τη θερμοκρασία. Η λυχνία Ενεργοποίησης του Χρονοδιακόπτη (TIMER ON) θα παραμείνει ως αναμμένη και η λειτουργία αυτή θα ενεργοποιηθεί.



ΑΠΕΝΕΡΓΟΠΟΙΗΣΗ του ΧΡΟΝΟΔΙΑΚΟΠΤΗ (Αυτόματη απενεργοποίηση)

Η λειτουργία απενεργοποίησης χρονοδιακόπτη (TIMER OFF) χρησιμοποιείται όταν θέλετε η μονάδα να απενεργοποιείται αυτόματα μετά την κατάκλιση. Το κλιματιστικό θα σταματήσει αυτόματα την καθορισμένη ώρα.

Παράδειγμα:

Για να σταματήσετε το κλιματιστικό σε 10 ώρες.

1. Πατήστε το κουμπί ΑΠΕΝΕΡΓΟΠΟΙΗΣΗΣ του ΧΡΟΝΟΔΙΑΚΟΠΤΗ, την τελευταία ρύθμιση του χρόνου διακοπής λειτουργίας. Το σήμα «h» θα εμφανιστεί στην οθόνη.
2. Πατήστε το κουμπί ΑΠΕΝΕΡΓΟΠΟΙΗΣΗΣ του ΧΡΟΝΟΔΙΑΚΟΠΤΗ για να εμφανιστεί η ένδειξη «10h» στην οθόνη ΑΠΕΝΕΡΓΟΠΟΙΗΣΗΣ του ΧΡΟΝΟΔΙΑΚΟΠΤΗ του τηλεχειριστηρίου.
3. Περιμένετε για 3 δευτερόλεπτα και η ψηφιακή οθόνη θα δείξει ξανά τη θερμοκρασία. Η λυχνία «ΑΠΕΝΕΡΓΟΠΟΙΗΣΗ του ΧΡΟΝΟΔΙΑΚΟΠΤΗ» παραμένει αναμμένη και αυτή η λειτουργία είναι ενεργοποιημένη.

ΣΥΝΔΥΑΣΜΕΝΟΣ ΧΡΟΝΟΔΙΑΚΟΠΤΗΣ

(Ρύθμιση ταυτόχρονα της ΕΝΕΡΓΟΠΟΙΗΣΗΣ και ΑΠΕΝΕΡΓΟΠΟΙΗΣΗΣ του χρονοδιακόπτη)

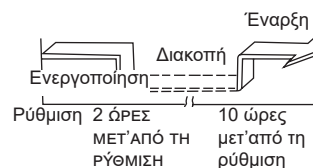
ΧΡΟΝΟΔΙΑΚΟΠΤΗΣ ΑΠΕΝΕΡΓΟΠΟΙΗΜΕΝΟΣ → ΧΡΟΝΟΔΙΑΚΟΠΤΗΣ ΕΝΕΡΓΟΠΟΙΗΜΕΝΟΣ
(Εναρξη → Διακοπή → Έναρξη λειτουργίας)

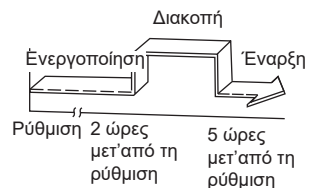
Αυτή η λειτουργία είναι χρήσιμη όταν θέλετε να σταματήσετε το κλιματιστικό αφού πάτε για ύπνο ή/και να το ξεκινήσετε ξανά το πρωί όταν ξυπνήσετε ή όταν επιστρέψετε στο σπίτι.

Παράδειγμα:

Για να σταματήσετε το κλιματιστικό 2 ώρες μετά τη ρύθμιση και να ξεκινήσετε ξανά 10 ώρες μετά τη ρύθμιση.

1. Πατήστε το κουμπί ΑΠΕΝΕΡΓΟΠΟΙΗΣΗΣ του ΧΡΟΝΟΔΙΑΚΟΠΤΗ.
2. Πατήστε ξανά το κουμπί ΑΠΕΝΕΡΓΟΠΟΙΗΣΗΣ του ΧΡΟΝΟΔΙΑΚΟΠΤΗ για να εμφανιστεί η ένδειξη 2.0h στην οθόνη ΑΠΕΝΕΡΓΟΠΟΙΗΣΗΣ του ΧΡΟΝΟΔΙΑΚΟΠΤΗ
3. Πατήστε το κουμπί ΕΝΕΡΓΟΠΟΙΗΣΗΣ του ΧΡΟΝΟΔΙΑΚΟΠΤΗ
4. Πατήστε ξανά το κουμπί ΕΝΕΡΓΟΠΟΙΗΣΗΣ του ΧΡΟΝΟΔΙΑΚΟΠΤΗ για να εμφανιστεί η ένδειξη 10h στην οθόνη ΑΠΕΝΕΡΓΟΠΟΙΗΣΗΣ του ΧΡΟΝΟΔΙΑΚΟΠΤΗ
5. Περιμένετε για 3 δευτερόλεπτα και η ψηφιακή οθόνη θα δείξει ξανά τη θερμοκρασία. Η λυχνία ΕΝΕΡΓΟΠΟΙΗΣΗ/ ΑΠΕΝΕΡΓΟΠΟΙΗΣΗ του ΧΡΟΝΟΔΙΑΚΟΠΤΗ παραμένει αναμμένη και αυτή η λειτουργία είναι ενεργοποιημένη.





ΧΡΟΝΟΔΙΑΚΟΠΤΗΣ ΕΝΕΡΓΟΠΟΙΗΜΕΝΟΣ → ΧΡΟΝΟΔΙΑΚΟΠΤΗΣ ΑΠΕΝΕΡΓΟΠΟΙΗΜΕΝΟΣ
(Διακοπή → Έναρξη → Διακοπή λειτουργίας)
Αυτή η λειτουργία είναι χρήσιμη όταν θέλετε να ξεκινήσετε το κλιματιστικό πριν ξυπνήσετε και να το σταματήσετε μετά την αναχώρησή σας από το σπίτι.

Παράδειγμα:

Για να εκκινήσετε το κλιματιστικό 2 ώρες μετά τη ρύθμιση και να το σταματήσετε 5 ώρες μετά τη ρύθμιση.

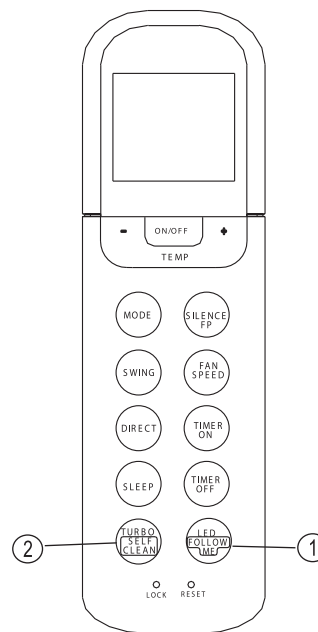
1. Πατήστε το κουμπί ΕΝΕΡΓΟΠΟΙΗΣΗ ΧΡΟΝΟΜΕΤΡΟΥ.
2. Πατήστε ξανά το κουμπί ΧΡΟΝΟΔΙΑΚΟΠΤΗΣ ΕΝΕΡΓΟΠΟΙΗΣΗΣ για να εμφανιστεί η ένδειξη 2.0h στην οθόνη ΧΡΟΝΟΔΙΑΚΟΠΤΗΣ ΕΝΕΡΓΟΠΟΙΗΣΗΣ.
3. Πατήστε το κουμπί ΑΠΕΝΕΡΓΟΠΟΙΗΣΗΣ του ΧΡΟΝΟΔΙΑΚΟΠΤΗ.
4. Πατήστε ξανά το κουμπί ΑΠΕΝΕΡΓΟΠΟΙΗΣΗΣ του ΧΡΟΝΟΔΙΑΚΟΠΤΗ για να εμφανιστεί η ένδειξη 5.0h στην οθόνη ΑΠΕΝΕΡΓΟΠΟΙΗΣΗΣ του ΧΡΟΝΟΔΙΑΚΟΠΤΗ.
5. Περιμένετε για 3 δευτερόλεπτα και η ψηφιακή οθόνη θα δείξει ξανά τη θερμοκρασία. Η λυχνία ΧΡΟΝΟΔΙΑΚΟΠΤΗΣ ΕΝΕΡΓΟΠΟΙΗΜΕΝΟΣ/ ΑΠΕΝΕΡΓΟΠΟΙΗΜΕΝΟΣ παραμένει αναμμένη και αυτή η λειτουργία είναι ενεργοποιημένη.

ΣΗΜΕΙΩΣΗ: Κατά προτεραιότητα η ρύθμιση του χρονοδιακόπτη (Ενεργοποίηση ή Απενεργοποίηση του Χρονοδιακόπτη) θα ενεργοποιηθεί αμέσως μετά τον καθορισμένο χρόνο .

Λειτουργία ANAMONΗΣ (STANDBY)

- Πατώντας το κουμπί αυτό ξεκινά η λειτουργία ANAMONΗΣ.
- Η λειτουργία αναμονής επιτρέπει στη μονάδα να αυξάνει αυτόματα (ψύξη) ή να μειώνει (θέρμανση) 1°C ανά ώρα για τις πρώτες δύο ώρες και στη συνέχεια να τη διατηρεί σταθερή για τις επόμενες 5 ώρες. Μετά την οποία η μονάδα θα αρχίσει να λειτουργεί. Αυτό μπορεί να διατηρήσει την πιο άνετη θερμοκρασία και να εξοικονομήσει ενέργεια.

ΣΗΜΕΙΩΣΗ: Η λειτουργία ANAMONΗΣ μπορεί να χρησιμοποιηθεί μόνο σε ψύξη, θέρμανση και αυτόματη λειτουργία της μονάδας.



Λειτουργία LED/ΑΚΟΛΟΥΘΗΣΕ ΜΕ (FOLLOW ME)

- Πιέζοντας το κουμπί αυτό για λιγότερο από 2 δευτερόλεπτα, η λειτουργία LED θα ξεκινήσει. Και αν συνεχίσετε να πιέσετε το κουμπί αυτό για περισσότερα από 2 δευτερόλεπτα, τότε η λειτουργία ΑΚΟΛΟΥΘΗΣΕ ΜΕ θα ξεκινήσει.
- Όταν είναι ενεργοποιημένη η λειτουργία ΑΚΟΛΟΥΘΗΣΕ ΜΕ, η πραγματική θερμοκρασία στην τοποθεσία εμφανίζεται στην οθόνη του τηλεχειριστηρίου. Το τηλεχειριστήριο θα στέλνει το σήμα αυτό κάθε 3 λεπτά μέχρι να πατήσετε ξανά το κουμπί ΑΚΟΛΟΥΘΗΣΕ ΜΕ.
- Η λειτουργία ΑΚΟΛΟΥΘΗΣΕ ΜΕ δεν μπορεί να χρησιμοποιηθεί σε τρόπο ΞΗΡΟ και ΑΝΕΜΙΣΤΗΡΑ
- Η αλλαγή του τρόπου λειτουργίας ή η απενεργοποίησή της μονάδας, θα ακυρώσει αυτόματα τη λειτουργία Ακολουθήσε με.

Λειτουργία ΤΟΥΡΜΠΟ/ΑΥΤΟΚΑΘΑΡΙΣΜΟ (TURBO/SELF CLEAN)

- Εάν πατήσετε το κουμπί αυτό λιγότερα από 2 δευτερόλεπτα τότε η λειτουργία ΤΟΥΡΜΠΟ θα ξεκινήσει. Και αν συνεχίσετε να πιέσετε το κουμπί αυτό περισσότερα από 2 δευτερόλεπτα τότε η λειτουργία ΑΥΤΟΚΑΘΑΡΙΣΜΟΣ θα ξεκινήσει.
- Η λειτουργία Τούρμπο επιτρέπει στη μονάδα να φτάσει την προκαθορισμένη θερμοκρασία λειτουργίας θέρμανσης ή ψύξης το συντομότερο δυνατό. (Εάν η μονάδα δεν διαθέτει αυτή τη δυνατότητα, δεν θα πραγματοποιηθεί καμία ενέργεια έστω να πατηθεί το εν λόγω κουμπί)
- Σε λειτουργία ΑΥΤΟΚΑΘΑΡΙΣΜΟ, το κλιματιστικό, θα καθαρίζει και θα στεγνώσει αυτόματα τον εξατμιστήρα για την επόμενη λειτουργία.

