



**BOSCH**

Register your  
appliance and join  
the Bosch  
family of perks:  
[bosch-home.com/us  
mybosch](http://bosch-home.com/us/mybosch)



# Dishwasher

<b>[en-us]</b>	Installation Instructions	Dishwasher	2
<b>[fr-ca]</b>	Instructions d'installation	Lave-vaisselle	20

# Table of contents

<b>1 IMPORTANT SAFETY INSTRUCTIONS</b> .....	<b>3</b>
1.1 Safety definitions.....	3
1.2 General information.....	3
1.3 Safe Installation .....	4
1.4 Electrical safety.....	4
1.5 State of California Proposition 65 Warnings.....	6
<b>2 Before you begin</b> .....	<b>7</b>
2.1 Inspect the Dishwasher.....	7
2.2 Parts Included .....	7
2.3 Tools and Parts Needed .....	8
2.4 Pre-install Checklist.....	8
2.5 Electrical Requirements .....	9
2.6 Cabinet Requirements .....	9
<b>3 Installation Preparation</b> .....	<b>10</b>
<b>4 Installation Procedure</b> .....	<b>11</b>
4.1 Pre-level the Dishwasher .....	11
4.2 Attach Power Cord.....	12
4.3 Mounting Brackets .....	12
4.4 Install Dishwasher in Cabinet Space.....	13
4.5 Level the Dishwasher.....	14
4.6 Outer Door Assembly <sup>1</sup> .....	15
4.7 Secure Top and Side Mount.....	15
4.8 Attach the 2-part Toe Panel .....	16
<b>5 Dishwasher Connection</b> .....	<b>16</b>
5.1 Installing the Water Inlet Connection.....	16
5.2 Installing the Drain Connection.....	18
5.3 Electrical Connection and Test Cycle.....	19
<b>6 Customer Service</b> .....	<b>19</b>
6.1 Model number (E-Nr.) and production number (FD) .....	19

---

<sup>1</sup> Depending on the appliance specifications



# IMPORTANT SAFETY INSTRUCTIONS

## READ AND SAVE THESE INSTRUCTIONS

---

Read all of the instructions carefully before using the appliance. In order to reduce the risk of fire, electric shocks and personal injuries when using the appliance, follow the basic safety precautions, including the following safety instructions.

### 1.1 Safety definitions

Here you can find explanations of the safety signal words used in this manual.

#### **WARNING**

This indicates that death or serious injuries may occur as a result of non-observance of this warning.

#### **CAUTION**

This indicates that minor or moderate injuries may occur as a result of non-observance of this warning.

#### **NOTICE:**

This indicates that damage to the appliance or property may occur as a result of non-compliance with this advisory.

**Note:** This alerts you to important information and/or tips.

### 1.2 General information

To reduce the risk of fire, electrical shock, or serious injury, observe the following.

- This appliance is provided with installation instructions and this use and care manual. Read and understand all instructions before using the appliance.
- Keep the manual and the product information in a safe place for future reference or for the next owner.
- Do not connect the appliance if it has been damaged in transit.
- Product damage and/or injury could result from the use of unqualified service technicians or non-original parts. All repairs should be performed by an authorized service provider using only original equipment factory replacement parts.
- NSF/ANSI 184 Certified residential dishwashers are not intended for licensed food establishments.



# IMPORTANT SAFETY INSTRUCTIONS

## READ AND SAVE THESE INSTRUCTIONS

---

### 1.3 Safe Installation

Follow these safety instructions when installing the appliance.

- These instructions are intended for use by qualified installers only. The dishwasher must be installed by a qualified technician or installer.
- The dishwasher drain hose must be installed with a portion of it at least 33" (84 cm) off the floor; otherwise the dishwasher may not drain properly.
- This dishwasher is not for outdoor use. It is intended for indoor residential use only, and should not be used in commercial food service establishments.
- This dishwasher is designed to be enclosed on the top and both sides by cabinetry.
- **NEW INSTALLATION** - If the dishwasher is a new installation, ensure all connections are properly made before the dishwasher is moved into place.
- **REPLACEMENT** - If the dishwasher is replacing another dishwasher, check the existing dishwasher connections for compatibility with the new dishwasher, and replace parts as necessary.
- This appliance has been found to be in compliance with CAN/CSA-C22.2 No. 167/UL 749. It is the responsibility of the owner and the installer to determine if additional requirements and standards apply in specific installations.

#### **WARNING**

Under certain conditions, hydrogen gas may be produced in a hot water system that has not been used for two weeks or more. Hydrogen gas is explosive.

- ▶ Before using a dishwasher that is connected to a hot water system that has been unused for two weeks or longer, turn on all hot water faucets and let the water flow from each for several minutes. This will release any accumulated hydrogen gas. As the gas is explosive, do not smoke or use an open flame during this time.

### 1.4 Electrical safety

Follow these safety instructions to avoid electrical shock.

- The dishwasher must be properly grounded before operating. This appliance must be connected to a grounded metal permanent wiring system or an equipment grounding conductor must be run with the circuit conductors and connected to the equipment grounding terminal or lead on the dishwasher.
- **DO NOT** use an extension cord
- **DO NOT** reuse an old power cord; only use the cord provided.



# IMPORTANT SAFETY INSTRUCTIONS

## READ AND SAVE THESE INSTRUCTIONS

---

- Make sure that the dishwasher is connected to a suitable ground in compliance with all local codes or, in the absence of a local code, with the NATIONAL ELECTRICAL CODE in the United States or the CANADIAN ELECTRIC CODE C22.1-latest edition in Canada as well as any provincial/state or municipal or local codes that apply
- Installations requiring hard wiring and terminal block - The accessory terminal block/junction box model, SMZPCJB1UC, designed for permanent wire connection, is not included but can be ordered through Customer Service by calling 1-800-944-2904. Follow the instructions included with the kit.

### WARNING

#### Avoid Electrical Shock

- ▶ Do not work on an energized circuit. Doing so could result in serious injury or death. Only qualified electricians should perform electrical work. Do not attempt any work on the dishwasher electric supply circuit until you are certain the circuit is de-energized.
- ▶ To avoid possible injury or property damage, care should be exercised when the dishwasher is installed or removed to reduce the likelihood of damage to the power cord.

### WARNING

#### Avoid Fire Hazard

- ▶ Make sure electrical work is properly installed and checked by qualified electricians.
- ▶ Make sure there are no loose electrical connections. Make sure all electrical connections are properly made. Loose and improperly installed electrical connections can result in overheating!

#### Wall outlet connections

- ▶ Only use the provided power cord for wall socket connections.
- ▶ DO NOT attach an extension cord or any type of modified cord or adapter with this appliance.
- ▶ DO NOT cut or splice the power cord.
- ▶ DO NOT alter the power cord in any way.

#### Permanent wire connections (in addition to the warnings above)

- ▶ Only use the junction box power cord, sold as Accessory kit #SMZPCJB1UC.
- ▶ Carefully review the terminal block installation instructions.
- ▶ DO NOT remove, alter or bypass the terminal block.



# **IMPORTANT SAFETY INSTRUCTIONS**

## **READ AND SAVE THESE INSTRUCTIONS**

---

### **1.5 State of California Proposition 65 Warnings**

This product may contain a chemical known to the State of California, which can cause cancer or reproductive harm. Therefore, the packaging of your product may bear the following label as required by California:

**STATE OF CALIFORNIA PROPOSITION 65 WARNING:**

 **WARNING**

Cancer and Reproductive Harm - [\*\*www.P65Warnings.ca.gov\*\*](http://www.P65Warnings.ca.gov)

## 2 Before you begin

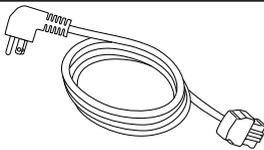
Read these instructions before you begin to install your appliance.

### 2.1 Inspect the Dishwasher

After unpacking the dishwasher and prior to installation, thoroughly inspect the dishwasher for possible freight or cosmetic damage. Report any damage immediately. Cosmetic defects must be reported within 30 days of installation. NOTE: Do not discard any bags or items that come with the original package until after the entire installation has been completed.

### 2.2 Parts Included

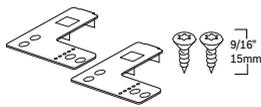
After unpacking all the parts, check for any damage in transit or missing parts.



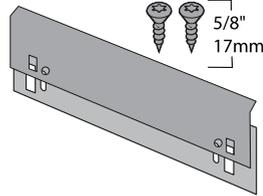
Power Cord



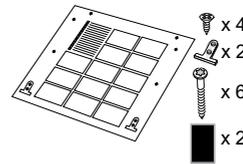
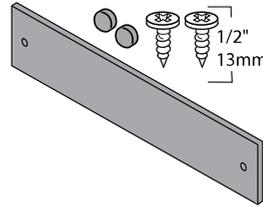
Screw Clamp



Mounting Brackets  
Mounting  
Bracket wood  
screws for  
attaching to  
cabinetry



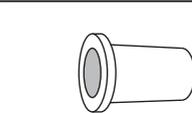
Toe Panel  
\*depending on  
your  
model  
Toe Panel  
Screws



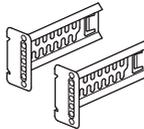
Fully  
integrated  
panel kit and  
instructions  
\*depending  
on your  
model



Water Supply  
Adaptor



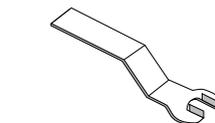
Rubber Drain  
Hose Adaptor



Toe Panel  
Brackets



Side Mount  
Force  
Distributors  
and Screws



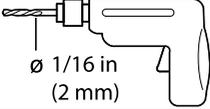
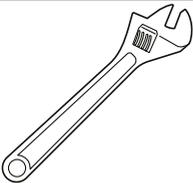
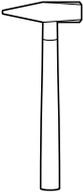
Wrench

**en-us** Before you begin

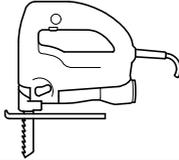
## 2.3 Tools and Parts Needed

Gather these tools and additional parts before beginning the installation of your appliance.

### Tools

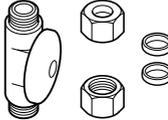
	Power drill
	Measuring tape
	Crosshead screwdriver
	Flat screwdriver
	T-20 Star-head screwdriver
	Adjustable wrench
	Hammer <sup>1</sup>

<sup>1</sup> Depending on the appliance specifications

	Level
	Jigsaw
	Pencil
	Center Punch <sup>1</sup>

<sup>1</sup> Depending on the appliance specifications

### Parts

	Shut-off valve and fittings appropriate for hot water supply line.
--	--

## 2.4 Pre-install Checklist

Ensure that the following requirements are met when planning the installation of your appliance.

### **WARNING**

Avoid Scalding or Electric Shock Hazard

- ▶ Make sure the water supply and electrical supply are shut off before installation or service.
- ▶ Do not allow the electrical and supply lines to touch.

- Select a location as close to the sink as possible for easy access to water supply and drain lines.
- Be sure the unit is installed close enough to the sink so the drain hose length does not exceed 92" (2337 mm) and so that a portion of the drain hose is raised at least 33" above the floor level.
- Ensure that the enclosure is square and the opening is at least 34 1/8" (867 mm) high and 23 5/8" (600 mm) wide.
- Check that the opening in the cabinet is large enough for routing the electric cable, water line, and drain hose, and if not, create a new opening. See → *"Installation Preparation", Page 10*
- If the opening is wood, be sure it is sanded smooth. If it is metal, be sure it is covered by a protective gasket.
- Be sure that your water heater set at 120° F (49° C) and the water pressure measures at 15-145 psi (1-10 bar)
- Determine the mounting method based on the dishwasher model and counter-top type. See → *"Mounting Brackets", Page 12.*
- Only use the included hardware for the installation. If you are replacing a dishwasher, dispose of old hose and other equipment properly.
- To avoid scratching the floor, have floor protection ready for when the dishwasher will be slid into the cabinet.

## 2.5 Electrical Requirements

Ensure that the following electrical requirements are met.

### Dishwasher electrical rating

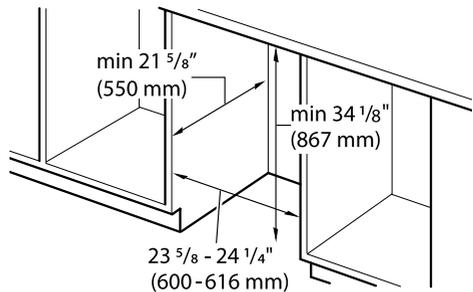
Volts	120
Hertz	60
Amperes	12
Watts	1,440 (max)

### Electrical Supply

The customer has the responsibility of ensuring that the dishwasher electrical installation is in compliance with all national and local electrical codes and ordinances. The dishwasher is designed for an electrical supply of 120V, 60 Hz, AC, connected to a dishwasher-dedicated, properly grounded electrical circuit with a fuse or breaker rated 15 or 20 amps.

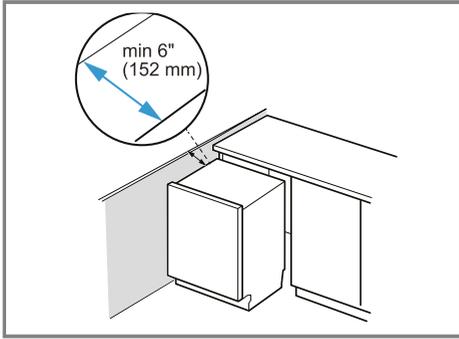
## 2.6 Cabinet Requirements

Ensure that the cabinet space for the installation meets the required dimensions.



**en-us** Installation Preparation

If the dishwasher is to be installed in a corner, ensure that there is adequate clearance to open the door as shown.

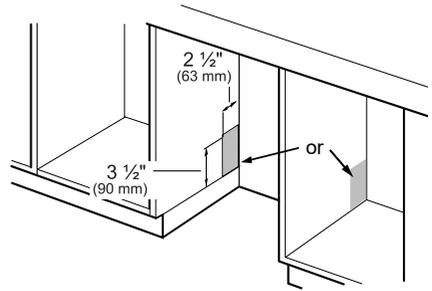


---

### 3 Installation Preparation

After locating the proper place for your dishwasher, create an opening to allow for water, drain and electrical lines on the appropriate side.

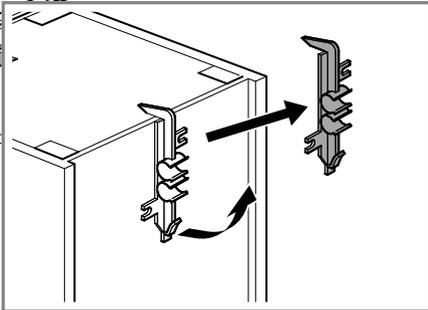
1. Cut a rectangular hole 2.5" x 3.5" in the rear corner on the sink facing side.



If the opening is made through wood, sand it smooth.

If the opening is made through metal, use the Edge Protector with Power Cord clips Kit SMZEPCC1UC.

2. Remove the hose clip from the back of the dishwasher.



It can be used later to hold the drain hose inside your cabinet.

## 4 Installation Procedure

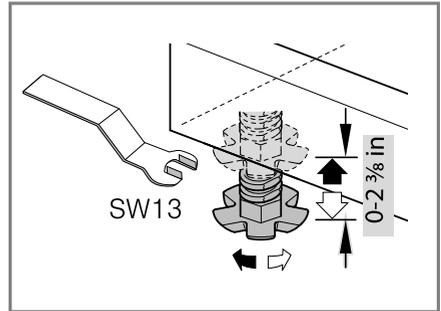
Follow these instructions to install the dishwasher.

### 4.1 Pre-level the Dishwasher

Set the dishwasher to the correct height before it goes into the cabinet.

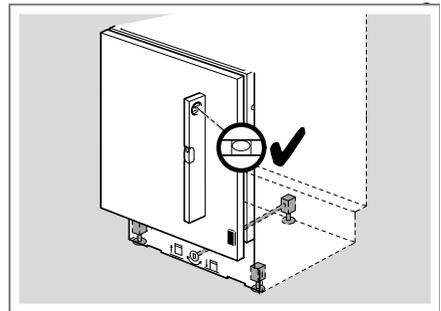
1. Measure the height of the cabinet opening.

2. Raise the front of the dishwasher to approximately 1/2" lower than the height of the opening by turning the feet clockwise.



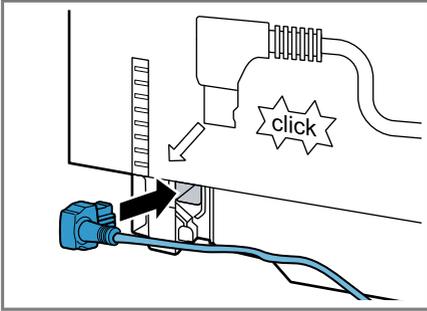
You can raise the rear foot after the unit is in the cabinet opening.

3. Use a level on the top front to see that both feet are even.



## 4.2 Attach Power Cord

- ▶ Plug the end of the supply cord into the back of the dishwasher.
  - Be sure to push it all the way in until fully seated.



The outlet for the power supply cord should be located in a cabinet or wall adjacent to the dishwasher cabinet.

Do not plug dishwasher into the wall outlet until all the steps of the installation are complete.

### Notes

- If you require a permanent wiring connection, order kit junction box accessory kit SMZPCJB1UC.
- If local electrical codes require clips to secure the power cord wire to the dishwasher, use accessory kit SMZEPC1UC.

## 4.3 Mounting Brackets

Before installing the supplied mounting brackets, decide which method of securing the dishwasher into its enclosure will be used, top (wood or porous material) or side (stone or solid surface). Once the mounting brackets are installed on the dishwasher, removing them is difficult and will

damage the mounting brackets and the dishwasher. If you have a Fully Integrated Panel, do not attach mounting brackets until after attaching the panel to the door.

### ⚠ WARNING

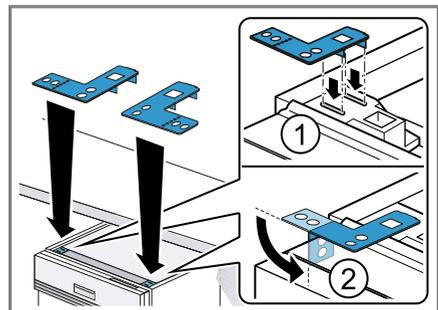
Avoid tip over hazard

- ▶ Do not use the dishwasher until it is completely installed. When opening the door on an uninstalled dishwasher, carefully open the door while supporting the rear of the unit. Failure to follow this warning can result in serious injury.

### Top and Side Mount

For openings wider than 23 5/8" (600 mm), use the metal mounting brackets. Top mount is for wood or other materials that can easily be drilled into. Side mount is for stone countertops or another hard material that cannot easily be drilled. Both use the same mounting brackets, but the difference is the screw placement.

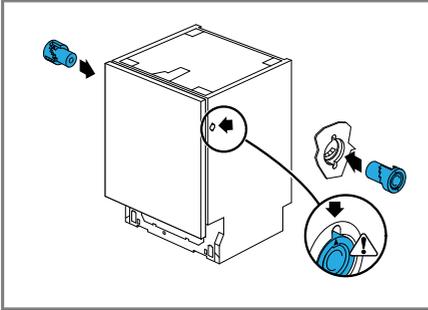
- ▶ Orient the mounting brackets as shown and position the tabs into openings on the dishwasher's front corners.
  - For side mount, bend the brackets down at the perforation.



## Side Mount Force Distributor

The side mount force distributors are for cabinet openings that are 23 5/8".

- ▶ Insert a side mount force distributor into the opening in each side. Make sure it is flush with the dishwasher.



## 4.4 Install Dishwasher in Cabinet Space

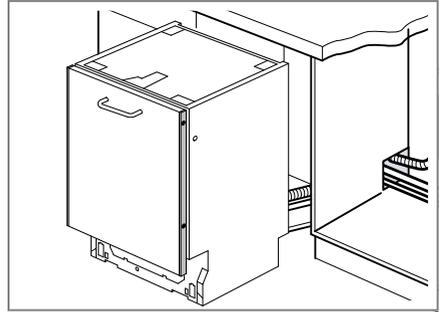
To avoid scratching the floor, use floor protection and caution when sliding the dishwasher into the cabinet.

### **NOTICE:**

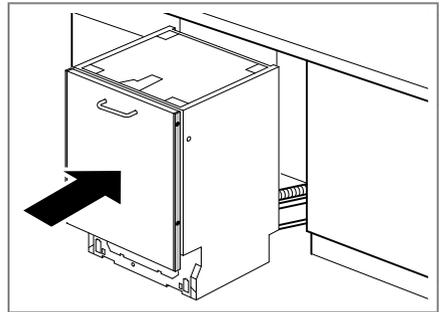
Avoid Hose Kinks

- ▶ Be careful while pushing dishwasher in. The hoses can fold, kink or break, potentially causing an obstruction or leak.

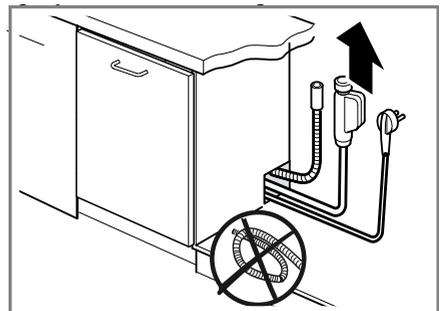
1. Feed the power cord and hoses through the low hole in the cabinet.



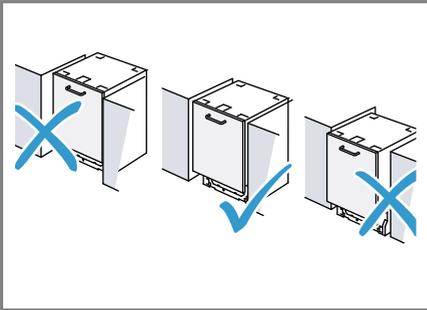
2. Carefully and slowly push the dishwasher into the cabinet space.



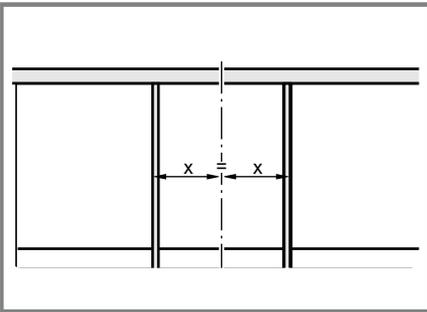
3. Reach into adjacent cabinet and pull hoses and excess power cord through completely so they do not get kinked.



4. Finally, push the unit in until flush with cabinet door.



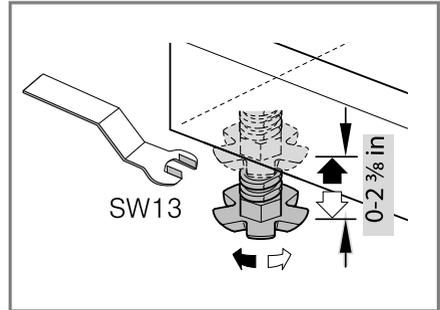
5. Center the dishwasher in the opening.



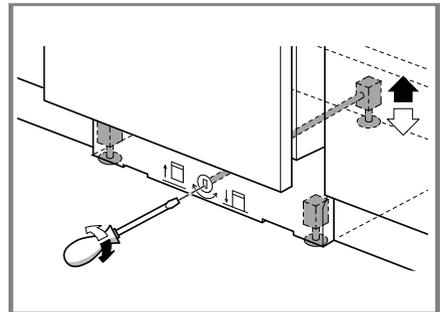
## 4.5 Level the Dishwasher

Now that the dishwasher is in the cabinet, check the levels again.

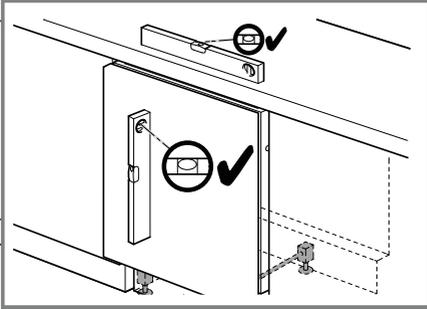
1. Level side to side by turning feet clockwise to raise or counter-clockwise to lower front.



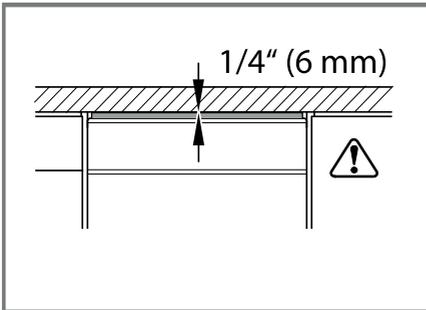
2. Level front to back by turning center screw clockwise to raise or counter-clockwise to lower the back.



3. Use a level to check that your dishwasher is level.
  - Ensure that the countertop is level and adjust the dishwasher to the countertop.

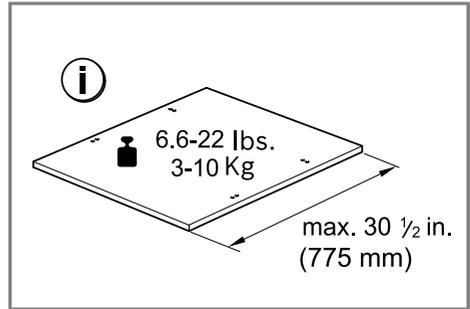


4. Make sure the top of the door is no less than 1/4" (6 mm) from the underside of the counter.



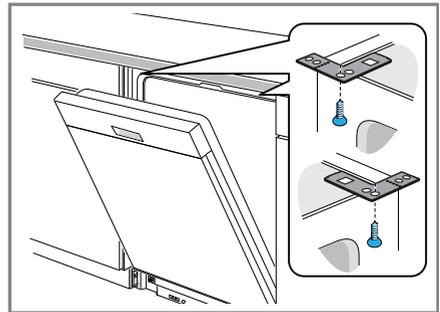
#### 4.6 Outer Door Assembly<sup>1</sup>

- ▶ Follow the instructions for outer door assembly on the fully integrated template.

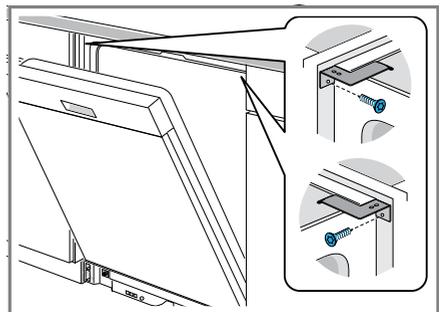


#### 4.7 Secure Top and Side Mount

1. For top mount, drive the mounting screws through the holes in the bracket into the countertop.



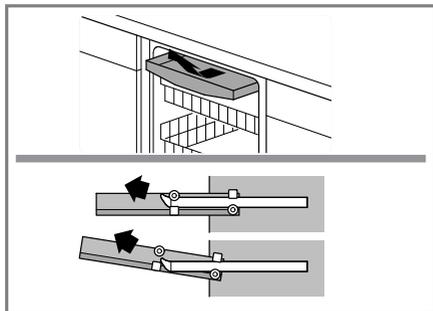
2. For side mount, drive the mounting screws through the holes in the sides of the cabinetry.



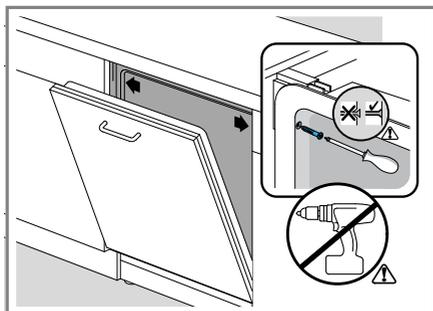
<sup>1</sup> Depending on the appliance specifications

## en-us Dishwasher Connection

3. If using the force distributor side mounts, first remove the cutlery rack.<sup>1</sup>



4. Drive the mounting screws through the holes inside the dishwasher.



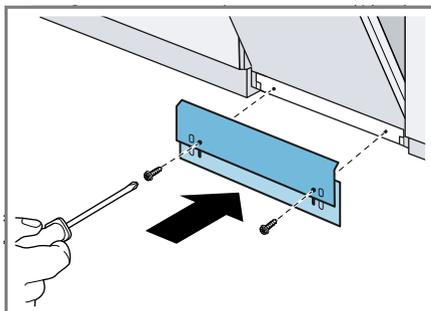
5. Re-insert the cutlery rack.

### 4.8 Attach the 2-part Toe Panel

1. Place the slotted toe panel on the dishwasher.
  - It should rest on the floor.
2. Position the mating front toe panel on top of the rear toe panel with the angled edge on the mating edge of the dishwasher.

3. To secure the toe panels, drive the two black torx screws through the holes in the toe panel and the dishwasher base.

- To avoid damaging the dishwasher, use the supplied screws.



---

## 5 Dishwasher Connection

Follow these instructions to connect the dishwasher.

### 5.1 Installing the Water Inlet Connection

The hot water heater should be set to deliver approximately 120 °F (49 °C) [max. 140 °F/ (60 °C)] water to the dishwasher. Water that is too hot can cause some detergents to lose effectiveness. Lower water

---

<sup>1</sup> Depending on the appliance specifications

temperatures will increase run times. The hot water supply pressure must be between 7.25 - 145 psi (0.5 - 10 bar).

### **⚠ WARNING**

#### Scalding Hazard

- ▶ Do not perform any work on a pressured hot water line. Serious injury could result. Only qualified plumbers should perform plumbing work. Do not attempt any work on the dishwasher hot water supply plumbing until you are certain the hot water supply is shut off.

### **NOTICE:**

#### Soldering plumbing lines

- ▶ Temperatures required for soldering and sweating will damage the dishwasher. If plumbing lines are to be soldered or sweated, keep the heat source at least 6 inches (152.4 mm) away from the dishwasher.

#### Plumbing codes

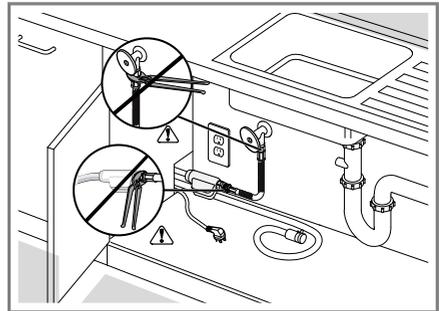
- ▶ Check local plumbing codes for approved plumbing procedures and accessories. All plumbing should be done in accordance with national and local codes.

### **Note**

#### Important notes for water connection:

- If using a solder joint instead of a compression fitting, be sure to complete all solder connections before connecting the water supply line to the dishwasher.
- Use an approved dishwasher water supply line with the correct fittings for this connection.

- If using copper tubing or other material not depicted in this manual for water supply, defer to a licensed plumber for proper installation.
  - Always use appropriate seals when making plumbing connections.
1. Flush the incoming water line for approximately 1 minute to clear any foreign material.
  2. Connect the dishwasher water supply line to the water shut off valve, using the adaptor if included with your model. Turn by hand and do not over tighten.
    - Install a shut off valve if one isn't already in the supply line.
    - Make sure there are no sharp bends or kinks in the water line that might restrict water flow.



3. After all connections are made, turn on the hot water and check for leaks.

## 5.2 Installing the Drain Connection

The drain hose must be installed with either a high loop or an air gap.

### NOTICE:

Proper drain hose installation

- ▶ The dishwasher drain hose must be installed with a portion of it at least 33" (84 cm) off the floor; otherwise the dishwasher may not drain properly.

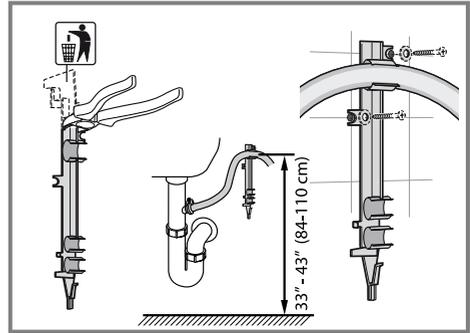
Remove garbage disposal plug

- ▶ If the dishwasher drain hose will be connected to a garbage disposal connection, first remove the plug from the disposal connection.

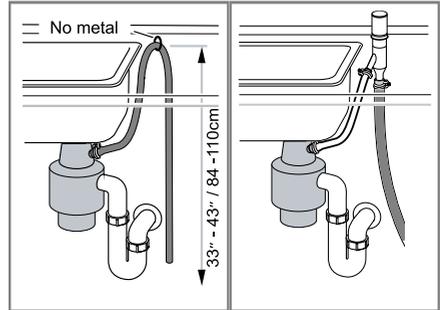
### Note

Important notes for drain connection:

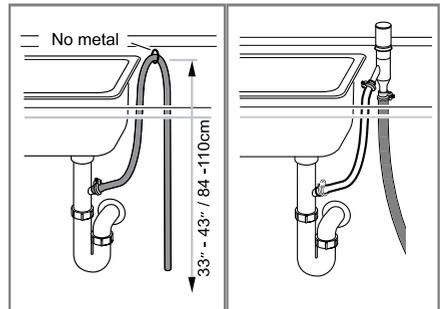
- If local ordinance require an air gap, install it according to the manufacturer's instructions.
- The drain hose length can be extended if necessary. Use kit #SGZ1010UC. The maximum length of the drain hose, including the hose leading to the air gap, is 150" (380 cm).
- You may attach the hose clip to the inside of the adjacent cabinet to hang the drain hose (screws are not supplied) in place of using a nonmetallic tie as pictured in the next illustrations. Do not exceed 43" in drain hose height.



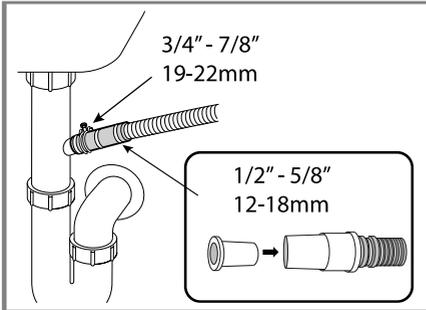
1. Place hose clamp around end of drain hose BEFORE connecting to the plumbing.
2. If you have a garbage disposal, connect the drain hose to the garbage disposal with either a high loop or an air gap.



3. If you do not have a garbage disposal, connect the drain hose to the drain connection with either a high loop or an air gap.



4. Insert the included drain hose adaptor before connecting to the plumbing.
5. Tighten the hose clamp around the house plumbing.



### 5.3 Electrical Connection and Test Cycle

1. For wall outlet connections, plug the dishwasher into the outlet.
2. Turn on power supply.
3. Make sure the water supply is on.
4. Turn the dishwasher on and run a test cycle for 15 minutes.
5. Check to make sure the cycle operates and there are no leaks while it is running.
6. Stop the cycle and turn off the dishwasher.
7. Your installation is complete.

---

## 6 Customer Service

With any warranty repair, we will make sure your appliance is repaired by an authorized service provider using

genuine replacement parts. We use only genuine replacement parts for all repairs.

Detailed information on the warranty period and terms of warranty can be found in the Statement of Limited Product Warranty, from your retailer, or on our website.

If you contact Customer Service, you will need the model number (E-Nr.) and the production number (FD) of your appliance.

USA:

1-800-944-2904

[www.bosch-home.com/us/owner-support/get-support](http://www.bosch-home.com/us/owner-support/get-support)

[www.bosch-home.com/us/shop](http://www.bosch-home.com/us/shop)

CA:

1-800-944-2904

[www.bosch-home.ca/en/service/get-support](http://www.bosch-home.ca/en/service/get-support)

[www.bosch-home.ca/en/service/cleaners-and-accessories](http://www.bosch-home.ca/en/service/cleaners-and-accessories)

### 6.1 Model number (E-Nr.) and production number (FD)

You can find the model number (E-Nr.) and the production number (FD) on the appliance's rating plate.

The rating plate is located inside the appliance door.

Making a note of your appliance's details and the Customer Service telephone number will enable you to find them again quickly.

# Table des matières

## 1 IMPORTANTES CONSIGNES

### DE SÉCURITÉ..... 21

- 1.1 Définitions des termes de sécurité ..... 21
- 1.2 Informations générales..... 21
- 1.3 Installation sûre ..... 22
- 1.4 Sécurité électrique ..... 23
- 1.5 Mises en garde conformément à la proposition 65 de l'État de Californie..... 24

### 2 Avant de commencer..... 25

- 2.1 Inspecter le lave-vaisselle ..... 25
- 2.2 Pièces incluses ..... 25
- 2.3 Outils et pièces nécessaires..... 26
- 2.4 Liste de contrôle avant l'installation ..... 27
- 2.5 Exigences électriques ..... 27
- 2.6 Exigences concernant les armoires..... 28

### 3 Préparation avant l'installation..... 28

### 4 Procédure d'installation ..... 29

- 4.1 Mise à niveau préalable du lave-vaisselle ..... 29
- 4.2 Fixer le cordon d'alimentation ... 30
- 4.3 Équerres de fixation ..... 30
- 4.4 Installer un lave-vaisselle dans un meuble ..... 31
- 4.5 Mise à niveau du lave-vaisselle ..... 33
- 4.6 Assemblage de la porte extérieure<sup>1</sup> ..... 33

- 4.7 Fixer le montage par le haut et latéral ..... 34
- 4.8 Fixez la plinthe en 2 pièces ..... 35

### 5 Raccordement du lave-vaisselle..... 35

- 5.1 Installation de l'arrivée d'eau ..... 35
- 5.2 Installation du raccord d'évacuation..... 36
- 5.3 Connexion électrique et cycle d'essai..... 38

### 6 Service à la clientèle ..... 38

- 6.1 Numéro de modèle (E-Nr.) et numéro de fabrication (FD) ..... 38

---

<sup>1</sup> selon l'équipement de l'appareil



# IMPORTANTES CONSIGNES DE SÉCURITÉ

## LIRE ET CONSERVER CES INSTRUCTIONS

---

Lisez attentivement toutes les instructions avant d'utiliser l'appareil. Afin de réduire les risques d'incendie, d'électrocution et de blessures corporelles lorsque vous utilisez l'appareil, suivez les précautions de base, et notamment les consignes de sécurité suivantes.

### 1.1 Définitions des termes de sécurité

Vous trouverez ici des explications sur les mots de signalisation de sécurité utilisés dans ce manuel.

#### **AVERTISSEMENT**

Signale un risque de mort ou de blessure grave si l'avertissement n'est pas respecté.

#### **MISE EN GARDE**

Signale un risque de blessures mineures ou modérées si l'avertissement n'est pas respecté.

#### **AVIS :**

Ceci indique que la non-conformité à cet avis de sécurité peut entraîner des dégâts matériels ou endommager l'appareil.

**Remarque :** Ceci vous signale des informations et/ou indications importantes.

### 1.2 Informations générales

Pour réduire le risque d'incendie, de choc électrique, ou de blessures graves, respectez les consignes suivantes.

- Cet appareil contient une notice d'installation et la présente notice d'utilisation. Veuillez lire et comprendre toutes les notices avant d'utiliser l'appareil.
- Veuillez conserver la notice et les renseignements sur le produit en vue d'une réutilisation ultérieure ou pour un futur nouveau propriétaire.
- Ne branchez pas l'appareil si ce dernier a été endommagé durant le transport.
- Le recours à des techniciens non qualifiés ou à des pièces de rechange non d'origine risque d'endommager le produit ou d'entraîner des blessures. Tous les travaux de réparation doivent être effectués par un technicien qualifié utilisant uniquement des pièces de rechange d'origine.
- Les lave-vaisselle domestiques certifiés NSF/ANSI 184 ne sont pas destinés aux établissements de services alimentaires agréés.



# IMPORTANTES CONSIGNES DE SÉCURITÉ

LIRE ET CONSERVER CES INSTRUCTIONS

---

## 1.3 Installation sûre

Suivez les consignes de sécurité suivantes lors de l'installation de l'appareil.

- Ces instructions d'installation sont destinées à des installateurs qualifiés uniquement. Le lave-vaisselle doit être installé par un technicien ou un installateur qualifié.
- Le tuyau d'évacuation du lave-vaisselle doit être installé avec une partie de celui-ci à au moins 33 po (84 cm) du sol, sinon le lave-vaisselle risque de ne pas s'écouler correctement.
- Ce lave-vaisselle ne doit pas être utilisé à l'extérieur. Il est destiné à un usage résidentiel intérieur uniquement et ne doit pas être utilisé dans les établissements de restauration commerciale.
- Ce lave-vaisselle est conçu pour être entouré d'armoires sur le dessus et les deux côtés.
- NOUVELLE INSTALLATION - Si le lave-vaisselle est une nouvelle installation, assurez-vous que tous les raccordements sont correctement effectués avant de mettre le lave-vaisselle en place.
- REMPLACEMENT - Si le lave-vaisselle remplace un autre lave-vaisselle, assurez-vous que les raccordements du lave-vaisselle existant sont compatibles avec le nouveau lave-vaisselle et remplacez les pièces si nécessaire.
- Cet appareil a été jugé conforme à la norme CAN/CSA-C22.2 n° 167/UL 749. Il est de la responsabilité du propriétaire et de l'installateur de déterminer si des exigences et des normes supplémentaires s'appliquent à des installations spécifiques.

### AVERTISSEMENT

Sous certaines conditions, de l'hydrogène gazeux peut se créer dans un système d'eau chaude inutilisé pendant deux semaines ou plus. L'hydrogène gazeux est de nature explosive.

- ▶ Avant d'utiliser un lave-vaisselle connecté à un système d'eau chaude inutilisé pendant deux semaines ou plus, ouvrir tous les robinets d'eau chaude et laisser l'eau s'écouler pendant plusieurs minutes. Ceci libérera toute accumulation d'hydrogène gazeux. Compte tenu de la nature explosive du gaz, éviter de fumer ou d'utiliser des flammes nues à ce moment.



# IMPORTANTES CONSIGNES DE SÉCURITÉ

## LIRE ET CONSERVER CES INSTRUCTIONS

### 1.4 Sécurité électrique

Suivez les consignes de sécurité suivantes pour éviter tout choc électrique.

- Le lave-vaisselle doit être correctement mis à la terre avant de fonctionner. Cet équipement doit être branché à un système de câblage permanent en métal et mis à la terre, ou un conducteur de mise à la terre d'équipement doit être intégré aux conducteurs d'alimentation et connecté au terminal de mise à la masse de l'équipement ou à la broche de raccordement du lave-vaisselle.
- N'utilisez PAS de rallonge
- Ne réutilisez PAS un vieux cordon d'alimentation; utilisez uniquement le cordon fourni.
- Assurez-vous que le lave-vaisselle est correctement relié à la terre conformément à tous les codes municipaux ou, en l'absence de code municipal, au NATIONAL ELECTRICAL CODE aux États-Unis ou au CODE CANADIEN DE L'ÉLECTRICITÉ C22.1 (dernière édition) au Canada, ainsi qu'à tous les codes provinciaux/étatiques ou municipaux applicables
- Installations nécessitant un câblage réel et un bornier - Le modèle accessoire de bornier/boîte de jonction, SMZPCJB1UC, conçu pour un branchement permanent des fils, peut être commandé auprès du service à la clientèle au 1-800-944-2904. Suivez les instructions fournies avec la trousse.

#### AVERTISSEMENT

Éviter les chocs électriques

- ▶ Ne travaillez pas sur un circuit sous tension. Cela pourrait entraîner des blessures graves ou la mort. Seuls des électriciens qualifiés doivent effectuer des travaux électriques. Ne tentez pas de travailler sur le circuit d'alimentation électrique du lave-vaisselle avant d'être certain que le circuit est hors tension.
- ▶ Pour éviter toute blessure ou tout dommage matériel, faites attention lors de l'installation ou du retrait du lave-vaisselle afin de réduire la probabilité d'endommager le cordon d'alimentation.

#### AVERTISSEMENT

Éviter les risques d'incendie

- ▶ Assurez-vous que les travaux électriques sont correctement effectués et contrôlés par des électriciens qualifiés.



# IMPORTANTES CONSIGNES DE SÉCURITÉ

## LIRE ET CONSERVER CES INSTRUCTIONS

- ▶ Assurez-vous qu'il n'y a pas de connexions électriques lâches. Assurez-vous que toutes les connexions électriques sont correctement effectuées. Des connexions électriques lâches et mal installées peuvent entraîner une surchauffe!

### Prises murales

- ▶ Utilisez uniquement le câble d'alimentation fourni pour brancher l'appareil dans une prise murale.
- ▶ N'attachez PAS de rallonge, un autre type de câble modifié ou un adaptateur avec cet appareil.
- ▶ ÉVITEZ de fendre ou de trancher le câble d'alimentation.
- ▶ ÉVITEZ de modifier le câble d'alimentation d'une façon quelconque.

### Connexions permanentes de fils (en plus des avertissements ci-dessus)

- ▶ Utilisez uniquement le cordon d'alimentation de la boîte de jonction, vendu comme la trousse d'accessoires #SMZPCJB1UC.
- ▶ Lisez attentivement les instructions d'installation du bornier.
- ▶ Ne retirez, ne modifiez et ne contournez PAS le bornier.

## 1.5 Mises en garde conformément à la proposition 65 de l'État de Californie

Ce produit pourrait contenir un produit chimique reconnu par l'État de la Californie comme cancérigène ou ayant des effets nocifs sur la reproduction. Par conséquent, vous pourriez devoir apposer l'étiquette suivante sur l'emballage du produit comme requis par la Californie :

### AVERTISSEMENT ISSUE DE LA PROPOSITION 65 DE L'ÉTAT DE LA CALIFORNIE :

#### AVERTISSEMENT

Cancer et dommages à la reproduction -  
[www.P65Warnings.ca.gov](http://www.P65Warnings.ca.gov)

## 2 Avant de commencer

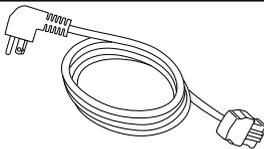
Lisez ces instructions avant de commencer l'installation de votre appareil.

### 2.1 Inspecter le lave-vaisselle

Après avoir déballé le lave-vaisselle et avant de l'installer, inspectez-le minutieusement à la recherche d'éventuelles marchandises ou de dommages esthétiques. Signalez immédiatement tout dommage. Les défauts esthétiques doivent être signalés dans les 30 jours suivant l'installation. **REMARQUE** : Ne jetez pas les sacs ou les articles qui se trouvent dans l'emballage d'origine avant d'avoir terminé l'installation.

### 2.2 Pièces incluses

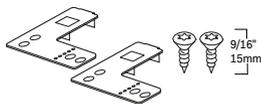
Après avoir déballé toutes les pièces, assurez-vous que toutes les pièces sont présentes et n'ont pas été endommagées durant le transport.



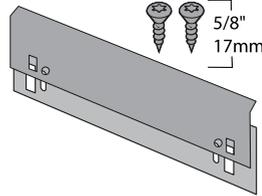
Cordon d'alimentation



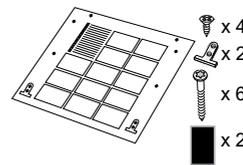
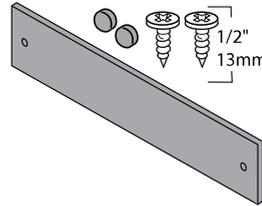
Pince à capot



Équerres de fixation  
Vis à bois de l'équerre de montage pour la fixation à l'armoire



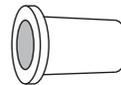
Plinthe \*selon votre modèle  
Vis de plinthe



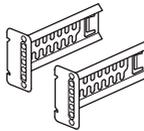
Trousse de panneaux entièrement intégrée et instructions \*selon votre modèle



Adaptateur d'arrivée d'eau



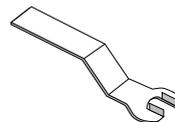
Adaptateur de tuyau d'évacuation en caoutchouc



Équerres de plinthe



Distributeurs de force pour le montage latéral et vis

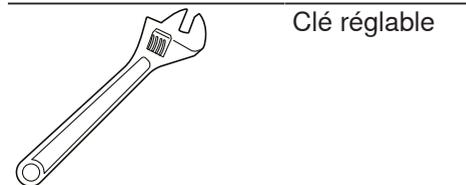
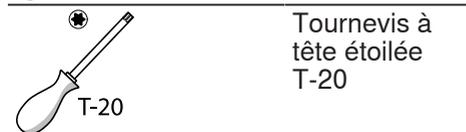
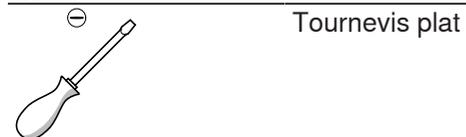
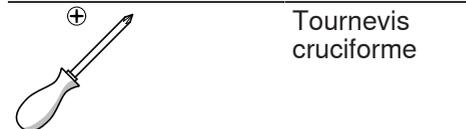
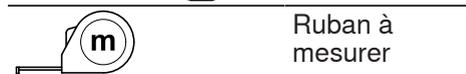
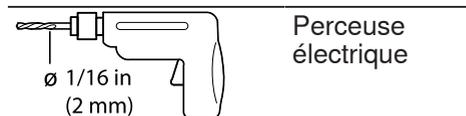


Clé à molette

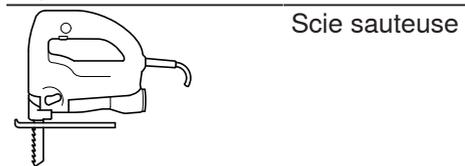
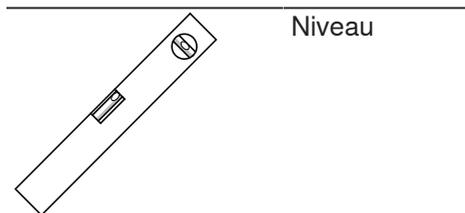
## 2.3 Outils et pièces nécessaires

Rassemblez les outils et pièces supplémentaires suivants avant de commencer l'installation de votre appareil.

### Outils

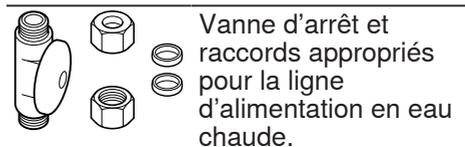


<sup>1</sup> selon l'équipement de l'appareil



<sup>1</sup> selon l'équipement de l'appareil

### Pièces



## 2.4 Liste de contrôle avant l'installation

Assurez-vous que les conditions suivantes sont remplies lors de la planification de l'installation de votre appareil.

### AVERTISSEMENT

Éviter les risques d'échaudage ou de choc électrique

- ▶ Assurez-vous que l'alimentation en eau et l'alimentation électrique sont fermées avant l'installation ou l'entretien.
- ▶ Ne laissez pas les lignes électriques et d'alimentation se toucher.
- Choisissez un emplacement aussi proche que possible de l'évier pour faciliter l'accès aux conduites d'alimentation en eau et d'évacuation.
- Assurez-vous que l'appareil est installé suffisamment près de l'évier de sorte que la longueur du tuyau d'évacuation ne dépasse pas 92 po (2337 mm) et qu'une partie du tuyau d'évacuation soit surélevée d'au moins 33 po par rapport au niveau du sol.
- Assurez-vous que l'enceinte est carrée et que l'ouverture est d'au moins 34 1/8 po (867 mm) de haut et 23 5/8 po (600 mm) de large.
- Assurez-vous que l'ouverture dans l'armoire est suffisamment grande pour faire passer le câble électrique, la conduite d'eau et le tuyau d'évacuation, et si ce n'est pas le cas, pratiquez une nouvelle

ouverture. Voir

→ *"Préparation avant l'installation", Page 28*

- Si l'ouverture est en bois, veillez à ce qu'elle soit bien poncée. Si elle est en métal, assurez-vous qu'elle est recouverte d'un joint de protection.
- Assurez-vous que votre chauffe-eau est réglé à 49° C (120° F) et que la pression de l'eau est comprise entre 15 et 145 psi (1 à 10 bars)
- Déterminez la méthode de montage en fonction du modèle de lave-vaisselle et du type de comptoir. Voir  
→ *"Équerres de fixation", Page 30.*
- Utilisez uniquement le matériel fourni pour l'installation. Si vous remplacez un lave-vaisselle, éliminez les anciens tuyaux et autres équipements de manière appropriée.
- Pour éviter de rayer le sol, préparez une protection pour le sol lorsque le lave-vaisselle sera glissé dans l'armoire.

## 2.5 Exigences électriques

Assurez-vous que les exigences électriques suivantes sont respectées.

### Caractéristiques électriques du lave-vaisselle

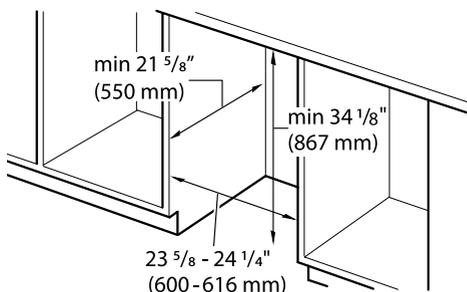
Volts	120
Hertz	60
Ampères	12
Watts	1 440 (max)

## Alimentation électrique

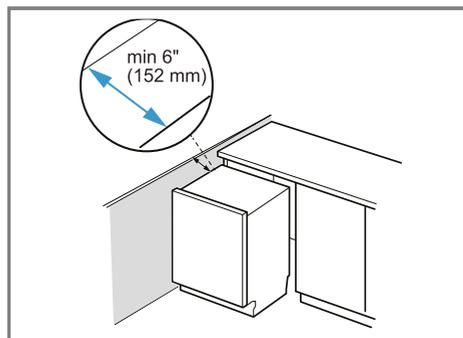
Le client a la responsabilité de s'assurer que l'installation électrique du lave-vaisselle est conforme à tous les codes et ordonnances électriques nationaux et municipaux. Le lave-vaisselle est conçu pour une alimentation électrique de 120 V, 60 Hz, CA, branchée à un circuit électrique dédié au lave-vaisselle, correctement mis à la terre, avec un fusible ou un disjoncteur de 15 ou 20 ampères.

## 2.6 Exigences concernant les armoires

Assurez-vous que l'espace de l'armoire pour l'installation correspond aux dimensions requises.



Si le lave-vaisselle doit être installé dans un coin, prévoyez un dégagement suffisant pour ouvrir la porte comme indiqué.

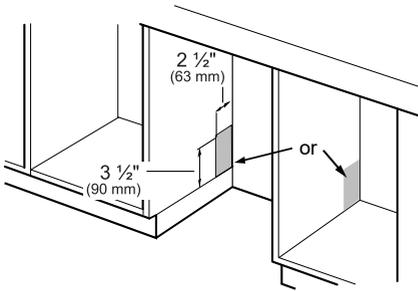


## 3 Préparation avant l'installation

Après avoir trouvé l'emplacement approprié pour votre lave-vaisselle, créez une ouverture pour permettre le

passage de l'eau, de l'évacuation et des lignes électriques du côté approprié.

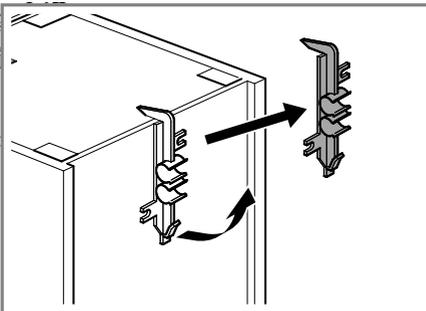
1. Découpez un trou rectangulaire de 2,5 x 3,5 po dans le coin arrière du côté de l'évier.



Si l'ouverture est pratiquée à travers le bois, sablez-la.

Si l'ouverture est pratiquée à travers du métal, utilisez la trousse de protection des bords avec clips pour cordon d'alimentation SMZEPCC1UC.

2. Retirez le collier de serrage du tuyau à l'arrière du lave-vaisselle.



Il pourra être utilisé ultérieurement pour maintenir le tuyau d'évacuation à l'intérieur de votre armoire.

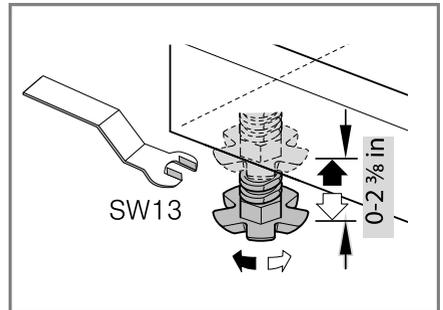
## 4 Procédure d'installation

Suivez les instructions suivantes pour installer le lave-vaisselle.

### 4.1 Mise à niveau préalable du lave-vaisselle

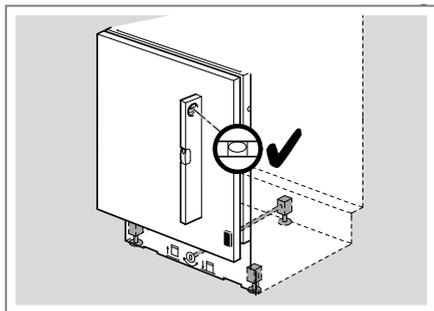
Réglez le lave-vaisselle à la bonne hauteur avant de l'insérer dans le meuble.

1. Mesurez la hauteur de l'ouverture de l'armoire.
2. Relevez l'avant du lave-vaisselle jusqu'à ce qu'il soit environ 1/2 po plus bas que la hauteur de l'ouverture en tournant les pieds dans le sens des aiguilles d'une montre.



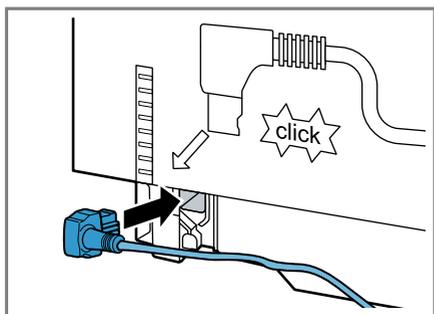
Vous pouvez relever le pied arrière une fois que l'appareil est dans l'ouverture du meuble.

- Utilisez un niveau sur la partie supérieure avant pour vérifier que les deux pieds sont égaux.



## 4.2 Fixer le cordon d'alimentation

- Raccordez l'extrémité du cordon d'alimentation à l'arrière du lave-vaisselle.
  - Veillez à l'enfoncer à fond jusqu'à ce qu'il soit complètement en place.



La prise pour le cordon d'alimentation doit être située dans une armoire ou un mur adjacent au meuble du lave-vaisselle. Ne branchez pas le lave-vaisselle dans la prise murale tant que toutes les étapes de l'installation ne sont pas terminées.

## Remarques

- Si vous avez besoin d'une connexion de câblage permanente, commandez la trousse d'accessoires pour boîte de jonction SMZPCJB1UC.
- Si les codes électriques locaux exigent des attaches pour fixer le fil du cordon d'alimentation au lave-vaisselle, utilisez la trousse d'accessoires SMZEPCC1UC.

## 4.3 Équerres de fixation

Avant d'installer les équerres de fixation fournies, décidez de la méthode de fixation du lave-vaisselle dans son enceinte : par le haut (bois ou matériau poreux) ou latérale (pierre ou surface solide). Une fois les équerres de fixation installées sur le lave-vaisselle, les retirer devient difficile et endommagerait tant les supports de montage et le lave-vaisselle. Si vous avez un panneau entièrement intégré, ne fixez pas les équerres de fixation avant d'avoir fixé le panneau à la porte.

### ⚠ AVERTISSEMENT

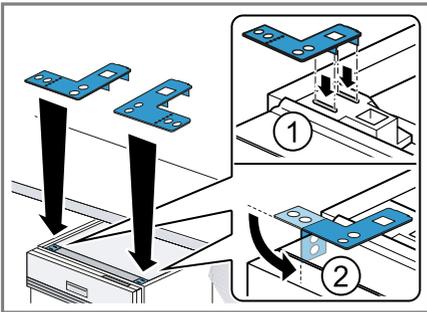
Éviter les risques de basculement

- N'utilisez pas le lave-vaisselle avant qu'il ne soit complètement installé. Lorsque vous ouvrez la porte d'un lave-vaisselle non installé, ouvrez-la avec précaution tout en soutenant l'arrière de l'appareil. Le non-respect de cet avertissement peut entraîner des blessures graves.

## Montage par le haut et latéral

Pour les ouvertures de plus de 23 5/8 po (600 mm), utilisez les équerres de fixation en métal. Le montage par le haut est utilisé avec le bois ou autres matériaux qui peuvent être facilement percés. Le montage latéral est utilisé avec les comptoirs en pierre ou à d'autres matériaux durs qui ne peuvent pas être facilement percés. Les deux utilisent les mêmes équerres de fixation; seul l'emplacement des vis diffère.

- ▶ Orientez les équerres de fixation comme indiqué et placez les languettes dans les ouvertures des coins avant du lave-vaisselle.
  - Pour le montage latéral, plier les équerres vers le bas au niveau de la perforation.



## Distributeur de force pour le montage latéral

Les distributeurs de force pour le montage latéral sont destinés aux ouvertures d'armoire de 23 5/8 po.

- ▶ Insérer un distributeur de force pour le montage latéral dans l'ouverture de chaque côté. Veillez à ce qu'il soit à ras avec le lave-vaisselle.



## 4.4 Installer un lave-vaisselle dans un meuble

Pour éviter de rayer le sol, utilisez des protections de sol et faites attention lorsque vous faites glisser le lave-vaisselle dans le meuble.

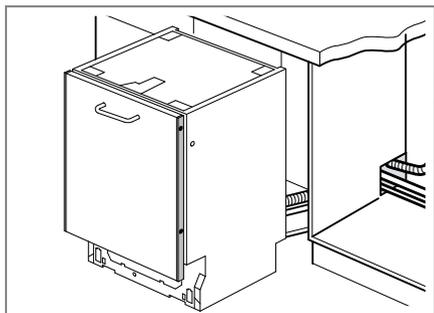
### **AVIS :**

Évitez les plis du tuyau

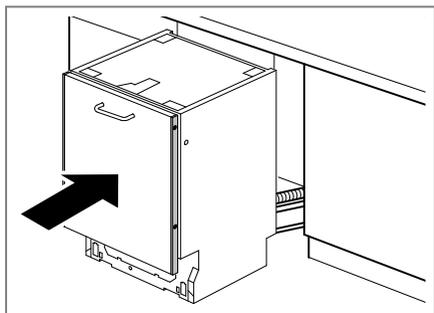
- ▶ Faites attention en poussant le lave-vaisselle. Les tuyaux peuvent se plier, se tordre ou se casser, ce qui peut provoquer une obstruction ou une fuite.

## fr-ca Procédure d'installation

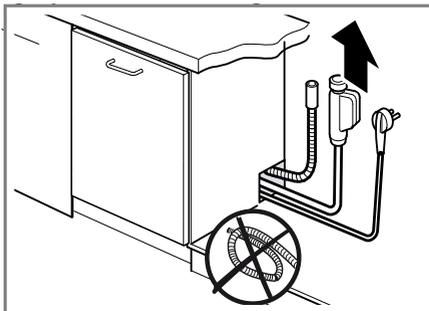
1. Faites passer le cordon d'alimentation et les tuyaux par le trou inférieur du meuble, puis ajoutez les tuyaux.



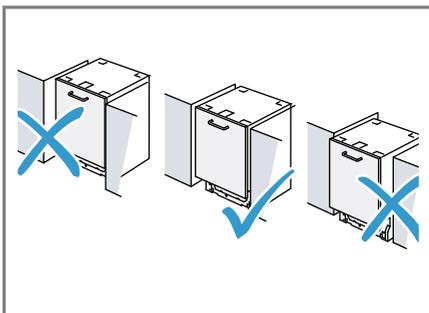
2. Poussez lentement et avec précaution le lave-vaisselle dans l'espace du meuble.



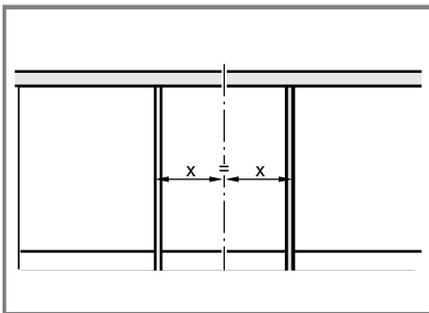
3. Passez la main dans le meuble adjacente et sortez complètement les tuyaux et l'excédent de cordon d'alimentation afin qu'ils ne soient pas pliés.



4. Enfin, poussez l'unité jusqu'à ce qu'elle affleure la porte du meuble.



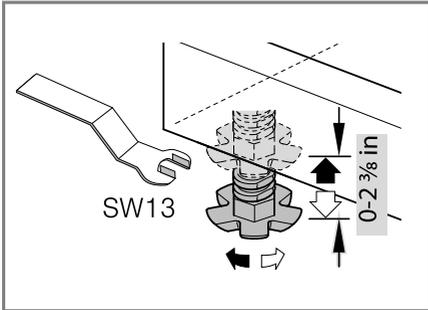
5. Centrez le lave-vaisselle dans l'ouverture.



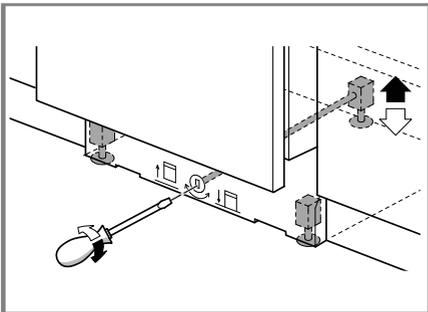
## 4.5 Mise à niveau du lave-vaisselle

Maintenant que le lave-vaisselle est dans le meuble, vérifiez à nouveau les niveaux.

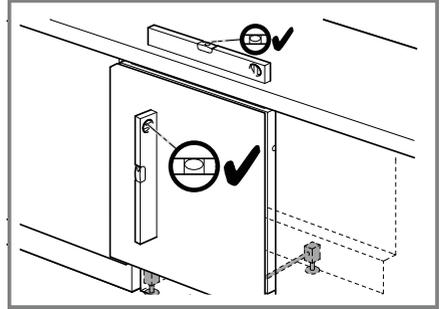
1. Nivelez d'un côté à l'autre en tournant les pieds dans le sens des aiguilles d'une montre pour relever l'avant ou dans le sens inverse pour l'abaisser.



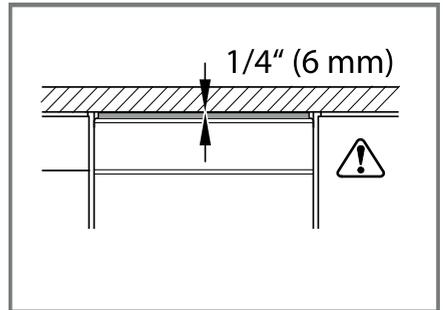
2. Mettez l'avant et l'arrière à niveau en tournant la vis centrale dans le sens des aiguilles d'une montre pour relever l'arrière ou dans le sens inverse pour l'abaisser.



3. Utilisez un niveau pour vérifier que votre lave-vaisselle est de niveau.
  - Vérifiez que le comptoir est de niveau et ajustez le lave-vaisselle au comptoir.



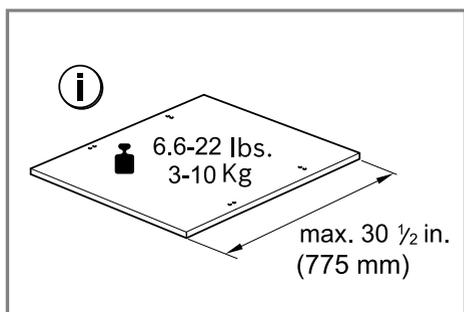
4. Assurez-vous que le haut de la porte n'est pas à moins de 1/4 po (6 mm) du dessous du comptoir.



## 4.6 Assemblage de la porte extérieure<sup>1</sup>

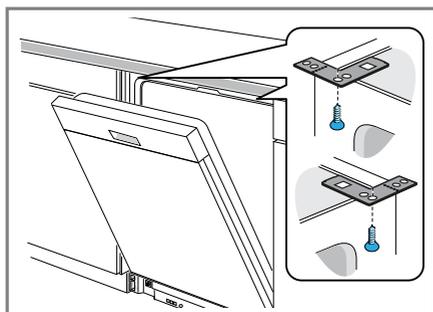
- Suivez les instructions pour l'assemblage de la porte extérieure sur le modèle entièrement intégré.

<sup>1</sup> selon l'équipement de l'appareil

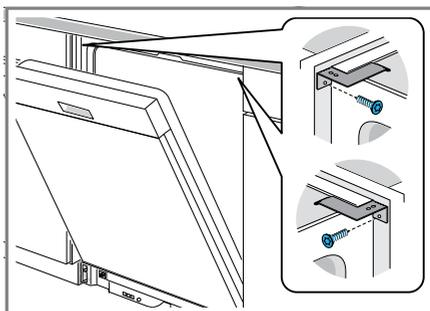


## 4.7 Fixer le montage par le haut et latéral

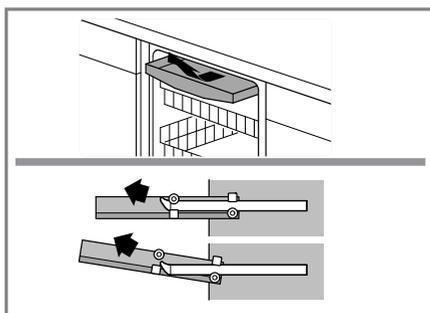
1. Pour un montage par le haut, enfoncez les vis de fixation dans le comptoir à travers les trous des équerres.



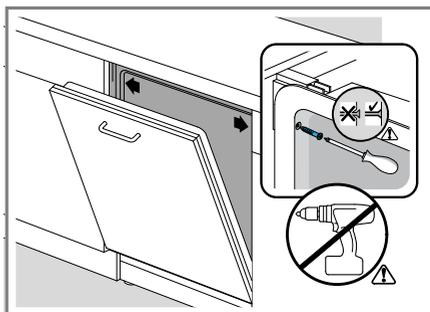
2. Pour un montage latéral, enfoncez les vis de montage dans les trous situés sur les côtés de l'armoire.



3. Si vous utilisez les supports latéraux du distributeur de force, retirez d'abord le tiroir à couverts.<sup>1</sup>



4. Enfoncez les vis de montage dans les trous situés à l'intérieur du lave-vaisselle.

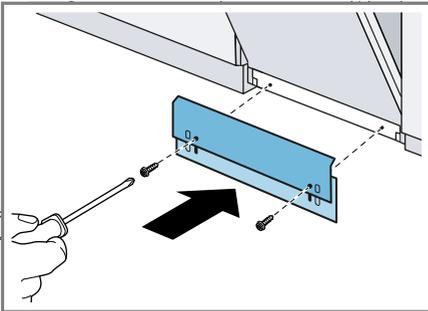


<sup>1</sup> selon l'équipement de l'appareil

- Remettez en place le tiroir à couverts.

#### 4.8 Fixez la plinthe en 2 pièces

- Placez la plinthe à fentes sur le lave-vaisselle.
  - Elle devrait reposer sur le sol.
- Placez l'autre morceau de la plinthe sur la plinthe arrière avec le bord angulaire sur le bord correspondant du lave-vaisselle.
- Pour fixer les plinthes, enfoncez les deux vis torx noires dans les trous de la plinthe et de la base du lave-vaisselle.
  - Pour éviter d'endommager le lave-vaisselle, utilisez les vis fournies.



## 5 Raccordement du lave-vaisselle

Suivez les instructions suivantes pour raccorder le lave-vaisselle.

### 5.1 Installation de l'arrivée d'eau

Le chauffe-eau doit être réglé pour fournir de l'eau à environ 120 °F (49 °C) [max. 140 °F/ (60 °C)] au lave-vaisselle. Une eau trop chaude peut nuire à l'efficacité de certains détergents. Plus l'eau est froide, moins le lave-vaisselle est efficace. La pression d'alimentation en eau chaude doit être comprise entre 7,25 et 145 psi (0,5 et 10 bars).

#### **!** AVERTISSEMENT

Risque d'échaudage

- N'effectuez pas de travaux sur une conduite d'eau chaude sous pression. Des blessures graves pourraient en résulter. Confiez les travaux de plomberie exclusivement à un plombier qualifié. Ne tentez pas de travailler sur la plomberie d'alimentation en eau chaude du lave-vaisselle avant d'être certain que l'alimentation en eau chaude est coupée.

#### **AVIS :**

Soudure des conduites de plomberie

- Les températures requises pour la soudure et le ressuage endommageront le lave-vaisselle. Si des conduites de plomberie doivent être soudées ou ressuées,

## fr-ca Raccordement du lave-vaisselle

maintenez la source de chaleur à une distance d'au moins 6 pouces (152,4 mm) du lave-vaisselle.

### Codes de plomberie

- ▶ Vérifiez les codes de plomberie locaux pour les procédures et accessoires de plomberie approuvés. Toute la plomberie doit être effectuée conformément aux codes nationaux et locaux.

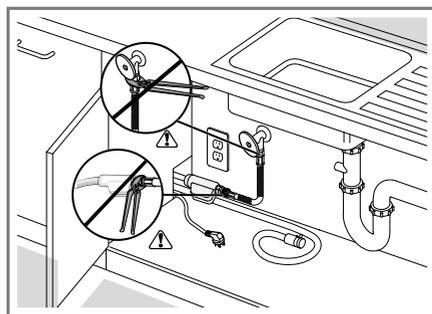
### Remarque

Remarques importantes pour le raccordement à l'eau :

- Si vous utilisez un joint à souder au lieu d'un raccord à compression, veillez à terminer tous les raccords à souder avant de raccorder la ligne d'alimentation en eau au lave-vaisselle.
  - Utilisez une ligne d'alimentation en eau approuvée pour le lave-vaisselle avec les raccords appropriés pour cette connexion.
  - Si vous utilisez des tuyaux en cuivre ou tout autre matériau non décrit dans ce manuel pour l'alimentation en eau, confiez l'installation à un plombier agréé.
  - Utilisez toujours des joints appropriés lorsque vous effectuez des raccordements de plomberie.
1. Rincez la conduite d'eau entrante pendant environ 1 minute pour éliminer tout corps étranger.

2. Raccordez la conduite d'alimentation en eau du lave-vaisselle à la vanne d'arrêt d'eau. Utilisez l'adaptateur éventuellement inclus avec votre modèle. Serrez manuellement, mais pas excessivement.

- Installez un robinet d'arrêt s'il n'y en a pas déjà un sur la ligne d'alimentation.
- Assurez-vous qu'il n'y a pas de coudes ou de plis aigus dans la conduite d'eau qui pourraient entraver l'écoulement de l'eau.



3. Une fois tous les raccordements effectués, ouvrez l'eau chaude et contrôlez la présence de fuites.

## 5.2 Installation du raccord d'évacuation

Le tuyau d'évacuation doit être installé avec une boucle élevée ou une fente d'aération.

### AVIS :

Installation du tuyau d'évacuation

- ▶ Le tuyau d'évacuation du lave-vaisselle doit être installé avec une partie de celui-ci à au moins 33 po

(84 cm) du sol, sinon le lave-vaisselle risque de ne pas s'écouler correctement.

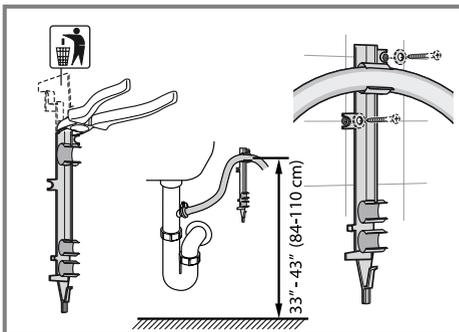
Retirer la fiche du broyeur à ordures

- ▶ Si le tuyau d'évacuation du lave-vaisselle doit être raccordé à un broyeur d'ordures, retirez d'abord le bouchon du raccord du broyeur.

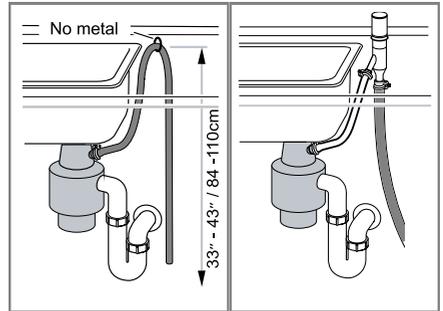
### Remarque

Remarques importantes pour les raccords d'évacuation :

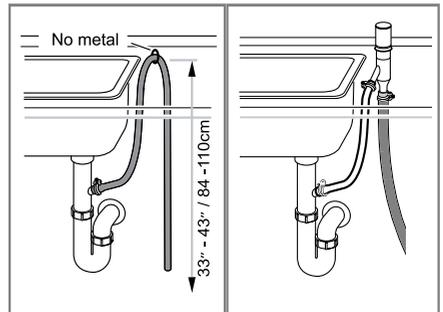
- Si la réglementation locale exige une fente d'aération, installez-la conformément aux instructions du fabricant.
- La longueur du tuyau d'évacuation peut être allongée si nécessaire. Utilisez la trousse #SGZ1010UC. La longueur maximale du tuyau d'évacuation, y compris le tuyau menant à la fente d'aération, est de 150 po (380 cm).
- Vous pouvez fixer le collier de serrage à l'intérieur de l'armoire adjacente pour suspendre le tuyau d'évacuation (les vis ne sont pas fournies) au lieu d'utiliser un lien non métallique comme indiqué sur les illustrations suivantes. La hauteur du tuyau d'évacuation ne doit pas dépasser 43 po.



1. Placez un collier de serrage à l'extrémité du tuyau d'évacuation AVANT de le raccorder à la plomberie.
2. Si vous avez un broyeur d'ordures, connectez le tuyau d'évacuation au broyeur d'ordures avec une boucle élevée ou une fente d'aération.

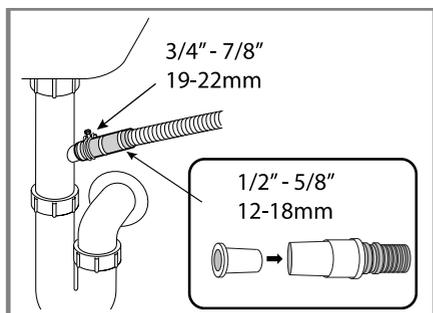


3. Si vous n'avez pas de broyeur d'ordures, connectez le tuyau d'évacuation au raccordement d'évacuation avec une boucle élevée ou une fente d'aération.



4. Insérez l'adaptateur de tuyau d'évacuation fourni avant de le raccorder à la tuyauterie.

5. Serrez le collier de serrage autour de la plomberie domestique.



### 5.3 Connexion électrique et cycle d'essai

1. Pour les raccordements à une prise murale, branchez le lave-vaisselle dans la prise.
2. Mettez l'alimentation électrique sous tension.
3. Assurez-vous que l'alimentation en eau est en marche.
4. Mettez le lave-vaisselle en marche et lancez un cycle d'essai pendant 15 minutes.
5. Vérifiez que le cycle fonctionne et qu'il n'y a pas de fuites pendant qu'il est en marche.
6. Arrêtez le cycle et éteignez le lave-vaisselle.
7. Votre installation est terminée.

---

## 6 Service à la clientèle

Lors de toute réparation réalisée dans le cadre de la garantie, nous nous assurons que votre appareil est réparé avec des pièces de rechange d'origine par un technicien dûment formé et

agréé. Nous utilisons exclusivement des pièces de rechange d'origine lors des réparations.

Pour plus d'informations sur la durée et les conditions de la garantie dans votre pays, consultez nos modalités de garantie auprès de votre détaillant ou sur notre site Web.

Si vous contactez le service à la clientèle, indiquez le numéro de modèle (E-Nr.) et le numéro de fabrication (FD) de l'appareil.

USA:

1-800-944-2904

[www.bosch-home.com/us/owner-support/get-support](http://www.bosch-home.com/us/owner-support/get-support)

[www.bosch-home.com/us/shop](http://www.bosch-home.com/us/shop)

CA:

1-800-944-2904

[www.bosch-home.ca/en/service/get-support](http://www.bosch-home.ca/en/service/get-support)

[www.bosch-home.ca/en/service/cleaners-and-accessories](http://www.bosch-home.ca/en/service/cleaners-and-accessories)

### 6.1 Numéro de modèle (E-Nr.) et numéro de fabrication (FD)

Le numéro de modèle (E-Nr.) et le numéro de fabrication (FD) sont indiqués sur la plaque signalétique de l'appareil.

Vous trouverez la plaque signalétique à l'intérieur de la porte de l'appareil.

Pour retrouver rapidement les données de votre appareil et le numéro de téléphone du service à la clientèle, n'hésitez pas à les recopier ailleurs.



A series of horizontal lines for writing, starting from the top right of the pencil icon and extending across the width of the page. The lines are evenly spaced and cover most of the page area.



## Register your appliance to enjoy customized benefits.

Thank you for being a Bosch customer!  
Simply create a MyBosch account, then register your appliance.  
You'll find a variety of customized information in MyBosch such as:

- **Discounts for filters, cleaners, accessories & parts**
- **Easy access to manuals & appliance specifications**
- **Easy access to part lists**
- **Customized offer for the Bosch Appliance Service Plan (sent by mail after appliance registration)**

Register here:  
[www.bosch-home.com/us/owner-support/mybosch](http://www.bosch-home.com/us/owner-support/mybosch)



## Looking for help? You'll find it here.

No matter what, no matter when: Bosch is here to support you.  
We're here to assist with usage instructions, cleaning tips,  
accessories & parts, troubleshooting, and repairs.  
Find online resources such as FAQs, how-to-videos, manuals,  
warranties and authorized Bosch servicers at:  
[www.bosch-home.com/us/owner-support/get-support](http://www.bosch-home.com/us/owner-support/get-support)

Contact us:  
**Please have your Model Number (E-Nr) ready when contacting us.**  
1-800-944-2904  
[www.bosch-home.com/us/owner-support/contact-us](http://www.bosch-home.com/us/owner-support/contact-us)

**BSH Home Appliances Corporation**  
1901 Main Street, Suite 600  
Irvine, CA 92614  
USA  
[www.bosch-home.com](http://www.bosch-home.com)  
1-800-944-2904  
© 2024 BSH Home Appliances Corporation



**9001955705** (040619) 650

en-us, fr-ca