



**BOSCH**



Register your  
new device on  
MyBosch now and  
get free benefits:  
[bosch-home.com/  
welcome](https://bosch-home.com/welcome)

# Dishwasher

**SMS46NI01B**

**[en]** Information for Use


**Further information and explanations are available online:**



## Table of contents

|  |           |   |           |
|--|-----------|---|-----------|
| <b>1 Safety</b> .....                      | <b>4</b>  | <b>7 Programmes</b> .....               | <b>19</b> |
| 1.1 General information .....              | 4         | 7.1 Information for test institutes ... | 21        |
| 1.2 Intended use .....                     | 4         | <b>8 Additional functions</b> .....     | <b>21</b> |
| 1.3 Restriction on user group .....        | 4         | <b>9 Features</b> .....                 | <b>21</b> |
| 1.4 Safe installation .....                | 4         | 9.1 Top basket .....                    | 22        |
| 1.5 Safe use .....                         | 6         | 9.2 Bottom basket .....                 | 22        |
| 1.6 Damaged appliance .....                | 8         | 9.3 Cutlery basket .....                | 23        |
| 1.7 Risk to children .....                 | 8         | 9.4 Cutlery drawer .....                | 23        |
| 1.8 Safety systems .....                   | 9         | 9.5 Etagere .....                       | 23        |
| <b>2 Preventing material damage</b> ....   | <b>10</b> | 9.6 Folding prongs .....                | 24        |
| 2.1 Safe installation .....                | 10        | 9.7 Small items holder .....            | 24        |
| 2.2 Safe use .....                         | 10        | 9.8 Knife shelf .....                   | 25        |
| <b>3 Childproof lock<sup>1</sup></b> ..... | <b>11</b> | 9.9 Basket heights .....                | 25        |
| 3.1 Door lock .....                        | 11        | <b>10 Before using for the</b>          |           |
| <b>4 Environmental protection and</b>      |           | <b>first time</b> .....                 | <b>25</b> |
| <b>saving energy</b> .....                 | <b>12</b> | 10.1 Performing the initial con-        |           |
| 4.1 Disposing of packaging .....           | 12        | figuration .....                        | 25        |
| 4.2 Saving energy .....                    | 12        | <b>11 Water softening system</b> .....  | <b>26</b> |
| 4.3 Aqua sensor <sup>1</sup> .....         | 12        | 11.1 Overview of water hardness         |           |
| <b>5 Installation and connection</b> ..... | <b>12</b> | settings .....                          | 26        |
| 5.1 Scope of supply .....                  | 12        | 11.2 Setting water softening sys-       |           |
| 5.2 Installing and connecting the          |           | tem .....                               | 26        |
| appliance .....                            | 13        | 11.3 Special salt .....                 | 27        |
| 5.3 Drainage connection .....              | 13        | 11.4 Switching off water soften-        |           |
| 5.4 Drinking water connection .....        | 13        | ing system .....                        | 27        |
| 5.5 Electrical connection .....            | 13        | <b>12 Rinse aid system</b> .....        | <b>28</b> |
| <b>6 Familiarising yourself with</b>       |           | 12.1 Rinse aid .....                    | 28        |
| <b>your appliance</b> .....                | <b>15</b> | 12.2 Setting the amount of rinse        |           |
| 6.1 Appliance .....                        | 15        | aid .....                               | 28        |
| 6.2 Controls .....                         | 17        | 12.3 Switching rinse aid system         |           |
|  |           | off .....                               | 29        |

<sup>1</sup> Depending on the appliance specifications

|  |           |   |           |
|--|-----------|---|-----------|
| <b>13 Detergent .....</b>  | <b>29</b> | <b>19 Transportation, storage and disposal .....</b>        | <b>55</b> |
| 13.1 Suitable detergents .....   | 29        | 19.1 Removing the appliance .....                           | 55        |
| 13.2 Unsuitable detergents .....   | 30        | 19.2 Protect appliance from frost..                         | 56        |
| 13.3 Information on detergents .....   | 30        | 19.3 Transporting the appliance ...                         | 56        |
| 13.4 Adding detergent.....   | 31        | 19.4 Disposing of old appliance ...                         | 56        |
| <b>14 Tableware .....</b>  | <b>32</b> | <b>20 Customer Service.....</b>                             | <b>57</b> |
| 14.1 Damage to glass and tableware.....  | 32        | 20.1 Product number (E-Nr.) and production number (FD)..... | 57        |
| 14.2 Arrange tableware.....  | 33        | 20.2 AQUA-STOP guarantee <sup>1</sup> .....                 | 57        |
| 14.3 Removing tableware.....   | 34        | <b>21 Technical specifications.....</b>                     | <b>58</b> |
| <b>15 Basic operation .....</b>  | <b>34</b> |   |           |
| 15.1 Opening appliance door .....  | 34        |   |           |
| 15.2 Switching on the appliance ...  | 35        |   |           |
| 15.3 Setting a programme .....   | 35        |   |           |
| 15.4 Setting additional functions ...  | 35        |   |           |
| 15.5 Setting timer programming ...   | 35        |   |           |
| 15.6 Starting the programme .....  | 35        |   |           |
| 15.7 Activating button lock.....   | 36        |   |           |
| 15.8 Deactivate button lock.....   | 36        |   |           |
| 15.9 Interrupting programme .....  | 36        |   |           |
| 15.10 Terminate programme.....   | 36        |   |           |
| 15.11 Switching off appliance .....  | 36        |   |           |
| <b>16 Basic settings.....</b>  | <b>37</b> |   |           |
| 16.1 Overview of basic settings ....   | 37        |   |           |
| 16.2 Changing basic settings.....  | 38        |   |           |
| <b>17 Cleaning and servicing .....</b>   | <b>38</b> |   |           |
| 17.1 Cleaning the tub.....   | 38        |   |           |
| 17.2 Self-cleaning interior <sup>1</sup> .....   | 39        |   |           |
| 17.3 Cleaning products.....  | 39        |   |           |
| 17.4 Tips on appliance care.....   | 39        |   |           |
| 17.5 Machine Care  <sup>1</sup> ..... | 39        |   |           |
| 17.6 Filter system .....   | 40        |   |           |
| 17.7 Cleaning spray arms .....   | 41        |   |           |
| <b>18 Troubleshooting.....</b>   | <b>42</b> |   |           |
| 18.1 Clean wastewater pump.....  | 55        |   |           |

---

<sup>1</sup> Depending on the appliance specifications



# 1 Safety

---

Observe the following safety instructions.

## 1.1 General information

- Read this instruction manual carefully.
- Keep the instruction manual and the product information safe for future reference or for the next owner.
- Do not connect the appliance if it has been damaged in transit.

## 1.2 Intended use

Only use this appliance:

- For cleaning household tableware.
- in private households and in enclosed spaces in a domestic environment.
- Up to an altitude of 4000 m above sea level.

## 1.3 Restriction on user group

This appliance may be used by children aged 8 or over and by people who have reduced physical, sensory or mental abilities or inadequate experience and/or knowledge, provided that they are supervised or have been instructed on how to use the appliance safely and have understood the resulting dangers.

Do not let children play with the appliance.

Cleaning and user maintenance must not be performed by children unless they are being supervised.

Keep children under the age of 8 years away from the appliance and power cable.

## 1.4 Safe installation

### **WARNING – Risk of injury!**

Improper installation may cause injury.

- ▶ When installing and connecting the appliance, follow the instructions in the manual and installation instructions.

**⚠ WARNING – Risk of electric shock!**

Incorrect installation is dangerous.

- ▶ Connect and operate the appliance only in accordance with the specifications on the rating plate.
- ▶ Always use the supplied power cable for the new appliance.
- ▶ Connect the appliance to a power supply with alternating current only via a properly installed socket with earthing.
- ▶ The protective conductor system of the domestic electrical installation must be properly installed.
- ▶ Never equip the appliance with an external switching device, e.g. a timer or remote control.
- ▶ When the appliance is installed, the mains plug of the power cord must be freely accessible. If free access is not possible, an isolating switch must be integrated into the permanent electrical installation according to the installation regulations.
- ▶ When installing the appliance, check that the power cable is not trapped or damaged.

Cutting through the supply hose or immersing the Aqua-Stop valve in water is dangerous.

- ▶ Never immerse the plastic housing in water. The plastic housing on the supply hose contains an electric valve.
- ▶ Never cut through the supply hose. The supply hose contains electric power cables.

**⚠ WARNING – Risk of fire!**

It is dangerous to use an extended power cord and non-approved adapters.

- ▶ Do not use extension cables or multiple socket strips.
- ▶ Only use adapters and power cords approved by the manufacturer.
- ▶ If the power cord is too short and a longer one is not available, please contact an electrician to have the domestic installation adapted.

Contact between the appliance and installation lines may lead to a defect in these lines, e.g. gas pipes and power lines. Gas from a corroded gas pipe can ignite. A damaged power line can cause a short circuit.

- ▶ Check that there is a distance of at least 5 cm between the appliance and installation lines.

### **⚠ WARNING – Risk of injury!**

Hinges move when opening and closing the appliance door and can cause injury.

- ▶ If built-under or integrable appliances are not in a cavity so that one side is accessible, the hinge area must be covered at the side. Covers are available from Customer Service or specialist outlets.

### **⚠ WARNING – Risk of tipping!**

Improper installation may cause the appliance to tip up.

- ▶ Only install built-under or integrable appliances under a continuous worktop that is securely connected to adjacent cabinets.

### **⚠ WARNING – Risk of burns!**

If the appliance is not installed properly, this may result in burns.

- ▶ With free-standing appliances, ensure that they are installed with the back panel against a wall.

## **1.5 Safe use**

### **⚠ WARNING – Risk of serious harm to health!**

Failure to comply with safety instructions and directions for use on packagings of detergent and rinse aid products may cause serious harm to health.

- ▶ Follow the safety instructions and directions for use on the packagings of detergent and rinse aid products.

### **⚠ WARNING – Risk of explosion!**

Adding solvents to the interior of the appliance may cause explosions.

- ▶ Never add solvents to the interior of the appliance.

Highly caustic alkaline or highly acidic cleaning agents in conjunction with aluminium parts in the interior of the appliance may cause explosions.

- ▶ Never use highly caustic alkaline or highly acidic cleaning agents, in particular commercial or industrial products, in conjunction with aluminium parts (e.g. grease filters of extractor hoods or aluminium pans), e.g. for the Machine Care programme.

### **⚠ WARNING – Risk of injury!**

Leaving the appliance door open may result in injury.

- ▶ Only open the appliance door to load or unload tableware in order to prevent accidents, e.g. through tripping.
- ▶ Do not sit or stand on the appliance door when open.

Knives and utensils with sharp points can cause injuries.

- ▶ Arrange knives and utensils with sharp points in the cutlery basket with the points downwards, on the knife shelf or in the cutlery drawer.

### **⚠ WARNING – Risk of scalding!**

If you open the appliance door while the programme is running, hot water may splash out of the appliance.

- ▶ Open the appliance door carefully if the programme is still running.

### **⚠ WARNING – Risk of tipping!**

Overfilling the Baskets may cause the appliance to tip up.

- ▶ Never overfill the Baskets with free-standing appliances.

### **⚠ WARNING – Risk of electric shock!**

An ingress of moisture can cause an electric shock.

- ▶ Only use the appliance in enclosed spaces.
- ▶ Never expose the appliance to intense heat or humidity.
- ▶ Do not use steam- or high-pressure cleaners to clean the appliance.

If the insulation of the power cord is damaged, this is dangerous.

- ▶ Never let the power cord come into contact with hot appliance parts or heat sources.

- ▶ Never let the power cord come into contact with sharp points or edges.
- ▶ Never kink, crush or modify the power cord.

## 1.6 Damaged appliance

### **WARNING – Risk of electric shock!**

If the appliance or the power cord is damaged, this is dangerous.

- ▶ Never operate a damaged appliance.
- ▶ Never operate an appliance with a cracked or fractured surface.
- ▶ Never pull on the power cord to unplug the appliance. Always unplug the appliance at the mains.
- ▶ If the appliance or the power cord is damaged, immediately unplug the power cord or switch off the fuse in the fuse box and turn off the water tap.
- ▶ Call customer services. → *Page 57*

Incorrect repairs are dangerous.

- ▶ Repairs to the appliance should only be carried out by trained specialist staff.
- ▶ Only use genuine spare parts when repairing the appliance.
- ▶ If the power cord or the appliance power cable of this appliance is damaged, it must be replaced with a special power cord or special appliance power cable, which is available from the manufacturer or its Customer Service.

## 1.7 Risk to children

### **WARNING – Risk of suffocation!**

Children may put packaging material over their heads or wrap themselves up in it and suffocate.

- ▶ Keep packaging material away from children.
- ▶ Do not let children play with packaging material.

Children may breathe in or swallow small parts, causing them to suffocate.

- ▶ Keep small parts away from children.
- ▶ Do not let children play with small parts.

Children may become trapped in the appliance and suffocate.

- ▶ Use the childproof lock if fitted.



- ▶ Never let children play with or operate the appliance.

### **⚠ WARNING – Risk of harm to health!**

Children can lock themselves in the appliance, thereby putting their lives at risk.

- ▶ With redundant appliances, unplug the power cord. Then cut through the cord and damage the lock on the appliance door beyond repair so that the appliance door will no longer close.

### **⚠ WARNING – Risk of crushing!**

With higher-level appliances, children can become crushed between the appliance door and cabinet doors underneath.

- ▶ Keep an eye on children when opening and closing the appliance door.

### **⚠ WARNING – Risk of chemical burns!**

Rinse aid and detergent may cause chemical burns to the mouth, throat and eyes.

- ▶ Keep children away from detergent and rinse aid products.
- ▶ Keep children away from the appliance when open. The water in the interior of the dishwasher is not drinking water. It may contain residues of detergents and rinse aid.

### **⚠ WARNING – Risk of injury!**

Children may get their fingers caught in the slots of the tablet collecting tray and injure themselves.

- ▶ Keep children away from the appliance when open.

## **1.8 Safety systems**

Protect children from possible hazards resulting from the appliance.

Depending on the features of the model, the appliance comes with a

→ "Childproof lock", Page 11.

---

## 2 Preventing material damage

### 2.1 Safe installation

#### **ATTENTION!**

Improper installation of the appliance may cause damage.

- ▶ If the dishwasher is installed above or below other domestic appliances, follow the information on installation in combination with a dishwasher in the installation instructions for the individual appliances.
- ▶ If there is no information or if the installation instructions do not include the relevant information, contact the manufacturer of these appliances to check that the dishwasher can be installed above or below these appliances.
- ▶ If no information is available from the manufacturer, the dishwasher should not be installed above or below such appliances.
- ▶ To ensure the safe operation of all domestic appliances, continue following the installation instructions for the dishwasher.
- ▶ Do not install the dishwasher under a hob.
- ▶ Do not install the dishwasher near heat sources, e.g. radiators, heat storage tanks, ovens or other appliances that generate heat.

Contact between the appliance and water pipes may lead to corrosion of these pipes, possibly causing them to leak.

- ▶ Check that there is a distance of at least 5 cm between the appliance and the water pipe. The pipes supplied for the drinking water and waste water connections are not affected here.

Modified or damaged water hoses may result in material damage and damage to the appliance.

- ▶ Never kink, crush, modify or cut through water hoses.
- ▶ Only use the water hoses supplied with the appliance or genuine spare hoses.
- ▶ Never re-use water hoses that have been used before.

If the water pressure is too high or too low, the appliance may not be able to operate properly.

- ▶ Make sure that the water pressure in the water supply system is min. 50 kPa (0.5 bar) and max. 1000 kPa (10 bar).
- ▶ If the water pressure exceeds the maximum value specified, a pressure-reducing valve must be installed between the drinking water connection and the hose set of the appliance.

### 2.2 Safe use

#### **ATTENTION!**

Escaping water vapour can damage fitted units.

- ▶ When the programme ends, leave the appliance to cool down for a while before opening the door.

Special salt for dishwashers can damage the tub due to corrosion.

- ▶ To make sure that any special salt that escapes is washed out of the tub, add the special salt to the dispenser for special salt immediately before the programme starts.

Detergent may damage the water softening system.

- ▶ Only fill the dispenser of the water softening system with special dishwasher salt.

Unsuitable cleaning agents may damage the appliance.

- ▶ Do not use a steam cleaner.

- ▶ So as not to scratch the finish on the appliance, do not use sponges with a rough surface or abrasive cleaning agents.
- ▶ To prevent corrosion, do not use sponge cloths on dishwashers with a stainless steel front or rinse such cloths thoroughly several times before using them for the first time.

## 3 Childproof lock<sup>1</sup>

The childproof lock lets you protect children from possible hazards resulting from the appliance.

Whether the appliance is equipped with a door lock is depending on the features of the specific variant.

### 3.1 Door lock

The door lock is a mechanical safety system and makes it more difficult to open the appliance door. You can activate or deactivate the door lock.

#### **⚠ WARNING** **Risk of suffocation!**

Children may become trapped in the appliance and thus suffocate.

- ▶ Activate the door lock and close the appliance door.

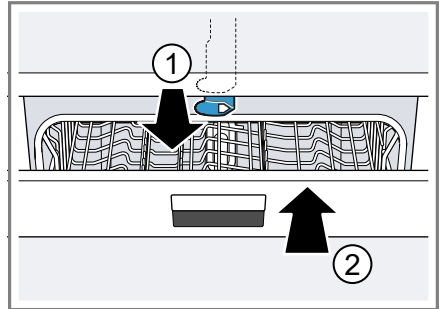
→ "Opening appliance door",  
Page 34

#### **Activating the door lock**

**Note:** The door lock remains activated until it is deactivated manually.

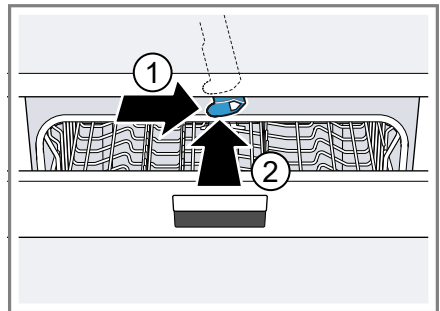
1. Open the appliance door.

2. Pull the catch of the childproof lock forwards ① and close the appliance door ②.



#### **Deactivating the door lock**

1. Open the appliance door.
2. Push the catch of the childproof lock to the right ① and slide it backwards ②.



3. Close the appliance door.

<sup>1</sup> Depending on the appliance specifications

---

## 4 Environmental protection and saving energy

### 4.1 Disposing of packaging

The packaging materials are environmentally compatible and can be recycled.

- ▶ Sort the individual components by type and dispose of them separately.

### 4.2 Saving energy

If you follow these instructions, your appliance will use less electricity and less water.

Use the Eco 50 ° programme.

- ✓ The Eco 50 ° programme is energy-efficient and environmentally friendly.  
→ "Programmes", Page 19

If you do not have much tableware to wash, use the additional Half Load function.<sup>1</sup>

- ✓ The programme will adjust to a lower load and consumption will be reduced.  
→ "Additional functions", Page 21

### 4.3 Aqua sensor<sup>1</sup>

The aqua sensor is an optical measuring device (light barrier) which measures the turbidity of the washing water. You can save water with the aqua sensor.

Use of the AquaSensor depends on the programme. If the soiling level is low, the washing water is used in the next wash cycle, allowing water consumption to be reduced by 3-6 litres.

If the soiling level is higher, the washing water is drained off and replaced with fresh water. In the automatic programmes the temperature and running time are additionally adjusted to the level of soiling.

---

## 5 Installation and connection

To ensure proper operation, connect the appliance to the power and water supply correctly. Observe the specified criteria and the installation instructions.

### 5.1 Scope of supply

After unpacking all parts, check for any damage in transit and completeness of the delivery.

If you have any complaints, contact the dealer who sold you the appliance or our Customer Service.

**Note:** The appliance has been tested at the factory to check it is in working order. It is possible that water has left marks on the appliance. These marks will disappear after the first wash cycle.

The delivery consists of the following:

- Dishwasher
- User manual
- Installation Instructions
- Warranty<sup>1</sup>
- Installation material
- Steam protection<sup>1</sup>
- Rubber apron<sup>1</sup>
- Mains cable
- Quick reference guide<sup>1</sup>

---

<sup>1</sup> Depending on the appliance specifications

## 5.2 Installing and connecting the appliance

You can position your built-under or integrable appliance in a fitted kitchen between wooden and plastic walls. If you subsequently install your dishwasher as a free-standing appliance, you must stop it from tipping over, e.g. by screwing it to the wall or installing it under a continuous worktop that is securely connected to adjacent cabinets.

1. Follow the safety instructions.  
→ *Page 4*
2. Follow the instructions for electrical connection. → *Page 13*
3. Check the Scope of supply  
→ *Page 12* and the condition of the appliance.
4. Consult the installation instructions for the installation dimensions required.
5. Make the appliance level using the height-adjustable feet.  
Make sure that the appliance is standing on the floor securely.
6. Install the drainage connection.  
→ *Page 13*
7. Install the drinking water connection. → *Page 13*
8. Connect the appliance to the power supply.

## 5.3 Drainage connection

Connect your appliance to drainage connection so dirty water is discharged via the wash cycle.

### Installing the drainage connection

1. Consult the installation instructions supplied for the steps required here.
2. Connect the wastewater hose to the outlet connection of the siphon using the enclosed parts.

3. When doing so, check that the wastewater hose is not kinked, crushed or twisted.
4. Also check that there is no cover in the drainage system preventing the wastewater from being discharged.

## 5.4 Drinking water connection

Connect your appliance to a drinking water connection.

### Installing the drinking water connection

#### Note

- If you are replacing the appliance, you must use a new water supply hose.
1. Consult the installation instructions supplied for the steps required here.
  2. Connect the appliance to the drinking water connection using the enclosed parts.  
Observe the Technical data  
→ *Page 58*.
  3. When doing so, check that the drinking water connection is not kinked, crushed or twisted.

## 5.5 Electrical connection

### Connecting the appliance to the electricity supply

#### Notes

- Please follow the Safety instructions → *Page 4*.
- Connect the appliance to alternating current only, in the range of 220 - 240 V and 50 Hz or 60 Hz.
- Please note that the water safety system is only functional if there is a power supply.

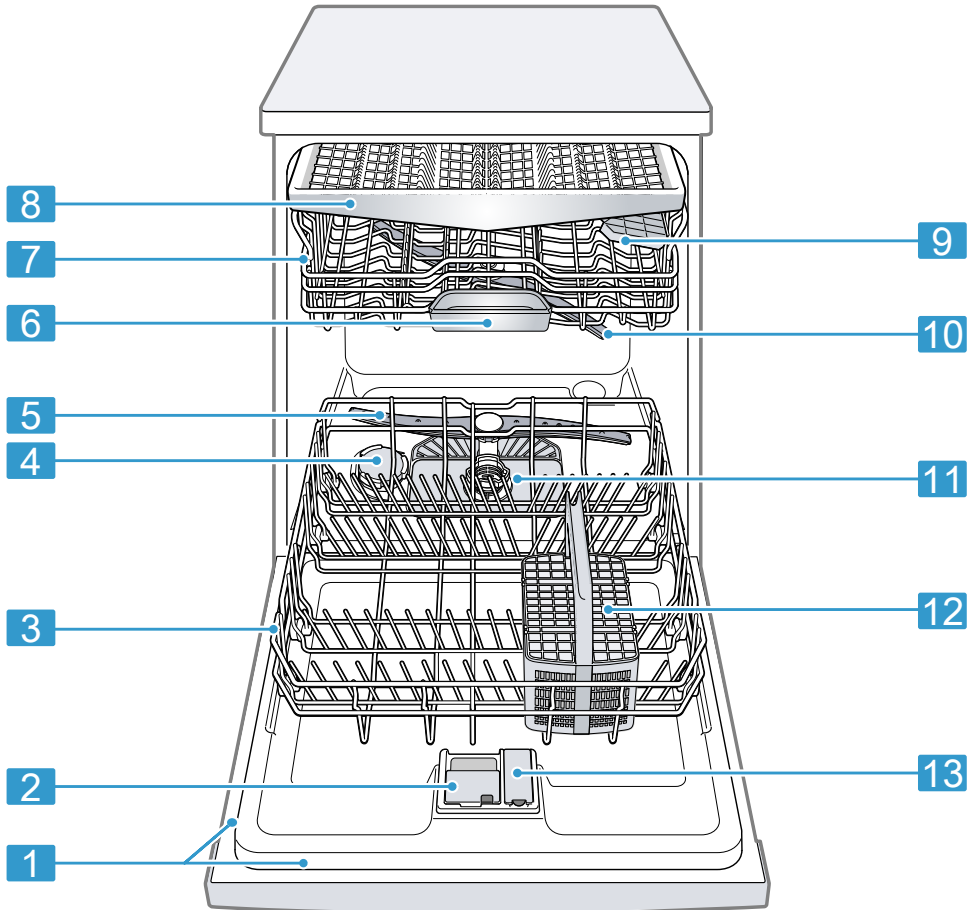
**en** Installation and connection

1. Insert the non-heating appliance plug of the power cable into the appliance.
2. Insert the mains plug of the appliance into a nearby socket.  
The connection data for the appliance can be found on the rating plate.
3. Check that the mains plug is inserted properly.

## 6 Familiarising yourself with your appliance

### 6.1 Appliance

You can find an overview of the parts of your appliance here.



**1** Rating plate

Rating plate with E number and FD number → *Page 57*.  
The data you need for Customer Service → *Page 57*.

<sup>1</sup> Depending on the appliance specifications

**en** Familiarising yourself with your appliance

|           |                             |  |
|-----------|-----------------------------|--|
| <b>2</b>  | Detergent dispenser         | Add detergent to the detergent dispenser.<br>→ <i>"Detergent"</i> , Page 29  |
| <b>3</b>  | Bottom basket               | Bottom basket → Page 22  |
| <b>4</b>  | Dispenser for special salt  | Add special salt to the dispenser for special salt.<br>→ <i>"Water softening system"</i> , Page 26   |
| <b>5</b>  | Lower spray arm             | The lower spray arm washes the tableware in the bottom basket.<br>If the tableware has not been washed properly, clean the spray arms.<br>→ <i>"Cleaning spray arms"</i> , Page 41 |
| <b>6</b>  | Tablet collecting tray      | During the wash cycle tablets automatically fall out of the detergent dispenser into the tablet collecting tray where they can fully dissolve.                                     |
| <b>7</b>  | Top basket                  | Top basket → Page 22   |
| <b>8</b>  | Cutlery drawer <sup>1</sup> | Cutlery drawer → Page 23   |
| <b>9</b>  | Cutlery shelf <sup>1</sup>  | Cutlery shelf → Page 23  |
| <b>10</b> | Upper spray arm             | The upper spray arm washes the tableware in the top basket.<br>If the tableware has not been washed properly, clean the spray arms.<br>→ <i>"Cleaning spray arms"</i> , Page 41    |
| <b>11</b> | Filter system               | Filter system → Page 40  |
| <b>12</b> | Cutlery basket <sup>1</sup> | Cutlery basket → Page 23   |
| <b>13</b> | Dispenser for rinse aid     | Add rinse aid to the dispenser for rinse aid.<br>→ <i>"Rinse aid system"</i> , Page 28   |

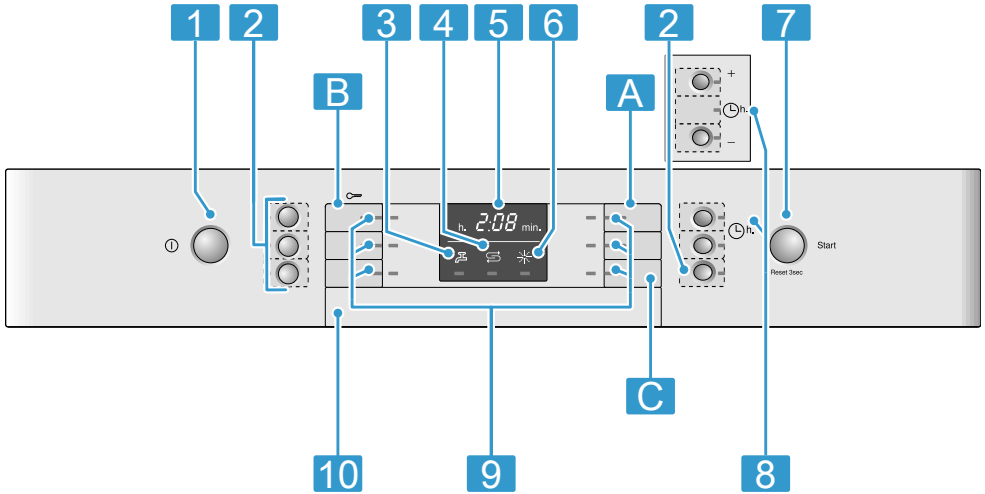
<sup>1</sup> Depending on the appliance specifications



## 6.2 Controls

You can use the control panel to configure all functions of your appliance and to obtain information about the operating status.

With some buttons you can perform different functions.



|          |  |   |
|----------|--|---|
| <b>1</b> | ON/OFF button $\text{\textcircled{I}}$           | Switching on the appliance<br>→ Page 35<br>Switching off the appliance<br>→ Page 36   |
| <b>2</b> | Programme buttons and additional functions       | Programmes → Page 19<br>Additional functions → Page 21  |
| <b>3</b> | Water supply display                             | Display for water supply → Page 43  |
| <b>4</b> | Special salt refill indicator                    | Water softening system → Page 26  |
| <b>5</b> | Display  | The display shows information about the remaining running time or the basic settings. You can change the basic settings via the display and the setting buttons.<br>→ "Changing basic settings",<br>Page 38 |
| <b>6</b> | Rinse aid refill indicator                       | Rinse aid system → Page 28  |
| <b>7</b> | Start button Start and reset button Reset 3 sec. | Starting the programme → Page 35<br>Terminating the programme<br>→ Page 36  |

<sup>1</sup> Depending on the appliance specifications

**en** Familiarising yourself with your appliance



|           |                          |   |
|-----------|--------------------------|---|
| <b>8</b>  | Timer programming        | Setting timer programming<br>→ <i>Page 35</i> |
| <b>9</b>  | Programme buttons        | Programmes → <i>Page 19</i>                   |
| <b>10</b> | Door handle <sup>1</sup> | Open the appliance door. → <i>Page 34</i>     |








<sup>1</sup> Depending on the appliance specifications

## 7 Programmes

You can find an overview of the programmes that can be selected here. Different programmes, which can be found on the control panel of your appliance, are available depending on the appliance configuration. The running time may vary depending on the programme selected. The running time depends on the water temperature, the quantity of tableware, the level of soiling and the Additional function selected. The

runtime will change if the rinse aid system is switched off or rinse aid needs to be added. The consumption values can be found in the quick reference guide. The consumption values relate to normal conditions and a water hardness of 16 - 20 °E. Different influencing factors such as water temperature or pipe pressure may result in deviations.

| Programme   | Use   | Programme sequence  | Additional functions                             |
|---|---|---|--|
|  <p>Intensive 70°<br/>(Intensive)</p>               | <p>Tableware:</p> <ul style="list-style-type: none"> <li>Washing pots and pans, non-fragile tableware and cutlery.</li> </ul> <p>Level of soiling:</p> <ul style="list-style-type: none"> <li>Removing stubborn burned or dried-on food remnants containing starch and protein.</li> </ul> <p>When using powder detergent, you can also apply a little to the inside of the appliance door.</p> | <p>Intensive:</p> <ul style="list-style-type: none"> <li>Pre-Rinse</li> <li>Clean 70 °C</li> <li>Intermediate rinse</li> <li>Final rinse 69 °C</li> <li>Drying</li> </ul> | <p>All<br/>→ "Additional functions", Page 21</p> |
| <p><b>auto</b></p>  <p>Auto 45-65°<br/>(Auto)</p> | <p>Tableware:</p> <ul style="list-style-type: none"> <li>Cleaning mixed tableware and cutlery.</li> </ul> <p>Level of soiling:</p> <ul style="list-style-type: none"> <li>Removing common household food remnants lightly dried-on.</li> </ul>  | <p>Sensor-optimised:</p> <ul style="list-style-type: none"> <li>Optimised by sensors depending on the soiling of the washing water.</li> </ul>                            | <p>All<br/>→ "Additional functions", Page 21</p> |

| Programme  | Use  | Programme sequence  | Additional functions                             |
|--|--|---|--|
| <br><br>Eco 50°<br>(Eco)           | Tableware: <ul style="list-style-type: none"> <li>■ Cleaning mixed tableware and cutlery.</li> </ul> Level of soiling: <ul style="list-style-type: none"> <li>■ Removing common household food remnants lightly dried-on.</li> </ul>   | Most economical programme: <ul style="list-style-type: none"> <li>■ Pre-Rinse</li> <li>■ Cleaning 50 °C</li> <li>■ Intermediate rinse</li> <li>■ Rinsing 66 °C</li> <li>■ Drying</li> </ul> | All<br>→ "Additional functions", Page 21         |
| <br><br>Glass 40°<br>(Glass)       | Tableware: <ul style="list-style-type: none"> <li>■ Cleaning delicate tableware, cutlery, temperature-sensitive plastics, glasses and stemware in the stemware basket.</li> </ul> Level of soiling: <ul style="list-style-type: none"> <li>■ Removing lightly adhering fresh food remnants.</li> </ul> | Particularly gentle: <ul style="list-style-type: none"> <li>■ Pre-Rinse</li> <li>■ Cleaning 40 °C</li> <li>■ Intermediate rinse</li> <li>■ Final rinse 60 °C</li> <li>■ Drying</li> </ul>   | Half Load<br>→ "Additional functions", Page 21   |
| <b>1h</b><br>1 hr Programme<br>(1h)  | Tableware: <ul style="list-style-type: none"> <li>■ Cleaning mixed tableware and cutlery.</li> </ul> Level of soiling: <ul style="list-style-type: none"> <li>■ Removing common household food remnants lightly dried-on.</li> </ul>   | Time-optimised: <ul style="list-style-type: none"> <li>■ Cleaning 65 °C</li> <li>■ Intermediate rinse</li> <li>■ Final rinse 70 °C</li> <li>■ Drying</li> </ul>                             | Extra Rinse<br>→ "Additional functions", Page 21 |
| <br><br>PreRinse<br>(Prerinse) | Tableware: <ul style="list-style-type: none"> <li>■ Cleaning all types of dishes.</li> </ul> Level of soiling: <ul style="list-style-type: none"> <li>■ Cold rinsing, intermediate cleaning.</li> </ul>  | Cold rinse: <ul style="list-style-type: none"> <li>■ Pre-Rinse</li> </ul>   | None   |
| <br>Machine Care<br>(Machine Care)   | -  | Machine Care<br>70 °C   | None   |

## 7.1 Information for test institutes


Test institutes are provided with information for comparability tests, e.g. according to EN60436.



These are the conditions for conducting the tests, however they are not the results or consumption values. E-mail enquiries to: [dishwasher@test-appliances.com](mailto:dishwasher@test-appliances.com)

The product number (E-Nr.) and the production number (FD) are required here. They can be found on the rating plate on the appliance door.

## 8 Additional functions

You can find an overview of the additional functions that can be selected here. Different additional functions, which can be found on the control panel of your appliance, are available depending on the appliance configuration.

| Additional function  | Use  |
|--|--|
| <br>Half Load<br>(Half Load) | <ul style="list-style-type: none"> <li>■ Switch on for small loads.</li> <li>■ It is recommended that less detergent is added to the detergent dispenser than for a full machine load.</li> <li>■ The running time is shortened.</li> <li>■ Energy and water consumption are reduced.</li> </ul> |

| Additional function  | Use  |
|--|--|
| <br>Hygiene <sup>+</sup><br>HygienePlus<br>(Hygiene Plus) | <ul style="list-style-type: none"> <li>■ To ensure a higher hygiene status for the appliance and tableware, the temperature is raised and maintained for an extra-long period.</li> <li>■ Especially suitable for cleaning chopping boards or baby bottles.</li> <li>■ Continuous use of this function increases the hygiene status.</li> <li>■ This will increase the running time and energy consumption.</li> </ul> |
| <br>Extra Rinse<br>(Extra Rinse)                          | <ul style="list-style-type: none"> <li>■ An additional rinse cycle is activated between the washing cycle and the final rinse of the washing programme selected.</li> <li>■ Water consumption is increased and the running time extended.</li> </ul>   |

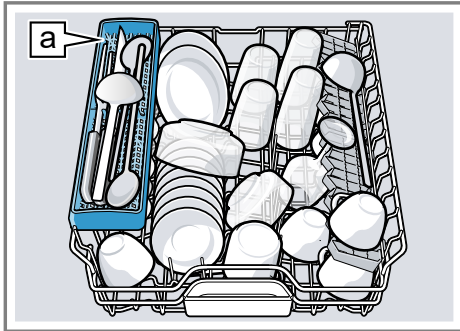
## 9 Features

You can find an overview of the possible features of your appliance and how to use them here.

These features depend on the model of your appliance.

## 9.1 Top basket

Arrange cups, glasses and small items of tableware in the top basket.



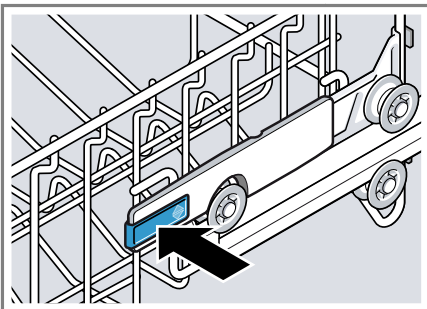
Knife shelf **[a]**<sup>1</sup>

You can adjust the height of the top basket to make room for larger items of tableware.

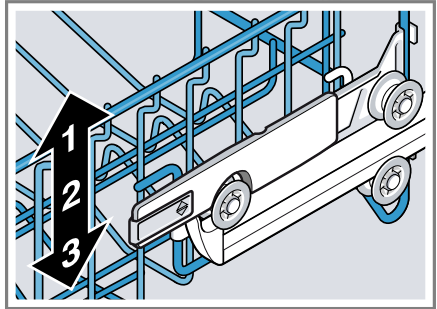
### Adjusting top basket with side levers

To wash large items of tableware in the baskets, adjust the shelf position of the top basket.

1. Pull out the top basket.
2. To prevent the basket from suddenly dropping down, hold the side of the basket by the top edge.
3. Press in the levers on the right and left on the outside of the basket.



4. Raise or lower the basket evenly to the right level.

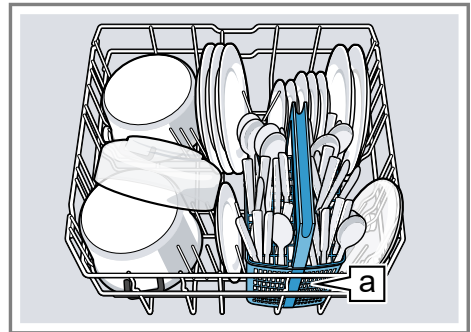


Check that the basket is level on both sides.

5. Release the levers.  
✓ The basket clicks into position.
6. Slide the basket back in.

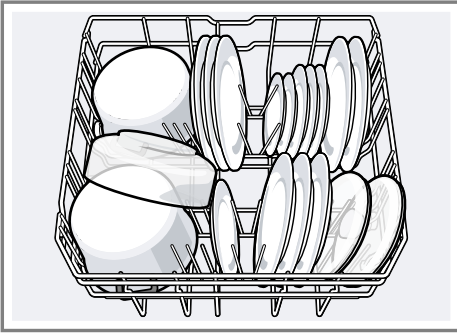
## 9.2 Bottom basket

Arrange pans and plates in the bottom basket.

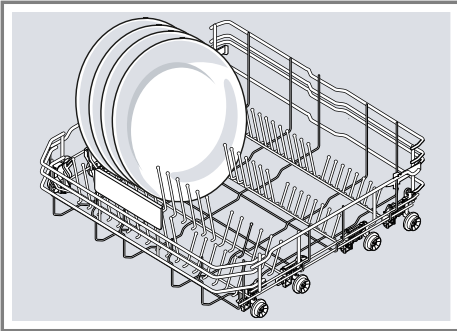


Cutlery basket **[a]**<sup>1</sup>

<sup>1</sup> Depending on the appliance specifications

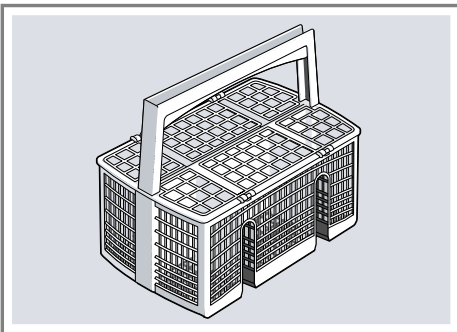


Large plates up to a diameter of 31/34 cm<sup>1</sup> can be arranged as shown.



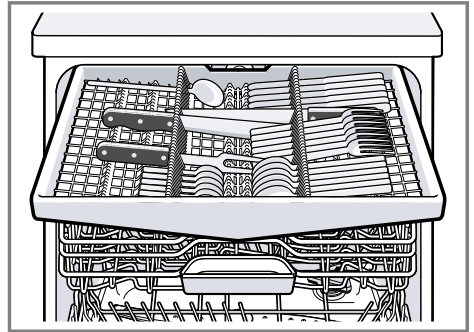
### 9.3 Cutlery basket

Arrange cutlery in the cutlery basket, always without sorting it and with the sharp points downwards.



### 9.4 Cutlery drawer

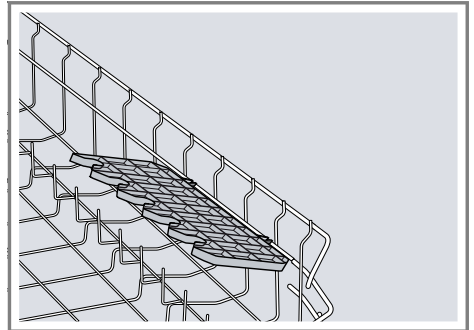
Arrange cutlery in the cutlery drawer.



Arrange cutlery with the points and sharp edges downwards. You can reorganise the cutlery drawer to make more space for longer/wider items of cutlery.<sup>1</sup>

### 9.5 Etagere

Use the cutlery shelf and space underneath for small cups and glasses or for large items of cutlery, e.g. cooking spoons or serving cutlery.



If you do not need the cutlery shelf, you can fold it up.

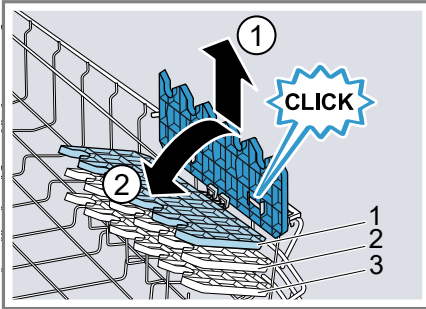
#### Adjusting etagere<sup>1</sup>

You can adjust the height of the etagere.

<sup>1</sup> Depending on the appliance specifications

## en Features

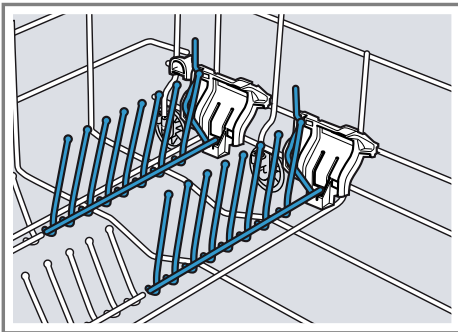
1. Position the etagere vertically and pull it upwards ①.



2. Position the etagere at a slight angle and move to the right height ②.
3. Push the etagere down.  
✓ The etagere clicks into position.

## 9.6 Folding prongs

Use the folding prongs to position tableware securely, e.g. plates.

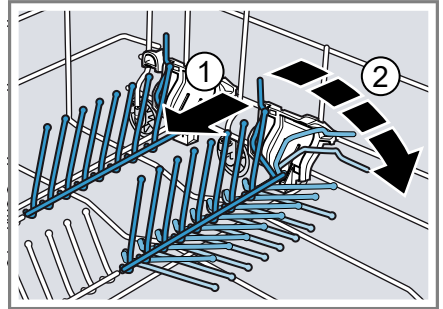


You can fold the prongs down to position pans, bowls and glasses better.<sup>1</sup>

### Folding down prongs<sup>1</sup>

If you do not need the prongs, fold them down.

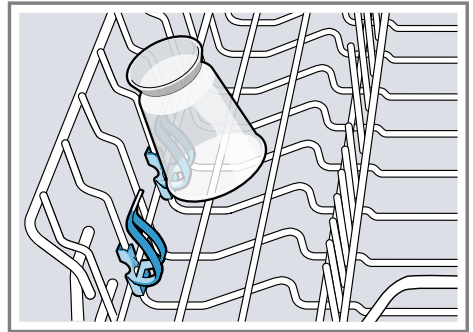
1. Push the lever forwards ① and fold down the prongs ②.



2. To use the prongs again, fold them back up.  
✓ The prongs audibly click into position.

## 9.7 Small items holder

Use the small items holder to position small items of tableware, e.g. light plastic parts.

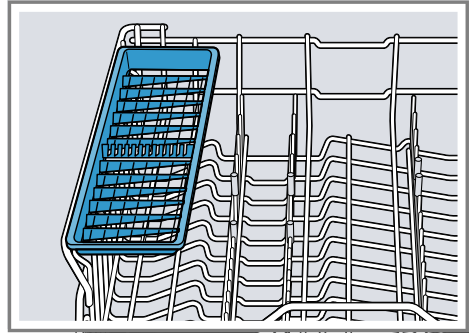


<sup>1</sup> Depending on the appliance specifications



## 9.8 Knife shelf

Use the shelf for knives and long items of cutlery.



## 9.9 Basket heights

Set the baskets at the right height.

### Appliance height 81.5 cm with cutlery basket

| Level    | Top basket | Bottom basket                |
|----------|------------|------------------------------|
| 1 max. ø | 22 cm      | 30 cm/31 cm → <i>Page 22</i> |
| 2 max. ø | 24.5 cm    | 27.5 cm                      |
| 3 max. ø | 27 cm      | 25 cm                        |

### Appliance height 81.5 cm with cutlery drawer

| Level    | Top basket | Bottom basket                |
|----------|------------|------------------------------|
| 1 max. ø | 16 cm      | 30 cm/31 cm → <i>Page 22</i> |
| 2 max. ø | 18.5 cm    | 27.5 cm                      |
| 3 max. ø | 21 cm      | 25 cm                        |

# 10 Before using for the first time

## 10.1 Performing the initial configuration

On initial start-up or after a reset to the factory settings, you will need to make settings.

**Requirement:** The appliance has been installed and connected.

→ *Page 12*

1. Add special salt.

2. Add rinse aid. → *Page 28*
3. Switch on the appliance.
4. Setting the water softening system. → *Page 26*
5. Set the amount of rinse aid to be dispensed. → *Page 28*
6. Add detergent.
7. Start the Programme with the highest cleaning temperature without tableware.

## en Water softening system

To remove any marks from water or other residues, we recommend you operate the appliance without tableware before using it for the first time.

**Tip:** You can change these settings and other Basic settings at any time.

# 11 Water softening system

Hard water leaves limescale on the tub and tableware and parts of the appliance may become blocked. To ensure good dishwashing results, you can treat the water with special salt and the water softening system. To avoid damage to the appliance, water with a hardness above 9 °E must be softened.

## 11.1 Overview of water hardness settings

You can find an overview of the water hardness values that can be selected here.

You can find out how hard your water is from your local water company or by using a water hardness tester.

| Water hardness<br>°E | Hardness range | mmol/l    | Setting value |
|----------------------|----------------|-----------|---------------|
| 0 - 8                | Soft           | 0 - 1.1   | H:00          |
| 9 - 10               | Soft           | 1.2 - 1.4 | H:01          |
| 11 - 12              | Medium         | 1.5 - 1.8 | H:02          |
| 13 - 15              | Medium         | 1.9 - 2.1 | H:03          |
| 16 - 20              | Medium         | 2.2 - 2.9 | H:04          |
| 21 - 26              | Hard           | 3.0 - 3.7 | H:05          |
| 27 - 38              | Hard           | 3.8 - 5.4 | H:06          |
| 39 - 62              | Hard           | 5.5 - 8.9 | H:07          |

**Note:** Set the water hardness determined on your appliance.

→ "Setting water softening system", Page 26

With a water hardness of 0 - 8 °E you can dispense with special salt and switch off the water softening system.

→ "Switching off water softening system", Page 27

## 11.2 Setting water softening system

Set the water hardness on your appliance.

1. Determine the water hardness and the appropriate setting value.  
→ "Overview of water hardness settings", Page 26
2. Press ①.
3. Hold programme button A and press Start repeatedly until the display shows H:xx.

4. Release programme button A and Start.
- ✓ Programme button A flashes and the display shows H:04.
5. Press programme button C repeatedly until the right water hardness has been set.
6. Press Start to save the setting.

### 11.3 Special salt

You can use special salt to soften water.

#### Adding special salt

If the special salt refill indicator lights up, add special salt to the dispenser for special salt just before the programme starts. The consumption of special salt depends on the water hardness. The higher the water hardness, the greater the consumption of special salt.

#### ATTENTION!

Detergent may damage the water softening system.

- ▶ Only fill the dispenser of the water softening system with special dishwasher salt.

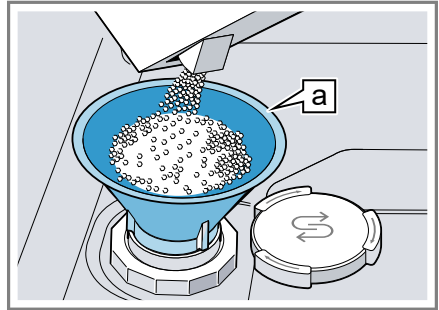
Special salt for dishwashers can damage the tub due to corrosion.

- ▶ To make sure that any special salt that escapes is washed out of the tub, add the special salt to the dispenser for special salt immediately before the programme starts.

1. Unscrew the lid of the dispenser for special salt and remove.
2. On initial start-up: Fill the dispenser right up with water.

3. **Note:** Only use special salt for dishwashers. Do not use salt tablets. Do not use table salt.

Add the special salt to the dispenser.



Funnel [a]<sup>1</sup>

Fill the dispenser right up with special salt. The water in the dispenser is displaced and forced out.

4. Place the lid back on the dispenser and turn to close.

### 11.4 Switching off water softening system

#### Note

To avoid damage to the appliance, only switch off the water softening system in the following cases:

- The water hardness is max. 26 °E and you are using combined detergents with salt replacement substances. According to manufacturers, combined detergents with salt replacement substances can generally only be used up to a water hardness of 26 °E without adding special salt.
- The water hardness is 0 - 8 °E. You do not need to use special salt.

<sup>1</sup> Depending on the appliance specifications

## en Rinse aid system

1. Press ①.
2. Hold programme button A and press Start repeatedly until the display shows H:xx.
3. Release programme button A and Start.
  - ✓ Programme button A flashes and the display shows H:04.
4. Press programme button C repeatedly until the display shows H:00.
5. Press Start to save the setting.
  - ✓ The water softening system is switched off and the salt refill indicator is deactivated.

---

## 12 Rinse aid system

You can use the rinse aid system and rinse aid to get tableware and glasses rinsed perfectly without marks.

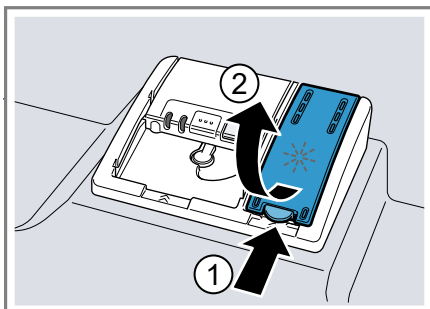
### 12.1 Rinse aid

For optimum drying results, use rinse aid. Only use rinse aid for domestic dishwashers.

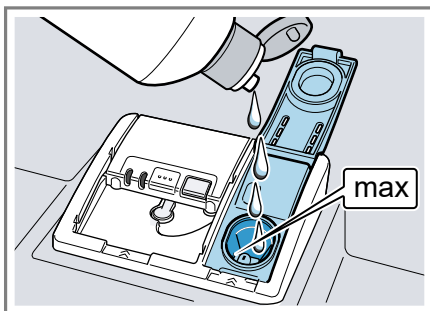
#### Adding rinse aid

If the rinse aid refill indicator lights up, top up with rinse aid. Only use rinse aid for domestic dishwashers.

1. Press the catch on the lid of the dispenser for rinse aid ① and lift ②



2. Add rinse aid up to the max mark.



3. If rinse aid spills out, remove it from the tub.

Spilled rinse aid can cause excessive frothing during the wash cycle.
4. Close the lid of the dispenser for rinse aid.
  - ✓ The lid clicks into position.

### 12.2 Setting the amount of rinse aid

If there are streaks or water marks on tableware, change the amount of rinse aid.

1. Press ①.
2. Hold programme button A and press Start repeatedly until the display shows H:xx.

3. Release programme button A and Start.
- ✓ Programme button A flashes and the display shows H:04.
4. Press programme button A repeatedly until the display shows the value set at the factory r:05.
5. Press programme button C repeatedly until the right amount of rinse aid has been set.
  - A low setting adds less rinse aid during the wash cycle and reduces streaking on tableware.
  - A higher setting adds more rinse aid during the wash cycle, reduces water marks and improves the drying result.
6. Press Start to save the setting.

## 12.3 Switching rinse aid system off

If you find the rinse aid refill indicator irritating, e.g. when using combined detergents with a rinse aid component, you can switch the rinse aid system off.

**Tip:** The function of rinse aid is limited with combined detergents. You will generally get better results using rinse aid.

1. Press ①.
2. Hold programme button A and press Start repeatedly until the display shows H:xx.
3. Release programme button A and Start.
- ✓ Programme button A flashes and the display shows H:04.
4. Press programme button A repeatedly until the display shows the value set at the factory r:05.
5. Press programme button C repeatedly until the display shows r:00.

6. Press Start to save the setting.
- ✓ The rinse aid system is switched off and the rinse aid refill indicator is deactivated.

---

## 13 Detergent

### 13.1 Suitable detergents

Only use detergents that are suitable for dishwashers. Both separate and combined detergents are suitable. For optimum washing and drying results, use separate detergent, adding Special salt and Rinse aid → *Page 28* separately.

Modern, powerful detergents mainly use a low-alkaline formulation with enzymes. Enzymes break down starch and remove protein. Oxygen-based bleaching agents are generally used to remove coloured marks, e.g. tea or ketchup.

**Note:** Follow the manufacturer's instructions for each detergent.

| Detergent        | Description  |
|------------------|--|
| Tabs             | <p>Tabs are suitable for all cleaning functions and do not need to be measured out.</p> <p>With shorter Programmes tabs sometimes do not dissolve entirely and leave residues of detergent. This may impair the cleaning effect.</p> |
| Powder detergent | <p>Powder detergent is recommended for shorter Programmes. The dosage can be adjusted to the level of soiling.</p>   |

| Detergent        | Description   |
|------------------|---|
| Liquid detergent | <p>Liquid detergent works faster and is recommended for shorter Programmes without PreRinse. Sometimes liquid detergent may leak out despite the detergent dispenser being closed. This is not a fault and is non-critical if you remember the following:</p> <ul style="list-style-type: none"> <li>■ Only choose a programme without PreRinse.</li> <li>■ Do not select timer programming for starting the programme.</li> </ul> <p>The dosage can be adjusted to the level of soiling.</p> |

**Tip:** Suitable detergents are available online via our website or from Customer Service → *Page 57*.

### Separate detergents

Separate detergents are products that do not contain components other than detergent, e.g. powder detergent or liquid detergent.

With powder and liquid detergent the dosage can be individually adjusted to the level of soiling of the tableware.

For better washing and drying results and to avoid damage to the appliance, please additionally use Special salt and Rinse aid → *Page 28*.

### Combined detergent

Besides conventional separate detergents, a number of products are available with additional functions. These products contain not only de-

tergent but also rinse aid and salt replacement substances (3in1) and, depending on the combination (4in1, 5in1, ...), additional components such as glass protection or stainless steel cleaner.

According to manufacturers, combined detergents generally only function up to a water hardness of 26 °E. With a water hardness above 26 °E you will need to add special salt and rinse aid. For the best washing and drying results we recommend using special salt and rinse aid from a water hardness of 17 °E. If you are using combined detergent, the washing programme is adjusted automatically to ensure the best possible washing and drying result.

### 13.2 Unsuitable detergents

Do not use detergent which could cause damage to the appliance or present a risk to health.

| Detergent                     | Description   |
|-------------------------------|---|
| Hand washing-up liquid        | Hand washing-up liquid can cause increased frothing and damage the appliance. |
| Detergent containing chlorine | Chlorine residue on tableware may present a risk to health.                   |

### 13.3 Information on detergents

Follow the instructions on detergents in everyday use.

- Detergents marked as "organic" or "ecological" (environmentally friendly) generally contain lower levels of active agents or com-

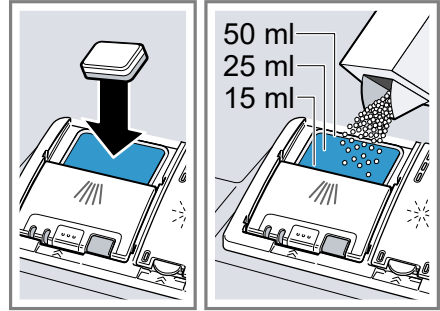
pletely dispense with certain substances. The cleaning effect may be restricted here.

- Set the rinse aid and the water softening system to the separate detergent or combined detergent in use.
- According to manufacturers, combined detergents with salt replacement substances can only be used up to a certain water hardness, usually 26 °E, without adding special salt. For the best washing and drying results we recommend using special salt from a water hardness of 17 °E.
- To prevent sticking, only touch detergents in a water-soluble pouch with dry hands and only ever place them in a dry detergent dispenser.
- Even if the rinse aid and special salt refill indicators light up, washing programmes will run properly with combined detergents.
- The function of rinse aid is limited with combined detergents. You will generally get better results using rinse aid.
- Use tablets with a special drying performance.

### 13.4 Adding detergent

1. To open the detergent dispenser, press the locking latch.

2. Add the detergent to the dry detergent dispenser.



If you are using tablets, one is enough. Insert the tablets in a horizontal position.

If you are using powder or liquid detergent, follow the manufacturer's instructions and quantities for dosage in the detergent dispenser.

20 ml – 25 ml detergent is sufficient for normal soiling. If tableware is only lightly soiled, slightly less than the amount of detergent specified is usually sufficient.

en Tableware

3. Close the lid of the detergent dispenser.



- ✓ The lid clicks into position.
- ✓ The detergent dispenser will open automatically at the optimum time during the programme. Powder or liquid detergent will spread around the washing tank and dissolve there. Tablets will fall into the tablet collecting tray and dissolve in the right dosage. In order to ensure that tablets can dissolve evenly, do not place any other objects in the tablet collecting tray.

**Tip:** If you use powder detergent and select a program with pre-rinse, you can also add a little detergent to the interior door of the appliance.

---

## 14 Tableware

Only clean tableware that is suitable for dishwashers.

**Note:** Decorated glassware and parts made of aluminium or silver may fade or discolour with dishwashing. Delicate types of glass may turn cloudy after a few washing cycles.

### 14.1 Damage to glass and tableware

Only put glasses and china in the dishwasher if it is marked as dishwasher-safe by the manufacturer. Avoid damage to glass and tableware.

| Cause   | Recommendation   |
|---|--|
| The following tableware is not dishwasher-safe: <ul style="list-style-type: none"><li>■ Items of cutlery and tableware made from wood</li><li>■ Decorated glassware, antique and hand-crafted tableware</li><li>■ Plastic parts not resistant to heat</li><li>■ Tableware made from copper or tin</li><li>■ Tableware soiled with ash, wax, lubricating grease or paint</li><li>■ Very small items of tableware</li></ul> | Only put tableware in the dishwasher if it is marked as dishwasher-safe by the manufacturer. |
| The chemical composition of the detergent causes damage.  | Use a detergent marked by the manufacturer as gentle on tableware.                           |



| Cause   | Recommendation  |
|---|---|
| Highly caustic alkaline or highly acidic cleaning solutions, in particular commercial or industrial cleaners, are not safe to use in the dishwasher with aluminium. | If you are using highly caustic alkaline or highly acidic cleaning agents, in particular commercial or industrial cleaning agents, do not put aluminium parts in the dishwasher interior. |
| The water temperature of the programme is too high.   | Select a programme with lower temperatures. After the programme has ended, take glassware and cutlery out of the appliance without delay.   |

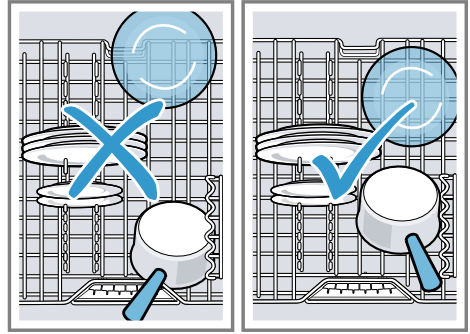
## 14.2 Arrange tableware

Arrange tableware correctly to optimise the dishwashing result and prevent damage to both the appliance and tableware.

### Note

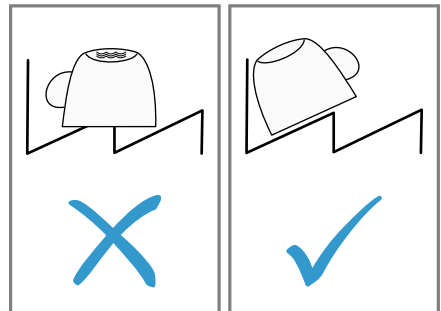
Load the baskets so that no projecting items of tableware interfere with closing of the door. Projecting items of tableware may push the appliance door open during the programme, so

allowing steam to escape and water to leak out around the door. This could damage your kitchen units.



### Tips

- Using the appliance allows you to save energy and water compared to washing-up by hand.
- See our website for examples of how to load your appliance efficiently.
- To save energy and water, load the machine with the number of place settings specified (standard load with tableware and cutlery).  
→ "Technical specifications",  
Page 58
- For better washing and drying results, position items with curves or recesses at an angle so water can run off.

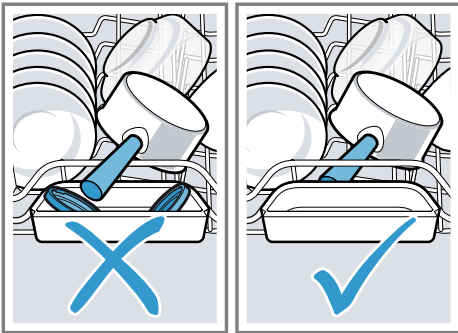


1. Remove large remnants of food from tableware.

## en Basic operation

To save resources, do not pre-rinse tableware under running water.

2. Observe the following when arranging tableware:
  - Put heavily soiled tableware in the bottom basket, e.g. pans. The more powerful the spray jet, the better the dishwashing result will be.
  - To prevent damage to tableware, arrange it so it is stable and cannot tip over.
  - To prevent injury, arrange cutlery with the points and sharp edges facing down.
  - Position containers with the openings facing down so no water can collect in them.
  - Do not block the spray arms - make sure that they can turn freely.
  - Do not place small parts in the tablet collecting tray and do not block it with tableware so as not to obstruct the lid of the detergent dispenser.



## 14.3 Removing tableware

### **⚠ WARNING** **Risk of injury!**

Hot tableware can cause burns to the skin. When hot, tableware is sensitive to shock, may crack and can result in injury.

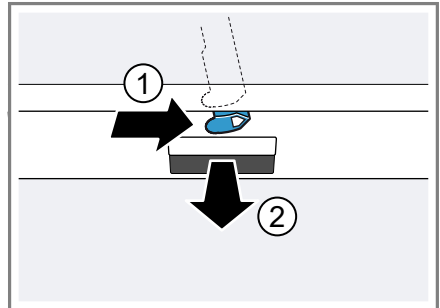
- ▶ When the programme has ended, do not empty the appliance until the tableware has cooled down for a while.
1. To prevent water dripping on the tableware, unload it starting at the bottom and working up.
  2. Check the washing tank and accessories for soiling and clean if necessary.  
→ "Cleaning and servicing",  
Page 38

---

## 15 Basic operation

### 15.1 Opening appliance door

1. If the childproof lock<sup>1</sup> is not activated, open the appliance door.
2. If the childproof lock<sup>1</sup> is activated, press the catch of the lock to the right ① and open the appliance door ②.



---

<sup>1</sup> Depending on the appliance specifications

## 15.2 Switching on the appliance

- ▶ Press ①.  
The Eco 50° programme is set by default.  
If you do not perform any actions on the appliance for 15 minutes, the appliance will automatically switch off.<sup>1</sup>

## 15.3 Setting a programme

To adjust the washing programme to the soiling level of the tableware, select a suitable programme.

- ▶ Press the right programme button.  
→ *"Programmes"*, Page 19
- ✓ The remaining running time of the programme appears on the display.

## 15.4 Setting additional functions

You can set additional functions to complete the washing programme selected.

**Note:** The additional functions which can be used depend on the programme selected.

→ *"Programmes"*, Page 19

- ▶ Press the button for the relevant additional function.  
→ *"Additional functions"*, Page 21
- ✓ The additional function is set and the additional function button flashes.

## 15.5 Setting timer programming

You can delay the start of the programme by up to 24 hours.

1. Press +.
- ✓ "h:01" appears in the display.
2. Use – or + to set the required start time for the programme.
3. Press Start.
- ✓ This activates timer programming.

**Tip:** To deactivate timer programming, press – or + repeatedly until "h:00" appears in the display.

## 15.6 Starting the programme

- ▶ Press Start.
- ✓ The programme has ended when the display shows "0:00".

### Notes

- If you want to add more tableware while the appliance is running, do not use the tablet collecting tray as a handle for the top basket. You might touch the partially dissolved tablet.
- You can only change a programme when running if you cancel it.  
→ *"Terminate programme"*, Page 36
- You can use the setting Auto Power Off to activate or deactivate automatic switch-off of the appliance at the end of the programme.<sup>1</sup>  
→ *"Overview of basic settings"*, Page 37


---

<sup>1</sup> Depending on the appliance specifications

## 15.7 Activating button lock

The button lock prevents the appliance from being operated accidentally or incorrectly while running.

**Requirement:** A programme has started. → Page 35

- ▶ Press  for approx. 3 seconds.
- ✓ The button lock is activated and will be automatically deactivated at the end of the programme.
- ✓ The display shows "CL" when the appliance is running.
- ✓ The button lock remains activated with a power failure.

## 15.8 Deactivate button lock

- ▶ Press  for approx. 3 seconds.

## 15.9 Interrupting programme

**Note:** When you open the appliance door once the appliance has heated up, leave the door slightly ajar for a few minutes and then close it. This will help prevent excess pressure building up in the appliance and stop the appliance door bursting open.

1. Press ①.
- ✓ The programme is saved and the appliance switches off.
2. Press ① to resume the programme.

## 15.10 Terminate programme

To end a programme early or to switch from a programme that has already started, you will need to cancel it first.

- ▶ Press Reset 3 sec. for approx. 3 seconds.
- ✓ The programme is cancelled and ends after approx. 1 minute.

## 15.11 Switching off appliance

1. Please note the information on Safe use → Page 10.
2. Press ①.
3. To prevent damage from dripping water, turn the water tap off tight (not applicable to appliances with Aqua-Stop).

**Tip:** If you press ① during the wash cycle, the programme currently running will be interrupted. When you switch the appliance back on, the programme continues automatically.

## 16 Basic settings

You can configure the basic settings for your appliance to meet your needs.

### 16.1 Overview of basic settings

The basic settings depend on the features of your appliance.

| Basic setting        | Display text      | Selection   | Description   |
|----------------------|-------------------|-------------|---|
| Water hardness       | H:04 <sup>1</sup> | H:00 - H:07 | Set the water softening system to your water hardness.<br>→ "Setting water softening system", Page 26<br>Level H:00 switches the water softening system off.  |
| Rinse aid dispensing | r:05 <sup>1</sup> | r:00 - r:06 | Set the amount of rinse aid to be dispensed.<br>→ "Setting the amount of rinse aid", Page 28<br>Switch the rinse aid system off with level r:00.  |
| Intensive drying     | d:00 <sup>1</sup> | d:00 - d:01 | The temperature is increased during the final rinse, which improves the drying result. This may increase the run time slightly.<br><b>Note:</b> Not suitable for delicate items of tableware.<br>Switch Extra Dry on "d:01" or off "d:00".  |
| Hot water            | A:00 <sup>1</sup> | A:00 - A:01 | Set cold water or hot water connection. Only set the appliance to hot water if this can be prepared with little energy and a suitable installation is available, e.g. solar heating system with circulation line. The water temperature should be at least 40 °C and max. 60 °C.<br>Switch hot water on "A:01" or off "A:00". |

<sup>1</sup> Factory setting (may vary according to model)

| Basic setting  | Display text      | Selection   | Description   |
|--|-------------------|-------------|---|
| Auto Power Off<br>(appliance switched off automatically at end of programme) | P:01 <sup>1</sup> | P:00 - P:02 | <p>Activate or deactivate automatic switch-off of the appliance at the end of the programme.</p> <p>The following settings are possible:</p> <ul style="list-style-type: none"> <li>■ If you are using the setting "P:00", the appliance will not automatically switch off.</li> <li>■ If you are using the setting "P:01", the appliance will switch off after 1 minute.</li> <li>■ If you are using the setting "P:02", the appliance will switch off after 2 hours.</li> </ul> |

<sup>1</sup> Factory setting (may vary according to model)

## 16.2 Changing basic settings

1. Press ①.
  2. Hold programme button A and press Start repeatedly until the display shows H:xx.
  3. Release programme button A and Start.
  - ✓ Programme button A flashes and the display shows H:04.
  4. Press programme button A repeatedly until the display shows the required setting.
  5. Press programme button C repeatedly until the display shows the right value.
- You can change several settings.
6. Press Start to save the setting.

## 17 Cleaning and servicing

To keep your appliance working efficiently for a long time, it is important to clean and maintain it carefully.

### 17.1 Cleaning the tub

#### WARNING

#### **Risk of harm to health!**

Using detergents containing chlorine may result in harm to health.

- ▶ Never use detergents containing chlorine.
1. Remove any coarse soiling in the interior with a damp cloth.
  2. Add detergent to the detergent dispenser.
  3. Select the programme with the highest temperature.  
→ "Programmes", Page 19
  4. Start the programme without tableware. → Page 35

## 17.2 Self-cleaning interior<sup>1</sup>

To remove deposits, the appliance self-cleans the interior at regular intervals.

The programme sequence is automatically adjusted for self-cleaning, e.g. the cleaning temperature is briefly increased. Consumption values, e.g. water and electricity, may also increase.

If the interior is no longer self-cleaned adequately and deposits occur, see this information:

→ "Cleaning the tub", Page 38.

## 17.3 Cleaning products

Only use suitable cleaning products to clean your appliance.

→ "Safe use", Page 10

## 17.4 Tips on appliance care

Follow the tips on appliance care to make sure your appliance functions properly at all times.

| Action   | Benefit   |
|--|---|
| Wipe the door seals, the front of the dishwasher and the control panel regularly using a damp cloth and washing-up liquid. | This ensures the parts of the appliance will remain clean and hygienic. |
| If the appliance is not going to be used for a while, leave the door slightly ajar.  | This will prevent unpleasant odours.                                    |

## 17.5 Machine Care <sup>1</sup>

Deposits can cause your dishwasher to malfunction, e.g. due to grease or limescale. To avoid such faults and reduce odours, we recommend cleaning your appliance at regular intervals.

Machine Care combined with commercially available machine care products is the right programme for the care of your appliance.

Run Machine Care without tableware if the indicator for Machine Care lights up on the control panel or if advised to do so by the display. Once you have run the Machine Care programme, the indicator goes out. If your appliance does not have a reminder function, follow the directions for use on the machine care products.

### Performing Machine Care


Run the Machine Care programme if the indicator for Machine Care lights up on the control panel or if advised to do so by the display.

### Notes

- Run the Machine Care programme without any tableware in the dishwasher.
- Only use suitable machine care products specially designed for dishwashers and not dishwasher detergent. Observe the manufacturer's instructions.
- Make sure that there are no aluminium parts in the interior of the appliance.
- If you have not run Machine Care after 3 washing cycles, the indicator for Machine Care will go out automatically.

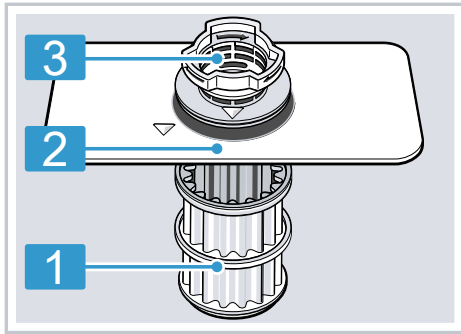
<sup>1</sup> Depending on the appliance specifications

## en Cleaning and servicing

- Follow the safety instructions and the directions for use on the packagings of the machine care products.
1. Remove any coarse soiling in the interior with a damp cloth.
  2. Clean filters.
  3. Add the machine care product to the appliance.
  4. Press .
  5. Press Start.
    - ✓ The Machine Care programme is run.
    - ✓ As soon as machine care has finished, the indicator for Machine Care goes out.

### 17.6 Filter system

The filter system removes coarse soiling from the dishwashing cycle.





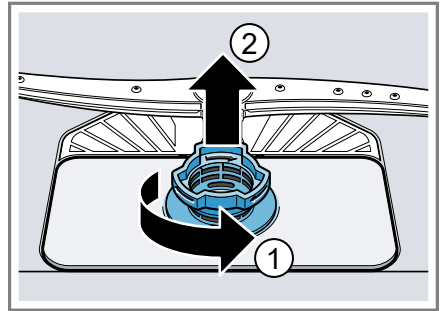
- |   |               |
|---|---------------|
| 1 | Micro filter  |
| 2 | Fine filter   |
| 3 | Coarse filter |

#### Cleaning filters

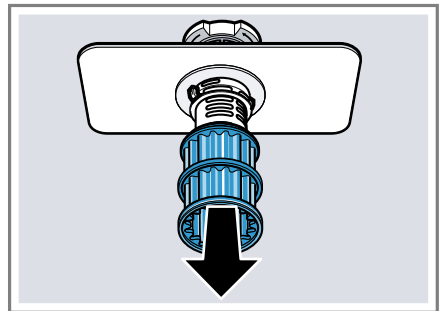
Soiling in the dishwashing water may block the filters.



1. After each wash check the filters for residue.

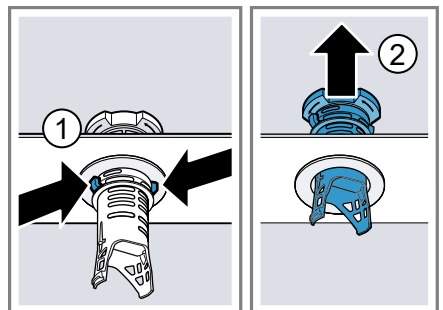
2. Turn the coarse filter anticlockwise  and remove the filter system .
- Check that no foreign objects fall into the sump.



3. Pull down the micro filter to remove.



4. Press the locking catches  together and lift the coarse filter out .

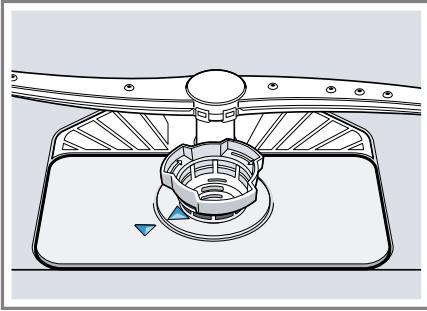


5. Clean the filter elements under running water.

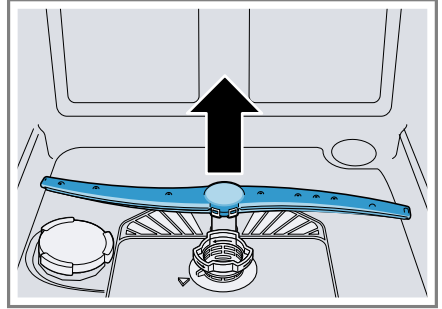


Carefully clean the rim of dirt between the coarse and the fine filter.

6. Re-assemble the filter system.  
Make sure that the locking catches on the coarse filter click into position.
7. Insert the filter system into the appliance and turn the coarse filter clockwise.
  - Make sure that the arrow markings match up.



2. Pull up the lower spray arm to remove.

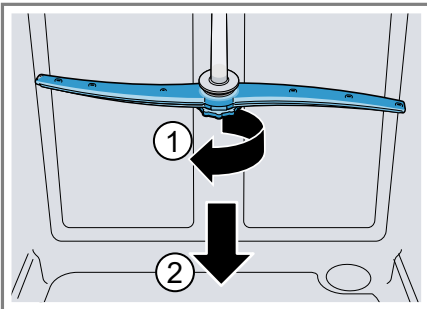


3. Check the outlet nozzles on the spray arms for blockages under running water and remove any foreign bodies.
4. Insert the lower spray arm.
- ✓ The spray arm clicks into position.
5. Insert the upper spray arm and screw it firmly in place.

## 17.7 Cleaning spray arms

Limescale and soiling in the dishwashing water may block the nozzles and bearings on the spray arms. Clean the spray arms regularly.

1. Unscrew the upper spray arm ① and pull down to remove ②.



## 18 Troubleshooting

You can rectify minor faults on your appliance yourself. Read the troubleshooting information before contacting after-sales service. This will avoid unnecessary costs.

### **WARNING**

#### **Risk of electric shock!**

Improper repairs are dangerous.

- ▶ Repairs to the appliance should only be carried out by trained specialist staff.
- ▶ Only use genuine spare parts when repairing the appliance.
- ▶ If the power cord or the appliance power cable of this appliance is damaged, it must be replaced with a special power cord or special appliance power cable, which is available from the manufacturer or its Customer Service.

| <b>Fault</b>   | <b>Cause and troubleshooting</b>   |
|--|--|
| Appliance door will not open or cannot be opened easily. | Childproof lock is activated.<br>▶ Open the appliance door. → <i>Page 34</i>   |
| E:12 lights up.  | Appliance has detected calcified heating element.<br><b>1.</b> Descale the appliance.<br><b>2.</b> Operate the appliance with the water softening system. <sup>1</sup> |
| E:14 lights up.  | Water protection system is activated.<br><b>1.</b> Turn off the water tap.<br><b>2.</b> Call Customer Service → <i>Page 57.</i>  |
| E:15 lights up.  | Water protection system is activated.<br><b>1.</b> Turn off the water tap.<br><b>2.</b> Call Customer Service → <i>Page 57.</i>  |
| E:16 lights up.  | Water is continuously running into the appliance.<br><b>1.</b> Turn off the water tap.<br><b>2.</b> Call Customer Service → <i>Page 57.</i>                            |
| E:18 or indicator for water supply lights up.            | Supply hose is kinked.<br>▶ Install the supply hose without kinks.   |
|  | Water tap is turned off.<br>▶ Turn on the water tap.   |
|  | Water tap is jammed or furred up.<br>▶ Turn on the water tap.  |

<sup>1</sup> Depending on the appliance specifications

---

|              |                                  |
|--------------|----------------------------------|
| <b>Fault</b> | <b>Cause and troubleshooting</b> |
|--------------|----------------------------------|

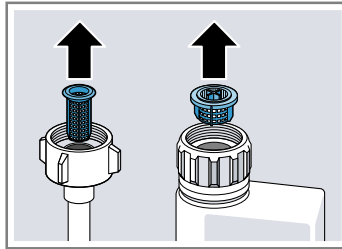
---

E:18 or indicator for water supply lights up.

The flow rate must be at least 10 l/min when the water supply is open.

The filters in the water connection of the supply or AquaStop hose are blocked.

1. Switch off the appliance.
2. Pull out the mains plug.
3. Turn off the water tap.
4. Unscrew the water connection.
5. Remove the filter from the supply hose



6. Clean the filter.
7. Re-insert the filter in the supply hose.
8. Screw the water connection back on.
9. Check the water connection for leaks.
10. Restore the power supply.
11. Switch the appliance on.

E:22 lights up.<sup>1</sup>

Filters are soiled or blocked.

- ▶ Clean the filters.  
→ "Cleaning filters", Page 40

E:24 lights up. Water is not drained.

Not an appliance fault. Siphon connection is still closed or the wastewater hose is kinked or blocked.

1. Check the connection to the siphon and open if necessary.
2. Install wastewater hose without kinks.
3. Remove residues.




---

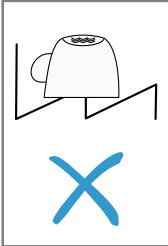
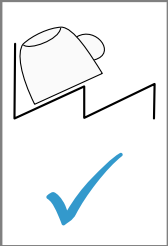
<sup>1</sup> Depending on the appliance specifications


---


| Fault                                 | Cause and troubleshooting  |
|---------------------------------------|--|
| E:24 lights up. Water is not drained. | <p>Not an appliance fault. Wastewater pump is blocked or the cover of the wastewater pump is loose.</p> <ol style="list-style-type: none"><li data-bbox="374 220 869 271">1. Clean the wastewater pump.<br/>→ <i>"Clean wastewater pump", Page 55</i></li><li data-bbox="374 277 978 360">2. Secure the cover of the wastewater pump so it clicks into position.<br/>→ <i>"Clean wastewater pump", Page 55</i></li></ol> |
| E:25 lights up.                       | <p>Not an appliance fault. Wastewater pump is blocked or the cover of the wastewater pump is loose.</p> <ol style="list-style-type: none"><li data-bbox="374 624 869 675">1. Clean the wastewater pump.<br/>→ <i>"Clean wastewater pump", Page 55</i></li><li data-bbox="374 681 978 762">2. Secure the cover of the wastewater pump so it clicks into position.<br/>→ <i>"Clean wastewater pump", Page 55</i></li></ol> |
| E:27 lights up.                       | <p>Mains voltage is too low.<br/>This is not a fault on the appliance.</p> <ol style="list-style-type: none"><li data-bbox="374 1027 678 1051">1. Contact an electrician.</li><li data-bbox="374 1058 1005 1110">2. Have the mains voltage and electrical installation checked by an electrician.</li></ol>  |

---



| <b>Fault</b>   | <b>Cause and troubleshooting</b>  |
|--|---|
| <p>Another error code appears on the display.<br/>E:01 to E:30</p> | <p>A technical fault is present.</p> <ol style="list-style-type: none"> <li>1. Press ①.</li> <li>2. Unplug the appliance or switch off the fuse.</li> <li>3. Wait at least 2 minutes.</li> <li>4. Insert the mains plug of the appliance in a socket or switch on the fuse.</li> <li>5. Switch the appliance on.</li> <li>6. If the problem occurs again:               <ul style="list-style-type: none"> <li>– Press ①.</li> <li>– Turn off the water tap.</li> <li>– Pull out the mains plug.</li> <li>– Contact Customer Service → <i>Page 57</i> and give the error code.</li> </ul> </li> </ol> |
| <p>Tableware is not dry.</p>                                       | <p>No rinse aid used or dosage set too low.</p> <ol style="list-style-type: none"> <li>1. Add Rinse aid → <i>Page 28</i>.</li> <li>2. Set the amount of rinse aid to be dispensed.</li> </ol> <hr/> <p>Programme or programme option has no drying phase, or the drying phase is too brief.</p> <ul style="list-style-type: none"> <li>▶ Select a programme with drying, e.g. intensive, strong or ECO programme.</li> </ul> <p>Some option buttons decrease the drying result, e.g. varioSpeed.</p>  |
|  | <p>Water collects in recesses of the tableware or cutlery.</p> <ul style="list-style-type: none"> <li>▶ Position tableware at an angle where possible.</li> </ul> <div style="display: flex; justify-content: space-around; align-items: center;"> <div style="border: 1px solid black; padding: 5px; text-align: center;">  </div> <div style="border: 1px solid black; padding: 5px; text-align: center;">  </div> </div>       |
|  | <p>The combined detergent used has a poor drying performance.</p> <ol style="list-style-type: none"> <li>1. Use rinse aid to improve drying performance.</li> <li>2. Use a different combined detergent with a better drying performance.</li> </ol>  |
|  | <p>Extra Dry not activated to improve drying performance.</p> <ul style="list-style-type: none"> <li>▶ Activate Extra Dry.</li> </ul>   |

| Fault  | Cause and troubleshooting   |
|--|---|
| Tableware is not dry.                          | <p>Tableware removed too early or drying process not yet ended.</p> <ol style="list-style-type: none"> <li>1. Wait until the programme ends.</li> <li>2. Only remove tableware 30 minutes after the programme has ended.</li> </ol>   |
|  | <p>Rinse aid used has a limited drying performance.</p> <ul style="list-style-type: none"> <li>▶ Use a name-brand rinse aid.</li> </ul> <p>Eco products may have limited effectiveness.</p>   |
| Plastic tableware is not dry.                  | <p>Not a fault. As plastic does not store heat so well, it also does not dry as well.</p> <ul style="list-style-type: none"> <li>▶ No remedial action possible.</li> </ul>  |
| Cutlery is not dry.                            | <p>Cutlery not arranged properly in the cutlery basket or cutlery drawer.</p> <p>Droplets can form on the cutlery contact points.</p> <ol style="list-style-type: none"> <li>1. Arrange cutlery individually where possible.<br/>→ <i>Page 33</i></li> <li>2. Avoid points of contact.</li> </ol>   |
| Appliance interior still wet after wash cycle. | <p>Not a fault. The condensation drying principle causes water droplets in the tub – they are indeed desirable here. The moisture in the air condenses on the inside walls, runs off and is pumped out.</p> <p>No action required.</p>  |
| Remnants of food on tableware.                 | <p>Tableware is placed too close together or basket is overfilled.</p> <ol style="list-style-type: none"> <li>1. Arrange tableware with sufficient space in between.<br/>The spray jets must reach the surfaces of the tableware.</li> <li>2. Avoid points of contact.</li> </ol> <p>Spray arm rotation is blocked.</p> <ul style="list-style-type: none"> <li>▶ Arrange tableware so that it does not obstruct spray arm rotation.</li> </ul> <p>Spray arm nozzles are blocked.</p> <ul style="list-style-type: none"> <li>▶ Clean the Spray arms → <i>Page 41</i>.</li> </ul> |
|  |    |
|  | <p>Filters are soiled.</p>  |

| <b>Fault</b>                       | <b>Cause and troubleshooting</b>   |
|------------------------------------|--|
| Remnants of food on tableware.     | <ul style="list-style-type: none"> <li>▶ Clean the filters.<br/>→ <i>"Cleaning filters", Page 40</i></li> </ul>  |
|                                    |   |
|                                    | <p>Filters are inserted incorrectly and/or not engaged.</p> <ol style="list-style-type: none"> <li>1. Insert the filters properly.<br/>→ <i>"Filter system", Page 40</i></li> <li>2. Engage the filters.</li> </ol>  |
|                                    | <p>Washing programme selected too weak.</p> <ul style="list-style-type: none"> <li>▶ Select a more intensive washing programme.</li> </ul>   |
|                                    | <p>Tableware has been precleaned too intensely. The sensors chose a weaker programme. Stubborn soiling cannot be entirely removed.</p> <ul style="list-style-type: none"> <li>▶ Only remove large remnants of food and do not prerinse tableware.</li> </ul>   |
|                                    | <p>Tall narrow receptacles in corner areas are not rinsed adequately.</p> <ul style="list-style-type: none"> <li>▶ Do not position tall narrow receptacles at too great an angle or in corner areas.</li> </ul>  |
|                                    | <p>Top baskets on right and left are not set to same height.</p> <ul style="list-style-type: none"> <li>▶ Set the upper basket on the left and right to the same height.<br/>→ <i>"Top basket", Page 22</i></li> </ul>   |
| Detergent residue in the appliance | <p>Lid of the detergent dispenser is blocked by items of tableware parts and will not open.</p> <ol style="list-style-type: none"> <li>1. Arrange tableware in the top basket tableware so the tab collecting tray is not obstructed by tableware.<br/>→ <i>"Arrange tableware", Page 33</i><br/>Items of tableware are blocking the dispenser lid.</li> <li>2. Do not place tableware or fragrance dispensers in the tablet collecting tray.</li> </ol> |
|                                    | <p>The lid of the detergent dispenser is blocked by the tab and will not open.</p> <ul style="list-style-type: none"> <li>▶ Position the tab in the detergent dispenser cross-wise, not vertically.</li> </ul>   |

| Fault   | Cause and troubleshooting  |
|---|--|
| Detergent residue in the appliance  | <p>Tabs are used in the quick or short programme. Dissolving time of the tab is not attained.</p> <ul style="list-style-type: none"> <li>▶ Select a more intensive Programme or use Powder detergent.</li> </ul> <hr/> <p>Washing effect and dissolving performance are reduced after a prolonged storage time or detergent is very lumpy.</p> <ul style="list-style-type: none"> <li>▶ Change your detergent → <i>Page 29</i>.</li> </ul>   |
| Water marks on plastic parts.   | <p>Due to laws of physics droplet formation on plastic surfaces is unavoidable. After drying water marks are visible.</p> <ul style="list-style-type: none"> <li>▶ Select a more intensive programme.</li> <li>▶ Position tableware at an angle.<br/>→ <i>"Arrange tableware", Page 33</i></li> <li>▶ Use rinse aid.<br/>→ <i>"Rinse aid", Page 28</i></li> <li>▶ Set the water softening system higher.</li> </ul>  |
| Wipeable or water-soluble coatings are present inside the appliance or on the door. | <p>Detergent substances are deposited there. These coatings cannot generally be removed with chemicals.</p> <ul style="list-style-type: none"> <li>▶ Change your detergent.</li> <li>▶ Clean the appliance mechanically.</li> </ul> <hr/> <p>White coating is deposited in the appliance interior.</p> <ol style="list-style-type: none"> <li>1. Set the water softening system correctly.<br/>In most cases you will need to increase the setting.</li> <li>2. Change your detergent if required.</li> </ol> <hr/> <p>Special salt dispenser is not screwed tight.</p> <ul style="list-style-type: none"> <li>▶ Screw the special salt dispenser tight.</li> </ul>  |
| Stubborn white coatings are present on tableware, inside the appliance or the door. | <p>Detergent substances are deposited there. These coatings cannot generally be removed with chemicals.</p> <ul style="list-style-type: none"> <li>▶ Change your detergent.</li> <li>▶ Clean the appliance mechanically.</li> </ul> <hr/> <p>Hardness range is set incorrectly or the water hardness is too high.</p> <ul style="list-style-type: none"> <li>▶ Set the Water softening system → <i>Page 26</i> to the water hardness or add special salt.</li> </ul> <hr/> <p>3in1/organic/eco detergent is not effective enough.</p> <ul style="list-style-type: none"> <li>▶ Set the Water softening system → <i>Page 26</i> to the water hardness and use separate detergents (proprietary detergent, special salt, rinse aid).</li> </ul> <hr/> <p>Too little detergent is being used.</p> |



| <b>Fault</b>   | <b>Cause and troubleshooting</b>   |
|--|--|
| Stubborn white coatings are present on tableware, inside the appliance or the door.  | <ul style="list-style-type: none"> <li>▶ Increase the amount of detergent used or change Detergent .</li> </ul> <hr/> <p>Washing programme selected too weak.</p> <ul style="list-style-type: none"> <li>▶ Select a more intensive washing programme.</li> </ul>   |
| Tea residue or lipstick marks on tableware.  | <p>Washing temperature is too low.</p> <ul style="list-style-type: none"> <li>▶ Select a programme with a higher washing temperature.</li> </ul> <hr/> <p>Too little detergent is being used or is unsuitable.</p> <ul style="list-style-type: none"> <li>▶ Use a suitable Detergent and follow the manufacturer's instructions for the amount to be used.</li> </ul> <hr/> <p>Tableware has been precleaned too intensely. The sensors chose a weaker programme. Stubborn soiling cannot be entirely removed.</p> <ul style="list-style-type: none"> <li>▶ Only remove large remnants of food and do not prerinse tableware.</li> </ul>   |
| Coloured coatings (blue, yellow, brown) that are difficult or impossible to remove are present inside the appliance or on stainless steel tableware. | <p>The formation of films is due to substances contained in vegetables (cabbage, celery, potatoes, noodles, etc.) or tap water (manganese).</p> <ul style="list-style-type: none"> <li>▶ Clean the appliance.</li> </ul> <p>You can remove deposits with Mechanical cleaning → <i>Page 38</i> or a machine cleaning product. It may not always be possible to completely remove deposits but they are harmless to health.</p> <hr/> <p>The formation of films is due to metal components on silver or aluminium tableware.</p> <ul style="list-style-type: none"> <li>▶ Clean the appliance.</li> </ul> <p>You can remove deposits with Mechanical cleaning → <i>Page 38</i> or a machine cleaning product. It may not always be possible to completely remove deposits but they are harmless to health.</p> |
| Coloured deposits (yellow, orange, brown) that are easy to remove are present inside the appliance (mainly at the bottom).                           | <p>The formation of films is due to ingredients of food remnants and tap water (limescale) "soaplike".</p> <ol style="list-style-type: none"> <li>1. Check the setting of the water softening system.</li> <li>2. Add special salt.</li> <li>3. If you are using combined detergents (tabs), activate the water softening system.</li> </ol> <p>Follow the information on detergents.<br/>→ <i>"Information on detergents", Page 30</i></p>  |

| Fault   | Cause and troubleshooting   |
|---|---|
| Plastic parts inside the appliance are discoloured.   | Plastic parts inside the appliance may become discoloured during the life of the dishwasher. <ul style="list-style-type: none"> <li>▶ Discolouration can come about and will not impair functioning of the appliance.</li> </ul>  |
| Plastic parts are discoloured.  | Washing temperature is too low. <ul style="list-style-type: none"> <li>▶ Select a programme with a higher washing temperature.</li> </ul>   |
| Removable streaks are present on glasses, glassware with a metallic appearance and cutlery. | Tableware has been precleaned too intensely. The sensors chose a weaker programme. Stubborn soiling cannot be entirely removed. <ul style="list-style-type: none"> <li>▶ Only remove large remnants of food and do not prerinse tableware.</li> </ul> <hr/> Amount of rinse aid to be dispensed is set too high. <ul style="list-style-type: none"> <li>▶ Set the rinse aid system to a lower setting.</li> </ul> <hr/> No rinse aid has been added. <ul style="list-style-type: none"> <li>▶ Add rinse aid.<br/>→ <i>"Adding rinse aid", Page 28</i></li> </ul> <hr/> Detergent residue is present in the final rinse. Lid of the detergent dispenser is blocked by tableware items and will not open fully. <ol style="list-style-type: none"> <li>1. Arrange tableware in the top basket tableware so the tab collecting tray is not obstructed by tableware.<br/>→ <i>"Arrange tableware", Page 33</i></li> <li>Items of tableware are blocking the dispenser lid.</li> <li>2. Do not place tableware or fragrance dispensers in the tablet collecting tray.</li> </ol> <hr/> Tableware has been precleaned too intensely. The sensors chose a weaker programme. Stubborn soiling cannot be entirely removed. <ul style="list-style-type: none"> <li>▶ Only remove large remnants of food and do not prerinse tableware.</li> </ul> |

| <b>Fault</b>   | <b>Cause and troubleshooting</b>  |
|--|---|
| Irreversible clouding of glassware.  | <p>Glasses are not dishwasher-proof, only suitable for dishwashers.</p> <ul style="list-style-type: none"> <li>▶ Use dishwasher-proof glasses.</li> </ul> <p>Glasses are usually only suitable for use in a dishwasher, i.e. long-term wear or long-term changes must be expected.</p> <ul style="list-style-type: none"> <li>▶ Avoid a lengthy steam phase (standing time after wash cycle ends).</li> <li>▶ Use a programme with a lower temperature.</li> <li>▶ Set the softening system to the water hardness.</li> <li>▶ Use detergent with a glass protection component.</li> </ul> |
| Rust spots on cutlery.   | <p>Cutlery is not sufficiently rust-resistant. Knife blades are often more severely affected.</p> <ul style="list-style-type: none"> <li>▶ Use rust-resistant tableware.</li> </ul> <hr/> <p>Cutlery may also rust if washed together with rusting items.</p> <ul style="list-style-type: none"> <li>▶ Do not wash rusting items.</li> </ul> <hr/> <p>Salt content in washing water is too high.</p> <ol style="list-style-type: none"> <li>1. Remove any spilled special salt from the tub.</li> <li>2. Screw the cap of the special salt dispenser on tight.</li> </ol>                 |
| Detergent residue is present in the detergent dispenser or the tablet collecting tray. | <p>Spray arms were blocked by tableware so detergent was not rinsed out.</p> <ul style="list-style-type: none"> <li>▶ Check that the spray arms are not blocked and can rotate freely.</li> </ul> <hr/> <p>Detergent dispenser was damp when detergent was added.</p> <ul style="list-style-type: none"> <li>▶ Only add detergent to a detergent dispenser when dry.</li> </ul>   |
| Excessive formation of foam occurs.  | <p>Hand washing-up liquid is present in dispenser for rinse aid.</p> <ul style="list-style-type: none"> <li>▶ Immediately add rinse aid to the dispenser.<br/>→ <i>"Adding rinse aid", Page 28</i></li> </ul> <hr/> <p>Rinse aid has been spilled.</p> <ul style="list-style-type: none"> <li>▶ Remove the rinse aid with a cloth.</li> </ul> <hr/> <p>Detergent or appliance care product used causes excessive foaming.</p> <ul style="list-style-type: none"> <li>▶ Change the brand of detergent.</li> </ul>  |
| Special salt refill indicator lights up.   | <p>Insufficient special salt.</p> <ul style="list-style-type: none"> <li>▶ Add Special salt.</li> </ul> <hr/> <p>Sensor does not detect special salt tablets.</p>   |

| Fault   | Cause and troubleshooting   |
|---|---|
| Special salt refill indicator lights up.                    | <ul style="list-style-type: none"> <li>▶ Do not use special salt tablets.</li> </ul>  |
| Refill indicator for special salt does not light up.        | <p>Water softening system is switched off.</p> <ul style="list-style-type: none"> <li>▶ Set the water softening system.</li> </ul>  |
| Refill indicator for rinse aid lights up.                   | <p>Insufficient rinse aid.</p> <ol style="list-style-type: none"> <li>1. Add Rinse aid → <i>Page 28</i>.</li> <li>2. Set the amount of rinse aid to be dispensed.</li> </ol>  |
| Refill indicator for rinse aid does not light up.           | <p>Rinse aid system is switched off.</p> <ul style="list-style-type: none"> <li>▶ Set the amount of rinse aid to be dispensed.</li> </ul>   |
| Display flashes.  | <p>Appliance door is not closed properly.</p> <ul style="list-style-type: none"> <li>▶ Close the appliance door.               <ul style="list-style-type: none"> <li>– Arrange the tableware so that no parts project beyond the basket and prevent the appliance door from closing properly.</li> </ul> </li> </ul>   |
| Machine Care indicator lights up.                           | <p>Machine care is recommended.</p> <ul style="list-style-type: none"> <li>▶ Run the Machine Care programme without tableware.               <ul style="list-style-type: none"> <li>– Use a special machine care product.</li> </ul> </li> </ul> <p>The indicator will go out automatically after 3 wash cycles whether Machine Care is carried out or not.</p>   |
| Water is left in the appliance at the end of the programme. | <p>Filter system or area under the filters is blocked.</p> <ol style="list-style-type: none"> <li>1. Clean the Filters → <i>Page 40</i>.</li> <li>2. Clean the Wastewater pump → <i>Page 55</i>.</li> </ol>   |
| Appliance cannot be switched on or operated.                | <p>Programme has not yet ended.</p> <ul style="list-style-type: none"> <li>▶ Wait until the programme ends or cancel the programme with <b>Reset</b>.</li> <li>▶ → <i>"Terminate programme", Page 36</i></li> </ul>   |
| Appliance does not start.                                   | <p>Appliance functions have failed.</p> <ol style="list-style-type: none"> <li>1. Pull out the mains plug or switch off the fuse.</li> <li>2. Wait at least 2 minutes.</li> <li>3. Connect the appliance to the power supply.</li> <li>4. Switch the appliance on.</li> </ol> <hr/> <p>The mains fuse has tripped.</p> <ul style="list-style-type: none"> <li>▶ Check the relevant fuse.</li> </ul> <hr/> <p>Mains cable is not inserted.</p> <ol style="list-style-type: none"> <li>1. Check whether the socket works.</li> <li>2. Check whether the mains cable is properly inserted in the socket and on the rear of the appliance.</li> </ol> |

| <b>Fault</b>                                      | <b>Cause and troubleshooting</b>   |
|---|--|
| Appliance does not start.                         | Appliance door is not closed properly.<br>▶ Close the appliance door.  |
| Programme starts automatically.                   | You did not wait until programme ended.<br>▶ → " <i>Terminate programme</i> ", Page 36   |
| Appliance stops during the programme or cuts out. | Appliance door is not closed properly.<br>▶ Close the appliance door.  |
|   | Power and/or water supply has been interrupted.<br><b>1.</b> Check the power supply.<br><b>2.</b> Check the water supply.  |
|   | Top basket is pressing against inner door and preventing appliance door from being closed securely.<br>▶ Check whether the rear panel of the appliance is being pressed in by a socket or hose holder that has not been removed.<br>▶ Arrange the tableware so that no parts project beyond the basket and prevent the appliance door from closing properly. |
| Appliance door cannot be closed.                  | Door lock has been activated.<br>▶ Close the appliance door with greater force.  |
|   | Door cannot be closed due to installation method.<br>▶ Check whether the appliance has been installed properly.<br>When closed, the appliance door, its decor or attached parts should not knock against adjacent cabinets or the worktop.   |
| Lid on the detergent dispenser cannot be closed.  | Detergent dispenser or lid are blocked by sticky detergent residue.<br>▶ Remove detergent residue.   |
| Filling valves making knocking noises.            | Caused by the domestic installation. No appliance fault present. Does not affect functioning of the appliance.<br>▶ Can only be remedied in the domestic installation.   |
| Knocking or rattling noise.                       | Spray arm is striking tableware.<br>▶ Arrange tableware so that the spray arms do not strike tableware.  |
|   | With a small load the water jets directly strike against the tub.<br>▶ Distribute the tableware evenly.<br>▶ Load the appliance with more tableware.   |

---

| <b>Fault</b>                | <b>Cause and troubleshooting</b>  |
|-----------------------------|---|
| Knocking or rattling noise. | Light items of tableware move about during the wash cycle.<br>▶ Position light items of tableware securely. |

---

## 18.1 Clean wastewater pump

Large remnants of food or foreign bodies can block the waste water pump. As soon as the rinsing water no longer drains properly, the waste water pump must be cleaned.

### **⚠ WARNING** **Risk of injury!**

Sharp and pointed objects or fragments of glass may block the waste water pump and cause injury.

- ▶ Remove any foreign bodies carefully.
1. Disconnect the appliance from the power supply.
  2. Remove the top and bottom basket.
  3. Remove the filter system.
  4. Scoop out any water.  
Use a sponge if necessary.
  5. Prise off the pump cover using a spoon and grip it by the crosspiece.



6. Lift the pump cover inwards at an angle and remove.
- ✓ You can now reach the impeller with your hand.
7. Remove any remnants of food and foreign bodies in the area of the impeller.

8. Insert the pump cover ① and press down ②.



- ✓ The pump cover clicks into position.
9. Install the filter system.
  10. Insert the top and bottom basket.

---

## 19 Transportation, storage and disposal

### 19.1 Removing the appliance

1. Disconnect the appliance from the mains power supply.
2. Turn off the water tap.
3. Detach the drainage connection.
4. Detach the drinking water connection.
5. Loosen any screws fastening the appliance to cabinet parts.
6. Remove the base panel if fitted.
7. Pull the appliance out carefully, along with the hose behind it.

## 19.2 Protect appliance from frost

If there is a risk of frost where the appliance will be standing, e.g. in a holiday home, empty the appliance completely.

- ▶ Empty the appliance.  
→ *"Transporting the appliance"*, Page 56

## 19.3 Transporting the appliance

To avoid damage to the appliance, empty it before transporting.

**Note:** Always transport the appliance upright to prevent residual water getting into the machine's controls and damaging the appliance.

1. Remove tableware from the appliance.
2. Secure loose parts.
3. Turn on the water tap.
4. Switch on the appliance.
5. Select the programme with the highest temperature.  
→ *"Programmes"*, Page 19
6. Start the programme. → Page 35
7. To drain the appliance, terminate the programme after approx. 4 minutes.  
→ *"Terminate programme"*, Page 36
8. Switch off the appliance.  
→ Page 36
9. Turn off the tap.
10. To empty the residual water out of the appliance, detach the supply hose and let the water drain out.

## 19.4 Disposing of old appliance

Valuable raw materials can be re-used by recycling.

### **WARNING**

#### **Risk of harm to health!**

Children can lock themselves in the appliance, thereby putting their lives at risk.

- ▶ With redundant appliances, unplug the power cord. Then cut through the cord and damage the lock on the appliance door beyond repair so that the appliance door will no longer close.

1. Unplug the appliance from the mains.
2. Cut through the power cord.
3. Dispose of the appliance in an environmentally friendly manner.

Information about current disposal methods are available from your specialist dealer or local authority.



This appliance is labelled in accordance with European Directive 2012/19/EU concerning used electrical and electronic appliances (waste electrical and electronic equipment - WEEE). The guideline determines the framework for the return and recycling of used appliances as applicable throughout the EU.



## 20 Customer Service

Detailed information on the warranty period and terms of warranty in your country is available from our after-sales service, your retailer or on our website.

If you contact Customer Service, you will require the product number (E-Nr.) and the production number (FD) of your appliance.

The contact details for Customer Service can be found in the enclosed Customer Service directory or on our website.

### 20.1 Product number (E-Nr.) and production number (FD)

You can find the product number (E-Nr.) and the production number (FD) on the appliance's rating plate.

The rating plate is located inside the appliance door.

→ *"Familiarising yourself with your appliance", Page 15*

Make a note of your appliance's details and the Customer Service telephone number to find them again quickly.

### 20.2 AQUA-STOP guarantee<sup>1</sup>

In addition to warranty claims against the seller under the purchase agreement and in addition to our manufacturer's warranty, we will provide a replacement under the following conditions.

- If our Aqua-Stop system is defective and causes water damage, we will make good the damage for private users. To ensure protection

from water damage, the appliance must be connected to the power supply.

- The liability guarantee is valid for the service life of the appliance.
- A claim can only be made under the guarantee if the appliance has been correctly installed and connected with Aqua-Stop according to our instructions; this also includes correctly fitting the Aqua-Stop extension (genuine accessory). Our guarantee does not cover defective supply lines or fittings up to the Aqua-Stop connection on the tap.
- If your appliance is fitted with Aqua-Stop, you can leave your appliance unattended during operation and the tap turned on afterwards. The tap only needs to be turned off if you are away from home for a long period, e.g. on holiday for several weeks.

<sup>1</sup> Depending on the appliance specifications

## 21 Technical specifications

|                   |   |
|-------------------|---|
| Weight            | Max.: 60 kg   |
| Voltage           | 220 - 240 V, 50 Hz or 60 Hz   |
| Power rating      | 2000 - 2400 W   |
| Fuse              | 10 - 16 A   |
| Power consumption | <p>Off mode/standby mode: 0.10 W<br/> Left-on mode: 0.10 W<br/> Networked standby: 0.00 W<br/> Time in left-on mode: 0 min<br/> Time after which appliance is switched to networked standby mode: - mins<br/> Complies with the latest regulations (EU) for energy labels and ecodesign at the time of placing on the market. Additional functions and settings may increase power consumption and times.</p> |
| Water pressure    | <ul style="list-style-type: none"> <li>■ min. 50 kPa (0.5 bar)</li> <li>■ max. 1000 kPa (10 bar)</li> </ul>   |
| Inlet rate        | Min. 10 l/min   |
| Water temperature | <p>Cold water.<br/> Hot water max.: 60 °C</p>   |
| Capacity          | 12 - 15 place settings  |





## Thank you for buying a Bosch Home Appliance!

Register your new device on MyBosch now and profit directly from:

- **Expert tips & tricks for your appliance**
- **Warranty extension options**
- **Discounts for accessories & spare-parts**
- **Digital manual and all appliance data at hand**
- **Easy access to Bosch Home Appliances Service**

Free and easy registration – also on mobile phones:

**[www.bosch-home.com/welcome](http://www.bosch-home.com/welcome)**



## Looking for help? You'll find it here.

Expert advice for your Bosch home appliances, help with problems or a repair from Bosch experts.

Find out everything about the many ways Bosch can support you:

**[www.bosch-home.com/service](http://www.bosch-home.com/service)**

Contact data of all countries are listed in the attached service directory.

### **BSH Hausgeräte GmbH**

Carl-Wery-Straße 34  
81739 München, GERMANY  
[www.bosch-home.com](http://www.bosch-home.com)

A Bosch Company



**9001932026** (040613) 642 MA

en