



BOSCH



Register your
new device on
MyBosch now and
get free benefits:
**[bosch-home.com/
welcome](https://www.bosch-home.com/welcome)**

Tumble dryer

WTX88M20AU

[en] User manual and installation
instructions

Further information and explanations are available online:



Table of contents

1 Safety	4	9 Accessories.....	26
1.1 General information.....	4	10 Laundry.....	26
1.2 Intended use.....	4	10.1 Preparing the laundry.....	26
1.3 Restriction on user group.....	4	11 Basic operation	27
1.4 Safe installation	5	11.1 Switching on the appliance... ..	27
1.5 Safe use	7	11.2 Setting a programme	27
1.6 Safe cleaning and maintenance.....	9	11.3 Adjusting the programme settings	27
2 Preventing material damage	11	11.4 Loading laundry.....	27
3 Environmental protection and saving energy.....	11	11.5 Starting the programme	27
3.1 Disposing of packaging	11	11.6 Adding laundry	27
3.2 Saving energy.....	11	11.7 Cancelling the programme... ..	28
3.3 Energy saving mode	12	11.8 Unloading the laundry	28
4 Installation and connection	12	11.9 Switching off the appliance... ..	28
4.1 Unpacking the appliance	12	11.10 Fluff filter.....	28
4.2 Contents of package.....	12	11.11 Condensation container	30
4.3 Requirements for the installation location	13	12 Dryness level.....	31
4.4 Water drain hose	13	12.1 Changing the dryness level... ..	31
4.5 Aligning the appliance.....	16	12.2 Adjusting the dryness level	31
4.6 Connecting the appliance to the electricity supply.....	16	13 Childproof lock.....	31
5 Familiarising yourself with your appliance.....	17	13.1 Activating the childproof lock.....	31
5.1 Appliance	17	13.2 Deactivating the childproof lock.....	31
5.2 Control panel.....	18	14 Basic settings.....	32
6 Display	19	14.1 Overview of the basic settings.....	32
7 Buttons	21	14.2 Changing the basic settings.....	32
8 Programmes	23	15 Appliance care	32
8.1 Automatic programmes.....	23	15.1 Preparing for appliance care	32
8.2 Timed programmes.....	24		

15.2 Calling up the appliance care programme.....	33
15.3 Running the basic appli- ance care programme	33
15.4 Running the intensive appli- ance care programme	34
16 Cleaning and servicing	35
16.1 Tips on cleaning and care	35
16.2 Base unit	35
16.3 Moisture sensor.....	37
16.4 Condensation container fil- ter	37
17 Troubleshooting.....	39
18 Transportation, storage and disposal	44
18.1 Preparing the appliance for transportation	44
18.2 Disposing of old appliance ...	44
19 Customer Service.....	45
19.1 Product number (E-Nr.) and production number (FD).....	45
20 Consumption values.....	46
21 Technical data	46



1 Safety

Observe the following safety instructions.

1.1 General information



- Read this instruction manual carefully.
- Keep the instruction manual and the product information safe for future reference or for the next owner.
- Do not connect the appliance if it has been damaged in transit.

1.2 Intended use

Only use this appliance:

- for drying and freshening up fabrics that are washed with water and suitable for dryers.
- in private households and in enclosed spaces in a domestic environment.
- up to an altitude of max. 4000 m above sea level.

1.3 Restriction on user group

This appliance may be used by children aged 8 or over and by people who have reduced physical, sensory or mental abilities or inadequate experience and/or knowledge, provided that they are supervised or have been instructed on how to use the appliance safely and have understood the resulting dangers.

Do not let children play with the appliance.

Cleaning and user maintenance must not be performed by children unless they are being supervised.

Keep children under the age of 3 years and pets away from the appliance.

1.4 Safe installation

WARNING – Risk of electric shock!

Incorrect installation is dangerous.

- ▶ Connect and operate the appliance only in accordance with the specifications on the rating plate.
- ▶ Connect the appliance to a power supply with alternating current only via a properly installed socket with earthing.
- ▶ The protective conductor system of the domestic electrical installation must be properly installed. The installation must have a sufficiently large cross section.
- ▶ When using a residual current circuit breaker, only use a type with the  mark.
- ▶ Never equip the appliance with an external switching device, e.g. a timer or remote control.
- ▶ Never connect the appliance to a circuit that is regularly switched on and off by the energy supplier.
- ▶ When the appliance is installed, the mains plug of the power cord must be freely accessible. If free access is not possible, an all-pole isolating switch must be installed in the permanent electrical installation according to the installation regulations.
- ▶ When installing the appliance, check that the power cable is not trapped or damaged.

If the insulation of the power cord is damaged, this is dangerous.

- ▶ Never let the power cord come into contact with hot appliance parts or heat sources.
- ▶ Never let the power cord come into contact with sharp points or edges.
- ▶ Never kink, crush or modify the power cord.

WARNING – Risk of fire!

It is dangerous to use an extended power cord and non-approved adapters.

- ▶ Do not use extension cables or multiple socket strips.
- ▶ Only use adapters and power cords approved by the manufacturer.

- ▶ If the power cord is too short and a longer one is not available, please contact an electrician to have the domestic installation adapted.

⚠ WARNING – Risk of injury!

The high weight of the appliance may result in injury when lifted.

- ▶ Do not lift the appliance on your own.

If this appliance is not correctly installed in a washer-dryer stack, the installed appliance may fall.

- ▶ Only stack the dryer on a washing machine using the connection kit from the dryer manufacturer
→ "Accessories", Page 26. No other installation method is permitted.
- ▶ Do not install the appliance in a washer-dryer stack if the dryer manufacturer does not offer a suitable connection kit.
- ▶ Do not install appliances from different manufacturers and with varying depths and widths in a washer-dryer stack.
- ▶ Do not install a washer-dryer stack on a platform; the appliances may tip over.

⚠ WARNING – Risk of suffocation!

Children may put packaging material over their heads or wrap themselves up in it and suffocate.

- ▶ Keep packaging material away from children.
- ▶ Do not let children play with packaging material.

⚠ CAUTION – Risk of injury!

The appliance may vibrate or move when in use.

- ▶ Place the appliance on a clean, even, solid surface.
- ▶ Align the appliance using the appliance feet and a spirit level.

If hoses and power cords have been laid incorrectly, this causes a tripping hazard.

- ▶ Lay hoses and power cords in such a way that there is no risk of tripping.

If the appliance is moved by holding onto protruding components, such as the appliance door, the parts may break off.

- ▶ Do not move the appliance by holding onto protruding parts.

⚠ CAUTION – Risk of cutting!

Touching sharp edges on the appliance may lead to cuts.

- ▶ Do not touch the sharp edges on the appliance.
- ▶ Wear protective gloves when installing and transporting the appliance.

1.5 Safe use**⚠ WARNING – Risk of electric shock!**

If the appliance or the power cord is damaged, this is dangerous.

- ▶ Never operate a damaged appliance.
- ▶ Never pull on the power cord to unplug the appliance. Always unplug the appliance at the mains.
- ▶ If the appliance or the power cord is damaged, immediately unplug the power cord or switch off the fuse in the fuse box.
- ▶ Call customer services. → *Page 45*

An ingress of moisture can cause an electric shock.

- ▶ Only use the appliance in enclosed spaces.
- ▶ Never expose the appliance to intense heat or humidity.
- ▶ Do not use steam- or high-pressure cleaners, hoses or sprays to clean the appliance.

⚠ WARNING – Risk of harm to health!

Children can lock themselves in the appliance, thereby putting their lives at risk.

- ▶ Do not install the appliance behind a door as this may obstruct the appliance door or prevent it from opening.
- ▶ With redundant appliances, unplug the power cord. Then cut through the cord and damage the lock on the appliance door beyond repair so that the appliance door will no longer close.

⚠ WARNING – Risk of suffocation!

Children may breathe in or swallow small parts, causing them to suffocate.

- ▶ Keep small parts away from children.
- ▶ Do not let children play with small parts.

⚠ WARNING – Risk of explosion!

If there is coal dust or flour in the air around the appliance, this may cause an explosion.

- ▶ Keep the area around the appliance clean during operation.

⚠ WARNING – Risk of poisoning!

Condensation water from this appliance is not suitable for drinking and may be contaminated with fluff.

- ▶ Do not drink or reuse the condensation water from the appliance.

Detergents and care products may result in poisoning if consumed.

- ▶ If accidentally swallowed, seek medical advice.
- ▶ Keep detergents and care products out of the reach of children.

⚠ WARNING – Risk of fire!

The refrigerant R290 in this appliance is environmentally friendly yet combustible and may ignite if it comes into contact with open flames or ignition sources.

- ▶ Keep naked flames and ignition sources away from the appliance.



ance.

⚠ WARNING – Risk of explosion!

If there is any residual material left in the fluff filter, this may ignite during the drying process.

- ▶ Clean the fluff filter regularly.

Highly flammable objects such as lighters or matches may ignite during the drying process.

- ▶ Remove all highly flammable objects from any pockets in your laundry before the drying process.

Unwashed laundry that has come into contact with solvents, oil, wax, wax remover, paint, grease or stain remover may ignite when drying is in progress.

- ▶ Do not place laundry in this appliance to be dried if the laundry has not been washed first.

- ▶ Rinse the laundry thoroughly with warm water and detergent before drying it in the machine.
- ▶ Do not use the appliance if industrial chemicals have been used to clean the laundry beforehand.

⚠ WARNING – Risk of fire!

If drying is interrupted early, the laundry is not cooled sufficiently and may ignite.

- ▶ Do not interrupt the drying programme early.
- ▶ If drying is interrupted early, remove the laundry immediately and spread it out.

⚠ CAUTION – Risk of injury!

The covering plate may break if you stand on or climb onto the appliance.

- ▶ Do not stand on or climb onto the appliance.

The appliance may tip over if you sit on or lean against the open door.

- ▶ Do not sit on or lean against the appliance door.
- ▶ Do not place any objects on the appliance door.

Reaching into the drum while it is still turning may cause hand injuries.

- ▶ Wait for the drum to come to a complete stop before reaching inside.

1.6 Safe cleaning and maintenance


⚠ WARNING – Risk of electric shock!

Improper repairs are dangerous.

- ▶ Never make any technical modifications to the appliance or its features.
- ▶ Repairs to the appliance should only be carried out by trained specialist staff.
- ▶ Only use genuine spare parts when repairing the appliance.
- ▶ If the power cord of this appliance is damaged, it must be replaced by the manufacturer, the manufacturer's Customer Service or a similarly qualified person in order to prevent any risk.

An ingress of moisture can cause an electric shock.

- ▶ Before cleaning, pull out the mains plug or switch off the fuse in the fuse box.
- ▶ Do not use steam- or high-pressure cleaners, hoses or sprays to clean the appliance.

 WARNING – Risk of injury!

The use of non-original spare parts and non-original accessories is dangerous.

- ▶ Only use the manufacturer's original spare parts and original accessories.

 WARNING – Risk of poisoning!

Poisonous fumes may be given off if you use cleaning agents that contain solvents.

- ▶ Do not use cleaning agents that contain solvents.

2 Preventing material damage

ATTENTION!

The functionality of the appliance may be impaired if you use the wrong quantity of fabric softener, detergent, care product or cleaning agent.

- ▶ Follow the dosage recommendations from the manufacturer.

Exceeding the maximum load capacity impairs the function of the appliance.

- ▶ Observe the maximum load capacity for each programme and do not exceed it.

→ "Programmes", Page 23

The function of the appliance may be impaired if the appliance overheats.

- ▶ Keep the ventilation opening on the appliance clear during operation.
- ▶ Make sure that the area is adequately ventilated.

Light objects such as hair and fluff may be sucked in from the ventilation opening on the appliance during operation and impair the function of the appliance.

- ▶ Keep the area around the appliance clean during operation.
- ▶ Keep light objects away from the appliance.

If you operate the appliance without a fluff guard (e.g. fluff filter, fluff collector, filter mat, etc., depending on appliance specifications), or if the fluff guard is incomplete or defective, this may result in damage to the appliance.

- ▶ Do not operate the appliance without a fluff guard, or with a fluff guard that is incomplete or defective.

Foam and foam rubber may deform or melt during the drying process.

- ▶ Do not dry laundry that contains foam or foam rubber.

Unsuitable cleaning products may damage the surfaces of the appliance.

- ▶ Do not use harsh or abrasive detergents.
- ▶ Do not use cleaning products with a high alcohol content.
- ▶ Do not use hard scouring pads or cleaning sponges.
- ▶ Clean the appliance with nothing but water and a soft, damp cloth.
- ▶ Remove all detergent residue, spray residue or other residues immediately if they come into contact with the appliance.

3 Environmental protection and saving energy

3.1 Disposing of packaging

The packaging materials are environmentally compatible and can be recycled.

- ▶ Sort the individual components by type and dispose of them separately.

3.2 Saving energy

If you follow these instructions, your appliance will use less power.

Operate the appliance in a well-ventilated room and keep the ventilation opening on the appliance clear.

- ✓ If air exchange is impeded, this extends the programme duration and increases energy consumption.

Spin the laundry in the washing machine before drying.

- ✓ Damper laundry extends the programme duration and increases energy consumption.

Observe the programme's maximum load capacity.

→ "Programmes", Page 23

- ✓ If the maximum load is exceeded, this extends the programme duration and increases energy consumption.

After drying, clean the fluff filter

→ Page 28.

- ✓ If the fluff filter is dirty, this reduces the air flow in the appliance, extends the programme duration and increases energy consumption.

3.3 Energy saving mode

If you do not use the appliance for an extended period, it automatically switches to energy-saving mode. All displays go out and **Start/▷**

Pause flashes.

Energy-saving mode ends when you use the appliance again.

If you do not continue operating the appliance, it switches off.

4 Installation and connection

4.1 Unpacking the appliance

ATTENTION!

Objects remaining in the drum that are not designed for operation with the appliance may cause material damage and damage to the appliance.

- ▶ Remove these objects, along with all supplied accessories, from the drum before starting the appliance.

1. Remove any packaging and protective covers completely from the appliance.

→ "Disposing of packaging", Page 11

2. Check the appliance for visible damage.
3. Open the door.
4. Remove any accessories from the drum.
5. Close the door.

4.2 Contents of package

After unpacking all parts, check for any damage in transit and completeness of the delivery.

ATTENTION!

If the appliance is operated with incomplete or defective accessories, the appliance may not be able to operate properly, or this may result in material damage or damage to the appliance.

- ▶ Do not operate the appliance with incomplete or defective accessories.

- ▶ Replace the accessories in question before operating the appliance.
→ "Accessories", Page 26

The delivery consists of the following:

- Tumble dryer
- Accompanying documents
- Water drain hose with connection adapter, fixing material and elbow.
→ "Water drain hose", Page 13

4.3 Requirements for the installation location

ATTENTION!

If the appliance is tilted at an angle greater than 40°, residual water may leak out of the appliance and cause material damage.

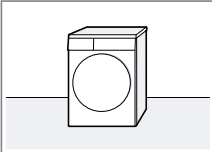
- ▶ Tilt the appliance carefully.
- ▶ Transport the appliance in an upright position.

If residual water in the appliance freezes, this may cause damage to the appliance.

- ▶ Do not install or operate this appliance anywhere that is liable to experience frost or outdoors.

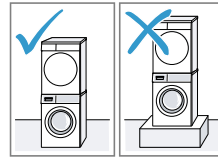
If the appliance is operated immediately after transportation, the refrigerant contained in the appliance may result in damage to the appliance.

- ▶ Immediately after transporting the appliance, leave it to rest for two hours before putting it into operation.

Installation location	Requirements
On the floor 	Place the appliance on a clean, level and firm surface. Align the appliance → Page 16.

Installation location	Requirements
-----------------------	--------------

In a washer-dryer stack



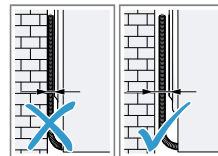
Only use the original connection set from the dryer manufacturer when setting up this appliance in a washer-dryer stack.

- Connection kit with pull-out worktop
→ Page 26
- Connection kit
→ Page 26

This appliance must only be stacked on a washing machine from the same manufacturer. The depth and width of this appliance must correspond with the dimensions of the washing machine.

Do not place the washer-dryer stack on a platform.

Against a wall



Do not trap the hoses and power cord between the wall and the appliance.

4.4 Water drain hose

Condensation that forms in the appliance as it dries the laundry is collected by default in the condensation

en Installation and connection

container. Use the water drain hose to drain away excess condensation directly into the waste water system.

Note

- Operate this appliance using the water outlet hose provided.
→ "Connecting the water drain hose", Page 14
If you connect the water outlet hose, you do not have to regularly empty the condensation container.
→ "Emptying the condensation container", Page 30

Connecting the water drain hose

If you do not want to regularly empty the appliance's condensation container, connect the water outlet hose.

ATTENTION!

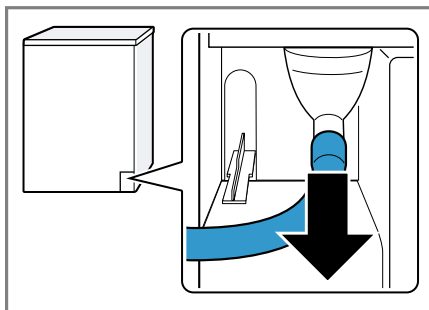
When operating the appliance without the water drain hose being connected properly, liquid may leak out of the connecting piece.

- ▶ Before operating the appliance, connect the water drain hose properly to the connecting piece.

Requirements

- The appliance and the accessory have been unpacked.
→ "Unpacking the appliance", Page 12
- The appliance is installed at the installation location.
→ "Requirements for the installation location", Page 13

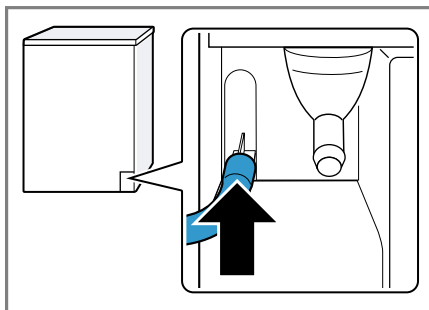
1. Pull out the condensation hose from the connecting piece.



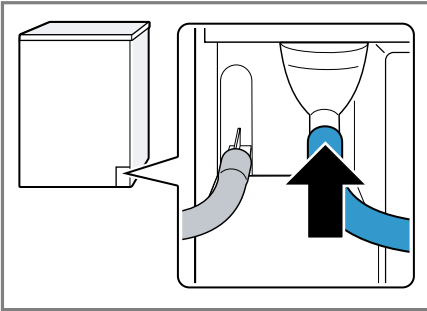
The condensation hose is connected to the connecting piece at the factory.

Note: When removing the condensation hose, liquid may leak out of the connecting piece.

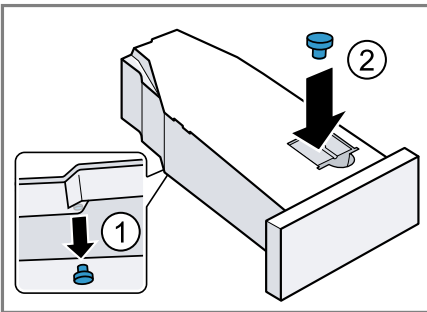
2. Push the condensation hose into the holder.



3. Push the water drain hose as far as it will go into the connecting piece.



4. Empty the condensation container.
→ "Emptying the condensation container", Page 30
5. Remove the stopper from the underside ① and insert it in the recess in the top ②.



6. Insert the condensation container.
→ "Inserting the condensation container", Page 30
7. Connect the appliance to the water outlet.
→ "Water outlet connection types", Page 15

Tip: To collect condensation in the condensation container again (e.g. if you change where the appliance is located), carry out these steps in reverse order.

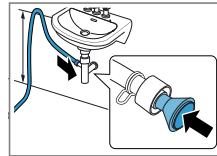
Water outlet connection types

ATTENTION!

In the event of a blocked or covered outlet, accumulated wastewater can flow back into the appliance.

- Before operating the appliance, ensure that the wastewater drains away quickly and eliminate any blockages.

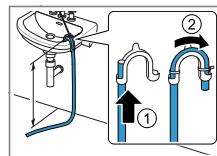
Drainage into a siphon.



Secure the connection point with a (12-22 mm) hose clamp. Secure the water outlet hose with a hose guide at a height of at least 80 cm and no more than 100 cm.

Note: You can use the Y-distributor → Page 26 to connect the water drain hose of an additional appliance, such as a washing machine, to the same siphon outlet.

Drainage into a wash basin.

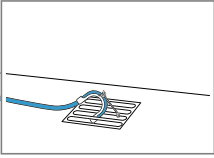


Push the water drain hose fully through the elbow and secure it using fixing material. Secure the elbow at a height of no more than 100 cm.

Drainage into a gully.

Push the water drain hose fully through the el-

en Installation and connection

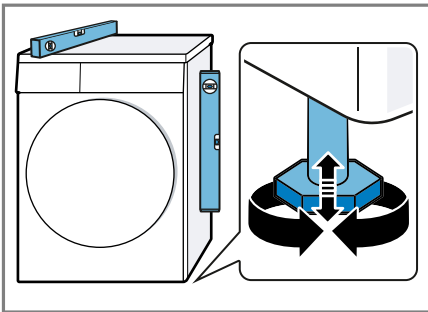


bow and secure it using fixing material. Secure the elbow to the gully.

4.5 Aligning the appliance

In order to reduce vibrations and noises, align the appliance correctly.

- ▶ To align the appliance, turn the appliance feet. Check that the appliance is level using a spirit level.



All appliance feet must stand firmly on the ground.

4.6 Connecting the appliance to the electricity supply

1. Insert the mains plug of the appliance's power cable in a socket nearby.

The connection details of the appliance can be found under Technical data → *Page 46*.

2. Check the mains plug is inserted properly.

5 Familiarising yourself with your appliance

5.1 Appliance

You can find an overview of the parts of your appliance here.

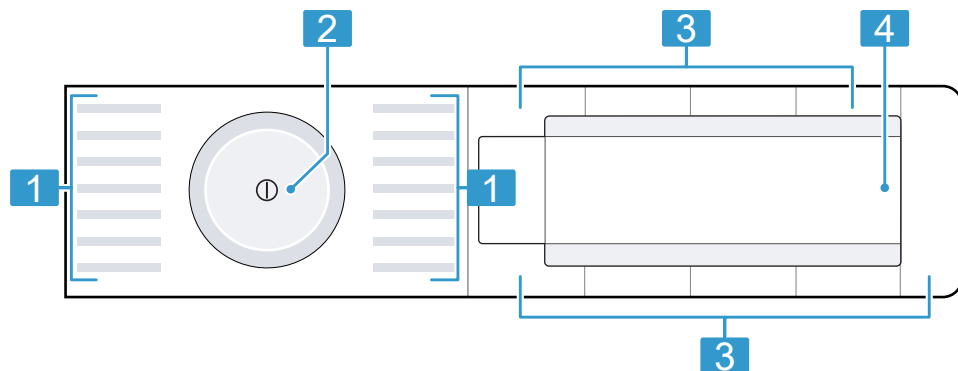


On certain models, specific details such as the colour and shape may differ from those pictured.

1	Ventilation opening	4	Door
2	Maintenance flap on the base unit → <i>Page 35</i>	5	Condensation container → <i>Page 30</i>
3	Fluff filter → <i>Page 28</i>	6	Control panel → <i>Page 18</i>

5.2 Control panel

You can use the control panel to configure all functions of your appliance and to obtain information about the operating status.



1 Programmes → *Page 23*

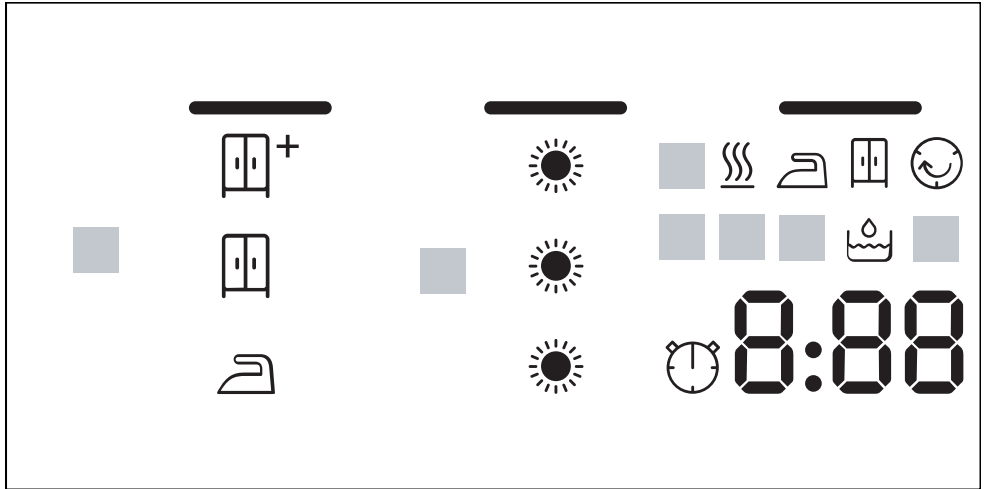
2 Programme selector
→ *Page 27*

3 Buttons → *Page 21*

4 Display → *Page 19*

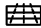
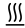



6 Display

The display shows the current settings, options or relevant information.







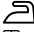


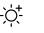




Display	Description
0:40 ¹	Expected programme duration or programme time remaining in hours and minutes.
1:25	The timed programme is set. → <i>"Timed programmes", Page 24</i>
10h ¹	Program end time → <i>"Buttons", Page 22</i>
	The dryness level is activated. → <i>"Buttons", Page 21</i>
	The dryness level is activated. → <i>"Buttons", Page 21</i>
	The dryness level is activated. → <i>"Buttons", Page 21</i>
 	The adjusted dryness level is activated. → <i>"Dryness level", Page 31</i>
	Empty and insert the condensation container. → <i>"Emptying the condensation container", Page 30</i>
	Clean the fluff filter. → <i>"Cleaning the fluff filter", Page 28</i>

¹ Example

Display	Description
CrE	Run the basic appliance care programme. → "Appliance care", Page 32
Hot	The cooling process cools the laundry for a few minutes while the drum is rotating, in order to avoid damage to the laundry. The cooling process can be cancelled by opening the door. Note: Do not change the set programme.
	The automatic self-cleaning function rinses the appliance's heat exchanger. Note: Do not remove the condensation container and do not interrupt the programme.
	Drying Programme status
	Dryness level: Iron Dry Programme status
	Dryness level: Cupboard Dry Programme status
	Crease-reduction function Programme status
-P-	Pause Programme status
-0-	Program end Programme status
¹ Example	

7 Buttons

Below is an overview of the buttons and their setting options.

Button	Selection	Description
Start/  Pause	<ul style="list-style-type: none"> ■ Start ■ Cancel ■ Pause 	Start, cancel or pause the programme.
 (mains switch)	<ul style="list-style-type: none"> ■ Switch on ■ Switch off 	Switch the appliance on or off.
Child Lock push 3 sec. 	<ul style="list-style-type: none"> ■ Activate ■ Deactivate 	<p>Activate or deactivate the childproof lock.</p> <p>Disable the control panel to prevent unwanted or accidental operation.</p> <p>If the childproof lock is activated and the appliance has been switched off, the childproof lock remains activated.</p> <p>→ "Childproof lock", Page 31</p>
Drying Target 	<ul style="list-style-type: none"> ■  ■  ■  	<p>The dryness level defines how damp or dry the laundry is after the programme ends.</p> <p>→ "Dryness level", Page 31</p>
Drying Level 	<ul style="list-style-type: none"> ■  ■  ■  	<p>Adjust the dryness level.</p> <p>If the laundry feels too damp after it has been dried to a particular dryness level, you can adjust the dryness level.</p> <p>→ "Adjusting the dryness level", Page 31</p>
Easy Iron 60' 	<ul style="list-style-type: none"> ■ Activate ■ Deactivate 	<p>Activate or deactivate the crease-reduction function.</p> <p>Once the programme has ended, the drum moves the laundry at regular intervals for 60 minutes to prevent creasing.</p>

Button	Selection	Description
Easy Iron 120' ☺	<ul style="list-style-type: none"> ■ Activate ■ Deactivate 	<p>Activate or deactivate the crease-reduction function.</p> <p>Once the programme has ended, the drum moves the laundry at regular intervals for 120 minutes to prevent creasing.</p>
Low Heat 🌀	<ul style="list-style-type: none"> ■ Activate ■ Deactivate 	<p>Activate or deactivate gentle drying.</p> <p>The temperature is reduced for delicate fabrics, e.g. polyacrylic or elastane.</p> <p>The programme duration is extended.</p>
— Finished in ⌚ +	<ul style="list-style-type: none"> ■ Programme end time ■ Programme duration 	<ul style="list-style-type: none"> ■ Set the programme end time. The programme duration is already included in the set number of hours. Once the programme has started, the programme duration is displayed. ■ Set the programme duration for timed programmes. → <i>"Timed programmes"</i>, Page 24
End Signal 🔔)	<ul style="list-style-type: none"> ■ Activate ■ Deactivate 	<p>Activate or deactivate operating signals and information signals.</p>

8 Programmes

You can dry your fabrics using either an automatic programme or a timed programme.







8.1 Automatic programmes






Automatic programmes are programmes in which humidity sensors measure the residual moisture in the laundry during the drying cycle. The programme only ends once the set dryness level is reached.

Each automatic programme has a dryness level → *Page 31*. The dryness level defines how dry or damp the laundry is after the programme ends.

Tips

- Select the dryness level according to the type of fabric or the desired drying result.
→ *"Dryness level", Page 31*
- The laundry's care labels provide you with additional information about programme selection.


Programme	Description	Max. load (kg)
Cottons 	Dry hard-wearing, heat-resistant fabrics made of cotton or linen.	8.0
Easy Care 	Dry items made of synthetic materials or blended fabrics.	3.5
Mixed 	Dry items made of cotton and synthetics.	3.0
 Quilt/Duvet	Dry clothing, pillows, quilts or bedspreads filled with synthetic fibres. Note: Dry large items of laundry, blankets or pillows individually.	2.5
Delicates 	Dry delicate items made of satin, synthetics or blended fabrics.	2.0
 Down Wear	Dry clothing, bedspreads or eiderdowns stuffed with down. Notes <ul style="list-style-type: none"> ■ Dry large items of laundry, such as blankets or sleeping bags, separately. ■ Once the programme has ended, shake the items of laundry to distribute the stuffing and eliminate any pockets of moisture. 	1.5

Programme	Description	Max. load (kg)
	<ul style="list-style-type: none"> If you dry the pillows and the pillows are not completely dry at the end of the programme, dry the pillows with a timed programme. → "Timed programmes", Page 24 	
 AllergyPlus	Dry hard-wearing, heat-resistant fabrics made of cotton or linen. Note: Particularly suitable for strict hygiene requirements.	4.0
 Sportswear	Dry self-drying sportswear made of performance fibres, microfibres and synthetics.	1.5
 Shirts/Blouses	Suitable for shirts and blouses made of cotton, linen, synthetics or blended fabrics. Note: For optimal drying results, dry a maximum of 5 shirts or 5 blouses at the same time. Once the laundry is dry, iron it or hang it up. The residual moisture is then distributed evenly.	1.5
 Super 40'	Dry items made of synthetics and light cotton.	2.0
 Towels	Dry hard-wearing, heat-resistant towels and dressing gowns made of cotton or linen.	6.0

8.2 Timed programmes

Timed programmes are programmes with a defined or adjustable programme duration. The programme ends once this time has elapsed, even if the laundry is still not dry, for example. Timed programmes are suitable for drying individual items of laundry or thin fabrics.

Tip: The laundry's care labels provide you with additional information about programme selection.

Programme	Description	Max. load (kg)
Wool Finish 	Dry machine-washable items made of wool or containing wool. Note: The laundry becomes fluffier but not dry.	0.5

Programme	Description	Max. load (kg)
	Remove laundry once the programme has ended and allow it to dry.	
Timed Program Cold ⊖	Fluff/loosen all fabric types except for wool and silk. This programme is suitable for fluffing dry laundry only. Also suitable for freshening up or airing dry clothing that has hardly been worn.	3.0
Timed Program Warm ⊖	Dry all types of fabric except for wool and silk. Suitable for pre-dried or slightly damp laundry and for drying off multi-layered, thick laundry.	3.0

9 Accessories

Use original accessories. These have been made especially for your appliance.

Note: Some accessories are available in other colours. Contact → "Customer Service", Page 45.

	Use	Order number
Connection kit	To save space, stack the appliance on a suitable washing machine of the same width and depth and that is from the same manufacturer.	WTZ27410
Connection kit with pull-out worktop	To save space, stack the appliance on a suitable washing machine of the same width and depth and that is from the same manufacturer. The pull-out worktop makes it easier to load and unload the appliance.	WTZ27400
Y-distributor	Connect the water drain hose of an additional appliance to the same siphon outlet.	15000490
Appliance care product	Spare part for the intensive appliance care function.	00311829

10 Laundry

10.1 Preparing the laundry

ATTENTION!

Objects remaining in the laundry may damage the laundry and the drum.

- ▶ Remove all items from any pockets in your laundry before using the appliance.

Note

The appliance and fabrics are protected when you prepare your laundry.

- Brush off sand and soil
- Sort the laundry according to colour and textiles and observe the care labels
- Close all zips, hook and loop fasteners, hooks and eyes

- Remove curtain fittings and lead strips
- Load the laundry unfolded into the drum
- Spin the laundry before drying

11 Basic operation

11.1 Switching on the appliance

Requirement: The appliance has been correctly installed and connected.

→ *"Installation and connection", Page 12*

- ▶ Press ① .

The switch-on process takes a few seconds.

Note: The lighting for the drum goes out automatically.

11.2 Setting a programme

1. Turn the programme selector and set the required programme.
→ *"Programmes", Page 23*
2. If required, adjust the programme settings.
→ *"Adjusting the programme settings", Page 27*

11.3 Adjusting the programme settings

Depending on the programme and programme progress, you can adjust or activate/deactivate the settings.

Requirement: A programme is set.
→ *"Setting a programme", Page 27*

- ▶ Adjust the programme settings.
→ *"Buttons", Page 21*

Note: The programme settings are not saved permanently for the programme.

11.4 Loading laundry

Note: To prevent creasing, note the maximum load for the programmes.
→ *"Programmes", Page 23*

Requirements

- The laundry is prepared and sorted.
→ *"Laundry", Page 26*
 - The drum is empty.
1. Open the door.
 2. Place the laundry in the drum.
 3. Close the door.
Ensure that there is no laundry trapped in the door.

11.5 Starting the programme

Requirement: A programme is set.
→ *"Setting a programme", Page 27*

- ▶ Press **Start/▷|||Pause** .
- ✓ The display shows the programme duration or the programme end time.
- ✓ After the programme has ended, the display shows: "-0-" .

Note: If "Hot" appears, the appliance cools the laundry. When "Hot" goes out, the laundry has cooled down.

11.6 Adding laundry

After the programme starts, you can remove or add laundry at any time.

1. Press **Start/▷|||Pause** .
The cooling process starts automatically after approximately 30 seconds and cools down the laundry while the drum is rotating. If

en Basic operation

you want to avoid or cancel the cooling process, open the door.
→ "Display", Page 20

2. Open the door.
3. Add or remove laundry.
4. Close the door.
5. Press **Start/ ▷ Pause** .

11.7 Cancelling the programme

1. Press **Start/ ▷ Pause** .
2. Open the door.
3. Remove the laundry.
→ "Unloading the laundry", Page 28

11.8 Unloading the laundry

1. Open the door.
2. Remove the laundry from the drum.

11.9 Switching off the appliance

- ▶ Press ① .

11.10 Fluff filter


During drying, fluff from the laundry is collected in the fluff filter. The fluff filter protects the appliance from fluff.

Cleaning the fluff filter

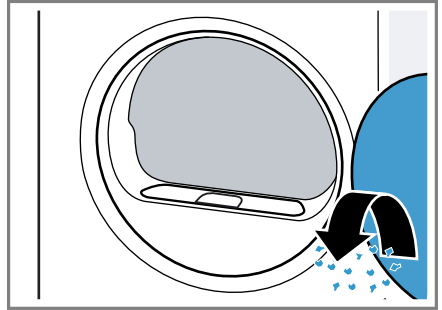
If the drying programme has finished or the display shows a notification while the appliance is in operation, clean the fluff filter.

Note: If you do not clean the appliance as described, the appliance's functionality may be impaired.

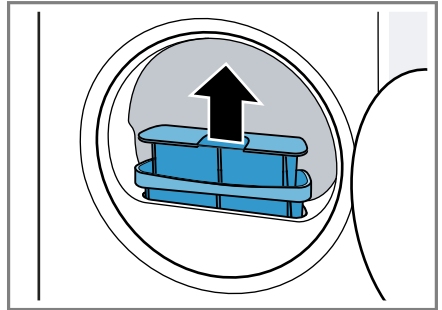
Requirements

- The display shows the following after drying: "-0-"
- or the display shows the following during operation:  .

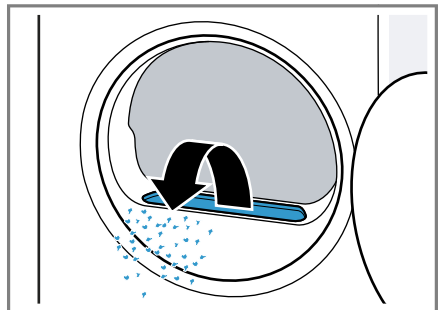
1. Open the door.
2. Remove the fluff from the door.



3. Remove the two-part fluff filter.

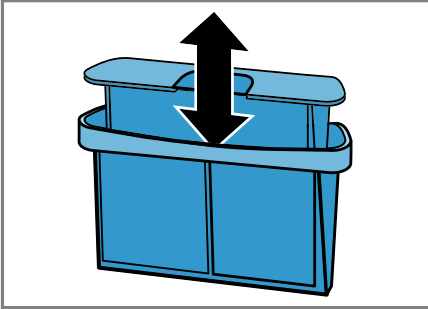


4. Remove the fluff from the recess.

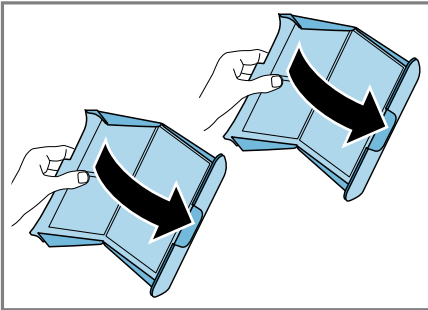


Ensure that no fluff falls into the air channel.

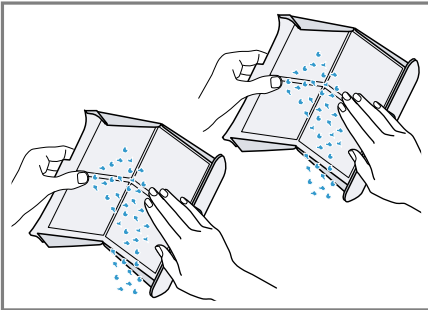
5. Disconnect the two-part fluff filter.



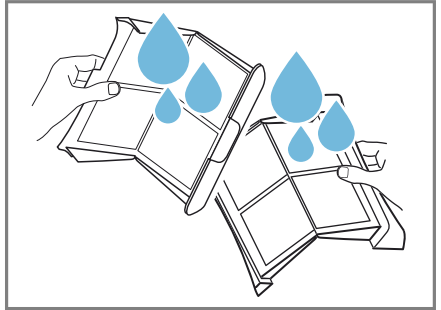
6. Open the two fluff filters.



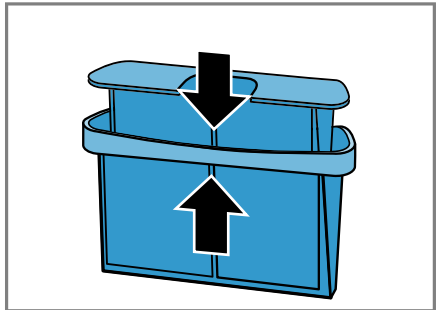
7. Remove the fluff.



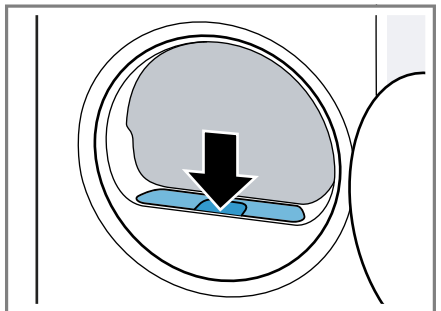
8. Clean the two fluff filters thoroughly under warm, running water and then dry them off.



9. Close the two fluff filters and put them together.



10. Insert the two-part fluff filter.



11. Close the door.

11.11 Condensation container

Condensation that forms in the appliance as it dries the laundry is collected by default in the condensation container.


Note: Operate this appliance using the water outlet hose provided.
→ "Connecting the water drain hose", Page 14

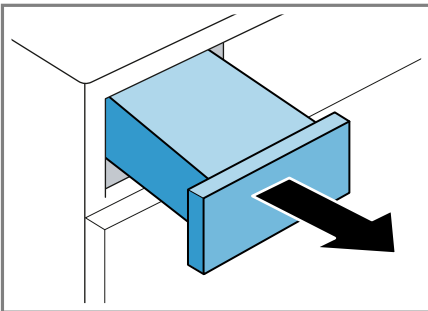
If you connect the water outlet hose, you do not have to regularly empty the condensation container.
→ "Emptying the condensation container", Page 30

Emptying the condensation container

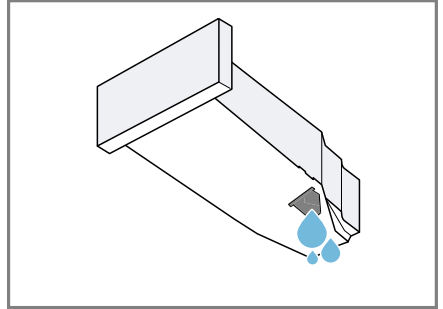
If the drying programme has finished or the display shows a notification while the appliance is in operation, empty the condensation container.

Requirements

- The display shows the following after drying: "-0-"
 - or the display shows the following during operation: 
1. Pull out the condensation container, keeping it level.



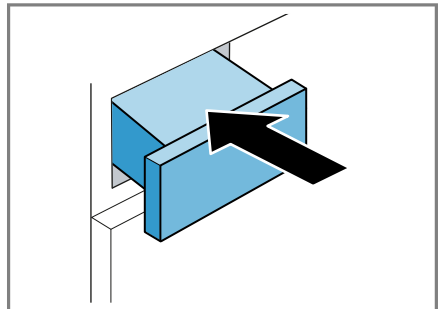
2. Empty the condensation container.



Check the condensation container filter → Page 37 regularly and clean the filter if it is dirty.
Make sure that you insert the condensation container before operating the appliance.
→ "Inserting the condensation container", Page 30



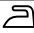
Inserting the condensation container

- ▶ Push the condensation container in as far as it will go.



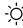



12 Dryness level

Each automatic programme has a specified dryness level. The dryness level defines how dry or damp your laundry is after the programme ends.

Dryness level	Description
	For multi-layered, thick laundry that does not dry readily.
	For normal, single-layered laundry.
	For normal, single-layered laundry. The laundry is still slightly damp after the programme ends. To prevent creasing after drying, iron the laundry or hang it up.





12.1 Changing the dryness level

For some automatic programmes, you can change the dryness level so that your laundry will be drier or more damp.

1. Set an automatic programme.
→ *Page 23*
- ✓ The display shows the specified dryness level.
2. Press **Drying Target** .
- ✓ The display shows ,  or .

12.2 Adjusting the dryness level


If the laundry feels too damp after it has been dried to a particular dryness level, you can adjust the dryness level.

1. Set an automatic programme.
→ *Page 23*
- ✓ The display shows the specified dryness level.
2. Press **Drying Level** .
- ✓ The display shows ,  or .

13 Childproof lock

Secure your appliance against being operated unintentionally using the controls.

13.1 Activating the childproof lock

- ▶ Press on both **Child Lock push 3 sec.**  buttons for approx. three seconds.
- ✓ The control elements are locked.
- ✓ The childproof lock remains active even after the appliance has been switched off and in the event of a power cut.

13.2 Deactivating the childproof lock

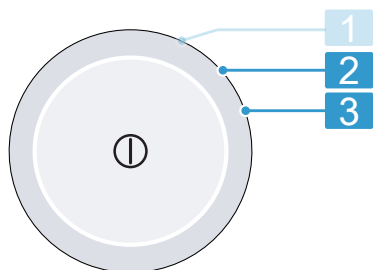
Requirement: To deactivate the childproof lock, the appliance must be switched on.

- ▶ Press on both **Child Lock push 3 sec.**  buttons for approx. three seconds.

14 Basic settings

You can configure the basic settings for your appliance to meet your needs.

14.1 Overview of the basic settings



Programme selector with programme positions

2 Set the volume of the signal at the end of the programme: 0 (off) to 4 (very loud)

3 Set the volume of the signal tone emitted when the buttons are pressed: 0 (off) to 4 (very loud)

14.2 Changing the basic settings

1. Set the programme selector to position 1. → *Page 32*
2. Press **Drying Target** ☀ and, at the same time, turn the programme selector to position 2.
 - ✓ The display shows the current value.
3. Use the programme selector to select the required basic setting. → *Page 32*
4. To change the value, press **- +**.

5. To save the changes, switch off the appliance.

15 Appliance care

The appliance offers cleaning programmes for basic and intensive appliance care.

15.1 Preparing for appliance care

Preparing the appliance for the appliance care programme

Prepare the appliance before running the appliance care programme.

Requirements

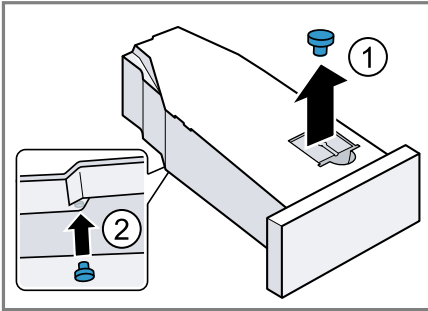
- The drum is empty.
- The appliance is switched off.

1. Clean the fluff filter → *Page 28*.
2. Pull out the condensation container horizontally and empty it. → *Page 30*

Preparing the condensation container for the appliance care programme

If you drain the condensation from the appliance using the drain hose, prepare the condensation container before running the appliance care programme.

1. Remove the stopper from the recess in the top ① and insert it in the underside ②.



2. Clean the filter in the condensation container.

15.2 Calling up the appliance care programme

Note: The appliance care programme can only be called up for a few seconds after starting the appliance.

Requirement: The appliance care programme is ready. → Page 32

1. Press ①.
The switch-on process takes a few seconds.
 2. Set the programme to position 1.
 3. Press and hold **Drying Target** ☀ and set the programme to position 4.
 4. Release **Drying Target** ☀.
- ✓ "CP1" and the programme duration alternate on the display.

15.3 Running the basic appliance care programme

To remove light dirt deposits in the appliance, you can run the basic appliance care programme.

Notes

- The basic appliance care programme runs for approximately 1 hour.
- After a lengthy period of use, the appliance reminds you to run the basic appliance care programme. Before the programme starts or after the programme has ended, the display shows the notification "CrE". This notification appears repeatedly until you have run the basic appliance care programme through to the end.

Requirements

- The appliance care programme is ready. → Page 32
 - The appliance care programme is called up. → Page 33
1. Pour approx. 1.5 litres of hot mains water into the condensation container.
Hold the filled condensation container level so that no liquid spills out.
 2. Insert the condensation container so that it locks into place.
 3. Press **Start/▷Pause**.
- ✓ The appliance care programme starts and a signal tone sounds.
 - ✓ "-0-" appears on the display and a signal tone sounds once the appliance care programme has ended.
4. Pull out the condensation container horizontally and empty it.
 5. If you drain the condensation using the drain hose, remove the stopper from the underside of the condens-

ation container and insert it into the recess in the top of the condensation container. → *Page 32*

6. Insert the condensation container so that it locks into place.
7. Switch off the appliance.
→ *Page 28*

15.4 Running the intensive appliance care programme

You can run the intensive appliance care programme to remove any stubborn dirt deposits in the appliance and odours after a downtime of more than one month.

Notes

- The intensive appliance care programme runs for approximately 4 hours and must not be cancelled.
- When you run the intensive appliance care programme, you need the original appliance care product
→ *Page 26*.

Starting the intensive appliance care programme

Requirements

- The appliance care programme is ready. → *Page 32*
 - The appliance care programme is called up. → *Page 33*
1. Press **+**.
✓ "CP2" and the programme duration alternate on the display.
 2. Pour a bottle of the appliance care product and approx. 1.5 litres of hot mains water into the condensation container.
Hold the filled condensation container level so that no liquid spills out.
 3. Insert the condensation container so that it locks into place.
 4. Press **Start/ ▷ Pause** .

- ✓ The appliance care programme starts and a signal tone sounds.
 - ✓ After around 3 hours, the appliance pauses the appliance care programme and the remaining programme duration flashes on the display.
5. Pull out the condensation container horizontally and empty it.
 6. Pour approx. 1.5 litres of hot mains water into the condensation container.
 7. Carefully swivel the condensation container horizontally and empty it to rinse out any remaining appliance care product.

Continuing the intensive appliance care programme

1. Pour approx. 1.5 litres of hot mains water into the condensation container.
Hold the filled condensation container level so that no liquid spills out.
2. Insert the condensation container so that it locks into place.
3. Press **Start/ ▷ Pause** .
✓ The appliance care programme continues.
✓ "-0-" appears on the display and a signal tone sounds once the appliance care programme has ended.
4. Pull out the condensation container horizontally and empty it.
5. If you drain the condensation using the drain hose, remove the stopper from the underside of the condensation container and insert it into the recess in the top of the condensation container. → *Page 32*
6. Insert the condensation container so that it locks into place.
7. Switch off the appliance.
→ *Page 28*

16 Cleaning and servicing

To keep your appliance working efficiently for a long time, it is important to clean and maintain it carefully.

16.1 Tips on cleaning and care

Wipe down the housing and the controls with nothing but water and a damp cloth.	This ensures the parts of the appliance will remain clean and hygienic.
Remove all detergent residue, spray residue or other residues immediately.	Fresh deposits are easier to remove without leaving any residue.
Leave the appliance door open after use.	This allows the residual water to dry, reducing odours in the appliance.

16.2 Base unit

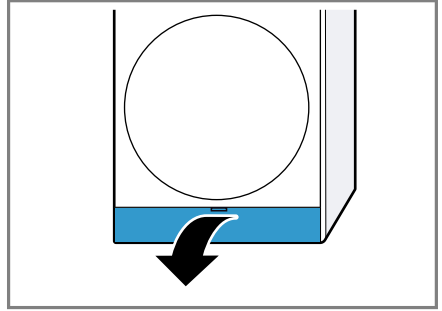
The base unit is the accessible area at the bottom of the appliance in which you will find the heat exchanger.

Opening the base unit

Requirements

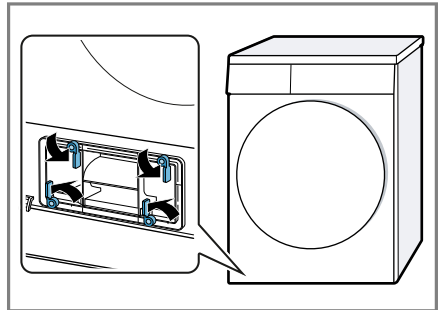
- The appliance has cooled down for 30 minutes.
- The appliance door is closed.

1. Open the maintenance flap.

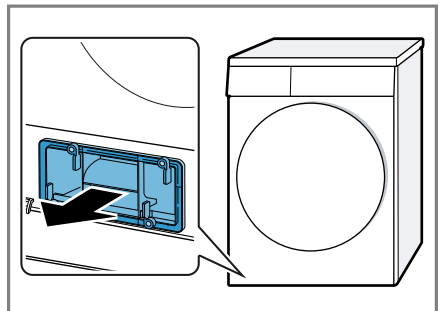


If you place a cloth beneath the maintenance flap, you can collect the remaining water from the base unit.

2. Open the lever for the heat exchanger cover.



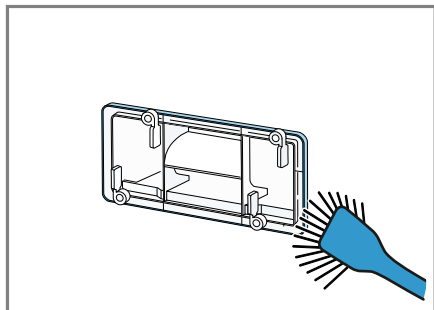
3. Pull out the heat exchanger cover by the handle.



Cleaning the base unit

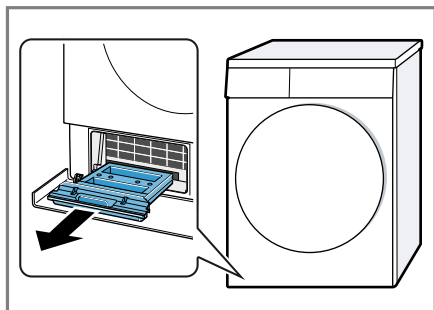
You can remove any visible dirt in the base unit.

1. Open the base unit → *Page 35*.
2. Use a soft brush to clean the heat exchanger cover.

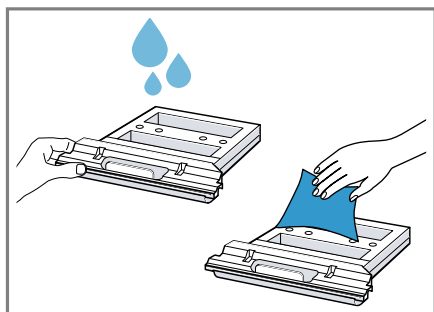


Make sure that you remove all dirt from the seal.

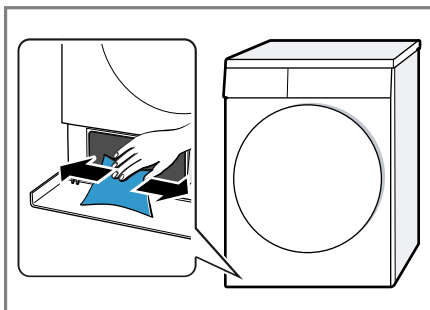
3. Pull the insert out horizontally.



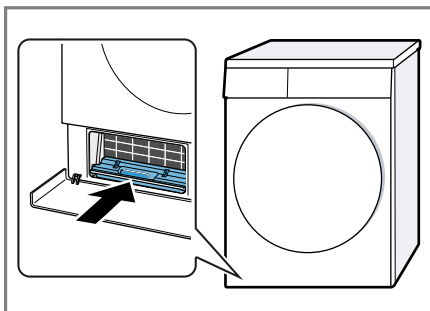
4. Clean the insert under running water and dry it off.



5. Clean the opening with a soft, damp cloth.



6. Slide the insert in horizontally as far as it will go.

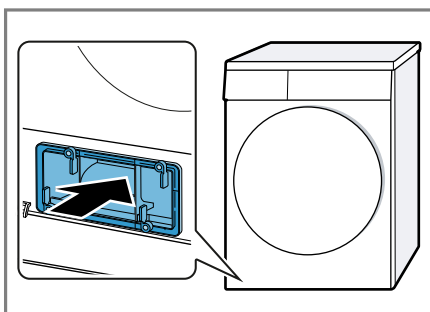


7. Close the base unit → *Page 36*.

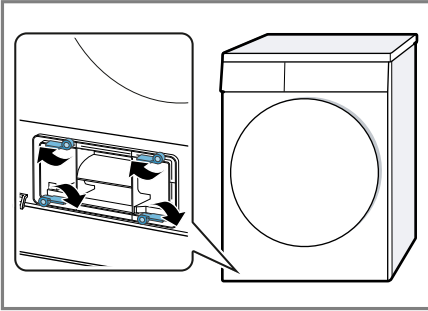
Closing the base unit

Requirement: The base unit is open.
→ "*Opening the base unit*", *Page 35*

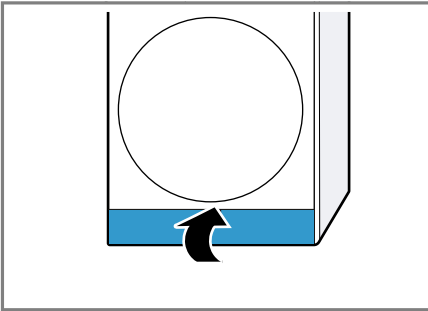
1. Insert the heat exchanger cover by the handle.



2. Close the lever for the heat exchanger.



3. Close the maintenance flap.



16.3 Moisture sensor

The moisture sensor in this appliance measures how damp the laundry is during the drying cycle. The appliance changes the duration of the automatic programme depending on the residual moisture in the laundry.

Cleaning the moisture sensor

Over time, residue from limescale, detergents and care products can build up on the moisture sensor. Clean the moisture sensor regularly.

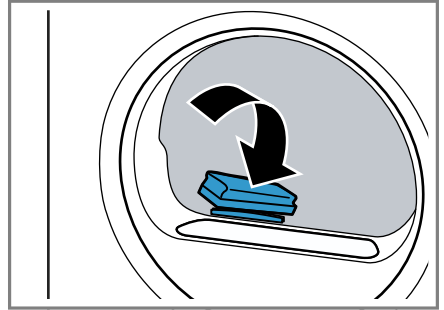
ATTENTION!

Hard or rough objects may damage the moisture sensor.

- ▶ Do not use hard or rough objects, abrasive cleaning products or steel wool for cleaning.

Note: If you do not clean the appliance as described, the appliance's functionality may be impaired.

1. Open the door.
2. Clean the moisture sensor with a sponge.



16.4 Condensation container filter

During drying, fluff from the laundry gets into the condensation. The filter in the condensation container protects the appliance from fluff.

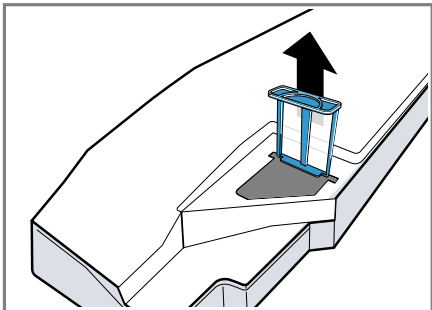
Clean the filter for the condensation tank.

The filter is cleaned automatically when the condensation container is emptied. Check the filter regularly and clean the filter if it is dirty.

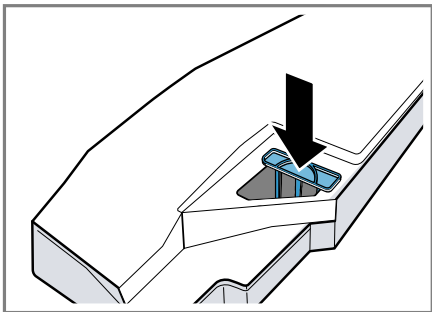
1. Empty the condensation container.
→ "Emptying the condensation container", Page 30

en Cleaning and servicing

2. Remove the filter.



3. Clean the filter under warm, running water or in the dishwasher.
4. Slide in the filter as far as it will go.



5. Insert the condensation container.
→ *"Inserting the condensation container", Page 30*

17 Troubleshooting


You can rectify minor faults on your appliance yourself. Read the troubleshooting information before contacting after-sales service. This will avoid unnecessary costs.

WARNING

Risk of electric shock!

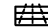
Incorrect repairs are dangerous.

- ▶ Repairs to the appliance should only be carried out by trained specialist staff.
- ▶ Only use genuine spare parts when repairing the appliance.
- ▶ If the power cord of this appliance is damaged, it must be replaced by the manufacturer, the manufacturer's Customer Service or a similarly qualified person in order to prevent any risk.

Fault	Cause and troubleshooting
"Hot" and the drum rotates.	Cooling process active. <ol style="list-style-type: none"> 1. Not a fault. 2. Do not change the programme during the cooling process. <p>Note: The cooling process takes up to 10 minutes. You can continue to operate the appliance.</p>
Humming noise.	Compressor active. <ul style="list-style-type: none"> ▶ Not a fault – normal operating noise.
The display goes out and Start/ Pause flashes.	Energy-saving mode is active <ul style="list-style-type: none"> ▶ Press any button. ✓ The display lights up again.
"CrE"	After a period of operation, the appliance automatically recommends that you run the basic appliance care programme. <ul style="list-style-type: none"> ▶ Running the basic appliance care programme on the appliance. → "Appliance care", Page 32
	Fluff filter is soiled. <ul style="list-style-type: none"> ▶ → "Cleaning the fluff filter", Page 28
The appliance is not working.	The mains plug of the power cord is not plugged in. <ul style="list-style-type: none"> ▶ Connect the appliance to the power supply.
	The circuit breaker in the fuse box has tripped. <ul style="list-style-type: none"> ▶ Check the circuit breaker in the fuse box.
	There has been a power cut. <ul style="list-style-type: none"> ▶ Check whether the lighting in your room or other appliances are working.

Fault	Cause and troubleshooting
Appliance paused, but the drum is rotating.	Cooling process active. ▶ Not a fault – no action required.
Creasing.	<p>The load is too large.</p> <p>▶ Observe the maximum load capacity of the → <i>"Programmes"</i>, Page 23.</p> <hr/> <p>The laundry lies in the drum for too long after drying.</p> <ol style="list-style-type: none"> 1. Remove the laundry from the drum as soon as the drying programme has finished. 2. Spread the items of laundry for cooling. <hr/> <p>Unsuitable programme for the type of fabric.</p> <p>▶ Set the suitable programme for the type of fabric. → <i>"Programmes"</i>, Page 23</p> <hr/> <p>Easy-Care fabrics are dried for too long.</p> <p>▶ → <i>"Changing the dryness level"</i>, Page 31. ▶ → <i>"Adjusting the dryness level"</i>, Page 31.</p> <hr/> <p>Crease-reduction function not activated.</p> <p>▶ Activate the crease-reduction function. → <i>"Buttons"</i>, Page 22 → <i>"Buttons"</i>, Page 21</p>
☰ and programme terminated.	<p>Condensation tank filled.</p> <ol style="list-style-type: none"> 1. → <i>"Emptying the condensation container"</i>, Page 30. 2. → <i>"Inserting the condensation container"</i>, Page 30. 3. → <i>"Starting the programme"</i>, Page 27. <hr/> <p>Water drain hose is caught or jammed.</p> <ol style="list-style-type: none"> 1. Ensure that the water drain hose is not kinked or trapped. 2. Route the water drain hose without kinks. <hr/> <p>Water drain hose is not connected correctly.</p> <p>▶ Ensure that the water drain hose is connected correctly. → <i>"Connecting the water drain hose"</i>, Page 14</p> <hr/> <p>Water drain hose is blocked.</p> <p>▶ Rinse the water drain hose with tap water.</p> <hr/> <p>The filter for the condensation tank is soiled.</p> <p>▶ → <i>"Clean the filter for the condensation tank."</i>, Page 37.</p>
	<p>Foreign object is located in the base unit</p> <ol style="list-style-type: none"> 1. → <i>"Opening the base unit"</i>, Page 35. 2. Remove the foreign objects that are present.

Fault	Cause and troubleshooting
☰ and programme terminated.	<p>3. → <i>"Closing the base unit", Page 36.</i></p> <hr/> <p>Dirt in the appliance.</p> <ul style="list-style-type: none"> ▶ Run the intensive appliance care programme. → <i>"Appliance care", Page 32</i>
Condensation in the condensation tank even though the water drain hose is connected.	<p>The remaining volume of condensation may remain in the condensation container.</p> <ul style="list-style-type: none"> ▶ Not a fault – no action required. <hr/> <p>Water drain hose is not connected correctly.</p> <ul style="list-style-type: none"> ▶ Ensure that the water drain hose is connected correctly. → <i>"Connecting the water drain hose", Page 14</i>
The programme does not start.	<p>Childproof lock is activated.</p> <ul style="list-style-type: none"> ▶ Deactivate childproof lock. → <i>"Deactivating the childproof lock", Page 31</i> <hr/> <p>Start/▷ Pause has not been pressed.</p> <ul style="list-style-type: none"> ▶ Press Start/▷ Pause . <hr/> <p>No programme set.</p> <ol style="list-style-type: none"> 1. → <i>"Setting a programme", Page 27.</i> 2. → <i>"Starting the programme", Page 27.</i>
The length of the programme changes during the drying cycle.	<p>The programme operation is optimised electronically. This may change the programme duration.</p> <ul style="list-style-type: none"> ▶ Not a fault – no action required.
Pumping noise.	<p>Condensation pump active.</p> <ul style="list-style-type: none"> ▶ Not a fault – normal operating noise.
Buzzing noise.	<p>Compressor ventilation active.</p> <ul style="list-style-type: none"> ▶ Not a fault – normal operating noise.
The drying time is too long.	<p>Fluff filter is soiled.</p> <ul style="list-style-type: none"> ▶ → <i>"Cleaning the fluff filter", Page 28</i> <hr/> <p>The ambient temperature is greater than 30 °C.</p> <ul style="list-style-type: none"> ▶ Ensure that the ambient temperature is below 30 °C. <hr/> <p>The ambient temperature is lower than 15 °C.</p> <ul style="list-style-type: none"> ▶ Ensure that the ambient temperature is above 15 °C. <hr/> <p>Insufficient air circulation at the appliance's installation location.</p> <ul style="list-style-type: none"> ▶ Ventilate the appliance's installation location. <hr/> <p>Insufficient condensation for the automatic self-cleaning when permanently drying small loads of laundry.</p>

Fault	Cause and troubleshooting
The drying time is too long.	<ul style="list-style-type: none"> ▶ Regularly dry a load weighing more than 3 kg of damp laundry until the programme ends.
	<p>Insufficient condensation for the automatic self-cleaning when permanently using the crease-removal function.</p>
	<ul style="list-style-type: none"> ▶ Regularly dry a load weighing more than 3 kg of damp laundry until the programme ends.
	<p>The appliance's ventilation opening is blocked.</p> <ul style="list-style-type: none"> ▶ Ensure that the ventilation opening of the appliance is kept clear.
	<p>Heat exchanger is soiled.</p> <ul style="list-style-type: none"> ▶ Running the basic appliance care programme on the appliance. → <i>"Appliance care", Page 32</i>
	<p>Automatic self-cleaning function rinses the appliance's heat exchanger.</p> <ol style="list-style-type: none"> 1. Not a fault. 2. Do not pull out the condensation tank. 3. Do not cancel the programme.
Water is leaking from the appliance.	<p>Appliance is not correctly aligned.</p> <ul style="list-style-type: none"> ▶ → <i>"Aligning the appliance", Page 16</i>
	<p>The seal for the heat exchanger cover is dirty.</p> <ul style="list-style-type: none"> ▶ Clean the seal for the heat exchanger cover. → <i>"Cleaning the base unit", Page 36</i>
	<p>Water drain hose is not connected correctly.</p> <ul style="list-style-type: none"> ▶ Ensure that the water drain hose is connected correctly. → <i>"Connecting the water drain hose", Page 14</i>
	<p>The lever for the heat exchanger cover is not closed correctly.</p> <ul style="list-style-type: none"> ▶ Ensure that the lever for the heat exchanger cover is closed correctly. → <i>"Closing the base unit", Page 36</i>
The laundry is too damp.	<p>Unsuitable programme for the type of fabric.</p> <ul style="list-style-type: none"> ▶ Set a timed programme for the subsequent drying. → <i>"Programmes", Page 23</i>
	<p>There has been a power cut.</p> <ul style="list-style-type: none"> ▶ Check whether the lighting in your room or other appliances are working.
	<p>The load is too large.</p>

Fault	Cause and troubleshooting
The laundry is too damp.	<ul style="list-style-type: none"> ▶ Observe the maximum load capacity of the → <i>"Programmes", Page 23.</i>
	<p>After the end of the programme, warm laundry feels damper than it actually is.</p>
	<ol style="list-style-type: none"> 1. Remove the laundry from the drum as soon as the drying programme has finished. 2. Spread the items of laundry for cooling.
	<p>Unsuitable dryness level set.</p> <ul style="list-style-type: none"> ▶ → <i>"Changing the dryness level", Page 31.</i>
	<p>Drying target not adjusted.</p> <ul style="list-style-type: none"> ▶ → <i>"Adjusting the dryness level", Page 31.</i>
	<p>Load too small.</p> <ul style="list-style-type: none"> ▶ Set a timed programme for the subsequent drying. → <i>"Programmes", Page 23</i>
	<p>Moisture sensor dirty.</p> <ul style="list-style-type: none"> ▶ → <i>"Cleaning the moisture sensor", Page 37.</i>
	<p>The drying process is interrupted and the condensation tank has been filled.</p>
	<ol style="list-style-type: none"> 1. → <i>"Emptying the condensation container", Page 30.</i> 2. → <i>"Inserting the condensation container", Page 30.</i> 3. → <i>"Starting the programme", Page 27.</i>
Odours have formed in the appliance.	<p>Stubborn dirt in the appliance or an extended appliance downtime of more than one month.</p> <ul style="list-style-type: none"> ▶ Run the intensive appliance care programme. → <i>"Appliance care", Page 32</i>

18 Transportation, storage and disposal

18.1 Preparing the appliance for transportation

ATTENTION!

If the appliance is operated immediately after transportation, the refrigerant contained in the appliance may result in damage to the appliance.

- ▶ Immediately after transporting the appliance, leave it to rest for two hours before putting it into operation.

Tip: The appliance may contain residual water, which may drip out of it when transported. The appliance should be transported upright.

Requirements

- The condensation container is emptied. Emptying the condensation container → *Page 30*
 - The appliance has been switched on.
→ *"Switching on the appliance", Page 27*
1. Set any programme → *Page 27*.
 2. Start the programme → *Page 27* and wait 5 minutes.
 - ✓ The condensation is drained.
 3. Switch off the appliance.
→ *"Switching off the appliance", Page 28*
 4. Remove the water drain hose from the connection point.
→ *"Water outlet connection types", Page 15*
 5. Secure the water drain hose on the appliance against unintentional loosening.
Ensure that you do not bend the water drain hose.

6. Empty the condensation container
→ *Page 30*.
7. Insert the condensation container
→ *Page 30*.
8. Disconnect the appliance's mains plug from the power supply.
 - ✓ The appliance is now ready to be transported.

18.2 Disposing of old appliance

Valuable raw materials can be re-used by recycling.

WARNING **Risk of harm to health!**

Children can lock themselves in the appliance, thereby putting their lives at risk.

- ▶ Do not install the appliance behind a door as this may obstruct the appliance door or prevent it from opening.
- ▶ With redundant appliances, unplug the power cord. Then cut through the cord and damage the lock on the appliance door beyond repair so that the appliance door will no longer close.

WARNING **Risk of fire!**

The refrigerant R290 used in this appliance is environmentally friendly. It is however flammable and may ignite if appliances are not disposed of properly.

- ▶ Dispose of the appliance properly.
 - ▶ Do not damage the tubing of the refrigerant circuit.
1. Unplug the appliance from the mains.
 2. Cut through the power cord.
 3. Dispose of the appliance in an environmentally friendly manner.

Information about current disposal methods are available from your specialist dealer or local authority.



This appliance is labelled in accordance with European Directive 2012/19/EU concerning used electrical and electronic appliances (waste electrical and electronic equipment - WEEE). The guideline determines the framework for the return and recycling of used appliances as applicable throughout the EU.

- On the rear of the appliance.

Make a note of your appliance's details and the Customer Service telephone number to find them again quickly.

19 Customer Service

Detailed information on the warranty period and terms of warranty in your country is available from our after-sales service, your retailer or on our website.

If you contact Customer Service, you will require the product number (E-Nr.) and the production number (FD) of your appliance.

The contact details for Customer Service can be found in the enclosed Customer Service directory or on our website.

19.1 Product number (E-Nr.) and production number (FD)

You can find the product number (E-Nr.) and the production number (FD) on the appliance's rating plate.

Depending on the model, the rating plate is located:

- On the inside of the door.
- On the inside of the maintenance flap.

















20 Consumption values

The specified values are indicative only and were determined in accordance with the applicable standard IEC61121.

The actual values may deviate from the indicated values depending on the type of fabric, composition of laundry to be dried, residual moisture in the fabric, set degree of dryness,


amount of laundry being loaded, environmental conditions and the activation of additional functions.

The expected programme duration/"Ready in" time that is shown in the appliance display when selecting the programme is based on the spin speed in the washing machine of 1000 rpm when the appliance is delivered.

Programme	Final moisture level (%)	Load (kg)	Spin speed (rpm)	Initial moisture level (%)	Programme duration (h:min)	Energy consumption (kWh/cycle)
Cottons  + 	0.0	8.0	1400	50	2:52	1.22
Cottons  + 	0.0	8.0	1000	60	3:12	1.44
Cottons  + 	0.0	8.0	800	70	3:32	1.66
Cottons  + 	0.1	8.0	1400	50	2:12	0.88
Cottons  + 	0.1	8.0	1000	60	2:32	1.10
Cottons  + 	0.1	8.0	800	70	2:52	1.32
Easy Care  + 	2.0	3.5	600	40	1:17	0.44
Easy Care  + 	2.0	3.5	800	50	1:27	0.53

21 Technical data

Appliance height	84.2 cm
Appliance width	59.8 cm
Appliance depth	61.3 cm
Appliance depth with door closed	66.5 cm
Appliance depth with door open	110.5 cm
Weight	55.5 kg
Maximum load	8.0 kg
Mains voltage	220-240 V, 50 Hz

 Minimum installation protection	10 A
Nominal power	600 W
Ambient temperature	<ul style="list-style-type: none"> ■ Minimum: 5 °C ■ Maximum: 35 °C
Length of the power cord	145 cm



Thank you for buying a Bosch Home Appliance!

Register your new device on MyBosch now and profit directly from:

- **Expert tips & tricks for your appliance**
- **Warranty extension options**
- **Discounts for accessories & spare-parts**
- **Digital manual and all appliance data at hand**
- **Easy access to Bosch Home Appliances Service**

Free and easy registration – also on mobile phones:

www.bosch-home.com/welcome



Looking for help? You'll find it here.

Expert advice for your Bosch home appliances, help with problems or a repair from Bosch experts.

Find out everything about the many ways Bosch can support you:

www.bosch-home.com/service

Contact data of all countries are listed in the attached service directory.

BSH Hausgeräte GmbH

Carl-Wery-Straße 34
81739 München, GERMANY
www.bosch-home.com

A Bosch Company



9001786564 (031219)

en