



**BOSCH**



Register your  
new device on  
MyBosch now and  
get free benefits:  
[bosch-home.com/  
welcome](https://bosch-home.com/welcome)

# Extractor hood

**DWB068G50I DWB098G50I DWB068G60I DWB098G60I DIB098G50I  
DIB128G50I,**

**[en]** User manual and installation  
instructions

## Table of contents

<b>1 Safety</b> .....	<b>3</b>		
1.1 General information.....	3	8.6 Cleaning grease filters in the dishwasher .....	13
1.2 Intended use.....	3	8.7 Fitting grease filters .....	14
1.3 Restriction on user group.....	3	8.8 Changing odour filter .....	14
1.4 Safe use .....	4		
<b>2 Preventing material damage</b> .....	<b>8</b>		
2.1 Avoiding material damage .....	8	<b>9 Troubleshooting</b> .....	<b>15</b>
		9.1 Replacing the LED lights for DWB068G50I, DW- B098G50I, DWB068G60I and DWB098G60I.....	16
<b>3 Environmental protection and saving energy</b> .....	<b>8</b>	9.2 Replacing defective LED lights for DIB098G50I, DIB128G50I and DIG098G50I.....	16
3.1 Disposing of packaging .....	8		
3.2 Saving energy.....	8	<b>10 Disposal</b> .....	<b>18</b>
<b>4 Operating modes</b> .....	<b>9</b>	10.1 Disposing of old appliance ...	18
4.1 Air extraction mode .....	9	10.2 Disposing of batteries .....	19
4.2 Air recirculation mode .....	9		
<b>5 Familiarising yourself with your appliance</b> .....	<b>10</b>	<b>11 Customer Service</b> .....	<b>19</b>
5.1 Control panel.....	10	11.1 Product number (E-Nr.) and production number (FD).....	19
<b>6 Accessories</b> .....	<b>10</b>		
6.1 Special Accessories.....	10	<b>12 Installation instructions</b> .....	<b>19</b>
<b>7 Basic operation</b> .....	<b>11</b>	12.1 Included with the appliance ..	19
7.1 Switching on the appliance .....	11	12.2 Appliance dimensions.....	20
7.2 Switching off the appliance .....	11	12.3 Safety clearances .....	20
7.3 Choosing the fan setting .....	11	12.4 Secure installation .....	21
7.4 Switching on intensive mode ..	11	12.5 General information.....	25
7.5 Switching off intensive mode ..	11	12.6 Instructions for the exhaust air pipe .....	25
7.6 Switching on the fan run-on ...	11	12.7 Instructions for the air ex- traction mode .....	25
7.7 Switching off the fan run-on ...	11	12.8 Information about circulat- ing-air mode .....	25
7.8 Switching on the lighting .....	11	12.9 Instructions for the elec- trical connection .....	25
7.9 Switching off the lighting .....	11	12.10 Installation .....	26
<b>8 Cleaning and servicing</b> .....	<b>12</b>		
8.1 Cleaning products.....	12		
8.2 Cleaning the appliance .....	12		
8.3 Cleaning controls .....	13		
8.4 Removing the grease filter .....	13		
8.5 Cleaning grease filters manually .....	13		



# 1 Safety

Observe the following safety instructions.

## 1.1 General information

- Read this instruction manual carefully.
- Keep the instruction manual and the product information safe for future reference or for the next owner.
- Do not connect the appliance if it has been damaged in transit.

## 1.2 Intended use

The appliance can only be used safely if it is correctly installed according to the safety instructions. The installer is responsible for ensuring that the appliance works perfectly at its installation location.

Only use this appliance:

- For extracting cooking vapour.
- in private households and in enclosed spaces in a domestic environment.
- up to an altitude of max. 2000 m above sea level.

Do not use the appliance:

- With an external timer.

## 1.3 Restriction on user group

This appliance may be used by children aged 8 or over and by people who have reduced physical, sensory or mental abilities or inadequate experience and/or knowledge, provided that they are supervised or have been instructed on how to use the appliance safely and have understood the resulting dangers.

Do not let children play with the appliance.

Children must not perform cleaning or user maintenance unless they are at least 15 years old and are being supervised.

Keep children under the age of 8 years away from the appliance and power cable.

## 1.4 Safe use

### **⚠ WARNING – Risk of suffocation!**

Children may put packaging material over their heads or wrap themselves up in it and suffocate.

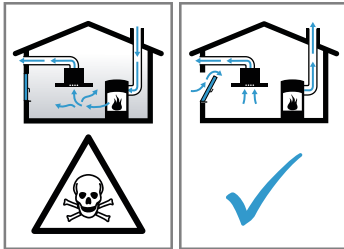
- ▶ Keep packaging material away from children.
- ▶ Do not let children play with packaging material.

Children may breathe in or swallow small parts, causing them to suffocate.

- ▶ Keep small parts away from children.
- ▶ Do not let children play with small parts.

### **⚠ WARNING – Risk of poisoning!**

Risk of poisoning from flue gases being drawn back in. Room-air-dependent heat-producing appliances (e.g. gas, oil, wood or coal-operated heaters, continuous flow heaters or water heaters) obtain combustion air from the room in which they are installed and discharge the exhaust gases into the open through an exhaust gas system (e.g. a chimney). With the extractor hood switched on, air is extracted from the kitchen and the adjacent rooms. Without an adequate supply of air, the air pressure falls below atmospheric pressure. Toxic gases from the flue or the extraction shaft are sucked back into the living space.



- ▶ Always ensure adequate fresh air in the room if the appliance is being operated in exhaust air mode at the same time as a room-air-dependent heat-producing appliance is being operated.
- ▶ It is only possible to safely operate the appliance if the pressure in the room in which the heating appliance is installed does not drop more than 4 Pa (0.04 mbar) below atmospheric pressure. This can be achieved whenever the air needed for combustion

is able to enter through openings that cannot be sealed, for example in doors, windows, incoming/exhaust air wall boxes or by other technical means. An incoming/exhaust air wall box alone does not ensure compliance with the limit.

- ▶ In any case, consult your responsible chimney sweep. They are able to assess the house's entire ventilation setup and will suggest the suitable ventilation measures to you.
- ▶ Unrestricted operation is possible if the appliance is operated exclusively in circulating-air mode.

### **⚠ WARNING – Risk of fire!**

Fatty deposits in the grease filters may catch fire.

- ▶ Never operate the appliance without a grease filter.
- ▶ Clean the grease filters regularly.
- ▶ Never work with naked flames close to the appliance (e.g. flam-béing).
- ▶ Do not install the appliance near a solid fuel heating appliance (e.g. wood- or coal-burning) unless the heating appliance has a sealed, non-removable cover. There must be no flying sparks.

Hot oil or grease ignites very quickly.

- ▶ Always supervise hot oil and fat.
- ▶ Never extinguish burning oil or fat with water. Switch off the cooking zone. Extinguish flames carefully using a lid, fire blanket or something similar.

When gas burners are in operation without any cookware placed on them, they can build up a lot of heat. A ventilation appliance installed above the cooker may become damaged or catch fire.

- ▶ Only operate the gas burners with cookware on them.

Operating multiple gas hobs at the same time generates a great deal of heat. A ventilation appliance installed above the cooker may become damaged or catch fire.

- ▶ Only operate the gas hobs with cookware on them.
- ▶ Select the highest fan setting.
- ▶ Never operate two gas hobs simultaneously on the highest flame for longer than 15 minutes. Two gas hobs correspond to one large burner.

- ▶ Never operate large burners of more than 5 kW with the highest flame for longer than 15 minutes, e.g. a wok.

**⚠ WARNING – Risk of burns!**

The accessible parts of the appliance become hot during operation.

- ▶ Never touch these hot parts.
- ▶ Keep children at a safe distance.

The appliance becomes hot during operation.

- ▶ Allow the appliance to cool down before cleaning.

**⚠ WARNING – Risk of injury!**

Components inside the appliance may have sharp edges.

- ▶ Carefully clean the appliance interior.

Items placed on the appliance may fall off.

Changes to the electrical or mechanical assembly are dangerous and may lead to malfunctions.

- ▶ Do not make any changes to the electrical or mechanical assembly.

The light emitted by LED lights is very dazzling, and can damage the eyes (risk group 1).

- ▶ Do not look directly into the switched-on LED lights for longer than 100 seconds.

**⚠ WARNING – Risk of electric shock!**

If the appliance or the power cord is damaged, this is dangerous.

- ▶ Never operate a damaged appliance.
- ▶ Never pull on the power cord to unplug the appliance. Always unplug the appliance at the mains.
- ▶ If the appliance or the power cord is damaged, immediately unplug the power cord or switch off the fuse in the fuse box.
- ▶ Call customer services. → *Page 19*

Incorrect repairs are dangerous.

- ▶ Repairs to the appliance should only be carried out by trained specialist staff.
- ▶ Only use genuine spare parts when repairing the appliance.
- ▶ If the power cord of this appliance is damaged, it must be replaced by trained specialist staff.

An ingress of moisture can cause an electric shock.

- ▶ Before cleaning, pull out the mains plug or switch off the fuse in the fuse box.
- ▶ Do not use steam- or high-pressure cleaners to clean the appliance.

** WARNING – Risk of explosion!**

Highly caustic alkaline or highly acidic cleaning agents in conjunction with aluminium parts in the interior of the appliance may cause explosions.

- ▶ Never use highly caustic alkaline or highly acidic cleaning agents. In particular, do not use commercial or industrial cleaning agents in conjunction with aluminium parts, e.g. grease filter on extractor hoods.

---

## 2 Preventing material damage

### 2.1 Avoiding material damage

#### ATTENTION!

Condensate may cause corrosion damage.

- ▶ To prevent condensation from building up, switch on the appliance during cooking.

If moisture gets into the controls, this may result in damage.

- ▶ Never clean controls with a wet cloth.

Incorrect cleaning damages the surfaces.

- ▶ Follow the cleaning instructions.
- ▶ Do not use harsh or abrasive detergents.
- ▶ Clean stainless steel surfaces in the direction of the finish only.
- ▶ Never clean controls with stainless steel cleaners.

Condensation that flows back in may damage the appliance.

- ▶ The air extraction duct must be installed with a gradient of at least 1° from the appliance.

If you put incorrect stress on the design elements, they may break off.

- ▶ Do not pull design elements.
- ▶ Do not place objects on the design elements or hang objects from them.

There is a risk of surface damage if you do not peel off the protective film.

- ▶ Remove the protective film from all parts of the appliance before using for the first time.

If one lamp is defective, this may overload the remaining lamps.

- ▶ Replace any defective lamps.

Painted surfaces are easily damaged.

- ▶ Follow the cleaning instructions.  
→ "Cleaning the appliance",  
Page 12

- ▶ Ensure that the painted surfaces are not scratched.

---

## 3 Environmental protection and saving energy

### 3.1 Disposing of packaging

The packaging materials are environmentally compatible and can be recycled.

- ▶ Sort the individual components by type and dispose of them separately.

### 3.2 Saving energy

If you follow these instructions, your appliance will use less power.

Adjust the fan speed to the amount of steam produced during cooking.

- ✓ The lower the fan speed, the less energy is consumed.  
Only use the intensive mode as required.

If cooking produces large amounts of steam, select a higher fan speed in good time.

- ✓ The odours are distributed around the room less.

Switch off the lighting if it is no longer required.

- ✓ When the lighting is switched off, it does not consume any energy.



Clean or replace the filters at regular intervals.

- ✓ The effectiveness of the filter is retained.

Put the cooking lid on.

- ✓ The cooking vapours and condensation are reduced.

Only use the additional functions if required.

- ✓ Switching off additional functions reduces power consumption.

---

## 4 Operating modes

You can use your appliance in air extraction mode or circulating-air mode.

### 4.1 Air extraction mode

The air which is drawn in is cleaned by the grease filters and conveyed to the exterior by a pipe system.



The air must not be discharged into a flue that is used for exhausting fumes from appliances burning gas or other fuels (not applicable to appliances that only discharge the air back into the room).

- If the exhaust air is to be conveyed into a non-functioning smoke or exhaust gas flue, you must obtain the consent of the heating engineer responsible.
  - If the exhaust air is conveyed through the external wall, a telescopic duct should be used.
- 

### 4.2 Air recirculation mode

The air which is drawn in is cleaned by the grease filters and an odour filter, and conveyed back into the room.



To bind odours in circulating-air mode, you must install an odour filter. The different options for operating the appliance in circulating-air mode can be found in our catalogue. Alternatively, ask your dealer. The required accessories are available from specialist retailers, from customer service or from the Online Shop.

---

## 5 Familiarising yourself with your appliance

### 5.1 Control panel

You can use the control panel to configure all functions of your appliance and to obtain information about the operating status.



1



3/i



①	Switches off the fan
1	Fan setting 1
2/🌀	Fan setting 2/ Run-on function
3/i	Fan setting 3/in- tensive mode
💡	Switches the lighting on/off

## 6 Accessories

You can buy accessories from the after-sales service, from specialist retailers or online. Only use original accessories, as these have been specifically designed for your appliance. Accessories vary from one appliance to another. When purchasing accessories, always quote the exact product number (E no.) of your appliance. → *Page 19*

You can find out which accessories are available for your appliance in our catalogue, in the online shop or from our after-sales service.  
[www.bosch-home.com](http://www.bosch-home.com)

### 6.1 Special Accessories

Special accessories are not included in the delivery. Special accessories can be purchased from our after-sales service, from specialist retailers, or online.

Accessory	Order number
Recirculation Kit - DWBxxxxx / DWGxxxxx (1x active carbon fil- ter, back flap, clamping ring)	DHZ5467
Active Carbon Filter	DHZ5477
Flue Duct Exten- sion With Bracket - DWBxxxx- 50l / DWGxxxx50l	DHZ5640
Flue Duct Exten- sion With Bracket - DWBxxxx- 60l / DWGxxxx60l	DHZ5469
Ducting Kit	DHZ5468

## 7 Basic operation

### 7.1 Switching on the appliance

- ▶ Press 1.
- ✓ The appliance starts at fan setting 1.

### 7.2 Switching off the appliance

- ▶ Press ①.

### 7.3 Choosing the fan setting

- ▶ Press 2/⊙ or 3/i to set the corresponding fan setting.

### 7.4 Switching on intensive mode

You can use the intensive setting if there is a large build-up of odours and fumes or vapours.

1. To activate intensive mode, press and hold 3/i for 2 seconds.
2. To confirm the setting, ① lights up and 3/i flashes.

**Note:** Intensive mode runs for 10 minutes. Once this time has elapsed, the appliance switches back to the fan setting that was last selected.

### 7.5 Switching off intensive mode

- ▶ To end intensive mode early, press ①.

### 7.6 Switching on the fan run-on

The run-on function allows the extractor hood to continue running for a few minutes after it has been

switched off. This eliminates any remaining cooking smells. The extractor hood will then switch itself off automatically.

1. Press and hold 2/⊙.
  2. Press the button for the required fan setting 1, 2/⊙ or 3/i.
- ✓ ① and the button for this fan setting flash.

### Notes

- The run-on time for all fan settings is 30 minutes. Once this time has elapsed, the ventilation system switches off automatically.
- The fan setting can be changed during the run-on time by pressing and holding the required power level.

### 7.7 Switching off the fan run-on

- ▶ Press and hold 2/⊙.
- ✓ The fan run-on will end before the remaining run-on time has elapsed.

### 7.8 Switching on the lighting

The lighting can be switched on and off independently of the ventilation system.

- ▶ Press ⊙.

### 7.9 Switching off the lighting

- ▶ Press ⊙.

---

## 8 Cleaning and servicing

To keep your appliance working efficiently for a long time, it is important to clean and maintain it carefully.

### 8.1 Cleaning products

You can obtain suitable cleaning products from after-sales service or the online shop.

#### **ATTENTION!**

Unsuitable cleaning products may damage the surfaces of the appliance.

- ▶ Do not use harsh or abrasive detergents.
- ▶ Do not use cleaning products with a high alcohol content.
- ▶ Do not use hard scouring pads or cleaning sponges.
- ▶ Only use glass cleaners, glass scrapers or stainless steel care products if recommended in the cleaning instructions for the relevant part.
- ▶ Wash sponge cloths thoroughly before use.

### 8.2 Cleaning the appliance

Clean the appliance as specified. This will ensure that the different parts and surfaces of the appliance are not damaged by incorrect cleaning or unsuitable cleaning products.

#### **WARNING** **Risk of explosion!**

Highly caustic alkaline or highly acidic cleaning agents in conjunction with aluminium parts in the interior of the appliance may cause explosions.

- ▶ Never use highly caustic alkaline or highly acidic cleaning agents. In particular, do not use commercial or industrial cleaning agents in

conjunction with aluminium parts, e.g. grease filter on extractor hoods.

#### **WARNING** **Risk of electric shock!**

An ingress of moisture can cause an electric shock.

- ▶ Before cleaning, pull out the mains plug or switch off the fuse in the fuse box.
- ▶ Do not use steam- or high-pressure cleaners to clean the appliance.

#### **WARNING** **Risk of burns!**

The appliance becomes hot during operation.

- ▶ Allow the appliance to cool down before cleaning.

#### **WARNING** **Risk of injury!**

Components inside the appliance may have sharp edges.

- ▶ Carefully clean the appliance interior.

1. Observe the information regarding the cleaning agents.
2. Clean as follows, depending on the surface:
  - Clean stainless steel surfaces in the direction of the finish using a sponge cloth and hot soapy water.
  - Clean painted surfaces using a damp sponge cloth and hot soapy water.
  - Clean aluminium using a soft cloth and glass cleaner.
  - Clean plastic using a soft cloth and glass cleaner.
  - Clean glass using a soft cloth and glass cleaner.
3. Dry with a soft cloth.

4. Apply a thin layer of the stainless steel cleaning product to stainless steel surfaces using a soft cloth.

You can obtain stainless steel cleaning products from the after-sales service or the online shop.

### 8.3 Cleaning controls

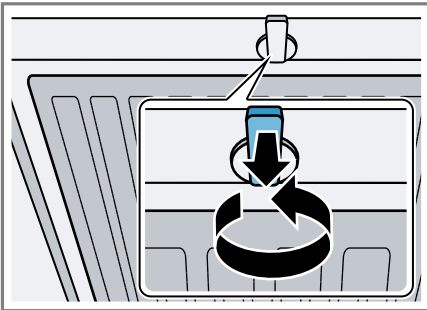
#### **⚠ WARNING** **Risk of electric shock!**

Penetrating moisture may cause an electric shock.

- ▶ Do not use wet sponge cloths.
1. Observe the information regarding the cleaning agents.
  2. Clean using a damp sponge cloth and hot soapy water.
  3. Dry with a soft cloth.

### 8.4 Removing the grease filter

1. Open the lock and swing the metal grease filter down.



To prevent the filter cover from swinging down suddenly, hold onto the filter cover firmly with two hands.

To prevent grease from dripping, hold the grease filter horizontally.

2. Clean the metal grease filters.
3. Clean the inside of the appliance.

**Note:** The metal grease filters must be cleaned every 20 operating hours or at least every 2 weeks.

### 8.5 Cleaning grease filters manually

The grease filters filter the grease from the cooking vapour. Regularly cleaned grease filters guarantee a high level of grease removal. We recommend cleaning the grease filters every two months.

#### **⚠ WARNING** **Risk of fire!**

Fatty deposits in the grease filters may catch fire.

- ▶ Clean the grease filters regularly.

**Requirement:** The grease filters have been removed.

1. Observe the information regarding the cleaning agents.
2. Soak the grease filter in hot soapy water.  
Use special grease solvent for stubborn dirt. You can obtain grease solvents from customer service or the online shop.
3. Use a brush to clean the grease filters.
4. Rinse the grease filters thoroughly.
5. Allow the grease filters to drain.

### 8.6 Cleaning grease filters in the dishwasher

The grease filters filter the grease from the cooking vapour. Regularly cleaned grease filters guarantee a

high level of grease removal. We recommend cleaning the grease filters every two months.

**⚠ WARNING**  
**Risk of fire!**

Fatty deposits in the grease filters may catch fire.

- ▶ Clean the grease filters regularly.

**ATTENTION!**

The grease filters may become damaged if they are squeezed.

- ▶ Do not squeeze the grease filters.

**Note:** When cleaning the grease filter in the dishwasher, light discolouration may occur. This discolouration has no effect on the performance of the metal grease filters.

**Requirement:** The grease filters have been removed.

1. Observe the information regarding the cleaning agents.
2. Place the grease filters loosely into the dishwasher.

Do not clean heavily soiled grease filters with utensils.

Use special grease solvent for stubborn dirt. You can obtain grease solvents from after-sales service or the online shop.

3. Start the dishwasher.  
Select a temperature of no more than 70 °C.
4. Allow the grease filters to drain.

## 8.7 Fitting grease filters

**ATTENTION!**

Falling grease filters may damage the hob below.

- ▶ Grip below the grease filter with one hand.

1. Insert the metal grease filter with the lock facing the front into the underside of the appliance.
2. Make sure that the locks engage.

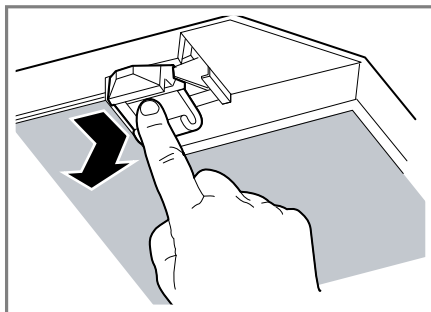
## 8.8 Changing odour filter

Only in circulating air mode.

**Requirements**

- The grease filters have been removed.
- The filters must be serviced regularly.
- The active carbon filters must be replaced at least every 4 months.

1. Push back the fastening hooks.
2. Remove the old odour filter.
3. Insert the new odour filter and secure it in place using the fastening hooks.



4. Fit the metal grease filters.

**Note:** The active carbon filters cannot be cleaned or reactivated.

---

## 9 Troubleshooting

You can rectify minor faults on your appliance yourself. Read the troubleshooting information before contacting after-sales service. This will avoid unnecessary costs.



### **WARNING**

#### **Risk of injury!**

Improper repairs are dangerous.

- ▶ Repairs to the appliance should only be carried out by trained specialist staff.
- ▶ If the appliance is defective, call Customer Service.



### **WARNING**

#### **Risk of electric shock!**

Incorrect repairs are dangerous.

- ▶ Repairs to the appliance should only be carried out by trained specialist staff.
- ▶ Only use genuine spare parts when repairing the appliance.
- ▶ If the power cord of this appliance is damaged, it must be replaced by trained specialist staff.

## 9.1 Replacing the LED lights for DWB068G50I, DW-B098G50I, DWB068G60I and DWB098G60I

### **⚠ WARNING**

#### **Risk of electric shock!**

When changing the bulb, the bulb socket contacts are live.

- ▶ Before replacing the bulb, ensure that the appliance is switched off in order to prevent a potential electric shock.
- ▶ Also unplug the appliance from the mains or switch off the circuit breaker in the fuse box.

### **⚠ WARNING**

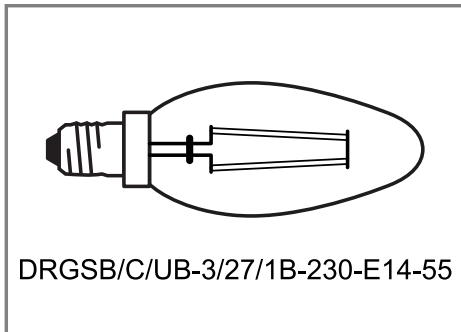
#### **Risk of injury!**

The light emitted by LED lights is very dazzling, and can damage the eyes (risk group 1).

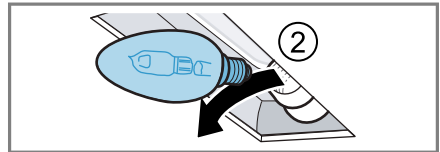
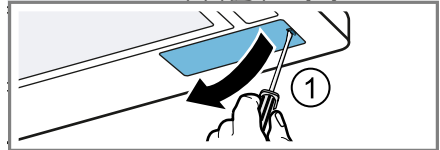
- ▶ Do not look directly into the switched-on LED lights for longer than 100 seconds.

#### **Note**

Only use bulbs of the same type and wattage.



1. Disconnect the appliance from the power supply.
2. Loosen and remove the bulb cover ①.
3. Unscrew the bulb ② and replace it with a bulb of the same type.



4. Refit the bulb cover.
5. Insert the mains plug and switch on the fuse again.

## 9.2 Replacing defective LED lights for DIB098G50I, DIB128G50I and DIG098G50I

- ▶ Defective LED lights may be replaced by the manufacturer, their customer service or a qualified technician (electrician) only.



<b>Fault</b>	<b>Cause and troubleshooting</b>
The appliance is not working.	The mains plug of the power cord is not plugged in. ▶ Connect the appliance to the power supply.
	The circuit breaker in the fuse box has tripped. ▶ Check the circuit breaker in the fuse box.
	There has been a power cut. ▶ Check whether the lighting in your kitchen or other appliances are working.
The lighting does not work.	The bulbs are faulty. ▶ Check in the chapter → " <i>Troubleshooting</i> ", Page 15 how to replace the bulbs.

---

## 10 Disposal

### 10.1 Disposing of old appliance

Valuable raw materials can be re-used by recycling.

1. Unplug the appliance from the mains.
2. Cut through the power cord.
3. Dispose of the appliance in an environmentally friendly manner.

Information about current disposal methods are available from your specialist dealer or local authority.



Dispose of packaging in an environmentally-responsible manner. This appliance is certified in accordance with the guidelines on E-waste (Management ) Rules 2022 which govern waste electrical and electronic equipment. The guideline provide a framework for the return and recycling of used appliances.

**Note:** This product doesn't contain any of hazardous substances as specified in the e-waste Management and Handling Rules 2022.

Dos

- Please visit our website <https://www.bosch-home.in/metapages/e-waste-management> to find out more details regarding e-waste disposal.

- Keep the product in isolated area, after it becomes non-functional/un-repairable so as to prevent its accidental breakage.
- Consult the authorized service center as to whether the Electronic Equipment can be repaired or not, before discarding.
- Consult the retailer about appliance take back schemes.

Don'ts

- The product should not be opened by the user himself/herself, but only by authorized service personnel.
  - The product is not meant for re-sale to any unauthorized agencies/scrap dealers/kabariwalah.
  - Don't dispose of the discarded Electronic Equipment in household bins or Municipal bins.
  - Don't dump the discarded Electronic Equipment in the open or in any land fill site, as this will result in contamination of the soil and the ground water.
  - Do not keep any replaced spare part(s) from the product in exposed area.
-

## 10.2 Disposing of batteries

Batteries should be recycled in an environmentally friendly manner. Do not dispose of the batteries in the household rubbish.

- ▶ Dispose of batteries in an environmentally friendly manner.



According to the European Guideline 2006/66/EC, defective or used battery packs/batteries, must be collected separately and disposed of in an environmentally correct manner.

## 11 Customer Service

Detailed information on the warranty period and terms of warranty in your country is available from our after-sales service, your retailer or on our website.

If you contact Customer Service, you will require the product number (E-Nr.) and the production number (FD) of your appliance.

The contact details for Customer Service can be found in the enclosed Customer Service directory or on our website.

Helpline no.: 1800-266-1880  
(Monday to Saturday – 8 am to 8 pm)

Email ID: [service.in@bosch-home.com](mailto:service.in@bosch-home.com)

Chat with us (WhatsApp):  
+91-8451000555



## 11.1 Product number (E-Nr.) and production number (FD)

You can find the product number (E-Nr.) and the production number (FD) on the appliance's rating plate.

Depending on the model, the rating plate can be found:

- Inside the appliance (remove grease filters for access).
- On top of the appliance.

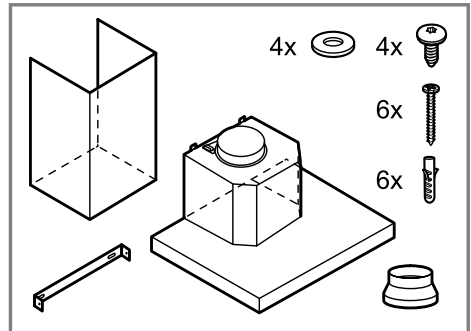
Make a note of your appliance's details and the Customer Service telephone number to find them again quickly.

## 12 Installation instructions



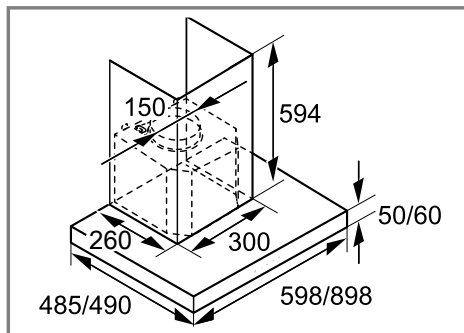
### 12.1 Included with the appliance

After unpacking all parts, check for any damage in transit and completeness of the delivery.



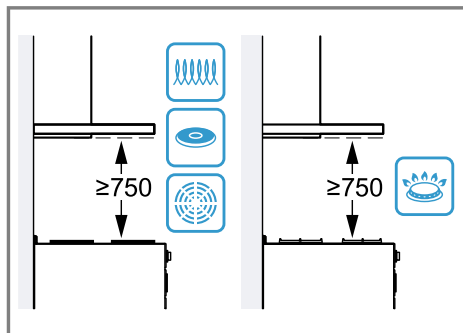
## 12.2 Appliance dimensions

You will find the dimensions of the appliance here



## 12.3 Safety clearances

Comply with the safety clearances for the appliance.

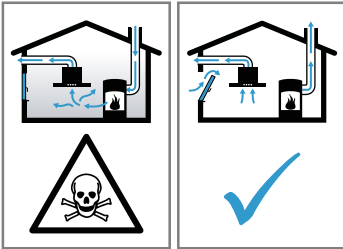


## 12.4 Secure installation

Follow these safety instructions when installing the appliance.

### **⚠ WARNING – Risk of poisoning!**

Risk of poisoning from flue gases being drawn back in. Room-air-dependent heat-producing appliances (e.g. gas, oil, wood or coal-operated heaters, continuous flow heaters or water heaters) obtain combustion air from the room in which they are installed and discharge the exhaust gases into the open through an exhaust gas system (e.g. a chimney). With the extractor hood switched on, air is extracted from the kitchen and the adjacent rooms. Without an adequate supply of air, the air pressure falls below atmospheric pressure. Toxic gases from the flue or the extraction shaft are sucked back into the living space.



- ▶ Always ensure adequate fresh air in the room if the appliance is being operated in exhaust air mode at the same time as a room-air-dependent heat-producing appliance is being operated.
- ▶ It is only possible to safely operate the appliance if the pressure in the room in which the heating appliance is installed does not drop more than 4 Pa (0.04 mbar) below atmospheric pressure. This can be achieved whenever the air needed for combustion is able to enter through openings that cannot be sealed, for example in doors, windows, incoming/exhaust air wall boxes or by other technical means. An incoming/exhaust air wall box alone does not ensure compliance with the limit.
- ▶ In any case, consult your responsible chimney sweep. They are able to assess the house's entire ventilation setup and will suggest the suitable ventilation measures to you.
- ▶ Unrestricted operation is possible if the appliance is operated exclusively in circulating-air mode.

Risk of poisoning from flue gases being drawn back in.

- ▶ If an extractor hood with an open-flued heat production source is installed, the power supply for the extractor hood must be provided with a suitable safety switch.

Risk of poisoning from flue gases being drawn back in.

- ▶ Do not emit the exhaust air into a smoke or exhaust gas flue that is in operation.
- ▶ Do not emit the exhaust air into a shaft that is used to ventilate installation rooms for heat-producing appliances.
- ▶ If the exhaust air is to be conveyed into a smoke or exhaust gas flue, you must obtain the consent of the heating engineer responsible.

### **WARNING – Risk of suffocation!**

Children may put packaging material over their heads or wrap themselves up in it and suffocate.

- ▶ Keep packaging material away from children.
- ▶ Do not let children play with packaging material.

### **WARNING – Risk of fire!**

Grease deposits in the grease filter may catch fire.

- ▶ The specified safety clearances must be complied with in order to prevent a build-up of heat.
- ▶ Observe the specifications for your cooking appliances. If the installation instructions for the cooking appliances specify a different clearance, the larger of the two must always be provided for. If gas hobs and electric hobs are operated together, the largest specified clearance applies.
- ▶ The appliance must be installed with no more than one side directly next to a high-sided unit or a wall. The distance between the appliance and wall or high-sided unit must be at least 50 mm.

The grease deposits in the grease filter may catch fire.

- ▶ Never work with naked flames close to the appliance (e.g. flaming).

- ▶ Do not install the appliance near a heat-producing appliance for solid fuel (e.g. wood or coal) unless a closed, non-removable cover is present. There must be no flying sparks.

### **⚠ WARNING – Risk of injury!**

Components inside the appliance may have sharp edges.

- ▶ Wear protective gloves.

The appliance may fall down if it has not been properly fastened in place.

- ▶ All fastening components must be fixed firmly and securely in place.

The appliance is heavy.

- ▶ To move the appliance, two people are required.
- ▶ Use only suitable tools and equipment.

The appliance is heavy.

- ▶ The appliance must not be fitted directly onto plasterboard or similar lightweight materials.
- ▶ To ensure correct installation, you must use a material which is sufficiently stable and suitable for both the structural conditions and the weight of the appliance.

Changes to the electrical or mechanical assembly are dangerous and may lead to malfunctions.

- ▶ Do not make any changes to the electrical or mechanical assembly.

### **⚠ WARNING – Risk of electric shock!**

Sharp-edged components inside the appliance may damage the connecting cable.

- ▶ Do not kink or trap the connecting cable.

If the appliance or the power cord is damaged, this is dangerous.

- ▶ Never operate a damaged appliance.
- ▶ Never pull on the power cord to unplug the appliance. Always unplug the appliance at the mains.
- ▶ If the appliance or the power cord is damaged, immediately unplug the power cord or switch off the fuse in the fuse box.
- ▶ Call customer services. → *Page 19*

Incorrect repairs are dangerous.

- ▶ Repairs to the appliance should only be carried out by trained specialist staff.
- ▶ Only use genuine spare parts when repairing the appliance.
- ▶ If the power cord of this appliance is damaged, it must be replaced by trained specialist staff.

Incorrect installation is dangerous.

- ▶ Connect and operate the appliance only in accordance with the specifications on the rating plate.
- ▶ Connect the appliance to a power supply with alternating current only via a properly installed socket with earthing.
- ▶ The protective conductor system of the domestic electrical installation must be properly installed.
- ▶ Never equip the appliance with an external switching device, e.g. a timer or remote control.
- ▶ When the appliance is installed, the mains plug of the power cord must be freely accessible. If free access is not possible, an all-pole isolating switch must be installed in the permanent electrical installation according to the conditions of Overvoltage Category III and according to the installation regulations.
- ▶ When installing the appliance, check that the power cable is not trapped or damaged.



## 12.5 General information

Follow these general instructions during the installation.

- For the installation, observe the currently valid building regulations and the regulations of the local electricity and gas suppliers.
- When discharging the exhaust air, the official and legal regulations, such as the regional building code., must be observed.
- In order to freely access the appliance for servicing, select an easy-to-reach installation site.
- The surfaces of the appliance are sensitive. Avoid damaging them during installation.

## 12.6 Instructions for the exhaust air pipe

The appliance manufacturer does not provide any warranty for faults attributable to the pipeline.

- Use a short, straight exhaust air pipe with as large a pipe diameter as possible.
- Long, rough exhaust air pipes, many pipe bends or small pipe diameters reduce the suction power and increase the fan noise.
- Use an exhaust pipe that is made of non-combustible material.
- To prevent condensate from returning, fit the exhaust pipe with a 1° gradient from the appliance.

### Round pipes

Use round pipes with an inner diameter of 150 mm (recommended) or at least 120 mm.

### Flat ducts

Use flat ducts with an inner cross-section that corresponds to the diameter of the round pipes:

- Diameter of 150 mm corresponds to approx. 177 cm<sup>2</sup>.

- Diameter of 120 mm corresponds to approx. 113 cm<sup>2</sup>.
- Use sealing strips for different pipe diameters.
- Do not use any flat ducts with sharp bends.

## 12.7 Instructions for the air extraction mode

For air extraction mode, a one-way flap should be installed.

### Notes

- If a one-way flap is not included with the appliance, one can be ordered from a specialist retailer.
- If the exhaust air is conveyed through the external wall, a telescopic duct should be used.

## 12.8 Information about circulating-air mode

The appliance must only be operated when it is securely installed and the pipework is connected.

## 12.9 Instructions for the electrical connection

In order to safely connect the appliance to the electrical system, follow these instructions.



### WARNING

#### Risk of electric shock!

It must always be possible to disconnect the appliance from the electricity supply. The appliance must only be connected to a protective contact socket that has been correctly installed.

- ▶ The mains plug for the mains power cable must be easily accessible after the appliance is installed.

## en Installation instructions

- ▶ If this is not possible, an all-pole isolating switch must be integrated into the permanent electrical installation according to the conditions of overvoltage category III and according to the installation regulations.
- ▶ The permanent electrical installation must only be wired by a professional electrician. We recommend installing a residual-current circuit breaker (RCCB) in the appliance's power supply circuit. Sharp-edged components inside the appliance may damage the connecting cable.
  - ▶ Do not kink or trap the connecting cable.
- The connection data can be found on the rating plate. → *Page 19*
- The connecting cable is approx. 1.30 m long.
- This appliance complies with the EC interference suppression regulations.
- The appliance corresponds to protection class 1. You should therefore only use the appliance with a protective earth connection.

## Preparing the wall

1. Ensure that there are no electrical wires, gas pipes or water pipes in the area where holes are to be drilled.

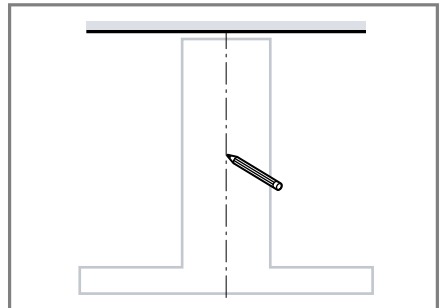
- Do not connect the appliance to the power supply during installation.
- Ensure that the protection against contact is guaranteed during installation.

## 12.10 Installation

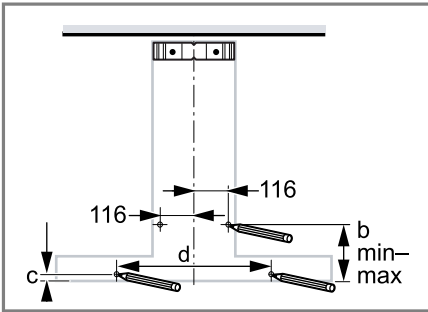
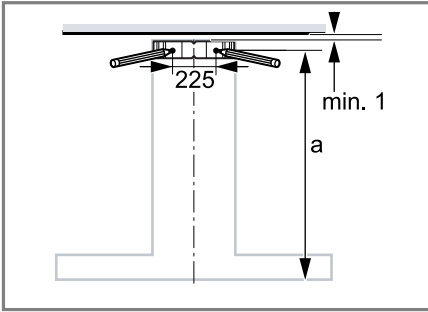
### Checking the wall

1. Check whether the wall is vertical and has sufficient load-bearing capacity.
2. Drill the hole depth in accordance with the length of the screws.  
The wall plugs must have a secure grip.
3. The screws and wall plugs enclosed are only suitable for use with solid brickwork.  
Suitable fasteners must be used for other structures, e.g. plasterboard, aerated concrete, Poroton blocks, masonry bricks.
4. The maximum weight of the appliance is 16 kg.

2. Mark a vertical centre line on the wall from the ceiling to the lower edge of the appliance.

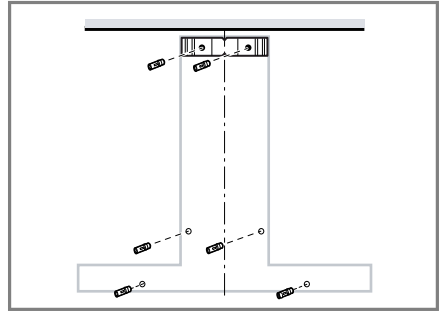


3. Mark holes for the angle brackets in the flue.

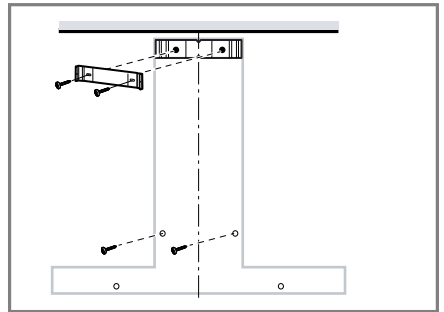


The centre of the angle brackets is marked with a notch. Centre the angle brackets using the centre lines, position them horizontally and mark the positions of the holes.

4. Drill the holes.  
5. Press in the wall plugs flush in the wall.



6. Screw on the fixing bracket for the flue duct.

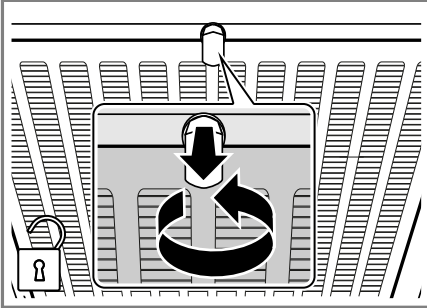


## Distances

	a	b min-max	c	d
DWG068D.0I	617	290-310	-	-
DWB068G50I	630	304-324	34	400
DWB098D50I	620	294-314	24	332
DWG098D.0I	617	290-310	-	-
DWB098G50I	630	304-324	34	650
DWB068D50I	620	294-314	24	332
DWH0.8D.0I	617	290-310	-	-

## Preparing the appliance

- ▶ Remove the metal grease filter.

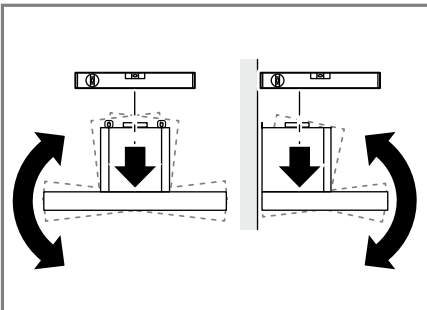


## Installing the appliance

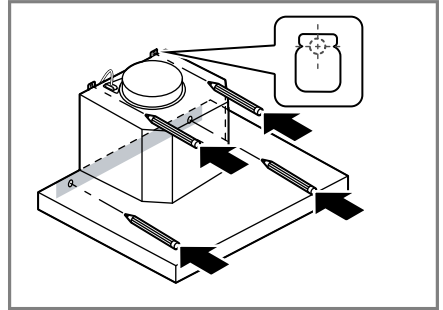
### **⚠ WARNING** **Risk of injury!**

Parts that are accessible during installation may have sharp edges and may lead to cutting injuries.

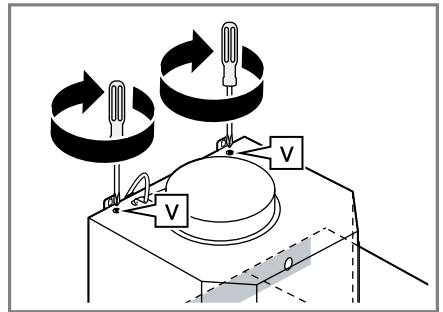
- ▶ Wear protective gloves
1. First remove the protective foil from the back of the appliance and, following installation, remove the foil completely.
  2. Align the appliance horizontally.



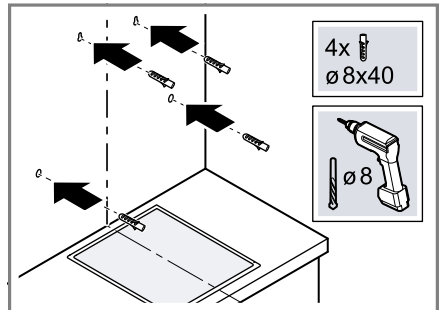
3. Mark the holes.



4. Tighten the screws.

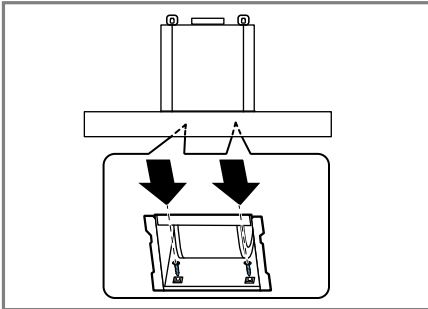


5. Drill the holes.



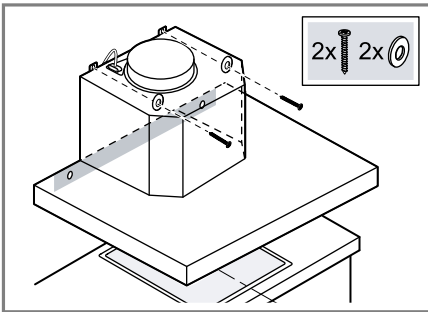
6. Press the wall pugs flush with the wall.
7. Screw on mounting brackets for the appliance.
8. Fit the appliance.

9. Align the appliance horizontally by turning the screws on the mounting brackets.

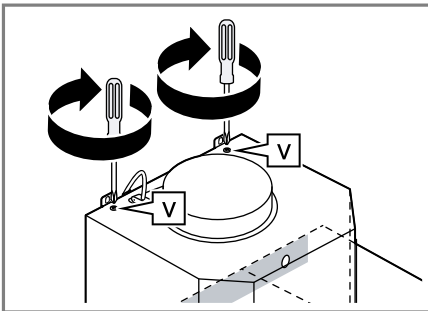


The screws are accessible from the inside of the appliance.

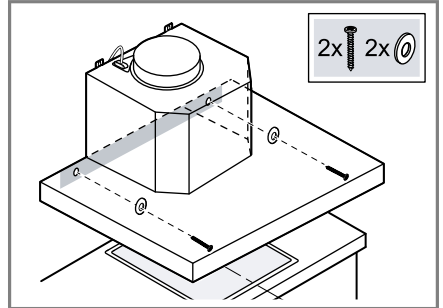
10. Tighten the screws.



11. Loosen the screws to adjust the appliance in height.



12. Tighten the screws.



13. Install the metal grease filters.

### Connecting the appliance

- ▶ Connect the air extractor and establishing a connection to the mains.

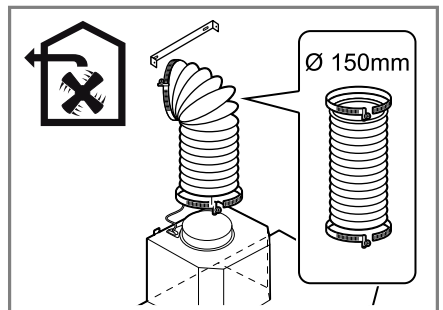
**Note:** For exhaust-air operation, a backflow flap should be fitted. A backflow flap has not been included with the appliance, it can be obtained from a specialist retailer.

If the exhaust air is conveyed through the outer wall, a telescopic wall box should be used connecting the exhaust air pipe.

### Connecting the exhaust air pipe

**Requirement:** If an aluminium pipe is being used, smooth the connection area beforehand.

1. Attach the exhaust a pipe directly to the air pipe connector.

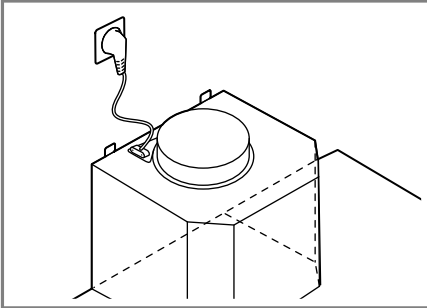


**en** Installation instructions

2. Connect it to the exhaust air opening.
3. Use suitable means to seal the joints.

**Connecting the power supply**

1. Plug the mains plug into the eared socket.

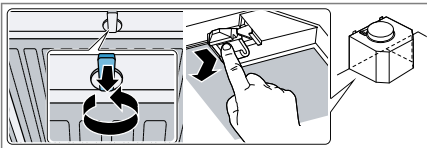


2. If a fixed connect on is required, follow the instructions in the Electrical connection section.

**Installing the active carbon filter**

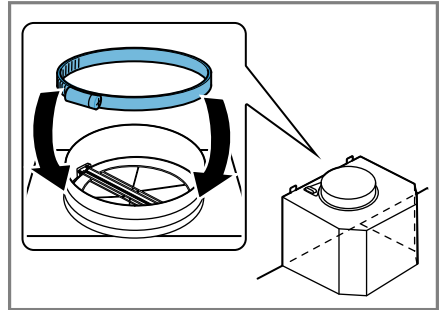
**Requirement:** Only for use in circulating-air mode.

1. Remove the metal grease filters.



2. Insert the new active carbon filters and secure it in place using the fastening hooks.

3. Fix the back flap on the exhaust and secure with clamping ring.



4. Mount the metal grease filters.

**Attaching the flue duct**

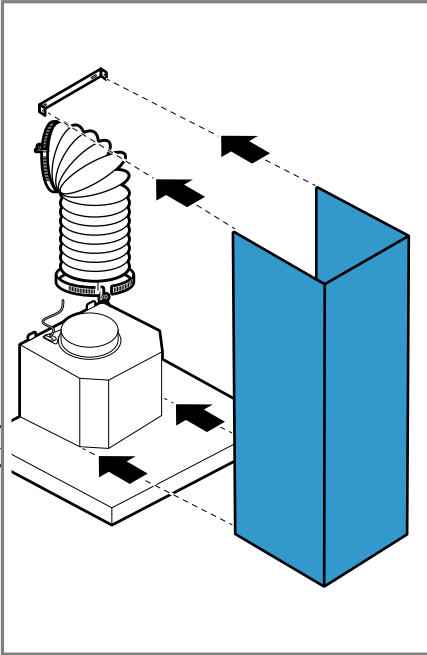
**⚠ WARNING**  
**Risk of injury!**

Components inside the appliance may have sharp edges.

- ▶ Wear protective gloves.

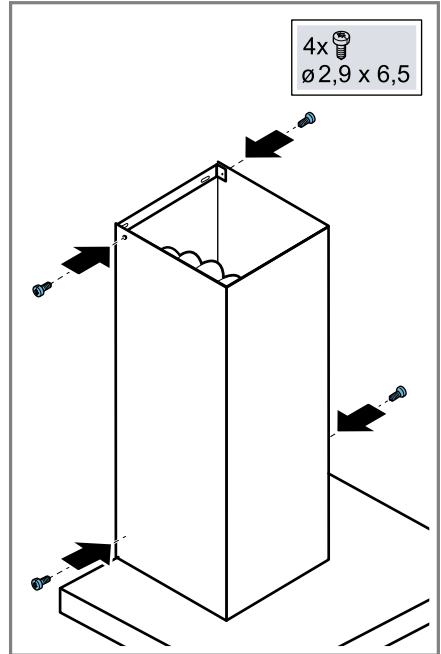
1. Remove the pieces of protective film from the flue duct.

- Place the flue duct on the appliance and fix it in place.



Gently push the two side panels apart, hook them in behind the angle bracket and then push them back together as far as they will go, in example they are touching the ends of the bracket.

- Screw the flue duct to the ends of the angle bracket.



### Installing the flue duct extension

#### **⚠ WARNING** **Risk of injury!**

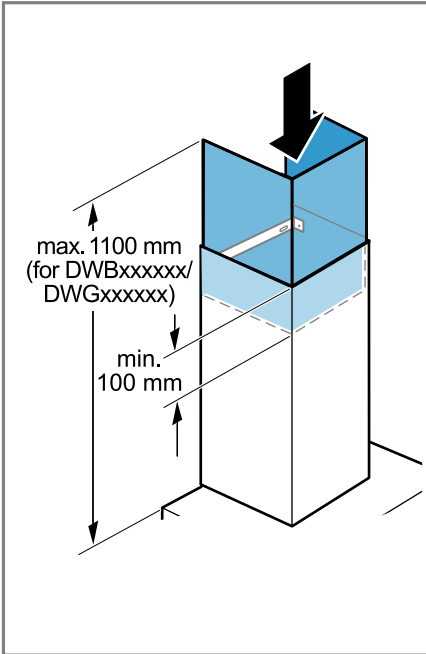
Components inside the appliance may have sharp edges.

- Wear protective gloves.

- Remove the pieces of protective film from the flue duct extension.

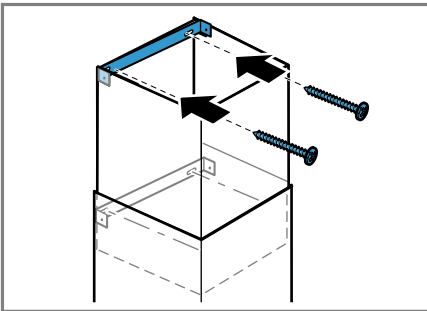
en Installation instructions

2. Place the flue duct extension inside the flue duct.

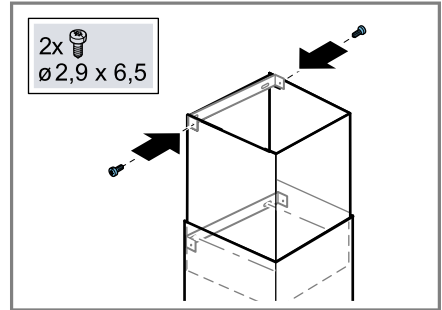


Gently push downward till touches the chimney body.

3. Fix the bottom angle bracket to the wall as shown in above figure.



4. Fix the top angle bracket as per the required height of flue duct extension as shown in above figure.  
The minimum overlap between flue duct and flue duct extension must be 100 mm.
5. Screw the flue duct extension to the ends of the angle bracket.



### Removing the appliance

**⚠ WARNING**  
**Risk of injury!**

Components inside the appliance may have sharp edges.

► Wear protective gloves.

1. Disconnect the appliance from the power supply.
2. Remove the flue duct.
3. Loosen the exhaust air lines.
4. Remove the grease filters.  
To avoid causing damage, do not bend the grease filters.
5. Unscrew in the screws for the appliance bracket slightly.  
Do not loosen them fully.
6. Remove the appliance.
7. Remove the angle bract for the flue duct.











## Thank you for buying a Bosch Home Appliance!

Register your new device on MyBosch now and profit directly from:

- **Expert tips & tricks for your appliance**
- **Warranty extension options**
- **Discounts for accessories & spare-parts**
- **Digital manual and all appliance data at hand**
- **Easy access to Bosch Home Appliances Service**

Free and easy registration – also on mobile phones:

**[www.bosch-home.com/welcome](http://www.bosch-home.com/welcome)**



## Looking for help? You'll find it here.

Expert advice for your Bosch home appliances, help with problems or a repair from Bosch experts.

Find out everything about the many ways Bosch can support you:

**[www.bosch-home.com/service](http://www.bosch-home.com/service)**

Contact data of all countries are listed in the attached service directory.

**BSH Household Appliances Manufacturing Pvt. Ltd.**

Arena house, 2nd floor, Main building,  
Plot no 103, Road no 12, MIDC,  
Andheri,  
Mumbai - 400 093

[www.bosch-home.com](http://www.bosch-home.com)



**9001737817** (030425)

en