



**BOSCH**



**Register** your  
new device on  
MyBosch now and  
get free benefits:  
[bosch-home.com/  
welcome](https://bosch-home.com/welcome)

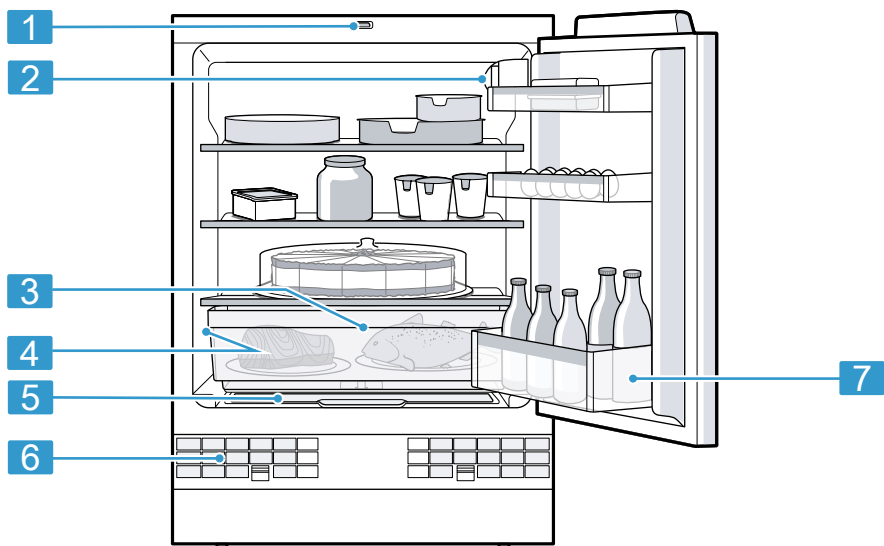
# Refrigerator

**KUR..**

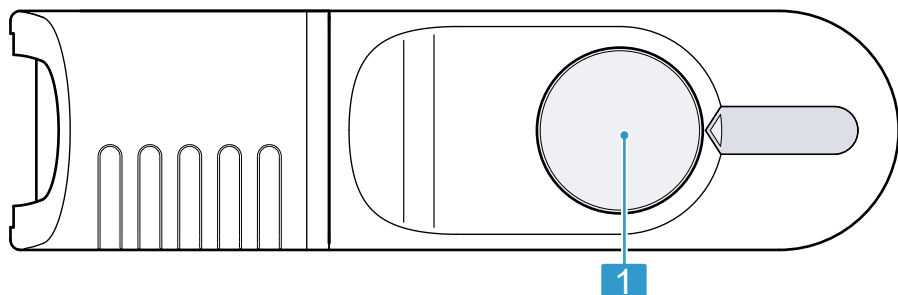
**[en]** Information for Use  
**[zh-hk]** 使用手冊

Refrigerator  
冷藏櫃

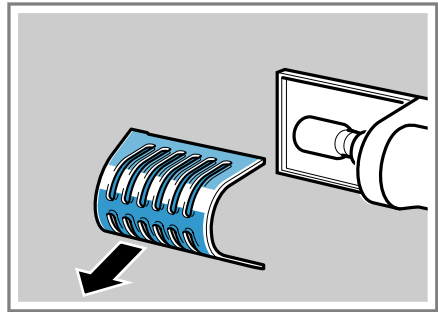
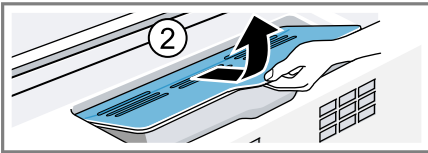
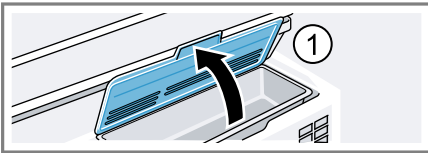
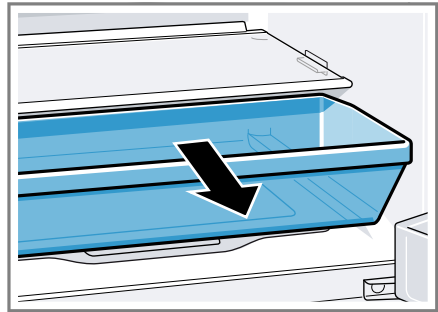
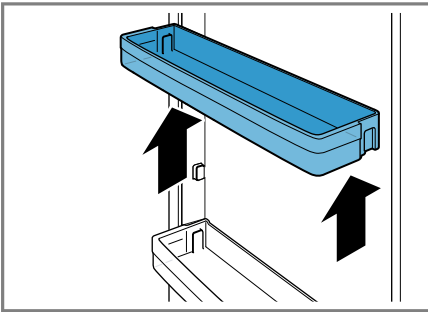
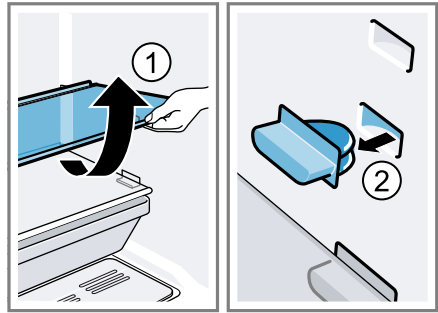
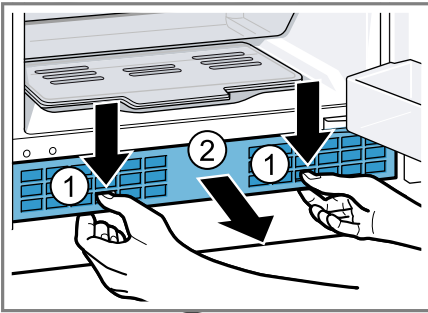
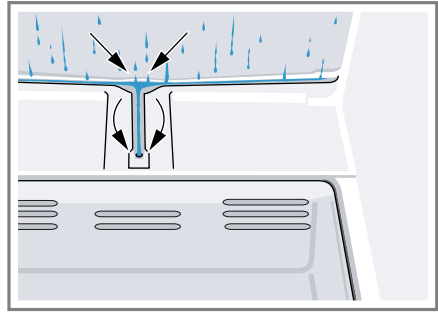
5  
22



**1**



**2**





11

# Table of contents

<b>1 Safety</b> .....	<b>6</b>	<b>8 Refrigerator compartment</b> .....	<b>15</b>
1.1 General information.....	6	8.1 Tips for storing food in the refrigerator compartment .....	15
1.2 Intended use.....	6	8.2 Chill zones in the refrigerator compartment .....	15
1.3 Restriction on user group.....	6	8.3 Cooling capacity.....	15
1.4 Safe transport.....	6	8.4 "OK" sticker .....	15
1.5 Safe installation .....	7	<b>9 Defrosting</b> .....	<b>16</b>
1.6 Safe use .....	8	9.1 Defrosting in the refrigerator compartment .....	16
1.7 Damaged appliance .....	10	<b>10 Cleaning and servicing</b> .....	<b>16</b>
<b>2 Preventing material damage</b> ....	<b>11</b>	10.1 Care instructions for stainless steel surfaces.....	16
<b>3 Environmental protection and saving energy</b> .....	<b>11</b>	10.2 Preparing the appliance for cleaning .....	16
3.1 Disposing of packaging .....	11	10.3 Cleaning the appliance .....	16
3.2 Saving energy.....	11	10.4 Cleaning the condensation channel and drainage hole ....	17
<b>4 Installation and connection</b> .....	<b>11</b>	10.5 Cleaning the ventilation grille.....	17
4.1 Scope of delivery.....	11	10.6 Removing the fittings.....	17
4.2 Criteria for the installation location.....	12	<b>11 Troubleshooting</b> .....	<b>18</b>
4.3 Installing the appliance .....	12	<b>12 Storage and disposal</b> .....	<b>20</b>
4.4 Preparing the appliance for the first time.....	12	12.1 Taking the appliance out of operation .....	20
4.5 Connecting the appliance to the electricity supply.....	13	12.2 Disposing of old appliance ....	20
<b>5 Familiarising yourself with your appliance</b> .....	<b>13</b>	<b>13 Customer Service</b> .....	<b>20</b>
5.1 Appliance .....	13	13.1 Product number (E-Nr.) and production number (FD).....	21
5.2 Control panel.....	13	<b>14 Technical data</b> .....	<b>21</b>
<b>6 Features</b> .....	<b>13</b>		
6.1 Shelf.....	13		
6.2 Pull-out container.....	13		
6.3 Fruit and vegetable container with cover .....	13		
6.4 Door rack.....	14		
6.5 Accessories.....	14		
<b>7 Basic operation</b> .....	<b>14</b>		
7.1 Switching on the appliance .....	14		
7.2 Operating tips.....	14		
7.3 Switching off the appliance .....	14		
7.4 Setting the temperature.....	14		



## 1 Safety

---

Observe the following safety instructions.

### 1.1 General information

- Read this instruction manual carefully.
- Keep the instruction manual and the product information safe for future reference or for the next owner.
- Do not connect the appliance if it has been damaged in transit.

### 1.2 Intended use

Only use this appliance:

- For chilling food.
- In private households and in enclosed spaces in a domestic environment.
- Up to an altitude of 2000 m above sea level.

### 1.3 Restriction on user group

This appliance may be used by children aged 8 or over and by people who have reduced physical, sensory or mental abilities or inadequate experience and/or knowledge, provided that they are supervised or have been instructed on how to use the appliance safely and have understood the resulting dangers.

Do not let children play with the appliance.

Cleaning and user maintenance must not be performed by children unless they are being supervised.

Children above the age of three years old and younger than eight years old may load and unload the the fridge-freezer.

### 1.4 Safe transport

#### **WARNING – Risk of injury!**

The high weight of the appliance may result in injury when lifted.

- ▶ Do not lift the appliance on your own.

## 1.5 Safe installation

### **⚠ WARNING – Risk of electric shock!**

Incorrect installation is dangerous.

- ▶ Connect and operate the appliance only in accordance with the specifications on the rating plate.
- ▶ Connect the appliance to a power supply with alternating current only via a properly installed socket with earthing.
- ▶ The protective conductor system of the domestic electrical installation must be properly installed.
- ▶ Never equip the appliance with an external switching device, e.g. a timer or remote control.
- ▶ When the appliance is installed, the mains plug of the power cord must be freely accessible. If free access is not possible, an all-pole isolating switch must be installed in the permanent electrical installation according to the installation regulations.
- ▶ When installing the appliance, check that the power cable is not trapped or damaged.

If the insulation of the power cord is damaged, this is dangerous.

- ▶ Never let the power cord come into contact with heat sources.

### **⚠ WARNING – Risk of explosion!**

If the appliance's ventilation openings are sealed, a leak in the refrigeration circuit may result in a flammable mixture of gas and air.

- ▶ Keep ventilation openings, in the appliance enclosure or in the built-in structure, clear of obstruction.

### **⚠ WARNING – Risk of fire!**

It is dangerous to use an extended power cord and non-approved adapters.

- ▶ Do not use extension cables or multiple socket strips.
- ▶ Only use adapters and power cords approved by the manufacturer.
- ▶ If the power cord is too short and a longer one is not available, please contact an electrician to have the domestic installation adapted.

Portable multiple socket strips or portable power supply units may overheat and cause a fire.

- ▶ Do not place portable multiple socket strips or power supply units on the back of the appliance.

## 1.6 Safe use

### **⚠ WARNING – Risk of electric shock!**

An ingress of moisture can cause an electric shock.

- ▶ Only use the appliance in enclosed spaces.
- ▶ Never expose the appliance to intense heat or humidity.
- ▶ Do not use steam- or high-pressure cleaners to clean the appliance.

### **⚠ WARNING – Risk of suffocation!**

Children may put packaging material over their heads or wrap themselves up in it and suffocate.

- ▶ Keep packaging material away from children.
- ▶ Do not let children play with packaging material.

Children may breathe in or swallow small parts, causing them to suffocate.

- ▶ Keep small parts away from children.
- ▶ Do not let children play with small parts.

### **⚠ WARNING – Risk of explosion!**

If the cooling circuit is damaged, flammable refrigerant may escape and explode.

- ▶ To accelerate the defrosting process, do not use any other mechanical devices or means other than those recommended by the manufacturer.
- ▶ If food is stuck to the freezer compartment, loosen it with a blunt implement such as the handle of a wooden spoon.

Products which contain flammable propellants and explosive substances may explode, e.g. spray cans.

- ▶ Do not store products which contain flammable propellants (e.g. spray cans) or explosive substances in the appliance.



**⚠ WARNING – Risk of fire!**

Electrical devices within the appliance may cause a fire, e.g. heaters or electric ice makers.

- ▶ Do not operate electrical devices within the appliance. The vapours from flammable liquids may catch fire (explosion).
- ▶ Store high-percentage alcohol tightly closed and standing up.

**⚠ WARNING – Danger: Magnetism!**

The exchangeable coloured fronts are secured with magnets. The magnets may affect electronic implants, e.g. pacemakers, defibrillators or insulin pumps.

- ▶ Persons with electronic implants must stand at least 15 cm away from the magnets.

**⚠ WARNING – Risk of injury!**

Injury to the eyes caused by escaping flammable refrigerant and hazardous gases.

- ▶ Do not damage the tubes of the refrigerant circuit or the insulation.

**⚠ CAUTION – Risk of harm to health!**

To prevent food from being contaminated, you must observe the following instructions.

- ▶ If the door is open for an extended period of time, this may lead to a considerable temperature increase in the compartments of the appliance.
- ▶ Regularly clean the surfaces that may come into contact with food and accessible drain systems.
- ▶ Store raw meat and fish in suitable containers in the refrigerator so that they do not touch or drip on other food.
- ▶ If the fridge/freezer is empty for an extended period of time, switch off the appliance, defrost it, clean it and leave the door open to prevent the formation of mould.

Metal or metal-style parts in the appliance may contain aluminium. If acidic food comes into contact with aluminium in the appliance, aluminium foil ions may pass into the food.

- ▶ Do not consume soiled food.

## 1.7 Damaged appliance

### **WARNING – Risk of electric shock!**

If the appliance or the power cord is damaged, this is dangerous.

- ▶ Never operate a damaged appliance.
- ▶ Never pull on the power cord to unplug the appliance. Always unplug the appliance at the mains.
- ▶ If the appliance or the power cord is damaged, immediately unplug the power cord or switch off the fuse in the fuse box.
- ▶ Call customer services. → *Page 20*

Incorrect repairs are dangerous.

- ▶ Repairs to the appliance should only be carried out by trained specialist staff.
- ▶ Only use genuine spare parts when repairing the appliance.
- ▶ If the power cord of this appliance is damaged, it must be replaced by the manufacturer, the manufacturer's Customer Service or a similarly qualified person in order to prevent any risk.

### **WARNING – Risk of fire!**



If the tubes are damaged, flammable refrigerant and harmful gases may escape and ignite.

- ▶ Keep naked flames and ignition sources away from the appliance.
- ▶ Ventilate the room.
- ▶ Switch off the appliance. → *Page 14*
- ▶ Unplug the appliance from the mains or switch off the circuit breaker in the fuse box.
- ▶ Call after-sales service. → *Page 20*

---

## 2 Preventing material damage

### ATTENTION!

Using the base, runners or appliance doors as a seat surface or climbing surface may damage the appliance.

- ▶ Do not stand or support yourself on the base, runners or doors.

Contamination with oil or fat may cause plastic parts and door seals to become porous.

- ▶ Keep plastic parts and door seals free of oil and grease.

Metal or metal-style parts in the appliance may contain aluminium. Aluminium reacts when it comes into contact with acidic foods.

- ▶ Do not store unpackaged food in the appliance.

---

## 3 Environmental protection and saving energy

### 3.1 Disposing of packaging

The packaging materials are environmentally compatible and can be recycled.

- ▶ Sort the individual components by type and dispose of them separately.

### 3.2 Saving energy

If you follow these instructions, your appliance will use less power.

#### Selecting the installation location

- Keep the appliance out of direct sunlight.
- Install the appliance as far away as possible from heating elements, cookers and other heat sources:

- Maintain a 30 mm clearance to electric or gas cookers.
- Maintain a 300 mm clearance to oil or solid-fuel cookers.
- Never cover or block the exterior ventilation grilles.

### Saving energy during use

**Note:** The arrangement of the fittings does not affect the energy consumption of the appliance.

- Open the appliance only briefly and then close it carefully.
- Never cover or block the interior ventilation openings or the exterior ventilation grilles.
- Transport purchased food in a cool bag and place in the appliance quickly.
- Allow warm food and drinks to cool down before storing them.
- Thaw frozen food in the refrigerator compartment to utilise the low temperature of the food.
- Always leave some space between the food and to the back panel.

---

## 4 Installation and connection

### 4.1 Scope of delivery

After unpacking all parts, check for any transport damage and for completeness of delivery.

If you have any complaints, contact your dealer or our after-sales service → *Page 20*.

The delivery consists of the following:

- Built-under appliance



## en Installation and connection

- Equipment and accessories<sup>1</sup>
- Installation instructions
- User manual
- Customer service directory
- Warranty enclosure<sup>2</sup>
- Energy label
- Information on energy consumption and noises

## 4.2 Criteria for the installation location

### **WARNING** **Risk of explosion!**

If the appliance is in a space that is too small, a leak in the refrigeration circuit may result in a flammable mixture of gas and air.



- ▶ Only install the appliance in a space with a volume of at least 1 m<sup>3</sup> per 8 g refrigerant. The volume of refrigerant is indicated on the rating plate. → Fig.  / 

The weight of the appliance ex works may be up to 35 kg depending on the model.

The subfloor must be sufficiently stable to bear the weight of the appliance.

### **Permitted room temperature**

The permitted room temperature depends on the appliance's climate class.

The climate class can be found on the rating plate. → Fig.  / 

Climate class	Permitted room temperature
SN	10 °C to 32 °C
N	16 °C to 32 °C
ST	16 °C to 38 °C

Climate class	Permitted room temperature
T	16 °C to 43 °C

The appliance is fully functional within the permitted room temperature.

If an appliance with climate class SN is operated at colder room temperatures, the appliance will not be damaged up to a room temperature of 5 °C.

### **Over-and-under and side-by-side installation**

If you want to install 2 refrigerating appliances one over the other or side by side, you must maintain a clearance of at least 150 mm between the appliances. Selected appliances can be installed without a minimum clearance. Ask your dealer or kitchen planner about this.

### **Built-under**

Attachment under certain worktops, e.g. stone, glass or stainless steel, is frequently not possible. You can order accessories from customer service for installation on the side walls. → "Customer Service", Page 20

## 4.3 Installing the appliance

- ▶ Install the appliance in accordance with the enclosed installation instructions.

## 4.4 Preparing the appliance for the first time

1. Remove the informative material.
2. Remove the protective foil and transit bolts, e.g. remove the adhesive strips and carton.

<sup>1</sup> Depending on the appliance specifications

<sup>2</sup> Not in all countries

- Clean the appliance for the first time. → *Page 16*

## 4.5 Connecting the appliance to the electricity supply

- Insert the mains plug of the appliance's power cable in a socket nearby.

The connection data of the appliance can be found on the rating plate. → *Fig. 1/4*

- Check the mains plug is inserted properly.
  - ✓ The appliance is now ready for use.

## 5 Familiarising yourself with your appliance

### 5.1 Appliance

You can find an overview of the parts of your appliance here.

→ *Fig. 1*

- |          |  |
|----------|--|
| <b>1</b> | Light switch → <i>Page 18</i>                                  |
| <b>2</b> | Control panel → <i>Page 13</i>                                 |
| <b>3</b> | Pull-out container → <i>Page 13</i>                            |
| <b>4</b> | Rating plate → <i>Page 21</i>                                  |
| <b>5</b> | Fruit and vegetable container                                  |
| <b>6</b> | Exterior ventilation grille<br>→ <i>Page 17</i>                |
| <b>7</b> | Door storage compartment<br>for large bottles → <i>Page 14</i> |

**Note:** Deviations between your appliance and the diagrams may differ with regard to their features and size.

## 5.2 Control panel

You can use the control panel to configure all functions of your appliance and to obtain information about the operating status.

→ *Fig. 2*

- |          |  |
|----------|--|
| <b>1</b> | The temperature controller sets the temperature. |
|----------|--|

## 6 Features

The features of your appliance depend on the model.

### 6.1 Shelf

To vary the shelf as required, you can remove the shelf.

→ *"Removing the shelf", Page 17*

Re-position the stoppers on both sides and re-insert the shelf.

### 6.2 Pull-out container

Store animal-based food in the pull-out container. You can take out the pull-out container for loading and unloading. → *Page 17*

### 6.3 Fruit and vegetable container with cover

Store fresh fruit and vegetables loose in the fruit and vegetable container. Cover any chopped fruit and vegetables, or store in air-tight packaging. Remove the fruit and vegetable container for loading and unloading.

→ *Page 17*

Condensation may form in the fruit and vegetable container depending on the food and quantity stored. Remove the condensation with a dry cloth.

To ensure that the quality and aroma are retained, store fruit and vegetables that are sensitive to cold outside of the appliance at temperatures of approx. 8 °C to 12 °C, e.g. pineapple, bananas, citrus fruits, cucumbers, courgettes, peppers, tomatoes and potatoes.

## 6.4 Door rack

To adjust the door rack as required, you can remove the door rack and re-insert elsewhere.

→ *"Removing door rack", Page 17*

## 6.5 Accessories

Use original accessories. These have been made especially for your appliance.

The accessories for your appliance depend on the model.

### Egg tray

Store eggs safely on the egg tray.

### Bottle holder

The bottle holder prevents bottles from falling over when the appliance door is opened and closed.

→ *Fig. 3*

---

# 7 Basic operation

## 7.1 Switching on the appliance

1. Turn the temperature controller from position "0".

✓ The appliance begins to cool.

2. Set the required temperature.

→ *Page 14*

## 7.2 Operating tips

- Once you have switched on the appliance, the set temperature is only reached after several hours. Do not put any food in the appliance until the set temperature has been reached.
- If you open the refrigerator compartment door frequently, put large quantities of food in the appliance or if the room temperature is high, the temperature of the refrigerator compartment rises.
- When you close the door, a vacuum may be created. The door is then difficult to open again. Wait a moment until the vacuum is offset.

## 7.3 Switching off the appliance

- ▶ Turn the temperature controller to position "0".

## 7.4 Setting the temperature

### Setting the refrigerator compartment temperature

- ▶ Turn the temperature controller to the required setting.

Setting to a higher number means a lower temperature.

The recommended temperature in the refrigerator compartment is 4 °C.

→ *"OK" sticker", Page 15*

## 8 Refrigerator compartment

You can keep meat, sausage, fish, dairy products, eggs, prepared meals and pastries in the refrigerator compartment.

The temperature can be set from level 1 to level 5.

The refrigerator compartment can also be used to store highly perishable foods in the short to medium term. The lower the selected temperature, the longer the food remains fresh.

### 8.1 Tips for storing food in the refrigerator compartment

- Only store food when fresh and undamaged.
- Store food covered or in air-tight packaging.
- To avoid impeding the circulation of air and to prevent food from freezing, do not place food so that it has direct contact with the back wall.
- Allow hot food and drinks to cool down first before placing in the appliance.
- Observe the best-before date or use-by date specified by the manufacturer.

### 8.2 Chill zones in the refrigerator compartment

The air circulation in the refrigerator compartment creates different chill zones.

#### Coldest zone

The coldest zone is in the pull-out container.

**Tip:** Store highly perishable food such as fish, sausages and meat in the coldest zone.

#### Warmest zone

The warmest zone is at the very top of the door.

**Tip:** Store food that does not spoil easily in the warmest zone, e.g. hard cheese and butter. Cheese can then continue to release its aroma and the butter will still be easy to spread.

### 8.3 Cooling capacity

The temperature in the refrigerator compartment may rise temporarily if loaded with fairly larger amounts of food or drinks.

**Tip:** Turn the temperature controller to a higher setting for approx. seven hours.

→ *"Setting the refrigerator compartment temperature", Page 14*

### 8.4 "OK" sticker

The "OK" sticker lets you check whether the refrigerator compartment reaches the safe temperature ranges of +4 °C or colder recommended for food.

The "OK" sticker is not included with all models.

If the sticker does not indicate "OK", gradually reduce the temperature.

→ *"Setting the refrigerator compartment temperature", Page 14*

Once the appliance is switched on, it may take up to 12 hours until the set temperature is reached.



Correct setting

---

## 9 Defrosting

### 9.1 Defrosting in the refrigerator compartment

When the appliance is operating, condensation droplets or frost form on the rear panel of the refrigerator compartment due to functional reasons. The back panel in the refrigerator compartment defrosts automatically.

Condensation runs through the condensation channel into the drainage hole to the evaporation pan and does not have to be wiped away.

To ensure that the condensation can drain and odours do not form, observe the following information:

→ *"Cleaning the condensation channel and drainage hole", Page 17.*

---

## 10 Cleaning and servicing

To keep your appliance working efficiently for a long time, it is important to clean and maintain it carefully. Customer Service must clean inaccessible points. Cleaning by customer service can give rise to costs.

### 10.1 Care instructions for stainless steel surfaces

When taking care of and cleaning stainless steel surfaces, use only cleaning cloths and cleaning agents suitable for stainless steel.

#### Tips

- To prevent visible scratches, wipe the stainless steel surface in the direction of the grain.

- Suitable cleaning agents and cleaning cloths are available from our customer service, your dealer or on our website.

### 10.2 Preparing the appliance for cleaning

1. Switch off the appliance.  
→ *Page 14*
2. Disconnect the appliance from the power supply.  
Unplug the appliance from the mains or switch off the circuit breaker in the fuse box.
3. Take out all of the food and store it in a cool place.  
Place ice packs (if available) onto the food.
4. Remove all fittings and accessories from the appliance.  
→ *Page 17*

### 10.3 Cleaning the appliance

#### **WARNING** **Risk of electric shock!**

An ingress of moisture can cause an electric shock.

- ▶ Do not use steam- or high-pressure cleaners to clean the appliance.

Liquid in the lighting or in the controls can be dangerous.

- ▶ The rinsing water must not drip into the lighting or controls.

#### **ATTENTION!**

Unsuitable cleaning products may damage the surfaces of the appliance.

- ▶ Do not use hard scouring pads or cleaning sponges.
- ▶ Do not use harsh or abrasive detergents.
- ▶ Do not use cleaning products with a high alcohol content.



- ▶ Do not use stainless-steel cleaning agents on the outside of the appliance.

If liquid gets into the drainage hole, the evaporation pan may overflow.

- ▶ The rinsing water must not get into the drainage hole.

If you clean fittings and accessories in the dishwasher, this may cause them to become deformed or discoloured.

- ▶ Never clean fittings and accessory in the dishwasher.

1. Prepare the appliance for cleaning.  
→ *Page 16*
2. Clean the appliance, the fittings, the accessories and the door seals with a dish cloth, lukewarm water and a little pH-neutral washing-up liquid.
3. Dry thoroughly with a soft, dry cloth.
4. Insert the fittings.
5. Electrically connect the appliance.  
→ *Page 13*
6. Putting the food into the appliance.

## 10.4 Cleaning the condensation channel and drainage hole

Regularly clean the condensation channel and drainage hole to ensure that the condensation can drain.

1. Remove the pull-out container.  
→ *Page 17*
2. Carefully clean the condensation channel and the drainage hole, e.g. using a cotton bud.  
→ *Fig. 4*

## 10.5 Cleaning the ventilation grille

1. Remove the exterior ventilation grille for cleaning.
  - To do this, depress the clips in the ventilation openings and simultaneously remove the exterior ventilation grille forwards.  
→ *Fig. 5*
2. Clean the exterior ventilation grille with lukewarm soapy water and a dish cloth.
3. Let the exterior ventilation grille dry completely and insert it.

## 10.6 Removing the fittings

If you want to clean the fittings thoroughly, remove these from your appliance.

### Removing the shelf

- ▶ Lift the shelf, pull it forwards and swivel it out to the side ① and remove the plugs ②.  
→ *Fig. 6*

### Removing door rack

- ▶ Lift the door rack and remove it.  
→ *Fig. 7*

### Removing pull-out containers

- ▶ Lift the pull-out container and remove it.  
→ *Fig. 8*

### Remove the fruit and vegetable container with the lid

- ▶ Fold up the lid of the fruit and vegetable container ① and remove the fruit and vegetable container with lid towards the front ②.  
→ *Fig. 9*

## 11 Troubleshooting

You can rectify minor faults on your appliance yourself. Read the troubleshooting information before contacting after-sales service. This will avoid unnecessary costs.

### **WARNING**

#### **Risk of electric shock!**

Incorrect repairs are dangerous.

- ▶ Repairs to the appliance should only be carried out by trained specialist staff.
- ▶ Only use genuine spare parts when repairing the appliance.
- ▶ If the power cord of this appliance is damaged, it must be replaced by the manufacturer, the manufacturer's Customer Service or a similarly qualified person in order to prevent any risk.

<b>Fault</b>	<b>Cause and troubleshooting</b>
The LED lighting does not work.	<p>The illuminant is defective.</p> <ol style="list-style-type: none"> <li>1. Switch off the appliance. → <i>Page 14</i></li> <li>2. Disconnect the appliance from the mains. Unplug the appliance from the mains or switch off the circuit breaker in the fuse box.</li> <li>3. Remove the illuminant cover to the left. → <i>Fig. 10</i></li> <li>4. Replace the illuminant. Replacement illuminant: 220–240 V AC, E14 bulb holder, see the defective illuminant's wattage.</li> </ol> <hr/> <p>The light switch is jammed.</p> <ul style="list-style-type: none"> <li>▶ Check whether the light switch can be moved. → <i>Fig. 11</i></li> </ul>
The base of the refrigerator compartment is wet.	<p>The condensation channel or drainage hole are blocked.</p> <ul style="list-style-type: none"> <li>▶ Clean the condensation channel and the drainage hole. → <i>Page 17</i></li> </ul>
The appliance hums, bubbles, buzzes, gargles or clicks.	<p>Not a fault. A motor is running, e.g. refrigerating unit, fan. Refrigerant flows through the pipes. The motor, switches or solenoid valves are switching on or off. No action required.</p>
The appliance makes noises.	<p>Fittings wobble or stick.</p> <ul style="list-style-type: none"> <li>▶ Check the removable fittings and, if required, replace these.</li> </ul> <hr/> <p>Bottles or containers are touching.</p>

---

<b>Fault</b>	<b>Cause and troubleshooting</b>
The appliance makes noises.	▶ Move the bottles or containers away from each other.

---

---

## 12 Storage and disposal

### 12.1 Taking the appliance out of operation

1. Switch off the appliance.  
→ *Page 14*
2. Disconnect the appliance from the power supply.  
Unplug the appliance from the mains or switch off the circuit breaker in the fuse box.
3. Remove all of the food.
4. Clean the appliance. → *Page 16*
5. To guarantee the ventilation inside the appliance, leave the appliance open.

### 12.2 Disposing of old appliance

Valuable raw materials can be re-used by recycling.

#### **WARNING**

##### **Risk of harm to health!**

Children can lock themselves in the appliance, thereby putting their lives at risk.

- ▶ Leave shelves and containers inside the appliance to prevent children from climbing in.
- ▶ Keep children away from the redundant appliance.

#### **WARNING**

##### **Risk of fire!**

If the tubes are damaged, flammable refrigerant and harmful gases may escape and ignite.

- ▶ Do not damage the tubes of the refrigerant circuit or the insulation.

1. Unplug the appliance from the mains.
2. Cut through the power cord.

3. Dispose of the appliance in an environmentally friendly manner.

Information about current disposal methods are available from your specialist dealer or local authority.



This appliance is labelled in accordance with European Directive 2012/19/EU concerning used electrical and electronic appliances (waste electrical and electronic equipment - WEEE). The guideline determines the framework for the return and recycling of used appliances as applicable throughout the EU.

---

## 13 Customer Service

Function-relevant genuine spare parts according to the relevant Ecodesign Directive can be obtained from Customer Service for a period of at least 10 years from the date on which your appliance was placed on the market. Detailed information on the warranty period and terms of warranty in your country is available from our after-sales service, your retailer or on our website.

If you contact Customer Service, you will require the product number (E-Nr.) and the production number (FD) of your appliance.

The contact details for Customer Service can be found in the enclosed Customer Service directory or on our website.

## 13.1 Product number (E-Nr.) and production number (FD)

You can find the product number (E-Nr.) and the production number (FD) on the appliance's rating plate.

→ Fig. 1/4

Make a note of your appliance's details and the Customer Service telephone number to find them again quickly.

---

## 14 Technical data

Refrigerant, cubic capacity and further technical specifications can be found on the rating plate.

→ Fig. 1/4

You can find more information about your model online at [www.bosch-home.com/energylabel](http://www.bosch-home.com/energylabel). Please then follow the instructions on searching for the model. The model identifier is made up of the characters before the slash in the product number (E-Nr.) on the rating plate. Alternatively, you can also find the model identifier in the first line of the energy label.

# 目錄

<b>1 安全性</b> .....	<b>23</b>	8.3 冷藏量 .....	30
1.1 一般提示說明 .....	23	8.4 OK 標籤 .....	30
1.2 使用須知 .....	23	<b>9 除霜</b> .....	<b>30</b>
1.3 用戶限制 .....	23	9.1 冷藏室除霜 .....	30
1.4 運送的安全性 .....	23	<b>10 清潔和保養</b> .....	<b>30</b>
1.5 安裝的安全性 .....	23	10.1 不鏽鋼表面保養說明 .....	31
1.6 使用安全性 .....	24	10.2 清潔機器的事前準備工作 .....	31
1.7 裝置損壞 .....	26	10.3 清潔機器 .....	31
<b>2 避免財物損失</b> .....	<b>27</b>	10.4 清潔冷凝水排放通道和排水孔 .....	31
<b>3 環境保護和節省資源</b> .....	<b>27</b>	10.5 清潔通風格柵 .....	31
3.1 處理廢棄包裝物料 .....	27	10.6 取出配件 .....	31
3.2 節約能源 .....	27	<b>11 排除故障</b> .....	<b>33</b>
<b>4 安裝和連接</b> .....	<b>27</b>	<b>12 存放和廢棄處理</b> .....	<b>34</b>
4.1 出貨內容物清單 .....	27	12.1 將本機停止運轉 .....	34
4.2 安裝地點考量要件 .....	28	12.2 舊機處理 .....	34
4.3 安裝設備 .....	28	<b>13 客戶服務</b> .....	<b>34</b>
4.4 第一次使用本裝置的事前準備工作 .....	28	13.1 產品編號 ( E-Nr. ) 和生產編號 ( FD ) .....	34
4.5 接通電器電源 .....	28	<b>14 技術資料</b> .....	<b>34</b>
<b>5 深入瞭解</b> .....	<b>28</b>		
5.1 設備 .....	28		
5.2 操作面板 .....	29		
<b>6 配置</b> .....	<b>29</b>		
6.1 層架 .....	29		
6.2 抽拉式存放盒 .....	29		
6.3 含蓋蔬果盒 .....	29		
6.4 門邊置物架 .....	29		
6.5 配件 .....	29		
<b>7 基本操作</b> .....	<b>29</b>		
7.1 開機 .....	29		
7.2 操作注意事項 .....	29		
7.3 關機 .....	29		
7.4 設定溫度 .....	30		
<b>8 冷藏室</b> .....	<b>30</b>		
8.1 將食物存放到冷藏室的秘訣 .....	30		
8.2 冷藏室裡的冷卻區 .....	30		



## 1 安全性

請注意以下的安全須知。

### 1.1 一般提示說明

- 請仔細閱讀本說明書。
- 請妥善保管本手冊和產品資訊，以備日後查閱或提供給下一位使用者。
- 如本設備於運送途中受損，切勿安裝。

### 1.2 使用須知

本電器只能用於以下用途：

- 冷卻食物。
- 僅限私人家庭和居家環境的室內區域。
- 本機可在海拔最高 2000 m 以下的環境使用。

### 1.3 用戶限制

凡年滿 8 歲的孩童，身體、感官或智力有缺陷及缺乏相關操作經驗人士，必須在負責其安全的人員監督下或了解設備安全及相關危險的人員指導下才可使用本機。

請勿讓孩童將本設備當作玩具玩耍。

孩童除非在監督下，否則不得進行清潔及護理的工作。

3 至 8 歲以下的孩童可在雪櫃 / 冰櫃上存放或拿取物品。

### 1.4 運送的安全性

#### 警告 – 受傷風險!

抬起機器時，沈重的重量可能會造成受傷。

- ▶ 請勿自行抬起機器。

### 1.5 安裝的安全性

#### 警告 – 觸電風險!

安裝不當可能導致危險。

- ▶ 僅限按家電銘牌所提供之資訊接駁並運行本機。
- ▶ 僅限透過按規定安裝接地保護的插座將本機接駁到帶有交流電的主電源。

- ▶ 房屋電路安裝的接地系統必須按規定進行安裝。
  - ▶ 切勿透過定時器或遙控器等外部開關裝置為本機供電。
  - ▶ 本機安裝完成後，必須可以隨手插入或拔除電源插頭，或者若無法隨手插入或拔除插頭，必須根據過電壓類別 III 和安裝規定的要求，在進行固定的電路安裝時應安裝全相的切斷裝置。
  - ▶ 安裝機器時，請確保電源線未被夾住或受到損壞。
- 電源線絕緣層若損壞可能發生危險。
- ▶ 請勿將電源線靠近發熱的熱源。

### **⚠ 警告 – 爆炸風險!**

若關閉本設備的通風口，製冷循環迴路萬一發生洩漏時，燃氣和空氣可能會形成易燃的混合體。

- ▶ 請勿關閉設備外殼或機身內部的通風口。

### **⚠ 警告 – 火災風險!**

使用電源延長線和未經授權的轉接器可能發生危險。

- ▶ 請勿使用電源延長線或拖板。
- ▶ 僅使用製造商批准的轉接器和電源線。
- ▶ 若電源連接線過短，而且沒有更長的電源線，請聯絡專業的電氣公司來修改家中配電系統。

便攜式多位插座或電源可能會過熱並導致火災。

- ▶ 便攜式多位插座或電源不可置於裝置背面。

## **1.6 使用安全性**

### **⚠ 警告 – 觸電風險!**

濕氣滲入可能會導致觸電。

- ▶ 本裝置只限於室內使用。
- ▶ 切勿將本裝置置於高溫或潮濕處。
- ▶ 請勿使用蒸氣清潔機、高壓清潔機清潔本機。

### **⚠ 警告 – 窒息風險!**

孩童有可能用包裝膠袋將頭部套住或將自己纏住而造成窒息。

- ▶ 請確保孩童遠離包裝膠袋。
- ▶ 請勿讓孩童玩耍包裝膠袋。

孩童可能會吸入或吞食小型零件而造成窒息。

- ▶ 請確保孩童遠離小型零件。
- ▶ 切勿讓孩童用小型零件玩耍。



**⚠ 警告 – 爆炸風險!**

若製冷劑迴路損壞，則易燃的製冷劑可能會溢出並爆炸。

- ▶ 切勿使用其他機械設備或非製造商建議使用的工具，來加速除霜。
- ▶ 用鈍物鬆開冷凍食品，例如木匙。

噴罐及其他內含易燃推進氣體和易爆物質的物品有發生爆炸的危險。

- ▶ 請勿將內含易燃推進氣體及易爆物質的物品存放在本裝置內。

**⚠ 警告 – 火災風險!**

在本裝置內使用電器（例如熱水器或製冰器），該電器可能起火燃燒。

- ▶ 切勿在本裝置內使用電器。
- 易燃液體揮發成蒸氣狀後可能會自燃（爆燃）。
- ▶ 高濃度的酒類需確實密封且直立放置。

**⚠ 警告 – 危險：磁力!**

可換式彩色面板已用磁鐵固定。磁鐵可能對心臟起搏器、電擊器或胰島素泵等電子植入物造成影響。

- ▶ 配戴電子植入物的人員應與這些磁鐵至少保持15 cm的距離。

**⚠ 警告 – 受傷風險!**

外洩的易燃冷媒及有害氣體會損害眼睛。

- ▶ 請勿損壞冷媒迴路的配管及絕緣體。

**⚠ 小心 – 危害健康的風險!**

為避免食品受到污染，請遵照以下指示。

- ▶ 若長時間開啟雪櫃門，裝置的儲物格內部的溫度可能會大幅回升。
- ▶ 請定期清潔會與食物接觸到的表面以及可觸及範圍內的排流設備。
- ▶ 生肉和生魚先裝入合適的容器內再放冰箱，以避免接觸到其他食物或其血水滴落至其他食物上。
- ▶ 若長時間不使用雪櫃 / 冰櫃，請關掉電源、進行除霜和清潔，並打開櫃門，以預防發霉。

設備內的金屬材質或金屬外觀的部件可能含有鋁合金成份。酸性食物若接觸到鋁合金部件，可能會令鋁離子轉移至食物中。

- ▶ 請勿食用受到污染的食物。

## 1.7 裝置損壞

### 警告 – 觸電風險!

機器損壞或電源線損壞時可能發生危險。

- ▶ 請勿操作受損的設備。
- ▶ 請勿拉扯電源線切斷本機電源。拔除電源線時，務必從插頭部位拉起。
- ▶ 若本機或電源線損壞，請立即拔除電源線插頭或關閉保險絲盒的保險絲。
- ▶ 請聯絡客戶服務。 → 頁次34

維修不當可能發生危險。

- ▶ 只許由合資格的專業人員維修電器。
- ▶ 僅限使用原廠耗材維修電器。
- ▶ 若本電器的電線損壞，必須交由製造商或其客戶服務或具有類似資格的專業人員更換，以避免發生危險。

### 警告 – 火災風險!



若是管路損壞，則易燃冷媒及有害氣體可能會因外洩而自燃。

- ▶ 請移除機器周圍的明火或火源。
- ▶ 請保持室內通風。
- ▶ 關掉電源。 → 頁次29
- ▶ 拔除電源線插頭或關閉保險絲盒中的保險絲。
- ▶ 請聯絡客戶服務。 → 頁次34

## 2 避免財物損失

### 注意！

坐在 / 倚靠底座、儲存室或雪櫃門等處或藉這些部分攀高，可能令本裝置受損。

- ▶ 請勿倚靠或踏在底座、儲存室或雪櫃門上。

油污可能會將塑膠零件及雪櫃門封條侵蝕出許多細微孔洞。

- ▶ 請保持塑膠零件及雪櫃門封條處無油脂。

設備的金屬材質或表面具有金屬材質效果的部份可能含鋁。鋁若接觸酸性食物，會產生化學反應。

- ▶ 請勿在本設備內存放未包裝的食物。

## 3 環境保護和節省資源

### 3.1 處理廢棄包裝物料

包裝物料符合環保要求且可回收。

- ▶ 請分類處理各組件。

### 3.2 節約能源

若您注意此提示說明，電器的耗電量將會更低。

#### 選擇安裝地點

- 設備應避免陽光直射。
- 安裝設備的地點應盡量遠離加熱器、爐灶以及其他熱源：
  - 與電磁爐或瓦斯爐需保持 30 毫米的距離。
  - 與油爐或煤爐需保持 300 毫米的距離。
- 切勿遮蔽外部通風格柵或任其堵塞。

## 以節約能源方式使用本裝置

**備註** 配件安裝位置不得影響設備的能源消耗。

- 本電器開動的時間不可過久並且應小心關掉。
- 切勿遮蔽內部通風口或機台外部的通風格柵或任其堵塞。
- 請從保冷袋取出購買的食物，並迅速放入本設備。
- 溫熱的食物和飲料請於冷卻後才放入。
- 放入冷藏室解凍的冷凍食品，可利用冷凍食品本身的低溫幫助冷藏室保持溫度。
- 請在食物和本機背板之間留有一定的空間。

## 4 安裝和連接

### 4.1 出貨內容物清單

拆開包裝後，請檢查所有零件有否於運送途中受損以及交付的產品是否齊全。若發現有問題，請聯繫購買機器的供應商或者聯絡本公司的客戶服務 → 頁次 34。

產品清單包括：

- 下嵌式機器
- 配置與配件<sup>1</sup>
- 安裝手冊
- 使用說明書
- 客戶服務目錄
- 保養卡<sup>2</sup>
- 能源標籤
- 關於耗電量和噪音的資訊

<sup>1</sup> 視乎電器的配置而定

<sup>2</sup> 只在特定國家/地區

## 4.2 安裝地點考量要件

### 警告 爆炸風險!

本裝置若是架設在狹小空間裡，製冷循環迴路萬一發生洩漏時，燃氣和空氣可能會形成易燃的混合體。

- ▶ 安裝本裝置時，必須達到每 8 g 冷媒至少能夠分配到 1 m<sup>3</sup> 的空間。冷媒量資訊標示在家電銘牌上。

→  / 

機器的重量將視機型而定，出廠時最重可達 35 公斤。  
安裝的地面必須足夠堅固，才能承受設備的重量。

### 允許的室內溫度

允許的室內溫度取決於機器的氣候類別。

氣候類別資料標示在家電銘牌上。

→  / 

氣候類別	允許的室內溫度
SN	10 °C...32 °C
N	16 °C...32 °C
ST	16 °C...38 °C
T	16 °C...43 °C

本機在所允許的室內溫度下，運轉功能才會齊全。

若要在室溫較低的地方安裝屬於氣候類別 SN 的機器，除非將室溫提高 5 °C，否則機器可能會損壞。

### 上下疊排和並行安裝

若要上下或並排安裝 2 台製冷電器，電器之間必須相隔至少 150 毫米。安裝所選電器時無須最小距離。相關問題請向專業經銷商或廚房規劃師查詢。

### 下嵌式

在石材、玻璃或不鏽鋼等特殊檯面下，通常無法固定安裝。可向客戶服務訂購側壁安裝的配件。

→ 「客戶服務」，頁次 34



## 4.3 安裝設備

- ▶ 請按照隨附之安裝說明書安裝設備。

## 4.4 第一次使用本裝置的事前準備工作

1. 取出提供資訊的文件。
2. 拆除保護貼膜和搬運固定條，例如膠條和紙板。
3. 第一次清潔本裝置。 → 頁次 31

## 4.5 接通電器電源

1. 將電器電線的插頭插入電器附近的電源插座。  
電器的連接資料位在規格銘板上。  
→  / 
2. 檢查電源插頭是否牢固。  
✓ 本電器已可開始使用。

# 5 深入瞭解

## 5.1 設備

可在此查看電器的相關組件一覽。

→ 

 燈光開關 → 頁次 33

 操作面板 → 頁次 29

 抽拉式存放盒 → 頁次 29

 家電銘牌 → 頁次 34

 蔬果儲存盒

 外部通風格柵 → 頁次 31

 門邊瓶架 → 頁次 29

備註 機器的實際配置和尺寸可能與圖示有差異。

## 5.2 操作面板

可透過操作面板設定電器的所有功能並獲得有關操作狀態的資訊。

→ 

**1** 溫度調節器是用來調整溫度。

## 6 配置

機器的配置視機型而定。

### 6.1 層架

若要依需求變換層架配置，您可取下層架。

→ 「取出層架」，頁次31

請挪動兩側的塞子並且重新裝入層架。

### 6.2 抽拉式存放盒

請將動物性食物存放於抽拉式存放盒內。若要存放或拿取物品，可取出抽拉式存放盒。→ 頁次31

### 6.3 含蓋蔬果盒

新鮮水果或蔬菜放在蔬果盒裡，無需包裝。

將切好的蔬果蓋上蓋子或裝入密封容器內存放。

存放或拿取時，請直接取出蔬果盒。

→ 頁次32

根據儲存量及儲存食物，蔬果盒可能形成冷凝水。

請用乾布擦拭冷凝水。

為能保持最佳品質和風味，易凍壞的蔬果應存放在本設備外，約 8 °C 至 12 °C 的溫度下，例如：菠蘿、香蕉、柑橘類、青瓜、節瓜、椒類、番茄和馬鈴薯。

## 6.4 門邊置物架

若要依需求變更門邊置物架配置，可取出門邊置物架並將它重新插入至其他位置。

→ 「取出門邊置物架」，頁次31

## 6.5 配件

請使用原廠配件。原廠配件是專為本電器所設計。

您的電器配件取決於機型而定。

### 蛋架

請將蛋放在蛋架上，以確保安全。

### 瓶罐夾

設備門開關時，瓶罐夾可防止瓶罐傾斜。

→ 

## 7 基本操作

### 7.1 開機

1. 溫度調節器從 0 開始轉動。  
✓ 本電器開始製冷。
2. 設定所需的溫度。→ 頁次30

### 7.2 操作注意事項

- 設備啟動電源後，需要好幾個小時才能達到所設定的溫度。  
未達設定溫度前，請勿放入食物。
- 冷藏室門頻繁開啟、放入大量食物或室內溫度高時，都會造成冷藏室溫度上升。
- 關上門時，可能會形成負壓。機門很難重新打開。請稍候片刻，等待壓力達到平衡狀態。

### 7.3 關機

- ▶ 將溫度調節器轉至 0。

## 7.4 設定溫度

### 設定冷藏室溫度

- ▶ 將溫度調節器轉到所需的設定。  
設定的數值越高，表示溫度越低。  
冷藏室的建議溫度是 4 °C。  
→ 「OK 標籤」，頁次30

---

## 8 冷藏室

冷藏室可存放肉類、香腸、魚、奶製品、蛋、準備好的菜餚和烘焙食品。溫度可設為 1 至 5 級。冷藏室可保存非常容易變質的食物一段時間。設定的溫度愈低，食物的保鮮時間就愈長。

### 8.1 將食物存放到冷藏室的秘訣

- 請只存放生鮮和完整的食物。
- 請將食物密封包裝或蓋好存放。
- 為不影響空氣循環以及避免食物結凍，請勿將食物直接靠在後壁上。
- 熟食和熱飲在放入電器前必須先冷卻。
- 請注意製造商提供的保存期限或使用期限。

### 8.2 冷藏室裡的冷卻區

空氣循環系統使冷藏室形成不同的冷卻區。

#### 最冷的區域

最冷的區域是在抽拉式儲存盒。

提示：請將容易腐爛的食物（例如魚、香腸和肉）儲存在最冷的區域。

#### 最不冷的區域

最不冷的區域是在箱門整個上部。

提示：請將不容易變質的食物存放在最不冷的區域，例如硬芝士和牛油。將芝士放在此處可使其風味更佳，牛油則更易塗抹。

## 8.3 冷藏量

放入大量新鮮食物或或飲料時，可將冷藏室溫度暫時調高。

提示：將溫度調節器暫時轉至更強的設定值，時間持續約 7 小時。  
→ 「設定冷藏室溫度」，頁次30

## 8.4 OK 標籤

利用 OK 標籤（確定），可檢查冷藏室是否達到所建議的食品安全溫度範圍 +4 °C 以下。  
並非所有機型都擁有 OK 標籤。  
若標籤未顯示 OK，應將溫度逐步降低。

→ 「設定冷藏室溫度」，頁次30  
啟動機器後，至少需持續運轉 12 個小時，才能達到設定的溫度為止。



正確設定

---

## 9 除霜

### 9.1 冷藏室除霜

視功能而定，冷藏室背板會隨著機器運轉而形成露珠或結霜。冷藏室背板會自動除霜。

冷凝水或霜層會經由冷凝水導槽進入排水孔，然後抵達蒸發盤，不需擦拭。為讓冷凝水能順利排出並且避免產生異味，請注意以下資訊：

→ 「清潔冷凝水排放通道和排水孔」，頁次31。

---

## 10 清潔和保養

為了讓電器長時間保持功能順暢，請仔細清潔和保養。

無法接近的地方必須由客戶服務清潔。由客戶服務清潔可能需要收費。

## 10.1 不鏽鋼表面保養說明

請僅使用適合不鏽鋼的清潔劑和不銹鋼清潔布來清潔和保養不銹鋼表面。

### 建議

- 請沿不鏽鋼表面的結構方向擦拭，以避免明顯的刮痕。
- 合適的清潔劑和清潔布請向本公司客戶服務、當地經銷商或到本公司網站購買。

## 10.2 清潔機器的事前準備工作

1. 關掉電源。 → 頁次29
2. 切斷機器的電源。  
拔除電源線插頭或關閉保險絲盒中的保險絲。
3. 取出所有食物，放在陰涼處。  
若有冰寶，請將它放在食物上。
4. 取出本電器中的所有配備零件和配件。 → 頁次31

## 10.3 清潔機器

### 警告 觸電風險！

濕氣滲入可能會導致觸電。

- ▶ 請勿使用蒸氣清潔機、高壓清潔機清潔本機。

照明設備或控制元件內若含有水氣，可能導致危險。

- ▶ 洗滌水不得接觸到照明設備或控制元件。

### 注意！

不合適的清潔劑會損壞機器表面。

- ▶ 請勿使用硬質百潔布或清潔海綿。
- ▶ 請勿使用腐蝕性或磨蝕性的清潔劑。
- ▶ 請勿使用酒精含量高的清潔劑。
- ▶ 請勿使用不鏽鋼清潔劑清潔電器外側。

若有液體流入排水孔，可能導致蒸發盤溢流。

- ▶ 切勿讓洗滌水流進排水孔。

若用洗碗機清洗配件和附件，它們可能因此變形或褪色。

- ▶ 切勿用洗碗機清洗配件和附件。

1. 為機器進行清潔的事前準備工作。  
→ 頁次31
2. 請用抹布、溫水和一些中性清潔劑來清潔電器、配備零件、配件和電器門密封件。
3. 請用柔軟乾布再徹底擦乾一遍。
4. 裝入配件。
5. 接駁機器的電源。 → 頁次28
6. 放入食物。

## 10.4 清潔冷凝水排放通道和排水孔

為讓冷凝水能順利排出，請定期清潔冷凝水排放通道和排水孔。

1. 取下抽拉式儲存盒。 → 頁次31
2. 請用棉花棒小心清潔冷凝水排放通道和排水孔。  
→ 圖 4

## 10.5 清潔通風格柵

1. 清潔時，請拆下外部通風格柵。  
– 將通風口的固定夾往下按壓，同時將外部通風格柵往前拔下。  
→ 圖 5
2. 請用抹布及溫水清潔外部通風格柵。
3. 將外部通風格柵完全晾乾後再裝回。

## 10.6 取出配件

若想要徹底將配件清潔乾淨，請將它取出至機外。

### 取出層架

- ▶ 將層架抬高、往前抽出、側向翻轉  
① 然後取下塞子 ②。  
→ 圖 6


### 取出門邊置物架

- ▶ 抬起門邊置物架然後取出。  
→ 圖 7

### 取出抽拉式存放盒

- ▶ 抬高並取出抽拉式存放盒。  
→ 圖 8

## 取出含蓋蔬果盒

- ▶ 將蔬果盒的上蓋往上掀 ① 然後將含蓋蔬果盒往前取出 ②。  
→  9





## 11 排除故障

電器上發生的輕微故障，大多可以自行解決。聯絡客戶服務之前，請先利用故障排除資訊嘗試自行解決問題。如此可避免不必要的開銷。

### 警告 觸電風險!

維修不當可能發生危險。

- ▶ 只許由合資格的專業人員維修電器。
- ▶ 僅限使用原廠耗材維修電器。
- ▶ 若本電器的電線損壞，必須交由製造商或其客戶服務或具有類似資格的專業人員更換，以避免發生危險。

故障	原因及疑難排解
LED 照明不亮。	<p>照明裝置故障。</p> <ol style="list-style-type: none"> <li>1. 關機。→ 頁次29</li> <li>2. 請切斷設備電源。 拔除電線插頭或關閉保險絲盒中的保險絲。</li> <li>3. 將照明裝置蓋板往左取下。 →  10</li> <li>4. 更換照明裝置。 照明裝置替換品：220-240 V 交流電，插座 E14，瓦特數請參見故障照明裝置上的數據。</li> </ol>
	<p>燈光開關被卡住。</p> <ul style="list-style-type: none"> <li>▶ 請查看照明開關是否可移動。</li> </ul> <p>→  11</p>
冷藏室底部潮溼。	<p>冷凝水排放通道或排水孔堵塞。</p> <ul style="list-style-type: none"> <li>▶ 請清潔冷凝水排放通道和排水孔。→ 頁次31</li> </ul>
本裝置發出低鳴聲、冒泡聲、類似摩打迴旋、液體潺流或輕敲的聲音。	<p>並非故障。壓縮機正在運轉，例如冷凍機組、風扇。冷媒流過冷媒管路的聲音。壓縮機、開關或電磁閥正在啟動或關掉。 無需採取任何處理。</p>
裝置發出異聲。	<p>配件鬆動或卡死。</p> <ul style="list-style-type: none"> <li>▶ 請檢查所有可取出的配件，必要時請重新插入。</li> </ul>
	<p>瓶子或容器互相碰撞。</p> <ul style="list-style-type: none"> <li>▶ 請移動瓶罐，使之分開。</li> </ul>

## 12 存放和廢棄處理

### 12.1 將本機停止運轉

1. 關掉電源。→ 頁次29
2. 切斷機器的電源。  
拔除電源線插頭或關閉保險絲盒中的保險絲。
3. 取出所有食物。
4. 清潔裝置。→ 頁次31
5. 為確保內部通風，請讓電器保持打開。

### 12.2 舊機處理

舊機本身含有一些有用的原料，透過環保的方式加以處理可回收再利用。

#### 警告

**危害健康的風險!**

孩童有可能將自己鎖進洗碗碟機內，造成生命的危險。

- ▶ 請勿取出層板和抽屜，以防止孩童爬入冰箱內。
- ▶ 讓確保孩童遠離報廢的舊機。

#### 警告

**火災風險!**

若是管路損壞，則易燃冷媒及有害氣體可能會因外洩而自燃。

- ▶ 請勿損壞冷媒迴路的配管及絕緣體。

1. 拔除電源線插頭。
2. 剪斷電源線。
3. 請以環保的方式廢棄本電器。  
關於現行廢棄物處理的相關資訊，請向經銷商及當地或市政管理單位查詢。

## 13 客戶服務

按照相關的生態設計條例，在機器上市後，可向本公司的客戶服務購買功能相關的原廠備件，銷售時間至少持續10年。

有關您所在國家/地區的保養期和保養條款的詳細資訊，請向本公司的客戶服務、經銷商或本公司網站查詢。聯絡客戶服務時，需要提供機器的產品編號（E-Nr.）和生產編號（FD）。可在隨附的客戶服務目錄或本公司的網站查看客戶服務聯絡資料。

### 13.1 產品編號（E-Nr.）和生產編號（FD）

可在機器的家電銘牌上查看產品編號（E-Nr.）和生產編號（FD）。

→  1 / 4

如需快速重複查看機器資料和客戶服務電話號碼，可將資料加以記錄。

## 14 技術資料

冷媒、淨容量以及進一步技術資料均載於家電銘牌。

→  1 / 4

有關進一步的型號資訊，請前往網站 [www.bosch-home.com/energylabel](http://www.bosch-home.com/energylabel)。然後依照型號搜尋的指示說明操作。型號編碼來自型號銘板上產品編號（E-Nr.）斜線前的字元。或者也可以在能源標章的第一行中找到型號編碼。





## Thank you for buying a Bosch Home Appliance!

Register your new device on MyBosch now and profit directly from:

- **Expert tips & tricks for your appliance**
- **Warranty extension options**
- **Discounts for accessories & spare-parts**
- **Digital manual and all appliance data at hand**
- **Easy access to Bosch Home Appliances Service**

Free and easy registration – also on mobile phones:

**[www.bosch-home.com/welcome](http://www.bosch-home.com/welcome)**



## Looking for help? You'll find it here.

Expert advice for your Bosch home appliances, help with problems or a repair from Bosch experts.

Find out everything about the many ways Bosch can support you:

**[www.bosch-home.com/service](http://www.bosch-home.com/service)**

Contact data of all countries are listed in the attached service directory.

**BSH Hausgeräte GmbH**

Carl-Wery-Straße 34

81739 München, GERMANY

[www.bosch-home.com](http://www.bosch-home.com)

A Bosch Company



**9001735062** (020620)

en, zh-hk