



**BOSCH**

**Register** your  
new device on  
MyBosch now and  
get free benefits:  
[bosch-home.com/  
welcome](https://bosch-home.com/welcome)



# Extractor hood

**DWB67JP50**  
**DWB68JQ50B**

**DWB97JP50**  
**DWB97JQ55**

**DWB98JQ50**

**DWB98JQ50B**

**DWB68JQ50**

[en] User manual and installation instructions

# Table of contents

## INFORMATION FOR USE

1	<b>Safety</b> .....	2
2	<b>Avoiding material damage</b> .....	4
3	<b>Environmental protection and saving energy</b> .....	5
4	<b>Operating modes</b> .....	5
5	<b>Familiarising yourself with your appliance</b> .....	6
6	<b>Basic operation</b> .....	6
7	<b>Cleaning and servicing</b> .....	8
8	<b>Troubleshooting</b> .....	9
9	<b>Disposal</b> .....	10
10	<b>Customer Service</b> .....	10
11	<b>Accessories</b> .....	10
12	<b>INSTALLATION INSTRUCTIONS</b> .....	11
12.3	<b>Secure installation</b> .....	12

provided that they are supervised or have been instructed on how to use the appliance safely and have understood the resulting dangers.

Do not let children play with the appliance. Children must not perform cleaning or user maintenance unless they are at least 15 years old and are being supervised.

Keep children under the age of 8 years away from the appliance and power cable.

### 1.4 Safe use

#### **WARNING – Risk of suffocation!**

Children may put packaging material over their heads or wrap themselves up in it and suffocate.

- ▶ Keep packaging material away from children.
- ▶ Do not let children play with packaging material.

Children may breathe in or swallow small parts, causing them to suffocate.

- ▶ Keep small parts away from children.
- ▶ Do not let children play with small parts.

## 1 Safety

Observe the following safety instructions.

### 1.1 General information

- Read this instruction manual carefully.
- Keep the instruction manual and the product information safe for future reference or for the next owner.
- Do not connect the appliance if it has been damaged in transit.

### 1.2 Intended use

Only use this appliance:

- For extracting cooking vapour.
- In private households and in enclosed spaces in a domestic environment.
- Up to an altitude of max. 2000 m above sea level.

Do not use the appliance:

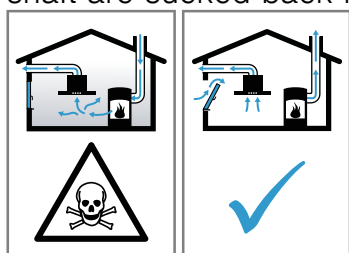
- With an external timer.

### 1.3 Restriction on user group

This appliance may be used by children aged 8 or over and by people who have reduced physical, sensory or mental abilities or inadequate experience and/or knowledge,

### **⚠ WARNING – Risk of poisoning!**

Risk of poisoning from flue gases being drawn back in. Room-air-dependent heat-producing appliances (e.g. gas, oil, wood or coal-operated heaters, continuous flow heaters or water heaters) obtain combustion air from the room in which they are installed and discharge the exhaust gases into the open through an exhaust gas system (e.g. a chimney). With the extractor hood switched on, air is extracted from the kitchen and the adjacent rooms. Without an adequate supply of air, the air pressure falls below atmospheric pressure. Toxic gases from the flue or the extraction shaft are sucked back into the living space.



- ▶ Always ensure adequate fresh air in the room if the appliance is being operated in exhaust air mode at the same time as a room-air-dependent heat-producing appliance is being operated.
- ▶ It is only possible to safely operate the appliance if the pressure in the room in which the heating appliance is installed does not drop more than 4 Pa (0.04 mbar) below atmospheric pressure. This can be achieved whenever the air needed for combustion is able to enter through openings that cannot be sealed, for example in doors, windows, incoming/exhaust air wall boxes or by other technical means. An incoming/exhaust air wall box alone does not ensure compliance with the limit.
- ▶ In any case, consult your responsible chimney sweep. They are able to assess the house's entire ventilation setup and will suggest the suitable ventilation measures to you.
- ▶ Unrestricted operation is possible if the appliance is operated exclusively in circulating-air mode.

### **⚠ WARNING – Risk of fire!**

Fatty deposits in the grease filters may catch fire.

- ▶ Never operate the appliance without a grease filter.
- ▶ Clean the grease filters regularly.
- ▶ Never work with naked flames close to the appliance (e.g. flambéing).
- ▶ Do not install the appliance near a solid fuel heating appliance (e.g. wood- or coal-burning) unless the heating appliance has a sealed, non-removable cover. There must be no flying sparks.

Hot oil or grease ignites very quickly.

- ▶ Always supervise hot oil and fat.
- ▶ Never extinguish burning oil or fat with water. Switch off the cooking zone. Extinguish flames carefully using a lid, fire blanket or something similar.

When gas burners are in operation without any cookware placed on them, they can build up a lot of heat. A ventilation appliance installed above the cooker may become damaged or catch fire.

- ▶ Only operate the gas burners with cookware on them.

Operating multiple gas hobs at the same time generates a great deal of heat. A ventilation appliance installed above the cooker may become damaged or catch fire.

- ▶ Only operate the gas hobs with cookware on them.
- ▶ Select the highest fan setting.
- ▶ Never operate two gas hobs simultaneously on the highest flame for longer than 15 minutes. Two gas hobs correspond to one large burner.
- ▶ Never operate large burners of more than 5 kW with the highest flame for longer than 15 minutes, e.g. a wok.

### **⚠ WARNING – Risk of burns!**

The accessible parts of the appliance become hot during operation.

- ▶ Never touch these hot parts.
- ▶ Keep children at a safe distance.

The appliance becomes hot during operation.

- ▶ Allow the appliance to cool down before cleaning.

**⚠ WARNING – Risk of injury!**

Components inside the appliance may have sharp edges.

► Carefully clean the appliance interior. Items placed on the appliance may fall off. Changes to the electrical or mechanical assembly are dangerous and may lead to malfunctions.

► Do not make any changes to the electrical or mechanical assembly.

The light emitted by LED lights is very dazzling, and can damage the eyes (risk group 1).

► Do not look directly into the switched-on LED lights for longer than 100 seconds.

**⚠ WARNING – Risk of electric shock!**

If the appliance or the power cord is damaged, this is dangerous.

► Never operate a damaged appliance.  
► Never pull on the power cord to unplug the appliance. Always unplug the appliance at the mains.

► If the appliance or the power cord is damaged, immediately unplug the power cord or switch off the fuse in the fuse box.

► Call customer services. → *Page 10*

Incorrect repairs are dangerous.

► Repairs to the appliance should only be carried out by trained specialist staff.  
► Only use genuine spare parts when repairing the appliance.  
► If the power cord of this appliance is damaged, it must be replaced by the manufacturer, the manufacturer's Customer Service or a similarly qualified person in order to prevent any risk.

An ingress of moisture can cause an electric shock.

► Before cleaning, pull out the mains plug or switch off the fuse in the fuse box.  
► Do not use steam- or high-pressure cleaners to clean the appliance.

**⚠ WARNING – Risk of explosion!**

Highly caustic alkaline or highly acidic cleaning agents in conjunction with aluminium parts in the interior of the appliance may cause explosions.

► Never use highly caustic alkaline or highly acidic cleaning agents. In particular, do not use commercial or industrial cleaning agents in conjunction with aluminium parts, e.g. grease filter on extractor hoods.

**⚠ WARNING – Risk of fire!**

Fatty deposits in the grease filters may catch fire.

► Clean the grease filters regularly.

**⚠ WARNING – Risk of injury!**

Improper repairs are dangerous.

► Repairs to the appliance should only be carried out by trained specialist staff.  
► If the appliance is defective, call Customer Service.

**⚠ WARNING – Risk of electric shock!**

Penetrating moisture may cause an electric shock.

► Do not use wet sponge cloths.

---

## 2 Avoiding material damage

**ATTENTION!**

Condensate may cause corrosion damage.

► To prevent condensation from building up, switch on the appliance during cooking.

If moisture gets into the controls, this may result in damage.

► Never clean controls with a wet cloth.

Incorrect cleaning damages the surfaces.

► Follow the cleaning instructions.  
► Do not use harsh or abrasive detergents.  
► Clean stainless steel surfaces in the direction of the finish only.  
► Never clean controls with stainless steel cleaners.

Condensation that flows back in may damage the appliance.

► The air extraction duct must be installed with a gradient of at least 1° from the appliance.

If you put incorrect stress on the design elements, they may break off.

► Do not pull design elements.  
► Do not place objects on the design elements or hang objects from them.

There is a risk of surface damage if you do not peel off the protective film.

► Remove the protective film from all parts of the appliance before using for the first time.

Painted surfaces are easily damaged.

- ▶ Follow the cleaning instructions.  
→ "Cleaning the appliance", Page 8
- ▶ Ensure that the painted surfaces are not scratched.

## 3 Environmental protection and saving energy

### 3.1 Disposing of packaging

The packaging materials are environmentally compatible and can be recycled.

- ▶ Sort the individual components by type and dispose of them separately.

### 3.2 Saving energy

If you follow these instructions, your appliance will use less power.

Adjust the fan speed to the amount of steam produced during cooking.

- The lower the fan speed, the less energy is consumed.  
Only use the intensive mode as required.

If cooking produces large amounts of steam, select a higher fan speed in good time.

- The odours are distributed around the room less.

Switch off the lighting if it is no longer required.

- When the lighting is switched off, it does not consume any energy.

Clean or replace the filters at regular intervals.

- The effectiveness of the filter is retained.

Put the cooking lid on.

- The cooking vapours and condensation are reduced.

Only use the additional functions if required.

- Switching off additional functions reduces power consumption.

## 4 Operating modes

You can use your appliance in air extraction mode or circulating-air mode.

### 4.1 Air extraction mode

The air which is drawn in is cleaned by the grease filters and conveyed to the exterior by a pipe system.



The air must not be discharged into a flue that is used for exhausting fumes from appliances burning gas or other fuels (not applicable to appliances that only discharge the air back into the room).

- If the exhaust air is to be conveyed into a non-functioning smoke or exhaust gas flue, you must obtain the consent of the heating engineer responsible.
- If the exhaust air is conveyed through the external wall, a telescopic duct should be used.

### 4.2 Air recirculation mode

The air which is drawn in is cleaned by the grease filters and an odour filter, and conveyed back into the room.



To bind odours in circulating-air mode, you must install an odour filter. The different options for operating the appliance in circulating-air mode can be found in our catalogue. Alternatively, ask your dealer. The required accessories are available from specialist retailers, from customer service or from the Online Shop.

## 5 Familiarising yourself with your appliance

### 5.1 Control panel, variant 1

You can use the control panel to configure all functions of your appliance and to obtain information about the operating status.



ⓘ	Switching the appliance on or off
1	Switching on fan setting 1
2	Switching on fan setting 2
3	Switching on fan setting 3
boost ^	Switching on intensive mode 1

power boost ^	Switching on intensive mode 2
⌚	Switching the fan run-on on or off
⊙	Resetting the filter saturation indicator
💡	Switching the lighting on or off Setting the brightness

### 5.2 Control panel, variant 2

You can use the control panel to configure all functions of your appliance and to obtain information about the operating status.



ⓘ	Switching the appliance on or off
1	Switching on fan setting 1
2	Switching on fan setting 2
3	Switching on fan setting 3
boost ^	Switching on intensive mode 1
power boost ^	Switching on intensive mode 2

⌚	Switching the fan run-on on or off
⊙	Switching automatic mode on or off
⊙	Resetting the grease filter saturation indicator
⊙	Resetting the odour filter saturation indicator
💡	Switching the lighting on or off Setting the brightness

## 6 Basic operation

### 6.1 Switching on the appliance

- ▶ Press ⓘ.
- ✓ The appliance starts at fan setting 2.

### 6.2 Switching off the appliance

- ▶ Press ⓘ.

### 6.3 Selecting a fan setting

- ▶ Press 1, 2 or 3.

### 6.4 Switching on intensive mode

If particularly strong odours or vapours develop, you can use intensive mode.


1. Press **boost ^** to switch on the intensive setting 1.
2. In order to switch on the intensive setting 2, press **power boost ^**.
  - ✓ After approx. 6 minutes, the appliance automatically switches to fan setting 3.

### 6.5 Switching off intensive mode

- ▶ Press 1, 2 or 3.

## 6.6 Switching on the fan run-on

During the fan run-on, the appliance continues to run for a short time and then switches off automatically.

- ▶ Press 
- ✓ The fan run-on starts at fan setting 1.
- ✓ The appliance switches off automatically after approx. 10 minutes.

## 6.7 Switching off the fan run-on

- ▶ Press 

## 6.8 Switching on automatic mode<sup>1</sup>

The optimum fan setting is set automatically using a sensor.

- ▶ Press 

## 6.9 Switching off automatic mode<sup>1</sup>

- ▶ Press 1, 2 or 3.
- ✓ The ventilation is automatically ended when the sensor detects no further change in the room air quality.
- ✓ Automatic mode runs for a maximum of four hours.


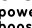
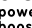

## 6.10 Sensor control<sup>1</sup>

In automatic mode, a sensor in the appliance detects the intensity of the cooking and roasting fumes. Depending on the setting of the sensor sensitivity, the optimum fan setting is automatically switched on. If the sensor control system reacts too weakly or too strongly, the setting for the sensor sensitivity may change.

- Factory setting: 3
- Lowest setting: 1
- Highest setting: 5

## 6.11 Setting the sensor control



**Requirement:** The appliance is switched off.

1. Press and hold .
  - ✓ The setting is displayed after approx. one second.
2. Press 1, 2, 3, **boost**  or **power boost**  to change the setting.
3. Release  to save the setting.

## 6.12 Resetting the saturation indicator\_variant 1

After cleaning the grease filter or after changing the odour filter, the saturation indicator can be reset.

### Requirements





- After the appliance has been switched off,  and 1 appears on the display for the grease filter.
- After the appliance has been switched off,  and 2 appears on the display for the odour filter.

- ▶ Press .
- ✓ The saturation indicator is reset.

## 6.13 Resetting the saturation indicator\_variant 2

After cleaning the grease filter or after changing the odour filter, the saturation indicator can be reset.



### Requirements

- After the appliance has been switched off,  and 1 appears on the display for the grease filter.
  - After the appliance has been switched off,  and 1 appears on the display for the odour filter.
1. To reset the saturation indicator for the grease filter, press .
  2. To reset the saturation indicator for the odour filter, press .
- ✓ The saturation indicator is reset.

## 6.14 Setting the saturation indicator

The saturation indicator must be adjusted depending on the filter used.

**Requirement:** The appliance is switched off.


1. Press and hold **power boost** .
  - To set circulating-air mode (non-regenerative filter), press 2.
  - To set circulating-air mode (regenerative filter), press 3.
  - To set air extraction mode, press 1.
2. Release **power boost**  to save the setting.

## 6.15 Switching on the lighting

The lighting can be switched on and off independently of the ventilation system.


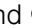
- ▶ Press .

## 6.16 Setting the brightness

- ▶ Press and hold  until the required brightness is reached.


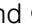
## 6.17 Switching on the audible signal

**Requirement:** The appliance is switched off.

- ▶ Press and hold  and  at the same time for approx. three seconds until a signal sounds.

## 6.18 Switching off the signal tone

**Requirement:** The appliance is switched off.

- ▶ Press and hold  and  at the same time for approx. 3 seconds.
- ✓ A signal tone will sound.

<sup>1</sup> Depending on the appliance specifications

## 7 Cleaning and servicing

To keep your appliance working efficiently for a long time, it is important to clean and maintain it carefully.

### 7.1 Cleaning products

You can obtain suitable cleaning products from after-sales service or the online shop.

#### **ATTENTION!**

Unsuitable cleaning products may damage the surfaces of the appliance.

- ▶ Do not use harsh or abrasive detergents.
- ▶ Do not use cleaning products with a high alcohol content.
- ▶ Do not use hard scouring pads or cleaning sponges.
- ▶ Only use glass cleaners, glass scrapers or stainless steel care products if recommended in the cleaning instructions for the relevant part.
- ▶ Wash sponge cloths thoroughly before use.

### 7.2 Cleaning the appliance

Clean the appliance as specified. This will ensure that the different parts and surfaces of the appliance are not damaged by incorrect cleaning or unsuitable cleaning products.

#### **⚠ WARNING – Risk of explosion!**

Highly caustic alkaline or highly acidic cleaning agents in conjunction with aluminium parts in the interior of the appliance may cause explosions.

- ▶ Never use highly caustic alkaline or highly acidic cleaning agents. In particular, do not use commercial or industrial cleaning agents in conjunction with aluminium parts, e.g. grease filter on extractor hoods.

#### **⚠ WARNING – Risk of electric shock!**

An ingress of moisture can cause an electric shock.

- ▶ Before cleaning, pull out the mains plug or switch off the fuse in the fuse box.
- ▶ Do not use steam- or high-pressure cleaners to clean the appliance.

#### **⚠ WARNING – Risk of burns!**

The appliance becomes hot during operation.

- ▶ Allow the appliance to cool down before cleaning.

#### **⚠ WARNING – Risk of injury!**

Components inside the appliance may have sharp edges.

- ▶ Carefully clean the appliance interior.

1. Observe the information regarding the cleaning agents.
2. Clean as follows, depending on the surface:
  - Clean stainless steel surfaces in the direction of the finish using a sponge cloth and hot soapy water.
  - Clean painted surfaces using a damp sponge cloth and hot soapy water.
  - Clean aluminium using a soft cloth and glass cleaner.

- Clean plastic using a soft cloth and glass cleaner.
  - Clean glass using a soft cloth and glass cleaner.
3. Dry with a soft cloth.
  4. Apply a thin layer of the stainless steel cleaning product to stainless steel surfaces using a soft cloth.  
You can obtain stainless steel cleaning products from the after-sales service or the online shop.

### 7.3 Cleaning controls

#### **⚠ WARNING – Risk of electric shock!**

Penetrating moisture may cause an electric shock.

- ▶ Do not use wet sponge cloths.
1. Observe the information regarding the cleaning agents.
  2. Clean using a damp sponge cloth and hot soapy water.
  3. Dry with a soft cloth.

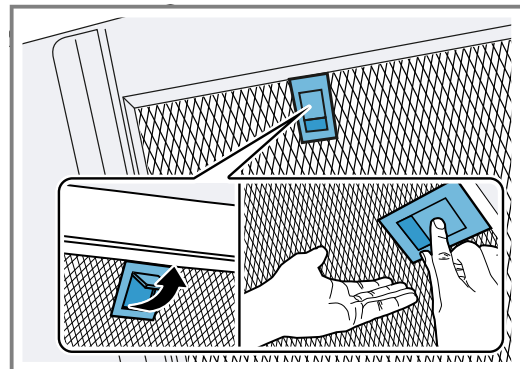
### 7.4 Removing the grease filter

#### 1. **ATTENTION!**

Falling grease filters may damage the hob below.

- ▶ Grip below the grease filter with one hand.

Open the lock on the grease filter and fold down the grease filter.



2. Remove the grease filters from the holders. To prevent grease from dripping, hold the grease filter horizontally.

### 7.5 Cleaning grease filters manually

The grease filters filter the grease from the cooking vapour. Regularly cleaned grease filters guarantee a high level of grease removal. We recommend cleaning the grease filters every two months.

#### **⚠ WARNING – Risk of fire!**

Fatty deposits in the grease filters may catch fire.

- ▶ Clean the grease filters regularly.

**Requirement:** The grease filters have been removed.

1. Observe the information regarding the cleaning agents.
2. Soak the grease filter in hot soapy water. Use special grease solvent for stubborn dirt. You can obtain grease solvents from after-sales service or the online shop.



3. Use a brush to clean the grease filters.
4. Rinse the grease filters thoroughly.
5. Allow the grease filters to drain.

## 7.6 Cleaning grease filters in the dishwasher

The grease filters filter the grease from the cooking vapour. Regularly cleaned grease filters guarantee a high level of grease removal. We recommend cleaning the grease filters every two months.

### **⚠ WARNING – Risk of fire!**

Fatty deposits in the grease filters may catch fire.

- ▶ Clean the grease filters regularly.

### **ATTENTION!**

The grease filters may become damaged if they are squeezed.

- ▶ Do not squeeze the grease filters.

**Note:** When cleaning the grease filter in the dishwasher, light discolouration may occur. This discolouration has no effect on the performance of the metal grease filters.

**Requirement:** The grease filters have been removed.

1. Observe the information regarding the cleaning agents.
2. Place the grease filters loosely into the dishwasher. Do not clean heavily soiled grease filters with utensils. Use special grease solvent for stubborn dirt. You can obtain grease solvents from after-sales service or the online shop.
3. Start the dishwasher. Select a temperature of no more than 70 °C.
4. Allow the grease filters to drain.

## 7.7 Fitting the grease filters

### 1. **ATTENTION!**

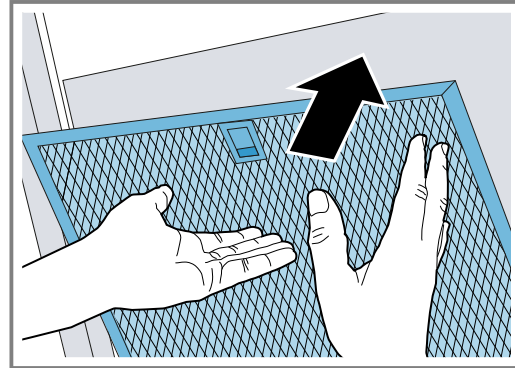
Falling grease filters may damage the hob below.

- ▶ Grip below the grease filter with one hand.

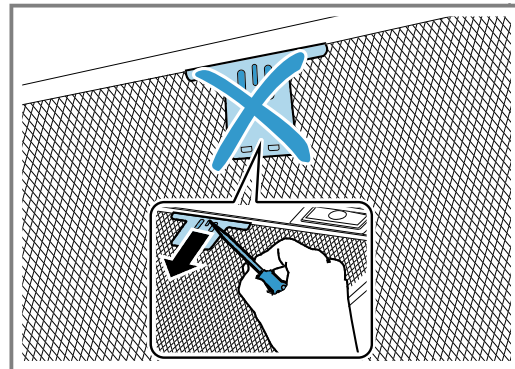
**Note:** Note the correct position of the grease filter.

Insert the grease filter.

2. The lock on the grease filter clicks into place.



3. If the grease filter has been inserted incorrectly, carefully push the lock forwards, remove the grease filter and insert it correctly.



# 8 Troubleshooting

You can rectify minor faults on your appliance yourself. Read the troubleshooting information before contacting after-sales service. This will avoid unnecessary costs.

### **⚠ WARNING – Risk of injury!**

Improper repairs are dangerous.

- ▶ Repairs to the appliance should only be carried out by trained specialist staff.
- ▶ If the appliance is defective, call Customer Service.

### **⚠ WARNING – Risk of electric shock!**

Incorrect repairs are dangerous.

- ▶ Repairs to the appliance should only be carried out by trained specialist staff.
- ▶ Only use genuine spare parts when repairing the appliance.
- ▶ If the power cord of this appliance is damaged, it must be replaced by the manufacturer, the manufacturer's Customer Service or a similarly qualified person in order to prevent any risk.

## 8.1 Malfunctions

Fault	Cause and troubleshooting
The appliance is not working.	The mains plug of the power cord is not plugged in. <ul style="list-style-type: none"> <li>▶ Connect the appliance to the power supply.</li> </ul>
	The circuit breaker in the fuse box has tripped. <ul style="list-style-type: none"> <li>▶ Check the circuit breaker in the fuse box.</li> </ul>
	There has been a power cut. <ul style="list-style-type: none"> <li>▶ Check whether the lighting in your kitchen or other appliances are working.</li> </ul>

Fault	Cause and troubleshooting
The LED lighting does not work.	Different causes are possible. <ul style="list-style-type: none"> <li>▶ Defective LED lights may be replaced by the manufacturer, their customer service or a qualified technician (electrician) only.</li> <li>▶ Call the after-sales service. → "Customer Service", Page 10</li> </ul>
The button illumination does not work.	The control unit is faulty. <ul style="list-style-type: none"> <li>▶ Call the after-sales service. → "Customer Service", Page 10</li> </ul>

## 9 Disposal

### 9.1 Disposing of old appliance

Valuable raw materials can be reused by recycling.

1. Unplug the appliance from the mains.
2. Cut through the power cord.
3. Dispose of the appliance in an environmentally friendly manner.  
Information about current disposal methods are available from your specialist dealer or local authority.



This appliance is labelled in accordance with European Directive 2012/19/EU concerning used electrical and electronic appliances (waste electrical and electronic equipment - WEEE). The guideline determines the framework for the return and recycling of used appliances as applicable throughout the EU.

## 10 Customer Service

Function-relevant genuine spare parts according to the corresponding Ecodesign Order can be obtained from Customer Service for a period of at least 10 years from the date on which your appliance was placed on the market within the European Economic Area.

**Note:** Under the terms of the manufacturer's warranty the use of Customer Service is free of charge.

Detailed information on the warranty period and terms of warranty in your country is available from our after-sales service, your retailer or on our website. If you contact Customer Service, you will require the product number (E-Nr.) and the production number (FD) of your appliance.

The contact details for Customer Service can be found in the enclosed Customer Service directory or on our website.

### 10.1 Product number (E-Nr.) and production number (FD)

You can find the product number (E-Nr.) and the production number (FD) on the appliance's rating plate. Depending on the model, the rating plate can be found:

- Inside the appliance (remove grease filters for access).
- On top of the appliance.

Make a note of your appliance's details and the Customer Service telephone number to find them again quickly.

## 11 Accessories

You can buy accessories from the after-sales service, from specialist retailers or online. Only use original accessories, as these have been specifically designed for your appliance.

Accessories vary from one appliance to another. When purchasing accessories, always quote the exact product number (E no.) of your appliance. → Page 10 You can find out which accessories are available for your appliance in our catalogue, in the online shop or from our after-sales service.  
www.bosch-home.com

Accessories	Order number
Clean Air Standard recirculation kit – narrow, 260 mm	DWZ1CB1I4
Clean Air Standard recirculation kit – wide, 345 mm	DWZ2CB1I4
Clean Air Standard odour filter – narrow, 260 mm	DZZ1CX1B4
Clean Air Standard odour filter – wide, 345 mm	DZZ2CB1B4

Accessories	Order number
Clean Air Standard recirculation kit, external – narrow, 260 mm	DSZ6200
Clean Air Standard recirculation kit, external – wide, 345 mm	DSZ6240

Accessories	Order number
Clean Air Standard odour filter (replacement)	DSZ5201
Long Life odour filter (need for replacement)	DZZ0XX0P0
Clean Air recirculation kit	DWZ0XX0I5
Long Life recirculation kit	DWZ0XX0J5

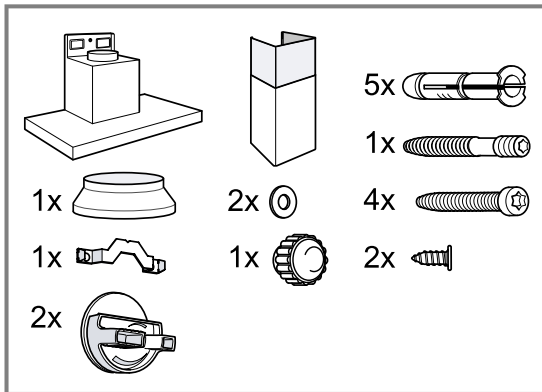
## 12 Installation instructions

Observe this information when installing the appliance.



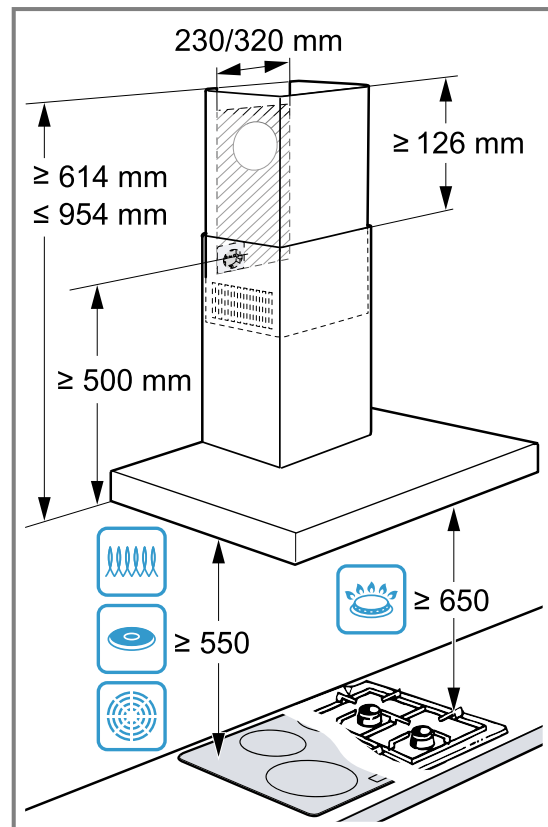
### 12.1 Scope of delivery

After unpacking all parts, check for any damage in transit and completeness of the delivery.



### 12.2 Safety clearances

Comply with the safety clearances for the appliance.



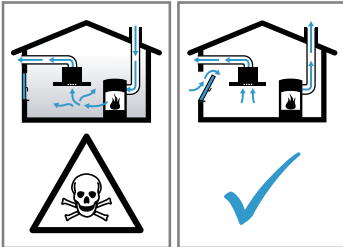
For Australia and New Zealand the minimum safety clearance above electrical cooktops must be 600 mm.

### 12.3 Secure installation

Follow these safety instructions when installing the appliance.

#### **WARNING – Risk of poisoning!**

Risk of poisoning from flue gases being drawn back in. Room-air-dependent heat-producing appliances (e.g. gas, oil, wood or coal-operated heaters, continuous flow heaters or water heaters) obtain combustion air from the room in which they are installed and discharge the exhaust gases into the open through an exhaust gas system (e.g. a chimney). With the extractor hood switched on, air is extracted from the kitchen and the adjacent rooms. Without an adequate supply of air, the air pressure falls below atmospheric pressure. Toxic gases from the flue or the extraction shaft are sucked back into the living space.



- ▶ Always ensure adequate fresh air in the room if the appliance is being operated in exhaust air mode at the same time as a room-air-dependent heat-producing appliance is being operated.
- ▶ It is only possible to safely operate the appliance if the pressure in the room in which the heating appliance is installed does not drop more than 4 Pa (0.04 mbar) below atmospheric pressure. This can be achieved whenever the air needed for combustion is able to enter through openings that cannot be sealed, for example in doors, windows, incoming/exhaust air wall boxes or by other technical means. An incoming/exhaust air wall box alone does not ensure compliance with the limit.
- ▶ In any case, consult your responsible chimney sweep. They are able to assess the house's entire ventilation setup and will suggest the suitable ventilation measures to you.
- ▶ Unrestricted operation is possible if the appliance is operated exclusively in circulating-air mode.

Risk of poisoning from flue gases being drawn back in.

- ▶ If an extractor hood with an open-flued heat production source is installed, the power supply for the extractor hood must be provided with a suitable safety switch.

Risk of poisoning from flue gases being drawn back in.

- ▶ Do not emit the exhaust air into a smoke or exhaust gas flue that is in operation.
- ▶ Do not emit the exhaust air into a shaft that is used to ventilate installation rooms for heat-producing appliances.
- ▶ If the exhaust air is to be conveyed into a smoke or exhaust gas flue, you must obtain the consent of the heating engineer responsible.

#### **WARNING – Risk of suffocation!**

Children may put packaging material over their heads or wrap themselves up in it and suffocate.

- ▶ Keep packaging material away from children.
- ▶ Do not let children play with packaging material.

#### **WARNING – Risk of fire!**

Grease deposits in the grease filter may catch fire.

- ▶ The specified safety clearances must be complied with in order to prevent a build-up of heat.
- ▶ Observe the specifications for your cooking appliances. If the installation instructions for the cooking appliances specify a different clearance, the larger of the two must always be provided for. If gas hobs and electric hobs are operated together, the largest specified clearance applies.
- ▶ The appliance must be installed with no more than one side directly next to a high-sided unit or a wall. The distance between the appliance and wall or high-sided unit must be at least 50 mm.

The grease deposits in the grease filter may catch fire.

- ▶ Never work with naked flames close to the appliance (e.g. flambéing).
- ▶ Do not install the appliance near a heat-producing appliance for solid fuel (e.g. wood or coal) unless a closed, non-removable cover is present. There must be no flying sparks.

### **⚠ WARNING – Risk of injury!**

Components inside the appliance may have sharp edges.

- ▶ Wear protective gloves.

The appliance may fall down if it has not been properly fastened in place.

- ▶ All fastening components must be fixed firmly and securely in place.

The appliance is heavy.

- ▶ To move the appliance, two people are required.
- ▶ Use only suitable tools and equipment.

The appliance is heavy.

- ▶ The appliance must not be fitted directly onto plasterboard or similar lightweight materials.
- ▶ To ensure correct installation, you must use a material which is sufficiently stable and suitable for both the structural conditions and the weight of the appliance.

Changes to the electrical or mechanical assembly are dangerous and may lead to malfunctions.

- ▶ Do not make any changes to the electrical or mechanical assembly.

### **⚠ WARNING – Risk of electric shock!**

Sharp-edged components inside the appliance may damage the connecting cable.

- ▶ Do not kink or trap the connecting cable.

If the appliance or the power cord is damaged, this is dangerous.

- ▶ Never operate a damaged appliance.
- ▶ Never pull on the power cord to unplug the appliance. Always unplug the appliance at the mains.
- ▶ If the appliance or the power cord is damaged, immediately unplug the power cord or switch off the fuse in the fuse box.
- ▶ Call customer services. → *Page 10*

Incorrect repairs are dangerous.

- ▶ Repairs to the appliance should only be carried out by trained specialist staff.
- ▶ Only use genuine spare parts when repairing the appliance.
- ▶ If the power cord of this appliance is damaged, it must be replaced by the manufacturer, the manufacturer's Customer Service or a similarly qualified person in order to prevent any risk.

Incorrect installation is dangerous.

- ▶ Connect and operate the appliance only in accordance with the specifications on the rating plate.
- ▶ Connect the appliance to a power supply with alternating current only via a properly installed socket with earthing.
- ▶ The protective conductor system of the domestic electrical installation must be properly installed.
- ▶ Never equip the appliance with an external switching device, e.g. a timer or remote control.
- ▶ When the appliance is installed, the mains plug of the power cord must be freely accessible. If free access is not possible, an all-pole isolating switch must be installed in the permanent electrical installation according to the conditions of Overvoltage Category III and according to the installation regulations.
- ▶ When installing the appliance, check that the power cable is not trapped or damaged.

## **12.4 General information**

Follow these general instructions during the installation.

- For the installation, observe the currently valid building regulations and the regulations of the local electricity and gas suppliers.
- When discharging the exhaust air, the official and legal regulations, such as the regional building code., must be observed.
- In order to freely access the appliance for servicing, select an easy-to-reach installation site.
- The surfaces of the appliance are sensitive. Avoid damaging them during installation.

## 12.5 Instructions for the electrical connection

In order to safely connect the appliance to the electrical system, follow these instructions.

### **⚠ WARNING – Risk of electric shock!**

It must always be possible to disconnect the appliance from the electricity supply. The appliance must only be connected to a protective contact socket that has been correctly installed.

- ▶ The mains plug for the mains power cable must be easily accessible after the appliance is installed.
- ▶ If this is not possible, an all-pole isolating switch must be integrated into the permanent electrical installation according to the conditions of overvoltage category III and according to the installation regulations.
- ▶ The permanent electrical installation must only be wired by a professional electrician. We recommend installing a residual-current circuit breaker (RCCB) in the appliance's power supply circuit.

Sharp-edged components inside the appliance may damage the connecting cable.

- ▶ Do not kink or trap the connecting cable.
- The connection data can be found on the rating plate. → *Page 10*
- The connecting cable is approx. 1.30 m long.
- This appliance complies with the EC interference suppression regulations.
- The appliance corresponds to protection class 1. You should therefore only use the appliance with a protective earth connection.
- Do not connect the appliance to the power supply during installation.
- Ensure that the protection against contact is guaranteed during installation.

## 12.6 Information on the installation situation

- Install this appliance on the kitchen wall.
- To install additional special accessory parts, observe the enclosed installation instructions.
- The appliance must be installed with no more than one side directly next to a high-sided unit or a wall. The distance between the appliance and wall or high-sided unit must be at least 50 mm.
- The width of the extractor hood must correspond at least with the width of the hob.
- To optimally detect the cooking vapours, install the appliance in the middle of the hob.

## 12.7 Instructions for the exhaust air pipe

The appliance manufacturer does not provide any warranty for faults attributable to the pipeline.

- Use a short, straight exhaust air pipe with as large a pipe diameter as possible.
- Long, rough exhaust air pipes, many pipe bends or small pipe diameters reduce the suction power and increase the fan noise.
- Use an exhaust pipe that is made of non-combustible material.
- To prevent condensate from returning, fit the exhaust pipe with a 1° gradient from the appliance.

## 12.8 Instructions for the air extraction mode

For air extraction mode, a one-way flap should be installed.

### Notes

- If a one-way flap is not included with the appliance, one can be ordered from a specialist retailer.
- If the exhaust air is conveyed through the external wall, a telescopic duct should be used.

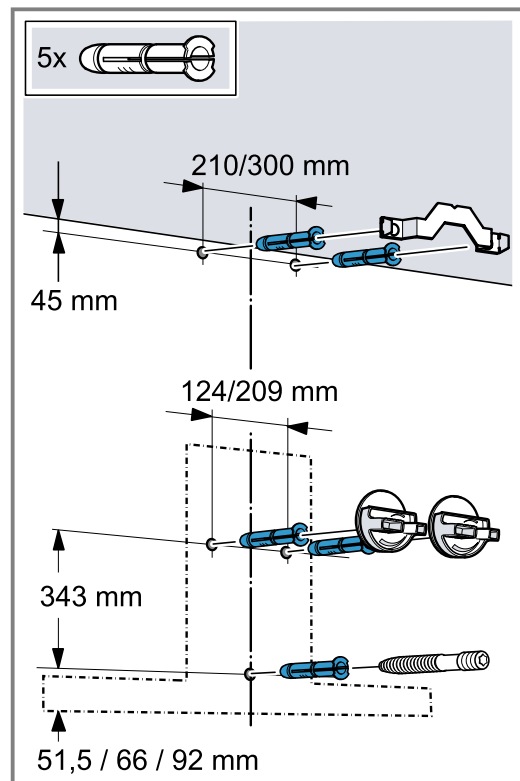
## 12.9 Installation

### Checking the wall

1. Check whether the wall is vertical and has sufficient load-bearing capacity.
2. Drill the hole depth in accordance with the length of the screws.  
The wall plugs must have a secure grip.
3. The screws and wall plugs enclosed are only suitable for use with solid brickwork.  
Suitable fasteners must be used for other structures, e.g. plasterboard, aerated concrete, Poroton blocks, masonry bricks.
4. The maximum weight of the appliance is 40 kg.

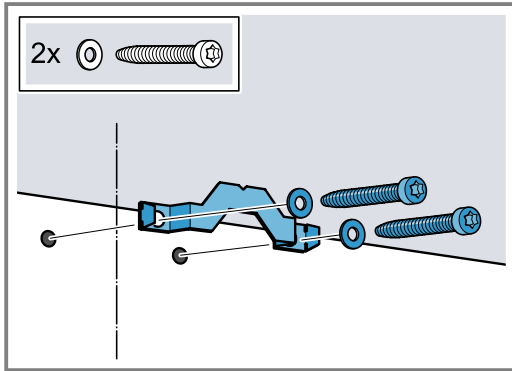
### Preparing the wall

1. Mark a vertical centre line on the wall from the ceiling to the lower edge of the appliance.
2. Ensure that there are no electrical wires, gas pipes or water pipes in the area where holes are to be drilled.
3. Use the enclosed template to mark where the screws are to be inserted and the outline of the attachment area.
4. Drill five holes with a diameter of 8 mm to a depth of 80 mm for the attachments and push in the wall plugs flush with the wall.

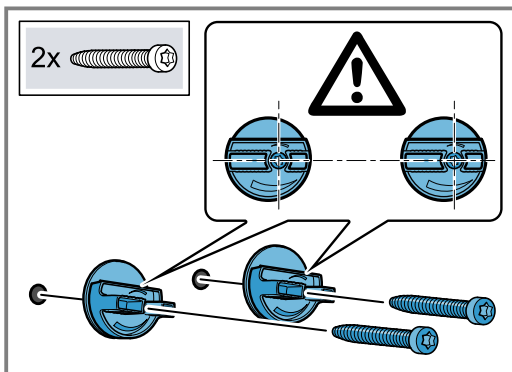


### Installing the appliance bracket

1. Screw on the angle bracket for the flue duct.

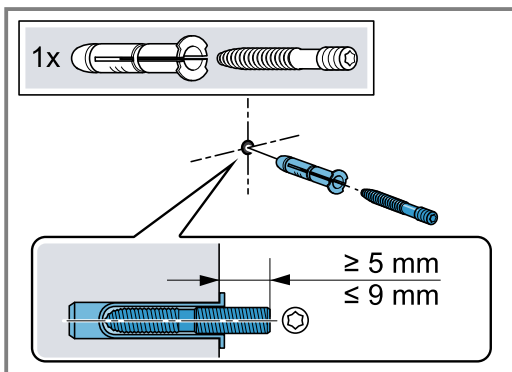


2. Screw on the brackets for the appliance until they are hand-tight.



Do not firmly tighten the screws.

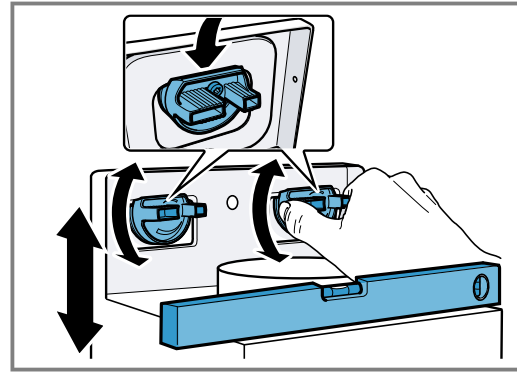
3. Screw in the threaded pin, leaving it protruding out of the wall by 5–9 mm.



### Installing the appliance

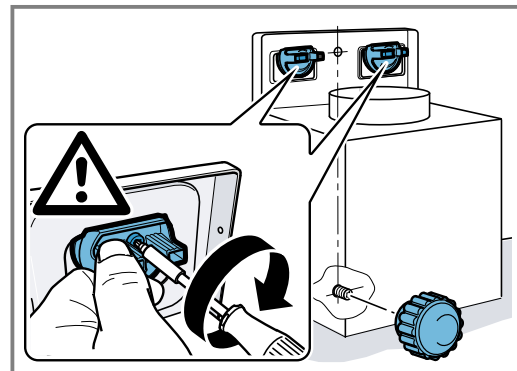
1. First remove the protective film from the back of the appliance and, following installation, remove the rest of the film.
2. When mounting the appliance, ensure that it engages properly with the mounting supports.

3. To align the appliance horizontally, turn the mounting brackets.



If required, move the appliance to the right or to the left.

4. Firmly tighten the screws for the mounting brackets, holding the mounting brackets in place.
5. Firmly tighten the knurled nuts.



### Piping

**Note:** If you are using an aluminium pipe, smooth the connection area beforehand.

We recommend the piping with an exhaust air pipe diameter of 150 mm.

#### Establishing the exhaust air connection (exhaust air pipe, 150 mm diameter)

- ▶ Fit the exhaust air pipe directly to the air-pipe connector and seal the joint.

#### Establishing the exhaust air connection (exhaust pipe, 120 mm diameter)

1. Secure the reducing connector to the air-pipe connector.
2. Secure the exhaust air pipe to the reducing connector.
3. Seal the joints.

### Installing the flue duct

#### ⚠ WARNING – Risk of injury!

Components inside the appliance may have sharp edges.

- ▶ Wear protective gloves.

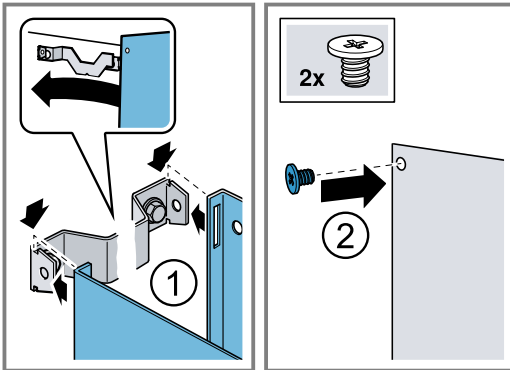
#### ⚠ WARNING – Risk of electric shock!

Sharp-edged components inside the appliance may damage the connecting cable.

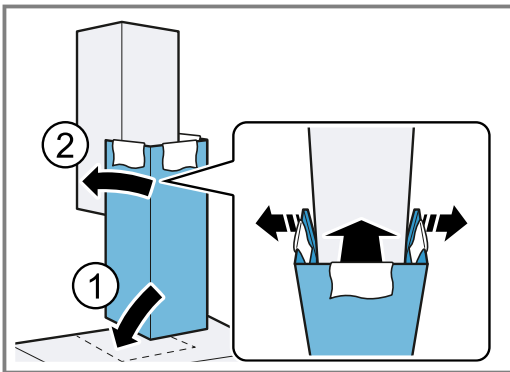
- ▶ Do not kink or trap the connecting cable.

1. Screw the retaining bracket for the flue duct to the wall.

2. To separate the flue ducts, remove the adhesive tape or the flue duct from the protective packaging.
3. Remove any protective foil from both flue ducts.
4. Use the 2 screws to screw the upper flue duct to the sides of the retaining bracket.



5. **Note:** To prevent scratches, lay soft towels over the edges of the outer flue duct to protect the surface. Place the lower flue duct on the appliance and pull it slightly apart. ①
6. Put the lower flue duct over the upper flue duct.②



7. Carefully remove the towels.











## Thank you for buying a Bosch Home Appliance!

Register your new device on MyBosch now and profit directly from:

- **Expert tips & tricks for your appliance**
- **Warranty extension options**
- **Discounts for accessories & spare-parts**
- **Digital manual and all appliance data at hand**
- **Easy access to Bosch Home Appliances Service**

Free and easy registration – also on mobile phones:

[www.bosch-home.com/welcome](http://www.bosch-home.com/welcome)

**BOSCH**  
HOME APPLIANCES  
**SERVICE**

## Looking for help? You'll find it here.

Expert advice for your Bosch home appliances, help with problems or a repair from Bosch experts.

Find out everything about the many ways Bosch can support you:

[www.bosch-home.com/service](http://www.bosch-home.com/service)

Contact data of all countries are listed in the attached service directory.

### **BSH Hausgeräte GmbH**

Carl-Wery-Straße 34  
81739 München, GERMANY  
[www.bosch-home.com](http://www.bosch-home.com)

A Bosch Company



**9001653450** (020420)

en

Valid within Great Britain:  
Imported to Great Britain by  
BSH Home Appliances Ltd.  
Grand Union House  
Old Wolverton Road  
Wolverton, Milton Keynes  
MK12 5PT  
United Kingdom