



BOSCH



Register your
new device on
MyBosch now and
get free benefits:
[bosch-home.com/
welcome](https://www.bosch-home.com/welcome)

Tumble dryer

WQG2450XES

[en] User manual and installation
instructions

Further information and explanations are available online:



Table of contents

1 Safety	4	8 Dryness level.....	25
1.1 General information.....	4	8.1 Changing the dryness level.....	25
1.2 Intended use.....	4	8.2 Adjusting the dryness level	25
1.3 Restriction on user group.....	4	9 Programmes	26
1.4 Safe installation	5	9.1 Automatic programmes.....	26
1.5 Safe use	7	9.2 Timed programmes.....	27
1.6 Safe cleaning and maintenance.....	9	10 Accessories.....	28
2 Preventing material damage	11	11 Laundry.....	28
3 Environmental protection and saving energy.....	11	11.1 Preparing the laundry.....	28
3.1 Disposing of packaging	11	12 Basic operation	29
3.2 Saving energy.....	11	12.1 Switching on the appliance	29
3.3 Energy saving mode	12	12.2 Setting a programme	29
4 Installation and connection.....	12	12.3 Loading laundry.....	29
4.1 Unpacking the appliance	12	12.4 Starting the programme	29
4.2 Scope of delivery.....	12	12.5 Adding laundry	29
4.3 Requirements for the installation location.....	13	12.6 Cancelling the programme	30
4.4 Water drain hose.....	13	12.7 Unloading the laundry	30
4.5 Aligning the appliance.....	16	12.8 Switching off the appliance	30
4.6 Connecting the appliance to the electricity supply.....	16	12.9 Fluff filter.....	30
5 Familiarising yourself with your appliance.....	17	12.10 Condensation container	32
5.1 Appliance	17	13 Childproof lock.....	33
5.2 Wool basket	18	13.1 Activating the childproof lock.....	33
5.3 Control panel.....	18	13.2 Deactivating the childproof lock.....	33
6 Display	19	14 Wool basket.....	33
7 Buttons	22	14.1 Inserting the wool basket.....	33
		14.2 Starting a programme with the wool basket.....	33
		14.3 Examples of how to use the wool basket.....	34

15 Basic settings	36
15.1 Overview of the basic settings.....	36
15.2 Changing the basic settings.....	37
16 Appliance care	37
16.1 Preparing the appliance for the appliance care programme	37
16.2 Preparing the condensation container for the appliance care programme.....	38
16.3 Starting the appliance care programme.....	38
16.4 Running the basic appliance care programme on the appliance.....	38
16.5 Preparing the appliance for the intensive appliance care programme.....	40
16.6 Running the intensive appliance care programme	40
16.7 Ending the intensive appliance care programme	42
17 Cleaning and servicing	43
17.1 Tips on cleaning and care	43
17.2 Moisture sensor.....	43
17.3 Condensation container filter	44
18 Troubleshooting	45
19 Transportation, storage and disposal	50
19.1 Preparing the appliance for transportation	50
19.2 Disposing of old appliance	50
20 Customer Service	51
20.1 Product number (E-Nr.) and production number (FD).....	51
21 Consumption values	52
22 Technical data	53



1 Safety

Observe the following safety instructions.

1.1 General information



- Read this instruction manual carefully.
- Keep the instruction manual and the product information safe for future reference or for the next owner.
- Do not connect the appliance if it has been damaged in transit.

1.2 Intended use

Only use this appliance:

- For drying and freshening up fabrics that are washed with water and suitable for dryers.
- In private households and in enclosed spaces in a domestic environment.
- Up to an altitude of max. 4000 m above sea level.

1.3 Restriction on user group

This appliance may be used by children aged 8 or over and by people who have reduced physical, sensory or mental abilities or inadequate experience and/or knowledge, provided that they are supervised or have been instructed on how to use the appliance safely and have understood the resulting dangers.

Do not let children play with the appliance.

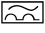
Cleaning and user maintenance must not be performed by children unless they are being supervised.

Keep children under the age of 3 years and pets away from the appliance.

1.4 Safe installation

⚠ WARNING – Risk of electric shock!

Incorrect installation is dangerous.

- ▶ Connect and operate the appliance only in accordance with the specifications on the rating plate.
- ▶ Connect the appliance to a power supply with alternating current only via a properly installed socket with earthing.
- ▶ The protective conductor system of the domestic electrical installation must be properly installed. The installation must have a sufficiently large cross section.
- ▶ When using a residual current circuit breaker, only use a type with the  mark.
- ▶ Never equip the appliance with an external switching device, e.g. a timer or remote control.
- ▶ Never connect the appliance to a circuit that is regularly switched on and off by the energy supplier.
- ▶ When the appliance is installed, the mains plug of the power cord must be freely accessible. If free access is not possible, an all-pole isolating switch must be installed in the permanent electrical installation according to the installation regulations.
- ▶ When installing the appliance, check that the power cable is not trapped or damaged.

If the insulation of the power cord is damaged, this is dangerous.

- ▶ Never let the power cord come into contact with hot appliance parts or heat sources.
- ▶ Never let the power cord come into contact with sharp points or edges.
- ▶ Never kink, crush or modify the power cord.

⚠ WARNING – Risk of fire!

It is dangerous to use an extended power cord and non-approved adapters.

- ▶ Do not use extension cables or multiple socket strips.
- ▶ Only use adapters and power cords approved by the manufacturer.

- ▶ If the power cord is too short and a longer one is not available, please contact an electrician to have the domestic installation adapted.

⚠ WARNING – Risk of injury!

The high weight of the appliance may result in injury when lifted.

- ▶ Do not lift the appliance on your own.

If this appliance is not correctly installed in a washer-dryer stack, the installed appliance may fall.

- ▶ Only stack the dryer on a washing machine using the connection kit from the dryer manufacturer
→ *"Accessories", Page 28*. No other installation method is permitted.
- ▶ Do not install the appliance in a washer-dryer stack if the dryer manufacturer does not offer a suitable connection kit.
- ▶ Do not install appliances from different manufacturers and with varying depths and widths in a washer-dryer stack.
- ▶ Do not install a washer-dryer stack on a platform; the appliances may tip over.

⚠ WARNING – Risk of suffocation!

Children may put packaging material over their heads or wrap themselves up in it and suffocate.

- ▶ Keep packaging material away from children.
- ▶ Do not let children play with packaging material.

⚠ CAUTION – Risk of injury!

The appliance may vibrate or move when in use.

- ▶ Place the appliance on a clean, even, solid surface.
- ▶ Align the appliance using the appliance feet and a spirit level.

If hoses and power cords have been laid incorrectly, this causes a tripping hazard.

- ▶ Lay hoses and power cords in such a way that there is no risk of tripping.

If the appliance is moved by holding onto protruding components, such as the appliance door, the parts may break off.

- ▶ Do not move the appliance by holding onto protruding parts.

⚠ CAUTION – Risk of cutting!

Touching sharp edges on the appliance may lead to cuts.

- ▶ Do not touch the sharp edges on the appliance.
- ▶ Wear protective gloves when installing and transporting the appliance.

1.5 Safe use**⚠ WARNING – Risk of electric shock!**

If the appliance or the power cord is damaged, this is dangerous.

- ▶ Never operate a damaged appliance.
- ▶ Never pull on the power cord to unplug the appliance. Always unplug the appliance at the mains.
- ▶ If the appliance or the power cord is damaged, immediately unplug the power cord or switch off the fuse in the fuse box.
- ▶ Call customer services. → *Page 51*

An ingress of moisture can cause an electric shock.

- ▶ Only use the appliance in enclosed spaces.
- ▶ Never expose the appliance to intense heat or humidity.
- ▶ Do not use steam- or high-pressure cleaners, hoses or sprays to clean the appliance.

⚠ WARNING – Risk of harm to health!

Children can lock themselves in the appliance, thereby putting their lives at risk.

- ▶ Do not install the appliance behind a door as this may obstruct the appliance door or prevent it from opening.
- ▶ With redundant appliances, unplug the power cord. Then cut through the cord and damage the lock on the appliance door beyond repair so that the appliance door will no longer close.

⚠ WARNING – Risk of suffocation!

Children may breathe in or swallow small parts, causing them to suffocate.

- ▶ Keep small parts away from children.
- ▶ Do not let children play with small parts.

⚠ WARNING – Risk of explosion!

If there is coal dust or flour in the air around the appliance, this may cause an explosion.

- ▶ Keep the area around the appliance clean during operation.

⚠ WARNING – Risk of poisoning!

Condensation water from this appliance is not suitable for drinking and may be contaminated with fluff.

- ▶ Do not drink or reuse the condensation water from the appliance.

Detergents and care products may result in poisoning if consumed.

- ▶ If accidentally swallowed, seek medical advice.
- ▶ Keep detergents and care products out of the reach of children.

⚠ WARNING – Risk of fire!

The refrigerant R290 in this appliance is environmentally friendly yet combustible and may ignite if it comes into contact with open flames or ignition sources.

- ▶ Keep naked flames and ignition sources away from the appliance.



ance.

⚠ WARNING – Risk of explosion!

If there is any residual material left in the fluff filter, this may ignite during the drying process.

- ▶ Clean the fluff filter regularly.

Highly flammable objects such as lighters or matches may ignite during the drying process.

- ▶ Remove all highly flammable objects from any pockets in your laundry before the drying process.

Unwashed laundry that has come into contact with solvents, oil, wax, wax remover, paint, grease or stain remover may ignite when drying is in progress.

- ▶ Do not place laundry in this appliance to be dried if the laundry has not been washed first.

- ▶ Rinse the laundry thoroughly with warm water and detergent before drying it in the machine.
- ▶ Do not use the appliance if industrial chemicals have been used to clean the laundry beforehand.

⚠ WARNING – Risk of fire!

If drying is interrupted early, the laundry is not cooled sufficiently and may ignite.

- ▶ Do not interrupt the drying programme early.
- ▶ If drying is interrupted early, remove the laundry immediately and spread it out.

⚠ CAUTION – Risk of injury!

The covering plate may break if you stand on or climb onto the appliance.

- ▶ Do not stand on or climb onto the appliance.

The appliance may tip over if you sit on or lean against the open door.

- ▶ Do not sit on or lean against the appliance door.
- ▶ Do not place any objects on the appliance door.

Reaching into the drum while it is still turning may cause hand injuries.

- ▶ Wait for the drum to come to a complete stop before reaching inside.

1.6 Safe cleaning and maintenance


⚠ WARNING – Risk of electric shock!

Incorrect repairs are dangerous.

- ▶ Repairs to the appliance should only be carried out by trained specialist staff.
- ▶ Only use genuine spare parts when repairing the appliance.
- ▶ If the power cord of this appliance is damaged, it must be replaced by the manufacturer, the manufacturer's Customer Service or a similarly qualified person in order to prevent any risk.

An ingress of moisture can cause an electric shock.

- ▶ Do not use steam- or high-pressure cleaners, hoses or sprays to clean the appliance.

 WARNING – Risk of injury!

The use of non-original spare parts and non-original accessories is dangerous.

- ▶ Only use the manufacturer's original spare parts and original accessories.

 WARNING – Risk of poisoning!

Poisonous fumes may be given off if you use cleaning agents that contain solvents.

- ▶ Do not use cleaning agents that contain solvents.

2 Preventing material damage

ATTENTION!

The functionality of the appliance may be impaired if you use the wrong quantity of fabric softener, detergent, care product or cleaning agent.

- ▶ Follow the dosage recommendations from the manufacturer.

Exceeding the maximum load capacity impairs the function of the appliance.

- ▶ Observe the maximum load capacity for each programme and do not exceed it.

→ "Programmes", Page 26

The function of the appliance may be impaired if the appliance overheats.

- ▶ Keep the ventilation opening on the appliance clear during operation.
- ▶ Make sure that the area is adequately ventilated.

Light objects such as hair and fluff may be sucked in from the ventilation opening on the appliance during operation and impair the function of the appliance.

- ▶ Keep the area around the appliance clean during operation.
- ▶ Keep light objects away from the appliance.

Foam and foam rubber may deform or melt during the drying process.

- ▶ Do not dry laundry that contains foam or foam rubber.

Unsuitable cleaning products may damage the surfaces of the appliance.

- ▶ Do not use harsh or abrasive detergents.
- ▶ Do not use cleaning products with a high alcohol content.
- ▶ Do not use hard scouring pads or cleaning sponges.

- ▶ Clean the appliance with nothing but water and a soft, damp cloth.
- ▶ Remove all detergent residue, spray residue or other residues immediately if they come into contact with the appliance.

3 Environmental protection and saving energy

3.1 Disposing of packaging

The packaging materials are environmentally compatible and can be recycled.

- ▶ Sort the individual components by type and dispose of them separately.

3.2 Saving energy

If you follow these instructions, your appliance will use less power.

Operate the appliance in a well-ventilated room and keep the ventilation opening on the appliance clear.

- ✓ If air exchange is impeded, this extends the programme duration and increases energy consumption.

Spin the laundry in the washing machine before drying.

- ✓ Damper laundry extends the programme duration and increases energy consumption.

Observe the programme's maximum load capacity.


→ "Programmes", Page 26

- ✓ If the maximum load is exceeded, this extends the programme duration and increases energy consumption.

After drying, clean the fluff filter
→ Page 30.

- ✓ If the fluff filter is dirty, this reduces the air flow in the appliance, extends the programme duration and increases energy consumption.

3.3 Energy saving mode

If you do not use the appliance for an extended period, it automatically switches to energy-saving mode. All displays go out and  **Inicio/Pausa +Carga** flashes. Energy-saving mode ends when you use the appliance again.

4 Installation and connection

4.1 Unpacking the appliance

ATTENTION!

Objects remaining in the drum that are not designed for operation with the appliance may cause material damage and damage to the appliance.

- ▶ Remove these objects, along with all supplied accessories, from the drum before starting the appliance.

1. Remove any packaging and protective covers completely from the appliance.

→ "Disposing of packaging",
Page 11

2. Check the appliance for visible damage.

3. Open the appliance door.
→ "Basic operation", Page 29

4. Remove any accessories from the drum.

5. Close the appliance door.

4.2 Scope of delivery

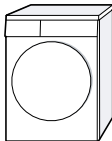



After unpacking all parts, check for any damage in transit and completeness of the delivery.

ATTENTION!

If the appliance is operated with incomplete or defective accessories, the appliance may not be able to operate properly, or this may result in material damage or damage to the appliance.

- ▶ Do not operate the appliance with incomplete or defective accessories.
- ▶ Replace the accessories in question before operating the appliance.

→ "Accessories", Page 28

Included with the appliance	Description
	Tumble dryer
	Accompanying documents
	Water drain hose with connection adapter, fixing material and elbow. → "Water drain hose", Page 13
	Wool basket with insert → "Wool basket", Page 33

4.3 Requirements for the installation location

ATTENTION!

If the appliance is tilted at an angle greater than 40°, residual water may leak out of the appliance and cause material damage.

- ▶ Tilt the appliance carefully.
- ▶ Transport the appliance in an up-right position.

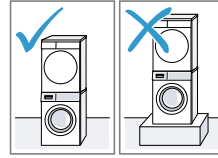
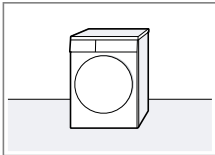
If residual water in the appliance freezes, this may cause damage to the appliance.

- ▶ Do not install or operate this appliance anywhere that is liable to experience frost or outdoors.

If the appliance is operated immediately after transportation, the refrigerant contained in the appliance may result in damage to the appliance.

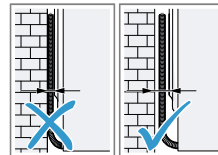
- ▶ Immediately after transporting the appliance, leave it to rest for two hours before putting it into operation.

Installation location	Requirements
On the floor	Place the appliance on a clean, level and firm surface. Align the appliance → Page 16.
Against a wall	Do not trap the hoses and power cord between the wall and the appliance.



- Connection kit with pull-out worktop → Page 28
- Connection kit → Page 28

This appliance must only be stacked on a washing machine from the same manufacturer. The depth and width of this appliance must correspond with the dimensions of the washing machine. Do not place the washer-dryer stack on a platform.



4.4 Water drain hose

Condensation forms during drying, which your appliance uses for automatic cleaning. Use the water drain

en Installation and connection

hose to drain away excess condensation directly into the waste water system.

Notes

- Operate this appliance using the water drain hose provided. If you connect the water drain hose → *Page 14*, you do not have to regularly empty the condensation container → *Page 32*.
- You can order this optional → *"Accessories"*, *Page 28* from our customer service.

Connecting the water drain hose

If you do not want to regularly empty the appliance's condensation container, connect the water outlet hose.

ATTENTION!

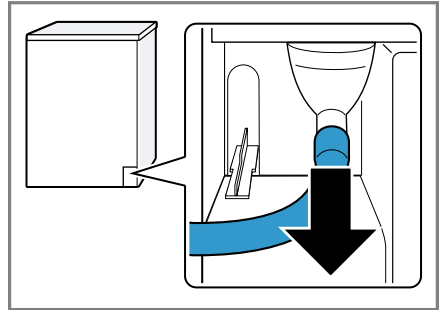
When operating the appliance without the water drain hose being connected properly, liquid may leak out of the connecting piece.

- ▶ Before operating the appliance, connect the water drain hose properly to the connecting piece.

Requirements

- The appliance and the accessory have been unpacked.
→ *"Unpacking the appliance"*, *Page 12*
- The appliance is installed at the installation location.
→ *"Requirements for the installation location"*, *Page 13*

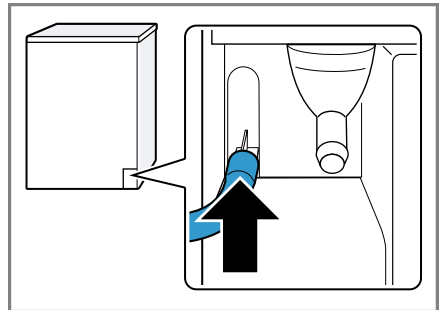
1. Pull out the condensation hose from the connecting piece.



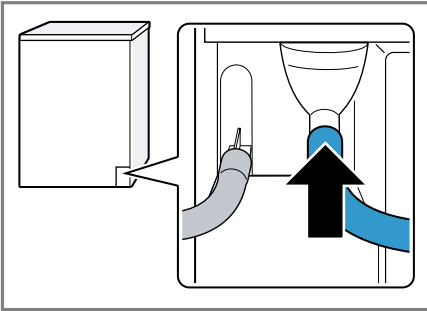
The condensation hose is connected to the connecting piece at the factory.

Note: When removing the condensation hose, liquid may leak out of the connecting piece.

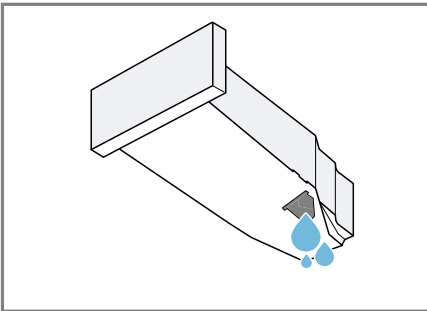
2. Push the condensation hose into the holder.



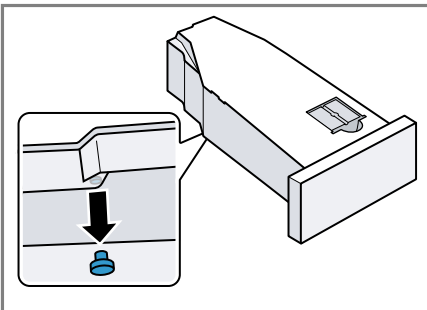
3. Push the water drain hose as far as it will go into the connecting piece.



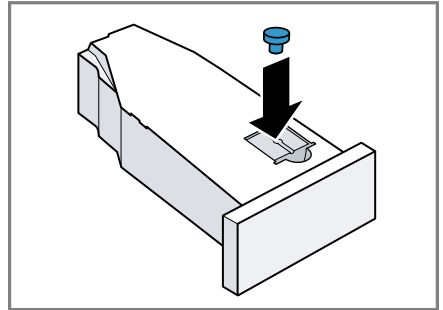
4. Empty the condensation container → Page 32.



5. Remove the stopper on the underside.



6. Insert the stopper into the recess in the top.



7. Insert the condensation container → Page 32.
 8. Connect the appliance to the water outlet.
 → "Water outlet connection types", Page 15

Tip: To collect condensation in the condensation container again (e.g. if you change where the appliance is located), carry out these steps in reverse order.

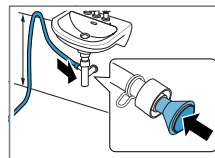
Water outlet connection types

ATTENTION!

In the event of a blocked or covered outlet, accumulated wastewater can flow back into the appliance.

- ▶ Before operating the appliance, ensure that the wastewater drains away quickly and eliminate any blockages.

Drainage into a siphon.

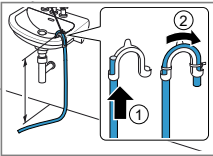


Secure the connection point with a (12-22 mm) hose clamp.

Secure the water drain hose with a hose guide at a height of at least 80 cm and no more than 100 cm.

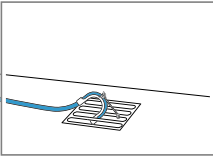
Note: You can use the Y-distributor → *Page 28* to connect the water drain hose of an additional appliance, such as a washing machine, to the same siphon outlet.

Drainage into a wash basin.



Push the water drain hose fully through the and secure it using fixing material. Secure the elbow at a height of no more than 100 cm.

Drainage into a gully.

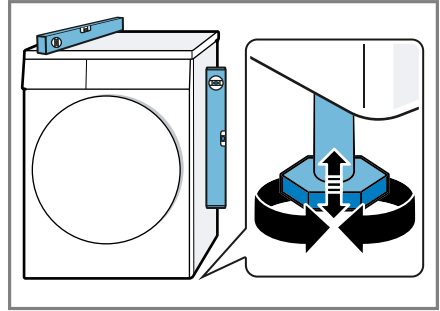


Push the water drain hose fully through the and secure it using fixing material. Secure the elbow to the gully.

4.5 Aligning the appliance

In order to reduce vibrations and noises, align the appliance correctly.

- ▶ To align the appliance, turn the appliance feet. Check that the appliance is level using a spirit level.



All appliance feet must stand firmly on the ground.

4.6 Connecting the appliance to the electricity supply

1. Insert the mains plug of the appliance's power cable in a socket nearby.

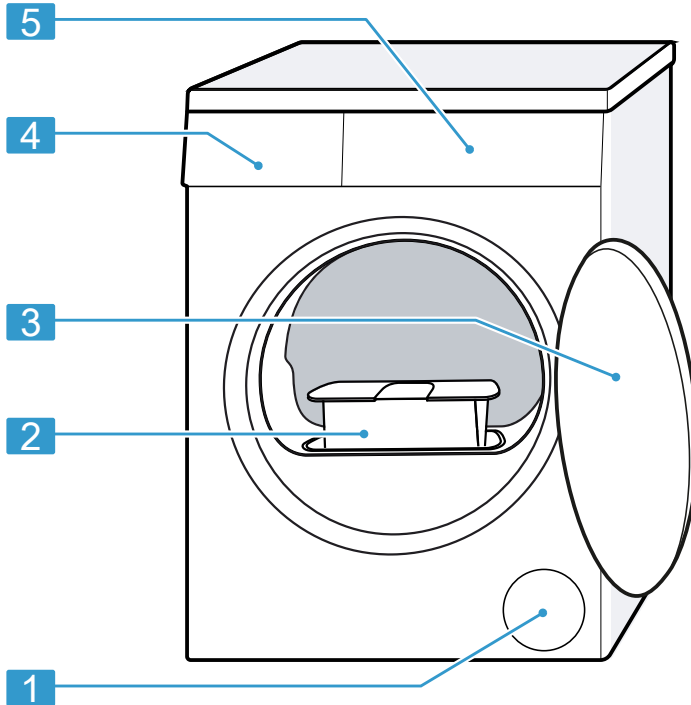
The connection details of the appliance can be found under Technical data → *Page 53*.

2. Check the mains plug is inserted properly.

5 Familiarising yourself with your appliance

5.1 Appliance

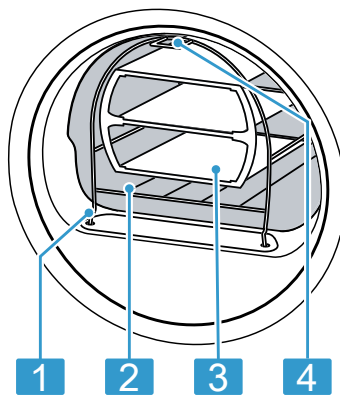
You can find an overview of the parts of your appliance here.



On certain models, specific details such as the colour and shape may differ from those pictured.

1	Ventilation opening
2	Fluff filter → <i>Page 30</i>
3	Door
4	Condensation container → <i>Page 32</i>
5	Control panel → <i>Page 18</i>

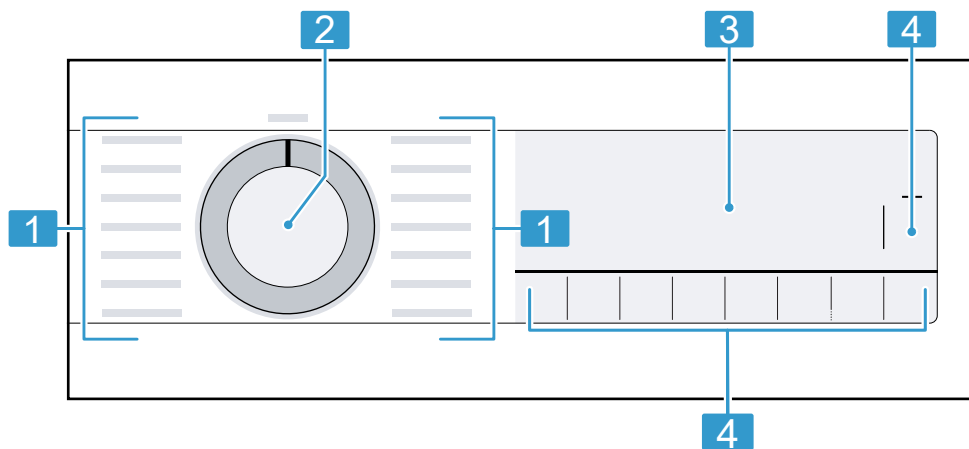
5.2 Wool basket



- | | |
|---|------------------------------|
| 1 | Securing foot |
| 2 | Wool basket |
| 3 | Insert |
| 4 | Tab for securing in the hook |

5.3 Control panel

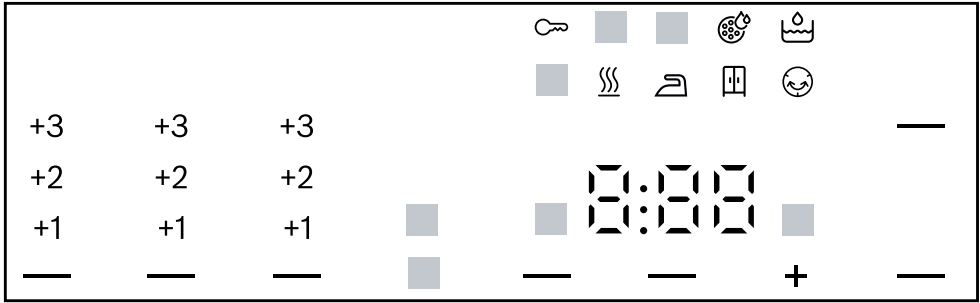
You can use the control panel to configure all functions of your appliance and to obtain information about the operating status.



- | | |
|---|--|
| 1 | Programmes → <i>Page 26</i> |
| 2 | Programme selector
→ <i>Page 29</i> |
| 3 | Display → <i>Page 19</i> |
| 4 | Buttons → <i>Page 22</i> |

6 Display

The display shows the current settings, options or relevant information.







Example: Display

Display	Designation	Description
0:40 ¹	Programme duration/programme time remaining	Expected programme duration or programme time remaining in hours and minutes.
1:25	Timed programme	The timed programme is set. → "Timed programmes", Page 27
9.0 ¹	Recommended load	The maximum load capacity for the selected programme in kg.
+ 0:45 ¹	"Ready in" time	→ "Buttons", Page 24
	Childproof lock	<ul style="list-style-type: none"> lights up: The childproof lock is activated. flashes: The childproof lock is activated and the appliance has been operated. → "Deactivating the childproof lock", Page 33
(Inicio/Pausa+Carga)	Start/Pause	Start, cancel or pause <ul style="list-style-type: none"> Lights up: The programme is running and can be cancelled or paused. Flashes: The programme can be started or continued.

¹ Example






Display	Designation	Description
— (☰ Seco)	Dryness level: Iron Dry	The dryness level is activated. → "Buttons", Page 23
— (☰ Seco)	Dryness level: Cupboard Dry	The dryness level is activated. → "Buttons", Page 23
— (☰* Extra seco)	Dryness level: Cupboard Dry Plus	The dryness level is activated. → "Buttons", Page 22
+1 +2 +3	Dryness level adjusted	The adjusted dryness level is activated. → "Dryness level", Page 25
— (☺ Menos arrug./vinc.)	Crease-reduction function	The crease-reduction function is activated. → "Buttons", Page 23
— (☼ Delicado)	Gentle drying	Gentle drying is activated for delicate fabrics. → "Buttons", Page 23
4.5 kg — (½ Carga)	Half load	Half load is activated. → "Buttons", Page 24
— (🔇 Silencio)	Quiet drying	Quiet drying with no audible signals is activated. → "Buttons", Page 24
☺	Condensation container	Empty the condensation container → Page 32. Insert the condensation container → Page 32.
☼	Fluff filter	Clean the fluff filter → Page 30.
CrE	Basic appliance care programme	Run the basic appliance care programme. → "Running the basic appliance care programme on the appliance", Page 38
Hot	Cooling process	The laundry is cooled while the drum is rotating, in order to avoid damage to the laundry. The process can be cancelled by opening the door. Note: Do not change the programme.
☰	Automatic self-cleaning	The automatic self-cleaning function rinses the appliance's heat exchanger. Note: Do not remove the condensation container and do not interrupt the programme.
☰	Drying	Programme status









¹ Example



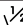
Display	Designation	Description
	Dryness level: Iron Dry	Programme status
	Dryness level: Cupboard Dry	Programme status
	Anti-crease	Programme status
 (▷ Inicio/ Pausa+Carga)	Pause	Programme status
End	End of pro- gramme	Programme status
¹ Example		

7 Buttons

Below is an overview of the buttons and their setting options.




Button	Selection	Description
 Inicio/Pausa+Carga	<ul style="list-style-type: none"> ■ Start ■ Cancel ■ Pause 	Start, cancel or pause the programme.
 3 seg	<ul style="list-style-type: none"> ■ Activate ■ Deactivate 	<p>Activate or deactivate the childproof lock.</p> <p>Disable the control panel to prevent unwanted or accidental operation.</p> <p>If the childproof lock is activated and the appliance has been switched off, the childproof lock remains activated.</p> <p>→ <i>"Childproof lock", Page 33</i></p>
 Extra seco	<ul style="list-style-type: none"> ■  Extra seco ■ +1 ■ +2 ■ +3 	<ul style="list-style-type: none"> ■ Selecting  Extra seco activates the dryness level. The dryness level defines how damp or dry the laundry is after the programme ends. → <i>"Dryness level", Page 25</i> ■ The dryness level can be adjusted by selecting +1, +2 or +3. → <i>"Adjusting the dryness level", Page 25</i>

Button	Selection	Description
 Seco	<ul style="list-style-type: none"> ■  Seco ■ +1 ■ +2 ■ +3 	<ul style="list-style-type: none"> ■ Selecting  Seco activates the dryness level. The dryness level defines how damp or dry the laundry is after the programme ends. → "Dryness level", Page 25 ■ The dryness level can be adjusted by selecting +1, +2 or +3. → "Adjusting the dryness level", Page 25
 Seco	<ul style="list-style-type: none"> ■  Seco ■ +1 ■ +2 ■ +3 	<ul style="list-style-type: none"> ■ Selecting  Seco activates the dryness level. The dryness level defines how damp or dry the laundry is after the programme ends. → "Dryness level", Page 25 ■ The dryness level can be adjusted by selecting +1, +2 or +3. → "Adjusting the dryness level", Page 25
 Menos arrug./vinc.	<ul style="list-style-type: none"> ■ Activate ■ Deactivate 	<p>Activate or deactivate the crease-reduction function.</p> <p>Once the programme has ended, the drum moves the laundry at regular intervals for 60 minutes to prevent creasing.</p>
 Delicado	<ul style="list-style-type: none"> ■ Activate ■ Deactivate 	<p>Activate or deactivate gentle drying.</p> <p>The temperature is reduced for delicate fabrics, e.g. polyacrylic or elastane.</p> <p>The programme duration is extended.</p>

Button	Selection	Description
 Terminado en/em	<ul style="list-style-type: none"> ■ Programme end ■ Programme length 	<ul style="list-style-type: none"> ■ Set the programme end. The programme duration is already included in the set number of hours. Once the programme has started, the programme duration is displayed. ■ Set the programme duration for timed programmes. → <i>"Timed programmes", Page 27</i>
 Silencio	<ul style="list-style-type: none"> ■ Activate ■ Deactivate 	Activate or deactivate operating signals and information signals.
 Carga	<ul style="list-style-type: none"> ■ Activate ■ Deactivate 	Dry individual items of laundry or small loads of laundry.







8 Dryness level




Each automatic programme has a specified dryness level. The dryness level defines how dry or damp your laundry is after the programme ends.

Dryness level	Laundry	Drying result
 Extra seco	Multi-layered, thick laundry that does not dry readily.	The laundry is dry.
 Seco	Normal, single-layered laundry.	The laundry is dry.
 Seco	Normal, single-layered laundry	The laundry is still a little damp after drying. To prevent creasing after drying, iron the laundry or hang it up.

8.1 Changing the dryness level

For some automatic programmes, you can change the dryness level so that your laundry will be drier or more damp.

1. Set an automatic programme.
→ "Automatic programmes",
Page 26
- ✓ The display shows the specified dryness level.
2. Press  **Seco**,  **Extra seco** or  **Seco**.
- ✓ The display shows:  (Seco),  (Extra seco) or  (Seco)

2. Press  **Extra seco**,  **Seco** or  **Seco**.
- ✓ The display shows: "+1", "+2" or "+3".

8.2 Adjusting the dryness level

If the laundry feels too damp after it has been dried to a particular dryness level, you can adjust the dryness level.

1. Set an automatic programme.
→ "Automatic programmes",
Page 26
- ✓ The display shows the specified dryness level.

9 Programmes

You can dry your fabrics using either an automatic programme or a timed programme.





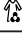



9.1 Automatic programmes


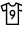



Automatic programmes are programmes in which humidity sensors measure the residual moisture in the laundry during the drying cycle. The programme only ends once the set dryness level is reached.

Each automatic programme has a dryness level → *Page 25*. The dryness level defines how dry or damp the laundry is after the programme ends.

Tips

- Select the dryness level according to the type of fabric or the desired drying result.
→ *"Dryness level", Page 25*
- The laundry's care labels provide you with additional information about programme selection.


Programme	Description	Max. load (kg)
Algodón/Algodão 	Dry hard-wearing, heat-resistant fabrics made of cotton or linen.	9.0
 Algod. Eco 	Dry hard-wearing, heat-resistant fabrics made of cotton or linen. Energy-saving programme.	9.0
Sintéticos 	Dry items made of synthetic materials or blended fabrics.	3.5
Mix 	Dry items made of cotton and synthetics.	3.0
 Edredones/ Edredões	Dry clothing, pillows, quilts or bedspreads filled with synthetic fibres. Note: Dry large items of laundry, blankets or pillows individually.	2.5
Delicado 	Dry delicate items made of satin, synthetics or blended fabrics.	2.0
 Plumas/ Penas	Dry clothing, bedspreads or eiderdowns stuffed with down. Notes <ul style="list-style-type: none"> ■ Dry large items of laundry, such as blankets or sleeping bags individually. ■ Once the programme has ended, shake the items of laundry to distribute the stuffing and eliminate any pockets of moisture. 	1.5

Programme	Description	Max. load (kg)
 Higiene Plus	Dry hard-wearing, heat-resistant fabrics made of cotton or linen. Note: Particularly suitable for strict hygiene requirements.	4.0
 Sport	Dry self-drying sportswear made of performance fibres, microfibres and synthetics.	1.5
 Camisas/Blusas	Suitable for shirts and blouses made of cotton, linen, synthetics or blended fabrics. Note: For optimal drying results, dry a maximum of 5 shirts or 5 blouses at the same time. Once the laundry is dry, iron it or hang it up. The residual moisture is then distributed evenly.	1.5
 Rápido 40 min	Dry items made of synthetics and light cotton.	2.0
 Toallas/Toalhas	Dry hard-wearing, heat-resistant towels and dressing gowns made of cotton or linen.	6.0

9.2 Timed programmes

Timed programmes are programmes with a defined or adjustable programme duration. The programme ends once this time has elapsed, even if the laundry is still not dry, for example. Timed programmes are suitable for drying individual items of laundry or thin fabrics.

Tip: The laundry's care labels provide you with additional information about programme selection.

Programme	Description	Max. load (kg)
Secar c/cesto 	Dry items made of wool or containing wool. Note: Dry these items only using the wool basket. → "Wool basket", Page 33	One item of laundry
Caliente/Quente ☺	Dry all types of fabric except for wool and silk. Suitable for pre-dried or slightly damp laundry and for drying off multi-layered, thick laundry.	3.0

10 Accessories

Use original accessories. These have been made especially for your appliance.

Note: Some accessories are available in other colours. Contact → "Customer Service", Page 51.

	Use	Order number
Connection kit	To save space, stack the appliance on a suitable washing machine of the same width and depth and that is from the same manufacturer.	WTZ27410
Connection kit with pull-out worktop	To save space, stack the appliance on a suitable washing machine of the same width and depth and that is from the same manufacturer. The pull-out worktop makes it easier to load and unload the appliance.	WTZ27400
Y-distributor	Connect the water drain hose of an additional appliance to the same siphon outlet.	15000490
Appliance care product	Spare part for the intensive appliance care function.	00311829

11 Laundry

11.1 Preparing the laundry

ATTENTION!

Objects remaining in the laundry may damage the laundry and the drum.

- ▶ Remove all items from any pockets in your laundry before using the appliance.

- ▶ To protect your appliance and the laundry, prepare the laundry beforehand.
 - Empty any pockets
 - Brush sand out of all collars and pockets
 - Close bed covers and cushion covers
 - Close all zips, Velcro fasteners, hooks and eyes

- Tie cloth belts, apron strings, etc. together or use a laundry bag.
- Remove curtain hooks and lead strips or use a mesh laundry bag
- Use a mesh laundry bag for small items of laundry, such as children's socks
- Separate items of laundry and shake them out, or observe the programme description
- Spin the laundry before drying
- Dry woollen items, sports shoes and soft toys in the wool basket
→ *"Wool basket", Page 33*

12 Basic operation

12.1 Switching on the appliance

Requirement: The appliance has been correctly installed and connected.

→ *"Installation and connection", Page 12*

- ▶ Turn the programme selector to a programme.

Note: The lighting for the drum goes out automatically.

12.2 Setting a programme

1. Turn the programme selector and set the required programme.
→ *"Programmes", Page 26*
2. If required, adjust the programme settings.

12.3 Loading laundry


Note: To prevent creasing, note the maximum load for the programmes.
→ *"Programmes", Page 26*

Requirements

- The laundry is prepared and sorted.
→ *"Laundry", Page 28*
 - The drum is empty.
1. Open the door.
 2. Place the laundry in the drum.
 3. Close the door.
Ensure that there is no laundry trapped in the door.

12.4 Starting the programme

Requirement: A programme is set.
→ *"Setting a programme", Page 29*

- ▶ Press  **Inicio/Pausa+Carga**.
- ✓ The display shows the programme duration or the "Ready in" time.
- ✓ After the programme has ended, the display shows: "End".

Note: If "Hot" appears, the appliance cools the laundry.
When "Hot" goes out, the laundry has cooled down.

12.5 Adding laundry


After the programme starts, you can remove or add laundry at any time.

Requirement: A programme has started.

→ *"Starting the programme", Page 29*

1. Press  **Inicio/Pausa+Carga**.

The cooling process starts automatically after approximately 30 seconds and cools down the laundry while the drum is rotating. If you want to avoid or cancel the cooling process, open the door.
→ *"Display", Page 20*

2. Open the door.
3. Add or remove laundry.
4. Close the door.
5. Press  **Inicio/Pausa+Carga**.

12.6 Cancelling the programme

1. Press **▷|| Inicio/Pausa+Carga**.
2. Open the appliance door.
3. Remove the laundry.
→ "Unloading the laundry",
Page 30

12.7 Unloading the laundry

1. Open the door.
2. Remove the laundry from the drum.

12.8 Switching off the appliance

- ▶ Turn the programme selector to **○**.

12.9 Fluff filter


During drying, fluff from the laundry is collected in the fluff filter. The fluff filter protects the appliance from fluff.

Cleaning the fluff filter

If the drying programme has finished or the display shows a notification while the appliance is in operation, clean the fluff filter.

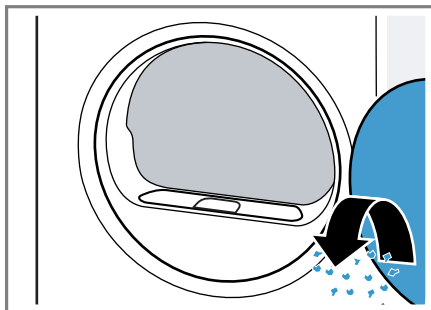
Note: If you do not clean the appliance as described, the appliance's functionality may be impaired.

Requirements

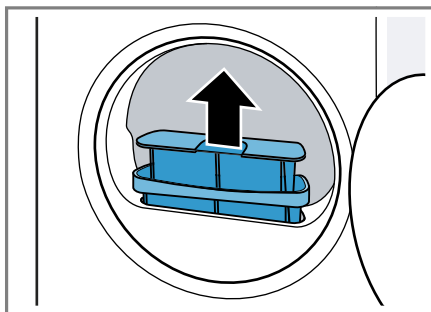
- The display shows the following after drying: "End"
- or during operation: 

1. Open the door.

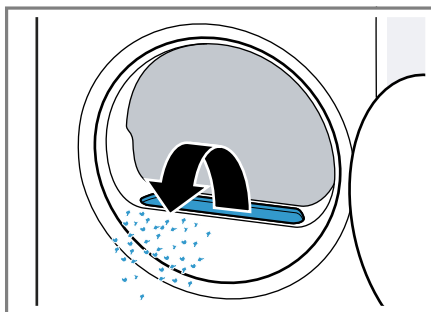
2. Remove the fluff from the door.



3. Remove the two-part fluff filter.

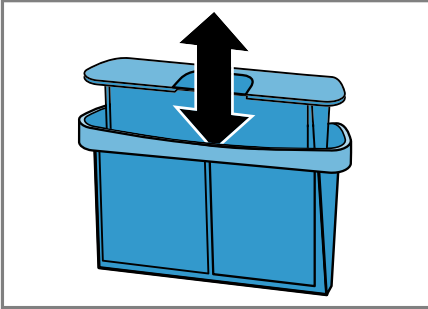


4. Remove the fluff from the recess.

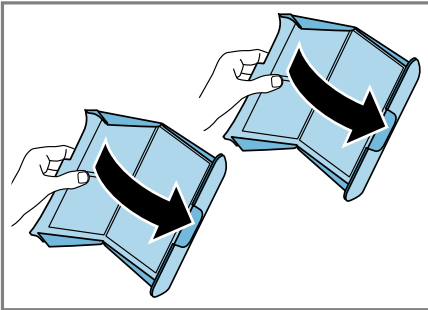


Ensure that no fluff falls into the air channel.

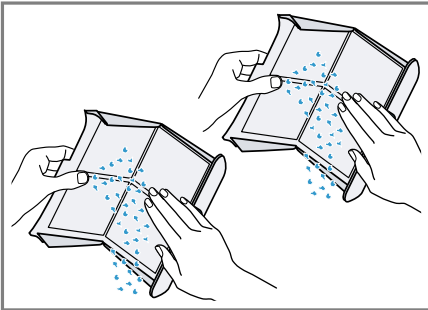
5. Disconnect the two-part fluff filter.



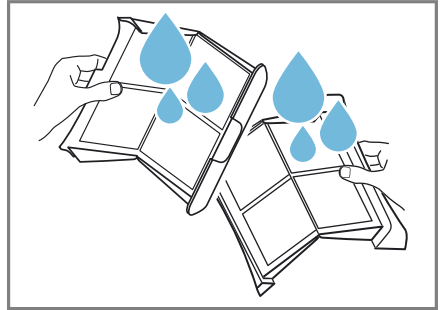
6. Open the two fluff filters.



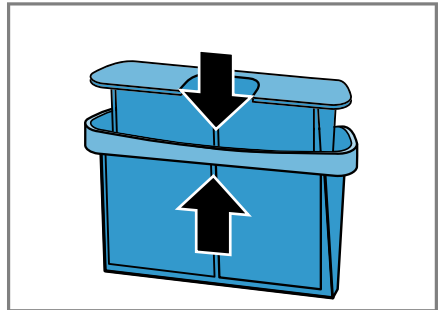
7. Remove the fluff.



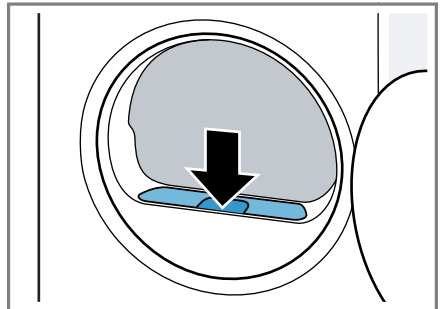
8. Clean the two fluff filters thoroughly under warm, running water and then dry them off.



9. Close the two fluff filters and put them together.



10. Insert the two-part fluff filter.



11. Close the door.

12.10 Condensation container

Condensation forms during drying, which your appliance uses for automatic cleaning. By default, the condensation is collected in the appliance's condensation container.

Note: Operate this appliance using the water drain hose provided. If you connect the water drain hose → *Page 14*, you do not have to regularly empty the condensation container → *Page 32*.

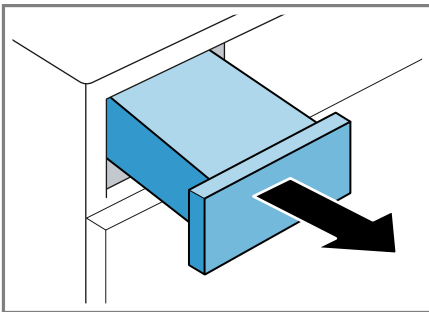
Emptying the condensation container

If the drying programme has finished or the display shows a notification while the appliance is in operation, empty the condensation container.

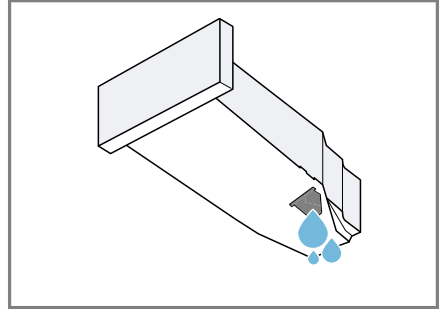
Requirements

- The display shows the following after drying: "End"
- or during operation: ☹️.

1. Pull out the condensation container, keeping it level.



2. Empty the condensation container.

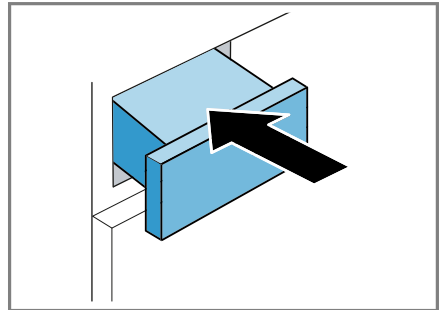


Check the condensation container filter → *Page 44* regularly and clean the filter if it is dirty. Make sure that you insert the condensation container before operating the appliance.
→ *"Inserting the condensation container", Page 32*

Inserting the condensation container

Requirement: The condensation container → *Page 32* is removed from the appliance.



- ▶ Push the condensation container in as far as it will go.



13 Childproof lock



Secure your appliance against being operated unintentionally using the controls.

13.1 Activating the childproof lock

- ▶ Press and hold the two  **3 seg** buttons for approx. 3 seconds.
- ✓ The display shows .
- ✓ The controls are locked.
- ✓ The childproof lock remains active even after the appliance has been switched off and in the event of a power failure.

13.2 Deactivating the childproof lock

Requirement: To deactivate the childproof lock, the appliance must be switched on.

- ▶ Press and hold the two  **3 seg** buttons for approx. 3 seconds.
- ✓  goes out in the display.

14 Wool basket

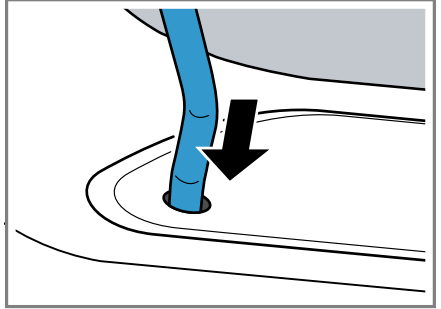
Use the wool basket to gently dry delicate fabrics, soft toys or sports shoes in a stationary position.

Note: You can order this optional → "Accessories", Page 28 from our customer service.

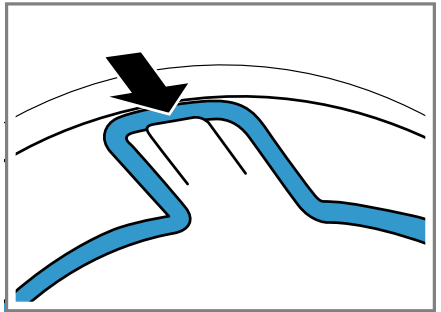
14.1 Inserting the wool basket

1. Open the door.
Make sure that the drum is empty.

2. Insert the feet of the wool basket into the holes in the fluff filter.



3. Insert the tab on the front of the wool basket into the upper hooks.



14.2 Starting a programme with the wool basket

ATTENTION!

If items of laundry in the wool basket touch the rotating drum or the ribs of the drum, the laundry may cause material damage and damage to the appliance.

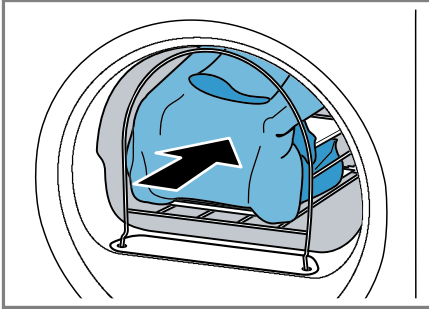
- ▶ Place the items of laundry in the insert or wool basket such that they do not touch the drum or the ribs of the drum.

Requirement: The wool basket is inserted into the appliance.

→ "Inserting the wool basket", Page 33

en Wool basket

- Place the laundry into the wool basket, either directly or using the insert.
→ "Examples of how to use the wool basket", Page 34



- Close the door.
- Set the programme for the wool basket or a timed programme.
→ "Programmes", Page 26
- If necessary, adjust the duration of the timed programme.
→ "Buttons", Page 24

Observe the recommended programme duration for items of laundry in the wool basket:

Laundry item	Programme duration in hours:minutes
Thin woollen pullover	Approx. 1:20
Thick woollen pullover	Approx. 1:30 - 3:00
Skirt	Approx. 1:00 - 1:30
Trousers	Approx. 1:00 - 1:30
Gloves	Approx. 0:30
Sports shoes	Approx. 1:30/ max. 2:00 with airing

Tip: Increase the programme duration for thick or multi-layered items of laundry.

- Start the programme → Page 29.
- Remove the wool basket once the programme has ended.

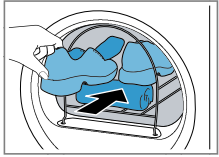
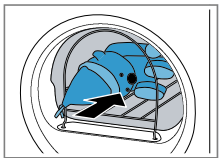
14.3 Examples of how to use the wool basket

ATTENTION!

If items of laundry in the wool basket touch the rotating drum or the ribs of the drum, the laundry may cause material damage and damage to the appliance.

- Place the items of laundry in the insert or wool basket such that they do not touch the drum or the ribs of the drum.

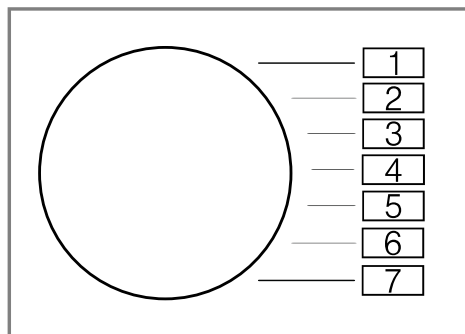
Example	Use
<p>Trousers or skirt</p>	Place the items of laundry unfolded into the insert. Note: Spin the laundry before drying.
<p>Pullover</p>	

Example	Use
<p data-bbox="81 156 246 188">Sports shoes</p> 	<p data-bbox="311 156 534 550">Lift the tongues of the shoes. Remove the in-soles or heel cushions. Place a rolled-up hand towel in the wool basket to create an inclined surface. Place the shoes on the towel with the heels facing down.</p> <p data-bbox="311 558 534 726">Note: Do not use the insert. Do not dry leather shoes or shoes with leather parts.</p>
<p data-bbox="81 730 190 762">Soft toys</p> 	<p data-bbox="311 730 534 821">Place the soft toy in the wool basket.</p> <p data-bbox="311 829 534 1051">Note: Do not use the insert. If you place numerous or small soft toys in the wool basket, make sure they do not fall out.</p>

15 Basic settings

You can configure the basic settings for your appliance to meet your needs.

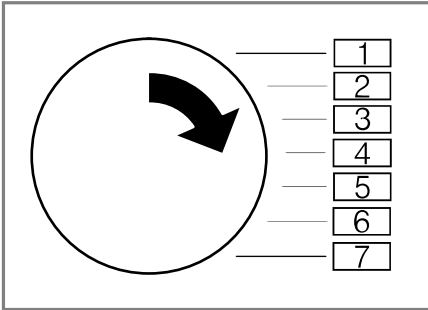
15.1 Overview of the basic settings

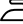



Basic setting	Programme position	Value	Description
End signal	2	0 (off) 1 (quiet) 2 (medium) 3 (loud) 4 (very loud)	Set the volume of the signal at the end of the programme.
Button signal	3	0 (off) 1 (quiet) 2 (medium) 3 (loud) 4 (very loud)	The volume of the audible signal emitted when the buttons are pressed.
Programme counter	5	42 ¹	Display the number of started programmes.
¹ Example			

15.2 Changing the basic settings

1. Set the programme selector to position 1.



2. Press  **Seco** and, at the same time, turn the programme selector to position 2.
 - ✓ The display shows the current value.
3. Set the programme selector to the required position.
 - "Overview of the basic settings", Page 36
4. To change the value, press  **Terminado en/em**.
5. To save the changes, switch off the appliance.

16 Appliance care

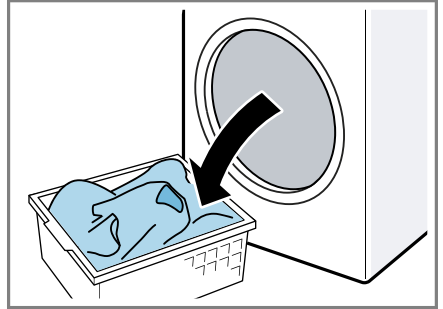
16.1 Preparing the appliance for the appliance care programme

The appliance must be prepared before basic or intensive appliance care is carried out.

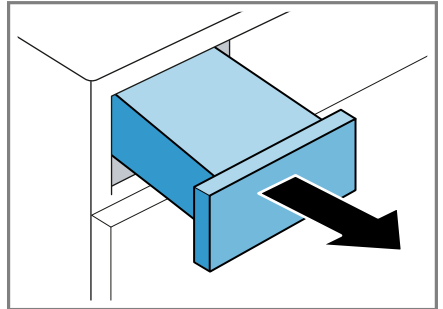
Requirement: The fluff filter has been cleaned.

→ "Cleaning the fluff filter", Page 30.

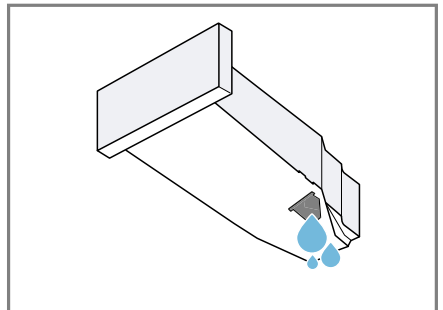
1. Remove the laundry.



2. Close the appliance door.
3. Pull out the condensation container, keeping it level.



4. Empty the condensation container
 - Page 32.

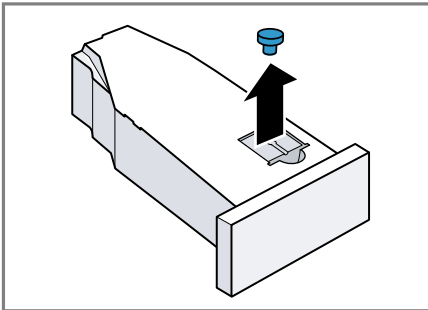


16.2 Preparing the condensation container for the appliance care programme

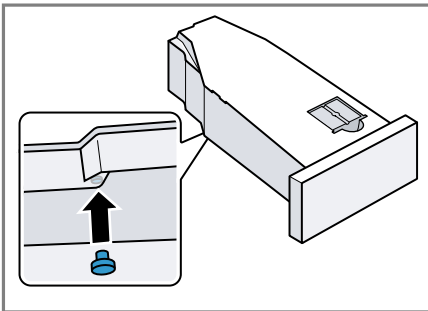
Note: If the condensation is drained using the drain hose, the condensation container must be prepared before the basic or intensive appliance care programme.

→ "Water drain hose", Page 13

1. Remove the stopper from the recess in the condensation container.



2. Insert the plug from below.



- ✓ The condensation container is ready for the appliance care programme.

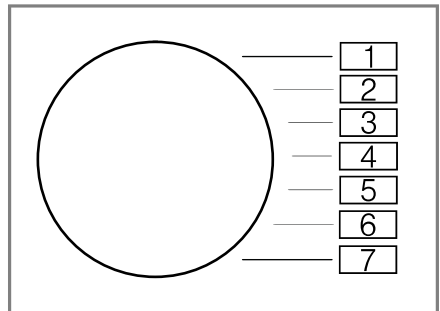
Note: If the condensation is drained using the drain hose, perform the above-mentioned steps after the basic or intensive appliance care programme in the reverse order.



16.3 Starting the appliance care programme

Requirements

- The appliance is ready to run the appliance care programme.
→ "Preparing the appliance for the appliance care programme", Page 37.
- The condensation container is ready for the appliance care programme.
→ "Preparing the condensation container for the appliance care programme", Page 38.

1. Set the programme to position 1.



2. Press and hold  **Seco**.
3. Set the programme to position 4.
4. Release  **Seco**.
- ✓ "CP1" and the programme duration alternate on the display.

16.4 Running the basic appliance care programme on the appliance

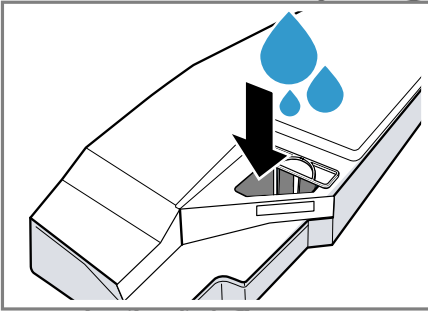
To remove any light soiling, you can run a basic appliance care programme.

Note: After a certain period of use, the appliance automatically recommends that you run the basic appliance care programme. Before the start and end of the programme, the display shows the note "CrE" for 5

seconds. The note is shown repeatedly until the basic appliance care programme has been run completely.

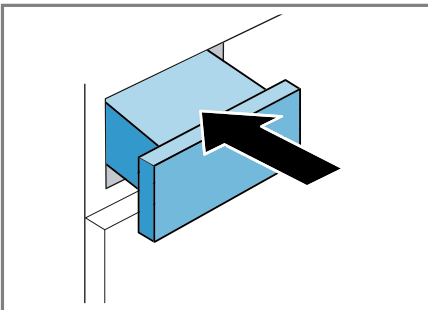
Requirements

- The appliance is ready to run the appliance care programme.
→ "Preparing the appliance for the appliance care programme", Page 37.
 - The appliance care programme has started.
→ "Starting the appliance care programme", Page 38
1. Add approx. 1 ½ litres of hot tap water into the condensation container.



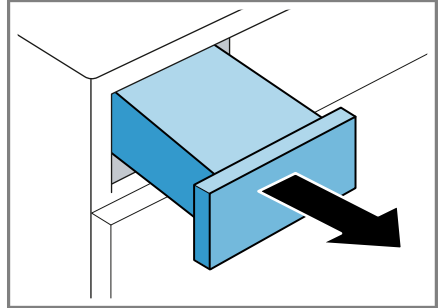
Hold the full condensation container level so that no liquid spills out.

2. Insert the condensation container so that it locks into place.

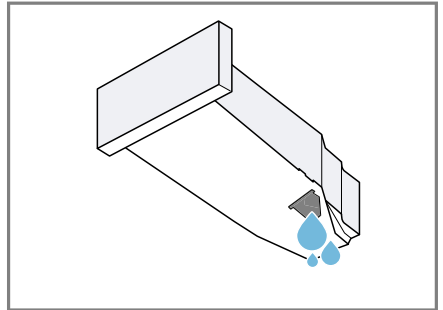


3. Press  **Inicio/Pausa+Carga**.

- ✓ The appliance care programme starts and an audible signal sounds.
 - ✓ "End" appears on the display once the appliance care programme has ended and an audible signal sounds.
4. Pull out the condensation container, keeping it level.

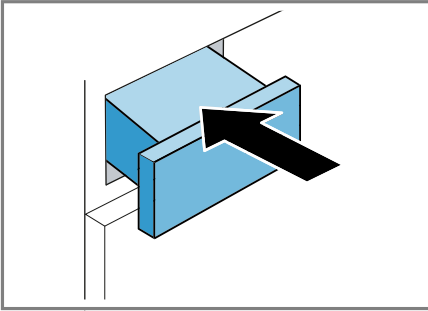


5. Empty the condensation container
→ Page 32.



en Appliance care

6. Insert the condensation container so that it locks into place.



- ✓ The appliance care programme has been completed.

Note: If the condensate water has been drained from the machine via the drain hose, please follow the steps in → "Preparing the condensation container for the appliance care programme", Page 38 in reverse order, after both the intensive and regular cleaning processes.

16.5 Preparing the appliance for the intensive appliance care programme

If the appliance is not used for more than one month, stubborn dirt or odours may occur. To remove this, you can run an intensive appliance care programme.

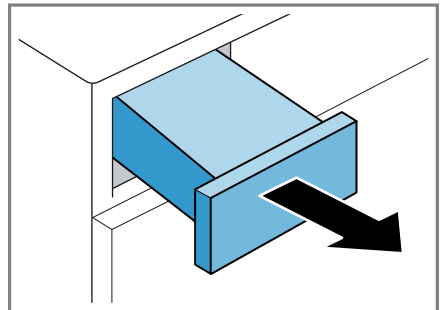
Note: The intensive appliance care programme runs for approximately 4 hours. The programme may take longer if you do not carry out the necessary steps in good time while the programme is running. Once it has started, the intensive appliance care programme should not be cancelled.

Requirements

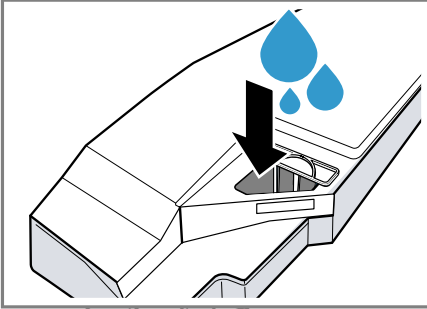
- The appliance is ready to run the appliance care programme.
→ "Preparing the appliance for the appliance care programme", Page 37.
- The appliance care programme has started.
→ "Starting the appliance care programme", Page 38
- ▶ Press **+**.
- ✓ "CP2" and the programme duration alternate on the display.

16.6 Running the intensive appliance care programme

1. Pull out the condensation container horizontally and empty it.

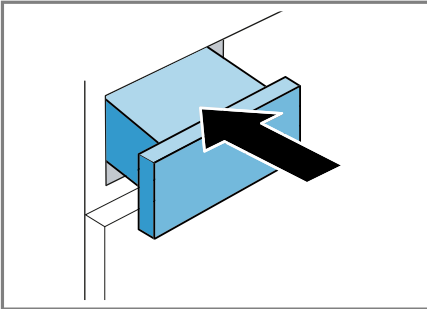


2. Pour a bottle of the original appliance care product
→ "Accessories", Page 28 and approx. 1 ½ litres of warm tap water into the condensation container.



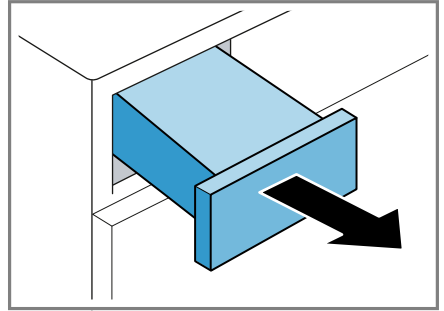
Hold the full condensation container level so that no liquid spills out.

3. Insert the condensation container so that it locks into place.

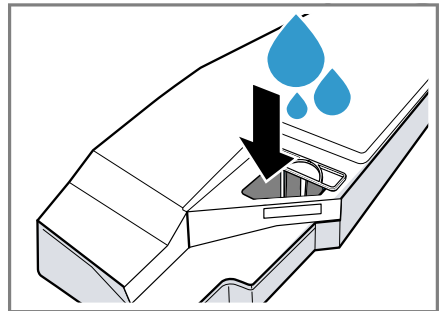


4. Press **▷|| Inicio/Pausa+Carga**. The appliance care programme starts and an audible signal sounds. After around 3 hours, the appliance pauses the appliance care programme and the remaining programme duration flashes on the display.

5. Pull out the condensation container horizontally and empty it.

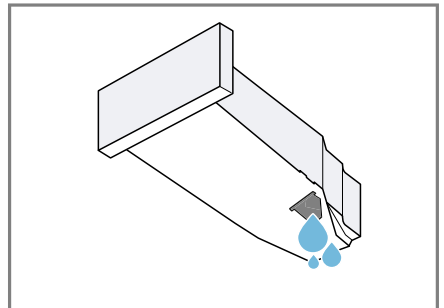


6. Add approx. 1 ½ litres of hot tap water into the condensation container.



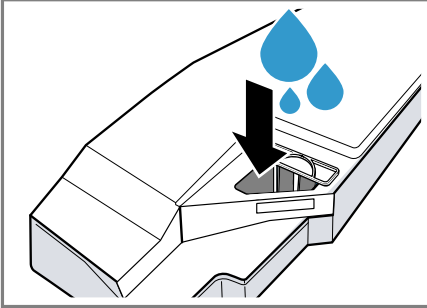
Hold the full condensation container level so that no liquid spills out.

7. Carefully tip and empty the condensation container horizontally in order to remove any remaining original care product.



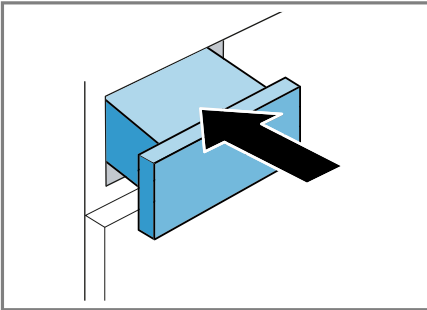
16.7 Ending the intensive appliance care programme

1. Add approx. 1 ½ litres of hot tap water into the condensation container.



Hold the full condensation container level so that no liquid spills out.

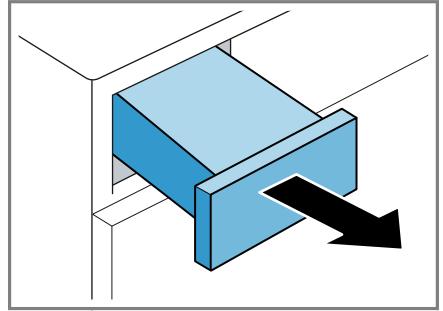
2. Insert the condensation container so that it locks into place.



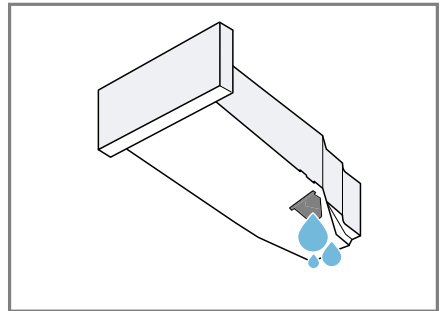
3. Press  **Inicio/Pausa+Carga**.

- ✓ The appliance care programme is resumed. "End" appears on the display and a signal tone sounds once the appliance care programme has ended.

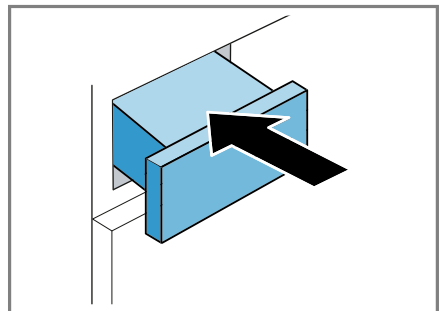
4. Pull out the condensation container, keeping it level.



5. Empty the condensation container → Page 32.



6. Insert the condensation container so that it locks into place.



7. Switch off the appliance.
→ "Switching off the appliance",
Page 30

- ✓ The appliance care programme has been completed.

Note: If the condensate water has been drained from the machine via the drain hose, please follow the steps in
 → "Preparing the condensation container for the appliance care programme", Page 38 in reverse order, after both the intensive and regular cleaning processes.

17 Cleaning and servicing

To keep your appliance working efficiently for a long time, it is important to clean and maintain it carefully.

Note: You can find further information in the digital instruction manual by scanning the QR code in the table of contents or on www.bosch-home.com.

17.1 Tips on cleaning and care

Wipe down the housing and the controls with nothing but water and a damp cloth.	This ensures the parts of the appliance will remain clean and hygienic.
Remove all detergent residue, spray residue or other residues immediately.	Fresh deposits are easier to remove without leaving any residue.
Leave the appliance door open after use.	This allows the residual water to dry, reducing odours in the appliance.

17.2 Moisture sensor

The moisture sensor in this appliance measures how damp the laundry is during the drying cycle. The appliance changes the duration of the automatic programme depending on the residual moisture in the laundry.

Cleaning the moisture sensor

Over time, residue from limescale, detergents and care products can build up on the moisture sensor. Clean the moisture sensor regularly.

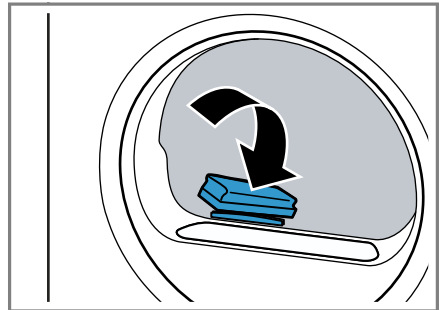
ATTENTION!

Hard or rough objects may damage the moisture sensor.

- ▶ Do not use hard or rough objects, abrasive cleaning products or steel wool for cleaning.

Note: If you do not clean the appliance as described, the appliance's functionality may be impaired.

1. Open the door.
2. Clean the moisture sensor with a sponge.



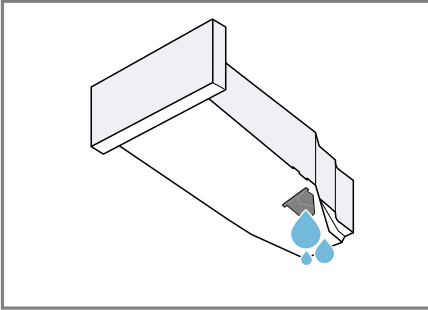
17.3 Condensation container filter

During drying, fluff from the laundry gets into the condensation. The filter in the condensation container protects the appliance from fluff.

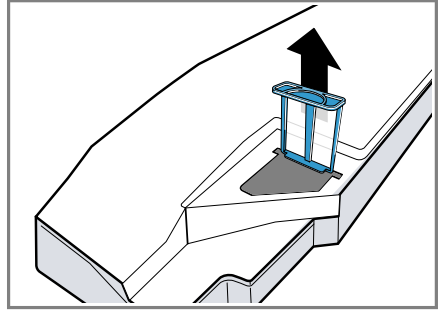
Clean the filter for the condensation tank.

The filter is cleaned automatically when the condensation container is emptied. Check the filter regularly and clean the filter if it is dirty.

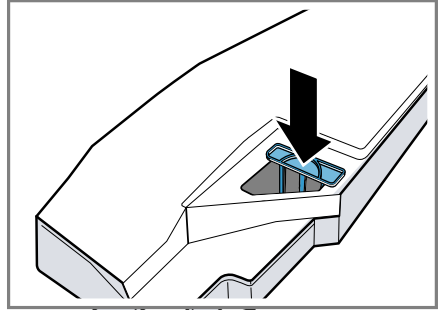
1. Empty the condensation container.
→ "Emptying the condensation container", Page 32



2. Remove the filter.



3. Clean the filter under warm, running water or in the dishwasher.
4. Slide in the filter as far as it will go.



5. Insert the condensation container.
→ "Inserting the condensation container", Page 32

18 Troubleshooting

You can rectify minor faults on your appliance yourself. Read the troubleshooting information before contacting after-sales service. This will avoid unnecessary costs.





WARNING



Risk of electric shock!


Incorrect repairs are dangerous.

- ▶ Repairs to the appliance should only be carried out by trained specialist staff.
- ▶ Only use genuine spare parts when repairing the appliance.
- ▶ If the power cord of this appliance is damaged, it must be replaced by the manufacturer, the manufacturer's Customer Service or a similarly qualified person in order to prevent any risk.

Fault	Cause and troubleshooting
"Hot" and the drum rotates.	Cooling process active. <ol style="list-style-type: none"> 1. Not a fault. 2. Do not change the programme during the cooling process. <p>Note: The cooling process takes up to 10 minutes. You can continue to operate the appliance.</p>
Humming noise.	Compressor active. <ul style="list-style-type: none"> ▶ Not a fault – normal operating noise.
The display goes out and  Inicio/Pausa + Carga flashes.	Energy-saving mode is active <ul style="list-style-type: none"> ▶ Press any button. ✓ The symbol lights up again.
"CrE"	After a period of operation, the appliance automatically recommends that you run the basic appliance care programme. <ul style="list-style-type: none"> ▶ → <i>"Running the basic appliance care programme on the appliance", Page 38</i>
	Fluff filter is soiled. <ul style="list-style-type: none"> ▶ → <i>"Cleaning the fluff filter", Page 30</i>
The appliance is not working.	The mains plug of the power cord is not plugged in. <ul style="list-style-type: none"> ▶ Connect the appliance to the power supply. <hr/> The circuit breaker in the fuse box has tripped. <ul style="list-style-type: none"> ▶ Check the circuit breaker in the fuse box. <hr/> There has been a power cut. <ul style="list-style-type: none"> ▶ Check whether the lighting in your kitchen or other appliances are working.

Fault	Cause and troubleshooting
Appliance paused, but the drum is rotating.	Cooling process active. ▶ Not a fault – no action required.
Creasing.	<p>The load is too large.</p> <p>▶ Observe the maximum load capacity of the → "Programmes", Page 26.</p> <hr/> <p>The laundry lies in the drum for too long after drying.</p> <ol style="list-style-type: none"> 1. Remove the laundry from the drum as soon as the drying programme has finished. 2. Spread the items of laundry for cooling. <hr/> <p>Unsuitable programme for the type of fabric.</p> <p>▶ Set the suitable programme for the type of fabric. → "Programmes", Page 26</p> <hr/> <p>Easy-Care fabrics are dried for too long.</p> <p>▶ → "Changing the dryness level", Page 25. ▶ → "Adjusting the dryness level", Page 25.</p> <hr/> <p>Anti-Crease not activated.</p> <p>▶ Activate the Anti-Crease function. → "Buttons", Page 23</p>
🌀 and programme terminated.	<p>Condensation tank filled.</p> <ol style="list-style-type: none"> 1. → "Emptying the condensation container", Page 32. 2. → "Inserting the condensation container", Page 32. 3. → "Starting the programme", Page 29. <hr/> <p>Water drain hose is caught or jammed.</p> <ol style="list-style-type: none"> 1. Ensure that the water drain hose is not kinked or trapped. 2. Route the water drain hose without kinks. <hr/> <p>Water drain hose is not connected correctly.</p> <p>▶ Ensure that the water drain hose is connected correctly. → "Connecting the water drain hose", Page 14</p> <hr/> <p>Water drain hose is blocked.</p> <p>▶ Rinse the water drain hose with tap water.</p> <hr/> <p>The filter for the condensation tank is soiled.</p> <p>▶ → "Clean the filter for the condensation tank.", Page 44.</p>
Condensation in the condensation tank even though the water drain hose is connected.	<p>The appliance uses condensation for the automatic self-cleaning.</p> <p>▶ Not a fault – no action required.</p> <hr/> <p>Water drain hose is not connected correctly.</p>

Fault	Cause and troubleshooting
Condensation in the condensation tank even though the water drain hose is connected.	<ul style="list-style-type: none"> ▶ Ensure that the water drain hose is connected correctly. → <i>"Connecting the water drain hose", Page 14</i>
The programme does not start.	<p>Childproof lock is activated.</p> <ul style="list-style-type: none"> ▶ → <i>"Deactivating the childproof lock", Page 33</i>
	<p>You have not pressed  Inicio/Pausa+Carga.</p> <ul style="list-style-type: none"> ▶ Press  Inicio/Pausa+Carga.
	<p>No programme set.</p> <ol style="list-style-type: none"> 1. → <i>"Setting a programme", Page 29.</i> 2. → <i>"Starting the programme", Page 29.</i>
The length of the programme changes during the drying cycle.	<p>The programme operation is optimised electronically. This may change the programme duration.</p> <ul style="list-style-type: none"> ▶ Not a fault – no action required.
Pumping noise.	<p>Condensation pump active.</p> <ul style="list-style-type: none"> ▶ Not a fault – normal operating noise.
Buzzing noise.	<p>Compressor ventilation active.</p> <ul style="list-style-type: none"> ▶ Not a fault – normal operating noise.
The drying time is too long.	<p>Fluff filter is soiled.</p> <ul style="list-style-type: none"> ▶ → <i>"Cleaning the fluff filter", Page 30</i>
	<p>The ambient temperature is greater than 30 °C.</p> <ul style="list-style-type: none"> ▶ Ensure that the ambient temperature is lower than 30 °C.
	<p>The ambient temperature is lower than 15 °C.</p> <ul style="list-style-type: none"> ▶ Ensure that the ambient temperature is above 15 °C.
	<p>Insufficient air circulation at the appliance's installation location.</p> <ul style="list-style-type: none"> ▶ Ventilate the appliance's installation location.
	<p>The appliance's ventilation opening is blocked.</p> <ul style="list-style-type: none"> ▶ Ensure that the ventilation opening of the appliance is kept clear.
	<p>Heat exchanger is soiled.</p> <ul style="list-style-type: none"> ▶ → <i>"Running the basic appliance care programme on the appliance", Page 38</i>

Fault	Cause and troubleshooting
	<p>Automatic self-cleaning function rinses the appliance's heat exchanger.</p> <ol style="list-style-type: none"> 1. Not a fault. 2. Do not pull out the condensation tank. 3. Do not cancel the programme.
Water is leaking from the appliance.	<p>Appliance is not correctly aligned.</p> <ul style="list-style-type: none"> ▶ → <i>"Aligning the appliance", Page 16</i> <hr/> <p>Water drain hose is not connected correctly.</p> <ul style="list-style-type: none"> ▶ Ensure that the water drain hose is connected correctly. → <i>"Connecting the water drain hose", Page 14</i>
The laundry is too damp.	<p>Unsuitable programme for the type of fabric.</p> <ul style="list-style-type: none"> ▶ Set a timed programme for the subsequent drying. → <i>"Programmes", Page 26</i> <hr/> <p>There has been a power cut.</p> <ul style="list-style-type: none"> ▶ Check whether the lighting in your kitchen or other appliances are working. <hr/> <p>The load is too large.</p> <ul style="list-style-type: none"> ▶ Observe the maximum load capacity of the → <i>"Programmes", Page 26.</i> <hr/> <p>After the end of the programme, warm laundry feels damper than it actually is.</p> <ol style="list-style-type: none"> 1. Remove the laundry from the drum as soon as the drying programme has finished. 2. Spread the items of laundry for cooling. <hr/> <p>Unsuitable dryness level set.</p> <ul style="list-style-type: none"> ▶ → <i>"Changing the dryness level", Page 25.</i> <hr/> <p>Drying target not adjusted.</p> <ul style="list-style-type: none"> ▶ → <i>"Adjusting the dryness level", Page 25.</i> <hr/> <p>Load too small.</p> <ul style="list-style-type: none"> ▶ Set a timed programme for the subsequent drying. → <i>"Programmes", Page 26</i> <hr/> <p>Moisture sensor dirty.</p> <ul style="list-style-type: none"> ▶ → <i>"Cleaning the moisture sensor", Page 43.</i> <hr/> <p>The drying process is interrupted and the condensation tank has been filled.</p> <ol style="list-style-type: none"> 1. → <i>"Emptying the condensation container", Page 32.</i> 2. → <i>"Inserting the condensation container", Page 32.</i> 3. → <i>"Starting the programme", Page 29.</i>

Fault	Cause and troubleshooting
Odours have formed in the appliance.	Stubborn dirt in the appliance or an extended appliance downtime of more than one month. ▶ → " <i>Preparing the appliance for the intensive appliance care programme</i> ", Page 40.

19 Transportation, storage and disposal

19.1 Preparing the appliance for transportation

ATTENTION!

If the appliance is operated immediately after transportation, the refrigerant contained in the appliance may result in damage to the appliance.

- ▶ Immediately after transporting the appliance, leave it to rest for two hours before putting it into operation.

Tip: The appliance may contain residual water, which may drip out of it when transported. The appliance should be transported upright.

Requirements

- The condensation container is emptied. Emptying the condensation container → *Page 32*
 - The appliance has been switched on.
→ *"Switching on the appliance", Page 29*
1. Set any programme → *Page 29*.
 2. Start the programme → *Page 29* and wait 5 minutes.
 - ✓ The condensation is drained.
 3. Switch off the appliance.
→ *"Switching off the appliance", Page 30*
 4. Remove the water drain hose from the connection point.
→ *"Water outlet connection types", Page 15*
 5. Secure the water drain hose on the appliance against unintentional loosening.
Ensure that you do not bend the water drain hose.

6. Empty the condensation container
→ *Page 32*.
7. Insert the condensation container
→ *Page 32*.
8. Disconnect the appliance's mains plug from the power supply.
 - ✓ The appliance is now ready to be transported.

19.2 Disposing of old appliance

Valuable raw materials can be re-used by recycling.

WARNING **Risk of harm to health!**

Children can lock themselves in the appliance, thereby putting their lives at risk.

- ▶ Do not install the appliance behind a door as this may obstruct the appliance door or prevent it from opening.
- ▶ With redundant appliances, unplug the power cord. Then cut through the cord and damage the lock on the appliance door beyond repair so that the appliance door will no longer close.

WARNING **Risk of fire!**

The refrigerant R290 used in this appliance is environmentally friendly. It is however flammable and may ignite if appliances are not disposed of properly.

- ▶ Dispose of the appliance properly.
 - ▶ Do not damage the tubing of the refrigerant circuit.
1. Unplug the appliance from the mains.
 2. Cut through the power cord.
 3. Dispose of the appliance in an environmentally friendly manner.

Information about current disposal methods are available from your specialist dealer or local authority.



This appliance is labelled in accordance with European Directive 2012/19/EU concerning used electrical and electronic appliances (waste electrical and electronic equipment - WEEE). The guideline determines the framework for the return and recycling of used appliances as applicable throughout the EU.

20.1 Product number (E-Nr.) and production number (FD)

You can find the product number (E-Nr.) and the production number (FD) on the appliance's rating plate.

Depending on the model, the rating plate is located:

- On the inside of the door.
- On the inside of the maintenance flap.
- On the rear of the appliance.

Make a note of your appliance's details and the Customer Service telephone number to find them again quickly.

20 Customer Service

Function-relevant genuine spare parts according to the corresponding Eco-design Order can be obtained from Customer Service for a period of at least 10 years from the date on which your appliance was placed on the market within the European Economic Area.


Note: Under the terms of the manufacturer's warranty the use of Customer Service is free of charge.

Detailed information on the warranty period and terms of warranty in your country is available from our after-sales service, your retailer or on our website.

If you contact Customer Service, you will require the product number (E-Nr.) and the production number (FD) of your appliance.

The contact details for Customer Service can be found in the enclosed Customer Service directory or on our website.

21 Consumption values





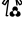
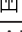

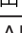




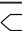

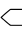



The  **Algod. Eco @** programme (denoted by the arrow symbol) is suitable for drying cotton laundry with a normal dampness level, and is the most efficient programme for drying damp cotton laundry in terms of combined energy consumption.

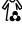















The consumption values for this programme that are declared on the energy label refer to a moisture content of the laundry of 60%.

The values specified for other programmes are indicative only and were determined in accordance with the applicable standard EN61121.

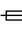
The actual values may deviate from the indicated values depending on the type of fabric, composition of laundry to be dried, residual moisture in the fabric, set degree of dryness, amount of laundry being loaded, environmental conditions and the activation of additional functions.

The expected programme duration/"Ready in" time that is shown on the appliance display when selecting the programme is based on the spin speed in the washing machine of 1000 rpm when the appliance is delivered.

Programme	Final moisture level (%)	Load (kg)	Spin speed (rpm)	Initial moisture level (%)	Programme duration (h:min)	Energy consumption (kWh/cycle)
Algodón/Algodão  +  Seco	-1.5	9.0	1400	50	2:59	2.07
Algodón/Algodão  +  Seco	-1.5	4.5	1400	50	2:16	1.42
Algodón/Algodão  +  Seco	-1.5	9.0	1000	60	3:19	2.36
Algodón/Algodão  +  Seco	-1.5	4.5	1000	60	2:27	1.58
Algodón/Algodão  +  Seco	-1.5	9.0	800	70	3:39	2.65
Algodón/Algodão  +  Seco	-1.5	4.5	800	70	2:38	1.74
 Algod. Eco @	0.0	9.0	1400	50	2:38	1.77
 Algod. Eco @	0.0	4.5	1400	50	1:51	1.09
 Algod. Eco @	0.0	9.0	1000	60	2:56	2.05
 Algod. Eco @	0.0	4.5	1000	60	2:01	1.25
 Algod. Eco @	0.0	9.0	800	70	3:14	2.34
 Algod. Eco @	0.0	4.5	800	70	2:12	1.41

Programme	Final moisture level (%)	Load (kg)	Spin speed (rpm)	Initial moisture level (%)	Programme duration (h:min)	Energy consumption (kWh/cycle)
Algodón/Algodão  +  Seco	12.0	9.0	1400	50	1:47	1.19
Algodón/Algodão  +  Seco	12.0	4.5	1400	50	1:12	0.70
Algodón/Algodão  +  Seco	12.0	9.0	1000	60	2:07	1.49
Algodón/Algodão  +  Seco	12.0	4.5	1000	60	1:23	0.87
Algodón/Algodão  +  Seco	12.0	9.0	800	70	2:28	1.79
Algodón/Algodão  +  Seco	12.0	4.5	800	70	1:34	1.03
Sintéticos  +  Seco	2.0	3.5	800	40	1:00	0.55
Sintéticos  +  Seco	2.0	3.5	600	50	1:09	0.67

22 Technical data

Appliance height	84.2 cm
Appliance width	59.8 cm
Appliance depth	61.3 cm
Appliance depth with door closed	64.8 cm
Appliance depth with door open	109.6 cm
Weight	56.4 kg
Maximum load	9.0 kg
Mains voltage	220-240 V, 50 Hz
 Minimum installation protection	10A
Nominal power	800 W

Power consumption	<ul style="list-style-type: none"> ■ Off mode: 0.15 W ■ Left-on mode: 0.50 W
Ambient temperature	<ul style="list-style-type: none"> ■ Minimum: 5 °C ■ Maximum: 35 °C
Length of the power cord	145 cm

This product contains light sources from energy efficiency class F. These light sources are available as a spare part and must only be replaced by trained specialist staff.

You can find more information about your model online at <https://eprel.ec.europa.eu/>¹. This web address is linked to the official EU EPREL product database. Please then follow the instructions on searching for the model. The model

identifier is made up of the characters before the slash in the product number (E-Nr.) on the rating plate. Alternatively, you can also find the model identifier in the first line of the EU energy label.

¹ Only applies to countries in the European Economic Area



Thank you for buying a Bosch Home Appliance!

Register your new device on MyBosch now and profit directly from:

- **Expert tips & tricks for your appliance**
- **Warranty extension options**
- **Discounts for accessories & spare-parts**
- **Digital manual and all appliance data at hand**
- **Easy access to Bosch Home Appliances Service**

Free and easy registration – also on mobile phones:

www.bosch-home.com/welcome

BOSCH
HOME APPLIANCES
SERVICE

Looking for help? You'll find it here.

Expert advice for your Bosch home appliances, help with problems or a repair from Bosch experts.

Find out everything about the many ways Bosch can support you:

www.bosch-home.com/service

Contact data of all countries are listed in the attached service directory.

BSH Hausgeräte GmbH

Carl-Wery-Straße 34
81739 München, GERMANY
www.bosch-home.com

A Bosch Company



9001646425 (020907)

en

Valid within Great Britain:
Imported to Great Britain by
BSH Home Appliances Ltd.
Grand Union House
Old Wolverton Road
Wolverton, Milton Keynes
MK12 5PT
United Kingdom