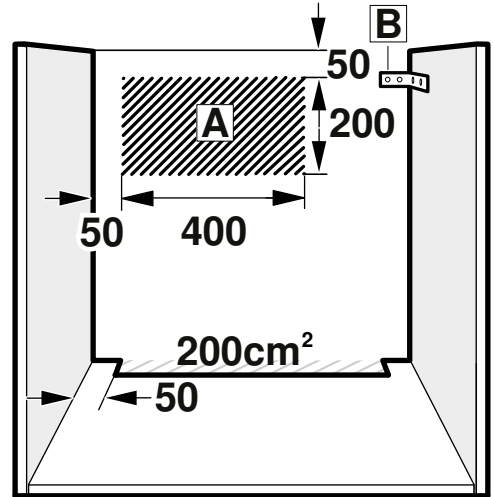
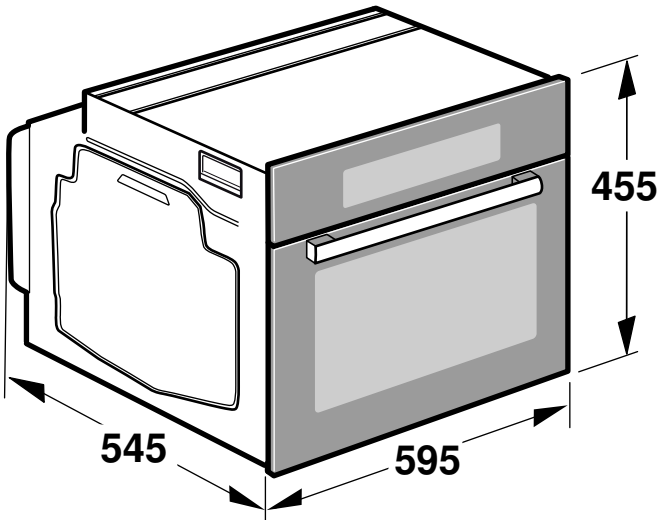
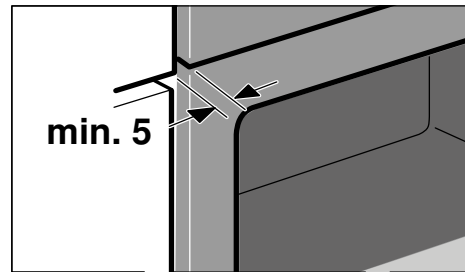
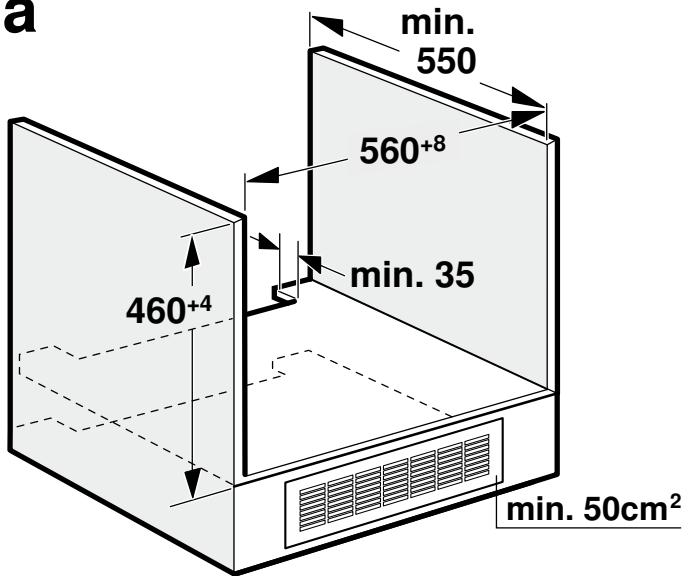




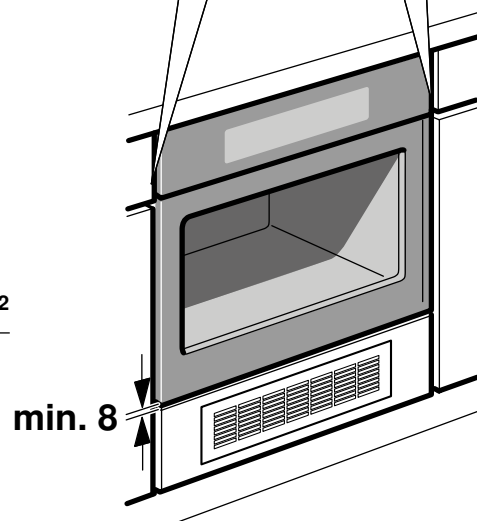
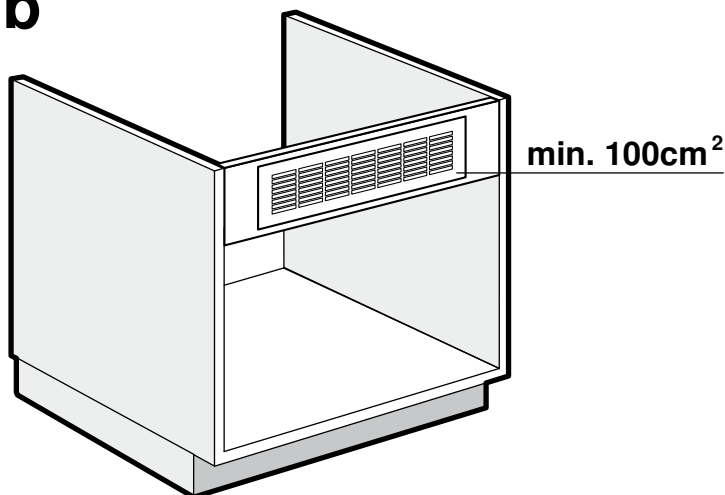
1



2a



2b



Important information (Fig. 1)

- This appliance is designed to be fully integrated into kitchen units. It is not intended to be used as a tabletop appliance or within a cupboard.
- The fitted kitchen cabinet must have a ventilation opening measuring 50 cm² on the front. On surround units without a ventilation cut-out, there must be a ventilation opening measuring 200 cm² towards the rear of the side panels. To do this, trim the base panel or fit a ventilation grille.
- Ventilation slots and intake openings must not be covered.
- Check the appliance for damage after unpacking it. Do not connect the appliance if it has been damaged in transit.
- Before starting up the appliance, remove any packaging material and adhesive film from the cooking compartment and the door.
- Fitted units must be heat-resistant up to 90 °C, and adjacent unit fronts up to 70 °C.
- Do not install the appliance behind a decorative panel, as this puts the appliance at risk of overheating.
- Any cut-outs that need to be made in the units should be made before the appliance is installed. Remove any shavings, as they may prevent the electrical components from working properly.
- Wear protective gloves so that you do not cut yourself. Parts that are accessible during installation may have sharp edges.
- The mains socket for the appliance must either be located in the hatched area **A** or installed in the Wall's left and right side of the cabinet. It is forbidden to install on the decorative board, especially it is forbidden to install any area under the door of appliance.
- Secure any unsecured units to the wall using a standard bracket **B**.
- The dimensions in the figures are in mm.
- The pictures are only for reference. For exact details see the real appliance.

⚠ Wearers of electronic implants!

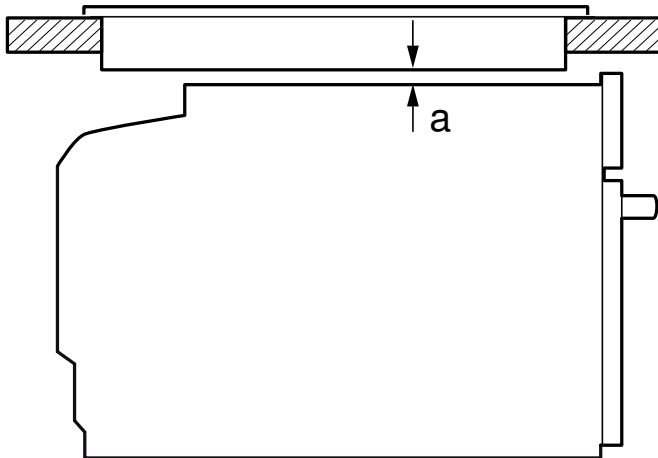
The appliance may contain permanent magnets which may affect electronic implants, e.g. heart pacemakers or insulin pumps. Therefore, during installation, wearers of electronic implants must maintain a minimum distance of 10 cm from the appliance.

Appliance under worktop (Fig. 2)

The fitted cabinet must not have a back panel behind the appliance. There should be a gap of at least 35mm between the wall and the cabinet base as well as the rear panel of the cabinet situated above. (Fig. 2a)

It's suggest to reserve at least 50 cm² ventilation space or fit a ventilation grille at the front of the bottom cabinet, if the appliance is not installed under a cooktop. (Fig. 2a)

If the appliance is installed under a hob, the following minimum dimensions must be adhered to (only valid for BSH cooktops):



Hob type	a
Induction hob	30 mm
Full-surface induction hob	30 mm
Gas cooktop with naturel gas	100 mm

1. For cooktop with natural gas, metal corrugated pipe must be used. A cooktop with liquefied gas and rubber hose must not be combined with this appliance.
2. The distance from the top of appliance to the bottom of the gas cooktop is 100 mm.
3. Ventilation requirements for gas cooktop: at the bottom of cooktop(appliance above), there must be not less than 100 cm² ventilation space in order that the cooktop can be connected with atmospheric air (Fig. 2b), if the conditions are not allowed to have a 100 cm² ventilation space at the bottom of the cooktop, you can make a ventilation space in the side panels of cabinet. If the ventilation spave cannot be satisfied, the combination installation is not allowed.

Proceed in accordance with the installation instructions for the hob.

Appliance in a tall unit (Fig. 3)

The fitted cabinet must not have a back panel behind the appliance. There should be a gap of at least 35mm between the wall and the cabinet base as well as the rear panel of the cabinet situated above.

Do not fit the appliance too high up; it must be possible for accessories to be removed easily.

Combination with warming drawer

First fit the warming drawer. Follow the installation instructions for the warming drawer. Slide the appliance, on the warming drawer, into the built-in cabinet.

Important: When sliding in the appliance, take care not to damage the warming drawer's panel.

Corner installation – Fig. 4

To ensure that the appliance door can be opened in a corner installation, take account of dimension **C**. Dimension **D** is dependent on the thickness of the unit front under the handle.

Connecting the appliance

The appliance corresponds to protection class 1 and must only be operated with a protective earth connection.

The fuse protection must correspond to the power rating specified on the appliance's rating plate and to local regulations.

The appliance must be disconnected from the power supply whenever installation work is being carried out.

The power cable must only be replaced with a cable from the original manufacturer, which can be obtained from the after-sales service.

If the power cable is damaged, it must be replaced by the manufacturer, the after-sales service or a person with equivalent qualifications in order to eliminate any risks.

When the appliance is installed, protection must be provided against accidental contact in the future.

Power cable with a plug with earthing contact

The appliance must only be connected to an earthing contact socket which has been correctly installed.

Securing the appliance (Fig. 5)

1. Using a spirit level, adjust the appliance so that it is perfectly level.
2. Slide the appliance all the way in.
3. Make sure that the appliance is level and centre it.
4. Screw the appliance into place.

The gap between the worktop and appliance must not be sealed by additional strips.

Thermal insulation strips must not be fitted to the side panels of the surround unit.

Removal

1. Disconnect the appliance from the power supply.
2. Undo the securing screws.
3. Lift the appliance slightly and then pull it out completely.

重要資訊 (圖 1)

- 本電器專為廚房裝置的全嵌式安裝而設計。不適合作為桌上型電器或安裝在一般櫥櫃中使用。
- 廚房櫥櫃前方必須保留約50平方公分的通風口。如果外圍裝置上沒有通風口，則必須在側壁後部留一個約200平方公分大小的通風開口。要執行此工作，請裁切底板或安裝通風護柵。
- 請勿遮蔽通風槽與通風口。
- 在開箱後請檢查電器是否有損壞。若電器在運送過程中已經受損，請勿連接電源。
- 啟動電器前，請先清除機體內部及機門的包裝材料和膠膜。
- 安裝本電器的櫥櫃耐熱溫度必須達到90 °C，相鄰的櫥櫃耐熱度必須達到70 °C。
- 請勿將電器安裝在裝潢飾板後方，因為這會造成電器過熱的風險。
- 櫥櫃如需任何施工修整，則務必在安裝電器前完成。清除碎屑等施工殘料，否則可能會影響電器元件正常運作。
- 您應該配戴防護手套，避免割傷。安裝時所接觸的零件可能有尖銳邊緣。
- 電器的主要電源插座必須位於斜線區A或安裝櫥櫃左右的牆面。不得安裝在飾板，特別是不得安裝在機門下方的區域。
- 使用標準托架B，將未固定的物件固定在牆上。
- 圖解的尺寸單位為公釐。
- 圖片僅供參考。確切的資料請參照實際的電器。

△ 電子裝置植入者!

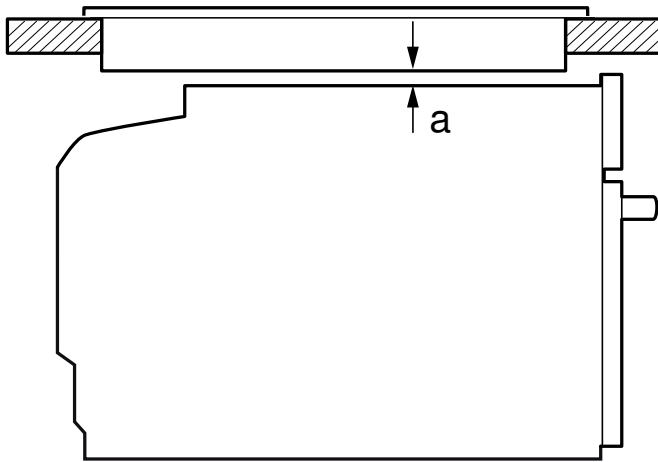
本烤箱可能含有永久磁鐵，因此可能影響電子植入裝置，例如心律調節器或胰島素幫浦。因此，電子裝置植入者在安裝期間應與烤箱保持至少 10 公分距離。

將電器安裝在工作檯下 (圖 2)

在櫥櫃中安裝電器時，電器後方不得有背板。櫥櫃底座和上方櫥櫃的背板與牆壁間應保持至少35公釐的距離。(圖 2a)

若電器並未安裝在爐具下方，則底部櫥櫃的前方建議保留至少50平方公分的通風空間或安裝通風護柵。(圖 2a)

若電器安裝在爐具下方，則必須至少保持以下間距 (僅適用於 BSH 爐具)：



爐具種類	a
感應爐	30公釐
平面感應式爐具	30公釐
使用天然氣的瓦斯爐具	100公釐

1. 對於使用天然氣的爐具，必須選用金屬包覆管。使用液化石油氣和橡膠管的爐具不得搭配本電器安裝。
 2. 電器頂部到瓦斯爐具底部的距離為100公釐。
 3. 瓦斯爐具的通風需求：爐具底部（電器上方）必須保留至少100平方公分的散熱空間，讓爐具可以接觸到足夠的空氣 (圖 2b)，若無法在爐具底部保留100平方公分的通風空間，可在櫥櫃的側面板開口。若無法提供足夠的通風空間，則不得組合安裝。
- 請依照爐具的安裝說明進行安裝。

將電器安裝在高處 (圖 3)

在櫥櫃中安裝電器時，電器後方不得有背板。櫥櫃底座和上方櫥櫃的背板與牆壁間應保持至少35公釐的距離。

請勿將電器安裝過高，使配件必須能夠輕鬆取下。

與暖盤機組合

先安裝暖盤機。依照安裝說明安裝暖盤機。將暖盤機上方的設備推入嵌入式櫥櫃中。

重要事項：推入設備時，請注意不要造成暖盤機面板受損。

角落處安裝 - 圖 4

先丈量尺寸，以確保安裝於角落時烤箱門開啟無虞。C. 尺寸 D 視把手下方的機體正面厚度而定。

連接 裝置

本裝置達安全防護等級1，僅允許在架設接地線的狀況下運轉。必須按照機型銘牌上額定功率及當地法規，做好保險絲防護措施。進行任何安裝作業時，裝置必須保持斷電狀態。更換連接線材時，僅可使用從本公司客戶部門購得的原廠電線。連接線材如有受損，必須送回原廠、本公司客服部門或交由具備相關證照的合格人員進行更換，以免發生危險。必須透過安裝確保不會意外接觸裝置。

有插頭、具接地的電源線

電器僅限插入妥善安裝的接地型插座。

固定電器 (圖 5)

1. 使用水平儀調整電器，確保電器完全水平。
 2. 將電器推到底。
 3. 確認電器安裝時完全水平並將其置中。
 4. 用螺絲鎖於定位。
- 工作檯與電器間的空隙不得用其他邊條加以密封。隔熱條不得用於周圍櫥櫃的側邊嵌板。

拆卸

1. 斷開烤箱的電源供應。
2. 鬆開固定螺絲。
3. 輕輕抬高烤箱，再完全拉出。