



BOSCH



Register your
new appliance
now at MyBosch and
enjoy benefits free of
charge:
[bosch-home.com/
welcome](https://bosch-home.com/welcome)

Extractor hood

DHU635HZA

DHU636HZA

DUL63CA50V

DUL93CA50V

[en]	User manual and installation instructions	Extractor hood	2
[fr]	Manuel d'utilisation et notice d'installation	Hotte	14

Table of contents

INFORMATION FOR USE	6 Basic operation	5
1 Safety	7 Cleaning and servicing	6
2 Avoiding material damage	8 Troubleshooting	7
3 Environmental protection and saving energy	9 Disposal	8
4 Operating modes	10 Customer Service	8
5 Familiarising yourself with your appliance	11 INSTALLATION INSTRUCTIONS	9

1 Safety

Observe the following safety instructions.

1.1 General information

- Read this instruction manual carefully.
- Keep the instruction manual and the product information safe for future reference or for the next owner.
- Do not connect the appliance if it has been damaged in transit.

1.2 Intended use

This appliance is designed only to be built into kitchen units. Read the special installation instructions.

The appliance can only be used safely if it is correctly installed according to the safety instructions. The installer is responsible for ensuring that the appliance works perfectly at its installation location.

Only use this appliance:

- For extracting cooking vapour.
- in private households and in enclosed spaces in a domestic environment.
- Up to an altitude of 2000 m above sea level.

1.3 Restriction on user group

Do not let children play with the appliance. Children must not perform cleaning or user maintenance unless they are at least 15 years old and are being supervised. Keep children under the age of 8 years away from the appliance and power cable.

1.4 Safe use

WARNING – Risk of fire!

Fatty deposits in the grease filters may catch fire.

- ▶ Never operate the appliance without a grease filter.
- ▶ Clean the grease filters regularly.
- ▶ Never work with naked flames close to the appliance (e.g. flambéing).
- ▶ Do not install the appliance near a solid fuel heating appliance (e.g. wood- or coal-burning) unless the heating appliance has a sealed, non-removable cover. There must be no flying sparks.

Hot oil and fat ignites very quickly.

- ▶ Always supervise hot oil and fat.
- ▶ Never extinguish burning oil or fat with water. Switch off the hotplate. Extinguish flames carefully using a lid, fire blanket or something similar and leave to cool down.

When gas burners are in operation without any cookware placed on them, they can build up a lot of heat. A ventilation appliance installed above the cooker may become damaged or catch fire.

- ▶ Only operate the gas burners with cookware on them.

Operating multiple gas hobs at the same time generates a great deal of heat. A ventilation appliance installed above the cooker may become damaged or catch fire.

- ▶ Only operate the gas hobs with cookware on them.
- ▶ Select the highest fan setting.
- ▶ Never operate two gas hobs simultaneously on the highest flame for longer than 15 minutes. Two gas hobs correspond to one large burner.

- ▶ Never operate large burners of more than 5 kW with the highest flame for longer than 15 minutes, e.g. a wok.

Fatty deposits in the grease filters may catch fire.

- ▶ Clean the grease filters regularly.

⚠ **WARNING – Risk of suffocation!**

Children may put packaging material over their heads or wrap themselves up in it and suffocate.

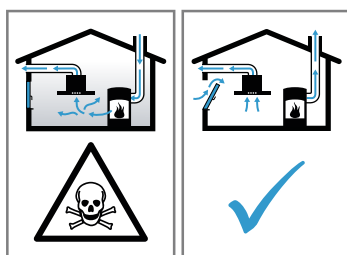
- ▶ Keep packaging material away from children.
- ▶ Do not let children play with packaging material.

Children may breathe in or swallow small parts, causing them to suffocate.

- ▶ Keep small parts away from children.
- ▶ Do not let children play with small parts.

⚠ **WARNING – Risk of poisoning!**

Risk of poisoning from flue gases being drawn back in. Room-air-dependent heat-producing appliances (e.g. gas, oil, wood or coal-operated heaters, continuous flow heaters or water heaters) obtain combustion air from the room in which they are installed and discharge the exhaust gases into the open through an exhaust gas system (e.g. a chimney). With the extractor hood switched on, air is extracted from the kitchen and the adjacent rooms. Without an adequate supply of air, the air pressure falls below atmospheric pressure. Toxic gases from the chimney or the extraction shaft are sucked back into the living space.



- ▶ Always ensure adequate fresh air in the room if the appliance is being operated in exhaust air mode at the same time as a room-air-dependent heat-producing appliance is being operated.
- ▶ It is only possible to safely operate the appliance if the pressure in the room in which the heating appliance is installed does not fall below 4 Pa (0.04 mbar). This can be achieved whenever the air needed for combustion is able to enter through openings that cannot be sealed, for example in doors, windows, incoming/exhaust air wall boxes or

by other technical means. An incoming/exhaust air wall box alone is not sufficient to ensure compliance with the limit.

- ▶ In any case, consult your responsible chimney sweep. They are able to assess the house's entire ventilation setup and will suggest the suitable ventilation measures to you.
- ▶ Unrestricted operation is possible if the appliance is operated exclusively in circulating-air mode.

Using a gas cooking appliance leads to a build-up of heat, moisture and combustion products in the room where the appliance is installed.

- ▶ Switch on the extractor hood when using a gas cooking appliance.

⚠ **WARNING – Risk of burns!**

The accessible parts of the appliance become hot during operation.

- ▶ Never touch these hot parts.
- ▶ Keep children at a safe distance.

The appliance becomes hot during operation.

- ▶ Allow the appliance to cool down before cleaning.

⚠ **WARNING – Risk of injury!**

Components inside the appliance may have sharp edges.

- ▶ Carefully clean the appliance interior. Changes to the electrical or mechanical assembly are dangerous and may lead to malfunctions.

- ▶ Do not make any changes to the electrical or mechanical assembly.

The light emitted by LED lights is very dazzling, and can damage the eyes (risk group 1).

- ▶ Do not look directly into the switched-on LED lights for longer than 100 seconds.

Improper repairs are dangerous.

- ▶ Repairs to the appliance should only be carried out by trained specialist staff.
- ▶ If the appliance is defective, call Customer Service.

→ "Customer Service", Page 8

⚠ **WARNING – Risk of electric shock!**

If the appliance or the power cord is damaged, this is dangerous.

- ▶ Never operate a damaged appliance.
- ▶ Never pull on the power cord to unplug the appliance. Always unplug the appliance at the mains.

- ▶ If the appliance or the power cord is damaged, immediately unplug the power cord or switch off the fuse in the fuse box.
 - ▶ Call customer service. → *Page 8*
- Improper repairs are dangerous.
- ▶ Repairs to the appliance should only be carried out by trained specialist staff.
 - ▶ Only use genuine spare parts when repairing the appliance.
 - ▶ If the power cord of this appliance is damaged, it must be replaced by the manufacturer, the manufacturer's Customer Service or a similarly qualified person in order to prevent any risk.

An ingress of moisture can cause an electric shock.

- ▶ Before cleaning, pull out the mains plug or switch off the fuse in the fuse box.

- ▶ Do not use steam- or high-pressure cleaners to clean the appliance. Penetrating moisture may cause an electric shock.
- ▶ Do not use wet sponge cloths.

⚠ WARNING – Risk of explosion!

Highly caustic alkaline or highly acidic cleaning agents in conjunction with aluminium parts in the interior of the appliance may cause explosions.

- ▶ Never use highly caustic alkaline or highly acidic cleaning agents. In particular, do not use commercial or industrial cleaning agents in conjunction with aluminium parts, e.g. grease filter on extractor hoods.

2 Avoiding material damage

ATTENTION

Condensate may cause corrosion damage.

- ▶ To prevent condensation from building up, switch on the appliance during cooking.

If moisture gets into the controls, this may result in damage.

- ▶ Never clean controls with a wet cloth.

Incorrect cleaning damages the surfaces.

- ▶ Follow the cleaning instructions.
- ▶ Do not use harsh or abrasive detergents.
- ▶ Clean stainless steel surfaces in the direction of the finish only.
- ▶ Never clean controls with stainless steel cleaners.

Condensation that flows back in may damage the appliance.

- ▶ To prevent condensate from returning, fit the exhaust air pipe with a 1° gradient from the appliance.

If you put incorrect stress on the design elements, they may break off.

- ▶ Do not pull design elements.
- ▶ Do not place objects on the design elements or hang objects from them.

There is a risk of surface damage if you do not peel off the protective film.

- ▶ Remove the protective film from all parts of the appliance before using for the first time.

If one lamp is defective, this may overload the remaining lamps.

- ▶ Replace any defective lamps.

Painted surfaces are easily damaged.

- ▶ Follow the cleaning instructions.
→ *"Cleaning the appliance", Page 6*
- ▶ Ensure that the painted surfaces are not scratched.

3 Environmental protection and saving energy

3.1 Disposing of packaging

The packaging materials are environmentally compatible and can be recycled.

- ▶ Sort the individual components by type and dispose of them separately.

3.2 Saving energy

If you follow these instructions, your appliance will use less power.

Adjust the fan speed to the amount of steam produced during cooking.

- ✓ The lower the fan speed, the less energy is consumed.

If cooking produces large amounts of steam, select a higher fan speed in good time.

- ✓ The odours are distributed around the room less.

Switch off the lighting if it is no longer required.

- ✓ When the lighting is switched off, it does not consume any energy.

Clean or replace the filters at regular intervals.

- ✓ The effectiveness of the filter is retained.

Put the cooking lid on.

- ✓ The cooking vapours and condensation are reduced.

Only use the additional functions if required.

- ✓ Switching off additional functions reduces power consumption.

4 Operating modes

You can use your appliance in air extraction mode or circulating-air mode.

4.1 Air extraction mode

The air which is drawn in is cleaned by the grease filters and conveyed to the exterior by a pipe system.



The air must not be discharged into a flue that is used for exhausting fumes from appliances burning gas or other fuels (not applicable to appliances that only discharge the air back into the room).

- If the exhaust air is to be conveyed into a non-functioning smoke or exhaust gas flue, you must obtain the consent of the heating engineer responsible.
- If the exhaust air is conveyed through the external wall, a telescopic duct should be used.

4.2 Air recirculation

The air which is drawn in is cleaned by the grease filters and an odour filter, and conveyed back into the room.



To bind odours in air recirculation mode, you must install an odour filter. The different options for operating the appliance in air circulation mode can be found in our catalogue. Alternatively, ask your dealer. The required accessories are available from specialist retailers, from our after-sales service or from the online shop.

5 Familiarising yourself with your appliance

5.1 Controls

You can use the control panel to configure all functions of your appliance and to obtain information about the operating status.



6 Basic operation

6.1 Switching on the appliance

- ▶ Set the slide control to position 1.

6.2 Setting a fan setting

- ▶ Set the slide control to position 1, 2 or 3.

6.3 Switching off the appliance

- ▶ Set the slide control to position 0.

6.4 Switching on the lighting

The lighting can be switched on and off independently of the ventilation system.

- ▶ Set the slide control to position 1.

6.5 Switching off the lighting

- ▶ Set the slide control to position 0.

7 Cleaning and servicing

7.1 Cleaning products

You can obtain suitable cleaning products from after-sales service or the online shop.

ATTENTION

Unsuitable cleaning products may damage the surfaces of the appliance.

- ▶ Do not use harsh or abrasive detergents.
- ▶ Do not use cleaning products with a high alcohol content.
- ▶ Do not use hard scouring pads or cleaning sponges.
- ▶ Only use glass cleaners, glass scrapers or stainless steel care products if recommended in the cleaning instructions for the relevant part.
- ▶ Wash sponge cloths thoroughly before use.

7.2 Cleaning the appliance

Clean the appliance as specified. This will ensure that the different parts and surfaces of the appliance are not damaged by incorrect cleaning or unsuitable cleaning products.

⚠ WARNING – – Risk of explosion!

Highly caustic alkaline or highly acidic cleaning agents in conjunction with aluminium parts in the interior of the appliance may cause explosions.

- ▶ Never use highly caustic alkaline or highly acidic cleaning agents. In particular, do not use commercial or industrial cleaning agents in conjunction with aluminium parts, e.g. grease filter on extractor hoods.

⚠ WARNING – – Risk of electric shock!

An ingress of moisture can cause an electric shock.

- ▶ Before cleaning, pull out the mains plug or switch off the fuse in the fuse box.
- ▶ Do not use steam- or high-pressure cleaners to clean the appliance.

⚠ WARNING – – Risk of burns!

The appliance becomes hot during operation.

- ▶ Allow the appliance to cool down before cleaning.

⚠ WARNING – – Risk of injury!

Components inside the appliance may have sharp edges.

- ▶ Carefully clean the appliance interior.
1. Observe the information regarding the cleaning agents.
 2. Clean as follows, depending on the surface:
 - ▶ Clean stainless steel surfaces in the direction of the finish using a sponge cloth and hot soapy water.
 - ▶ Clean painted surfaces using a damp sponge cloth and hot soapy water.
 - ▶ Clean aluminium using a soft cloth and glass cleaner.
 - ▶ Clean plastic using a soft cloth and glass cleaner.
 - ▶ Clean glass using a soft cloth and glass cleaner.

3. Dry with a soft cloth.
4. Apply a thin layer of the stainless steel cleaning product to stainless steel surfaces using a soft cloth. You can obtain stainless steel cleaning products from the after-sales service or the online shop.

7.3 Cleaning controls

⚠ WARNING – – Risk of electric shock!

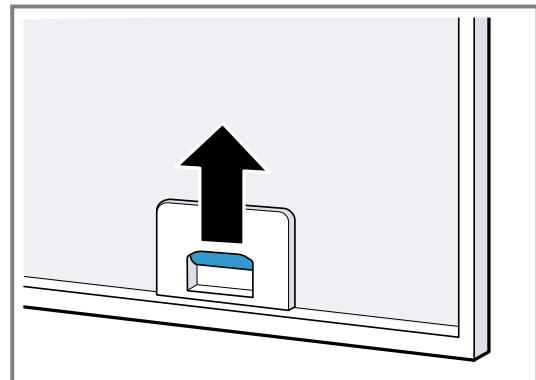
Penetrating moisture may cause an electric shock.

- ▶ Do not use wet sponge cloths.

1. Observe the information regarding the cleaning agents.
2. Clean using a damp sponge cloth and hot soapy water.
3. Dry with a soft cloth.

7.4 Removing the grease filter

1. **ATTENTION** – Falling grease filters may damage the hob below.
 - ▶ Grip below the grease filter with one hand. Open the locks on the grease filters.



2. Remove the grease filters from the holders. To prevent grease from dripping, hold the grease filter horizontally.

7.5 Cleaning grease filters manually

The grease filters filter the grease from the cooking vapour. Regularly cleaned grease filters guarantee a high level of grease removal. We recommend cleaning the grease filters every two months.

⚠ WARNING – – Risk of fire!

Fatty deposits in the grease filters may catch fire.

- ▶ Clean the grease filters regularly.

Requirement: The grease filters have been removed.

→ "Removing the grease filter", Page 6

1. Observe the information regarding the cleaning agents.
2. Soak the grease filter in hot soapy water. Use special grease solvent for stubborn dirt. You can obtain grease solvents from customer service or the online shop.
3. Use a brush to clean the grease filters.

4. Rinse the grease filters thoroughly.
5. Allow the grease filters to drain.

7.6 Cleaning grease filters in the dishwasher

The grease filters filter the grease from the cooking vapour. Regularly cleaned grease filters guarantee a high level of grease removal. We recommend cleaning the grease filters every two months.

⚠ **WARNING – – Risk of fire!**

Fatty deposits in the grease filters may catch fire.

- ▶ Clean the grease filters regularly.

ATTENTION

The grease filters may become damaged if they are squeezed in the dishwasher.

- ▶ Do not squeeze the grease filters.

Note: When cleaning the grease filter in the dishwasher, light discolouration may occur. This discolouration has no effect on the performance of the metal grease filters.

Requirement: The grease filters have been removed.

→ "Removing the grease filter", Page 6

1. Observe the information regarding the cleaning agents.
2. Place the grease filters loosely into the dishwasher. Do not clean heavily soiled grease filters with utensils. Use special grease solvent for stubborn dirt. You can obtain grease solvents from customer service or the online shop.
3. Start the dishwasher. Select a temperature of no more than 70 °C.
4. Allow the grease filters to drain.

7.7 Fitting grease filters

ATTENTION

Falling grease filters may damage the hob below.

- ▶ Grip below the grease filter with one hand.

1. Fit the grease filters.
2. Fold the grease filters upwards and engage the locks.
3. Make sure that the locks engage.

7.8 Odour filter for recirculating air mode

Odour filters bind odorous substances in air recirculation mode. Regularly replaced odour filters guarantee a high level of odour removal.

With normal use (approx. one hour a day), the odour filter must be replaced every 4 months. The odour filter cannot be cleaned or regenerated.

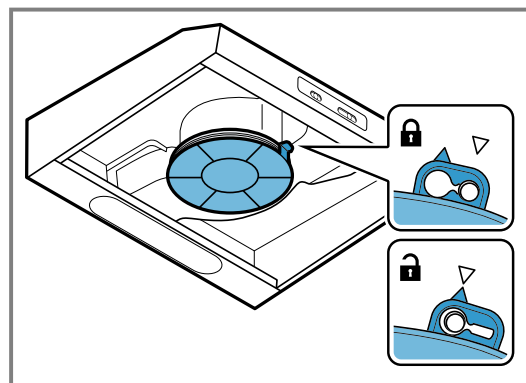
You can obtain odour filters from the after-sales service or the online shop. Only use original odour filters.

Replacing the odour filter

Requirement: The grease filters have been removed.

→ "Removing the grease filter", Page 6

1. To open the locking mechanism on the odour filter, rotate the odour filter.



2. Remove the odour filter.
3. Insert the new odour filter.
4. To close the locking mechanism on the odour filter, rotate the odour filter.

7.9 Replacing the LED lights

⚠ **WARNING – – Risk of electric shock!**

When changing the bulb, the bulb socket contacts are live.

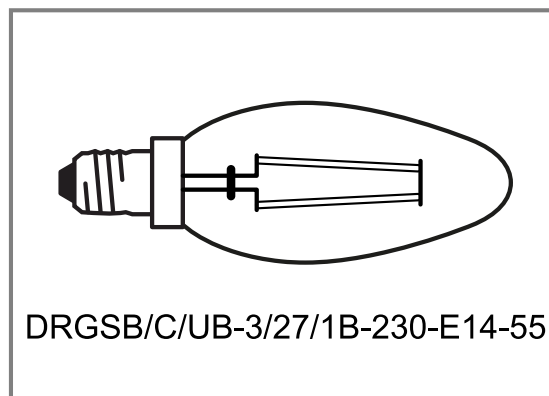
- ▶ Before replacing the bulb, unplug the appliance from the mains or switch off the circuit breaker in the fuse box.

⚠ **WARNING – – Risk of injury!**

The light emitted by LED lights is very dazzling, and can damage the eyes (risk group 1).

- ▶ Do not look directly into the switched-on LED lights for longer than 100 seconds.

Note: Only use bulbs of the same type and wattage.



1. Disconnect the appliance from the power supply.
2. Remove the grease filters. → "Removing the grease filter", Page 6
3. Unscrew the bulb and replace it with a bulb of the same type.
4. Install the grease filters.
5. Insert the mains plug and switch on the fuse again.

8 Troubleshooting

You can rectify minor faults on your appliance yourself. Read the troubleshooting information before contacting after-sales service. This will avoid unnecessary costs.

⚠ WARNING – – Risk of injury!

Improper repairs are dangerous.

- ▶ Repairs to the appliance should only be carried out by trained specialist staff.
- ▶ If the appliance is defective, call Customer Service.
→ "Customer Service", Page 8

⚠ WARNING – – Risk of electric shock!

Improper repairs are dangerous.

- ▶ Repairs to the appliance should only be carried out by trained specialist staff.
- ▶ Only use genuine spare parts when repairing the appliance.
- ▶ If the power cord of this appliance is damaged, it must be replaced by the manufacturer, the manufacturer's Customer Service or a similarly qualified person in order to prevent any risk.

8.1 Replacing the odour filter

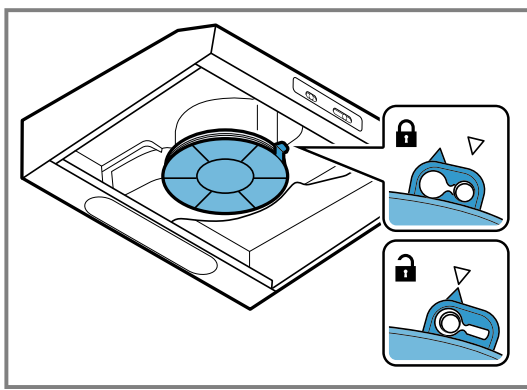
Requirement: The grease filters have been removed.

→ "Removing the grease filter", Page 6

1. To open the locking mechanism on the odour filter, rotate the odour filter.

2. Remove the odour filter.
3. Insert the new odour filter.
4. To close the locking mechanism on the odour filter, rotate the odour filter.

8.2 Malfunctions



Fault	Cause and troubleshooting
The appliance is not working.	The mains plug of the power cord is not plugged in.
	▶ Connect the appliance to the power supply.
	The circuit breaker in the fuse box has tripped.
	▶ Check the circuit breaker in the fuse box.
	There has been a power cut.
	▶ Check whether the lighting in your room or other appliances are working.

9 Disposal

9.1 Disposing of old appliance

Valuable raw materials can be reused by recycling.

1. Unplug the appliance from the mains.
2. Cut through the power cord.
3. Dispose of the appliance in an environmentally friendly manner.
Information about current disposal methods are available from your specialist dealer or local authority.



This appliance is labelled in accordance with European Directive 2012/19/EU concerning used electrical and electronic appliances (waste electrical and electronic equipment - WEEE). The guideline determines the framework for the return and recycling of used appliances as applicable throughout the EU.

10 Customer Service

Detailed information about the warranty period and the warranty conditions in your country is available via the QR code on the enclosed document on service con-

tacts and warranty conditions, from our customer service or on our website.

You can find the contact details for our customer service via the QR code on the enclosed document on service contacts and warranty conditions or on our website.

10.1 Product number (E-Nr.) and production number (FD)

If you contact Customer Service, you will require the product number (E-Nr.) and the production number (FD), which you can find on the appliance's rating plate.

Depending on the model, the rating plate can be found:

- Inside the appliance (remove grease filters for access).
- On top of the appliance.

Make a note of your appliance's details and the Customer Service telephone number to find them again quickly.

11 Installation instructions

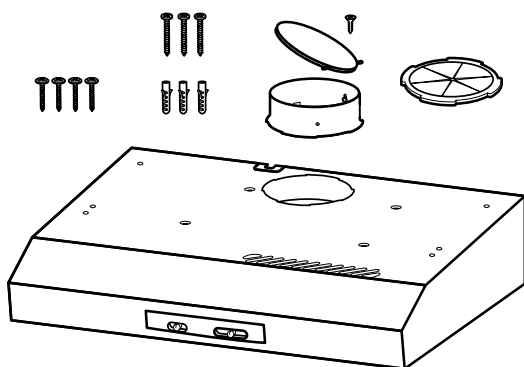
Observe this information when installing the appliance.



mm

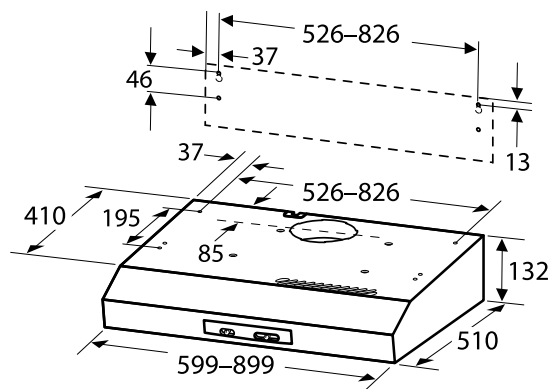
11.1 Scope of delivery

After unpacking all parts, check for any damage in transit and completeness of the delivery.



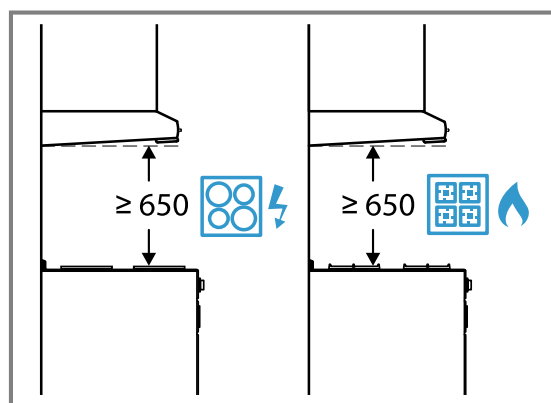
11.2 Appliance dimensions

You will find the dimensions of the appliance here



11.3 Safety clearances

Comply with the safety clearances for the appliance.

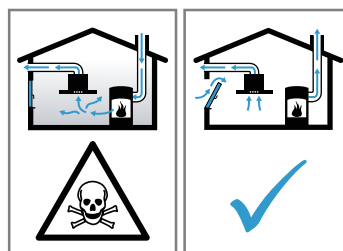


⚠ 11.4 Secure installation

Follow these safety instructions when installing the appliance.

⚠ **WARNING – Risk of poisoning!**

Risk of poisoning from flue gases being drawn back in. Room-air-dependent heat-producing appliances (e.g. gas, oil, wood or coal-operated heaters, continuous flow heaters or water heaters) obtain combustion air from the room in which they are installed and discharge the exhaust gases into the open through an exhaust gas system (e.g. a chimney). With the extractor hood switched on, air is extracted from the kitchen and the adjacent rooms. Without an adequate supply of air, the air pressure falls below atmospheric pressure. Toxic gases from the chimney or the extraction shaft are sucked back into the living space.



- ▶ Always ensure adequate fresh air in the room if the appliance is being operated in

exhaust air mode at the same time as a room-air-dependent heat-producing appliance is being operated.

- ▶ It is only possible to safely operate the appliance if the pressure in the room in which the heating appliance is installed does not fall below 4 Pa (0.04 mbar). This can be achieved whenever the air needed for combustion is able to enter through openings that cannot be sealed, for example in doors, windows, incoming/exhaust air wall boxes or by other technical means. An incoming/exhaust air wall box alone is not sufficient to ensure compliance with the limit.
- ▶ In any case, consult your responsible chimney sweep. They are able to assess the house's entire ventilation setup and will suggest the suitable ventilation measures to you.
- ▶ Unrestricted operation is possible if the appliance is operated exclusively in circulating-air mode.

Risk of poisoning from flue gases being drawn back in.

- ▶ If an extractor hood with an open-flued heat production source is installed, the power supply for the extractor hood must be provided with a suitable safety switch.

Risk of poisoning from flue gases being drawn back in.

- ▶ Do not emit the exhaust air into a smoke or exhaust gas flue that is in operation.
- ▶ Do not emit the exhaust air into a shaft that is used to ventilate installation rooms for heat-producing appliances.
- ▶ If the exhaust air is to be conveyed into a smoke or exhaust gas flue, you must obtain the consent of the heating engineer responsible.

⚠ **WARNING – Risk of suffocation!**

Children may put packaging material over their heads or wrap themselves up in it and suffocate.

- ▶ Keep packaging material away from children.
- ▶ Do not let children play with packaging material.

⚠ **WARNING – Risk of fire!**

The grease deposits in the grease filter may catch fire.

- ▶ Never work with naked flames close to the appliance (e.g. flambéing).

- ▶ Do not install the appliance near a heat-producing appliance for solid fuel (e.g. wood or coal) unless a closed, non-removable cover is present. There must be no flying sparks.
- ▶ The specified safety clearances must be complied with in order to prevent a build-up of heat.
- ▶ Observe the specifications for your cooking appliances. If the installation instructions for the cooking appliances specify a different clearance, the larger of the two must always be provided for. If gas hobs and electric hobs are operated together, the largest specified clearance applies.

⚠ **WARNING – Risk of injury!**

Components inside the appliance may have sharp edges.

- ▶ Wear protective gloves.
- The appliance may fall down if it has not been properly fastened in place.
- ▶ All fastening components must be fixed firmly and securely in place.
- Changes to the electrical or mechanical assembly are dangerous and may lead to malfunctions.
- ▶ Do not make any changes to the electrical or mechanical assembly.

⚠ **WARNING – Risk of electric shock!**

Sharp-edged components inside the appliance may damage the connecting cable.

- ▶ Do not kink or trap the connecting cable.
- If the appliance or the power cord is damaged, this is dangerous.
- ▶ Never operate a damaged appliance.
 - ▶ Never pull on the power cord to unplug the appliance. Always unplug the appliance at the mains.
 - ▶ If the appliance or the power cord is damaged, immediately unplug the power cord or switch off the fuse in the fuse box.
 - ▶ Call customer service. → *Page 8*
- Improper repairs are dangerous.
- ▶ Repairs to the appliance should only be carried out by trained specialist staff.
 - ▶ Only use genuine spare parts when repairing the appliance.
 - ▶ If the power cord of this appliance is damaged, it must be replaced by the manufacturer, the manufacturer's Customer Service or a similarly qualified person in order to prevent any risk.

Incorrect installation is dangerous.

- ▶ Connect and operate the appliance only in accordance with the specifications on the rating plate.
- ▶ Connect the appliance to a power supply with alternating current only via a properly installed socket with earthing.
- ▶ The protective conductor system of the domestic electrical installation must be properly installed.
- ▶ Never equip the appliance with an external switching device, e.g. a timer or remote control.
- ▶ When the appliance is installed, the mains plug of the power cord must be freely accessible. If free access is not possible, an all-pole isolating switch must be installed in the permanent electrical installation according to the conditions of Overvoltage Category III and according to the installation regulations.
- ▶ When installing the appliance, check that the power cable is not trapped or damaged.

11.5 General information

Follow these general instructions during the installation.

- For the installation, observe the currently valid building regulations and the regulations of the local electricity and gas suppliers.
- When discharging the exhaust air, the official and legal regulations, such as the regional building code, must be observed.
- In order to freely access the appliance for servicing, select an easy-to-reach installation site.
- The surfaces of the appliance are sensitive. Avoid damaging them during installation.

11.6 Instructions for the electrical connection

In order to safely connect the appliance to the electrical system, follow these instructions.

⚠ WARNING – – Risk of electric shock!

It must always be possible to disconnect the appliance from the electricity supply. The appliance must only be connected to a protective contact socket that has been correctly installed.

- ▶ The mains plug for the mains power cable must be easily accessible after the appliance is installed.
- ▶ If this is not possible, an all-pole isolating switch must be integrated into the permanent electrical installation according to the conditions of overvoltage category III and according to the installation regulations.
- ▶ The permanent electrical installation must only be wired by a professional electrician. We recommend installing a residual-current circuit breaker (RCCB) in the appliance's power supply circuit.

Sharp-edged components inside the appliance may damage the connecting cable.

- ▶ Do not kink or trap the connecting cable.
 - The connection data can be found on the rating plate. → *Page 9*
 - The connecting cable is approx. 1.30 m long.
 - This appliance complies with the EC interference suppression regulations.
 - The appliance corresponds to protection class 1. You should therefore only use the appliance with a protective earth connection.
 - Do not connect the appliance to the power supply during installation.
 - Ensure that the protection against contact is guaranteed during installation.

11.7 Information on the installation situation

- Install this appliance in a kitchen cupboard.
- To install additional special accessory parts, observe the enclosed installation instructions.
- The width of the extractor hood must correspond at least with the width of the hob.
- To optimally detect the cooking vapours, install the appliance in the middle of the hob.

11.8 Instructions for the exhaust air pipe

The appliance manufacturer does not provide any warranty for faults attributable to the pipeline.

- Use a short, straight exhaust air pipe with as large a pipe diameter as possible.
- Long, rough exhaust air pipes, many pipe bends or small pipe diameters reduce the suction power and increase the fan noise.
- Use an exhaust pipe that is made of non-combustible material.
- To prevent condensate from returning, fit the exhaust pipe with a 1° gradient from the appliance.

Flat ducts

Use flat ducts with an inner cross-section that corresponds to the diameter of the round pipes:

- Diameter of 150 mm corresponds to approx. 177 cm².
- Diameter of 120 mm corresponds to approx. 113 cm².
- Use sealing strips for different pipe diameters.
- Do not use any flat ducts with sharp bends.

11.9 Instructions for the air extraction mode

For air extraction mode, a one-way flap should be installed.

Notes

- The odour filter must be removed in air extraction mode. → *"Replacing the odour filter", Page 8*
- If a one-way flap is not included with the appliance, one can be ordered from a specialist retailer.
- If the exhaust air is conveyed through the external wall, a telescopic duct should be used.

11.10 Information about circulating-air mode

The appliance must only be operated when it is securely installed and the pipework is connected.

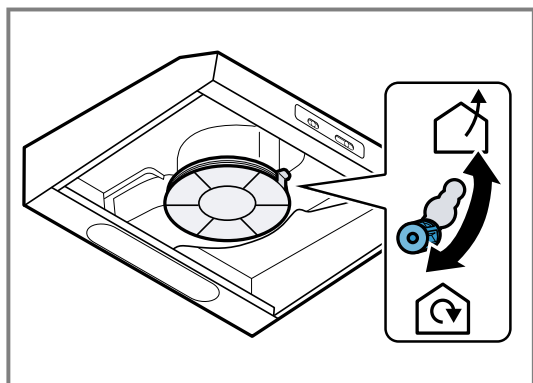
11.11 Installation

Checking the unit

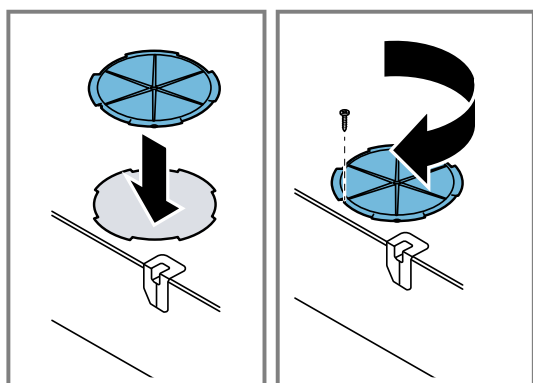
1. Check whether the fitted unit is level and has sufficient load-bearing capacity.
The max. weight of the appliance is 8 kg.
2. Ensure that the fitted unit is heat-resistant up to 90 °C.
3. Ensure that the fitted unit is still stable after the cut-outs have been made.

Preparing the appliance

1. Remove the grease filters.
To avoid causing damage, do not bend the grease filters.
2. Set the lever in the interior of the appliance to circulating-air mode or air extraction mode.



3. For air extraction mode:
 - ▶ Secure the one-way flap on the air-pipe connector.
 - ▶ Secure the air-pipe connector to the air outlet.
 - ▶ Remove the odour filter in the appliance interior.
4. For circulating-air mode:
 - ▶ Secure the cover on the air outlet to the top of the appliance.



Preparing the drill jig

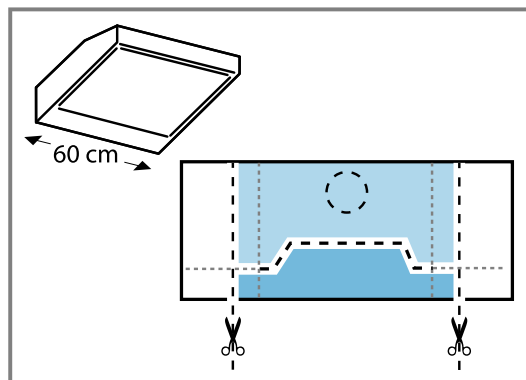
You can install the exhaust pipe to the upper side of the appliance.

Requirement: The unit is suitable for the installation.

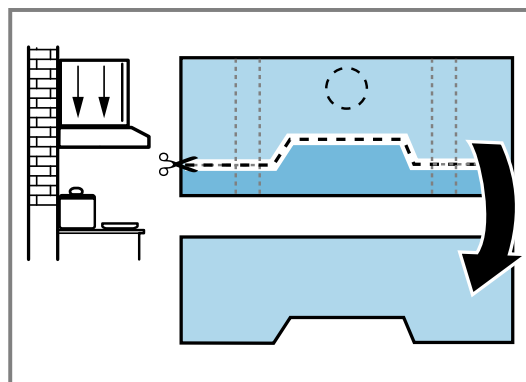
→ "Checking the unit", Page 12

1. Cover the hob to prevent damage.

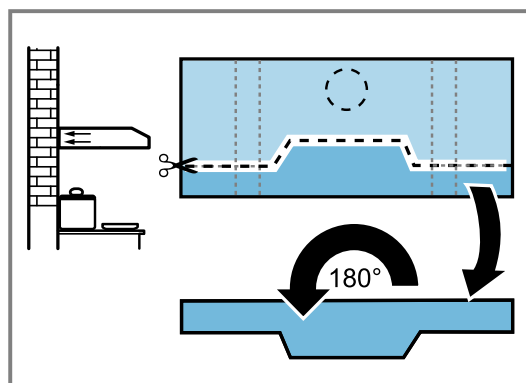
2. Ensure that the fitted unit is still stable after the cut-outs have been made.
3. If the appliance is 60 cm wide, cut the drill jig to size laterally.



4. If the appliance is secured to the upper cabinet, cut the drill jig to size in accordance with the following diagram.

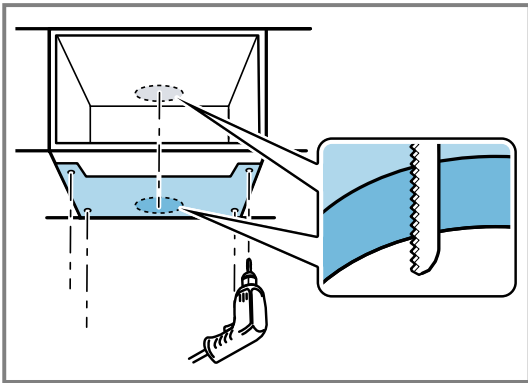


5. If the appliance is mounted on the wall, cut the drill jig to size, in accordance with the following diagram.

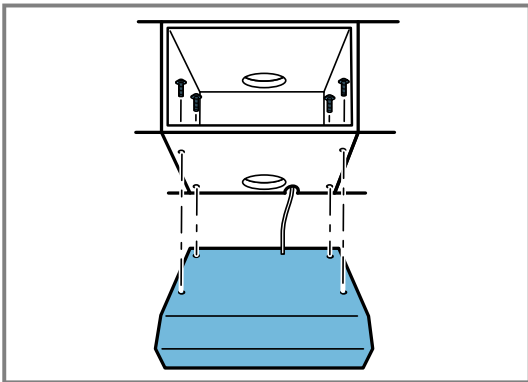


Securing the appliance to the upper cabinet

1. Use the drill jig to mark where the holes are to be drilled and drill the holes.

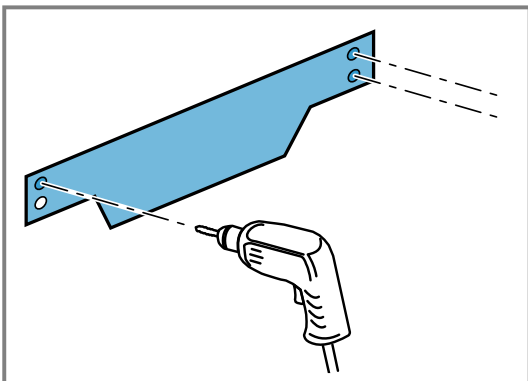


2. For operation in air extraction mode, create the opening for the exhaust pipe in the base of the cabinet.
3. Position the appliance underneath the upper cabinet.
4. Use four screws to screw the appliance in from above.



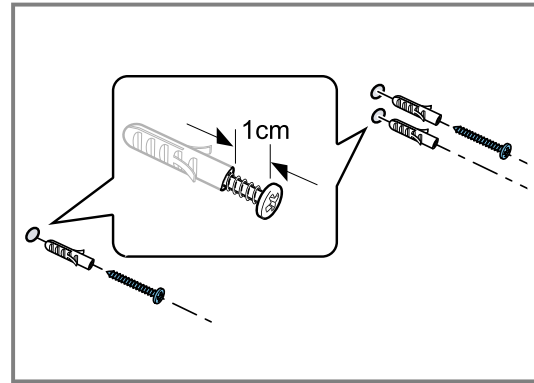
Securing the appliance to the wall

1. Ensure that there are no electrical wires, gas pipes or water pipes in the area where holes are to be drilled.
2. Use the drill jig to mark where the holes are to be drilled and drill the holes.

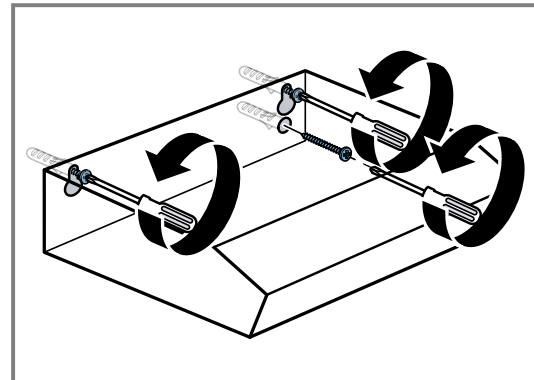


3. Press in the wall plugs flush with the wall.

4. Screw the two screws into the upper two holes, but do not screw them in completely.



5. For operation in air extraction mode, create the opening for the exhaust pipe in the base of the cabinet.
6. Remove the grease filters.
→ "Removing the grease filter", Page 6
7. Hook the appliance into the upper screws.
8. Align the appliance horizontally.
9. Screw the upper screws in fully.
10. Screw in the safety screw tightly.



11. Fit the grease filters.
To avoid causing damage, do not bend the grease filters.

Establishing the exhaust air connection

You can install the exhaust pipe on the air-pipe connector on the upper side of the appliance.

1. Secure the exhaust pipe to the air pipe connector.
2. Establish the connection to the exhaust air opening.
3. Seal the joints.

Connecting to the power supply

1. Insert the mains plug into the protective contact socket.
2. If a fixed connection is required, follow the instructions in the section .
→ "Instructions for the electrical connection", Page 11

Removing the appliance

1. Disconnect the appliance from the power supply.
2. Loosen the exhaust pipe.
3. Remove the grease filters.
To avoid causing damage, do not bend the grease filters.
4. Loosen the screw connection with the fitted unit.
5. Remove the appliance.

Table des matières

MANUEL D'UTILISATION

1	Sécurité	14	6	Utilisation	18
2	Prévenir les dégâts matériels	16	7	Nettoyage et entretien	18
3	Protection de l'environnement et économies d'énergie	17	8	Dépannage	20
4	Modes de fonctionnement	17	9	Mise au rebut	21
5	Description de l'appareil	17	10	Service après-vente	21
			11	INSTRUCTIONS DE MONTAGE	22

1 Sécurité

Respectez les consignes de sécurité suivantes.

1.1 Indications générales

- Lisez attentivement cette notice.
- Conservez la notice ainsi que les informations produit en vue d'une réutilisation ultérieure ou pour un futur nouveau propriétaire.
- Ne branchez pas l'appareil si ce dernier a été endommagé durant le transport.

1.2 Utilisation conforme

Cet appareil est conçu pour être encastré uniquement. Respecter les instructions de montage spécifiques.

La sécurité d'utilisation est garantie uniquement en cas d'installation correcte et conforme aux instructions de montage. Le monteur est responsable du fonctionnement correct sur le lieu où l'appareil est installé.

Utilisez l'appareil uniquement :

- pour aspirer les vapeurs de cuisson.
- pour un usage privé et dans les pièces fermées d'un domicile.
- jusqu'à une altitude maximale de 2 000 m au-dessus du niveau de la mer.

1.3 Restrictions du périmètre utilisateurs

Les enfants ne sont pas autorisés à jouer avec l'appareil.

Les enfants ne doivent en aucun cas s'occuper du nettoyage et de la maintenance utilisateur, sauf s'ils sont âgés de 15 ans et plus et agissent sous surveillance.

Les enfants de moins de 8 ans doivent être tenus à distance de l'appareil et du cordon d'alimentation secteur.

1.4 Utilisation sûre

AVERTISSEMENT – Risque d'incendie !

Les dépôts de graisse dans les filtres à graisse peuvent s'enflammer.

- ▶ Ne faites jamais fonctionner l'appareil sans filtre à graisse.
- ▶ Nettoyez régulièrement le filtre à graisse.
- ▶ Ne travaillez jamais avec une flamme nue à proximité de l'appareil (par ex. ne faites rien flamber).
- ▶ Installez l'appareil à proximité d'un foyer à combustibles solides (par ex. bois ou charbon) uniquement en présence d'un capot fermé et non amovible. Il ne doit pas y avoir de projection d'étincelles.

L'huile et la graisse chaudes s'enflamment rapidement.

- ▶ Surveiller constamment l'huile et la graisse chaudes.
- ▶ Ne jamais éteindre une huile ou une graisse brûlante avec de l'eau. Éteindre le foyer. Étouffer les flammes prudemment avec un couvercle, une couverture anti-feu ou quelque chose de similaire et laisser refroidir.

Les foyers à gaz dégagent une forte chaleur lorsqu'aucun récipient n'est posé dessus. Un appareil de ventilation monté au-dessus d'eux risque alors d'être endommagé ou de prendre feu.

- ▶ Utilisez les foyers à gaz uniquement avec un récipient placé dessus.

Le fonctionnement simultané de plusieurs foyers au gaz engendre une forte production de chaleur. Un appareil de ventilation monté

au-dessus d'eux risque alors d'être endommagé ou de prendre feu.

- ▶ Utilisez les foyers à gaz uniquement avec un récipient placé dessus.
- ▶ Réglez la vitesse de ventilation la plus élevée.
- ▶ Ne faites jamais fonctionner en même temps deux foyers à gaz à feu vif pendant plus de 15 minutes. Deux foyers à gaz correspondent à un brûleur grande puissance.
- ▶ Ne faites jamais fonctionner les grands brûleurs de plus de 5 kW avec la plus grande flamme pendant plus de 15 minutes, par ex. un wok.

Les dépôts de graisse dans les filtres à graisse peuvent s'enflammer.

- ▶ Nettoyez régulièrement le filtre à graisse.

⚠ **AVERTISSEMENT – Risque d'asphyxie !**

Les enfants risquent de s'envelopper dans les matériaux d'emballage ou de les mettre sur la tête et de s'étouffer.

- ▶ Conserver les matériaux d'emballage hors de portée des enfants.
- ▶ Ne jamais laisser les enfants jouer avec les emballages.

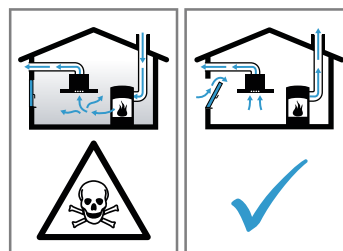
Les enfants risquent d'inhalier ou d'avaler des petits morceaux et s'étouffer.

- ▶ Conserver les petites pièces hors de portée des enfants.
- ▶ Ne pas laisser les enfants jouer avec les petites pièces.

⚠ **AVERTISSEMENT – Risque d'empoisonnement !**

Les gaz de combustion réaspirés peuvent provoquer un empoisonnement. Les foyers à combustion alimentés en air ambiant (par exemple appareils de chauffage au gaz, au fioul, au bois ou au charbon, les chauffe-eaux intégrés sous cuve, les chauffe-eaux accumulateurs) prélèvent l'air de combustion dans la pièce où ils sont installés et rejettent les gaz de fumée à l'extérieur par le biais d'un système spécifique (par ex., cheminée). Lorsque la hotte aspirante est en marche, elle prélève de l'air dans la cuisine et dans les pièces voisines. L'absence d'un apport d'air suffisant crée une pression négative. Les gaz toxiques provenant de la cheminée ou du conduit d'évacuation sont ré-

aspirés dans les pièces d'habitation.



- ▶ En cas d'utilisation simultanée de l'appareil en mode évacuation extérieure et d'un foyer à combustion alimenté en air ambiant, veillez impérativement à ce que l'apport d'air soit toujours suffisant.
- ▶ Le fonctionnement sûr de l'appareil n'est possible que si la dépression dans la pièce où est installé le foyer ne dépasse pas 4 Pa (0,04 mbar). Cette valeur n'est réalisable que si l'apport d'air frais nécessaire à la combustion est assuré par des ouvertures non obturables, par exemple dans des portes ou fenêtres, associées à un caisson mural d'entrée et de sortie d'air, ou bien par d'autres moyens techniques. Un caisson mural d'entrée et de sortie d'air ne suffit pas à assurer la valeur minimale nécessaire.
- ▶ Demandez toujours conseil à un maître ramoneur compétent qui pourra évaluer l'ensemble du réseau de ventilation de la maison et vous proposer le moyen le mieux adapté pour l'aération.
- ▶ Si l'appareil est utilisé exclusivement en mode recirculation de l'air, le fonctionnement est possible sans restriction.

L'utilisation d'un appareil de cuisson au gaz conduit à la formation de chaleur, d'humidité et de produits de combustion dans la pièce où l'appareil est installé.

- ▶ Lors de l'utilisation d'un appareil de cuisson à gaz, allumer la hotte aspirante.

⚠ **AVERTISSEMENT – Risque d'ébouillantage !**

Les éléments accessibles deviennent chauds pendant le fonctionnement.

- ▶ Ne touchez jamais les éléments chauds.
- ▶ Éloignez les enfants.

L'appareil devient chaud pendant son utilisation.

- ▶ Laissez refroidir l'appareil avant de le nettoyer.

⚠ AVERTISSEMENT – Risque de blessure !

Certaines pièces à l'intérieur de l'appareil peuvent présenter des arêtes vives.

- ▶ Nettoyez l'intérieur de l'appareil avec précaution.

Des modifications sur la construction électrique ou mécanique sont dangereuses et peuvent conduire à des dysfonctionnements.

- ▶ N'effectuez aucune modification sur la construction électrique ou mécanique.

La lumière de l'éclairage par LED est très éblouissante et peut causer des dommages aux yeux (groupe de risque 1).

- ▶ Ne regardez pas directement l'éclairage par LED allumé pendant plus de 100 secondes.

Les réparations non conformes sont dangereuses.

- ▶ Seul un personnel qualifié est en droit d'effectuer des réparations sur l'appareil.

- ▶ Si l'appareil est défectueux, appeler le service après-vente.

→ "Service après-vente", Page 21

⚠ AVERTISSEMENT – Risque d'électrocution !

Un appareil endommagé ou un cordon d'alimentation secteur endommagé est dangereux.

- ▶ N'utilisez jamais un appareil endommagé.
- ▶ Ne tirez jamais sur le cordon d'alimentation secteur pour débrancher l'appareil du secteur. Débranchez toujours la fiche du cordon d'alimentation secteur.
- ▶ Si l'appareil ou le cordon d'alimentation secteur est endommagé, débranchez immédiatement le cordon d'alimentation secteur ou coupez le fusible dans le boîtier à fusibles.

- ▶ Appelez le service après-vente. → Page 21
Les réparations non conformes sont dangereuses.

- ▶ Seul un personnel dûment qualifié peut entreprendre des réparations sur l'appareil.
- ▶ Seules des pièces de rechange d'origine peuvent être utilisées pour réparer l'appareil.
- ▶ Afin d'écartier tout danger quand le cordon d'alimentation secteur de cet appareil est endommagé, seul le fabricant ou son service après-vente ou toute autre personne de qualification équivalente est habilité à le remplacer.

L'infiltration d'humidité peut occasionner un choc électrique.

- ▶ Avant le nettoyage, retirez la fiche secteur ou coupez le disjoncteur.

- ▶ Ne pas utiliser de nettoyeur vapeur ou haute pression pour nettoyer l'appareil.

L'infiltration d'humidité peut occasionner un choc électrique.

- ▶ N'utilisez pas de tissu éponge mouillé.

⚠ AVERTISSEMENT – Risque d'explosion !

Les nettoyants caustiques fortement alcalins ou acides peuvent provoquer des explosions lorsqu'ils entrent en contact avec des pièces d'aluminium situées dans le compartiment de nettoyage du lave-vaisselle.

- ▶ N'utilisez jamais de nettoyants caustiques fortement alcalins ou acides. Notamment, n'utilisez aucun produit de nettoyage d'origine commerciale ou industrielle pour nettoyer des pièces en aluminium, par exemple des filtres à graisse pour hottes aspirantes.

2 Prévenir les dégâts matériels

ATTENTION

La condensation peut provoquer de la corrosion.

- ▶ Allumez toujours l'appareil lorsque vous cuisinez afin d'éviter la formation de condensation.

Si de l'humidité pénètre dans les éléments de commande, des dommages peuvent survenir.

- ▶ Ne nettoyez jamais les éléments de commande avec un chiffon humide.

Un nettoyage incorrect endommage les surfaces.

- ▶ Respectez les consignes de nettoyage.
- ▶ N'utilisez pas de produits de nettoyage agressifs ou récurants.
- ▶ Nettoyez les surfaces en inox uniquement dans le sens de polissage du métal.
- ▶ Ne nettoyez jamais les éléments de commande avec un nettoyant pour inox.

L'eau de condensation qui s'écoule à l'arrière peut endommager l'appareil.

- ▶ Pour éviter tout retour de condensat, monter le conduit d'évacuation de l'appareil avec 1° de pente.

Si vous sollicitez les éléments de design de manière incorrecte, ils peuvent se casser.

- ▶ Ne tirez pas sur les éléments de design.
- ▶ Ne posez ou ne suspendez aucun objet sur/à des éléments de design.

Les surfaces peuvent être endommagées par un film protecteur non retiré.

- ▶ Retirez le film protecteur de toutes les parties de l'appareil avant de l'utiliser pour la première fois.

Si une lampe est défectueuse, les autres peuvent être surchargées.

- ▶ Remplacez les lampes défectueuses.

Les surfaces laquées sont fragiles.

- ▶ Respectez les consignes de nettoyage.

→ "Nettoyer l'appareil", Page 18

- ▶ Protégez les surfaces laquées contre les rayures.

3 Protection de l'environnement et économies d'énergie

3.1 Élimination de l'emballage

Les emballages sont écologiques et recyclables.

- ▶ Veuillez éliminer les pièces détachées après les avoir triées par matière.



Éliminez l'emballage en respectant l'environnement.

3.2 Économies d'énergie

Si vous respectez les instructions suivantes, votre appareil consommera moins de courant.

Adaptez la vitesse du ventilateur à l'intensité des vapeurs de cuisson.

- ✓ Une faible vitesse du ventilateur est synonyme d'une faible consommation d'énergie.

En cas de vapeurs de cuisson intensives, sélectionnez dès que possible une vitesse de ventilation plus importante.

- ✓ Les odeurs se répandent moins dans la pièce.

Éteignez l'éclairage quand vous n'en avez plus besoin.

- ✓ Lorsque l'éclairage est éteint, il ne consomme pas d'énergie.

Nettoyez ou remplacez les filtres aux intervalles spécifiés.

- ✓ L'efficacité du filtre est conservée.

Utilisez le couvercle de cuisson.

- ✓ Les vapeurs de cuisson et les condensats sont réduits.

N'utilisez les fonctions supplémentaires qu'en cas de besoin.

- ✓ La désactivation des fonctions supplémentaires permet de réduire la consommation d'énergie.

4 Modes de fonctionnement

Vous pouvez utiliser votre appareil en mode évacuation extérieure ou en mode recirculation de l'air.

4.1 Mode évacuation extérieure

L'air aspiré est débarrassé des particules de graisse par les filtres, et transite par un conduit avant de gagner l'extérieur.



L'air ne doit pas être acheminé dans une cheminée servant à l'évacuation des gaz d'appareils qui sont utilisés pour la combustion de gaz ou d'autres combustibles (cela ne s'applique pas aux appareils de recyclage).

- Si l'air sortant circule par une cheminée ou une cheminée d'évacuation des gaz, vous devrez d'abord obtenir l'accord du ramoneur compétent dans votre quartier.
- Si l'air sortant traverse la paroi extérieure, il convient d'utiliser un caisson télescopique mural.

4.2 Mode recyclage

L'air aspiré est nettoyé par l'intermédiaire des filtres à graisse et d'un filtre anti-odeurs, puis il est renvoyé dans la pièce.



Pour neutraliser les odeurs en mode recyclage, vous devez installer un filtre anti-odeurs. Pour connaître les différentes possibilités d'utiliser l'appareil en mode recyclage, consultez notre catalogue ou votre revendeur spécialisé. Vous pouvez vous procurer les accessoires dans un commerce spécialisé, auprès du service après-vente ou sur la boutique en ligne.

5 Description de l'appareil

5.1 Éléments de commande

Le bandeau de commande vous permet de configurer toutes les fonctions de votre appareil et vous donne des informations sur l'état de fonctionnement.



6 Utilisation

6.1 Allumer l'appareil

- ▶ Réglez le curseur sur la position 1.

6.2 Régler la vitesse de ventilation

- ▶ Réglez le curseur sur la position 1, 2 ou 3.

6.3 Éteindre l'appareil

- ▶ Réglez le curseur sur la position 0.

6.4 Allumer l'éclairage

Vous pouvez allumer et éteindre l'éclairage indépendamment de la ventilation.

- ▶ Réglez le curseur sur la position 1.

6.5 Éteindre l'éclairage

- ▶ Réglez le curseur sur la position 0.

7 Nettoyage et entretien

7.1 Produits de nettoyage

Vous pouvez vous procurer les produits de nettoyage appropriés auprès du service après-vente ou sur la boutique en ligne.

ATTENTION

Des produits nettoyants inappropriés peuvent endommager les surfaces de l'appareil.

- ▶ Ne pas utiliser de produits de nettoyage agressifs ou récurants.
- ▶ N'utilisez pas de nettoyants fortement alcoolisés.
- ▶ Ne pas utiliser de tampon en paille métallique ni d'éponge à dos récurant.
- ▶ Utilisez uniquement des nettoyants pour vitres, des raclours à verre ou des produits d'entretien pour acier inox si ceux-ci sont recommandés dans les instructions de nettoyage de la pièce correspondante.
- ▶ Rincez soigneusement les tissus et éponges avant de les utiliser.

7.2 Nettoyer l'appareil

Nettoyez l'appareil comme indiqué, afin de ne pas endommager les différentes surfaces et pièces par un nettoyage incorrect ou par des produits de nettoyage non appropriés.

⚠ AVERTISSEMENT – – Risque d'explosion !

Les nettoyants caustiques fortement alcalins ou acides peuvent provoquer des explosions lorsqu'ils entrent en contact avec des pièces d'aluminium situées dans le compartiment de nettoyage du lave-vaisselle.

- ▶ N'utilisez jamais de nettoyants caustiques fortement alcalins ou acides. Notamment, n'utilisez aucun produit de nettoyage d'origine commerciale ou industrielle pour nettoyer des pièces en aluminium, par exemple des filtres à graisse pour hottes aspirantes.

⚠ AVERTISSEMENT – – Risque d'électrocution !

L'infiltration d'humidité peut occasionner un choc électrique.

- ▶ Avant le nettoyage, retirez la fiche secteur ou coupez le disjoncteur.
- ▶ Ne pas utiliser de nettoyeur vapeur ou haute pression pour nettoyer l'appareil.

⚠ AVERTISSEMENT – – Risque d'ébouillantage !

L'appareil devient chaud pendant son utilisation.

- ▶ Laissez refroidir l'appareil avant de le nettoyer.

⚠ AVERTISSEMENT – – Risque de blessure !

Certaines pièces à l'intérieur de l'appareil peuvent présenter des arêtes vives.

- ▶ Nettoyez l'intérieur de l'appareil avec précaution.

1. Respectez les informations sur les produits de nettoyage.
2. Selon la surface, nettoyez comme suit :
 - ▶ Nettoyez les surfaces en acier inoxydable avec une lavette éponge et de l'eau chaude additionnée de produit de nettoyage dans le sens du brossage.
 - ▶ Nettoyez les surfaces laquées avec une lavette éponge et de l'eau chaude additionnée de produit de nettoyage.
 - ▶ Nettoyez l'aluminium avec un nettoyant pour vitres et un chiffon doux.
 - ▶ Nettoyez le plastique avec un nettoyant pour vitres et un chiffon doux.
 - ▶ Nettoyez le verre avec un nettoyant pour vitres et un chiffon doux.
3. Séchez-les ensuite avec un chiffon doux.
4. Sur les surfaces en acier inoxydable, appliquez une fine pellicule de produit pour acier inox avec un chiffon doux.
Vous pouvez vous procurer les produits d'entretien pour acier inox auprès du service après-vente ou sur la boutique en ligne.

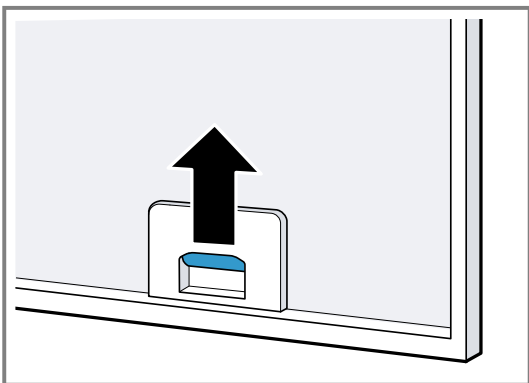
7.3 Nettoyage des éléments de commande

⚠ AVERTISSEMENT – – Risque d'électrocution !
L'infiltration d'humidité peut occasionner un choc électrique.

- ▶ N'utilisez pas de tissu éponge mouillé.
1. Respectez les informations sur les produits de nettoyage.
 2. Procédez au nettoyage en utilisant une lavette éponge humide et du produit de nettoyage chaud.
 3. Séchez-les ensuite avec un chiffon doux.

7.4 Démontez le filtre à graisse

1. **ATTENTION** – Les filtres à graisse qui tombent peuvent endommager la table de cuisson qui se trouve en-dessous.
 - ▶ Avec une main sous le filtre à graisse, interceptez ce dernier.
 Ouvrir les dispositifs de verrouillage des multifiltres à graisse.



2. Retirez les filtres à graisse des fixations. Pour éviter l'égouttement de graisse, tenez les filtres à graisse à l'horizontale.

7.5 Nettoyage manuel des filtres à graisse

Les filtres à graisse filtrent la graisse issue de la vapeur de cuisson. Des filtres à graisse régulièrement nettoyés assurent un haut niveau d'absorption des graisses. Nous vous recommandons de nettoyer les filtres à graisse tous les 2 mois.

⚠ AVERTISSEMENT – – Risque d'incendie !

Les dépôts de graisse dans les filtres à graisse peuvent s'enflammer.

- ▶ Nettoyez régulièrement le filtre à graisse.

Condition : Les filtres à graisse sont retirés.

→ "Démonter le filtre à graisse", Page 19

1. Respectez les informations sur les produits de nettoyage.
2. Faites tremper les filtres à graisse dans un produit de nettoyage chaud.
En présence de salissures tenaces, vous pouvez utiliser un dégraissant spécial. Vous trouverez un dégraissant auprès du service après-vente ou sur la boutique en ligne.
3. Nettoyez les filtres à graisse à l'aide d'une brosse.
4. Rincez-les soigneusement.
5. Laissez s'égoutter les filtres à graisse.

7.6 Nettoyage des filtres à graisse au lave-vaisselle

Les filtres à graisse filtrent la graisse issue de la vapeur de cuisson. Des filtres à graisse régulièrement nettoyés assurent un haut niveau d'absorption des graisses. Nous vous recommandons de nettoyer les filtres à graisse tous les 2 mois.

⚠ AVERTISSEMENT – – Risque d'incendie !

Les dépôts de graisse dans les filtres à graisse peuvent s'enflammer.

- ▶ Nettoyez régulièrement le filtre à graisse.

ATTENTION

Les filtres à graisse peuvent être endommagés s'ils se retrouvent coincés dans le lave-vaisselle.

- ▶ Ne coinciez pas les filtres à graisse.

Remarque : Lorsque vous nettoyez un filtre à graisse au lave-vaisselle, de légères décolorations peuvent apparaître. Ces décolorations n'ont aucune influence sur le fonctionnement des filtres à graisse.

Condition : Les filtres à graisse sont retirés.

→ "Démonter le filtre à graisse", Page 19

1. Respectez les informations sur les produits de nettoyage.
2. Placez les filtres à graisse en vrac dans le lave-vaisselle.
Ne nettoyez pas les filtres à graisse très encrassés avec de la vaisselle.
En présence de salissures tenaces, vous pouvez utiliser un dégraissant spécial. Vous trouverez un dégraissant auprès du service après-vente ou sur la boutique en ligne.
3. Démarrez le lave-vaisselle.
Pour le réglage de la température, choisissez 70 °C maximum.
4. Laissez s'égoutter les filtres à graisse.

7.7 Montage des filtres à graisse

ATTENTION

Les filtres à graisse qui tombent peuvent endommager la table de cuisson qui se trouve en-dessous.

- ▶ Avec une main sous le filtre à graisse, interceptez ce dernier.

1. Insérez le filtre à graisse.
2. Basculez les filtres à graisse vers le haut, puis encliquetez les verrous.
3. Assurez-vous que les verrous s'encliquettent.

7.8 Filtre anti-odeurs pour le mode recirculation de l'air

Les filtres anti-odeurs lient les odeurs en mode recirculation de l'air. Des filtres anti-odeurs régulièrement changés garantissent un haut degré de séparation des odeurs.

Le filtre anti-odeurs doit être remplacé tous les 4 mois en fonctionnement normal (environ une heure par jour). Le filtre anti-odeurs ne peut pas être nettoyé ni régénéré.

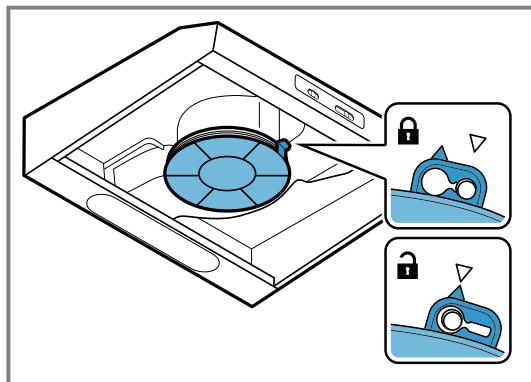
Le filtre anti-odeurs sont en vente auprès du Service après-vente ou sur la boutique en ligne. Utilisez uniquement un filtre anti-odeurs d'origine.

Remplacer le filtre à odeurs

Condition : Les filtres à graisse sont retirés.

→ "Démonter le filtre à graisse", Page 19

1. Pour ouvrir le verrouillage du filtre à odeurs, tournez le filtre à odeurs.



2. Retirez le filtre à odeurs.
3. Insérez le nouveau filtre à odeurs.
4. Pour fermer le verrouillage du filtre à odeurs, tournez le filtre à odeurs.

7.9 Remplacer l'éclairage par LED

⚠ AVERTISSEMENT – – Risque d'électrocution !

Lors du remplacement de l'ampoule, les contacts de la douille sont sous tension.

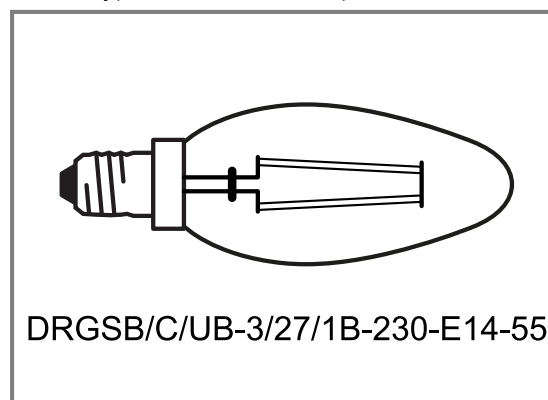
- ▶ Retirez la fiche secteur ou coupez le fusible dans le boîtier à fusibles avant de procéder au remplacement.

⚠ AVERTISSEMENT – – Risque de blessure !

La lumière de l'éclairage par LED est très éblouissante et peut causer des dommages aux yeux (groupe de risque 1).

- ▶ Ne regardez pas directement l'éclairage par LED allumé pendant plus de 100 secondes.

Remarque : Utilisez uniquement des ampoules du même type et de la même puissance.



1. Mettez l'appareil hors tension.
2. Démontez les filtres à graisse.
→ "Démonter le filtre à graisse", Page 19
3. Dévissez l'ampoule et remplacez-la par une ampoule du même type.
4. Montez les filtres à graisse.
5. Branchez la fiche secteur et enclenchez le fusible.

8 Dépannage

Vous pouvez corriger par vous-même les petits défauts de votre appareil. Lisez les renseignements de dépannage avant de contacter le service consommateurs. Vous vous épargnez ainsi des dépenses inutiles.

⚠ AVERTISSEMENT – – Risque de blessure !

Les réparations non conformes sont dangereuses.

- ▶ Seul un personnel qualifié est en droit d'effectuer des réparations sur l'appareil.
- ▶ Si l'appareil est défectueux, appelez le service après-vente.
→ "Service après-vente", Page 21

⚠ AVERTISSEMENT – – Risque d'électrocution !

Les réparations non conformes sont dangereuses.

- ▶ Seul un personnel dûment qualifié peut entreprendre des réparations sur l'appareil.
- ▶ Seules des pièces de rechange d'origine peuvent être utilisées pour réparer l'appareil.

- Afin d'écartier tout danger quand le cordon d'alimentation secteur de cet appareil est endommagé, seul le fabricant ou son service après-vente ou toute autre personne de qualification équivalente est habilité à le remplacer.

8.1 Remplacer le filtre à odeurs

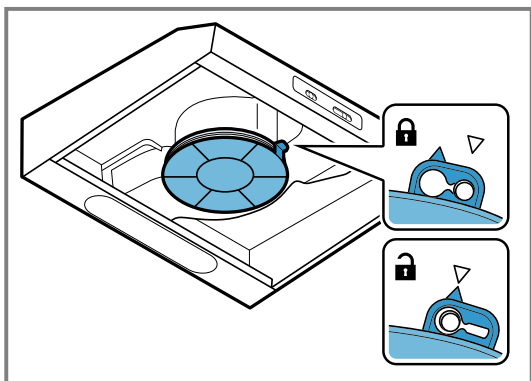
Condition : Les filtres à graisse sont retirés.

→ "Démonter le filtre à graisse", Page 19

1. Pour ouvrir le verrouillage du filtre à odeurs, tournez le filtre à odeurs.

2. Retirez le filtre à odeurs.
3. Insérez le nouveau filtre à odeurs.
4. Pour fermer le verrouillage du filtre à odeurs, tournez le filtre à odeurs.

8.2 Dysfonctionnements



Défaut	Cause et dépannage
L'appareil ne fonctionne pas.	La fiche secteur du cordon d'alimentation secteur n'est pas branchée. ► Branchez l'appareil au réseau électrique.
	Le fusible dans le coffret à fusibles s'est déclenché. ► Vérifiez le fusible dans le boîtier à fusibles.
	L'alimentation électrique est tombée en panne. ► Vérifiez si l'éclairage du compartiment ou d'autres appareils dans la pièce.

9 Mise au rebut

9.1 Mettre au rebut un appareil usagé

La destruction dans le respect de l'environnement permet de récupérer de précieuses matières premières.

1. Débrancher la fiche du cordon d'alimentation secteur.
2. Couper le cordon d'alimentation secteur.
3. Éliminez l'appareil dans le respect de l'environnement.

Vous trouverez des informations sur les circuits actuels d'élimination auprès de votre revendeur spécialisé ou de l'administration de votre commune/ville.



Cet appareil est marqué selon la directive européenne 2012/19/UE relative aux appareils électriques et électroniques usagés (waste electrical and electronic equipment - WEEE).

La directive définit le cadre pour une reprise et une récupération des appareils usagés applicables dans les pays de la CE.

10 Service après-vente

Pour plus d'informations sur la durée et les conditions de la garantie dans votre pays, scannez le QR code figurant sur le document joint afin d'obtenir les coordonnées du service après-vente ainsi que les conditions de garantie, adressez-vous à notre service après-vente, votre revendeur ou consultez notre site web.

Vous trouverez les coordonnées du service après-vente en scannant le QR code figurant sur le document joint relatif aux coordonnées du service après-vente et aux conditions de garantie, ou sur notre site web.

10.1 Numéro de produit (E-Nr) et numéro de fabrication (FD)

Lorsque vous contactez le service client, vous avez besoin du numéro de produit (E-Nr.) et du numéro de fabrication (FD), que vous trouverez sur la plaque signalétique de votre appareil.

Selon le modèle, la plaque signalétique se trouve :

- à l'intérieur de l'appareil (retirer le filtre à graisse).
- sur la partie supérieure de l'appareil.

Pour retrouver rapidement les données de votre appareil et le numéro de téléphone du service consommateurs, n'hésitez pas à les recopier ailleurs.

11 Instructions de montage

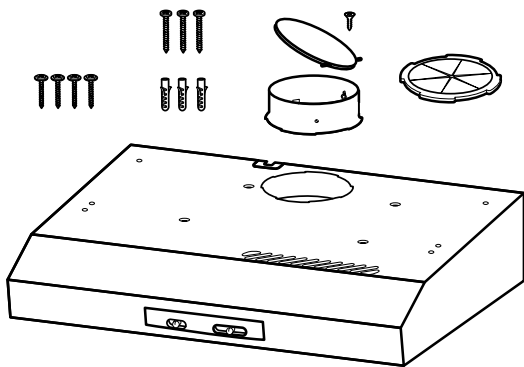
Respectez ces informations lors du montage de l'appareil.



mm

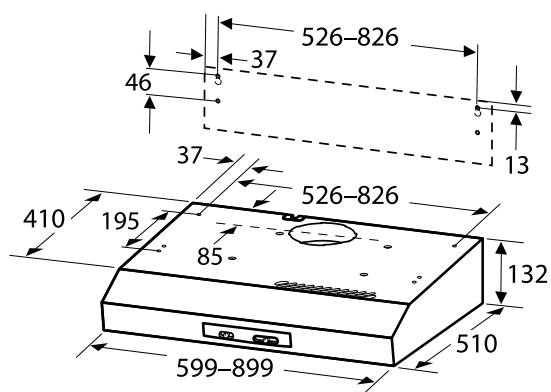
11.1 Contenu de la livraison

Après avoir déballé le produit, inspectez toutes les pièces pour détecter d'éventuels dégâts dus au transport et pour vous assurer de l'intégralité de la livraison.



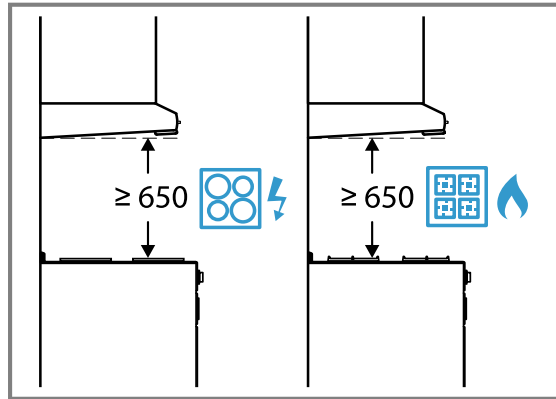
11.2 Dimensions de l'appareil

Vous trouverez ici les dimensions de l'appareil



11.3 Distances de sécurité

Respectez les distances de sécurité de l'appareil.

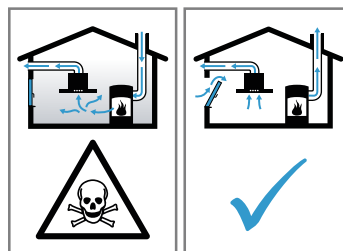


⚠ 11.4 Installation en toute sécurité

Respectez les consignes de sécurité lorsque vous installez cet appareil.

⚠ AVERTISSEMENT – Risque d'empoisonnement !

Les gaz de combustion réaspirés peuvent provoquer un empoisonnement. Les foyers à combustion alimentés en air ambiant (par exemple appareils de chauffage au gaz, au fioul, au bois ou au charbon, les chauffe-eaux intégrés sous cuve, les chauffe-eaux accumulateurs) prélèvent l'air de combustion dans la pièce où ils sont installés et rejettent les gaz de fumée à l'extérieur par le biais d'un système spécifique (par ex., cheminée). Lorsque la hotte aspirante est en marche, elle prélève de l'air dans la cuisine et dans les pièces voisines. L'absence d'un apport d'air suffisant crée une pression négative. Les gaz toxiques provenant de la cheminée ou du conduit d'évacuation sont réaspirés dans les pièces d'habitation.



- En cas d'utilisation simultanée de l'appareil en mode évacuation extérieure et d'un foyer à combustion alimenté en air ambiant, veillez

impérativement à ce que l'apport d'air soit toujours suffisant.

- ▶ Le fonctionnement sûr de l'appareil n'est possible que si la dépression dans la pièce où est installé le foyer ne dépasse pas 4 Pa (0,04 mbar). Cette valeur n'est réalisable que si l'apport d'air frais nécessaire à la combustion est assuré par des ouvertures non obturables, par exemple dans des portes ou fenêtres, associées à un caisson mural d'entrée et de sortie d'air, ou bien par d'autres moyens techniques. Un caisson mural d'entrée et de sortie d'air ne suffit pas à assurer la valeur minimale nécessaire.
- ▶ Demandez toujours conseil à un maître ramoneur compétent qui pourra évaluer l'ensemble du réseau de ventilation de la maison et vous proposer le moyen le mieux adapté pour l'aération.
- ▶ Si l'appareil est utilisé exclusivement en mode recirculation de l'air, le fonctionnement est possible sans restriction.

Les gaz de combustion aspirés peuvent conduire à l'empoisonnement.

- ▶ Lorsqu'une hotte est installée avec un foyer exploitant l'air ambiant, l'alimentation électrique de la hotte doit être munie d'un interrupteur de sécurité approprié.

Les gaz de combustion réaspirés peuvent provoquer un empoisonnement.

- ▶ Ne rejetez pas l'air sortant dans un conduit ou une cheminée en fonctionnement.
- ▶ Ne rejetez pas l'air sortant dans une gaine servant à aérer des locaux où sont installés des foyers à combustion.
- ▶ Si l'air sortant circule par un conduit ou une cheminée d'évacuation des gaz, vous devez d'abord obtenir l'accord d'un ramoneur compétent.

⚠ **AVERTISSEMENT – Risque d'asphyxie !**

Les enfants risquent de s'envelopper dans les matériaux d'emballage ou de les mettre sur la tête et de s'étouffer.

- ▶ Conserver les matériaux d'emballage hors de portée des enfants.
- ▶ Ne jamais laisser les enfants jouer avec les emballages.

⚠ **AVERTISSEMENT – Risque d'incendie !**

Les dépôts de graisse dans le filtre à graisse peuvent s'enflammer.

- ▶ Ne travaillez jamais avec une flamme nue à proximité de l'appareil (par ex. ne faites rien flamber).

- ▶ Installez l'appareil à proximité d'un foyer à combustibles solides (par ex. bois ou charbon) uniquement en présence d'un capot fermé et non amovible. Il ne doit pas y avoir de projection d'étincelles.
- ▶ Les distances de sécurité indiquées doivent être respectées, afin d'éviter une accumulation de chaleur.
- ▶ Respectez les indications relatives à vos appareils de cuisson. Si les instructions d'installation de l'appareil de cuisson spécifient une distance différente, tenir toujours compte de la plus grande distance. L'écart maximal s'applique si vous utilisez simultanément des foyers au gaz et à l'électricité.

⚠ **AVERTISSEMENT – Risque de blessure !**

Des pièces à l'intérieur de l'appareil peuvent présenter des arêtes vives.

- ▶ Portez des gants de protection.

Si l'appareil n'est pas correctement fixé, il risque de tomber.

- ▶ Tous les éléments de fixation doivent être montés de manière solide et sûre.

Des modifications sur la construction électrique ou mécanique sont dangereuses et peuvent conduire à des dysfonctionnements.

- ▶ N'effectuez aucune modification sur la construction électrique ou mécanique.

⚠ **AVERTISSEMENT – Risque d'électrocution !**

Les composants à arêtes vives à l'intérieur de l'appareil peuvent endommager le câble de raccordement.

- ▶ Ne pincez pas et ne coincez pas le câble de raccordement.

Un appareil endommagé ou un cordon d'alimentation secteur endommagé est dangereux.

- ▶ N'utilisez jamais un appareil endommagé.
- ▶ Ne tirez jamais sur le cordon d'alimentation secteur pour débrancher l'appareil du secteur. Débranchez toujours la fiche du cordon d'alimentation secteur.
- ▶ Si l'appareil ou le cordon d'alimentation secteur est endommagé, débranchez immédiatement le cordon d'alimentation secteur ou coupez le fusible dans le boîtier à fusibles.
- ▶ Appelez le service après-vente. → *Page 21*

Les réparations non conformes sont dangereuses.

- ▶ Seul un personnel dûment qualifié peut entreprendre des réparations sur l'appareil.
- ▶ Seules des pièces de rechange d'origine peuvent être utilisées pour réparer l'appareil.

- ▶ Afin d'écartier tout danger quand le cordon d'alimentation secteur de cet appareil est endommagé, seul le fabricant ou son service après-vente ou toute autre personne de qualification équivalente est habilité à le remplacer.

Les installations non conformes sont dangereuses.

- ▶ Pour le raccordement et l'utilisation de l'appareil, respectez impérativement les indications figurant sur la plaque signalétique.
- ▶ L'appareil doit être branché uniquement à une source d'alimentation avec courant alternatif à l'aide d'une prise murale correctement installée et reliée à la terre.
- ▶ Le système à conducteur de protection de l'installation électrique de la maison doit être conforme.
- ▶ N'alimentez jamais l'appareil par l'intermédiaire d'un appareil de commutation externe, par ex. une minuterie ou une télécommande.
- ▶ Si l'appareil est encastré, la fiche du cordon d'alimentation secteur doit être aisément accessible. Si un accès libre est impossible, un dispositif de coupure omnipolaire doit être installé dans l'installation à câblage fixe, conformément aux conditions de la catégorie de surtension III et aux réglementations d'installation.
- ▶ Lors de l'installation de l'appareil, veiller à ce que le cordon d'alimentation secteur ne soit pas coincé ni endommagé.

11.5 Indications générales

Prenez en compte les remarques générales lors de l'installation.

- L'installation doit se faire en respectant les prescriptions actuellement en vigueur dans le bâtiment, ainsi que les prescriptions publiées par les compagnies distributrices d'électricité et de gaz.
- Lors de l'évacuation de l'air vicié, il convient de respecter les prescriptions officielles et légales, telles que celles établies par les autorités régionales.
- Pour atteindre l'appareil sans difficulté lors de l'entretien, choisissez un lieu d'installation facilement accessible.
- Les surfaces de l'appareil sont fragiles. Lors de l'installation, éviter de les endommager.

11.6 Remarques concernant le branchement électrique

Respectez les présentes consignes pour pouvoir effectuer le branchement électrique de l'appareil en toute sécurité.

⚠ AVERTISSEMENT – – Risque d'électrocution !

À tout moment, il doit être possible de débrancher l'appareil du réseau électrique. L'appareil doit uniquement être raccordé à une prise de courant de sécurité installée de manière réglementaire.

- ▶ La prise du cordon d'alimentation secteur doit être librement accessible après le montage de l'appareil.
- ▶ Si cela n'est pas possible, un dispositif de coupure omnipolaire doit être installé dans l'installation électrique fixe conformément aux conditions de la catégorie de surtension III et aux prescriptions d'installation.
- ▶ Seul un électricien qualifié est autorisé à procéder à l'installation électrique fixe. Nous vous recommandons d'installer un disjoncteur différentiel (interrupteur FI) dans le circuit d'alimentation de l'appareil.

Les composants à arêtes vives à l'intérieur de l'appareil peuvent endommager le câble de raccordement.

- ▶ Ne pincez pas et ne coincez pas le câble de raccordement.
- Les valeurs de raccordement sont indiquées sur la plaque signalétique. → *Page 21*
- La ligne de raccordement fait env. 1,30 m de long.
- Cet appareil est conforme aux dispositions CE régissant l'antiparasitage.
- Cet appareil est conforme à la classe de protection 1. Par conséquent, utilisez-le uniquement avec une prise à conducteur de protection.
- Ne branchez pas l'appareil à l'alimentation électrique pendant son installation.
- Assurez-vous que la protection contre les contacts accidentels est garantie par l'installation.

11.7 Remarques concernant la situation d'encastrement

- Installez cet appareil dans une armoire de cuisine.
- Pour l'installation d'accessoires spéciaux supplémentaires, respectez les instructions d'installation jointes.
- La largeur de la hotte aspirante doit être au moins aussi grande que celle de la table de cuisson.
- Pour capter de façon optimale les vapeurs de cuisson, installez l'appareil au centre, au-dessus de la plaque de cuisson.

11.8 Remarques concernant le conduit d'évacuation

Le fabricant de l'appareil n'assume aucune garantie pour les problèmes de fonctionnement liés à la tuyauterie.

- Utiliser un conduit d'évacuation court et droit avec un diamètre de conduit aussi grand que possible.
- Des conduits d'évacuation longs et rugueux, comportant plusieurs coudes ou ayant des diamètres trop petits réduisent la puissance d'aspiration et augmentent le bruit du ventilateur.
- Utiliser un conduit d'évacuation en matériau non inflammable.
- Pour éviter tout retour de condensat, montez le conduit d'évacuation de l'appareil avec 1° de pente.

Gaines plates

Utilisez des gaines plates dont la section intérieure correspond au diamètre des conduits ronds :

- Un diamètre de 150 mm correspond env. à 177 cm².
- Un diamètre de 120 mm correspond env. à 113 cm².
- Si des conduits de plusieurs diamètres sont utilisés, il faut prévoir des rubans d'étanchéité.
- N'utilisez pas de gaines plates avec des déviations aiguës.

11.9 Remarques sur le mode évacuation extérieure

En mode évacuation extérieure, un clapet anti-retour doit être installé.

Remarques

- Le filtre anti-odeurs doit être retiré en mode évacuation extérieure.
→ "Remplacer le filtre à odeurs", Page 21
- Si aucun clapet anti-retour n'est fourni avec l'appareil, vous pouvez en obtenir un dans le commerce spécialisé.
- Si l'air sortant traverse la paroi extérieure, il convient d'utiliser un caisson télescopique mural.

11.10 Remarques sur le mode recirculation de l'air

L'appareil doit uniquement être exploité à l'état fermement fixé et avec la tuyauterie raccordée.

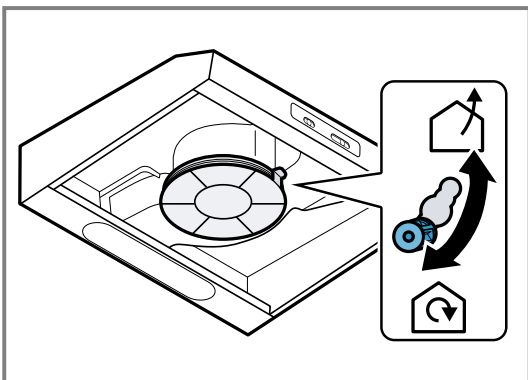
11.11 Installation

Contrôle du meuble

1. Vérifiez que le meuble d'encastrement est horizontal et a une capacité de charge suffisante.
L'appareil pèse au maximum 8 kg.
2. Assurez-vous que les meubles d'encastrement résistent à la chaleur jusqu'à 90 °C.
3. Assurez-vous que le meuble d'encastrement est toujours stable après les travaux de découpe.

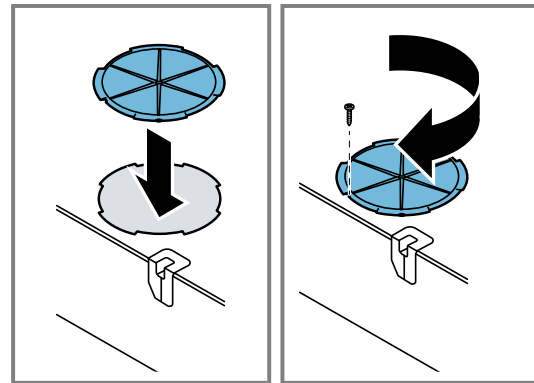
Préparer l'appareil

1. Retirez le filtre à graisse.
Ne pliez pas le filtre à graisse, afin d'éviter tout endommagement.
2. À l'intérieur de l'appareil, placez le levier en mode recirculation ou en mode évacuation extérieure.



3. En mode évacuation extérieure :
 - ▶ Fixez le volet anti-refoulement sur le manchon d'évacuation.
 - ▶ Fixez le manchon d'évacuation sur la sortie d'air.
 - ▶ Retirez le filtre à odeurs de l'intérieur de l'appareil.

4. En mode recirculation de l'air :
 - ▶ Fixez le cache sur la sortie d'air sur le dessus de l'appareil.



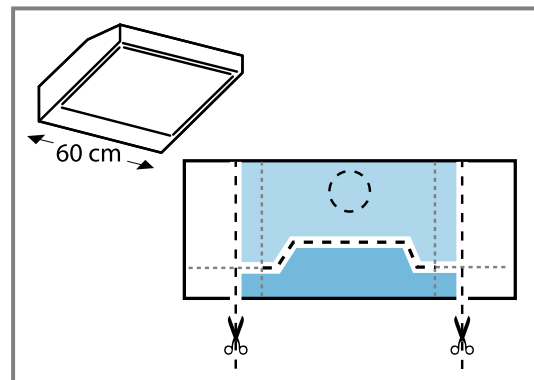
Préparer le gabarit de perçage

Vous pouvez monter le conduit d'évacuation sur le dessus de l'appareil.

Condition : Le meuble est adapté au montage.

→ "Contrôle du meuble", Page 25

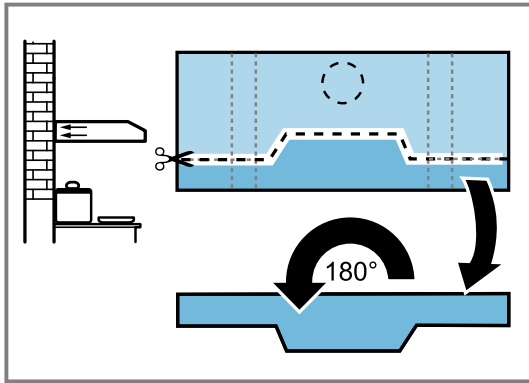
1. Couvrez la table de cuisson afin d'éviter tout endommagement.
2. Assurez-vous que le meuble d'encastrement est toujours stable après les travaux de découpe.
3. Si l'appareil fait 60 cm de large, coupez le gabarit de perçage sur le côté.



4. Si l'appareil est fixé au meuble haut, coupez le gabarit de perçage selon l'illustration suivante.

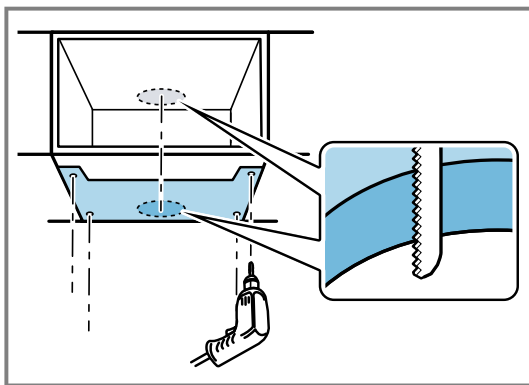


5. Si l'appareil est fixé au mur, coupez le gabarit de perçage selon l'illustration suivante.

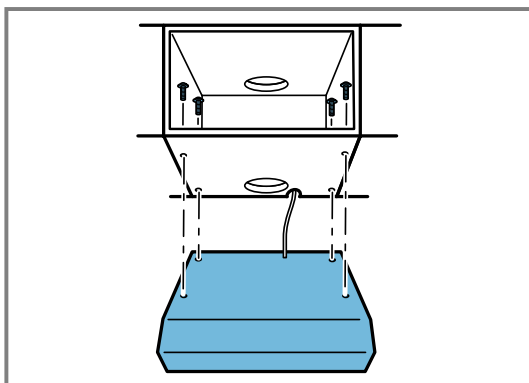


Fixer l'appareil au meuble haut

1. Tracez et créez les perçages à l'aide du gabarit de perçage.



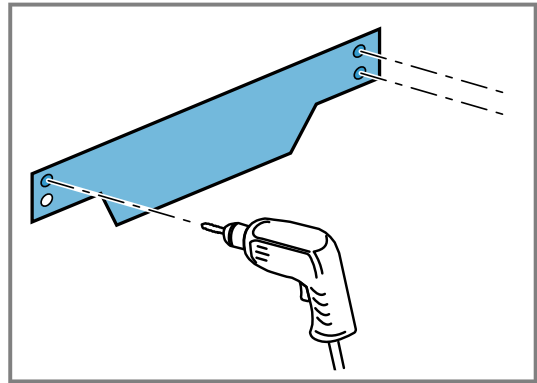
2. En cas de mode évacuation extérieure, réalisez l'ouverture pour le conduit d'évacuation dans le fond du meuble.
3. Placez l'appareil sous le meuble haut.
4. À l'aide de 4 vis, vissez l'appareil par le haut.



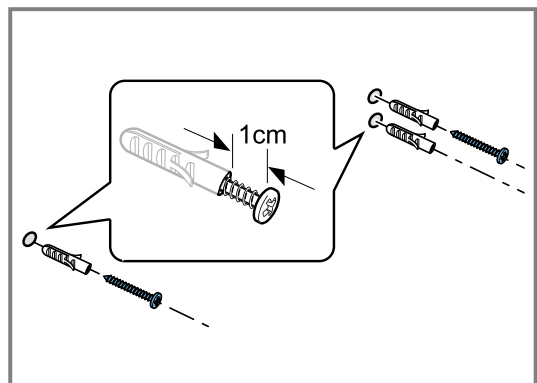
Fixer l'appareil au mur

1. Assurez-vous qu'aucune conduite électrique, de gaz ou d'eau ne se trouve au niveau des perçages.

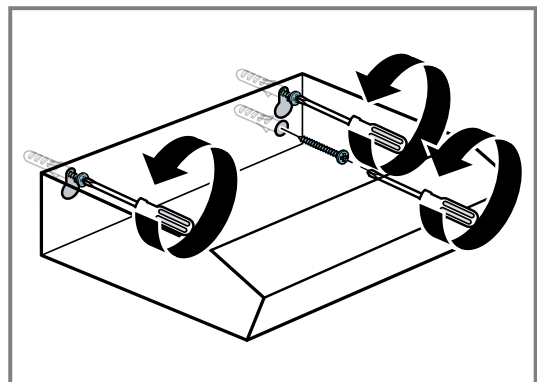
2. Tracez et créez les perçages à l'aide du gabarit de perçage.



3. Enfoncez les chevilles à fleur du mur.
4. Vissez deux vis dans les 2 trous supérieurs, mais sans les visser à fond.



5. En cas de mode évacuation extérieure, réalisez l'ouverture pour le conduit d'évacuation dans le fond du meuble.
6. Démontez les filtres à graisse.
→ "Démontez le filtre à graisse", Page 19
7. Accrochez l'appareil sur les vis supérieures.
8. Alignez l'appareil à l'horizontale.
9. Vissez entièrement les vis supérieures.
10. Vissez la vis de sécurité.



11. Insérez le filtre à graisse.
Ne pliez pas le filtre à graisse afin d'éviter tout endommagement.

Réaliser le raccordement de l'évacuation de l'air

Vous pouvez monter le conduit d'évacuation sur le manchon d'évacuation sur le dessus de l'appareil.

1. Fixez le tuyau d'évacuation au manchon d'évacuation.

2. Réalisez la jonction vers l'orifice d'évacuation d'air.
3. Étanchez les zones de jonction.

Réaliser le raccordement électrique

1. Insérez la fiche secteur dans la prise du contact de mise à la terre.
2. Si un raccordement fixe est nécessaire, respectez les consignes du chapitre .
→ *"Remarques concernant le branchement électrique", Page 24*

Démonter l'appareil

1. Débranchez l'appareil du réseau électrique.
2. Retirez le conduit d'évacuation.
3. Retirez le filtre à graisse.
Ne pliez pas le filtre à graisse, afin d'éviter tout endommagement.
4. Desserrez le vissage du meuble d'encastrement.
5. Retirez l'appareil.



Many thanks for choosing a Bosch home appliance!

Register your new appliance now on MyBosch and benefit directly from:

- **Expert advice and tips to make the most of your appliance**
- **Options for warranty extension**
- **Discounts on spare parts and accessories**
- **Digital information for use and all appliance data to hand**
- **Easy access to Bosch Home Appliance Service**

Simple to register, free of charge – including on mobile devices:
www.bosch-home.com/welcome



Need some help? You can find it here.

Expert advice on your Bosch home appliances, help with problems or repairs by professionals from Bosch.

Discover all the different ways Bosch can assist you:

www.bosch-home.com/service

The contact details of all countries are listed in the attached service directory.

BSH Hausgeräte GmbH

Carl-Wery-Straße 34
81739 München, GERMANY
www.bosch-home.com

A Bosch Company



9001578306 (050923)

en, fr