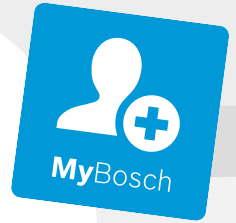




BOSCH

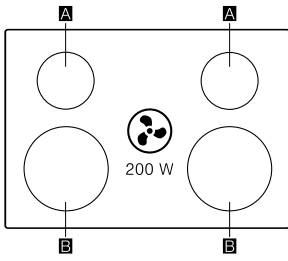


Register your
new device on
MyBosch now and
get free benefits:
[bosch-home.com/
welcome](https://bosch-home.com/welcome)

Induction hob with integrated ventilation system

PIE...B15.

[en] User manual



		S^1	b^1
A	Ø 14.5	1.400W	2.200W
B	Ø 21	2.200W	3.700W

¹ IEC 60335-2-6

Table of contents

1	Safety	3
2	Preventing material damage	6
3	Environmental protection and saving energy	6
4	Disposal	7
5	Induction cooking	7
6	Familiarising yourself with your appliance	9
7	Operating modes	10
8	Before using for the first time	10
9	Basic operation	10
10	Time-setting options	13
11	PowerBoost function	14
12	Childproof lock	14
13	Automatic safety switch-off function	14
14	Basic settings	15
15	Checking the cookware	16
16	PowerManager function	16
17	Cleaning and servicing	17
18	FAQs	19
19	Troubleshooting	21
20	Customer Service	22
21	Test dishes	23



1 Safety

Observe the following safety instructions.

1.1 General information

You can find general information for this instruction manual here.

- Read this instruction manual carefully.
- This manual is intended for the user of the appliance.
- Follow the safety instructions and warnings.
- Keep the instructions, the appliance pass and the product information safe for future reference or for the next owner.
- Do not connect the appliance if it has been damaged in transit.

1.2 Intended use

Read the information on intended use to ensure that you use the appliance correctly and safely.

Only a licensed professional may connect appliances without plugs. Damage caused by incorrect connection is not covered under the warranty.

The appliance can only be used safely if it is correctly installed according to the safety instructions. The installer is responsible for ensuring that the appliance works perfectly at its installation location.

Only use this appliance:

- As specified in this instruction manual.
- To prepare meals and drinks.
- Under supervision. Never leave the appliance unattended when cooking for short periods.
- In private households and in enclosed spaces in a domestic environment.
- Up to an altitude of max. 2000 m above sea level.

Do not use the appliance:

- with an external timer or a remote control.
- To extract hazardous or explosive substances and vapours.
- To extract small parts and liquids.

If you wear an active implantable medical device (e.g. a pacemaker or defibrillator), check with your doctor that it complies with Council Directive 90/385/EEC of 20th June 1990, EN 45502-2-1 and EN 45502-2-2, and that it has been chosen, implanted and programmed in accordance with VDE-AR-E 2750-10. If these conditions are satisfied, and if, in addition, non-metal cooking utensils and cookware with non-metal handles are used, it is safe to use this induction hob as intended. If these conditions are satisfied, and if, in addition, non-metal cooking utensils and cookware with non-metal handles are used, it is safe to use this induction hob as intended.

1.3 Restriction on user group

Avoid risks to children and vulnerable persons.

This appliance may be used by children aged 8 or over and by people who have reduced physical, sensory or mental abilities or inadequate experience and/or knowledge, provided that they are supervised or have

been instructed on how to use the appliance safely and have understood the resulting dangers.

Children must not play with the appliance. Children must not perform cleaning or user maintenance unless they are at least 15 years old and are being supervised. Keep children under the age of 8 years away from the appliance and power cable.

1.4 Safe use

Follow these safety instructions when using the appliance.

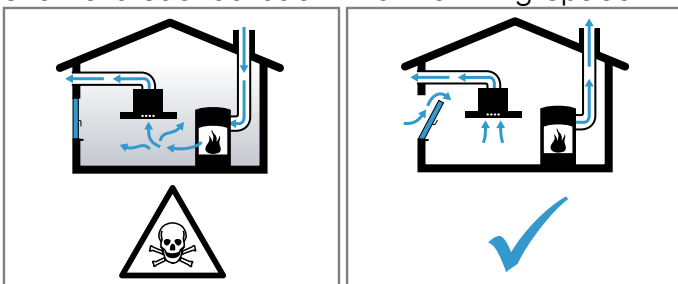
⚠ WARNING – Risk of suffocation!

Children may breathe in or swallow small parts, causing them to suffocate.

- ▶ Keep small parts away from children.
 - ▶ Do not let children play with small parts.
- Children may put packaging material over their heads or wrap themselves up in it and suffocate.
- ▶ Keep packaging material away from children.
 - ▶ Do not let children play with packaging material.

⚠ WARNING – Risk of poisoning!

Risk of poisoning from flue gases being drawn back in. Room-air-dependent heat-producing appliances (e.g. gas, oil, wood or coal-operated heaters, continuous flow heaters or water heaters) obtain combustion air from the room in which they are installed and discharge the exhaust gases into the open through an exhaust gas system (e.g. a chimney). With the extractor hood switched on, air is extracted from the kitchen and the adjacent rooms. Without an adequate supply of air, the air pressure falls below atmospheric pressure. Toxic gases from the flue or the extraction shaft are sucked back into the living space.



- ▶ Always ensure adequate fresh air in the room if the appliance is being operated in exhaust air mode at the same time as a room-air-dependent heat-producing appliance is being operated.
- ▶ It is only possible to safely operate the appliance if the pressure in the room in which the heating appliance is installed does not drop more than 4 Pa (0.04 mbar) below atmospheric pressure. This can be achieved whenever the air needed for combustion is able to enter through openings that cannot be sealed, for example in doors, windows, incoming/exhaust air wall boxes or by other technical means. An incoming/exhaust air wall box alone does not ensure compliance with the limit.
- ▶ In any case, consult your responsible chimney sweep. They are able to assess the house's entire ventilation setup and will suggest the suitable ventilation measures to you.
- ▶ Unrestricted operation is possible if the appliance is operated exclusively in circulating-air mode.

⚠ WARNING – Risk of fire!

Hot oils and fats ignite very quickly.

- ▶ Never leave hot oil or fat unattended.
- ▶ Never use water to put out burning oil or fat.
- ▶ Switching off the hotplate.
- ▶ Extinguish flames carefully using a lid, fire blanket or something similar.

The hotplates become very hot.

- ▶ Never place combustible items on the hob.
- ▶ Do not store any objects on the hob.

The appliance will become hot.

- ▶ Do not keep combustible objects or aerosol cans in drawers directly underneath the hob.

Hob covers can cause accidents, for example due to overheating, catching fire or materials shattering.

- ▶ Do not use hob covers.

After every use, switch off the hob using the main switch.

- ▶ Do not wait until the hob turns off automatically as there are no longer any pots and pans on it.

Fatty deposits in the grease filters may catch fire.

- ▶ Never operate the appliance without a grease filter.
- ▶ Clean the grease filters regularly.
- ▶ Never work with naked flames close to the appliance (e.g. flambéing).
- ▶ Do not install the appliance near a solid fuel heating appliance (e.g. wood- or coal-burning) unless the heating appliance has a sealed, non-removable cover. There must be no flying sparks.

⚠ WARNING – Risk of burns!

The hotplates and surrounding area (particularly the hob surround, if fitted) become very hot.

- ▶ Never touch the hot surfaces.
- ▶ Keep children at a safe distance.

The hotplate heats up but the display does not work.

- ▶ Switch off the circuit breaker in the fuse box.
- ▶ Call the after-sales service.

Unsuitable safety devices or child hob guards may result in accidents.

- ▶ Only use safety devices, such as child hob guards, which have been approved by us.

Metal objects on the hob quickly become very hot.

- ▶ Never place metal objects (such as knives, forks, spoons and lids) on the hob.

The appliance becomes hot during operation.

- ▶ Allow the appliance to cool down before cleaning.
- ▶ If hot liquids penetrate the appliance, only remove the grease filter or the overflow container once the appliance has cooled down.

⚠ WARNING – Risk of electric shock!

Incorrect repairs are dangerous.

- ▶ Repairs to the appliance should only be carried out by trained specialist staff.
- ▶ Only use genuine spare parts when repairing the appliance.

- ▶ If the power cord of this appliance is damaged, it must be replaced with a special connection cable, which is available from the manufacturer or his Customer Service.

If the appliance or the power cord is damaged, this is dangerous.

- ▶ Never operate a damaged appliance.
- ▶ Never operate an appliance with a cracked or fractured surface.
- ▶ Never pull on the power cord to unplug the appliance. Always unplug the appliance at the mains.
- ▶ If the appliance or the power cord is damaged, immediately unplug the power cord or switch off the fuse in the fuse box.
- ▶ "Call customer services." → *Page 22*
- ▶ Repairs to the appliance should only be carried out by trained specialist staff.

An ingress of moisture can cause an electric shock.

- ▶ Do not use steam- or high-pressure cleaners to clean the appliance.

The insulation on cables of electrical appliances may melt if it touches hot parts of the appliance.

- ▶ Never bring electrical appliance cables into contact with hot parts of the appliance.

⚠ WARNING – Risk of injury!

Saucepans may suddenly jump due to liquid between the saucepan base and the hotplate.

- ▶ Always keep hotplates and saucepan bases dry.
- ▶ Never use icy-cold cookware that has been in the freezer.

When cooking in a bain marie, the hob and cooking container could shatter due to overheating.

- ▶ The cooking container in the bain marie must not directly touch the bottom of the water-filled pot.
- ▶ Only use heat-resistant cookware.

An appliance with a cracked or broken surface can cause cuts.

- ▶ Do not use the appliance if it has a cracked or broken surface.

2 Preventing material damage

Follow these instructions to prevent material damage to your appliance, accessories or other objects in your kitchen.

ATTENTION!

Rough pot and pan bases will scratch the ceramic.

- ▶ Check your cookware.

Boiling pans dry may damage cookware or the appliance.

- ▶ Never place empty pans on a heated hotplate or allow to boil dry.

Incorrectly positioned cookware can cause the appliance to overheat.

- ▶ Never place hot pots or pans on the controls or the hob surround.

Damage can occur if hard or pointed objects fall onto the hob.

- ▶ Do not let hard or pointed objects fall onto the hob.

Non heat-resistant materials will melt on heated hotplates.

- ▶ Do not use oven protective foil.
- ▶ Do not use aluminium foil or plastic containers.

2.1 Overview of the most common damage

Here you can find the most common types of damage and tips on how to avoid them.

Damage	Cause	Measure
Stains	Food boiling over	Remove boiled-over food immediately with a glass scraper.
Stains	Unsuitable cleaning products	Only use cleaning products that are suitable for glass ceramic.
Scratches	Salt, sugar or sand	Do not use the hob as a work surface or storage space.
Scratches	Rough pot or pan bases	Check your cookware.
Discolouration	Unsuitable cleaning products	Only use cleaning products that are suitable for glass ceramic.
Discolouration	Pan abrasion, e.g. aluminium	Lift pots and pans to move on the hob.
Blisters	Sugar or food with a high sugar content	Remove boiled-over food immediately with a glass scraper.

3 Environmental protection and saving energy

Help protect the environment by using your appliance in a way that conserves resources and by disposing of reusable materials properly.

3.1 Disposing of packaging

The packaging materials are environmentally compatible and can be recycled.

- ▶ Sort the individual components by type and dispose of them separately.

3.2 Saving energy

If you follow these instructions, your appliance will use less energy.

Select the cooking zone to match the size of your pan. Centre the cookware on the hob.

Use cookware whose base diameter is the same diameter as the hotplate.

Tip: Cookware manufacturers often give the upper diameter of the saucepan. It is often larger than the base diameter.

- Unsuitable cookware or incompletely covered cooking zones consume a lot of energy.

Cover saucepans with suitable lids.

- Cooking without a lid consumes considerably more energy.

Lift lids as infrequently as possible.

- When you lift a lid, a lot of energy escapes.

Using a glass lid

- You can see into the pan through a glass lid without having to lift it.

Use pots and pans with flat bases.

- Uneven bases increase energy consumption.

Use cookware suited to the quantity of food.

- Large items of cookware containing little food need more energy to heat up.

Cook with little water.

- The more water contained in cookware, the more energy is required to heat it up.

Turn down to a lower heat setting early on. Use a suitable ongoing cooking setting to continue cooking.

- If you use an ongoing cooking setting that is too high, you will waste energy

Adjust the fan speed to the amount of steam produced during cooking.

- The lower the fan speed, the less energy is consumed.

If cooking produces large amounts of steam, select a higher fan speed in good time.

- The odours are distributed around the room less.

Switch the appliance off when you are not using it.

- The appliance does not consume any energy.

Ensure that there is sufficient ventilation when cooking.

- The appliance works more efficiently and with fewer operating noises.

Clean or replace the filters at regular intervals.

- The effectiveness of the filter is retained.

4 Disposal

Find out here how to dispose of old appliances correctly.

4.1 Disposing of old appliance

Valuable raw materials can be reused by recycling.

1. Unplug the appliance from the mains.
2. Cut through the power cord.
3. Dispose of the appliance in an environmentally friendly manner.

Information about current disposal methods are available from your specialist dealer or local authority.



This appliance is labelled in accordance with European Directive 2012/19/EU concerning used electrical and electronic appliances (waste electrical and electronic equipment - WEEE).

The guideline determines the framework for the return and recycling of used appliances as applicable throughout the EU.

5 Induction cooking

5.1 Advantages of induction cooking

Induction cooking is fundamentally different from traditional cooking methods, since the heat builds up directly in the cookware. This offers numerous advantages:

- Saves time when boiling and frying.
- Saves energy.
- Easier to care for and clean. Spilled food does not burn on as quickly.
- Controlling the heat supply and safety; the hob increases or decreases the heat supply as soon as the user changes the setting. The induction cooking zone stops the heat supply if you remove the cookware from the cooking zone without you having to switch it off first.

5.2 Cookware

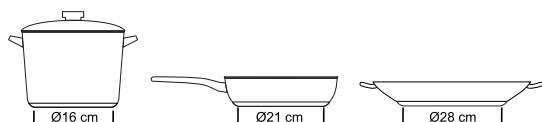
Only ferromagnetic cookware is suitable for induction cooking.

For example:

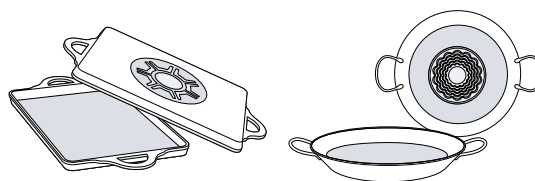
- Enamelled steel cookware
- Cast iron cookware
- Special stainless steel cookware that is suitable for induction cooking

You can find additional information on which items of cookware are suitable for the induction cooking under → "Checking the cookware", Page 16

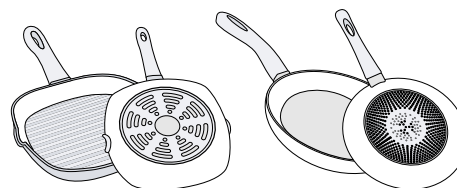
In order to achieve a good cooking result, ensure that the ferromagnetic area of the cookware base corresponds to the size of the cooking zone. If the cookware is not detected on a cooking zone, place it on a cooking zone with a smaller diameter.



The base of many items of induction cookware is not fully ferromagnetic: If you use large cookware with a smaller ferromagnetic base, only the area that is ferromagnetic heats up. As a result, the heat is not distributed evenly. The temperature of the non-ferromagnetic area may therefore be too low for cooking.



Cookware bases that contain aluminium reduce the ferromagnetic area. This may reduce the output and the cookware will not be detected sufficiently or at all, and will therefore not be heated sufficiently.



Unsuitable cookware

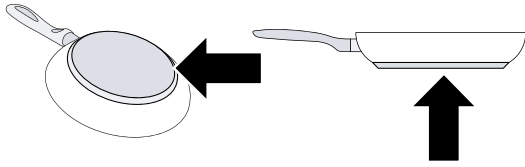
Never use flow plates or cookware made of the following:

- Thin-walled normal steel
- Glass
- Clay
- Copper
- Aluminium

Composition of the cookware base

The material(s) from which the base of the cookware is made can affect the cooking result. Cookware made of materials that distribute heat evenly in the pot, such as saucepans with a stainless steel sandwich base, save time and energy.

You should preferably use cookware with a flat base because uneven cookware bases impair the heat supply.



No cookware/cookware of an unsuitable size

If you do not place cookware on the selected cooking zone or the cookware is made of an unsuitable material or is not the right size for the cooking zone, the display for the cooking zone flashes. To make the display go out, place a suitable item of cookware on the cooking zone. If you do not place a suitable item of cookware on the cooking zone within 90 seconds, it automatically switches off.

Empty cookware or cookware with a thin base

Do not heat empty cookware and do not use cookware with a thin base. The hob is equipped with an internal safety system. However, empty cookware may heat up so quickly that the "Automatic switch-off" function does not respond in good time and an excessive temperature is reached. As a result, the base of the cookware may melt and damage the glass plate. In this case, do not touch the cookware and switch off the cooking zone. If the cooking zone no longer works after cooling down, contact the technical after-sales service.

Cookware detection

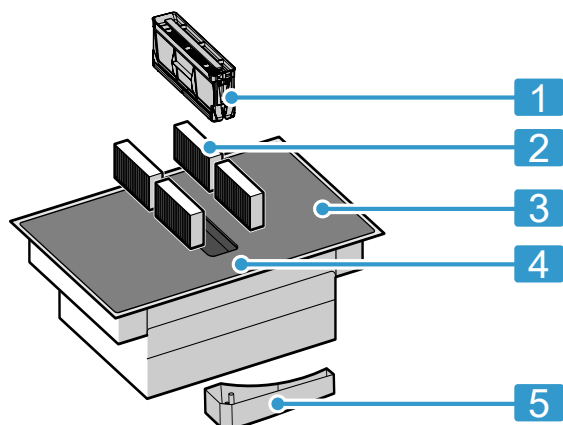
Each cooking zone has a minimum limit for the cookware detection and this depends on the ferromagnetic diameter and the material of the base of the cookware. Therefore, use the cooking zone that best corresponds to the diameter of the pan base.

6 Familiarising yourself with your appliance

Familiarise yourself with the parts of your appliance.

6.1 Your new appliance

Information about your new appliance



No.	Designation
1	Grease filter
2	Odour filter for circulating-air mode or acoustics filter for air extraction mode ¹
3	Hob
4	Control panel
5	Overflow container

¹ Depending on the appliance specifications.

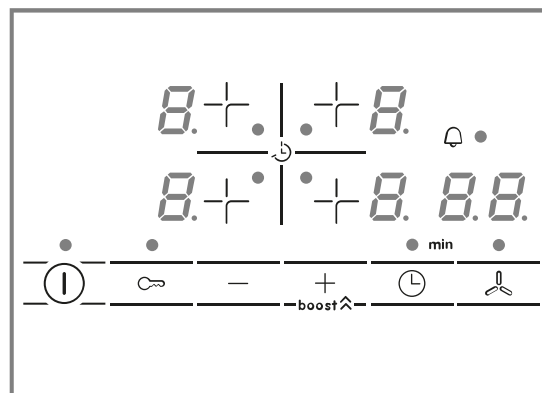
6.2 Special accessories

Depending on the appliance model, various accessories are available and you can obtain these from specialist retailers, from our after-sales service or from our official website.

- Air extraction set
- Air recirculation set
- Odour filter for recirculating air mode
- Acoustics filter for air extraction mode

6.3 The control panel

On certain models, specific details such as the colour and shape may differ from those pictured.



Selection sensors

Sensor	Function
ⓘ	Main switch
+	Selecting the cooking zone
-/+	Adjustment fields
boost ^	PowerBoost function Intensive ventilation setting
⌚	Timer function
🔒	Childproof lock
🌀	Manual ventilation control

Displays

Display	Function
0	Operating status
1-9	Power levels
1-3	Ventilation settings
H/h	Residual heat
b	PowerBoost function Intensive ventilation setting
00	Time-setting options

Selection sensors and displays

Touch a symbol to activate the corresponding function.

- Always keep the control panel clean and dry. Moisture impairs the function.
- Do not place cookware close to the displays and sensors. The electronics may overheat.

6.4 The cooking zones

You can find additional information on which items of cookware are suitable for the induction cooking under → "Induction cooking", Page 7.

The cooking zones		
○	Single cooking zone	Use cookware that is a suitable size.

6.5 Residual heat indicator

The hob has a residual heat indicator for each cooking zone. This indicates that a cooking zone is still hot. Do not touch the cooking zone immediately after switching it off or while the residual heat indicator is lit.

Depending on the amount of residual heat, the following is shown:

- **H** display: High temperature

- **h** display: Low temperature

If you remove the cookware from the cooking zone during cooking, the residual heat indicator and the selected power level flash alternately.

If you switch off the cooking zone, the residual heat indicator lights up. If the hob has been switched off, the residual heat indicator remains lit for as long as the cooking zone remains warm.

7 Operating modes

You can use your appliance in air extraction mode or circulating-air mode.

The saturation indicator must be adjusted to the selected operating mode and the filters used.

7.1 Air extraction mode

The air which is drawn in is cleaned by the grease filters and conveyed to the exterior by a pipe system.



The air must not be discharged into a flue that is used for exhausting fumes from appliances burning gas or other fuels (not applicable to appliances that only discharge the air back into the room).

- If the exhaust air is to be conveyed into a non-functioning smoke or exhaust gas flue, you must obtain the consent of the heating engineer responsible.
- If the exhaust air is conveyed through the external wall, a telescopic duct should be used.

7.2 Air recirculation mode

The air which is drawn in is cleaned by the grease filters and an odour filter, and conveyed back into the room.



To bind odours in circulating-air mode, you must install an odour filter. The different options for operating the appliance in circulating-air mode can be found in our catalogue. Alternatively, ask your dealer. The required accessories are available from specialist retailers, from customer service or from the Online Shop.

8 Before using for the first time

Configure the settings for initial start-up. Clean the appliance and accessories.

8.1 Setting the operating mode

The appliance is supplied with a preset circulating-air mode.

When your hob is installed with an air outlet to the outside, you must configure the setting **c 1 7** to this mode. You can find additional information about this in the section entitled

→ "Basic settings", Page 15

9 Basic operation

You can find out everything you need to know about operating your appliance here.

9.1 Switching the hob on and off

Switch the hob on and off using the main switch **⓪**.

If you switch the appliance back on again within four seconds after switching off, the hob starts up with the previously stored settings.

Note: Never operate the appliance without the metal grease filter and the overflow container.

Switching on the hob

- ▶ Touch **⓪**.
An audible signal sounds and the **⓪** display beside it lights up.
- ✓ The hob is ready for use.

Switching off the hob

- ▶ Touch **⓪** until the displays go out.
The residual heat indicator lights up until the cooking zones have cooled down sufficiently.
- ✓ All cooking zones are switched off.

Note: The hob switches off if all cooking zones have been switched off for more than 20 seconds.

9.2 Setting the cooking zones

Use the **+** and **-** symbols to select the required power level.

Performance level	
1	Lowest performance level
9	Highest performance level

Every power level has an intermediate setting. This is marked with a dot.

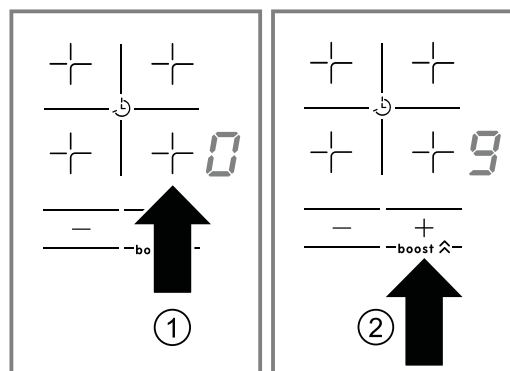
Notes

- In order to protect the delicate parts of the appliance from overheating or surge currents, the hob may temporarily reduce the power level.
- In order to prevent the appliance from producing excess noise, the hob may temporarily reduce the power level.

Selecting the cooking zone and power level

1. Touch **+** to select the cooking zone.

2. Within the next 10 seconds, touch **+** or **-**.
 - Touch **+**. The power level **9** is displayed.
 - Touch **-**. The power level **4** is displayed.



- ✓ The power level is set.

Notes

- If you place cookware on the cooking zone before you switch the hob on, and you touch **⓪**, the cookware is detected 20 seconds later. The cooking zone is selected automatically. If the cookware is detected, select the power level within 20 seconds, otherwise the cooking zone switches itself off. If you place several items of cookware down and switch on the hob, only one item of cookware is detected.
- If there is no cookware on the cooking zone, the selected power level flashes. After a certain period of time, the cooking zone switches itself off.

Changing the power level and switching off the cooking zone

1. Select the cooking zone.
 2. Touch **+** or **-** until the required power level appears or set **⓪**.
- ✓ The cooking zone's power level changes or the cooking zone switches itself off and the residual heat indicator appears.

Switching off the cooking zone quickly

Touch and hold the symbol for the cooking zone for three seconds. The cooking zone switches itself off.

9.3 Cooking tips

- When heating up puree, cream soups or thick sauces, stir occasionally.
- To preheat, set the power level 8-9.
- When cooking with the lid on, reduce the power level as soon as you see steam escaping. The cooking result is not affected by the steam escaping.
- After cooking, close the cookware until you serve the dish.
- To cook with the pressure cooker, observe the manufacturer's instructions.
- Do not cook food for too long, otherwise nutrients will be lost. The short-term timer enables you to set the optimal cooking time.
- To achieve a healthier result, make sure that the oil does not smoke.
- To brown the food, fry it in small portions, one after the other.

- Some items of cookware may reach high temperatures while the food is cooking. You should therefore use oven gloves.
- You can find recommendations for energy-efficient cooking under
→ "Saving energy", Page 6

Cooking table

The table shows which power level (⋯) is suitable for which food. The cooking time (⌚ min) may vary depending on the type, weight, thickness and quality of the food.

	⋯	⌚ min
Melting		
¹ Without lid		
² Preheat to power level 8 - 9.		
³ Turn frequently		

	☰	⊖ min
Chocolate, coatings	1 - 1.	-
Butter, honey, gelatine	1 - 2	-
Heating and keeping warm		
Stew, e.g. lentil stew	1. - 2	-
Milk ¹	1. - 2.	-
Boiled sausages ¹	3 - 4	-
Defrosting and heating		
Spinach, frozen	3 - 4	15 - 25
Goulash, frozen	3 - 4	35 - 55
Poaching, simmering		
Potato dumplings ¹	4. - 5.	20 - 30
Fish ¹	4 - 5	10 - 15
White sauces, e.g. Béchamel sauce	1 - 2	3 - 6
Whisked sauces, e.g. Béarnaise sauce, Hollandaise sauce	3 - 4	8 - 12
Boiling, steaming, braising		
Rice, with double the volume of water	2. - 3.	15 - 30
Rice pudding ²	2 - 3	30 - 40
Unpeeled boiled potatoes	4. - 5.	25 - 35
Boiled potatoes	4. - 5.	15 - 30
Pasta ¹	6 - 7	6 - 10
Stew	3. - 4.	120 - 180
Soups	3. - 4.	15 - 60
Vegetables	2. - 3.	10 - 20
Vegetables, frozen	3. - 4.	7 - 20
Stew in a pressure cooker	4. - 5.	-
Stewing		
Rolled roasting joint	4 - 5	50 - 65
Pot-roasting	4 - 5	60 - 100
Goulash ²	3 - 4	50 - 60
Braising/frying with a small amount of fat¹		
Escalope, plain or breaded	6 - 7	6 - 10
Escalope, frozen	6 - 7	6 - 12
Chop, plain or breaded ³	6 - 7	8 - 12
Steak, 3 cm thick	7 - 8	8 - 12
Poultry breast, 2 cm thick ³	5 - 6	10 - 20
Poultry breast, frozen	5 - 6	10 - 30
Patties, 3 cm thick ³	4. - 5.	20 - 30
Hamburgers, 2 cm thick ³	6 - 7	10 - 20
Fish and fish fillet, plain	5 - 6	8 - 20
Fish and fish fillet, breaded	6 - 7	8 - 20
Fish, breaded and frozen, e.g. fish fingers	6 - 7	8 - 15
Prawns and scampi	7 - 8	4 - 10

¹ Without lid

² Preheat to power level 8 - 8.

³ Turn frequently

	☰	⊖ min
Sautéing fresh vegetables and mushrooms	7 - 8	10 - 20
Stir-fry, vegetables, meat cut in strips Asian-style	7 - 8	15 - 20
Frozen dishes, e.g. stir-fries	6 - 7	6 - 10
Pancakes, cooked one after the other	6. - 7.	-
Omelette, cooked one after the other	3. - 4.	3 - 10
Fried eggs	5 - 6	3 - 6
Deep-frying, 150–200 g per portion in 1–2 l oil, deep-fat fried in portions¹		
Frozen products, e.g. chips, chicken nuggets	8 - 9	-
Croquettes, frozen	7 - 8	-
Meat, e.g. chicken portions	6 - 7	-
Fish, breaded or battered	6 - 7	-
Vegetables, mushrooms, breaded, beer-battered or tempura	6 - 7	-
Small baked items, e.g. doughnuts, battered fruit	4 - 5	-

¹ Without lid

² Preheat to power level 8 - 8.

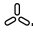
³ Turn frequently

9.4 Manual ventilation control

You can control the ventilation setting manually.

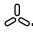
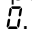
Note: Using tall items of cookware may prevent the extraction system from working at optimum power. You can improve the extraction power by placing the lid on the cookware at an angle.

Activating the manual ventilation control

1. Touch .
The ventilation system starts at the preset performance level.
2. Use the + and – symbols to select the required performance level within the next 10 seconds.
✓ The performance level lights up.

Note: If you have set a cooking time or timer duration, touch  to view the ventilation setting.

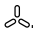
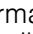

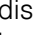
Changing or deactivating manual ventilation control

1. Touch .
2. Select the required performance level or set the + and – symbols to .

9.5 Intensive ventilation setting

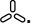
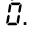
The appliance has an intensive ventilation setting. If you activate the intensive ventilation setting, the ventilation system works at maximum output for a short time.

Activating the intensive ventilation setting

1. Touch .
2. Select performance level  and then touch **boost** .
The  display lights up.
✓ The intensive setting is activated.

Note: After approx. eight minutes, the appliance automatically switches back to performance level 3.

Changing or deactivating the intensive ventilation setting

1. Touch .
2. Select the required performance level or set the + and - symbols to .

9.6 Automatic start for the ventilation system

If you select a power level for a cooking zone, the automatic start switches on.

The ventilation system starts at the corresponding power level. You can find out how to change this setting in section

→ "Basic settings", Page 15.

9.7 Run-on function for the ventilation system

The run-on function leaves the ventilation system running for a few minutes after the hob has been switched off. This allows you to remove any cooking fumes that remain. The ventilation system then automatically switches off.

Activating the fan run-on


As standard, the run-on time is activated with a maximum switch-off time.

You can find out how to change this setting in section → "Basic settings", Page 15.

Note: The run-on function only switches on if at least one cooking zone has been switched on for at least one minute.

Deactivating the fan run-on

Manually

To deactivate the function, touch .

Automatically

The appliance deactivates the run-on function if:

- The run-on time has elapsed.
- You switch the appliance on again.

10 Time-setting options

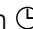

Your hob has various functions for setting the cooking time:

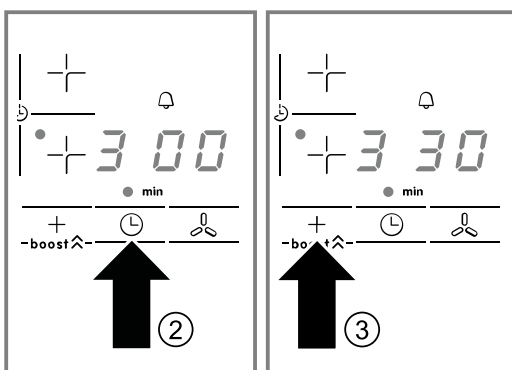
- Setting the cooking time
- Automatically programming the cooking time
- Timer

10.1 Setting the cooking time

The cooking zone switches off automatically once the time that is set has elapsed. You can set a cooking time of up to 99 minutes.

Programming the cooking time


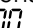
1. Select the cooking zone and the required power level.
2. Touch .
 - ✓ The • display for the cooking zone lights up.  appears in the timer display.
3. Touch + or -. The following basic setting appears:
 - Touch +: 30 minutes
 - Touch -: 10 minutes




4. Use the + or - symbols to select the cooking time.
 - ✓ The time starts to elapse.


Note: If you have set a cooking time for several cooking zones, the time information for each of the selected cooking zones always appears in the timer display.

Changing or deleting the cooking time

1. Select the cooking zone.
2. Touch .
3. To change the cooking time, touch + or - or set it to .

Once the cooking time has elapsed

The cooking zone switches itself off. An audible signal sounds and  appears in the timer display for 10 seconds. The • display lights up in the cooking zone.

- ▶ Touch .
- ✓ The displays go out and the audible signal stops.

10.2 Automatically programming the cooking time

You can automatically set the same cooking time for all cooking zones. The set time for each of the cooking zones counts down independently of the others.

You can find more information about this at → "Basic settings", Page 15.

10.3 Short-term timer

You can use the short-term timer to set a time of up to 99 minutes. This function operates independently of the cooking zones and other settings. This function does not automatically switch off a cooking zone.

Setting the short-term timer

1. Select the short-term timer in one of two ways:

- If a cooking zone has been selected: Touch ☹ twice.
- If you have not selected a cooking zone: Touch ☹.
- ✓ The • display beside ☹ lights up. **00** appears in the timer display.
- 2. Touch + or -. The basic setting appears:
 - Touch +: 10 minutes
 - Touch -: 05 minutes
- 3. To select the required time, touch + or -.
 - ✓ The time starts to elapse.

Changing or deleting the timer duration

1. Touch ☹ repeatedly until the • display beside ☹ lights up.
2. To change the cooking time, touch + or - or set it to **00**.

Once the timer duration has elapsed

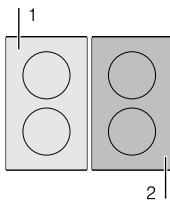
A signal sounds. **00** appears in the timer display. The displays go out after 10 seconds.

- ▶ Touch ☹.
- ✓ The displays go out and the audible signal stops.

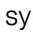
11 PowerBoost function

The PowerBoost function enables you to heat up large quantities of water faster than when using power level **9**.


You can activate this function for a cooking zone, provided the other cooking zone in the same group is not in use (see illustration). Otherwise, **b** and **9** flash in the display for the selected cooking zone. Power level **9** is then set automatically without activating the function.



11.1 Activating the PowerBoost function

1. Select the cooking zone.
2. Select power level **9** and then touch the **boost**  symbol. The **b** display lights up.
 - ✓ The function has been activated.

11.2 Deactivating the PowerBoost function

1. Select the cooking zone.
2. Touch the **boost**  symbol. The **b** display goes out and the cooking zone switches back to power level **9**.
 - ✓ The function has now been deactivated.

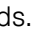
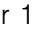
Note: In certain circumstances, the PowerBoost function is automatically switched off in order to protect the electronic elements inside the hob.

12 Childproof lock

The hob is equipped with a childproof lock. This prevents children from switching on the hob.

12.1 Activating the childproof lock

Requirement: The hob must be switched off.

- ▶ Touch and hold  for four seconds.
- ✓ The display beside  lights up for 10 seconds.
- ✓ The hob is now locked.

12.2 Deactivating the childproof lock

- ▶ Touch and hold  for four seconds.
- ✓ The lock is released.

12.3 Automatic childproof lock

The hob is equipped with an automatic childproof lock. This prevents children from switching on the hob.

Activating and deactivating

You can find more information about the automatic childproof lock under
→ "Basic settings", Page 15.

13 Automatic safety switch-off function

If you operate a cooking zone for an extended period and do not change any settings, the automatic safety shut-off is activated. This depends on the selected performance level from 1 to 10 hours.

The cooking zone stops heating. **FB** and the residual heat indicator **h** or **H** flash alternately in the cooking zone display.

To switch off the display, touch any symbol. You can restart the cooking zone.

14 Basic settings

You can configure the appliance to meet your needs.

14.1 Basic settings table

Display	Function
c 1	Childproof lock <ul style="list-style-type: none"> ☐ Manual.¹ ! Automatic. ☒ Function deactivated.
c 2	Audible signals <ul style="list-style-type: none"> ☐ Confirmation and fault signals are deactivated. ! Only the fault signal activated. ☒ Only the confirmation signal is activated. ☓ All signal tones are activated.¹
c 5	Automatically programming the cooking time <ul style="list-style-type: none"> ☐☐ Switched off.¹ ☐ 1-99 Time until automatic switch-off.
c 6	Duration of the timer end signal tone <ul style="list-style-type: none"> ! 10 seconds.¹ ☒ 30 seconds. ☓ 1 minute.
c 7	Power management function. Limit the total power of the hob . The available settings depend on the maximum power of the hob <ul style="list-style-type: none"> ☐ Deactivated. Maximum power of the hob.¹² ! 1000 W minimum power. ! 1500 W. ☒ 3000 W. Recommended for 13 A. ☓ 3500 W. Recommended for 16 A. ☒ 4000 W. ☒ 4500 W. Recommended for 20 A. ☒ 9 or 9. Maximum power of the hob.²
c 9	Time for selecting the cooking zone <ul style="list-style-type: none"> ☐ Unlimited: The cooking zone that was last set remains selected.¹ ! Limited: The cooking zone only remains selected for a few seconds.
c 12	Checking cookware, result of the cooking process <ul style="list-style-type: none"> ☐ Not suitable. ! Not optimal. ☒ Suitable.
c 17	Set circulating-air mode or air extraction mode <ul style="list-style-type: none"> ☐ Configure circulating-air mode.¹ ! Configure air extraction mode.

¹ Factory setting

² The hob's maximum power is shown on the rating plate.

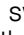
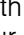
Display	Function
c 18	Setting automatic start <ul style="list-style-type: none"> ☐ Deactivated. ! Switched on.¹
c 20	Set the run-on <ul style="list-style-type: none"> ☐ Deactivated. ! Activated ¹: If your hob is working in air extraction mode, the ventilation system is switched on at the power level for approx. six minutes. If your hob is working in circulating-air mode, the ventilation system is switched on at the power level for approx. 30 minutes. The run-on function automatically switches off after this time.
c 0	Restoring factory settings <ul style="list-style-type: none"> ☐ Individual settings.¹ ! Factory settings.

¹ Factory setting


² The hob's maximum power is shown on the rating plate.

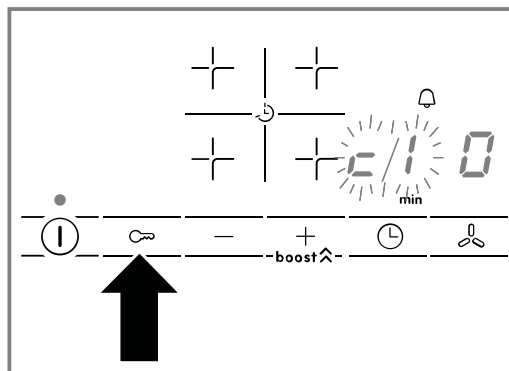
14.2 To go to the basic settings


Requirement: The hob must be switched off.

1. To switch on the hob, touch .
2. Within the next 10 seconds, touch and hold  for four seconds.

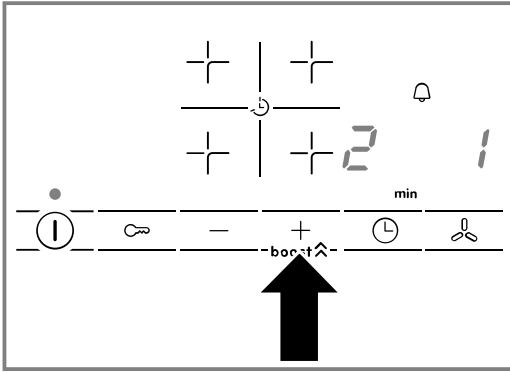
Product information	Display
Directory for the technical after-sales service (TK)	☐ !
Production number	Fd
Production number 1	99.
Production number 2	0.5

- ✓ The first four displays provide the product information. Touch + or - to view the individual displays.
- 3. Touch  to access the basic settings.



- ✓ c and !, along with ☐, light up alternately as a pre-setting.
- 4. Touch  repeatedly until the required function is displayed.

5. Use + or – to select the required setting.



6. Touch and hold ∞ for four seconds.
 ✓ The settings are saved.

14.3 Exiting the basic settings

- Touch ① to switch off the hob.

15 Checking the cookware

You can use this function to check the speed and quality of the cooking process depending on the cookware. The result is a reference value and depends on the properties of the cookware and the cooking zone being used.

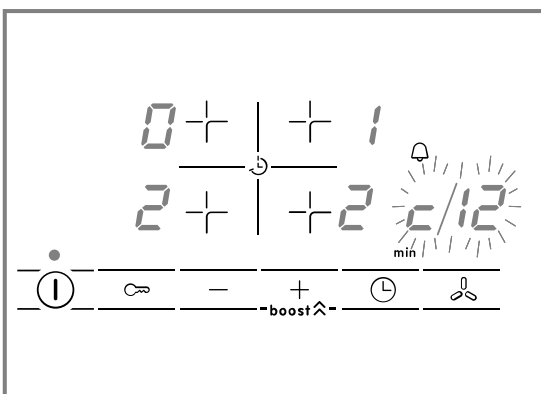
You can find more information about this function under

→ "Basic settings", Page 15 and on the type, size and positioning of the cookware under

→ "Induction cooking", Page 7.

15.1 Procedure for checking the cookware

1. Fill the cookware with approximately 200 ml water and place it at room temperature in the middle of the cooking zone that most closely matches the diameter of the base of the cookware.
2. Call up the basic settings and select $c\ 12$.
3. Touch + or –. The – display flashes in the cooking zones.
 ✓ The function has been activated.
 ✓ After 10 seconds, the result appears in the cooking zone displays.



Note: If the diameter of the cooking zone that is used is much smaller than the diameter of the cookware, only the middle of the cookware can be expected to heat up. This may result in the cooking results not being as good as expected or being less than satisfactory.

15.2 Checking the result

In the following table, you can check the result for the quality and speed of the cooking process:

Result	
0	The cookware is not suitable for the cooking zone and therefore does not heat up. ¹
1	The cookware is taking longer to heat up than expected and cooking is not progressing as well as it ought to. ¹
2	The cookware is heating up correctly and cooking is progressing well.

¹ If a smaller cooking zone is available, test the cookware on this cooking zone.

Touch + or – to activate the function.

16 PowerManager function

You can use the PowerManager function to set the total power of the hob.

The hob is set at the factory; the hob's maximum power is shown on the rating plate. You can use this function to adjust the configuration to the requirements of each electrical installation.

In order to not exceed this set value, the hob automatically distributes the available power as needed between the cooking zones that are switched on. While the PowerManager function is activated, the output of a cooking zone may temporarily fall below the nominal value. In order to not exceed this set value, the

hob automatically distributes the available power as needed between the cooking zones that are switched on. The appliance regulates and selects the highest power level automatically.

For more information, go to
→ "Basic settings", Page 15

17 Cleaning and servicing

To keep your appliance working efficiently for a long time, it is important to clean and maintain it carefully.

17.1 Cleaning products

You can obtain suitable cleaning products and glass scrapers from customer service, the online shop or a retailer.

ATTENTION!

Unsuitable cleaning products may damage the surfaces of the appliance.

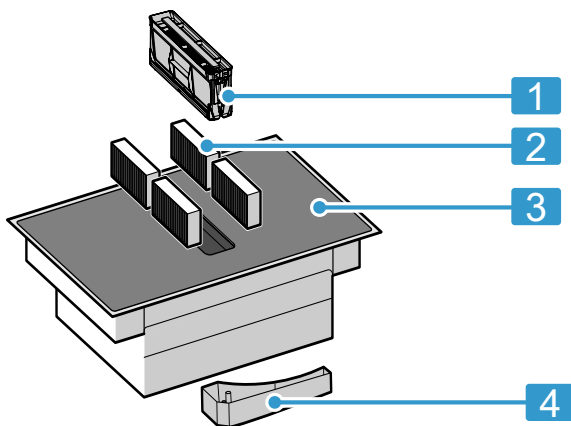
- ▶ Never use unsuitable cleaning products.
- ▶ Do not use cleaning products while the hob is still hot. This may cause marks on the surface.

Unsuitable cleaning products

- Undiluted detergent
- Detergent intended for dishwashers
- Abrasive cleaners
- Aggressive cleaning products such as oven spray or stain remover
- Abrasive sponges
- High-pressure or steam jet cleaners

17.2 Components to be cleaned or replaced

The following overview shows the components of the appliance that you either replace or clean.



- | | |
|---|----------------------------------|
| 1 | Grease filter |
| 2 | Odour filter or acoustics filter |
| 3 | Glass ceramic |
| 4 | Overflow container |

17.3 Cleaning the hob

Clean the hob after every use to stop cooking residues from getting burnt on.

Note: "Note the information on unsuitable cleaning products." → Page 17

Requirement: The hob has cooled down.

1. Remove heavy dirt using a glass scraper.
2. Clean the hob with a cleaning product for glass ceramic.
Follow the cleaning instructions on the product packaging.

Tip: You can achieve good cleaning results if you use a special sponge for glass ceramic.

17.4 Cleaning the hob surround

If the hob frame is dirty or stained after use, clean this.

Notes

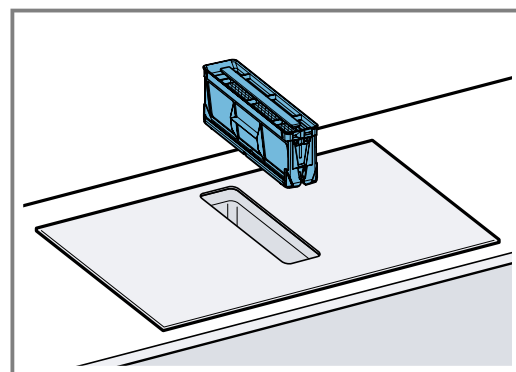
- "Observe the information on unsuitable cleaning products." → Page 17
 - Do not use a glass scraper.
1. Clean the hob frame with hot soapy water and a soft cloth.
Wash new sponge cloths thoroughly before use.
 2. Dry with a soft cloth.

17.5 Changing the odour filter or acoustics filter

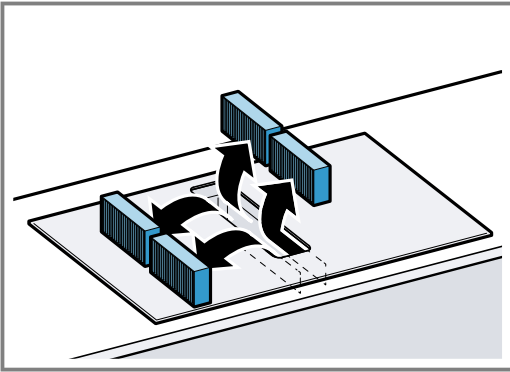
Change the odour filter regularly. Change the acoustics filters if they are dirty.

Requirement: You can obtain odour filters or acoustics filters from specialist retailers, customer service or in the online shop. To keep them in good working order, only use genuine replacement filters.

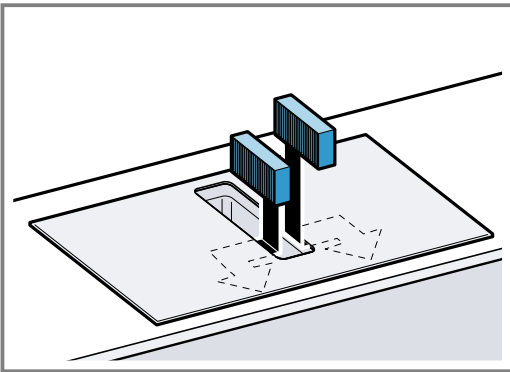
1. Remove the grease filter.
 - Grease may accumulate in the bottom of the container. Hold the grease filter level to prevent grease from dripping out.



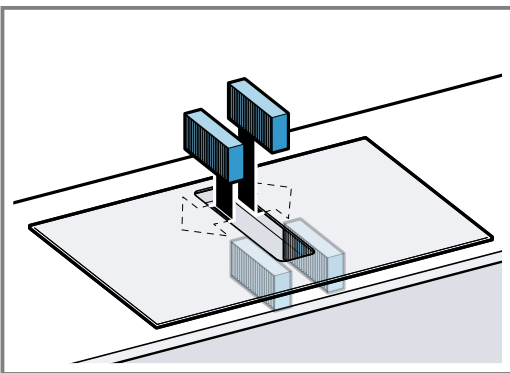
- Remove the four odour filters or acoustics filters, and dispose of them properly.



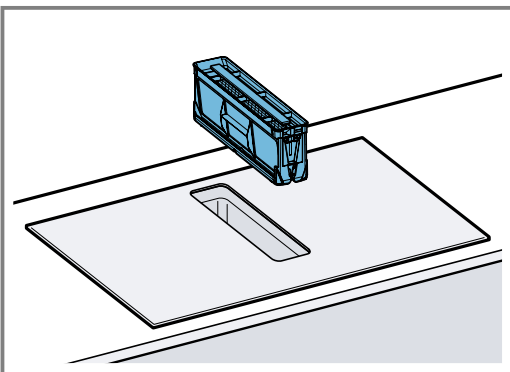
- Insert two odour filters or acoustics filters into the left and right of the appliance and slide them forwards.

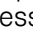


- Insert the other odour filters or acoustics filters into the left and right of the appliance and slide them forwards.



- Insert the grease filter.



- "Replace the odour filter." → Page 17
- Press and hold  until an audible signal sounds.
 - ✓ The *F* display stops lighting up. The saturation indicator for the odour filters is reset.

17.6 Cleaning the grease filters

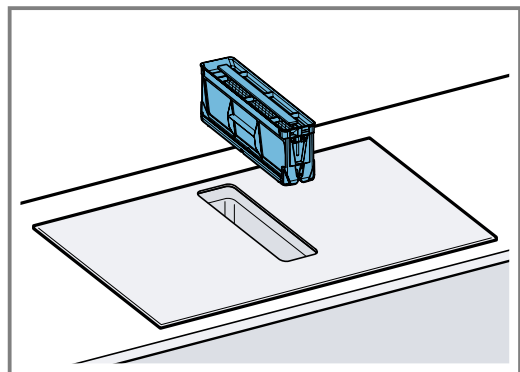
The grease filters filter the grease from the cooking vapour. To keep it in good working order, you must clean the grease filter regularly.

WARNING – Risk of fire!

Fatty deposits in the grease filters may catch fire.

- ▶ Never operate the appliance without a grease filter.
- ▶ Clean the grease filters regularly.
- ▶ Never work with naked flames close to the appliance (e.g. flambéing).
- ▶ Do not install the appliance near a solid fuel heating appliance (e.g. wood- or coal-burning) unless the heating appliance has a sealed, non-removable cover. There must be no flying sparks.

- Remove the grease filter.
 - Grease may accumulate in the bottom of the container. Hold the grease filter level to prevent grease from dripping out.



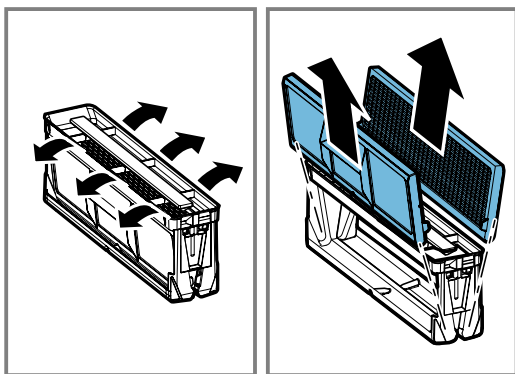
- Clean the grease filters.
 - → "Cleaning the grease filters manually", Page 19
 - → "Cleaning the grease filter in the dishwasher", Page 19
- If required, remove the odour filters or acoustics filters and clean the appliance from the inside. → "Changing the odour filter or acoustics filter", Page 17
- If any objects get into the appliance, remove these objects and ensure that the supply to the overflow container is not blocked.
- Wipe out the inside of the appliance with soapy water and a dish cloth.
- After cleaning, reinsert the dried metal grease filter.

Resetting the saturation indicator

Requirement: After the appliance is switched off, *F* lights up.

Cleaning the grease filters manually

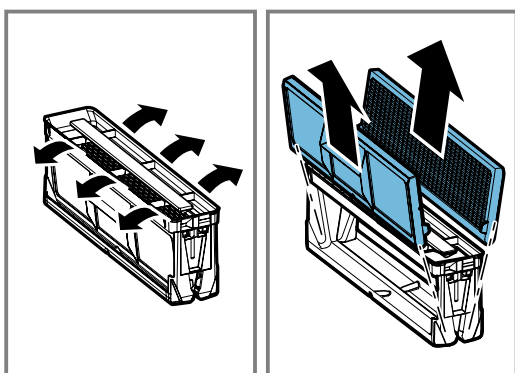
1. Dismantle the grease filter.



2. Soak the grease filter in hot soapy water.
3. Use a brush to clean the grease filter.
Do not use aggressive, acidic or alkaline cleaning products.
Use special grease solvent for stubborn dirt. You can purchase the grease solvent from the after-sales service, through our online shop or in a specialist shop.
4. Rinse the grease filters thoroughly.
5. Allow the grease filters to drain.

Cleaning the grease filter in the dishwasher

1. Dismantle the grease filter.



2. Place the grease filters loosely in the dishwasher and do not jam it in.

For optimum cleaning results, lay the grease filter on the filter side in the dishwasher.
Do not clean heavily soiled grease filters with utensils.

Do not use aggressive, acidic or alkaline cleaning products.

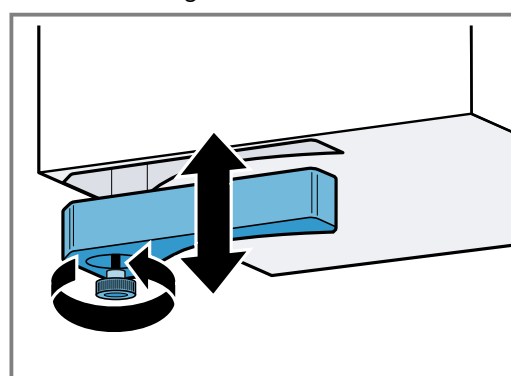
3. Start the dishwasher.
Select a temperature of no more than 70 °C.
4. Allow the grease filters to drain.

17.7 Cleaning the overflow container

The overflow container collects liquids or objects that come into the appliance from above.

Requirement: The appliance has cooled and the residual heat indicator has gone out.

1. Hold the overflow container with one hand and unscrew it with the other hand.
 - Hold the overflow container level to prevent liquid from leaking out.



2. Empty the overflow container and rinse it out.
3. If required, unscrew the screw and clean the overflow container without the screw in the dishwasher.
4. Clean the overflow container before screwing it back into place.
5. Ensure that the supply to the overflow container is not blocked.

Remove any objects that have entered the appliance once it has cooled down. "To do this, remove the grease filter." → Page 18

18 FAQs

18.1 Using the appliance

Question	Answer
Why can I not switch on the hob and why is the childproof lock symbol lit?	<ul style="list-style-type: none"> ■ The childproof lock is activated. You can find further information about this function under → "Childproof lock", Page 14.
Why are the illuminated displays flashing and why is a signal sounding?	<ul style="list-style-type: none"> ■ Clean the surface of the control panel of any liquids or food residue. Remove any objects that may cover the control panel. You can find further information about deactivating the signal tone under → "Basic settings", Page 15.
The ventilation system does not switch on even though the automatic start is activated.	<ul style="list-style-type: none"> ■ Manually activate the ventilation system or check the configuration of the automatic start. You can find additional information about this in the section entitled → "Basic settings", Page 15.

Question	Answer
The ventilation system continues to run even though the cooking zones have been switched off.	<ul style="list-style-type: none"> Manually switch off the ventilation system. You can find additional information about this setting in the section entitled → <i>"Basic operation", Page 10.</i>
The air intake is too weak.	<ul style="list-style-type: none"> Ensure that the grease filter is clean. To find out how to clean and replace the filter, refer to the section entitled → <i>"Cleaning and servicing", Page 17.</i>

18.2 Noises

Question	Answer
Why can I hear noises while I'm cooking?	<ul style="list-style-type: none"> Noises may be generated while using the hob depending on the condition of the base of the cookware. These noises are normal for induction technology. They do not indicate that there is a fault.
Possible noises	<ul style="list-style-type: none"> A deep humming noise similar to a transformer: Occurs when cooking at a high power level. This noise disappears or becomes quieter when you reduce the power level. A quiet whistling noise: This can be heard when the cookware is empty. This noise disappears when you add water or food to the cookware. Crackling: This noise occurs when the cookware is made from different multilayer materials, or if you use cookware of different sizes and different materials. The loudness of the noise can vary depending on the quantity of food being cooked or the cooking method. Loud whistling noises: These may arise if you are operating two cooking zones at the same time and at the maximum power level. These whistling noises disappear or become quieter when you reduce the power level. Fan noises: The hob is equipped with a fan that switches on automatically at high temperatures. The fan may also continue to run after you have switched the hob off if the temperature measured is still too high.

18.3 Cookware

Question	Answer
Which cookware is suitable for the induction hob?	<ul style="list-style-type: none"> You can find additional information on which items of cookware are suitable for the induction cooking under → <i>"Induction cooking", Page 7.</i>
Why is the cooking zone not heating up and why is the heat setting flashing?	<ul style="list-style-type: none"> The cooking zone on which the cookware has been placed is not switched on. Ensure that the cooking zone on which the cookware has been placed is switched on. The cookware is too small for the cooking zone that is switched on or it is not suitable for induction cooking. Use cookware that is suitable for induction cooking and place the cookware on the cooking zone whose size best corresponds to the cookware. You can find more information about this under → <i>"Induction cooking", Page 7.</i>
Why does the cookware heat up so slowly or why does it not heat up sufficiently, even though a high power level has been set?	<ul style="list-style-type: none"> The cookware is too small for the cooking zone that is switched on or it is not suitable for induction cooking. Use cookware that is suitable for induction cooking and place the cookware on the cooking zone whose size best corresponds to the cookware. You can find more information about this under → <i>"Induction cooking", Page 7.</i>

18.4 Cleaning

Question	Answer
How can I clean the hob?	<ul style="list-style-type: none"> You can achieve the best results by using special glass-ceramic cleaning products. Do not use harsh or abrasive cleaning products, dishwasher detergent (concentrated) or scouring pads. You can find more information about this under → "Cleaning and servicing", Page 17.
There is water in the cabinet underneath the hob.	<ul style="list-style-type: none"> Check whether the overflow container is full. You can find further information about cleaning and caring for the hob under → "Cleaning and servicing", Page 17.
How often do I need to clean the overflow container?	<ul style="list-style-type: none"> Clean the overflow container frequently. You can find further information about how to clean the overflow container under → "Cleaning and servicing", Page 17.
How often do I need to clean the grease filter?	<ul style="list-style-type: none"> Regularly clean the grease filter. To find out how to clean and replace the filter, refer to the section entitled → "Cleaning and servicing", Page 17.

19 Troubleshooting

You can rectify minor faults on your appliance yourself. Read the troubleshooting information before contacting after-sales service. This will avoid unnecessary costs.

WARNING – Risk of injury!

Improper repairs are dangerous.

- ▶ Repairs to the appliance should only be carried out by trained specialist staff.
- ▶ If the appliance is defective, call Customer Service.

WARNING – Risk of electric shock!

Incorrect repairs are dangerous.

- ▶ Repairs to the appliance should only be carried out by trained specialist staff.
- ▶ Only use genuine spare parts when repairing the appliance.
- ▶ If the power cord of this appliance is damaged, it must be replaced with a special connection cable, which is available from the manufacturer or his Customer Service.

19.1 Information on the display panel

Fault	Cause & Troubleshooting
No displays light up.	<p>The power supply has been disconnected.</p> <ul style="list-style-type: none"> ▶ Use other electrical appliances to check whether there has been a power failure. <p>The appliance has not been connected as shown in the circuit diagram.</p> <ul style="list-style-type: none"> ▶ Connect the appliance in accordance with the circuit diagram. <p>Electronics fault</p> <ul style="list-style-type: none"> ▶ If you are unable to rectify the fault, inform the technical after-sales service.
The displays flash.	<p>The control panel is wet or an object is covering it.</p> <ul style="list-style-type: none"> ▶ Dry the control panel or remove the object.
The "-" display flashes in the cooking zone displays.	<p>A fault has occurred in the electronics.</p> <ul style="list-style-type: none"> ▶ To acknowledge the fault, briefly cover the control panel with your hand.
<i>F</i>	<p>The odour filter is saturated or the saturation indicator lights up even though the filter has been replaced.</p> <ul style="list-style-type: none"> ▶ Change the filter and reset the filter saturation indicator. You can find additional information about this in the section entitled → "Cleaning and servicing", Page 17.
<i>F2</i>	<p>The electronics have overheated and have switched off the affected cooking zone.</p> <ul style="list-style-type: none"> ▶ Wait until the electronics have cooled down sufficiently. Then touch any symbol on the hob.

Fault	Cause & Troubleshooting
F4	The electronics have overheated and all of the cooking zones have been switched off. <ul style="list-style-type: none"> ▶ Wait until the electronics have cooled down sufficiently. Then touch any symbol on the hob.
F5 + power level and signal tone	There is hot cookware near the control panel. This may cause the electronics to overheat. <ul style="list-style-type: none"> ▶ Remove the cookware. The fault display goes out shortly afterwards. You can continue to cook.
F5 and signal tone	There is hot cookware near the control panel. To protect the electronics, the cooking zone has been switched off. <ul style="list-style-type: none"> ▶ Remove the cookware. Wait a few seconds. Touch any touch control. When the fault display goes out, you can continue cooking.
F1/F6	The cooking zone has overheated and has been switched off to protect the work surface. <ul style="list-style-type: none"> ▶ Wait until the electronics have cooled down sufficiently before switching the cooking zone back on.
F8	The cooking zone has been operating continuously for an extended period. <ul style="list-style-type: none"> ▶ The automatic safety switch-off function has been activated. See the section entitled → "Automatic safety switch-off function", Page 14.
E 9000/E90 10	The operating voltage is incorrect and outside of the normal operating range. <ul style="list-style-type: none"> ▶ Contact your energy supplier.
U400	The hob is not connected correctly. <ul style="list-style-type: none"> ▶ Disconnect the hob from the mains. Connect the hob in accordance with the circuit diagram.
d E	Demo mode is activated. <ul style="list-style-type: none"> ▶ Disconnect the hob from the mains. Wait for 30 seconds and connect the hob. Touch any sensor in the next three minutes. Demo mode is deactivated.

19.2 Warnings

Notes

- If *E* appears in the displays, press and hold the sensor for the respective cooking zone and read the fault code.

- If the fault code is not listed in the table, disconnect the hob from the power supply and wait 30 seconds before reconnecting it. If this display appears again, contact the technical after-sales service and specify the exact fault code.
- If a fault occurs, the appliance does not switch to standby mode.

20 Customer Service

If you have any queries on use, are unable to rectify faults on the appliance yourself or if your appliance needs to be repaired, contact Customer Service. You can solve many problems yourself by consulting the information on troubleshooting in these instructions or on our website. If this is not the case, contact our after-sales service.

We will always find an appropriate solution and try to avoid unnecessary visits being made by a Customer Service technician.

With any warranty claims, we will make sure that your appliance is repaired by trained after-sales technicians using genuine spare parts, including after the manufacturer's warranty has expired.

Function-relevant genuine spare parts according to the corresponding Ecodesign Order can be obtained from Customer Service for a period of at least 10 years from the date on which your appliance was placed on the market within the European Economic Area.

Note: Under the terms of the manufacturer's warranty the use of Customer Service is free of charge.

Detailed information on the warranty period and terms of warranty in your country is available from our after-sales service, your retailer or on our website.

If you contact Customer Service, you will require the product number (E-Nr.) and the production number (FD) of your appliance.

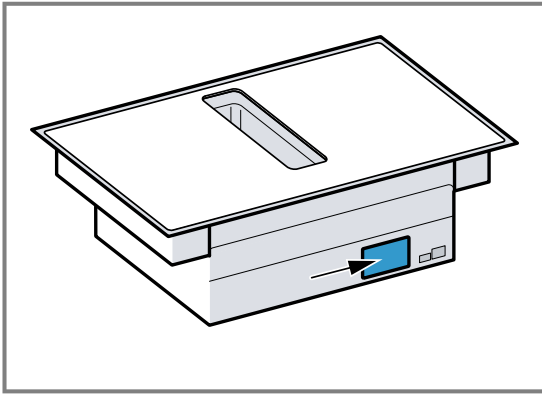
The contact details for Customer Service can be found in the enclosed Customer Service directory or on our website.

20.1 Product number (E-Nr.) and production number (FD)

You can find the product number (E-Nr.) and the production number (FD) on the appliance's rating plate. The rating plate can be found:

- On the appliance certificate.

- On the underside of the hob, towards the front.



Make a note of your appliance's details and the Customer Service telephone number to find them again quickly.

21 Test dishes

This overview is intended for test institutes to facilitate checking our appliances. The data in the table refers to our accessory cookware from Schulte Ufer (four-part induction pot set HZ390042 for HEZ390042 induction hobs) with the following dimensions:

- 16 cm diameter saucepan, 1.2 litres, for 14.5 cm diameter cooking zones

- 16 cm diameter cooking pot, 1.7 litres, for 14.5 cm diameter cooking zones
- 22 cm diameter cooking pot, 4.2 litres, for 18 cm diameter cooking zones
- 24 cm diameter frying pan, for 18 cm diameter cooking zones

Test dishes	Cookware	Preheat		Cook		
		Power level	Cooking time (min:sec)	Lid	Power level	Lid
Melting chocolate Chocolate coating, e.g. Dr. Oetker brand, dark chocolate 55% cocoa, 150 g	Saucepan, 16 cm diameter	-	-	-	1.	No
Heating and keeping lentil stew warm						
Lentil stew ¹ Initial temperature 20 °C						
Amount: 450 g	Pan, 16 cm diameter	9	1:30 without stirring	Yes	1.	Yes
Amount: 800 g	Pan, 22 cm diameter	9	2:30, without stirring	Yes	1.	Yes
Lentil stew from a tin E.g lentils with Erasco sausages. Initial temperature 20 °C						
Amount: 500 g	Pan, 16 cm diameter	9	Approx. 1:30, stir after approx. 1 minute	Yes	1.	Yes
Amount: 1 kg	Pan, 22 cm diameter	9	Approx. 2:30, stir after approx. 1 minute	Yes	1.	Yes
Preparing Béchamel sauce						
Temperature of the milk: 7 °C Ingredients: 40 g butter, 40 g flour, 0.5 l milk (3.5% fat content) and a pinch of salt						
1. Melt the butter, stir in the flour and salt, and heat up the mixture.	Saucepan, 16 cm diameter	2	Approx. 6:00	No	-	-

¹ Recipe made to DIN 44550

² Recipe made to DIN EN 60350-2

Test dishes	Cookware	Preheat		Cook		
		Power level	Cooking time (min:sec)	Lid	Power level	Lid
2. Add the milk to the roux and bring to the boil, stirring continuously.		7	Approx. 6:30	No	-	-
3. Once the Béchamel sauce comes to the boil, leave it on the cooking zone for a further two minutes, stirring continuously.		-	-	-	2	No
Cooking rice pudding						
Rice pudding, cooking with lid Temperature of the milk: 7 °C Heat the milk until it starts to rise up. Set the recommended power level and add rice, sugar and salt to the milk. The cooking time, including preheating, is approx. 45 minutes.						
Ingredients: 190 g short-grain rice, 90 g sugar, 750 ml milk (3.5% fat content) and 1 g salt	Pan, 16 cm diameter	8.	Approx. 5:30	No	3, stir after 10 minutes	Yes
Ingredients: 250 g short-grain rice, 120 g sugar, 1 l milk (3.5% fat content) and 1.5 g salt	Pan, 22 cm diameter	8.	Approx. 5:30	No	3, stir after 10 minutes	Yes
Rice pudding, cooking without lid Temperature of the milk: 7 °C Add the ingredients to the milk and heat the mixture up while stirring continuously. Once the milk has reached approx. 90 °C, select the recommended power level and leave it to simmer on a low heat for approx. 50 minutes.						
Ingredients: 190 g short-grain rice, 90 g sugar, 750 ml milk (3.5% fat content) and 1 g salt	Pan, 16 cm diameter	8.	Approx. 5:30	No	3	No
Ingredients: 250 g short-grain rice, 120 g sugar, 1 l milk (3.5% fat content) and 1.5 g salt	Pan, 22 cm diameter	8.	Approx. 5:30	No	2.	No
Cooking rice¹						
Water temperature: 20 °C						
Ingredients: 125 g long-grain rice, 300 g water and a pinch of salt	Pan, 16 cm diameter	9	Approx. 2:30	Yes	2	Yes
Ingredients: 250 g long-grain rice, 600 g water and a pinch of salt	Pan, 22 cm diameter	9	Approx. 2:30	Yes	2	Yes
Roasting a pork loin						
Initial temperature of the loin: 7 °C						
Amount: 3 pork loins (total weight approx. 300 g, 1 cm thick) and 15 g sunflower oil	Frying pan, 24 cm diameter	9	Approx. 1:30	No	7	No
Preparing pancakes²						
Amount: 55 ml batter for each pancake	Frying pan, 24 cm diameter	9	Approx. 1:30	No	7	No
Deep-fat frying frozen chips						
Amount: 2 l sunflower oil, per portion: 200 g frozen chips, e.g. McCain 123 Original fries	Pan, 22 cm diameter	9	Until the oil reaches a temperature of 180 °C	No	9	No

¹ Recipe made to DIN 44550² Recipe made to DIN EN 60350-2



A series of horizontal lines for writing, starting from the top right of the pencil icon and extending across the width of the page. The lines are evenly spaced and cover most of the page area.



A series of horizontal lines spanning the width of the page, providing a template for writing or drawing.



A series of horizontal lines spanning the width of the page, creating a ruled writing area.



Thank you for buying a Bosch Home Appliance!

Register your new device on MyBosch now and profit directly from:

- **Expert tips & tricks for your appliance**
- **Warranty extension options**
- **Discounts for accessories & spare-parts**
- **Digital manual and all appliance data at hand**
- **Easy access to Bosch Home Appliances Service**

Free and easy registration – also on mobile phones:

www.bosch-home.com/welcome

BOSCH
HOME APPLIANCES
SERVICE

Looking for help? You'll find it here.

Expert advice for your Bosch home appliances, help with problems or a repair from Bosch experts.

Find out everything about the many ways Bosch can support you:

www.bosch-home.com/service

Contact data of all countries are listed in the attached service directory.

Robert Bosch Hausgeräte GmbH

Carl-Wery-Straße 34

81739 München

GERMANY

www.bosch-home.com



9001576899 (000909)

en