

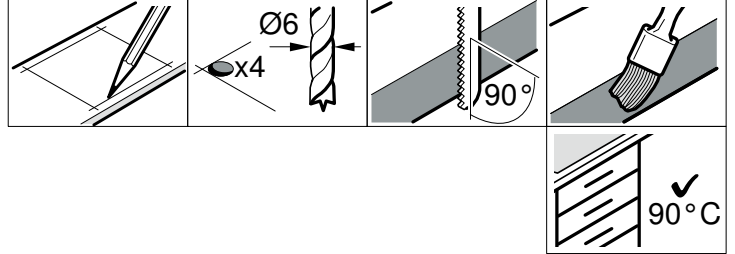
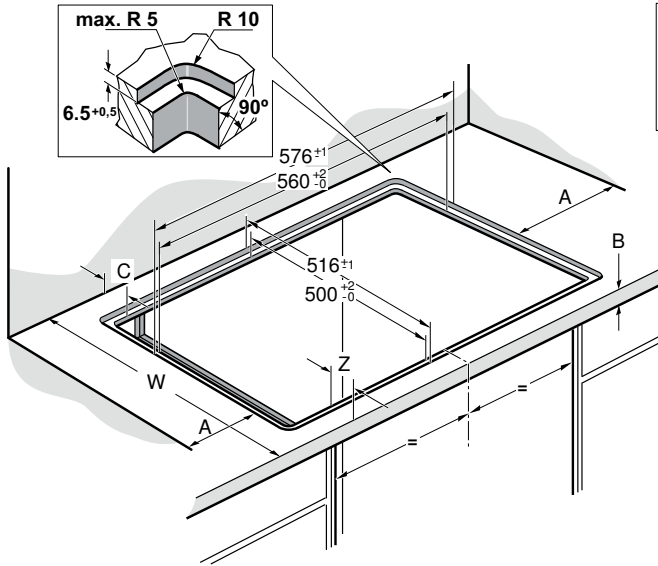


en Installation instructions



**i** Exclusive for India

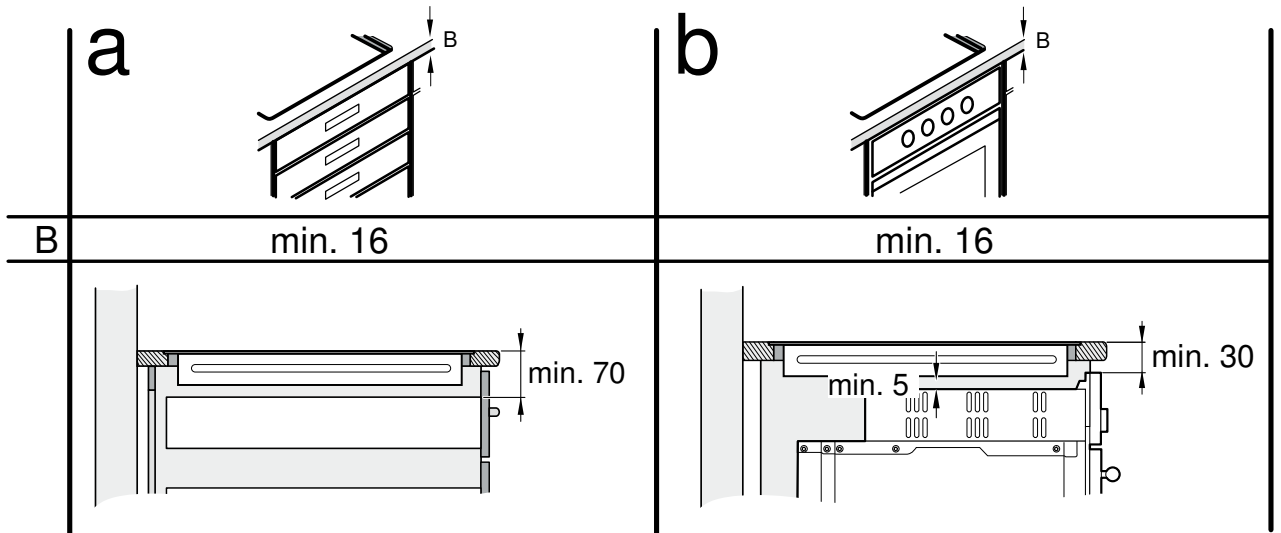
1



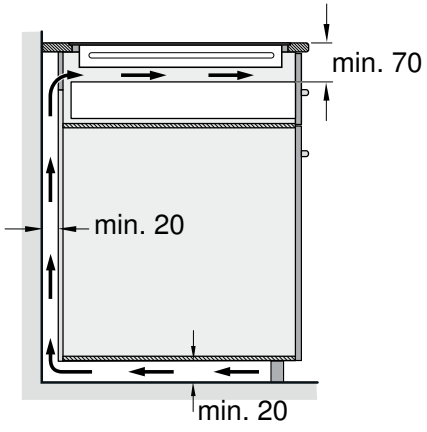
W	C	Z
585 - 600	50	min. 35
> 600	min. 50	min. 50

A = min. 40

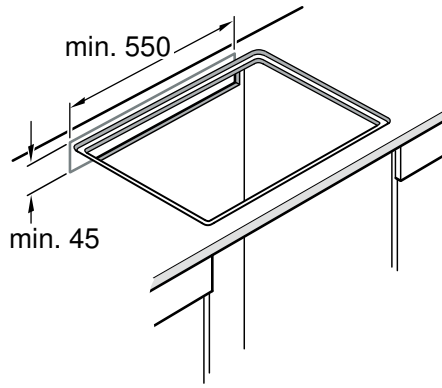
2



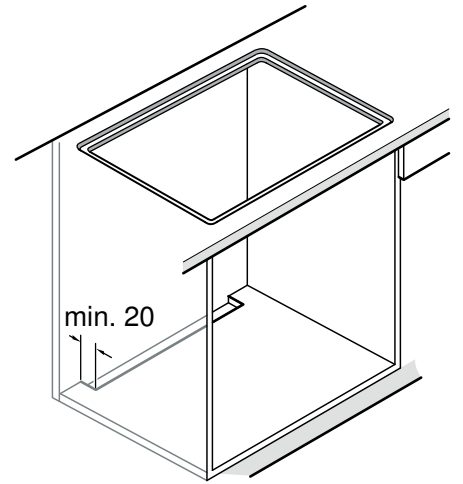
# 3a



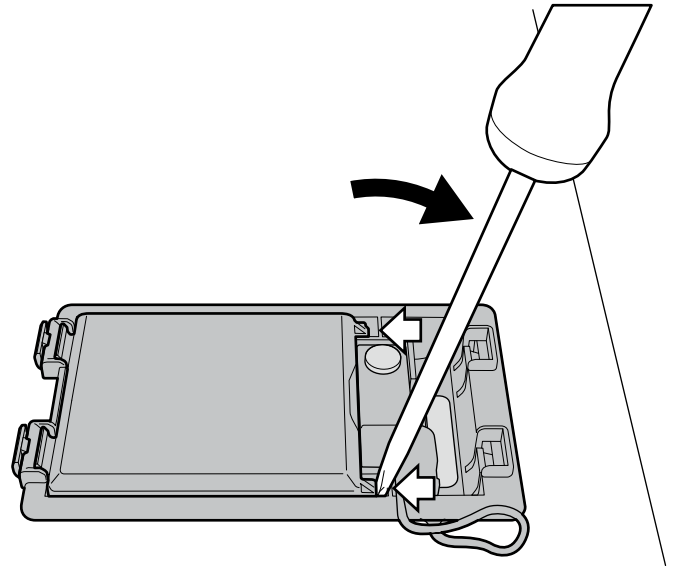
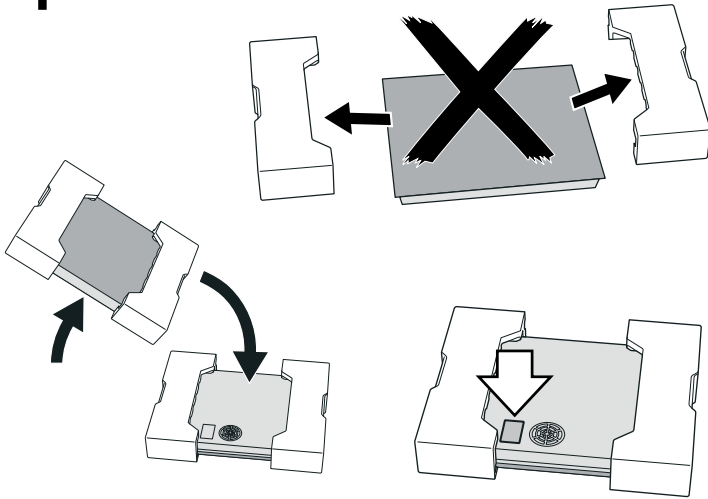
# 3b



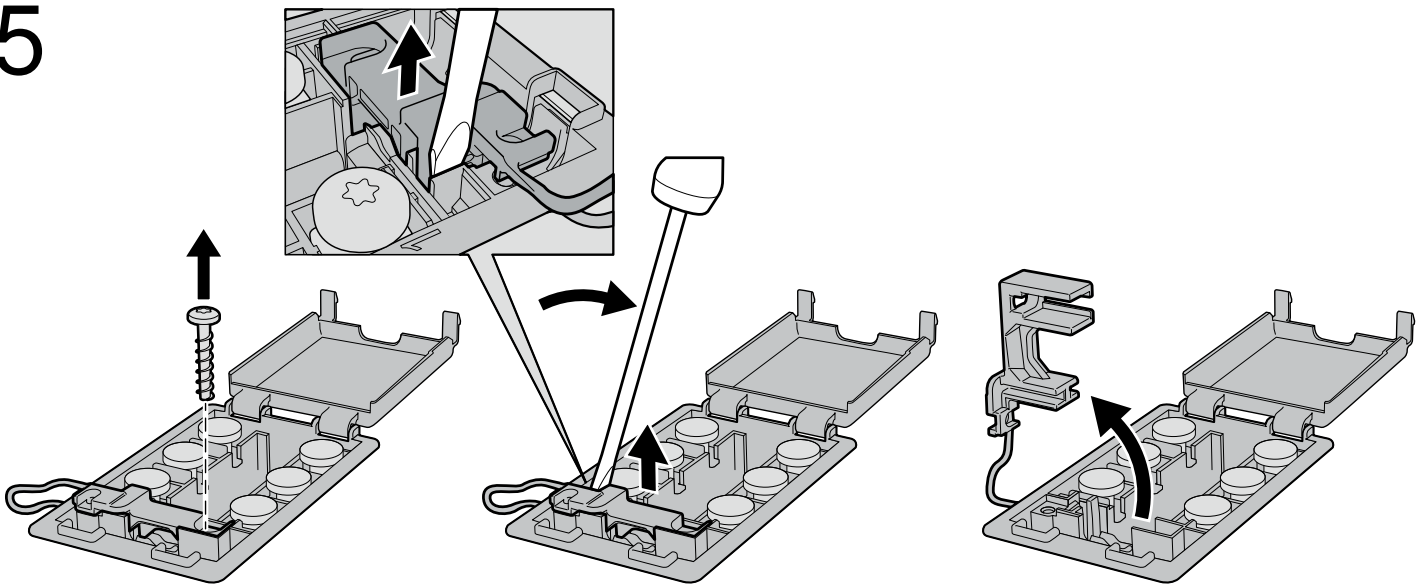
# 3c



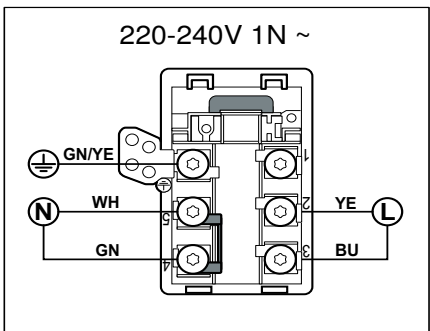
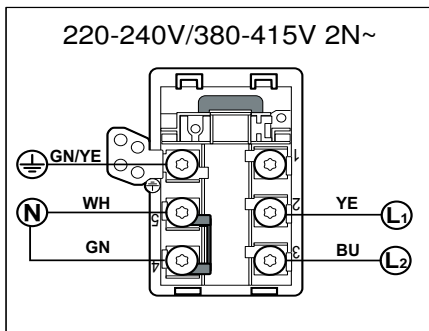
# 4



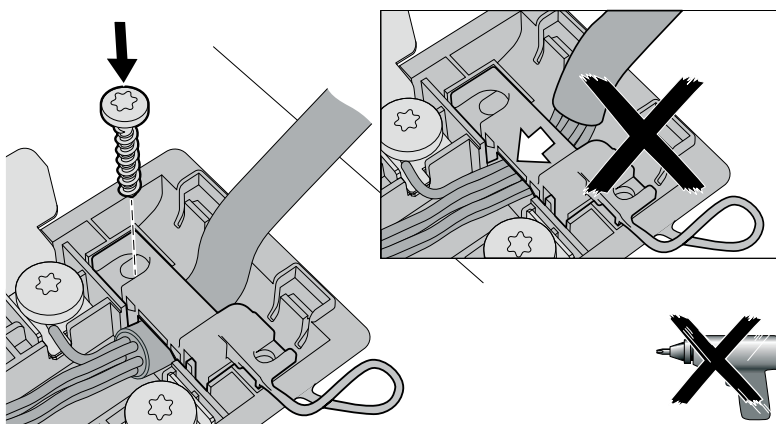
# 5



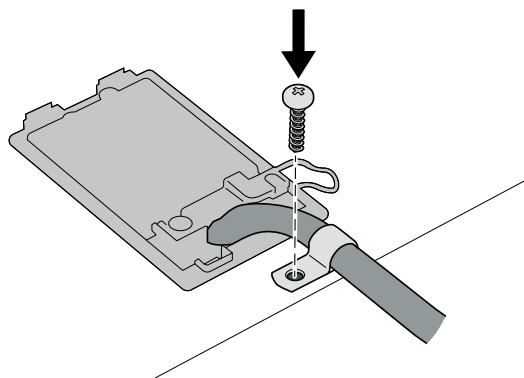
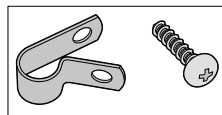
6



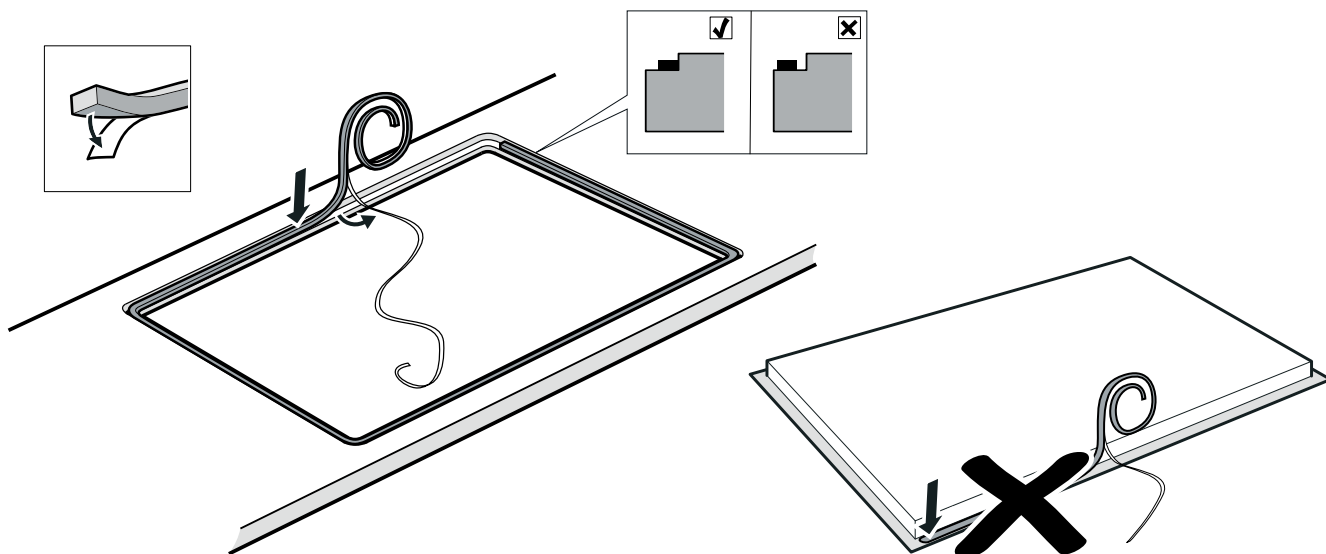
7a



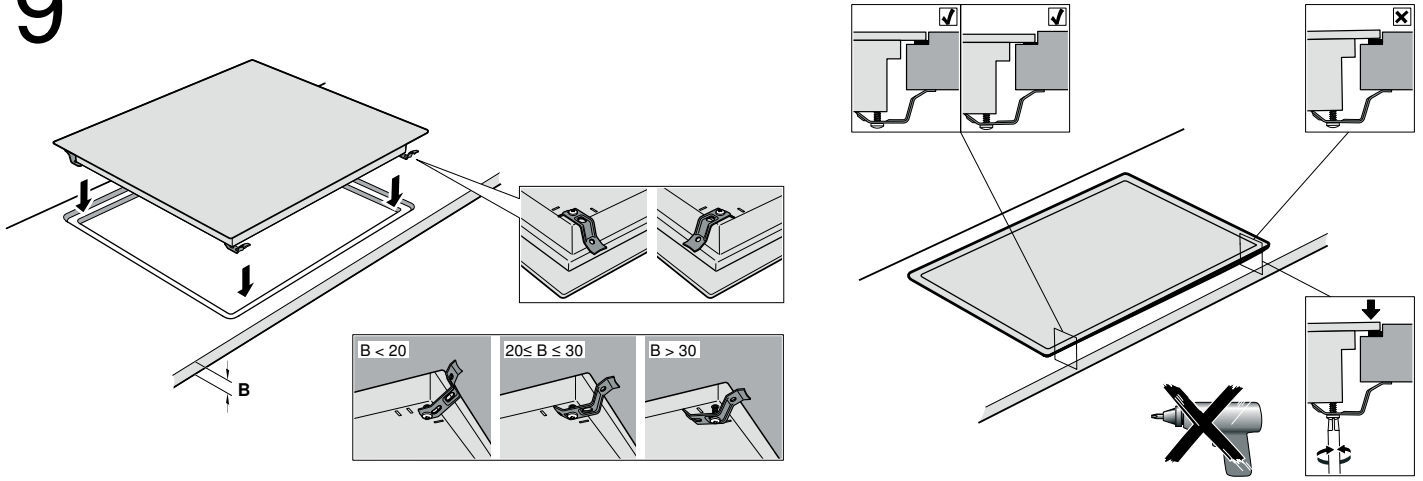
7b



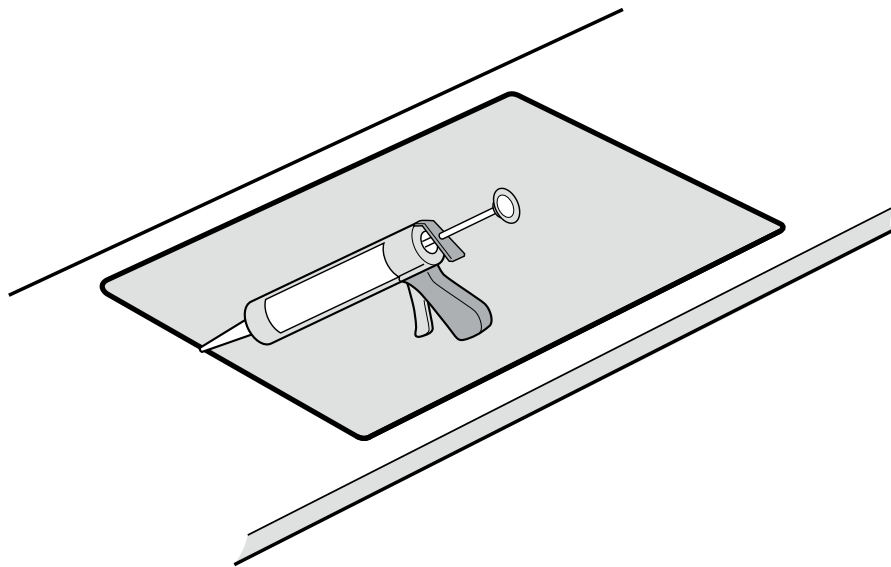
8



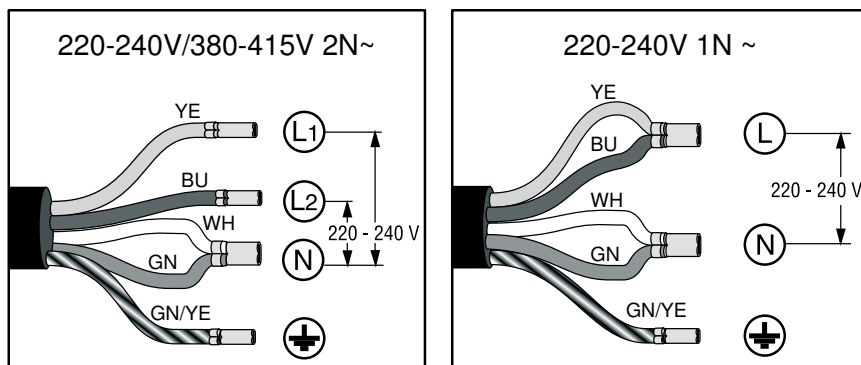
# 9



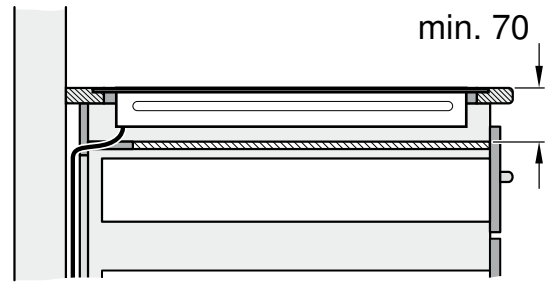
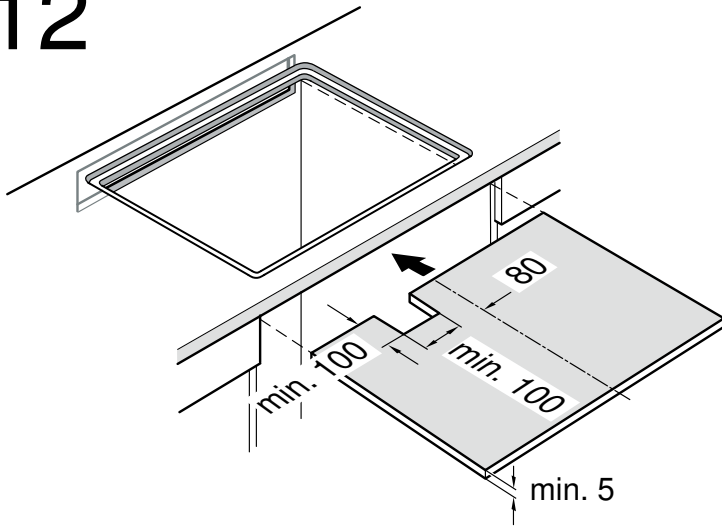
# 10



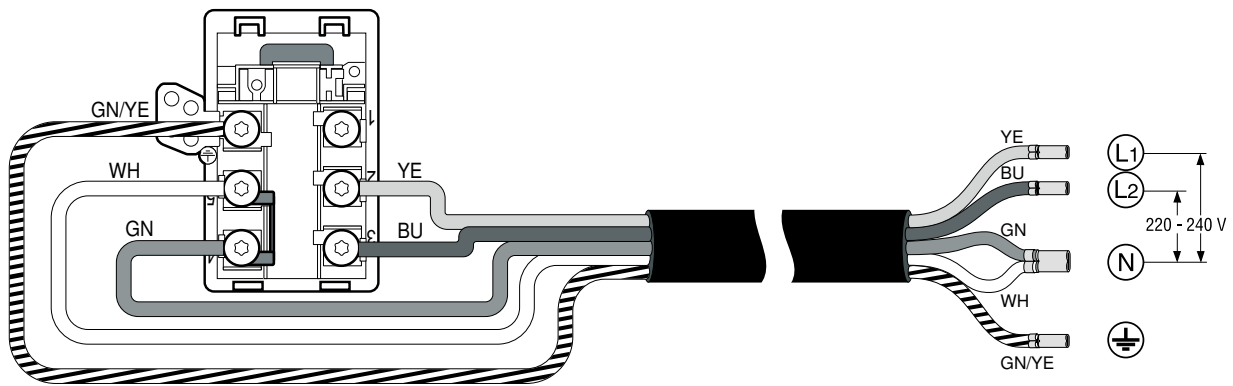
# 11



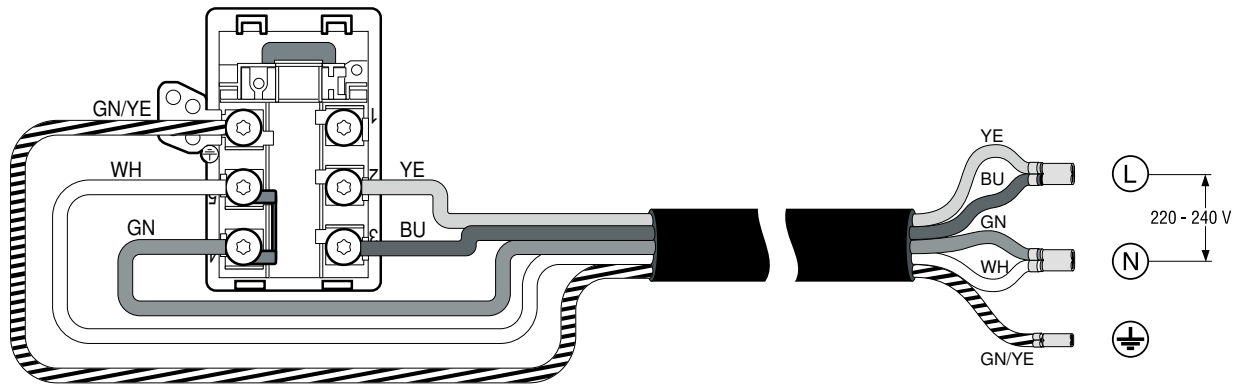
# 12



220-240V/380-415V 2N~



220-240V 1N~



## Important notes

**Safety:** Safety in use is only guaranteed if the technical installation of the hob has been carried out correctly and in accordance with the assembly instructions. The installation technician shall be liable for any damage caused as a result of unsuitable installation. Once the appliance is installed, make sure that the user cannot access the electrical components.

This appliance is only permitted for use at heights up to 4000 metres.

### ⚠ Wearers of electronic implants!

The appliance may contain permanent magnets which may affect electronic implants, e.g. heart pacemakers or insulin pumps. Therefore, during installation, wearers of electronic implants must maintain a minimum distance of 10 cm from the appliance.

**Electric connection:** Only by an authorised specialist technician. The guidelines set out by the local electricity provider must be observed.

The appliance must be connected to a fixed installation and appropriate isolating switches must be set up in accordance with the installation instructions.

**Type of connection:** The appliance falls under protection class I and can only be used in combination with a grounding conductor connection.

The manufacturer accepts no responsibility for any malfunction or damage caused by incorrect electrical installations.

**Power cable: This may already be connected to the connection box on the hob or is supplied with the appliance.** It must only be installed by an authorised expert or by a qualified member of the after-sales service team. The required connection data can be found on the type plate and in the connection diagram. Use only the cable that is supplied with the appliance or is provided by technical after-sales service.

**Installation below the worktop:** The induction hob can only be installed above a set of drawers or a fan-ventilated oven. Refrigerators, dishwashers, washing machines or ovens without a ventilation system cannot be installed below the hob.

**Extraction chimney:** The clearance between the extraction chimney and the hob must at least match the clearance specified for the extraction chimney in the installation instructions.

**Hob:** flat, horizontal, stable. Follow the hob manufacturer's instructions.

- The worktop into which you install the hob should be able to withstand loads of approx. 60 kg. If necessary, strengthen the worktop with temperature and water-resistant material.
- Only check the evenness of the hob after it has been installed.

The appliance can be installed in the following heat- and water-resistant work surfaces:

- Work surfaces made from marble, natural stone
- Synthetic work surfaces
- Solid wood work surfaces: Only in agreement with the manufacturer of the work surface (sealed cutting edges)
- Installing other types of work surfaces: Only in agreement with the manufacturer of the worktop.

### Notes

- To level the appliance, do not use connecting pieces at individual points.
- Adjustments to the work surface must be carried out by a specialist service provider in accordance with the installation diagram. The cutting edge must be clean and precise because the edge is visible on the surface. Clean the cutting edges with a suitable cleaning agent and degrease them.

**Warranty:** an unsuitable installation, connection or assembly will invalidate the product warranty.

**Note:** Any change to the appliance's interior, including changing the power cable, must only be performed by specially trained members of the Technical Assistance Service.

## Preparing the cupboard, figure 1/2/3

**Built-in kitchen units:** Minimum temperature resistance of 90°C.

**Gap:** Remove any shavings after performing cutting work.

**Cut surfaces:** Seal with heat resistant material.

### Assembly over drawer, figure 2a

Worktop: Must have a minimum thickness of 16 mm.

The distance between the top of the hob and the top of the drawer must be 70 mm.

**Note:** Use a wooden intermediate bottom if metal items in the drawer reach high temperatures due to the hot air circulates when the hob is ventilated, or in case that small pointed metal objects such as skewers are used to be stored in that drawer (**figure 12**).

There is a fan on the underside of the hob. If no intermediate bottom is fitted, small or pointed objects, paper and kitchen cloths must not be stored in the drawer. Storing these items in the drawer may hinder cooling or damage the fan by being sucked up into it. There must be a clearance of at least 2 cm between the contents of the drawer and the fan entry point.

### Assembly over oven, figure 2b

Worktop: Must have a minimum thickness of 16 mm.

The clearance between the surface of the worktop and the top of the front of the oven must be 30 mm.

**Note:** If the distance between the hob and oven must be increased, refer to the installation instructions for the oven.

Ventilation: The distance between the oven and the hob must be at least 5 mm.

**Note:** A wooden separation board must be used if the hob is installed above an oven made by a different manufacturer (**fig. 12**).

### Ventilation, figure 3

To guarantee that the appliance works correctly, the hob must be sufficiently ventilated.

Since the ventilation in the lower section of the appliance requires a sufficient supply of fresh air, the cupboards must be designed accordingly. The following is required for this:

- A minimum clearance between the rear of the cupboard and the kitchen wall, and between the surface of the worktop and the upper area of the drawer (**figure 3a**).
- An opening at the top to the rear of the cupboard (**Figure 3b**).
- If the minimum clearance of 20 mm is not provided at the rear of the cupboard, you must create an opening on the underside (**figure 3c**).

### Notes

- If the appliance is installed in an island unit or in another location that is not described here, appropriate ventilation of the hob must be guaranteed.
- Do not hermetically seal the lower base.

## Installing the appliance, figures 4/5/6/7/8/9/10/11

**Note:** Wear protective gloves to fit the hob. The non-visible surfaces may have sharp edges.

**On appliances that do not have a pre-installed cable, insert the mains cable into the socket.**

1. Turn the hob over and put it down on the base of the packaging, a cloth or another surface in order to prevent scratches.
2. Use a screwdriver to lift up the socket's cover (**figure 4**).
3. Undo the mounting screw and use a screwdriver to lift the hose clamp (**figure 5**).
4. Only connect as shown in the diagram on the socket (**figure 6**):  
WH: White  
GN: Green  
YE: Yellow  
BU: Blue  
GN/YE: Green and yellow

**Note:** Ensure that the screws are screwed in tightly on the socket after the cables have been connected.

5. Use the hose clamp to secure the mains cable and tighten the securing screw (**figure 7a**).
6. Close the cover on the socket.

**Note:** Arrange the cables in the central area of the mains socket in order to facilitate the fastening.

7. If the mains cable gets in the way of the drawer, use the enclosed cable ties to secure the cable to the underside of the hob (**figure 7b**).

**Note:** If a longer power cord is required, please contact after-sales service. Connecting cables up to 2.20 m long are available.

### Putting the hob in place, figures 8/9/10

1. Attach adhesive tape to the edge of the worktop (**figure 8**).
2. Push the appliance evenly into the recess.
  - Do not trap the mains cable and do not route it over sharp edges. If the oven is a built-under type, route the cable on the rear corners of the oven to the socket. The line must be installed in such a way that it does not come into contact with any hot sections of the hob or the oven.
  - For tiled work surfaces: Seal the tile joints with silicone rubber.
3. Ensure that the hob is at the same height as the worktop. If the hob is not at the same height, if required, install and carefully tighten the supplied anchors (**figure 9**).

**Note:** Do not use an electric screwdriver.

### 4. Before sealing the seals (**figure 10**), carry out a suitable function check.

Seal all around the gap using suitable, heat-resistant silicone (e.g. Novasil® S70, Ottoseal® S70). Use the smoothing product that is recommended by the manufacturer to smooth the seal. Follow the instructions for the silicone product. Only operate the appliance once the silicone has dried completely (at least 24 hours depending on the ambient temperature).

Suitable silicone can be obtained from our after-sales service.

#### **Caution!**

Using unsuitable silicone may result in permanent discolouration of natural marble work surfaces.

### Connecting the appliance, figure 11

- Voltage: See the rating plate.
- Only connect as shown in the circuit diagram:
  - WH: White
  - GN: Green
  - YE: Yellow
  - BU: Blue
  - GN/YE: Green and yellow
- Depending on the type of connection, the arrangement of the clamps supplied by the factory may need to be changed. For this, the clamps may have to be shortened and the insulation may have to be removed in order to insert a clamp that connects the two cables.

**Note:** Check that the appliance is ready for operation: If **U400**, **E05 13** or **E** appears on the appliance's display, the appliance is not connected correctly. Disconnect it from the power supply and check the power cord connection.

### Uninstalling the appliance

Disconnect the appliance from the mains.

Remove the silicone seal from the edge of the hob with a suitable tool.

Remove the anchoring devices.

Push the hob upwards from below to remove it.

#### **Caution!**

Damage to the appliance! Do not try to remove the appliance by pulling it from above.