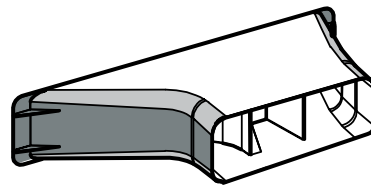
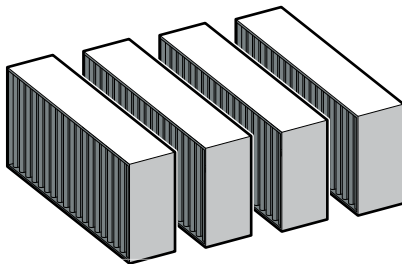
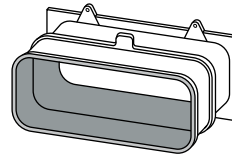
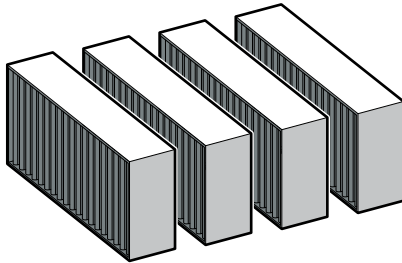
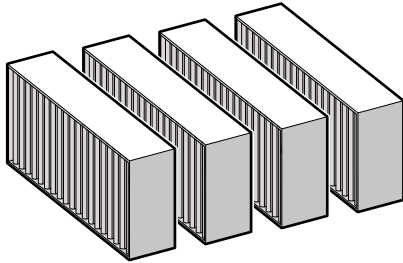
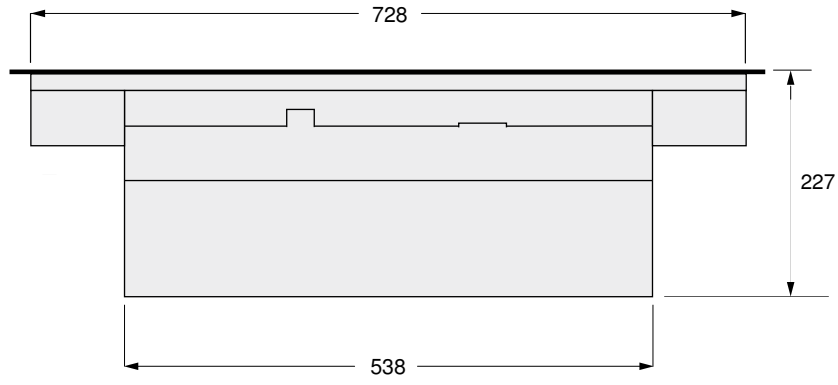


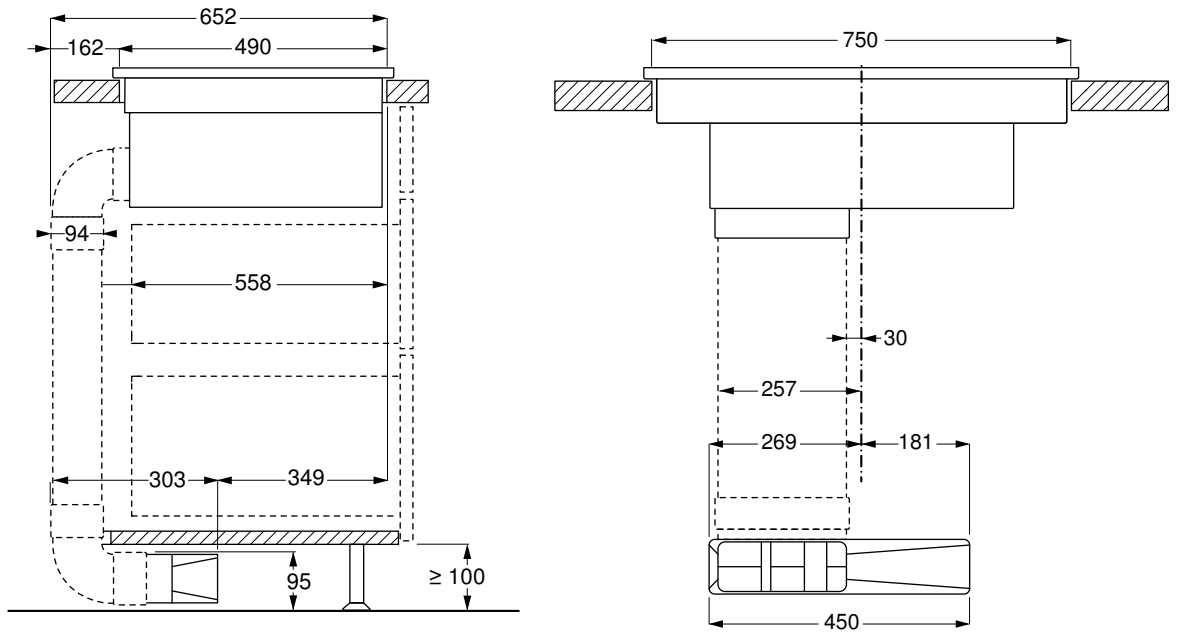
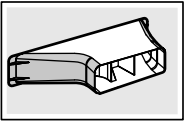
i Exclusive for India



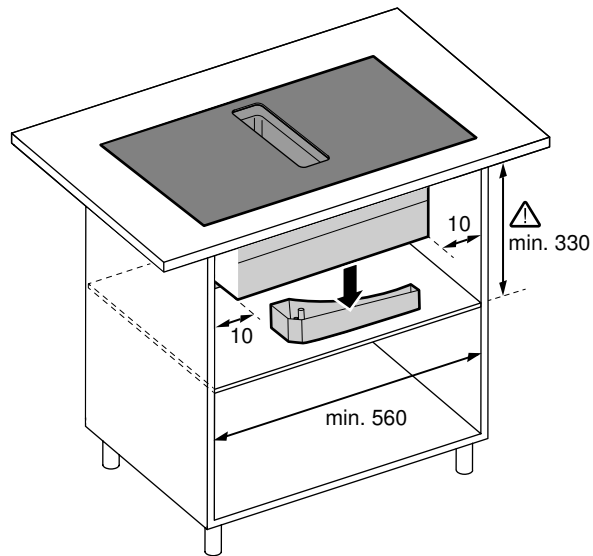
A



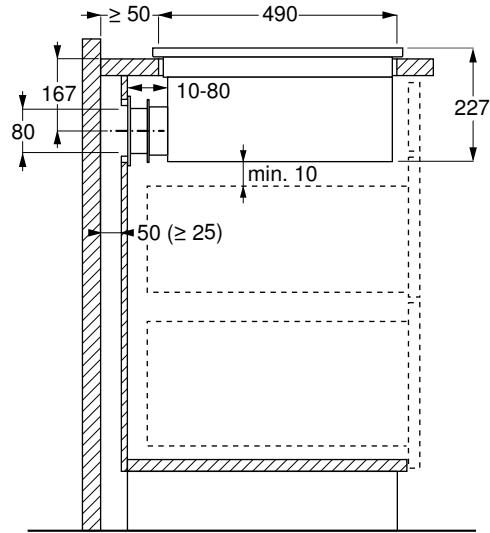
B



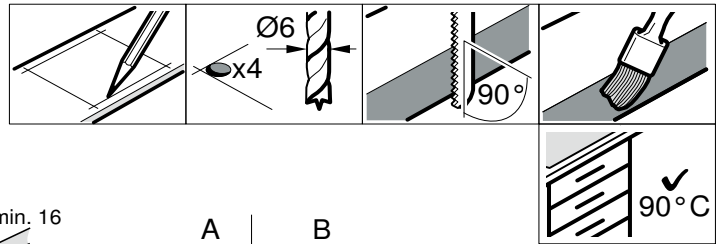
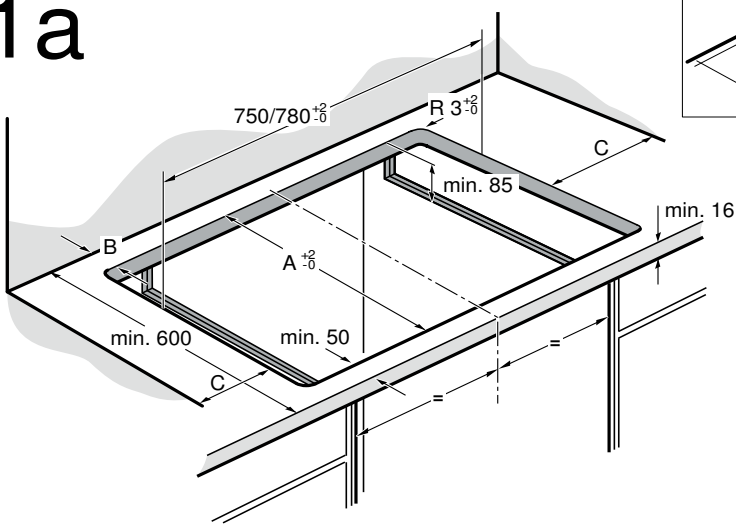
C



D

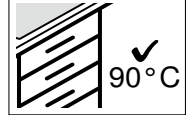


1a

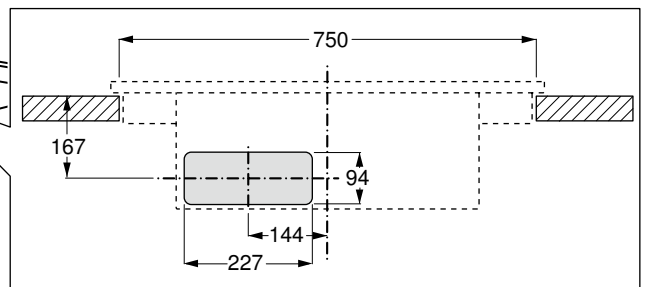
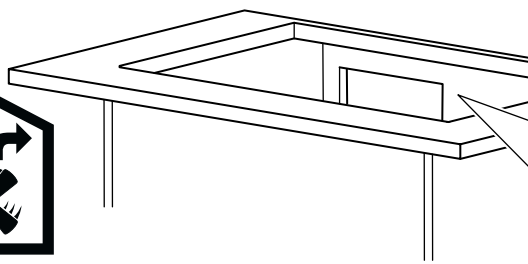
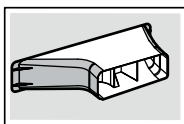


A	B
490	min. 60
500	min. 50

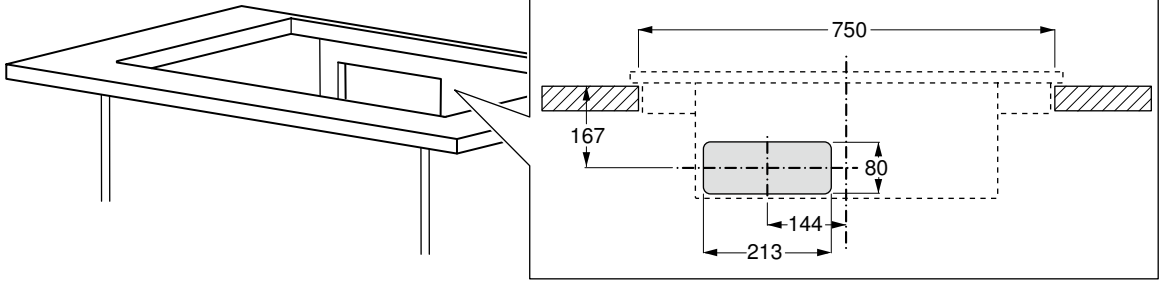
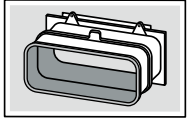
C = min. 40



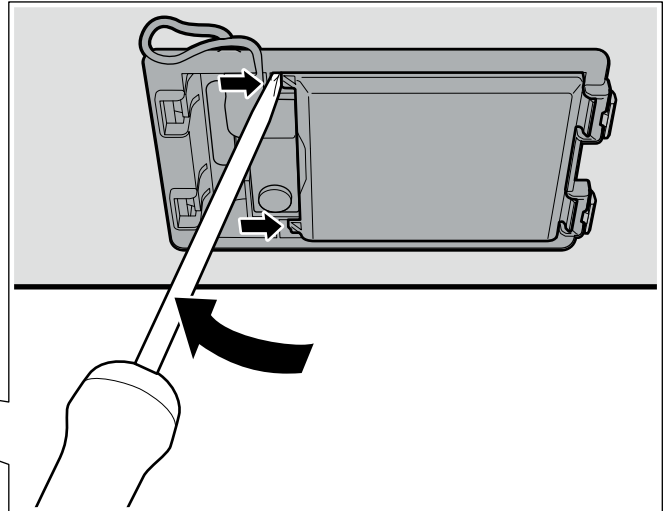
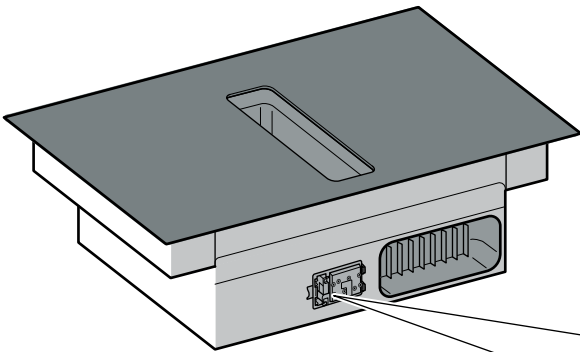
1b



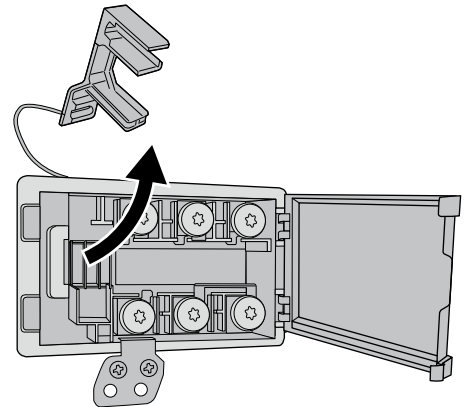
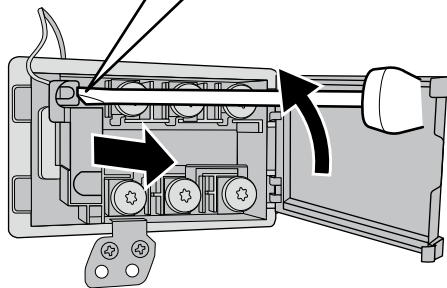
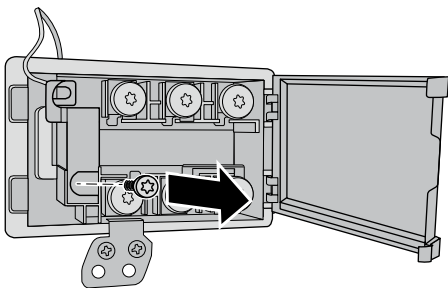
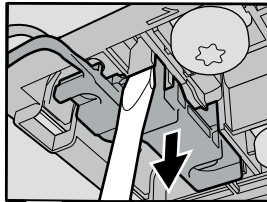
1c 



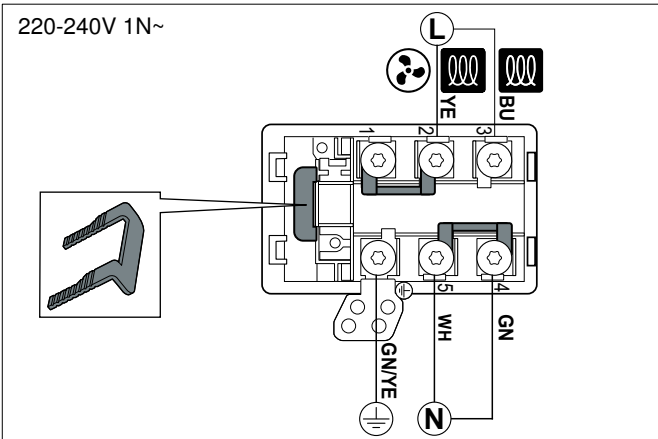
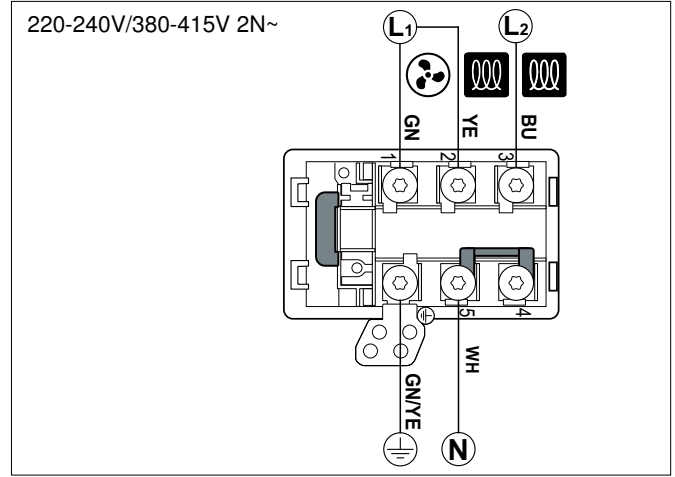
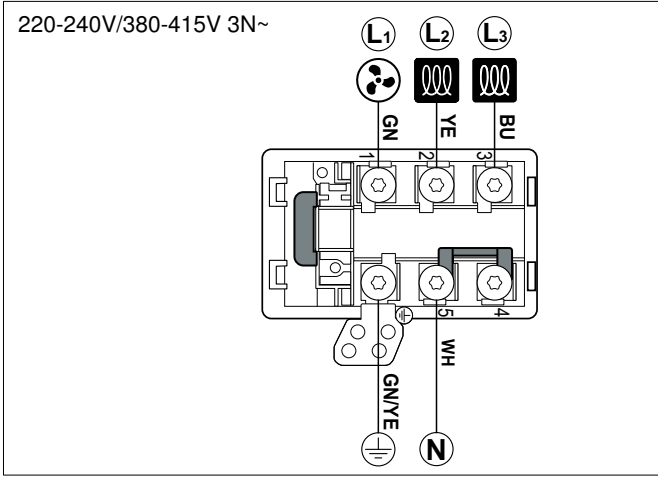
2



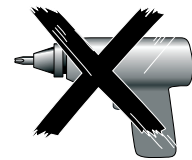
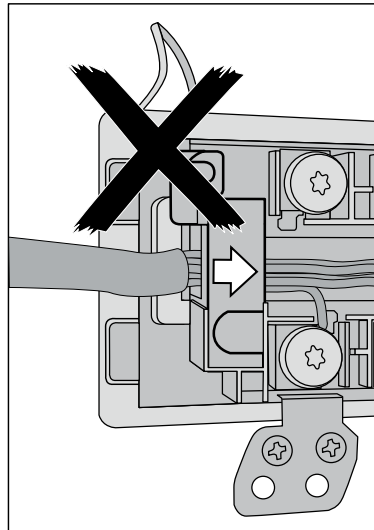
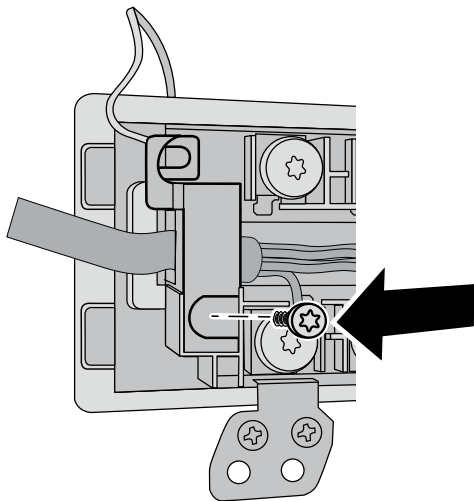
3



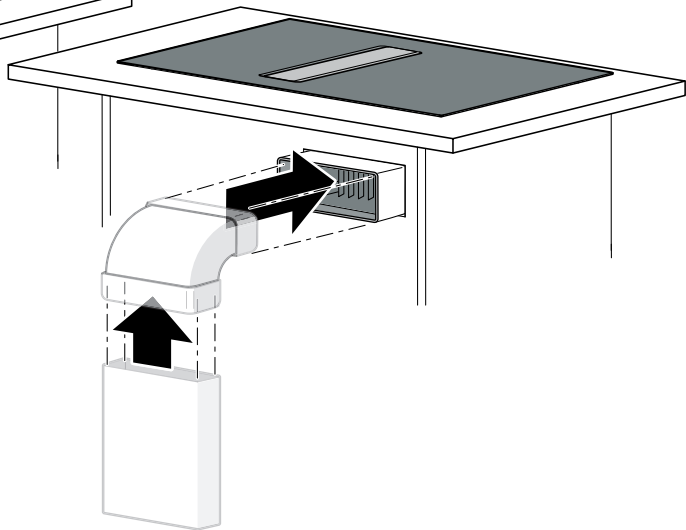
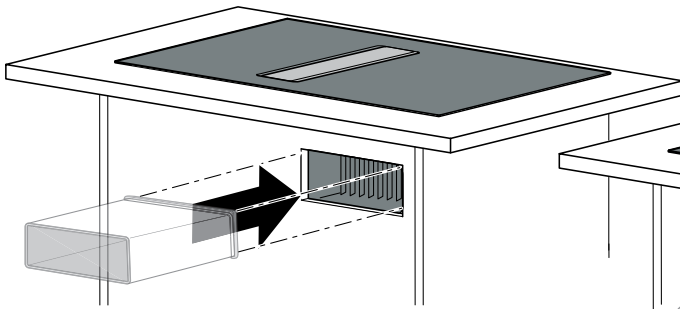
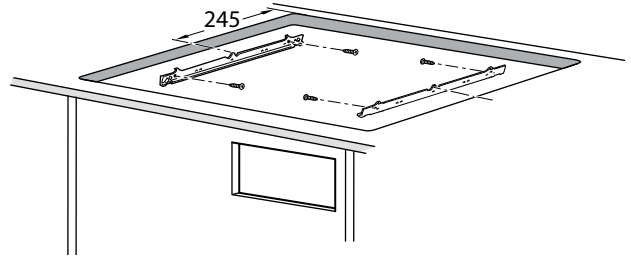
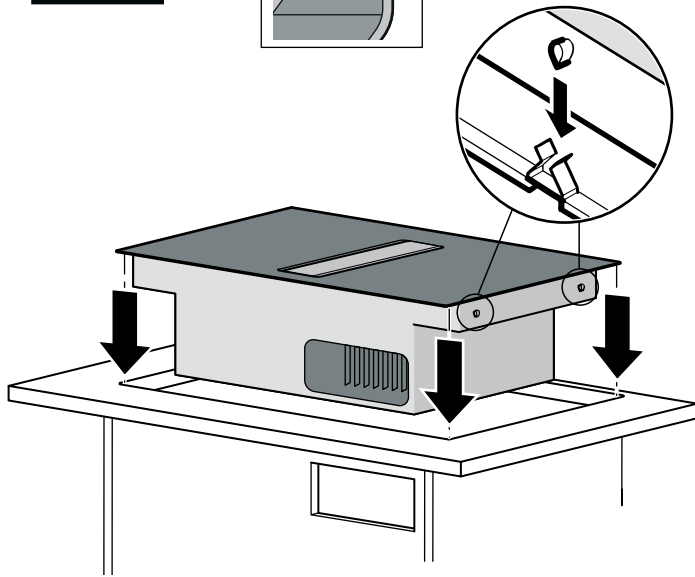
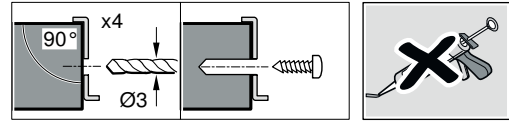
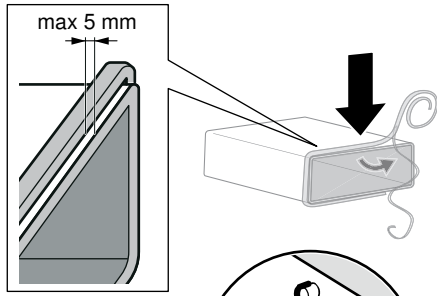
4



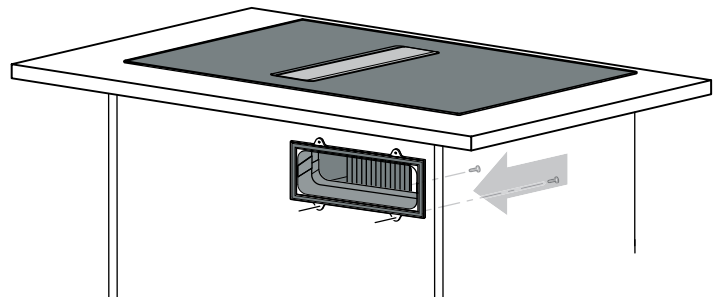
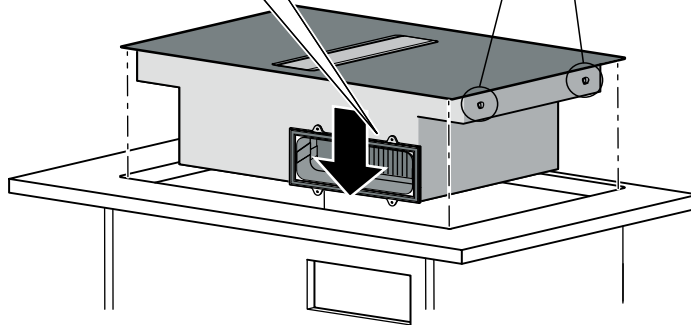
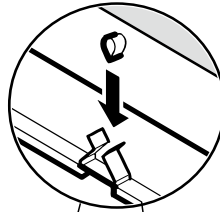
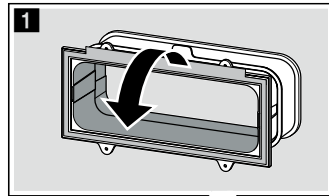
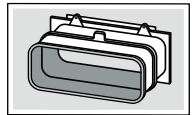
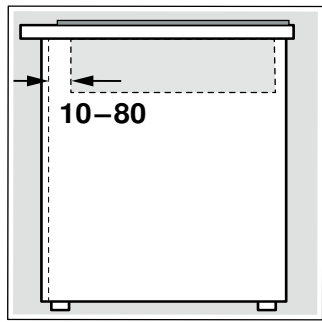
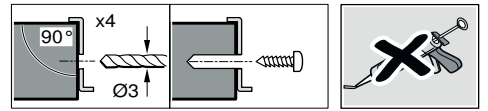
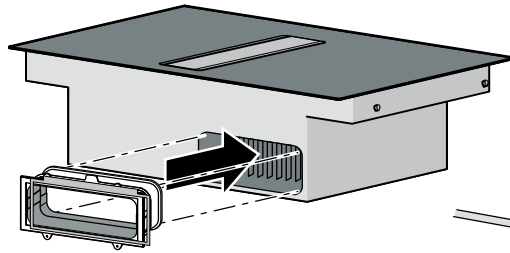
5



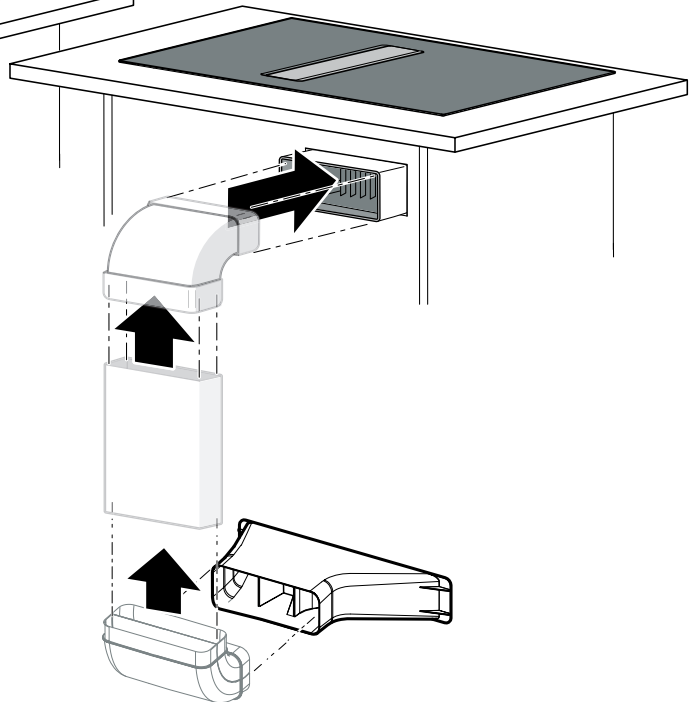
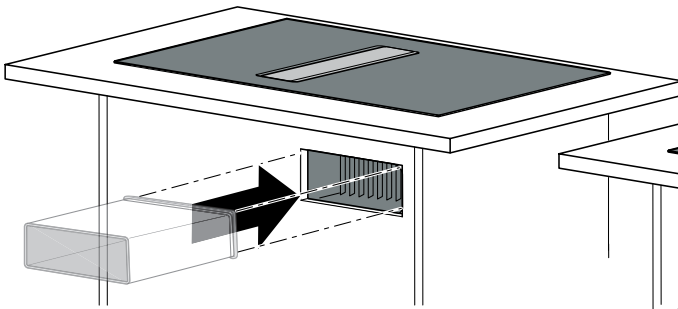
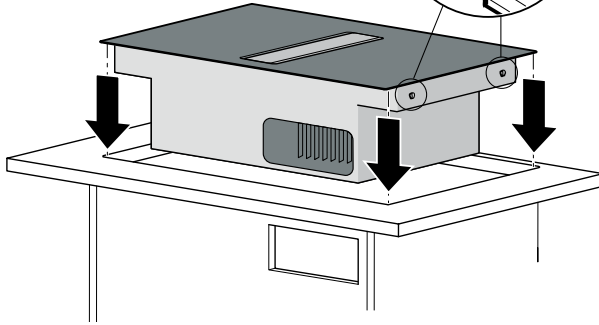
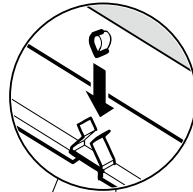
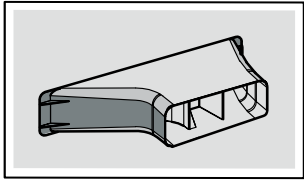
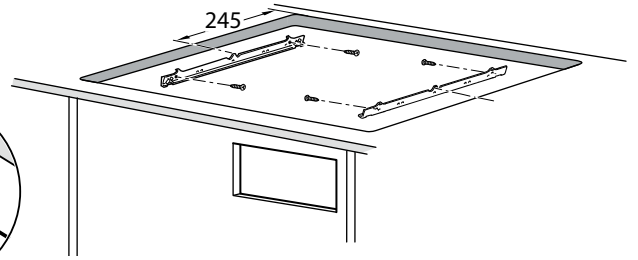
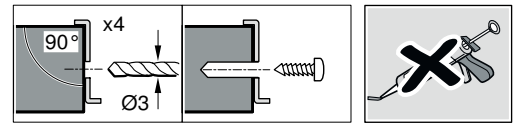
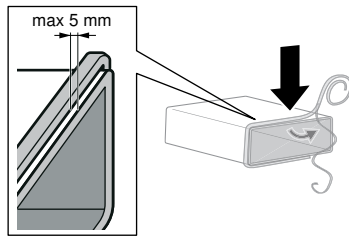
6a



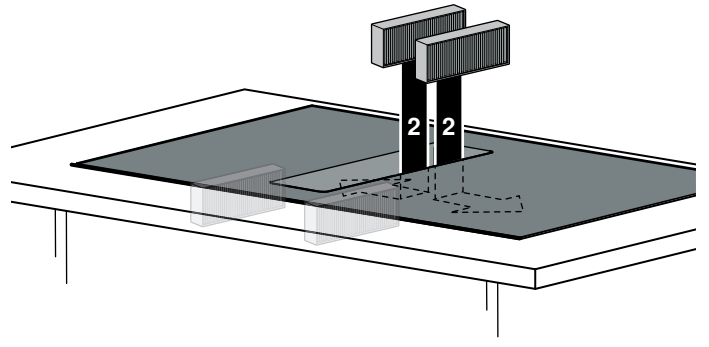
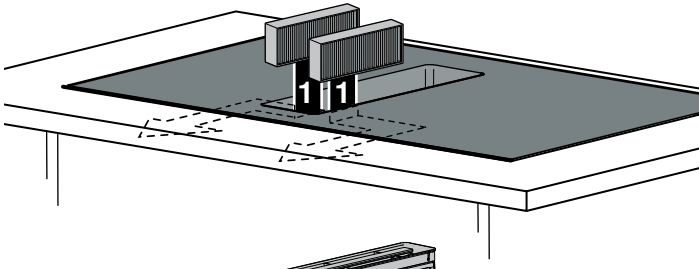
6b



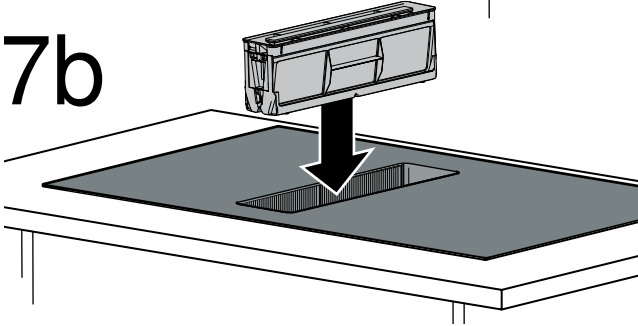
6c



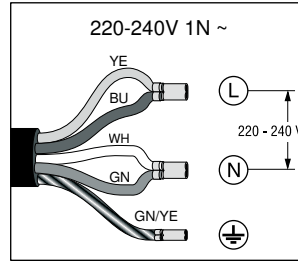
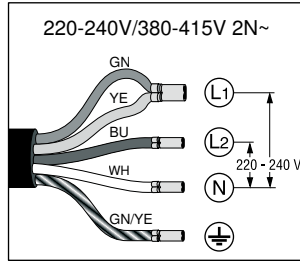
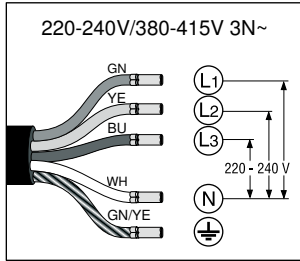
7a



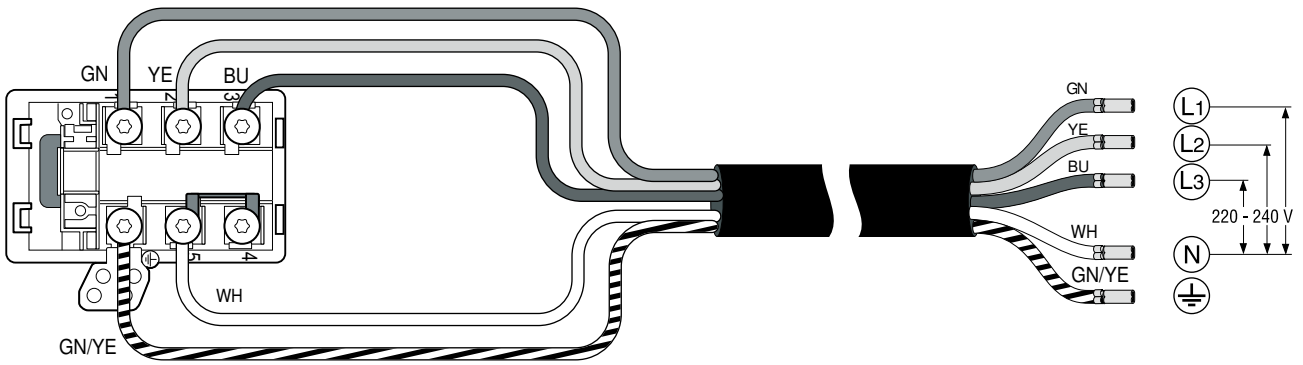
7b



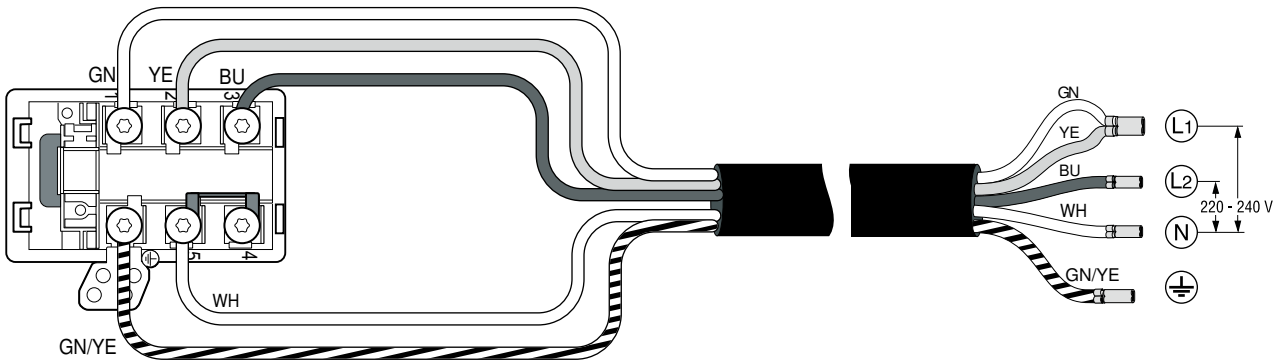
8



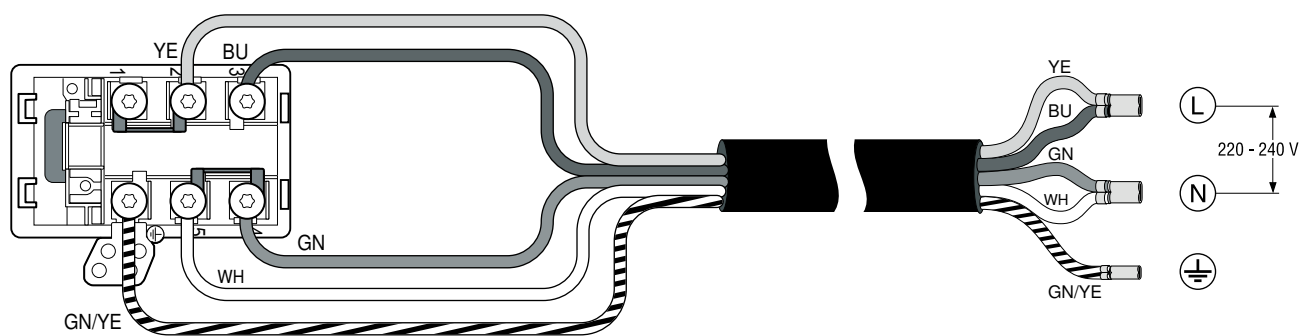
220-240V/380-415V 3N~



220-240V/380-415V 2N~



220-240V 1N~



	571652
	571648
	571653
	571649

	571650
	571651
	571829
	571654

⚠ Important safety information

Read these instructions carefully. Only then will you be able to operate your appliance safely and correctly. Retain the instruction manual and installation instructions for future use or for subsequent owners.

The appliance can only be used safely if it is correctly installed according to the safety instructions. The installer is responsible for ensuring that the appliance works perfectly at its installation location.

Wearers of electronic implants!

The appliance may contain permanent magnets which may affect electronic implants, e.g. heart pacemakers or insulin pumps. Therefore, during installation, wearers of electronic implants must maintain a minimum distance of 10 cm from the appliance.

The manufacturer shall assume no liability for malfunctions or damage resulting from incorrect electrical wiring.

Power cable: This may already be connected to the connection box on the hob or is supplied with the appliance. It must only be installed by an authorised expert or by a qualified member of the after-sales service team. The required connection data can be found on the type plate and in the connection diagram. Use only the cable that is supplied with the appliance or is provided by technical after-sales service.

Before carrying out any type of work, turn off the electricity.

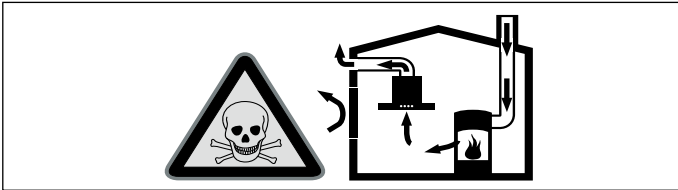
For the installation, observe the currently valid building regulations and the regulations of the local electricity and gas suppliers.

When conveying the exhaust air, official and legal regulations (e.g. state building regulations) must be followed.

Danger of death!

Risk of poisoning from flue gases that are drawn back in.

Always ensure adequate fresh air in the room if the appliance is being operated in exhaust air mode at the same time as room air-dependent heat-producing appliance is being operated.

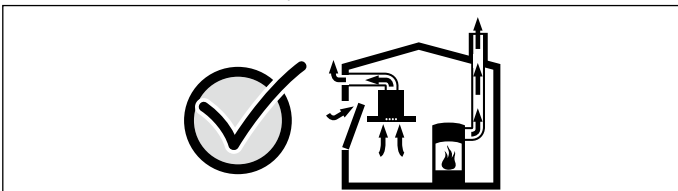


Room air-dependent heat-producing appliances (e.g. gas, oil, wood or coal-operated heaters, continuous flow heaters or water heaters) obtain combustion air from the room in which they are installed and discharge the exhaust gases into the open air through an exhaust gas system (e.g. a chimney).

In combination with an activated vapour extractor hood, room air is extracted from the kitchen and neighbouring rooms - a partial vacuum is produced if not enough fresh air is supplied. Toxic gases from the chimney or the extraction shaft are sucked back into the living space.

- Adequate incoming air must therefore always be ensured.
- An incoming/exhaust air wall box alone will not ensure compliance with the limit.

Safe operation is possible only when the partial vacuum in the place where the heat-producing appliance is installed does not exceed 4 Pa (0.04 mbar). This can be achieved when the air needed for combustion is able to enter through openings that cannot be sealed, for example in doors, windows, incoming/exhaust air wall boxes or by other technical means.



In any case, consult your responsible Master Chimney Sweep. He is able to assess the house's entire ventilation setup and will suggest the suitable ventilation measures to you.

Unrestricted operation is possible if the vapour extractor hood is operated exclusively in the circulating-air mode.

Risk of death!

Risk of poisoning from flue gases being drawn back in. When installing a ventilation system in an open-flued boiler, the electricity supply to the ventilation system must be provided with a suitable safety switch.

Risk of fire!

Grease deposits in the grease filter may catch fire. Never work with naked flames close to the appliance (e.g. flambéing). Do not install the appliance near a heat-producing appliance for solid fuel (e.g. wood or coal) unless a closed, non-removable cover is available. There must be no flying sparks.

Risk of injury!

- Changes to the electrical or mechanical assembly are dangerous and may lead to malfunctions. Do not make any changes to the electrical or mechanical assembly.
- Parts that are accessible during installation may have sharp edges. Wear protective gloves.
- The appliance is heavy. To move the appliance, 2 people are required. Use only suitable tools and equipment.

Danger of suffocation!

Packaging material is dangerous to children. Never allow children to play with packaging material.

Do not install this appliance on boats or in vehicles.

Hob: flat, horizontal, stable. Follow the hob manufacturer's instructions.

- The worktop into which you install the hob should be able to withstand loads of approx. 60 kg. If necessary, strengthen the worktop with temperature and water-resistant material.
- Only check the evenness of the hob after it has been installed.

Notes

- To level the appliance, do not use connecting pieces at individual points.
- Adjustments to the work surface must be carried out by a specialist service provider in accordance with the installation diagram. The cutting edge must be clean and precise because the edge is visible on the surface. Clean the cutting edges with a suitable cleaning agent and degrease them.

General information

The surfaces of the appliance are easily damaged. Avoid damaging them during installation.

Exhaust air mode

Note: The exhaust air must not be conveyed into a functioning smoke or exhaust gas flue or into a shaft that is used to ventilate rooms in which heating appliances are installed.

If the exhaust air is to be conveyed into a non-functioning smoke or exhaust gas flue, you must obtain the consent of the heating engineer responsible.

Exhaust duct

Note: The appliance manufacturer does not provide any warranty for faults attributable to the pipe section.

- The appliance achieves its optimum performance by means of a short, straight exhaust air pipe and as large a pipe diameter as possible.
- As a result of long, rough exhaust air pipes, many pipe bends or pipe diameters that are smaller than 150 mm, the optimum extraction performance is not achieved and fan noise is increased.
- The pipes or hoses for laying the exhaust air line must consist of non-combustible material.
- If the exhaust air is conveyed through the outer wall, a telescopic wall box should be used.

Risk of damage from returning condensate. Install the exhaust duct in such a way that it falls away from the appliance slightly (1° slope).

Round pipes

An inside diameter of 150 mm is recommended.

Flat ducts

The inside cross-section must be the same as the diameter of the round pipes.

dia. 150 mm ca. 177 cm²

- Flat ducts should not have any sharp bends.
- Use sealing strips for different pipe diameters.

Note: The air extraction channels suitable for installation can be obtained from the technical after-sales service, our website or from specialist retailers.

Electrical connection

The required connection information is on the appliance's identification plate.

This appliance complies with the EC interference suppression regulations.

Only a licensed professional may connect the appliance. The appliance must be installed in accordance with the most recent IEE (Institute of Electrical Engineers) guidelines. The appliance may be damaged if it is not connected correctly.

Make sure that the voltage of the power supply matches the value specified on the rating plate.

Make sure that the power supply is properly earthed, that the fuse protection is sufficient and the cable/wiring system in the building is sufficiently dimensioned for the electrical power of the appliance.

Comply with the following when installing the power cable:

- Ensure that the cable is not pinched or crushed.
- Keep the cable away from sharp edges.
- Ensure that the cable is not in contact with the metal casing on the underside of the appliance, as this becomes hot.

Check the household wiring before connecting the appliance. Ensure that there is sufficient fuse protection for the household wiring. The voltage and frequency of the appliance must match the electrical installation (see rating plate).

The appliance corresponds to protection class I and must only be operated with a protective earth connection.

The installation must have an all-pole isolating switch with a contact gap of at least 3 mm. This must still be accessible once the appliance has been installed.

Only a qualified electrician may install or replace the power cable, taking the relevant regulations into account.

Warranty: an unsuitable installation, connection or assembly will invalidate the product warranty.

Note: Any change to the appliance's interior, including changing the power cable, must only be performed by specially trained members of the Technical Assistance Service.

Preparing for installation

Appliance dimensions and safety clearances

- Observe the appliance's dimensions. (Fig. A)
- Observe the dimensions of the air extraction duct. (Fig. B)
- Ensure that, once it is installed, there will be adequate access to the appliance for emptying the overflow container. (Fig. C)
- Optimum performance is achieved at a distance of at least 50 mm between the rear panel of the unit and the wall. Performance is reduced at a smaller distance. (Fig. D)
- Comply with the safety clearances. (Fig. C, D, 1a)

Note: Do not place any objects on the appliance which exceed the maximum height of the drawer. The objects may come into contact with the base of the appliance and thus disrupt the functions.

Checking the fitted unit

- The fitted unit must be level and have sufficient load-bearing capacity.
- The max. weight of the appliance is approx. **25 kg**.
- The worktop into which the hob is installed should be able to withstand loads of approx. 60 kg.
- The appliance is very heavy. The appliance should be installed by two persons.
- Only check the evenness of the hob after it has been installed.
- The fitted unit must be heat-resistant up to 90 °C.
- The fitted unit must still be sturdy after the cut-outs have been made.
- Use suitable supporting structural measures beneath the worktop, especially if the worktop is not very thick, to ensure that it is both robust and capable of bearing the required load. Take into account the weight of the appliance and any additional loads. The reinforcing material used must be heat and moisture resistant.
- Do not install ovens, refrigerators, dishwashers, washing machines or other appliances underneath the appliance.

Note: Check that the appliance is level once it has been installed in the installation opening.

Preparing the units

1. Make the cut-out in the worktop as shown in the installation drawing. (Fig. 1a)

Note: The angle between the cut surface and the worktop must be 90°. The cut-out edges at the sides must be flat. For laminate worktops, it may be necessary to secure strips at the sides in the cut-out.

2. Use the template to make the cut-out in the back panel (Fig. 1b, c). If air is circulated in the pipework in the base of the unit or during air extraction, if necessary, remove the back panel of the unit.

3. For circulating-air mode: Make an air outlet in the unit's front toe kick.

Note: The air outlet must have a minimum cross section of approximately 440 cm². Make the outlet opening in the kick panel as large as possible in order to keep draughts and noise to a minimum.

4. After making the cut-outs, remove any shavings.

Note: Seal cut surfaces with heat-resistant and waterproof material.

5. To guarantee that the appliance works correctly, the cooktop must be sufficiently ventilated. To do this, make an air outlet with a minimum cross section of 200 cm² in the base unit.

6. Comply with the minimum clearances when installing over a drawer. (Fig. C, D)

Preparing for the electrical connection work

Note: Refer to the **Electrical connection** section in the **General information** chapter.

On appliances that do not have a pre-installed cable, insert the mains cable into the socket.

1. Use a screwdriver to lift up the socket's cover. (Fig. 2)
2. Undo the fastening screw and use a screwdriver to lift the hose clamp. (Fig. 3)
3. Only connect to the mains socket as shown in the figure (Fig. 4):

WH: White
GN: Green
YE: Yellow
BU: Blue
GN/YE: Green and yellow

Notes

- If required, fit the copper bridges provided as shown in the circuit diagram.
 - Ensure that the screws are screwed in tightly on the socket after the cables have been connected.
 - For a 1N~ connection in accordance with the connection diagram, 1 corresponds to the fan motor.
 - En una conexión 2N~/3N~, la fase L1 (Green) se corresponde con el motor del ventilador.
4. Use the hose clamp to secure the mains cable and tighten the fastening screw. (Fig. 5)
 5. Close the cover on the socket.

Note: Arrange the cables in the central area of the mains socket in order to facilitate the fastening.

Warranty: an unsuitable installation, connection or assembly will invalidate the product warranty.

Note: Any change to the appliance's interior, including changing the power cable, must only be performed by specially trained members of the Technical Assistance Service.

Installing the appliance

⚠ Wearers of electronic implants!

The appliance may contain permanent magnets which may affect electronic implants, e.g. heart pacemakers or insulin pumps. Therefore, during installation, wearers of electronic implants must maintain a minimum distance of 10 cm from the appliance.

⚠ Risk of electric shock!

Components inside the appliance may have sharp edges. These may damage the connecting cable. Do not kink or pinch the connecting cable during installation.

⚠ Risk of injury!

Parts that are accessible during installation may have sharp edges. Wear protective gloves.

For air extraction mode: Insert the hob and establish the pipework (Fig. 6a)

1. Secure the seal to the exhaust air duct. Secure the seal no more than 5 mm from the edge.
2. Attach the mounting rails.
For stone worktops, adhere the rails (to do this, use a heat-resistant adhesive suitable for bonding metal and stone).
3. Attach the seal to the cut-out in the back panel of the unit.
4. Do not use silicone for sealing.
5. Carefully insert the appliance into the unit cut-out.
6. Insert the exhaust air duct into the ventilation opening on the rear of the appliance.

For circulating-air mode: Insert the hob and connect the pipework between the appliance and the rear panel of the unit (Fig. 6b)

Caution!

Do not install the appliance on walls without sound insulation.

1. Insert the adapter into the outlet opening at the rear of the cooktop.
2. Remove the protective film on the adhesive tape from the adapter.
3. Attach the mounting rails.
For stone worktops, adhere the rails (to do this, use a heat-resistant adhesive suitable for bonding metal and stone).
4. Do not use silicone for sealing.
5. Carefully insert the appliance into the unit cut-out.
6. In the floor unit, push the adapter by the side holders against the rear panel of the unit and stick it securely. When doing so, hold the adapter by the middle holder. If necessary, secure it in place using screws.

In guided circulating-air mode: Insert the hob and the air extraction channels with the diffuser. (Fig. 6c)

1. When using the air recirculation duct: Secure the seal to the air recirculation duct. Secure the seal no more than 5 mm from the edge.
2. Attach the mounting rails.
For stone worktops, adhere the rails (to do this, use a heat-resistant adhesive suitable for bonding metal and stone).
3. Do not use silicone for sealing.
4. Carefully insert the appliance into the unit cut-out.
5. Connect the components of the air recirculation duct and insert it into the outlet opening at the rear of the hob.
6. Connect the diffuser to the air recirculation duct.

Connecting the appliance

Notes

- For air extraction mode, a back-pressure flap with a maximum opening pressure of 65 Pa should be installed. If a back-pressure flap is not included with the appliance, one can be ordered from a specialist retailer.
- If the exhaust air is conveyed through the outer wall, a telescopic wall box should be used.

Connecting the air extractor

1. Secure the exhaust air pipe to the flat duct elbow.
2. Connect it to the exhaust air opening.
3. Use suitable means to seal the joints.

Inserting the filter

1. Insert two of the filters into the left and right of the appliance and slide them forwards. (Fig. 7a)
2. Insert the other filters into the left and right of the appliance.
3. Insert the metal grease filter. (Fig. 7b)

Establishing a connection to the mains

- Voltage: See the rating plate.
 - Only connect as shown in the circuit diagram (Fig. 8):
WH: White
GN: Green
YE: Yellow
BU: Blue
GN/YE: Green and yellow
 - Depending on the type of connection, the arrangement of the ferrule terminals supplied by the factory may need to be changed. To do this, the ferrule terminals may need to be shortened and the insulation removed in order to insert a ferrule terminal that connects two cables.
1. If *U400*, *E05 13* or *E* appears in the appliance display, it is not connected correctly. Disconnect the appliance from the power supply and check whether the connection to the appliance (Fig. 4) and the connection to the building (Fig. 8) correspond to the connection diagram in these installation instructions.
 2. If no fault appears in the display of the appliance, check the function of the ventilation system according to the instruction manual.

Switching the display to air extraction mode or air recirculation mode

For air extraction mode and air recirculation mode, if necessary, switch the electronic control unit's display accordingly to the basic settings.

To do this, refer to the **Basic settings** section in the instruction manual.

Removing the appliance

1. Disconnect the appliance from the power supply.
2. Remove the exhaust air duct or disconnect the air recirculation connections.
3. Push out the appliance from below.

Caution!

Damage to the appliance: Do not prise out the appliance from above.