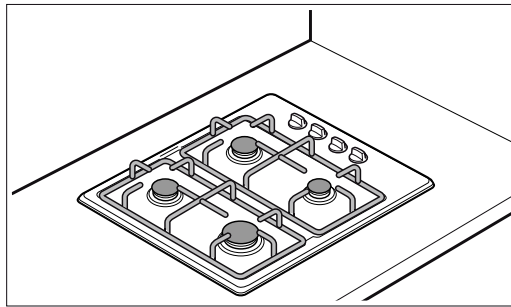


## en Installation instructions

Gas hob





**Safety precautions** ..... 4

**Before installing** ..... 4

**Preparing the units**..... 4

**Installation of appliance** .....5

Setting up the appliance .....5

**Removal of hob** ..... 6

**Set-up, gas and electricity connection**..... 6

Gas connection .....6

Faults in the gas installation/smell of gas .....6

Electrical connection .....6

**Types of connection** ..... 7

Liquid gas connection (LPG).....7

**Gas connector** ..... 8

**Leak test and function test**..... 8

Check the gas connection .....8

Checking the burner nozzles.....8

Checking the bypass valves.....8

**Correct flame formation**..... 8

Burner .....8

**Technical data – Gas**..... 9

# Safety precautions

Read the appliance instructions before installing and using.

The graphics in these Assembly instructions are given as a guide only.

**The manufacturer is exempt from all liability if this manual's requirements are not complied with.**

**All operations relating to installation, regulation and conversion to other gas types must be carried out by an authorised installation engineer, respecting all applicable regulations, standards and the specifications of the local gas and electricity providers.**

**You are recommended to contact the Technical Assistance Service to convert to another gas type.**

**Before you begin, turn off the appliance's electricity and gas supply.**

This appliance has been designed for home use only, not for commercial or professional use. This appliance cannot be installed on yachts or in caravans. The warranty will only be valid if the appliance is used for the purpose for which it was designed.

After connecting the appliance, check that the local conditions (type of gas and pressure) are compatible with the appliance settings. The permissible appliance settings can be found on the label or rating plate.

These instructions are only valid if the appropriate country symbol appears on the appliance. If the symbol does not appear on the appliance, it is necessary to refer to the technical instructions which will provide the necessary instructions concerning modification of the appliance to the conditions of use of the country.

This appliance can only be installed in a well-ventilated place in accordance with existing regulations and ventilation specifications. The appliance must not be connected to a combustion product removal device.

The supply cable must be attached to the unit to prevent it from touching hot parts of the oven or hob.

Appliances with electrical supply must be earthed.

Do not tamper with the appliance's interior. If necessary, call our Technical Assistance Service.

# Before installing

This appliance is class 3 type, according to the EN 30-1-1 regulation for gas appliances: built-in appliance.

This appliance is classified in accordance with SASO-168 in class 4.1.

The units next to the appliance must be made of non-flammable materials. The laminated covering and glue for adhering it must be heat resistant.

This appliance cannot be installed above fridges, washing machines, dishwashers or similar.

If the hob is installed above an oven, it must have forced ventilation. Check the dimensions of the oven in your installation instructions.

If an extractor hood is fitted, this must be done according to the installation instructions and always allowing for a vertical minimum clearance of 650 mm to the hob.

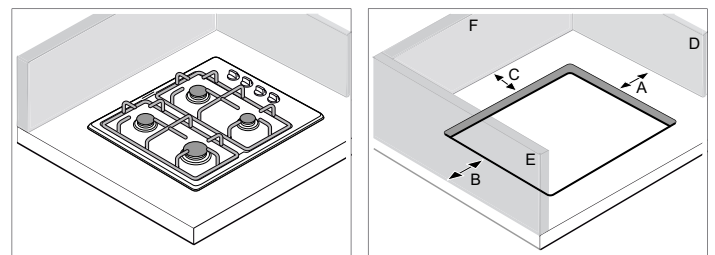
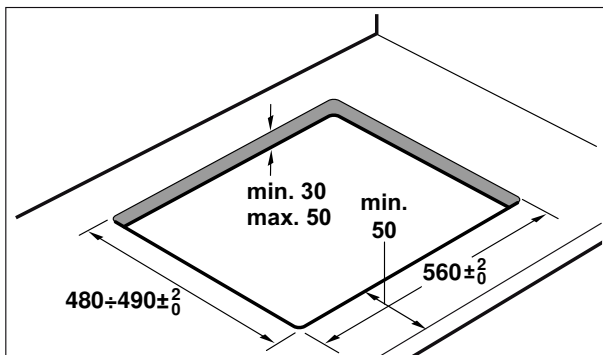
# Preparing the units

Make an appropriate size cut in the work surface.

The appliance must be set up and inserted in accordance with the specified dimensions. The appliance must not be set up on any other object.

If the hob is electric or mixed (gas and electricity) and there is no oven below, place a non-flammable separator (e.g. metal or plywood) 10 mm from the bottom of the hob. This will prevent access to the base of the hob. If the hob is gas, it is recommendable to place the separator at the same distance.

Seal all work surfaces made of wood with special sealer/glue to protect it against moisture damage.



Distance	Designation
A	Distance between the appliance and the right vertical surface
B	Distance between the appliance and the left vertical surface
C	Distance between the appliance and the rear vertical surface

### Caution!

- You can install the appliance between two vertical surfaces that are next to each other, e.g. D and F or E and F.
- You cannot install the appliance between two vertical surfaces that are opposite each other, e.g. D and E.

When you install the built-in cooker, comply with the dimensions given in the table below.

**Note:** Use the data in the table below that corresponds to your appliance.

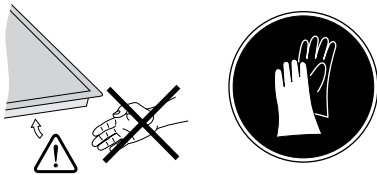
**Caution!**

If surfaces A and B are available, do not place the appliance on a surface.

Appliance type	Minimum distance A (mm)	Minimum distance B (mm)	Minimum distance C (mm)
Products with hob plate made of glass	100	60	50
Products with hob plate made from steel/enamel	100	80	50

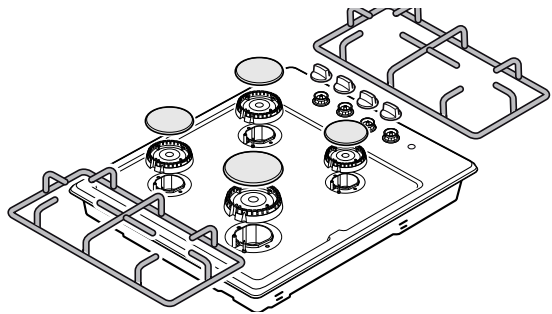
**Note:** Determine the distances that are listed in the table from the surface that is closest to the appliance.

## Installation of appliance



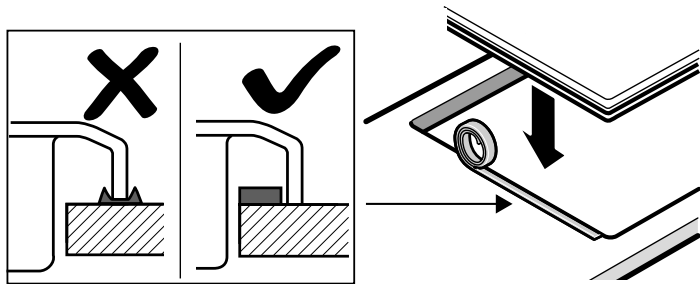
**Note:** Wear protective gloves to fit the hob.

Remove the pan support, handles, burner cap and burner heads.



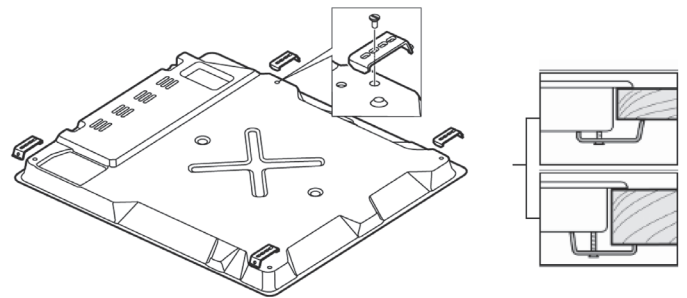
Turn the appliance over carefully and place it on a soft cloth. Make sure that the ignition parts are not damaged.

The adhesive seal provided prevents leaks. Adhere it to the work surface around the cut-out. It must be adhered around the edge of the area cut out.



Fitting the appliance onto the kitchen unit:

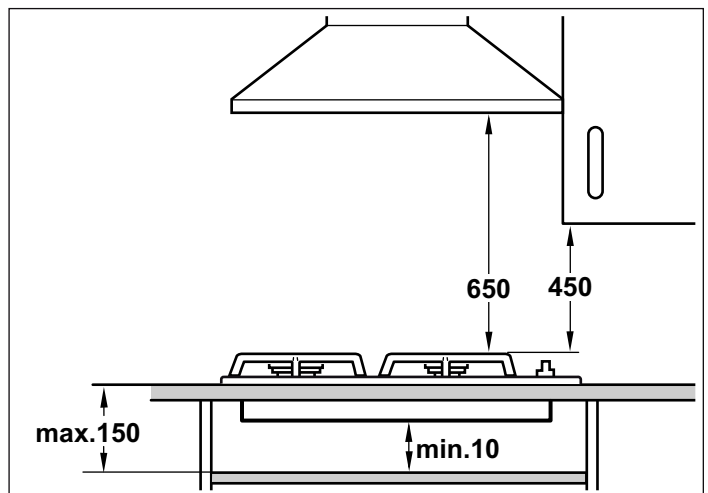
1. Remove the clips from the accessory bag and screw them into the position indicated so that they can turn freely.
2. Insert and centre the hob.  
Press the sides of the hob until it is supported around its entire perimeter.
3. Turn the clips and tighten them fully.  
The position of the clips depends on how thick the work surface is.



Do not stick the hob onto the worktop with silicone.

### Setting up the appliance

- The distance between the top edge of the cooker and the bottom edge of the extractor hood must meet the requirements of the extractor hood manufacturer.
- Ensure that the appliance is not moved again after set up.
- The underside of the appliance heats up during operation. We therefore recommend that you install a guard plate on the underside of the appliance.



# Removal of hob

Turn off the appliance's electricity and gas supply.

Unscrew the clips and proceed in the reverse order to installation.

## Set-up, gas and electricity connection

### Gas connection

Installation must only be performed by an approved expert or a licensed after-sales service engineer in accordance with the instructions specified in the "Installation instructions".

#### For the licensed expert or after-sales service

##### Caution!

The setting values for this appliance are specified on the rating plate on the back of the appliance. The gas type set in the factory is marked with an asterisk (\*).

If the star symbol appears next to the label "NG", the appliance is set up for natural gas, and if it appears next to "LPG", the appliance is set up for liquefied gas.

##### Caution!

Before connecting the appliance, check whether the local connection conditions (gas type and pressure) correspond to the appliance settings. If a change to the appliance settings is necessary, make the change with the aid of the instructions in the "Installation instructions".

##### Caution!

Connect the LPG nipple that is included in the scope of delivery for the appliance to the collector connecting piece upstream of the gas connection.

##### Caution!

This appliance is not connected to a waste gas main. It must be connected and commissioned in accordance with the installation conditions. Do not connect the appliance to a waste gas main. All ventilation regulations must be observed.

##### Caution!

The gas connection must be made via a fixed, i.e. not mobile connection (gas line) or via a safety hose.

##### Caution!

If using the safety hose, ensure that the hose is not trapped or crushed. The hose must not come into contact with hot surfaces.

##### Caution!

The gas connection must have an easily accessible locking device.

### Safety information

The nominal operating pressure of the appliance is:

for natural gas (G20) 20 mBar, for natural gas (G25) 25 mBar, for LPG (G30) 30 mBar, for LPG (G31) 37 mBar. The appliance must be operated at these pressure values. All data on the rating plate of your appliance relates to these pressure values. The manufacturer is not responsible for results, performance or any risk caused by operating the appliance at different values.

#### If the gas pressure in your gas supply grid!

for natural gas (G20) is higher than 25 mBar, for natural gas (G25) is higher than 30 mBar, for LPG (G30) is higher than 36 mBar, for LPG (G31) is higher than 45 mBar, you must use your appliance in conjunction with a suitable gas regulator, for safety reasons. Connection, maintenance and configuration of the gas regulator must be performed by an authorised

installation expert. If you do not know the gas pressure in your gas supply grid, please ask your local supply grid operator.

### Faults in the gas installation/smell of gas

If you notice a smell of gas or faults in the gas installation, you must:

#### WHAT TO DO IF YOU SMELL GAS!

Escaping gas may cause an explosion.

#### If you smell gas or notice any faults in the gas installation:

- Immediately shut off the gas supply or close the gas cylinder valve.
- Immediately extinguish all naked flames and cigarettes.
- Do not use any light or appliance switches and do not pull any plugs out of sockets. Do not use any telephones or mobile phones within the building.
- Open windows and ventilate the room.
- Call the after-sales service or the gas supplier.

### Electrical connection

#### Caution!

- Have the appliance set up by your after-sales service. A 16 A fuse is required for connection. The appliance is designed for operation at 220-240 V.
- If the electricity supply drops below 180 V, the electrical ignition system does not work.
- Any damage arising from the appliance being connected incorrectly will invalidate the guarantee.
- If the supply cord is damaged, it must be replaced by the manufacturer, its service agent or similarly qualified persons in order to avoid a hazard.

#### For the after-sales service

##### Caution!

The electrical connection must only be carried out by a licensed service technician. Observe the instructions of the relevant electricity provider.

##### Caution!

The appliance must be connected in accordance with the data on the rating plate.

##### Caution!

The mains voltage must correspond to the voltage specified on the label or rating plate.

##### Caution!

Only connect the appliance to an electrical connection that meets the applicable provisions. The socket must be easily accessible so that you can disconnect the appliance from the electricity supply if necessary.

##### Caution!

Please ensure the availability of a multi-pin disconnecting system.

##### Caution!

Never use extension cables or multiple plugs.

### Caution!

For safety reasons, this appliance must only be connected to an earthed connection. If the safety earth terminal does not comply with regulations, safety against electrical hazards is not guaranteed.

### Caution!

You must use a H 05 W-F type cable or equivalent for the appliance connection.

### Connection for models with mains cable without plug (optional):

### Caution!

Appliances fitted with three-core cables must be earthed.

Connect the wires with the mains cable according to the following colour coding:

Green/yellow	Earth $\oplus$
Blue	Neutral
Brown	Phase

If the mains cable has to be replaced: Connect the cable to the appliance according to the wiring diagram.

## Types of connection

These instructions apply only when the appliance is set up in countries that are indicated on the rating plate.

**Note:** If the appliance is set up, connected and used in a country that is not indicated on the rating plate, installation and assembly instructions must be used that contain data and information on the valid connection conditions in the relevant country.

The gas connection must be located in a position where the stop tap is accessible.

### Liquid gas connection (LPG)

### Caution!

Observe the country-specific guidelines.

If liquid gas (LPG) is used, the gas connection should be established via a gas hose or a fixed connection.

Important information when using a gas hose:

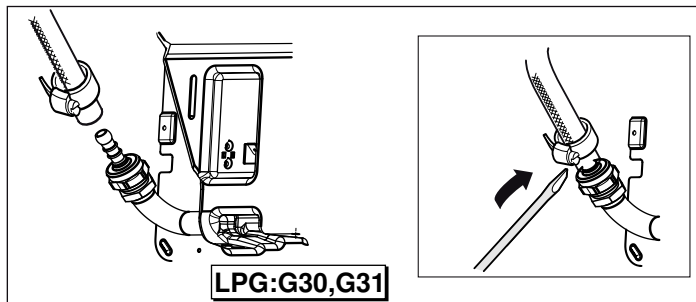
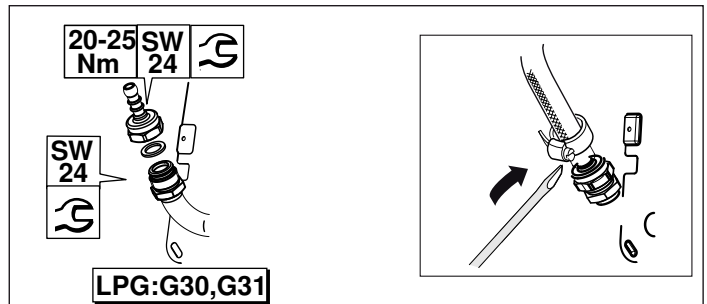
- A safety gas hose or a plastic hose (8 mm diameter) must be used.
- It must be secured to the gas connection using an approved connecting device (for example, a hose clamp).
- The hose must be short and completely leak-tight. The hose can have a maximum length of 1.5 m. Observe the current guidelines.
- The gas hose must be replaced at least once a year.

Fit the flexible safety gas hose and use a screw connection or a cable clamp to tighten it securely.

After establishing the connection, carry out a leak test. See the section "Leak test".

### Caution!

Connect the LPG nipple that is included in the scope of delivery for the appliance to the collector connecting piece upstream of the gas connection.

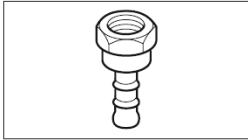


# Gas connector

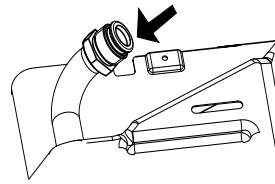
(\*) Seal



(\*) Connecting piece for liquid gas (LPG: G30, G31)



Connecting piece



## Leak test and function test

### Risk of explosion!

Avoid sparking. Do not use an open flame.  
Perform the leak test only with a suitable leakage spray.

#### In the event of a gas leak

Shut off the gas supply.  
Ensure that the room affected is well ventilated.  
Check the gas and valve connections again. Repeat the leak test.

The leak test must be performed by two people, in accordance with the following instructions.

#### Check the gas connection

1. Open the gas supply.
2. Spray the gas connection with a leakage spray.  
If small bubbles or foam form, indicating a gas leak, follow the instructions in the section entitled *"In the event of a gas leak"*.

#### Checking the burner nozzles

1. Open the gas supply.  
Carry out the leak test separately for each nozzle.

2. Carefully close the hole in the burner nozzle to be checked using your finger or a suitable device.
3. Spray the nozzle with a leakage spray.
4. Press the function selector and turn it anti-clockwise. This supplies the nozzle with gas.

If small bubbles or foam form, indicating a gas leak, follow the instructions in the section entitled *"In the event of a gas leak"*.

#### Checking the bypass valves

1. Open the gas supply.  
Carry out the leak test separately for each bypass screw.
2. Carefully close the hole in the burner nozzle to be checked using your finger or a suitable device.
3. Spray the nozzle in the burner to be checked with a leakage spray.
4. Push the control knob and turn it anti-clockwise. This supplies the nozzle with gas.

If small bubbles or foam form, indicating a gas leak, follow the instructions in the section entitled *"In the event of a gas leak"*.

## Correct flame formation

### Burner

The burning behaviour and soot formation must be checked for each burner after the gas type has been changed.

If there is a problem, the nozzle values must be compared with the values in the table.

1. Ignite the gas burner in accordance with the instructions in the operating instructions.
2. Turn the control knob to the small flame setting.  
Check whether the flame safety system is operating by holding the flame at the "Small flame" setting for one minute.

3. Check the correct burner behaviour for large and small flames. The flame should burn evenly and constantly.
4. Turn the control knob quickly from the large flame to the small flame and back again. Repeat this process several times. The gas flame must not flicker or go out.

# Technical data – Gas

The different types of gas and the corresponding values are listed here.

## Nozzle values for economy burners

	<b>G20</b>	<b>G25</b>	<b>G30</b>	<b>G 30</b>
Gas pressure (mbar)	20	25	29	50
Nozzle (mm)	0.72	0.72	0.50	0,46
Bypass nozzle (mm)	0.3	0.3	0.3	0,3
Input power, max. (kW)	1	1	1	1
Input power, min (kW)	≤0.33	≤0.33	≤0.33	≤0,33
Gas flow at 15 °C and 1013 mbar m <sup>3</sup> /h	0.095	0.111	-	-
Gas flow at 15 °C and 1013 mbar g/h	-	-	73	73

## Nozzle values for normal burners

	<b>G20</b>	<b>G25</b>	<b>G30</b>	<b>G 30</b>
Gas pressure (mbar)	20	25	29	50
Nozzle (mm)	1.00	0.98	0.67	0,60
Bypass nozzle (mm)	0.32	0.32	0.32	0,32
Input power, max. (kW)	1.75	1.75	1.75	1,75
Input power, min (kW)	≤0.35	≤0.35	≤0.9	≤0,9
Gas flow at 15 °C and 1013 mbar m <sup>3</sup> /h	0.167	0.194	-	-
Gas flow at 15 °C and 1013 mbar g/h	-	-	127	127

## Nozzle values for larger burners (optional)

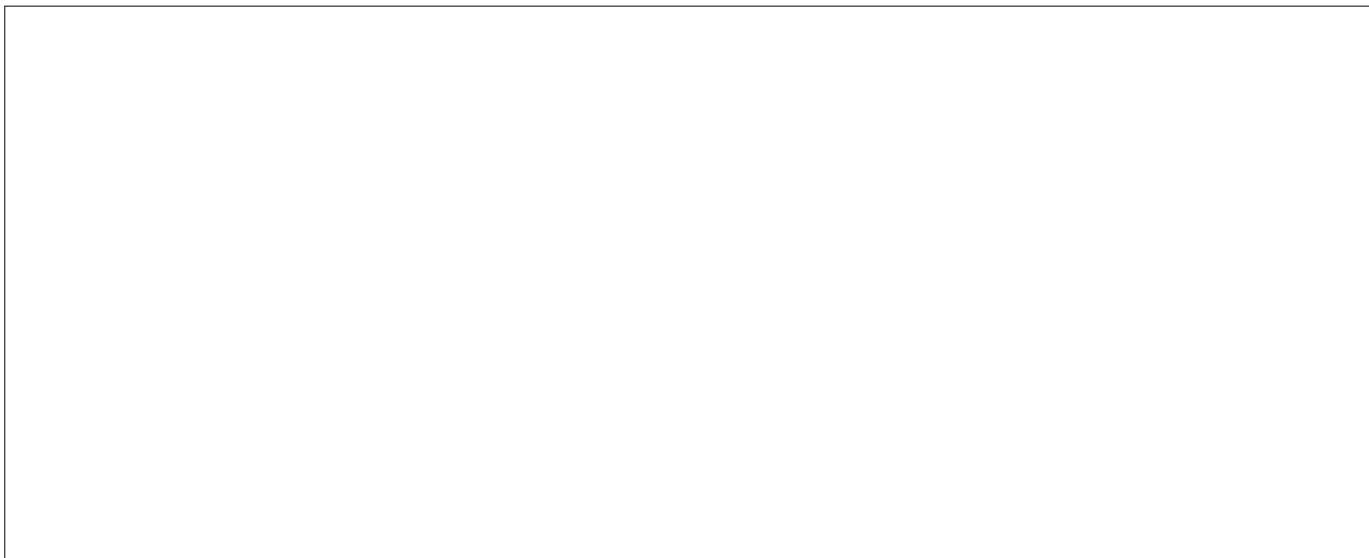
	<b>G20</b>	<b>G25</b>	<b>G30</b>	<b>G 30</b>
Gas pressure (mbar)	20	25	29	50
Nozzle (mm)	1.15	1.28	0.85	0,78
Bypass nozzle (mm)	0.39	0.39	0.39	0,39
Input power, max. (kW)	3	3	3	3
Input power, min (kW)	≤0.50	≤0.50	≤1.3	≤1,3
Gas flow at 15 °C and 1013 mbar m <sup>3</sup> /h	0.286	0.333	-	-
Gas flow at 15 °C and 1013 mbar g/h	-	-	218	218

## Nozzle values for mini woks (optional)

	<b>G20</b>	<b>G25</b>	<b>G30</b>	<b>G 30</b>
Gas pressure (mbar)	20	-	29	-
Nozzle (mm)	1.03	-	0.68	-
Bypass nozzle (mm)	0.61	-	0.61	-
Input power, max. (kW)	3.5	-	3.3	-
Input power, min (kW)	≤1.55	-	≤1.55	-
Gas flow at 15 °C and 1013 mbar m <sup>3</sup> /h	0.314	-	-	-
Gas flow at 15 °C and 1013 mbar g/h	-	-	240	-







9001448611