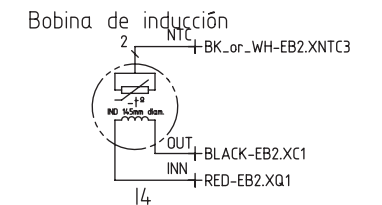
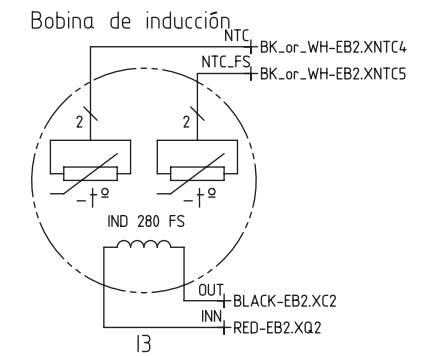
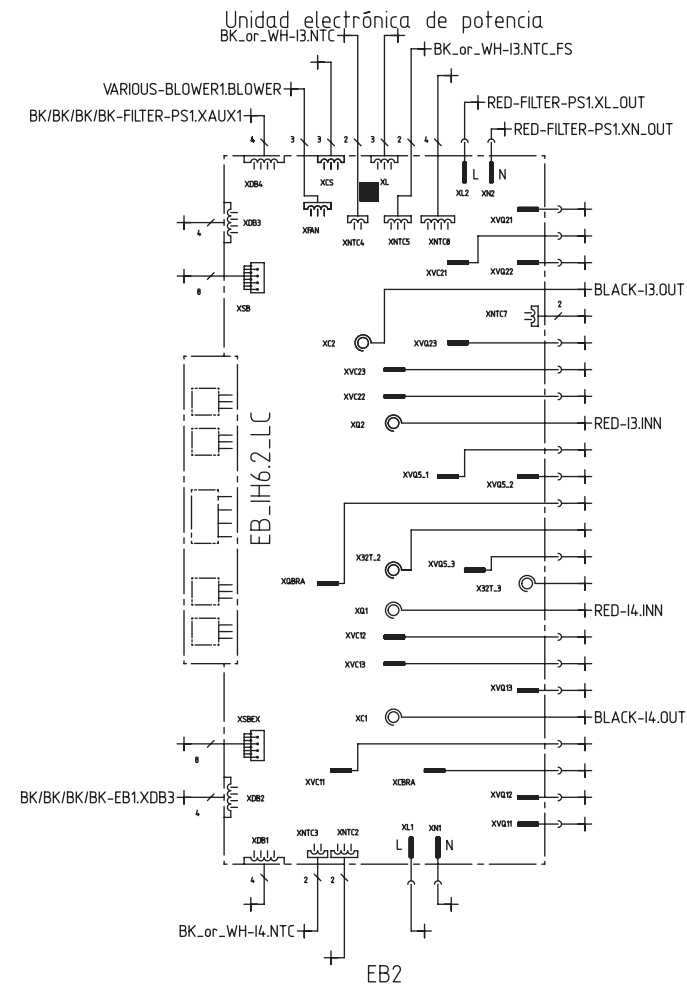
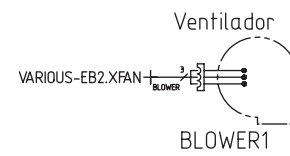
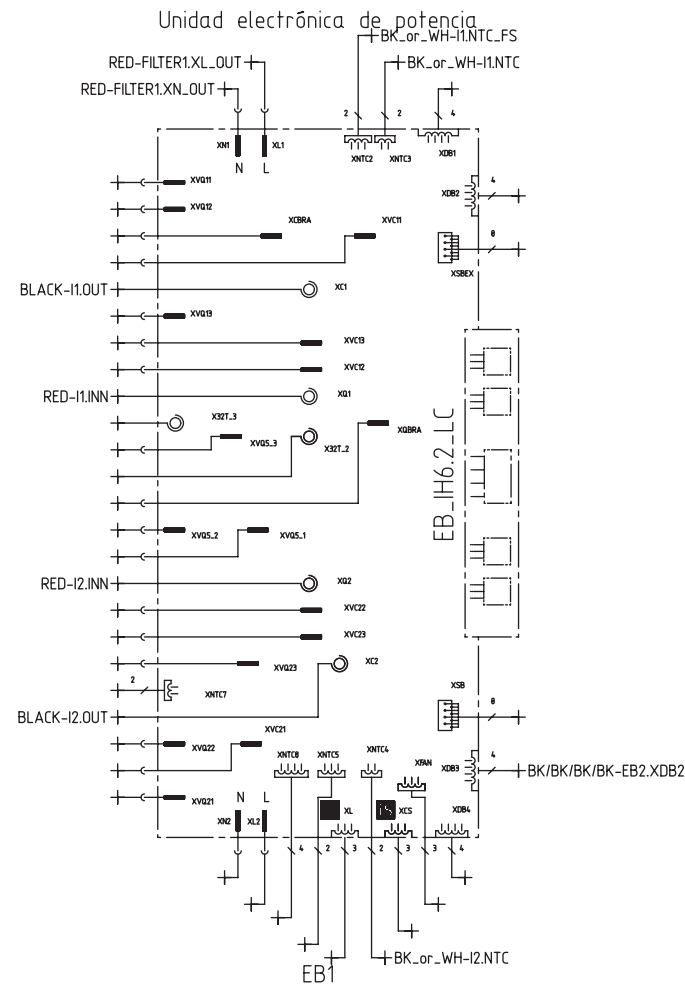
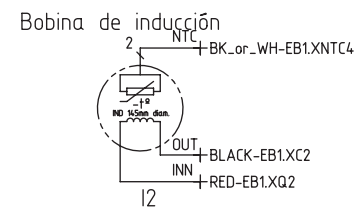
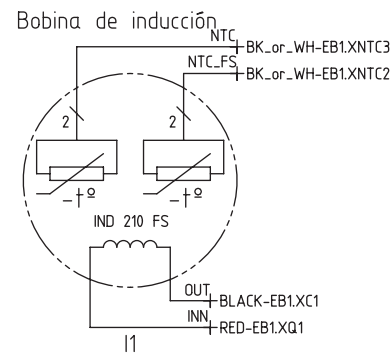
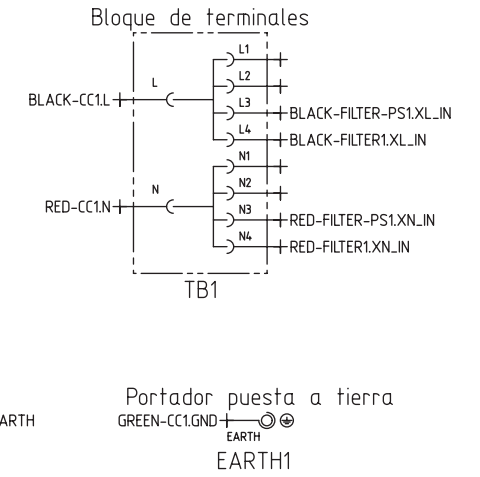
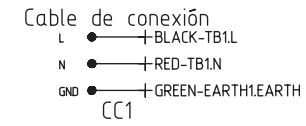
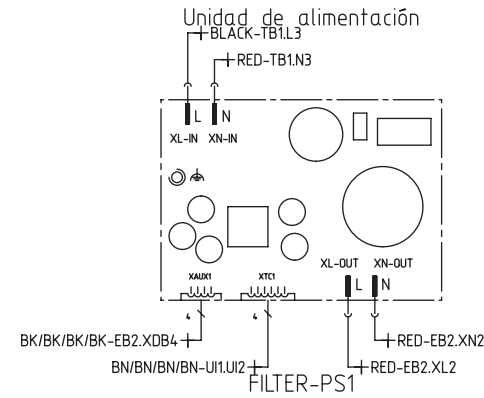
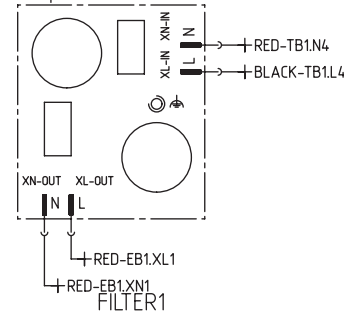


Filtro supresor de interferencias



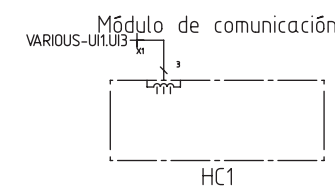
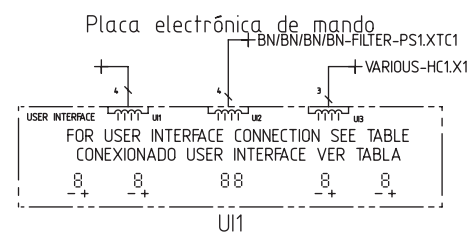
Inductor connection can also be made exchanging the wire that is connected to the other terminal of the inverter. (That is between XC1-XQ1 and between XQ2-XC2)

NTC_FS CONNECTION ONLY FOR FRYING SENSOR FUNCTION

| INDUCTOR | ELECTRONIC BOARD EB1 | | ELECTRONIC BOARD EB2 | |
|----------|----------------------|-------|----------------------|-------|
| | XNTC2 | XNTC5 | XNTC2 | XNTC5 |
| I2 | X | - | - | - |
| I3 | - | - | - | X |

USER INTERFACE CONNECTION PORTS / PUERTOS DE CONEXIÓN DEL USER INTERFACE

| PORT NAME / NOMBRE PUERTO | UI1 | UI2 | UI3 |
|---------------------------|-----|-----|-----|
| YL238 | - | X32 | X10 |



COLOURS IEC 60757

| Colour | Code | Colour | Code |
|-------------------------------|------|----------------------|-------|
| Blue / Azul | BU | Orange / Naranja | OG |
| Brown / Marrón | BN | Pink / Rosa | PK |
| Black / Negro | BK | Turquoise / Turquesa | TQ |
| White / Blanco | WH | Grey / Gris | GY |
| Red / Rojo | RD | Violet / Violeta | VT |
| Green / Verde | GN | Gold / Oro | GD |
| Yellow / Amarillo | YE | Silver / Plata | SR |
| Green-Yellow / Verde-Amarillo | | | GN YE |