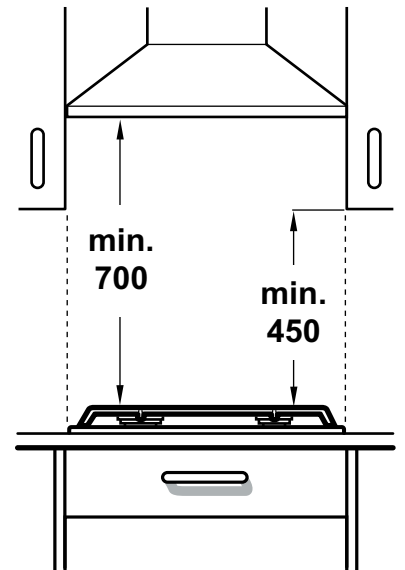
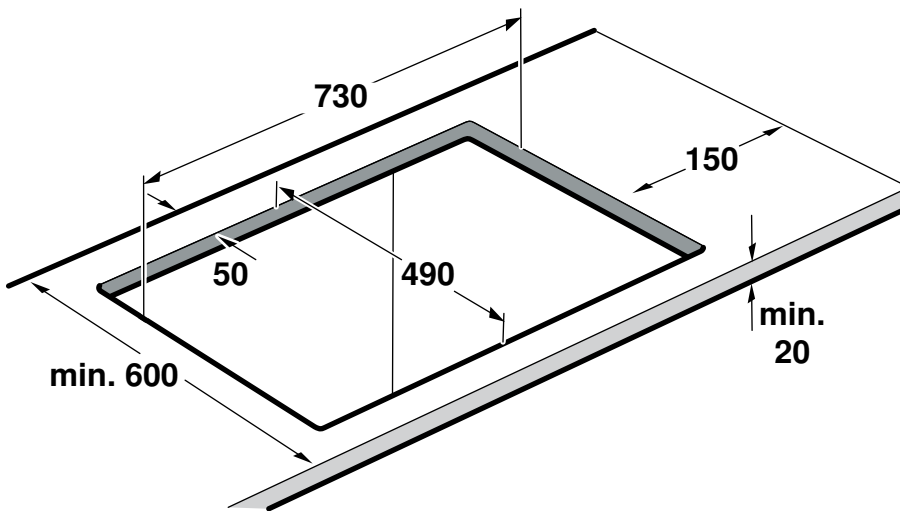
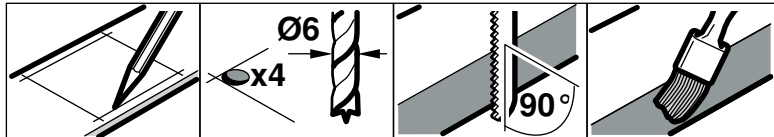
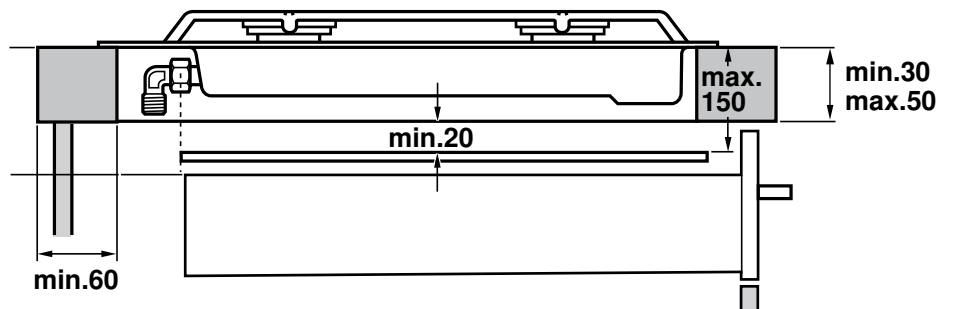


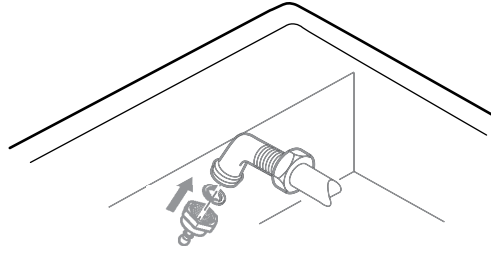
1



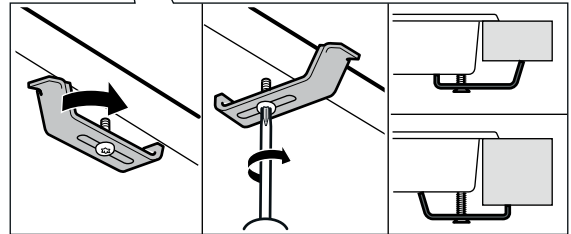
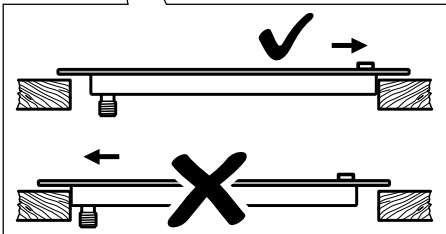
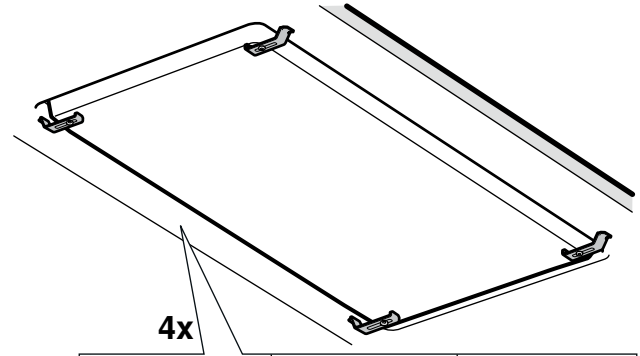
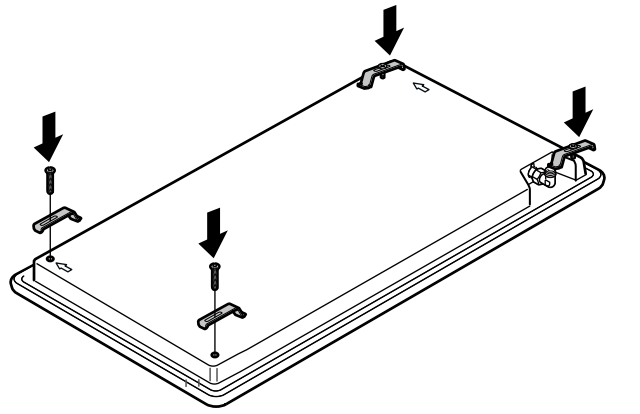
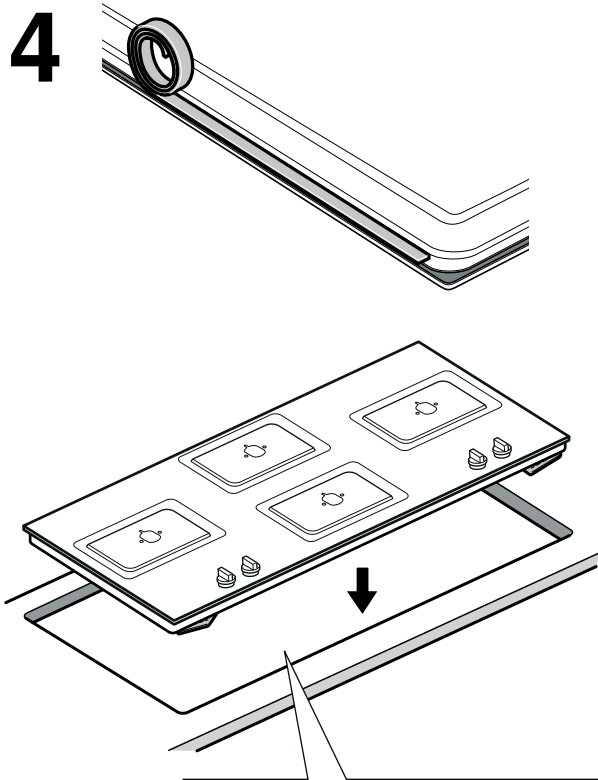
2



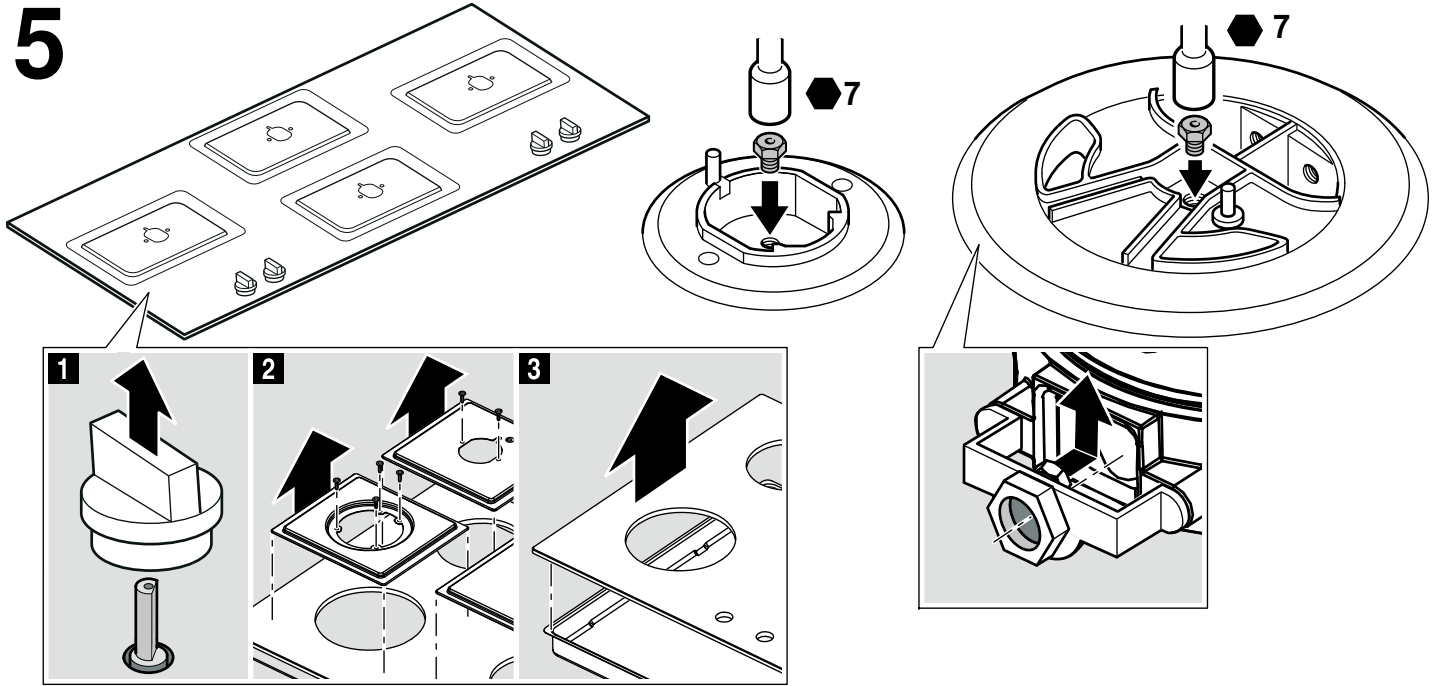
3



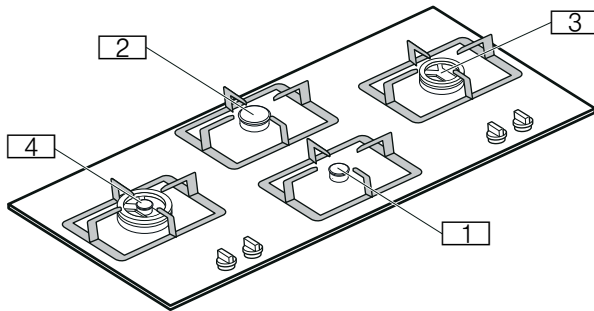
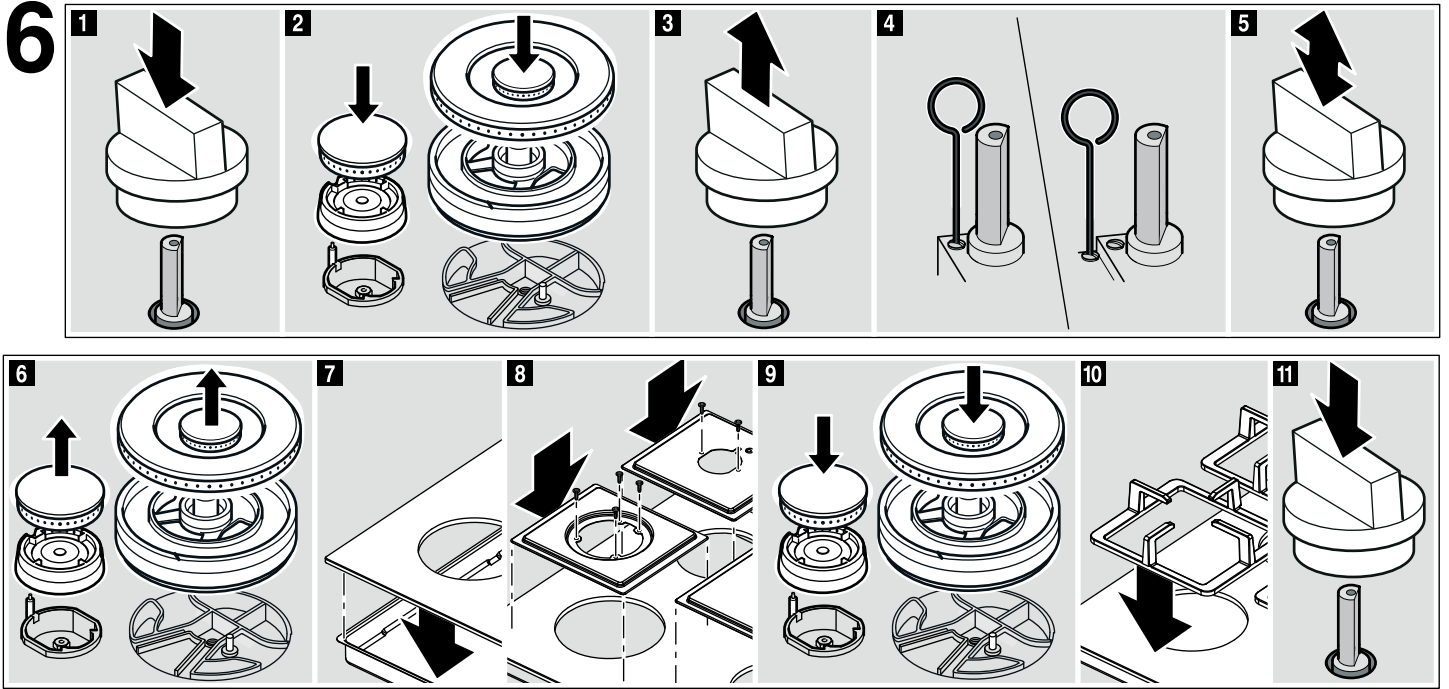
4



5



6



Safety precautions

Read the appliance's instructions before installing and using.

The manufacturer is exempt from all responsibility if the requirements of this manual are not complied with.

⚠ Risk of injury!

Parts that are accessible during installation may have sharp edges. Wear protective gloves.

This appliance has been designed for home use only, not for commercial or professional use. This appliance cannot be installed on yachts or in caravans. The warranty will only be valid if the appliance is used for the purpose for which it was designed.

The appliance must be connected to the mains only by a licensed and trained technician.

Before carrying out any type of work, turn off the electricity and gas supply.

For installation, currently applicable building regulations and the regulations of local electricity and gas suppliers must be observed. For conversion to another type of gas, please call the after-sales service.

⚠ Risk of gas escape!

After connecting the appliance to the gas supply, always check the connection for leak tightness. The manufacturer accepts no responsibility for the escape of gas from a gas connection which has been previously tampered with.

This appliance must only be used in well ventilated places. It must not be connected to a combustion product removal device.

All operations relating to installation, connection, regulation and conversion to other gas types must be carried out by an authorised installation engineer, respecting all applicable regulations, standards and the specifications of the local gas and electricity suppliers. Special attention shall be paid to ventilation regulations.

It is recommended you contact the Technical Assistance Service to change to another gas type.

Caution!

This appliance is not connected to a flue. It must be connected and put into operation in accordance with the installation conditions. Do not connect the appliance to a flue gas outlet. All ventilation regulations must be observed.

The installation system must incorporate an all-pin isolating switch with a contact opening of at least 3 mm, or the appliance should be connected to the mains via a safety plug. The plug must remain accessible after installation is complete.

Specifications on the rating plate showing voltage, type of gas and gas pressure must agree with the local mains connection conditions.

Do not kink or trap the mains connection cable.

The supply cable must be attached to the unit to prevent it from touching hot parts of the oven or hob.

Do not tamper with the appliance's interior. If necessary, call our Technical Assistance Service.

This appliance corresponds to appliance class 3 (for installation in a kitchen unit). It must be fitted according to the installation drawing. The wall behind the appliance must be made of non-flammable material.

This appliance is not intended for operation with an external timer or an external remote control.

This appliance cannot be installed above fridges, washing machines, dishwashers or similar.

The hob may only be fitted above a ventilated oven.

If an oven is installed underneath the hob, the thickness specified for the work surface may exceed the minimum thickness stated in these instructions. Observe the information in the oven installation instructions.

If an extractor fan is installed, you must follow the instructions in the installation manual, always respecting the minimum vertical distance from the hob (fig. 1).

Preparation of the kitchen unit (fig. 1-2)

Make an appropriate size cut in the work surface.

Seal all work surfaces made of wood with special sealer/glue to protect it against moisture damage.

Intermediate floor

If an oven has not been installed underneath the hob and the underside of the hob is easily accessible, please note the following:

- An intermediate floor must be fitted underneath hobs that have electric hotplates or wok burners.
- It is advisable to fit an intermediate floor underneath gas hobs that do not have wok burners. This prevents contact with the underside of the hob, which becomes hot during use.

Mounting height: 20 mm from the underside of the hob.

Material of the intermediate floor: Non-flammable material, such as metal or plywood.

Gas connection (Fig. 3)

The gas connection must be located in a position where the stop tap is accessible.

The end of the inlet connection point of the gas hob has a 1/2" thread (20.955 mm) that allows for:

- A fixed connection.
- Connection using a flexible pipe (L min. 1 m - max. 3 m).

The watertight seal (034308) supplied must be inserted between the manifold outlet and the gas supply.

You must prevent the pipe from coming into contact with moving parts of the kitchen unit (for example, a drawer) and prevent access to any spaces which might become obstructed.

Do not move the L-tube from the factory-fitted position, regardless of the connection type.

⚠ Danger of leaks!

If any connection is handled, check the seal.

The manufacturer is not liable for any connection leaking, after being handled.

Appliance installation (Fig. 4)

Note: Wear protective gloves to fit the hob.

Depending on the model, the adhesive seal may be factory-fitted. If this is the case, it should not be removed under any circumstances, since the adhesive seal prevents leaks. If the seal has not been factory-fitted, apply it to the underside of the hob.

Fitting the appliance onto the kitchen unit:

1. Remove the clips from the accessory bag and screw them into the position indicated so that they can turn freely.
2. Insert and centre the hob.
Press the sides of the hob until it is supported around its entire perimeter.
3. Turn the clips and tighten them fully.
The position of the clips depends on how thick the work surface is.

Do not stick the hob onto the worktop with silicone.

Electrical connection

Power cable: H05VV-F 3G0.75 mm² 300/500V SANS 60227-5 CS-004SA PLUG

This appliance is type "Y": the supply cable can only be changed by the Technical Assistance Service and not the user. The cable type and minimum cross-section must be respected.

Connecting the appliance to the power supply

The appliance corresponds to protection class 1 and may only be operated with a protective earth connection.

The appliance must be disconnected from the power supply for all installation work.

The appliance must only be connected to the power supply with the power cable provided.

Contact protection must be ensured by the installation.

Only a licensed expert may connect the appliance. He is subject to the regulations of the local electricity provider.

Power cable with a plug with earthing contact

Connect the appliance to the enclosed plug with earthing contact to a properly installed earthed socket. The socket must be accessible after installation. If this is not the case, an all-pole isolating switch with a contact gap of at least 3 mm must be included in the installation.

Technical data/nozzle table (Fig. 6)

No	Burner	Nozzle	Gas	Max. Power	Min. Power	Nominal Pressure (mbar)	Voltage
1	Economy burner	T-0.72X	G20 (NG)	1.0 kW	0.35 kW	20	220-240 V
		Y-0.5	G30 (LPG)	1.0 kW	0.35 kW	29	220-240 V
2	Standard-output burner	T-0.97Z	G20 (NG)	1.75 kW	0.65 kW	20	220-240 V
		Y-0.65	G30 (LPG)	1.75 kW	0.65 kW	29	220-240 V
3	Two-ring standard-output burner	T-1.15Y	G20 (NG)	3.0 kW	0.87 kW	20	220-240 V
		Y-0.70	G30 (LPG)	2.0 kW	0.87 kW	29	220-240 V
4	Three-ring high-output burner - Inner	Y-0.56	G20 (NG)	5.0 kW	0.35 kW	20	220-240 V
		Y-0.43	G30 (LPG)	4.2 kW	0.35 kW	29	220-240 V
	Three-ring high-output burner - Outer	Y-1.55	G20 (NG)	5.0 kW	0.35 kW	20	220-240 V
		Y-0.93	G30 (LPG)	4.2 kW	0.35 kW	29	220-240 V

Converting the appliance from liquefied gas to natural gas

The appliance must only be converted to a different type of gas by a licensed expert.

Replacing the nozzles (Fig. 5)

1. Remove pan supports, burner heads and burner lids.
2. Remove the control knobs for the gas burners.
3. Remove heat shields and tempered glass.
4. Loosen and remove the burner nozzles (using a 7 mm socket wrench).
5. Install the burner nozzles from the accessory kit. Make sure that the correct nozzle is used for the appropriate burner.
6. Replace the gas label at the back side of the appliance with the new gas label that was supplied with the nozzle set.

Setting the minimum gas flow (Fig. 6)

1. Refit the control knobs for the gas burners.
2. Refit the burner heads and burner lids.
3. Switch on the gas burners.
4. Turn the control knobs for the gas burners towards the small flame setting.
5. Remove the control knobs for the gas burners.
6. Adjust the bypass screw using a thin screwdriver. Turn the bypass screw clockwise to the end completely. For the standard-output burner, turn the bypass screw anti-clockwise by a half turn. For the three-ring high-output burner (both bypass screws), the two-ring standard-output burner and the the economy burner, turn the bypass screw anti-clockwise by 3/8 of a turn. The result should be a small, stable flame which burns evenly around the entire burner ring. If this is not the case, turn the bypass screw anti-clockwise until you are satisfied with the flame.
Never remove the sealing ring. Sealing rings prevent liquids and dirt from finding their way into the appliance and impairing its ability to function properly.
Never remove the gas tap axle. In the event of damage, the gas valve must be completely replaced.
7. Make sure that the flames do not go out when the control knobs are quickly turned from maximum to minimum position.
8. Refit the control knobs for the gas burners.
9. Switch off the gas burners.
10. Remove the control knobs for the gas burners.
11. Remove burner heads and burner lids.
12. Mount heat shields and tempered glass.
13. Refit the burner heads and burner lids.
14. Refit the pan supports.
15. Refit the control knobs for the gas burners.

Converting the appliance from natural gas to liquefied gas

The appliance must only be converted to a different type of gas by a licensed expert.

Replacing the nozzles (Fig. 5)

1. Remove pan supports, burner heads and burner lids.
2. Remove the control knobs for the gas burners.
3. Remove heat shields and tempered glass.
4. Loosen and remove the burner nozzles (using a 7 mm socket wrench).
5. Install the burner nozzles from the accessory kit. Make sure that the correct nozzle is used for the appropriate burner.
6. Replace the gas label at the back side of the appliance with the new gas label that was supplied with the nozzle set.

Setting the minimum gas flow (Fig. 6)

1. Refit the control knobs for the gas burners.
2. Refit the burner heads and burner lids.
3. Switch on the gas burners.
4. Turn the control knobs for the gas burners towards the small flame setting.
5. Remove the control knobs for the gas burners.
6. Adjust the bypass screw using a thin screwdriver. Turn the bypass screw clockwise as far as it will go. The result should be a small, stable flame which burns evenly around the entire burner ring. If this is not the case, turn the bypass screw anti-clockwise until you are satisfied with the flame.
Never remove the sealing ring. Sealing rings prevent liquids and dirt from finding their way into the appliance and impairing its ability to function properly.
Never remove the gas tap axle. In the event of damage, the gas valve must be completely replaced.
7. Make sure that the flames do not go out when the control knobs are quickly turned from maximum to minimum position.
8. Refit the control knobs for the gas burners.
9. Switch off the gas burners.
10. Remove the control knobs for the gas burners.
11. Remove burner heads and burner lids.
12. Mount heat shields and tempered glass.
13. Refit the burner heads and burner lids.
14. Refit the pan supports.
15. Refit the control knobs for the gas burners.

Removal of hob

Turn off the appliance's electricity and gas supply. Unscrew the clips and proceed in the reverse order to installation.

