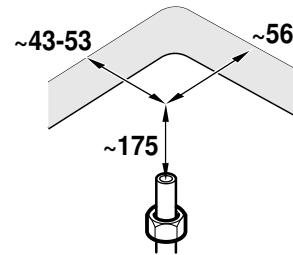
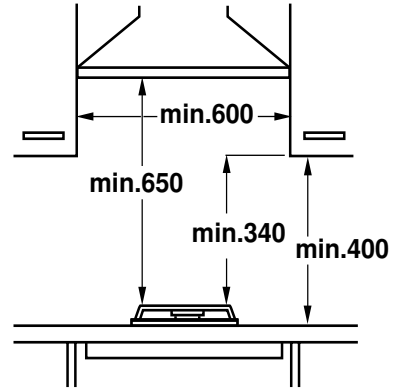
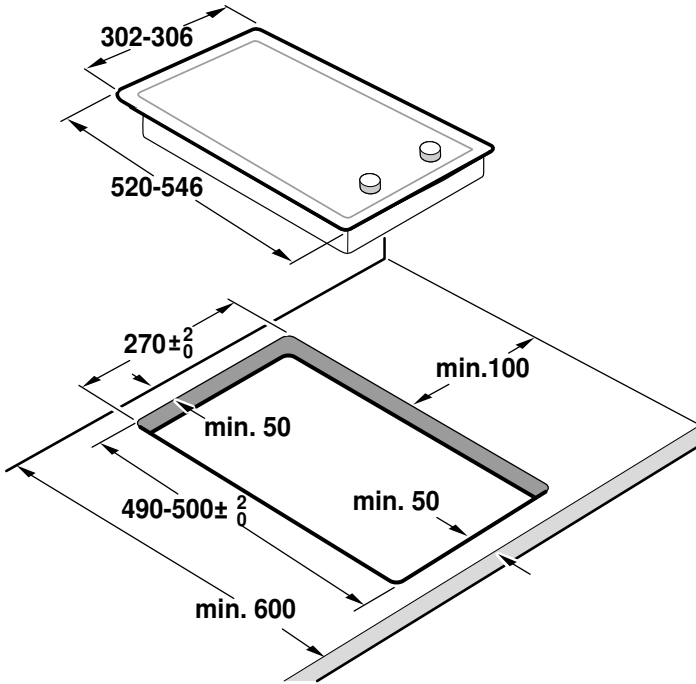
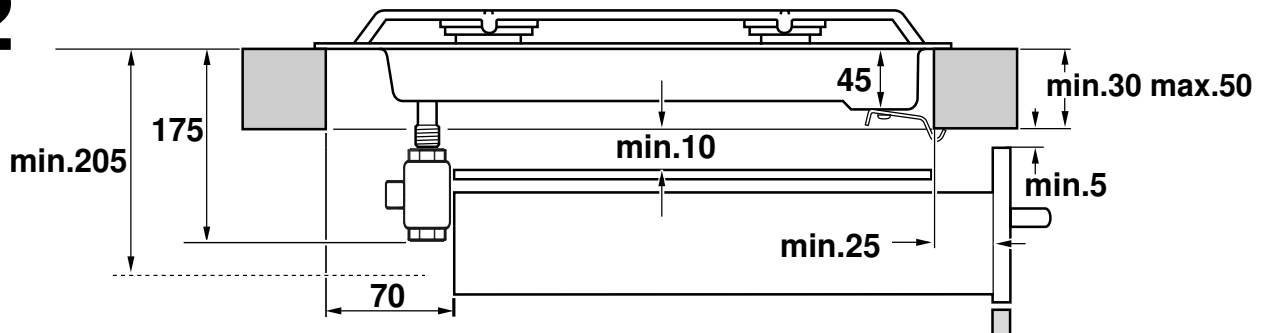


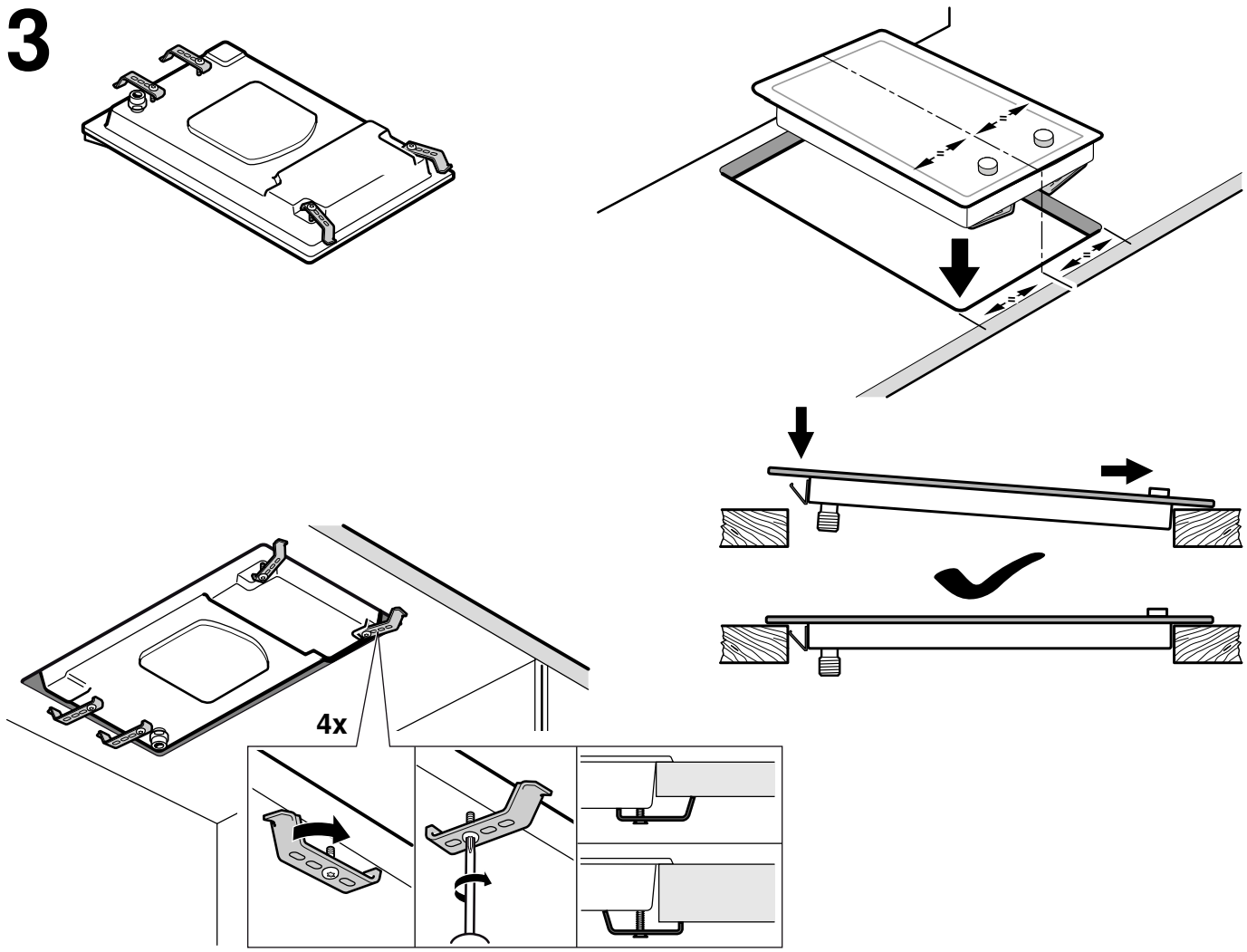
1



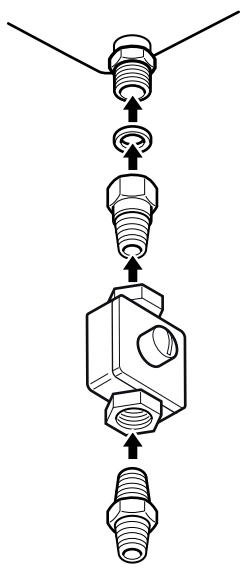
2

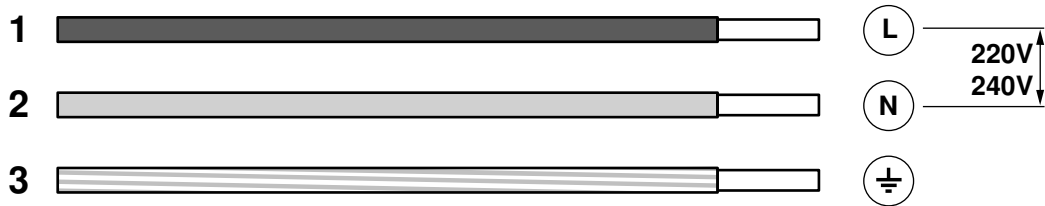


3



4





zh-hk

安全注意事項

在安裝及使用前，請閱讀產品的安裝說明。

在安裝說明上的圖像僅供參考用。

假使不遵守這個手冊上的規定，製造商免除所有的責任。

這個產品必需在良好通風的環境下使用。請勿將它與易燃物品的移除裝置連結。

重要! 香港煤氣接駁

接駁煤氣時須加上外置氣體穩壓器Maxitrol (型號 RV47LM-Rp $\frac{1}{2}$)。

注意!

根據香港氣體安全條例，任何氣體裝置工程，包括爐具和接駁喉管的安裝，必須由註冊氣體裝置技工執行，而該技工已於相關的氣體工程類別註冊及受聘於註冊氣體工程承辦商，並遵守當地氣體和電力供應商所有適用的規定、標準和規範。需特別注意通風規範。

使用認可印有機電工程署批准標記(例如：機電工程署批准EMSD APPROVAL GTXXXX)的氣體接駁喉管連接爐具，或使用機電工程署接納的其他恰當方法。

這個產品僅適於家用；非商業或專業用途使用。這個產品不能在遊艇或旅行拖車內安裝。保修僅在產品適用的用途內生效。

在安裝前，請確認當地的經銷條款是否與該產品在規格牌上的調整相容(氣體種類及氣壓，電源，電壓)。

在開始前，請關掉產品的電源及氣體供給。

供給電纜必需連接到裝置，以避免它觸碰到烤箱或爐具灼熱的部分。

電力供給的產品必需接地。

請勿竄改產品內部。必要的話，請與我們的技術協助人員聯繫。

安裝前

使用組合配件，可以將本產品與設計相近的爐具並排安裝。請參閱目錄以取得詳細資料。

安裝產品的地方必需完全安全且穩定的。

在產品旁的廚房裝置之薄層覆蓋物及膠狀黏附物必需為不可燃的及耐熱的材質。

本產品不能安裝在冰箱，洗衣機，洗碗機或其他類似物品之上。

爐具上方必需安裝通風設備。在安裝手冊查看焗爐尺寸。

若有安裝抽油煙機，您必須遵循安裝說明上的指示保持離爐面的最小垂直距離(圖1)。

準備廚房裝置(圖 1-2)

為工作檯面作適當的尺吋縮減。

假如為電子式或混合式爐具(氣體及電子混合)並底下沒有焗爐，在離爐底下 10 釐米處放置一個不可燃的隔離板(如金屬或膠合板)。如此可避免碰觸爐具底部。若為氣體爐具，建議在相同距離處放置隔板。

在木質工作檯面用特種膠將切口拋光。此舉可保護檯面免受潮，因潮濕會在工作檯面下積聚。

安裝產品(圖3)

提示：請戴上保護手套來安裝爐具。

扣件及黏著的密封(在爐具的下側)為工廠安裝好的。在任何的情況下，請勿移除它們。這個黏著的密封可避免水滲出。

將產品拴牢在安裝的裝置。

1. 將爐具轉至正確的位置。
2. 鬆開托架上的螺絲，讓它們可自由的轉動。您不需要完全卸下托架上的螺絲。
3. 把電器平整地放入切割的部份中。
4. 將托架轉出並鎖緊。托架的螺絲必須和外殼的底部垂直。托架的位置視乎工作檯面的厚度而定。請勿將爐具以砂樹脂固定在工作檯面上。

拆除爐具

關閉產品的電力及氣體供給。

鬆開扣件並進行反向的安裝。

氣體連接(圖4)

氣體連接必需在可接觸關閉閥門的位置。

爐具的接駁喉可允許：

- 固定的連接
- 連接時使用一個可彎曲的管子(L 最小 1 米 | 最大 3 米)

重要! 香港煤氣接駁

接駁煤氣時須加上外置氣體穩壓器Maxitrol (型號 RV47LM-Rp $\frac{1}{2}$)。

型號	操作氣壓
PRA3A6B70X ER3A6AB70X	11毫巴
PRB3A6B70X PRB3B6B70X ER3A6BB70X ER3B6BB70X	8毫巴

請務必避免管子與活動的廚房裝置組件接觸(如抽屜)以及避免接近任何阻塞的空間。

如果您必須橫向連接煤氣供應，我們的技術援助服務中心可以向您提供L管(代碼631715)及密封條(代碼034308)。

△ 洩漏危險!!

假使操作任何的連結處，請檢查密封墊。

若因操作而產生任何連接上的洩漏，製造商將不負責。

供電連接(圖5)

產品為“Y”類：供給電纜僅能由技術協助人員變更，而非使用者。務必遵照電纜種類及最小橫截面。

爐具附有一條電源線，但不一定配有牆用插頭。

附有插頭的產品只可以連接到有正確安裝地線的插座。

提供一隻最少接觸分離3mm的單極切斷開關(如用戶接觸它，插頭連接除外)。

en

Safety precautions

Read the appliance's instructions before installing and using. The images shown in these instructions are for guidance only.

The manufacturer is exempt from all responsibility if the requirements of this manual are not complied with.

This appliance must only be used in well ventilated places. It must not be connected to a combustion product removal device.

IMPORTANT: HK Town Gas connection!

External Gas Governor Maxitrol RV47LM-Rp 1/2" must be installed.

Attention!

According to the Gas Safety Ordinance of Hong Kong, any gas installation works including the installation of appliances and connection tubing, must be undertaken by registered gas installers who are registered for that appropriate classes and be employed by registered gas contractors, respecting all applicable regulations, standards and the specifications of the local gas and electricity suppliers. Special attention shall be paid to ventilation regulations.

Use approved gas tubing bearing EMSD approval marking (such as: 機電工程署批准EMSD APPROVAL GTXXXX) for connection to appliances, or other appropriate methods accepted by EMSD.

This appliance has been designed for home use only, not for commercial or professional use. This appliance cannot be installed

on yachts or in caravans. The warranty will only be valid if the appliance is used for the purpose for which it was designed.

Before installing, you need to check that local distribution conditions are compatible with the appliance's adjustment indicated on the specifications plate (gas type and pressure, power, voltage).

Before you begin, turn off the appliance's electricity and gas supply.

The supply cable must be attached to the unit to prevent it from touching hot parts of the oven or hob.

Appliances with electrical supply must be earthed.

Do not tamper with the appliance's interior. If necessary, call our Technical Assistance Service.

Before installing

These appliances can be combined with conventional hobs of the same make, using the joint accessory. See the catalogue for details.

The kitchen unit in which the appliance is installed must be properly secured and stable.

The kitchen units next to the appliance, the laminated covering and glue for adhering it must be made of non-flammable and heat-resistant materials.

This appliance cannot be installed above fridges, washing machines, dishwashers or similar.

An oven must have forced ventilation to install a hob above it. Check the dimensions of the oven in the installation manual.

If an extractor fan is installed, you must follow the instructions in the installation manual, always respecting the minimum vertical distance from the hob (fig. 1).

Preparation of the kitchen unit (fig. 1-2)

Make an appropriate size cut in the work surface.

If the hob is electric or mixed (gas and electricity) and there is no oven below, place a non-flammable separator (e.g. metal or plywood) 10 mm from the bottom of the hob. This will prevent access to the base of the hob. If the hob is gas, it is recommendable to place the separator at the same distance.

Seal all work surfaces made of wood with special sealer/glue to protect it against moisture damage.

Installation of appliance (fig. 3)

Note: Wear protective gloves to fit the hob.

The clips and adhesive seal (underside of the hob) are factory-fitted: Do not remove these under any circumstances: The adhesive seal prevents water seepage.

Securing the appliance to the fitted unit:

1. Turn the hob into the correct position.
2. Loosen the screws on the brackets so they can turn freely. You do not need to fully undo the screws on the brackets.
3. Insert the appliance evenly into the cut-out.
4. Turn the brackets and tightly screw them in. The screws for the brackets must be vertical to the base of the housing.

The position of the brackets depends on the worktop thickness.

Do not stick the hob onto the worktop with silicone.

Removal of hob

Turn off the appliance's electricity and gas supply.

Unscrew the clips and proceed in the reverse order to installation.

Gas connection (fig. 4)

The gas connection must be located in a position where the stop tap is accessible.

The end of the inlet connection point of the gas hob allows for:

- A fixed connection.
- Connection using a flexible pipe (L min. 1 m - max. 3 m).

IMPORTANT: HK Town Gas connection!

External Gas Governor Maxitrol RV47LM-Rp 1/2" must be installed.

You must prevent the pipe from coming into contact with moving parts of the kitchen unit (for example, a drawer) and prevent access to any spaces which might become obstructed.

If you need to connect the gas supply horizontally, our Technical Assistance Service can supply you with an elbow (code 631715) and a seal (code 034308).

⚠ Danger of leaks!

If any connection is handled, check the seal.

The manufacturer is not liable for any connection leaking, after being handled.

Electric connection (fig. 5)

This appliance is type "Y": the supply cable can only be changed by the Technical Assistance Service and not the user. The cable type and minimum cross-section must be respected.

The hobs are supplied with a power cable with or without a wall socket plug.

Appliances with plugs must only be connected to sockets that have earth wires correctly installed.

Provide an omnipolar cut-off switch with a minimum contact opening of 3 mm (except for plug connections, if the user has access to it).

Model	Working pressure
-------	------------------

PRA3A6B70X ER3A6AB70X	11 mbar
--------------------------	---------

PRB3A6B70X PRB3B6B70X ER3A6BB70X ER3B6BB70X	8 mbar
--	--------