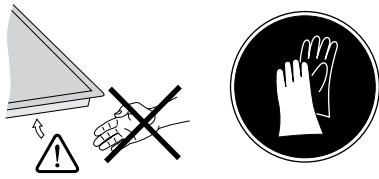
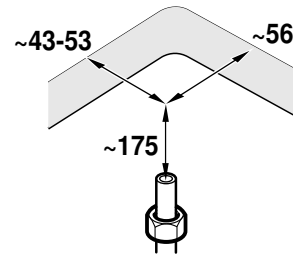
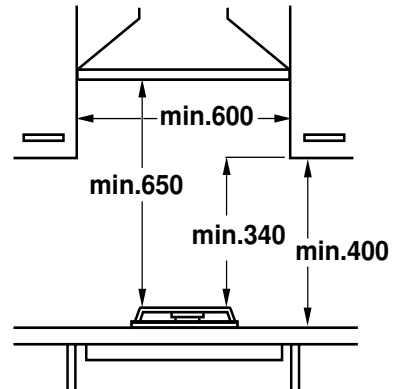
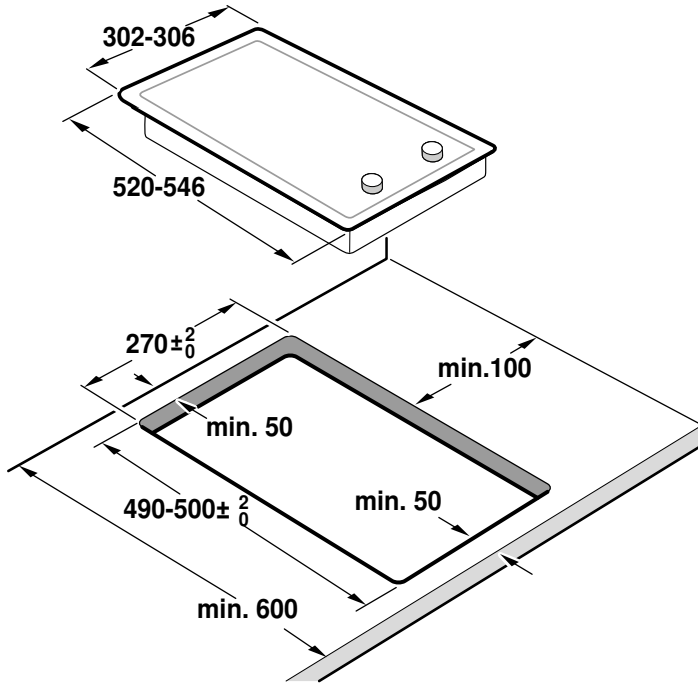




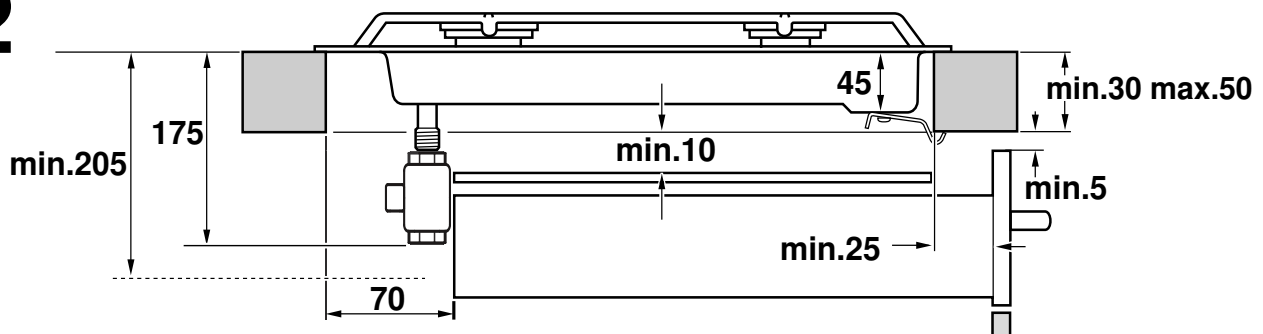
en Installation instructions



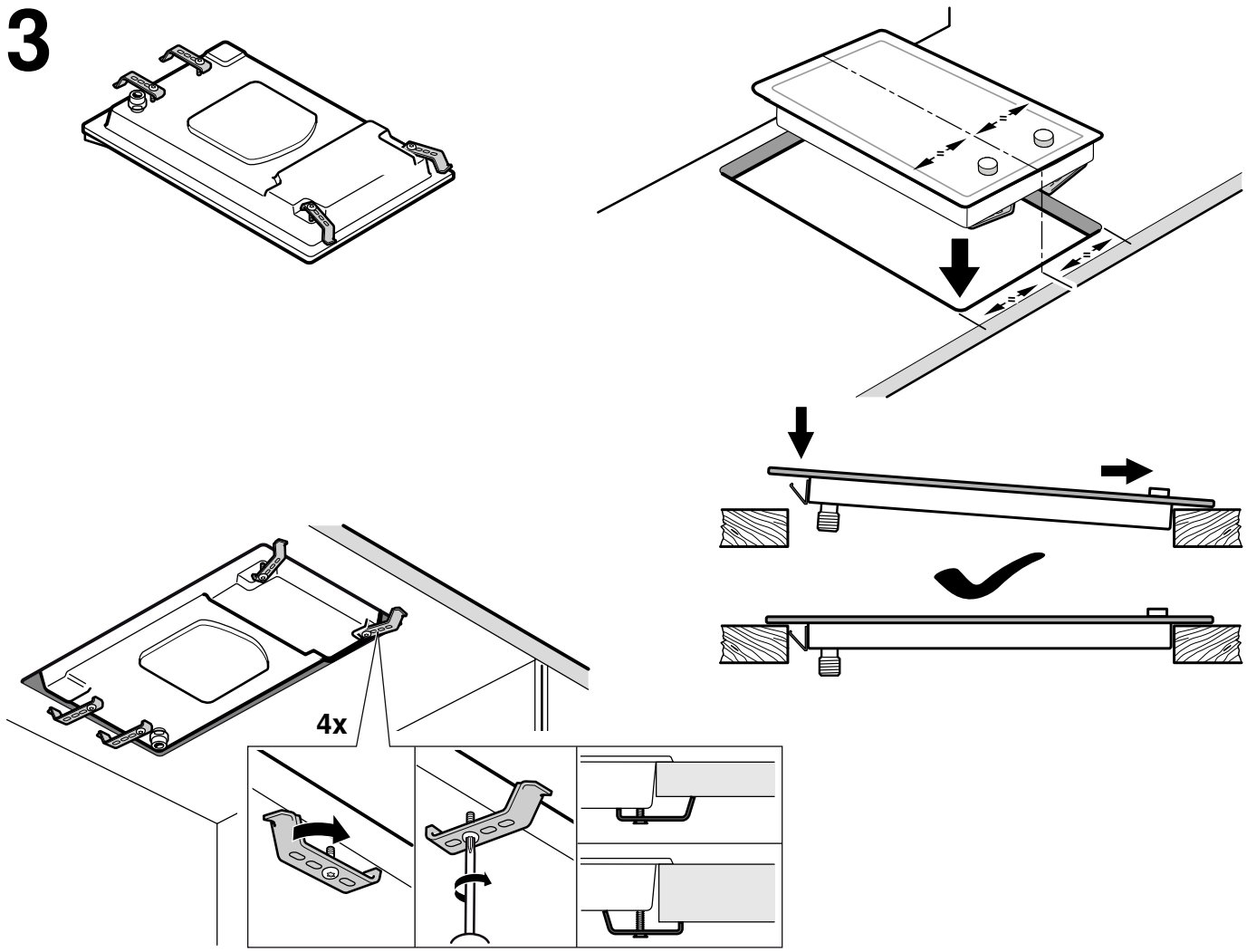
1



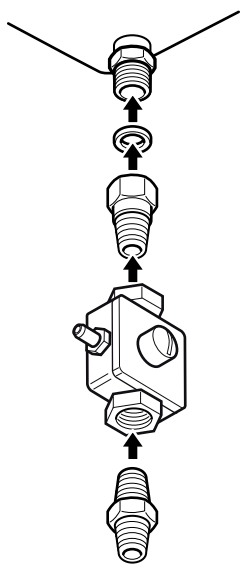
2



3



4



5

220V - 240V ~



en

Safety precautions

Read the appliance's instructions before installing and using. The images shown in these instructions are for guidance only.

The manufacturer is exempt from all responsibility if the requirements of this manual are not complied with.

This appliance must only be used in well ventilated places. It must not be connected to a combustion product removal device.

IMPORTANT: Town Gas connection!

The supplied governor must be installed. The working pressure is 8 mbar.

All operations relating to installation, connection, regulation and conversion to other gas types must be carried out by an authorised installation engineer, respecting all applicable regulations, standards and the specifications of the local gas and electricity suppliers. Special attention shall be paid to ventilation regulations.

This appliance has been designed for home use only, not for commercial or professional use. This appliance cannot be installed on yachts or in caravans. The warranty will only be valid if the appliance is used for the purpose for which it was designed.

Before installing, you need to check that local distribution conditions are compatible with the appliance's adjustment indicated on the specifications plate (gas type and pressure, power, voltage).

Before you begin, turn off the appliance's electricity and gas supply.

The supply cable must be attached to the unit to prevent it from touching hot parts of the oven or hob.

Appliances with electrical supply must be earthed.

Do not tamper with the appliance's interior. If necessary, call our Technical Assistance Service.

Before installing

This appliance is class 3 type, according to the EN 30-1-1 regulation for gas appliances: built-in appliance.

These appliances can be combined with conventional hobs of the same make, using the joint accessory. See the catalogue for details.

The kitchen unit in which the appliance is installed must be properly secured and stable.

The kitchen units next to the appliance, the laminated covering and glue for adhering it must be made of non-flammable and heat-resistant materials.

This appliance cannot be installed above fridges, washing machines, dishwashers or similar.

An oven must have forced ventilation to install a hob above it. Check the dimensions of the oven in the installation manual.

If an extractor fan is installed, you must follow the instructions in the installation manual, always respecting the minimum vertical distance from the hob (fig. 1).

Preparation of the kitchen unit (fig. 1-2)

Make an appropriate size cut in the work surface.

If the hob is electric or mixed (gas and electricity) and there is no oven below, place a non-flammable separator (e.g. metal or plywood) 10 mm from the bottom of the hob. This will prevent access to the base of the hob. If the hob is gas, it is recommendable to place the separator at the same distance.

Seal all work surfaces made of wood with special sealer/glue to protect it against moisture damage.

Installation of appliance (fig. 3)

Note: Wear protective gloves to fit the hob.

The clips and adhesive seal (underside of the hob) are factory-fitted: Do not remove these under any circumstances: The adhesive seal prevents water seepage.

Securing the appliance to the fitted unit:

1. Turn the hob into the correct position.
2. Loosen the screws on the brackets so they can turn freely. You do not need to fully undo the screws on the brackets.
3. Insert the appliance evenly into the cut-out.
4. Turn the brackets and tightly screw them in. The screws for the brackets must be vertical to the base of the housing.

The position of the brackets depends on the worktop thickness. Do not stick the hob onto the worktop with silicone.

Removal of hob

Turn off the appliance's electricity and gas supply.

Unscrew the clips and proceed in the reverse order to installation.

Gas connection (fig. 4)

The gas connection must be located in a position where the stop tap is accessible.

IMPORTANT: Town Gas connection!

The supplied governor must be installed. The working pressure is 8 mbar.

You must prevent the pipe from coming into contact with moving parts of the kitchen unit (for example, a drawer) and prevent access to any spaces which might become obstructed.

If you need to connect the gas supply horizontally, our Technical Assistance Service can supply you with an elbow (code 631715) and a seal (code 034308).

⚠ Danger of leaks!

If any connection is handled, check the seal.

The manufacturer is not liable for any connection leaking, after being handled.

Electric connection (fig. 5)

This appliance is type "Y": the supply cable can only be changed by the Technical Assistance Service and not the user. The cable type and minimum cross-section must be respected.

The hobs are supplied with a power cable with or without a wall socket plug.

Appliances with plugs must only be connected to sockets that have earth wires correctly installed.

Provide an omnipolar cut-off switch with a minimum contact opening of 3 mm (except for plug connections, if the user has access to it).