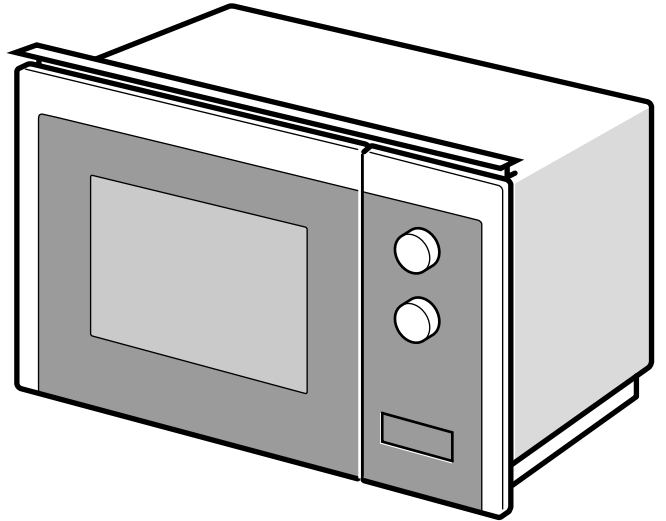
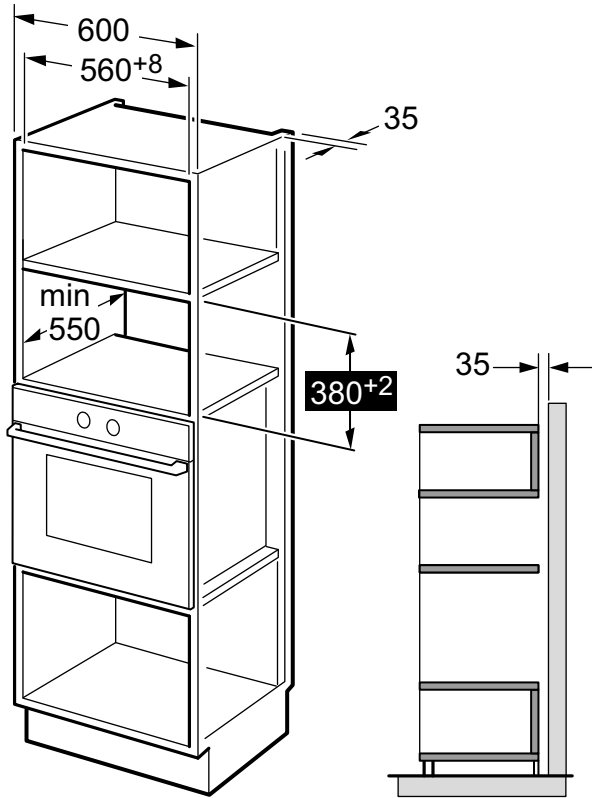
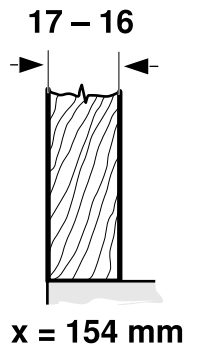
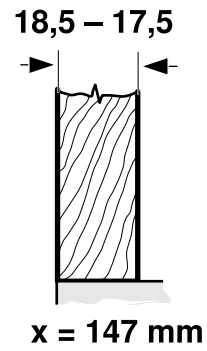
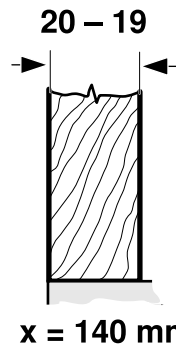
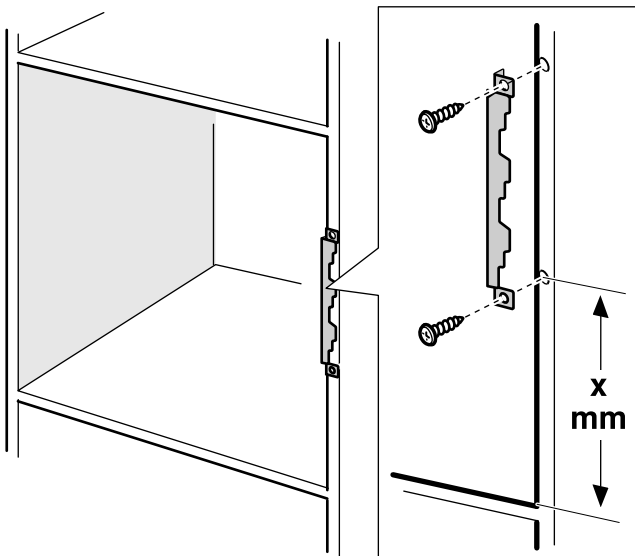
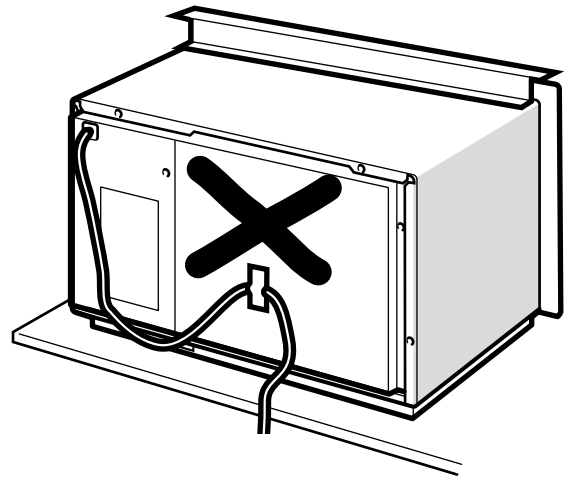
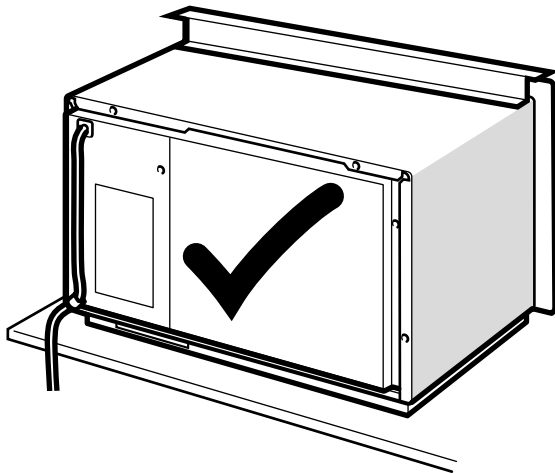
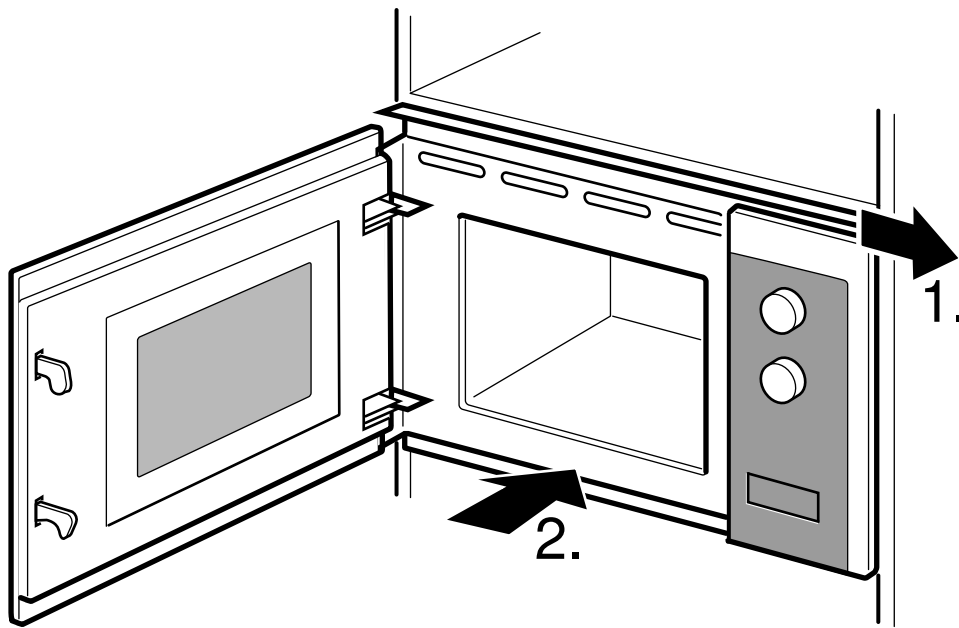
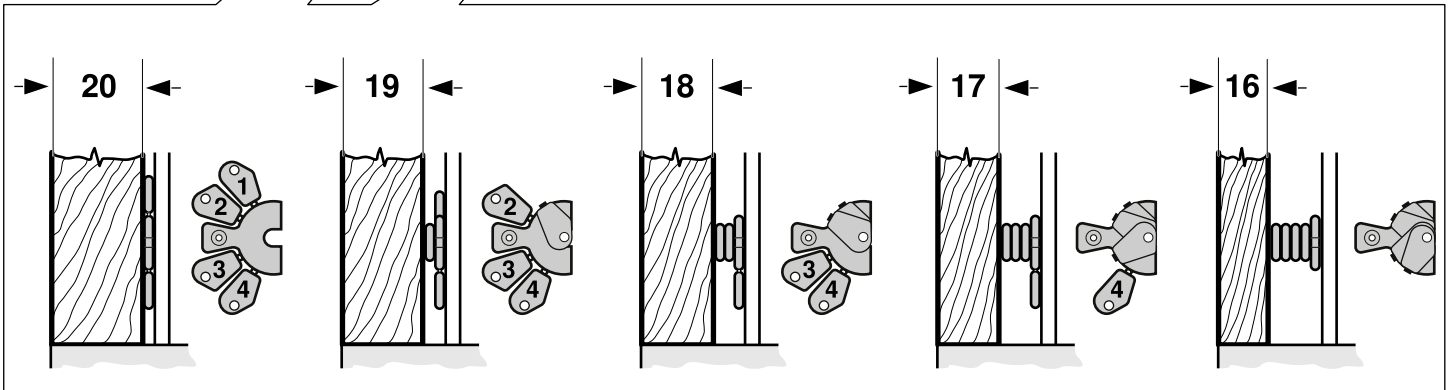
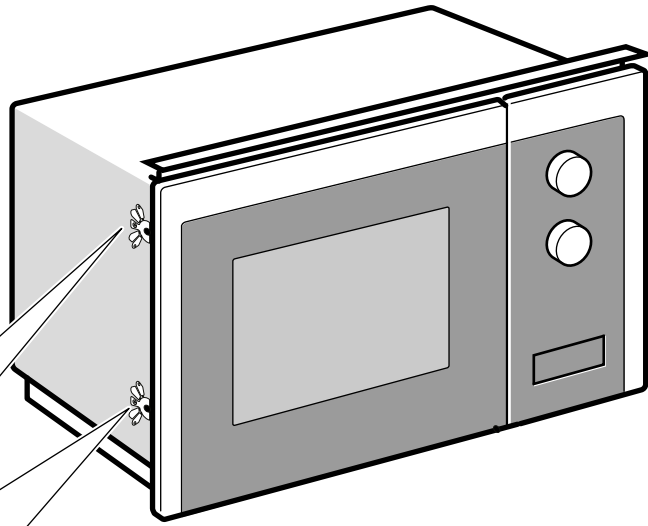


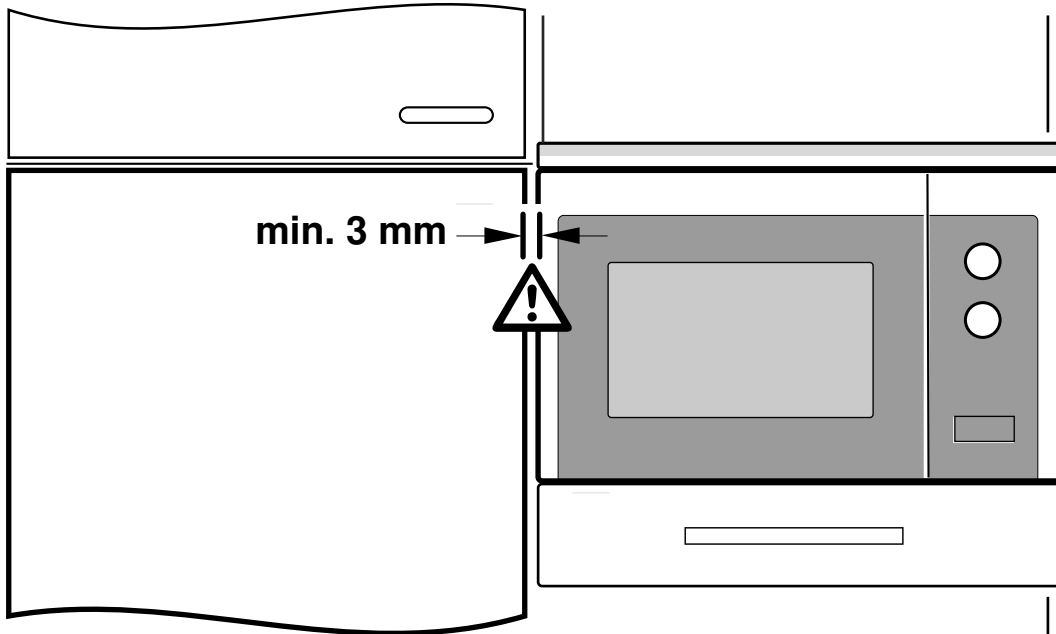
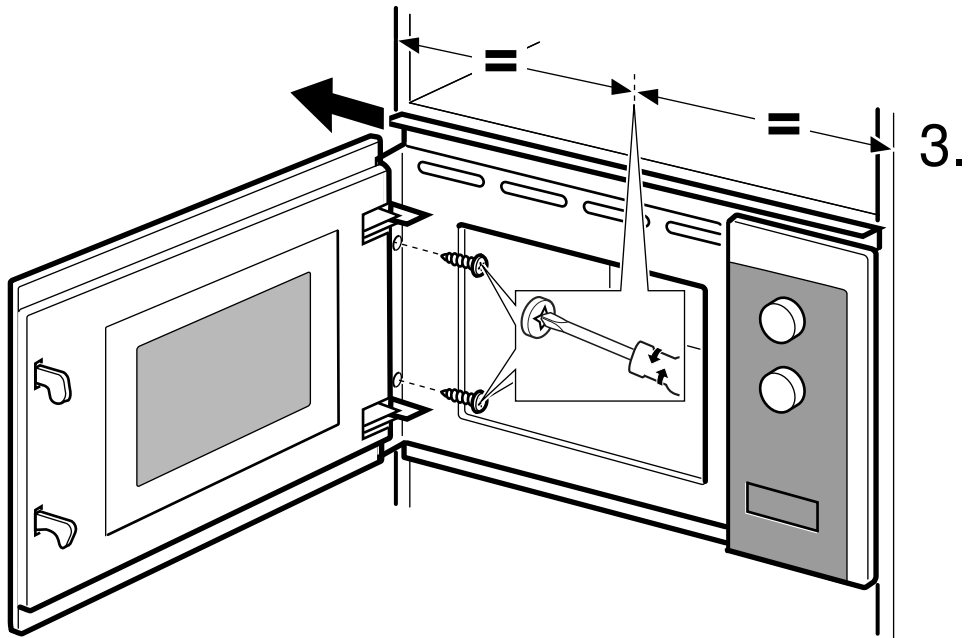
1



2







The following must be noted:

- The safe operation of this appliance can only be guaranteed if it has been installed to a professional standard in accordance with these installation instructions. The installer shall be liable for any damage resulting from incorrect installation.
- Check the appliance for damage after unpacking it. Do not connect the appliance if it has been damaged in transit.
- Proceed in accordance with the installation sheets for installing accessories.
- Before starting up the appliance, remove any packaging material and adhesive film from the cooking compartment and the door.
- Fitted units must be heat-resistant up to 90 °C, and adjacent unit fronts up to 70 °C.
- Do not install the appliance behind a decorative panel, as this puts the appliance at risk of overheating.
- Any cut-outs that need to be made in the units should be made before the appliance is installed. Remove any shavings, as they may prevent the electrical components from working properly.
- Wear protective gloves so that you do not cut yourself. Parts that are accessible during installation may have sharp edges.
- The dimensions in the figures are in mm.

Electrical connection

The appliance is ready to be plugged in and may only be connected to a protective contact socket that has been correctly installed. Only a qualified electrician may install a socket or replace the connecting cable, taking the appropriate regulations into account. If the plug is no longer accessible once the appliance has been installed, an all-pin isolating switch with a contact gap of at least 3 mm must be provided for the wiring. When the appliance is installed, protection must be provided against accidental contact in the future.

Fitted units

The installation cabinet must not have a back panel behind the appliance. Minimum installation height: 850 mm. Ventilation slots and intakes must not be covered.

Installing the oven - Fig. 2

Note: Do not trap or kink the mains lead.

必须注意下列事项:

- 只有根据本安装说明的专业标准进行安装，才能确保本电器安全工作。由于安装不当导致的损坏，应由安装人员承担责任。
- 拆包后请检查电器是否有损坏。如果电器在运输过程中损坏，请勿连接。
- 请按照安装文件进行配件安装。
- 开始启动电器前，请先取出烹饪箱中和电器门上的包装材料和胶膜。
- 所安装的橱柜必须能够承受高达 90 °C 的温度，相邻橱柜的面板能够承受高达 70 °C 的温度。
- 切勿将电器安装在装饰面板后面，因为这会造成电器过热的风险。
- 任何需要在橱柜上开的开孔应在安装电器备好。清除刨花，因为刨花可能会妨碍电气部件正常工作。
- 请戴上防护手套，避免割伤自己。在安装过程中碰得到的部件可能具有锋利的边缘。
- 示意图中的尺寸单位为 mm。

电气连接

电器为即插即用式，只能连接至安装正确的带保护触点的插座。只能由合格的电工安装插座或更换电源线，并要遵守适用的规定。安装电器后，如果插头使用不便，则必须在安装侧安装一个全电极隔离开关，触点间隙至少为 3 mm。进行电器安装时，必须提供防止日后出现意外接触的保护措施。

安装橱柜

安装橱柜在电器后方不得有后壁。最小安装高度：850 mm。不得遮盖通风槽和进气口。

安装烤箱 - 图 2

提示：请勿缠绕或扭结电源线。

