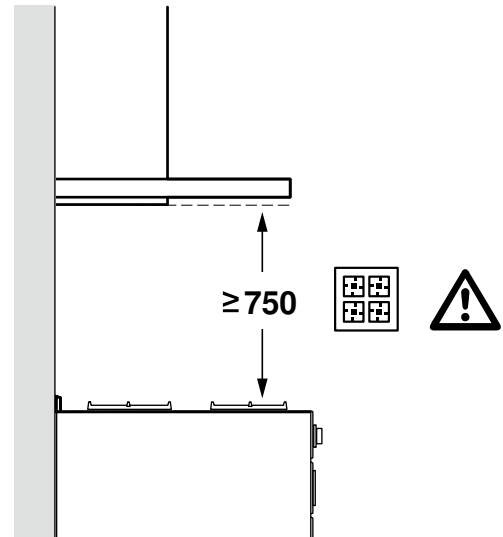
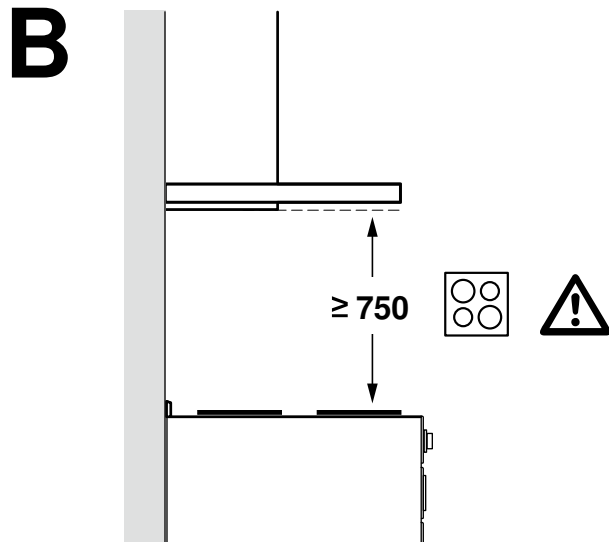
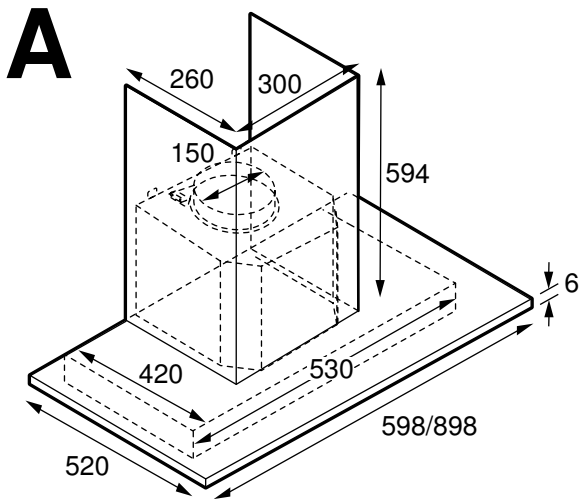
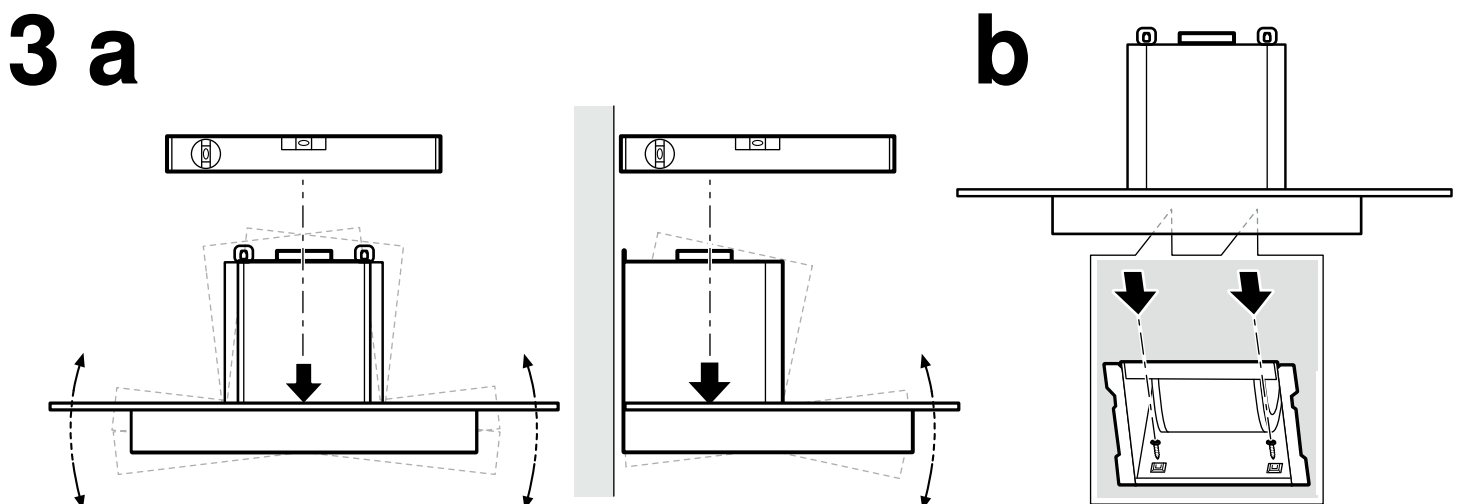
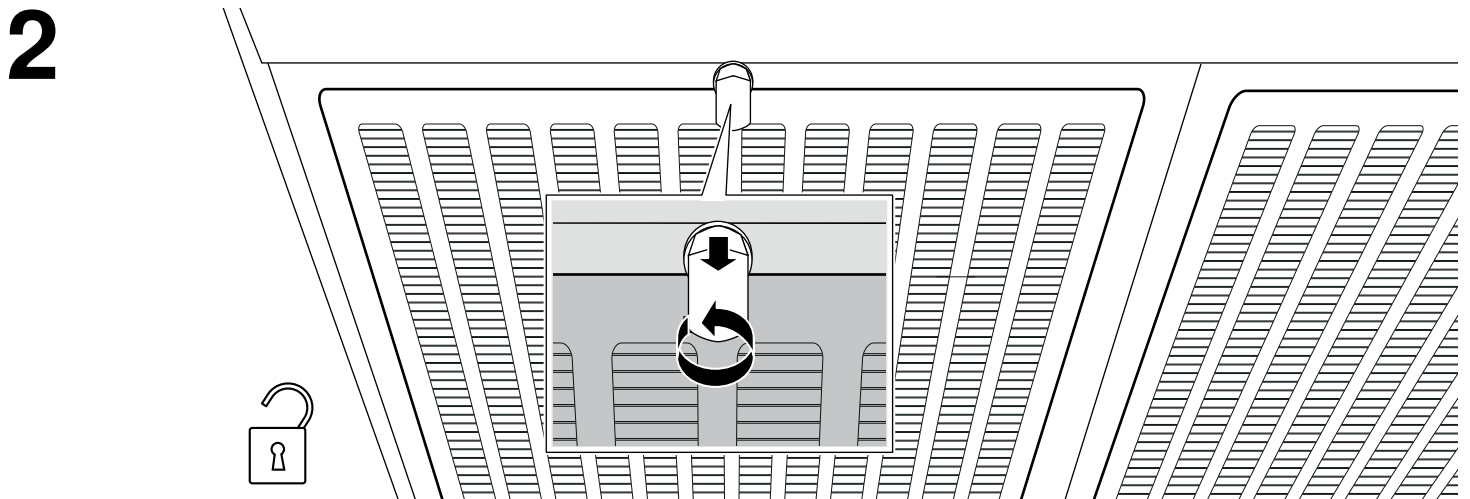
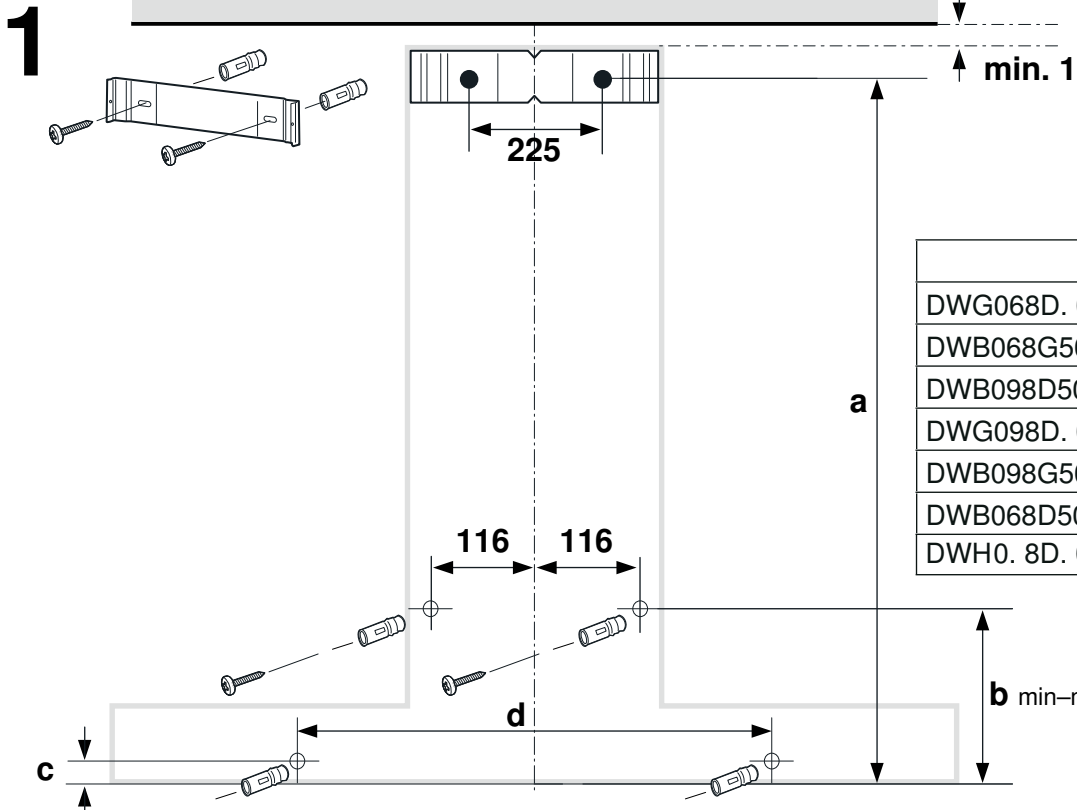
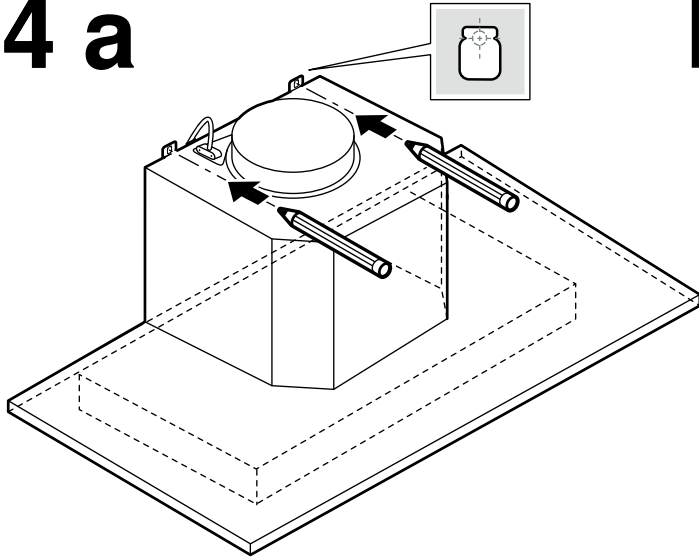


- 2 x
- 6 x
- 6 x
- 2 x

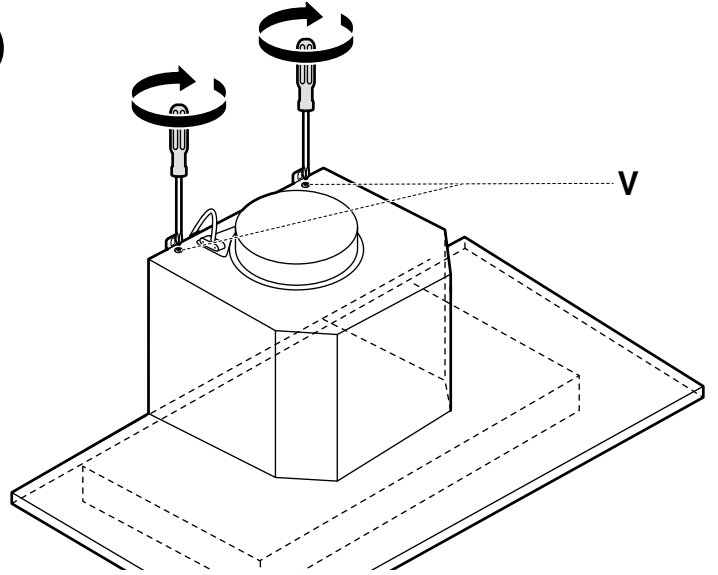




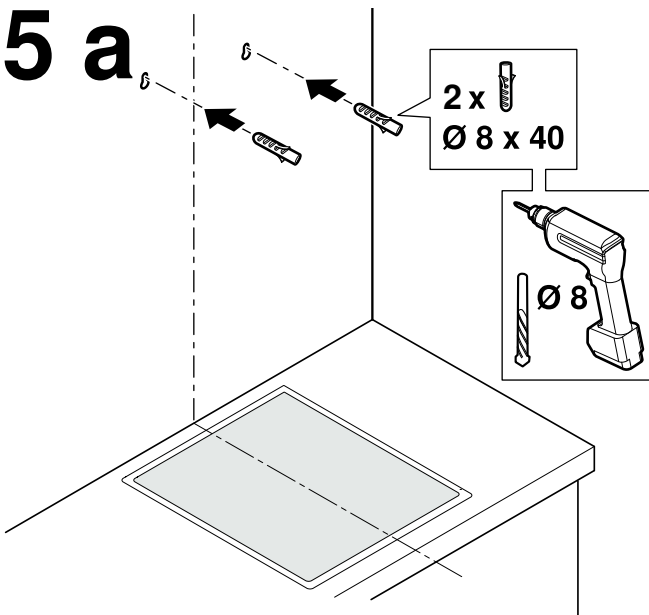
4 a



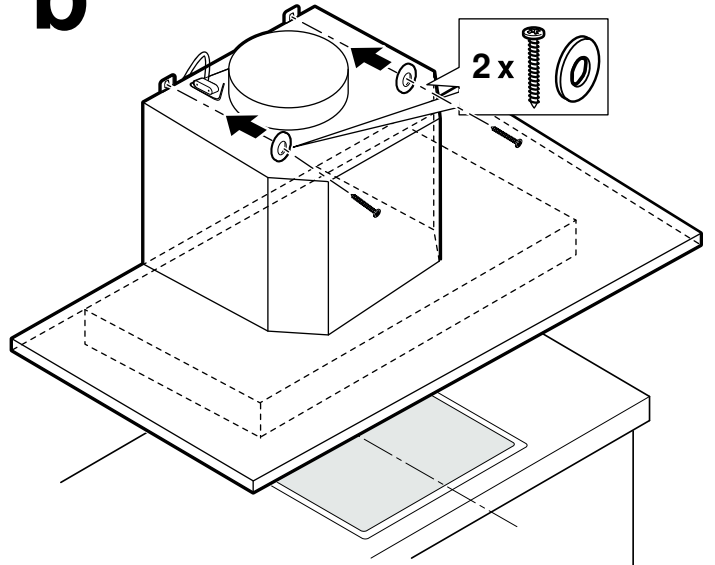
b



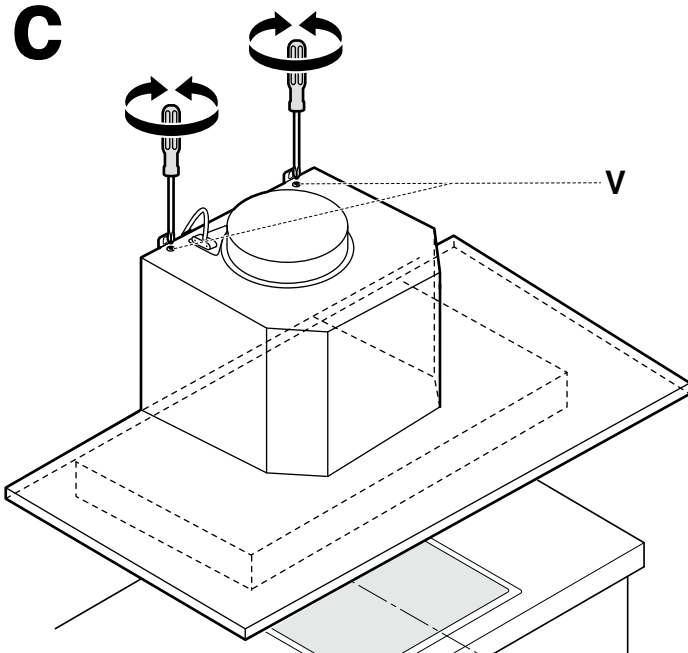
5 a



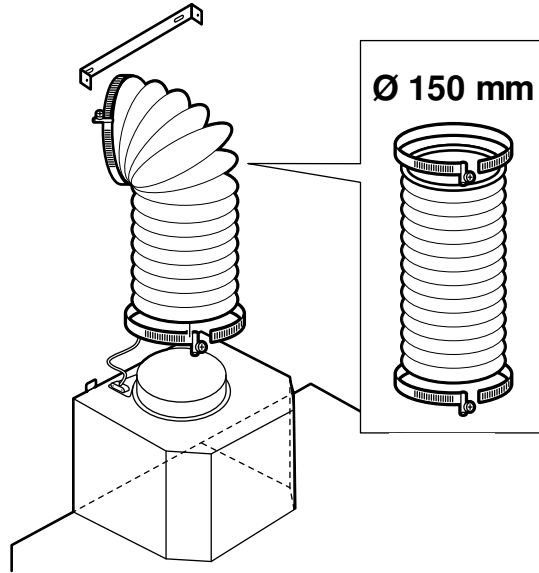
b



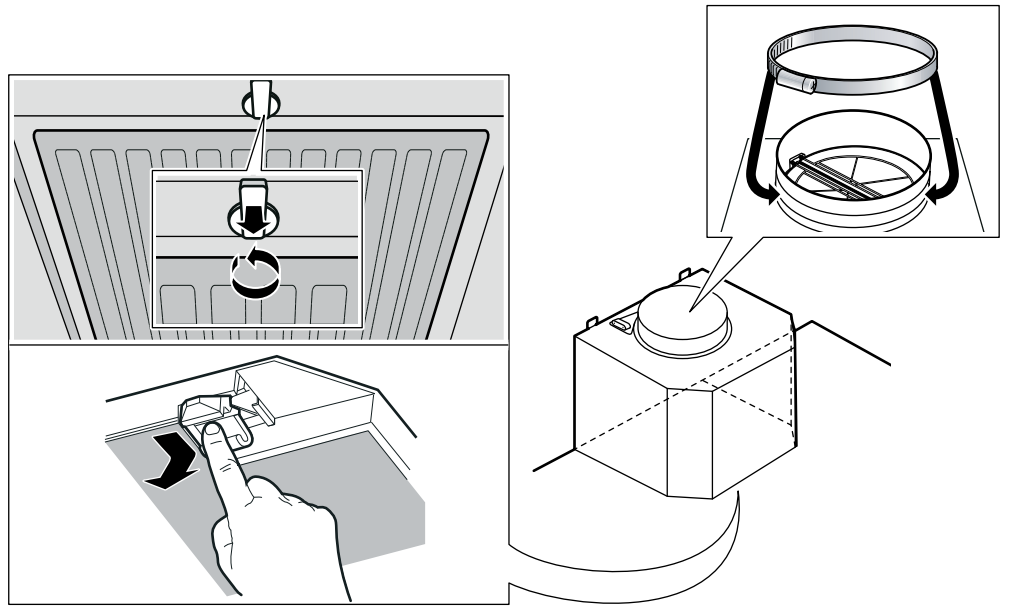
c



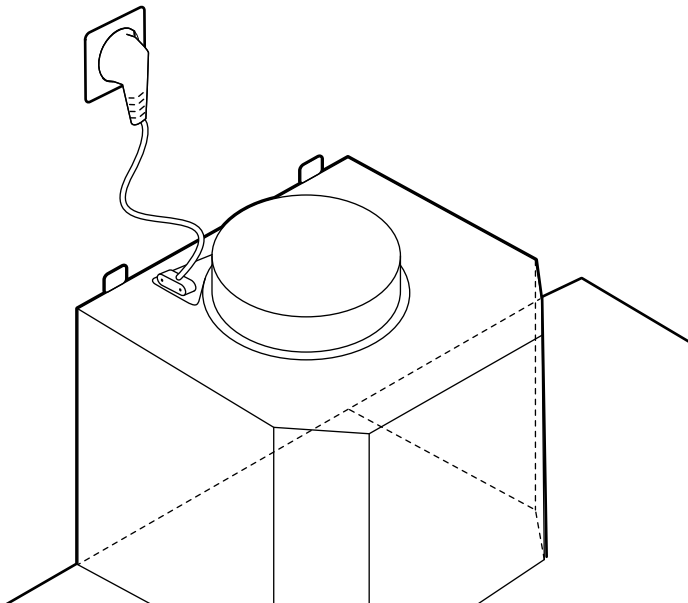
6 a



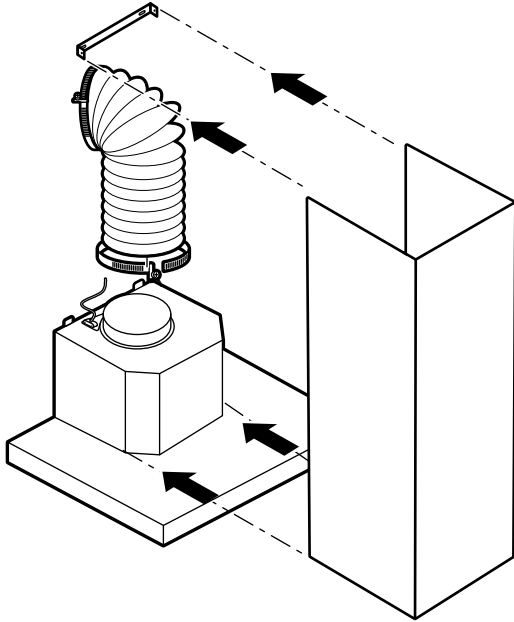
b



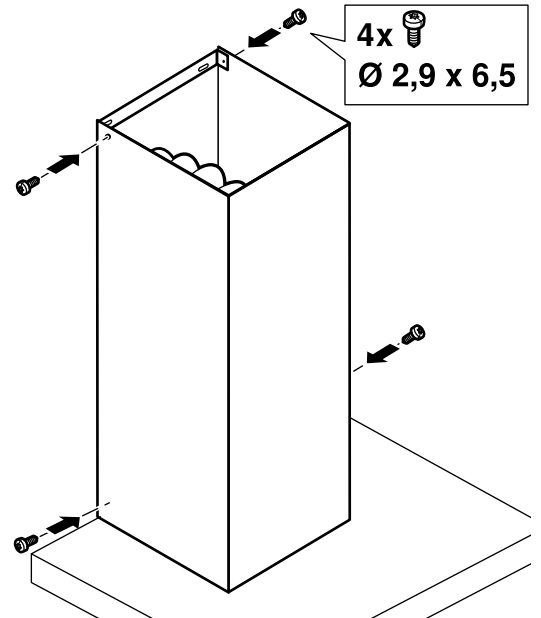
7



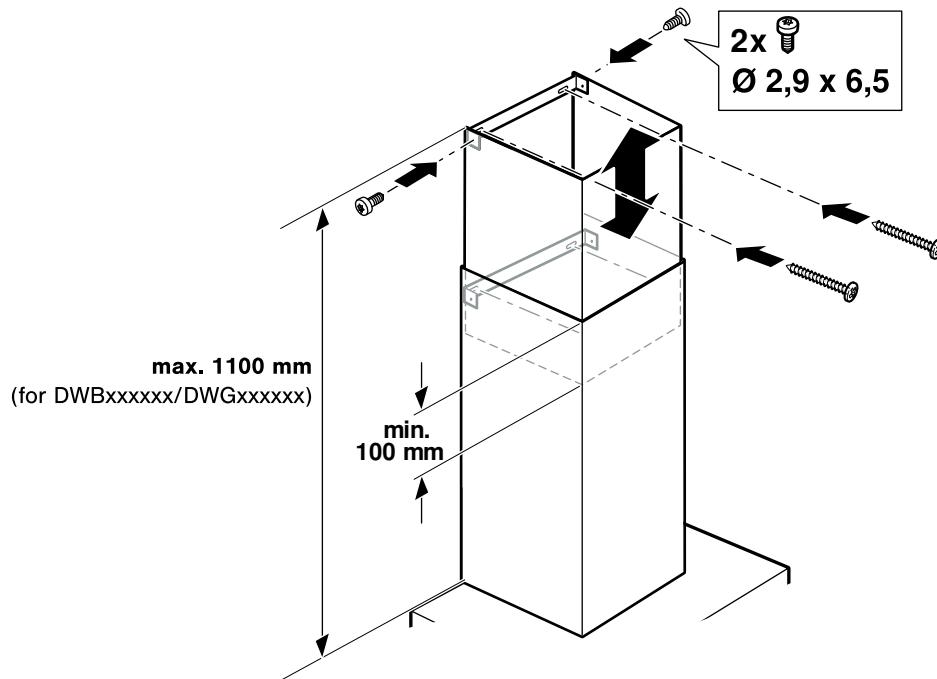
8 a



b



9



⚠ Important safety information

Read these instructions carefully. Only then will you be able to operate your appliance safely and correctly. Retain the instruction manual and installation instructions for future use or for subsequent owners.

Check the appliance for damage after unpacking it. Do not connect the appliance if it has been damaged in transport.

The appliance can only be used safely if it is correctly installed according to the safety instructions. The installer is responsible for ensuring that the appliance works perfectly at its installation location.

The width of the extractor hood must correspond at least with the width of the hob.

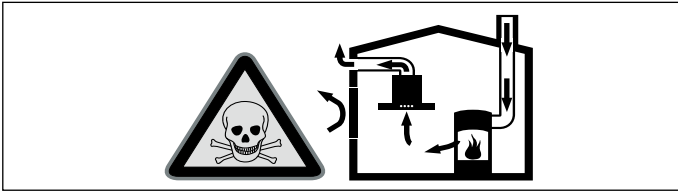
For the installation, observe the currently valid building regulations and the regulations of the local electricity and gas suppliers.

When conveying the exhaust air, official and legal regulations (e.g. state building regulations) must be followed.

Danger of death!

Risk of poisoning from flue gases that are drawn back in.

Always ensure adequate fresh air in the room if the appliance is being operated in exhaust air mode at the same time as room air-dependent heat-producing appliance is being operated.



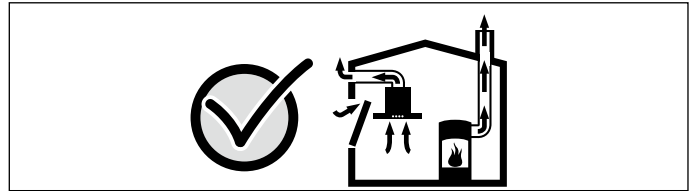
Room air-dependent heat-producing appliances (e.g. gas, oil, wood or coal-operated heaters, continuous flow heaters or water heaters) obtain combustion air from the room in which they are installed and discharge the exhaust gases into the open air through an exhaust gas system (e.g. a chimney).

In combination with an activated vapour extractor hood, room air is extracted from the kitchen and neighbouring rooms - a partial vacuum is produced if not enough fresh air is supplied. Toxic gases from the chimney or the extraction shaft are sucked back into the living space.

- Adequate incoming air must therefore always be ensured.
- An incoming/exhaust air wall box alone will not ensure compliance with the limit.

Safe operation is possible only when the partial vacuum in the place where the heat-producing appliance is installed does not exceed 4 Pa (0.04 mbar). This can be achieved when the air needed for combustion is able to enter through openings that cannot be sealed, for example in

doors, windows, incoming/exhaust air wall boxes or by other technical means.



In any case, consult your responsible Master Chimney Sweep. He is able to assess the house's entire ventilation setup and will suggest the suitable ventilation measures to you.

Unrestricted operation is possible if the vapour extractor hood is operated exclusively in the circulating-air mode.

Risk of death!

Risk of poisoning from flue gases that are drawn back in. The exhaust air must not be conveyed into a functioning smoke or exhaust gas flue or into a shaft which is used to ventilate installation rooms that contain heating appliances. If the exhaust air is to be conveyed into a non-functioning smoke or exhaust gas flue, you must obtain the consent of the heating engineer responsible.

Danger of suffocation!

Packaging material is dangerous to children. Never allow children to play with packaging material.

Risk of electric shock!

Components inside the appliance may have sharp edges. These may damage the connecting cable. Do not kink or pinch the connecting cable during installation.

Risk of fire!

- Fatty deposits in the grease filter may catch fire. The specified safety clearances must be complied with in order to prevent a build-up of heat. Refer to the information provided for your cooker. If gas and electric hobs are being operated together, the largest specified clearance applies.
- The appliance must be installed with no more than one side directly next to a high-sided unit or a wall. The clearance between the appliance and the wall or high-sided unit must be at least 500 mm.
- Grease deposits in the grease filter may catch fire. Never work with naked flames close to the appliance (e.g. flambéing). Do not install the appliance near a heat-producing appliance for solid fuel (e.g. wood or coal) unless a closed, non-removable cover is available. There must be no flying sparks.

Risk of injury!

- Components inside the appliance may have sharp edges. Wear protective gloves.
- The appliance may fall down if it has not been properly fastened in place. All fastening components must be fixed firmly and securely.

- Changes to the electrical or mechanical assembly are dangerous and may lead to malfunctions. Do not make any changes to the electrical or mechanical assembly.

General information

The surfaces of the appliance are easily damaged. Avoid damaging them during installation.

Exhaust air mode

Note: The air must not be discharged into a flue that is used for exhausting fumes from appliances burning gas or other fuels (not applicable to appliances that only discharge the air back into the room).

- Before conveying the exhaust air into a non-functioning smoke or exhaust gas flue, obtain the consent of the heating engineer responsible.
- If the exhaust air is conveyed through the outer wall, a telescopic wall box should be used.

Exhaust duct

Note: The device manufacturer does not assume any warranty for complaints attributable to the pipe section.

- The device achieves its optimum performance by means of a short, straight exhaust air pipe and as large a pipe diameter as possible.
- As a result of long rough exhaust air pipes, many pipe bends or pipe diameters that are smaller than 150 mm, the optimum extraction performance is not achieved and fan noise is increased.
- The pipes or hoses for laying the exhaust air line must consist of non-combustible material.

Round pipes

An inner diameter of 150 mm, but at least 120 mm, is recommended.

Flat ducts

The inner cross-section must correspond to the diameter of the round pipes.

dia. 150 mm ca. 177 cm²

dia. 120 mm ca. 113 cm²

- Flat ducts should not have any sharp deflections.
- Use sealing strips for deviating pipe diameters.

Circulating-air mode

Note: The appliance must only be operated when it is securely installed and the pipework is connected.

Electrical connection

⚠ Risk of electric shock!

Components inside the appliance may have sharp edges. These may damage the connecting cable. Do not kink or pinch the connecting cable during installation.

The required connection data can be found on the rating plate inside the appliance; to do this, remove the metal mesh grease filter.

This appliance complies with the EC interference suppression regulations.

This appliance may be connected to a correctly installed earthed socket only.

Attach the earthed socket preferably inside the flue duct.

- The earthed socket should be connected via its own circuit.
- If the earthed socket is no longer accessible following installation of the appliance, a disconnecter must be fitted as for a permanent connection.

If a permanent connection is required, the installation must feature an all-pole disconnecter (circuit breakers, fuses and contactors) with a min. 3 mm contact opening. The permanent connection may be installed by an electrician only.

Preparing for installation

Checking the wall

- The wall must be level, vertical and adequately load-bearing.
- The depth of the bore holes must be the same length as the screws. The wall plugs must have a secure grip.
- The enclosed screws and wall plugs are suitable for solid brickwork. Suitable fasteners must be used for other structures (e.g. plasterboard, porous concrete, porcelain bricks).
- The maximum weight of the extractor hood is **16 kg**.

Appliance dimensions and safety clearances

- Observe the appliance's dimensions. (**Fig. A**)
- Comply with the safety clearances. (**Fig. B**)

If the installation instructions for the gas cooking appliance specify a different distance, the larger of the two must always be provided for.

Preparing the wall

Caution!

Ensure that there are no electric wires, gas or water pipes in the area where holes are to be made.

1. Mark a vertical centre line on the wall from the ceiling to the lower edge of the extractor hood. (**Fig. 1**)
2. Mark holes for the angle brackets in the flue. The centre of the angle brackets is marked with a notch. Centre the angle brackets using the centre line, position them horizontally and mark the positions of the holes.
3. Drill the holes.
4. Press in the wall plugs flush with the wall.

Fitting the wall bracket

Screw on the fixing bracket for the flue duct. (**Fig. 1**)

Preparing the appliance

Remove the metal grease filter. (**Fig. 2**)

Installing the appliance

Attaching and aligning the appliance

⚠ Risk of injury!

Components inside the appliance may have sharp edges. Wear protective gloves.

1. First remove the protective foil from the back of the appliance and, following installation, remove the foil completely.
2. Align the appliance horizontally. (**Fig. 3a**)
3. Mark the holes. (**Fig. 4a**)
4. Tighten the screws V. (**Fig. 4b**)
5. Drill the holes. (**Fig. 5a**)
6. Press in the wall plugs flush with the wall.
7. Screw on mounting brackets for the appliance.
8. Fit the appliance.
9. Align the appliance horizontally by turning the screws on the mounting brackets. The screws are accessible from the inside of the appliance. (**Fig. 3b**)
10. Tighten the screws. (**Fig. 5b**)
11. Loosen the screws V to adjust the appliance in height. (**Fig. 5c**)
12. Tighten the screws. (**Fig. 5d**)
13. Install the metal grease filters.

Connecting the appliance

Connecting the air extractor and establishing a connection to the mains

Notes

- For exhaust-air operation, a backflow flap should be fitted. If a backflow flap has not been included with the appliance, it can be obtained from a specialist retailer.
- If the exhaust air is conveyed through the outer wall, a telescopic wall box should be used.

Connecting the exhaust air pipe

Note: If an aluminium pipe is being used, smooth the connection area beforehand.

1. Attach the exhaust air pipe directly to the air pipe connector. (**Fig. 6a**)
2. Connect it to the exhaust air opening.
3. Use suitable means to seal the joints.

Connecting the power supply

1. Plug the mains plug into the earthed socket. **(Fig. 7)**
2. If a fixed connection is required, follow the instructions in the Electrical connection section.

Installing the active carbon filter (only in circulating-air mode) (Fig. 6b)

1. Remove the metal grease filters.
2. Insert the new active carbon filter and secure it in place using the fastening hooks.
3. Fix the back flap on the exhaust and secure with clamping ring.
4. Mount the metal grease filters.

Attaching the flue duct

⚠ Risk of injury!

Components inside the appliance may have sharp edges. Wear protective gloves.

1. Remove the pieces of protective film from the flue duct.
2. Place the flue duct on the appliance and fix it in place. Gently push the two side panels apart, hook them in behind the angle bracket and then push them back together as far as they will go (i.e. until they are touching the ends of the bracket). **(Fig. 8a)**
3. Screw the flue duct to the ends of the angle bracket. **(Fig. 8b)**

Installing the flue duct extension (Fig. 9)

⚠ Risk of injury!

Components inside the appliance may have sharp edges. Wear protective gloves.

1. Remove the pieces of protective film from the flue duct extension.
2. Place the flue duct extension inside the flue duct. Gently push downward till touches the chimney body.
3. Fix the bottom angle bracket to the wall as shown in above figure.
4. Fix the top angle bracket as per the required height of flue duct extension as shown in above figure.

Note: The minimum overlap between flue duct and flue duct extension must be 100 mm.

5. Screw the flue duct extension to the ends of the angle bracket.

Removing the appliance

1. Disconnect the appliance from the power supply.
2. Remove the flue duct.
3. Loosen the exhaust air lines.
4. Remove the metal grease filter.
5. Unscrew in the screws for the appliance bracket slightly; do not loosen them fully.
6. Remove the appliance.
7. Remove the angle bracket for the flue duct.

BSH Household Appliances Manufacturing Pvt. Ltd.

Arena House, 2nd Floor Main Building

Plot No.103, Road No.12

MIDC, Andheri East,

Mumbai-400093

www.bosch-home.com