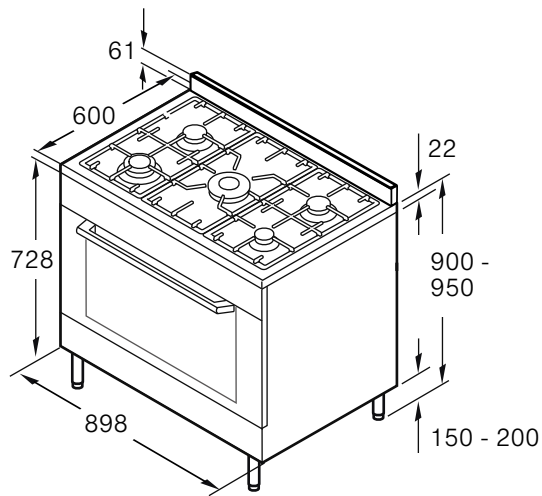
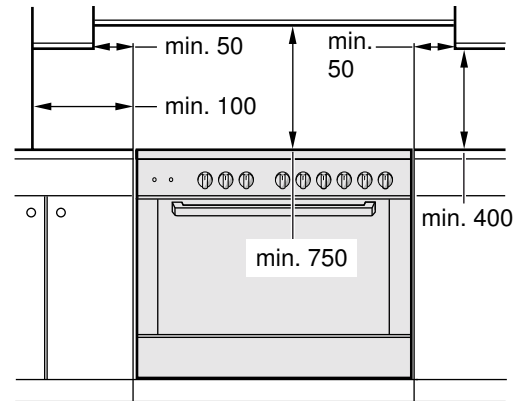




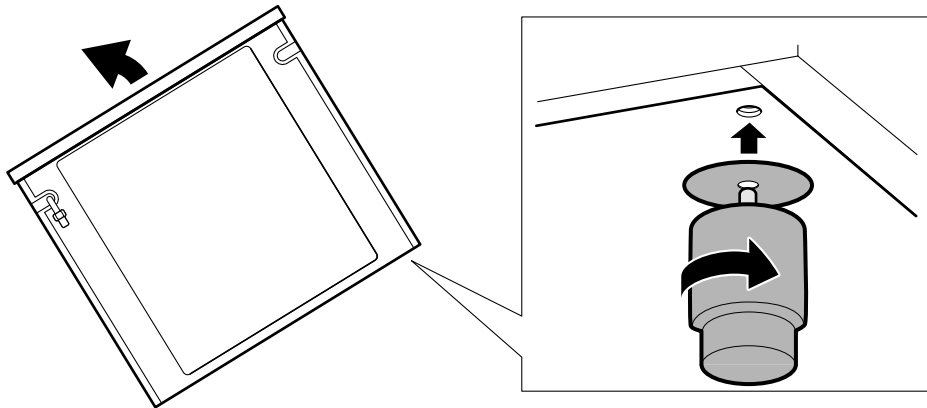
1



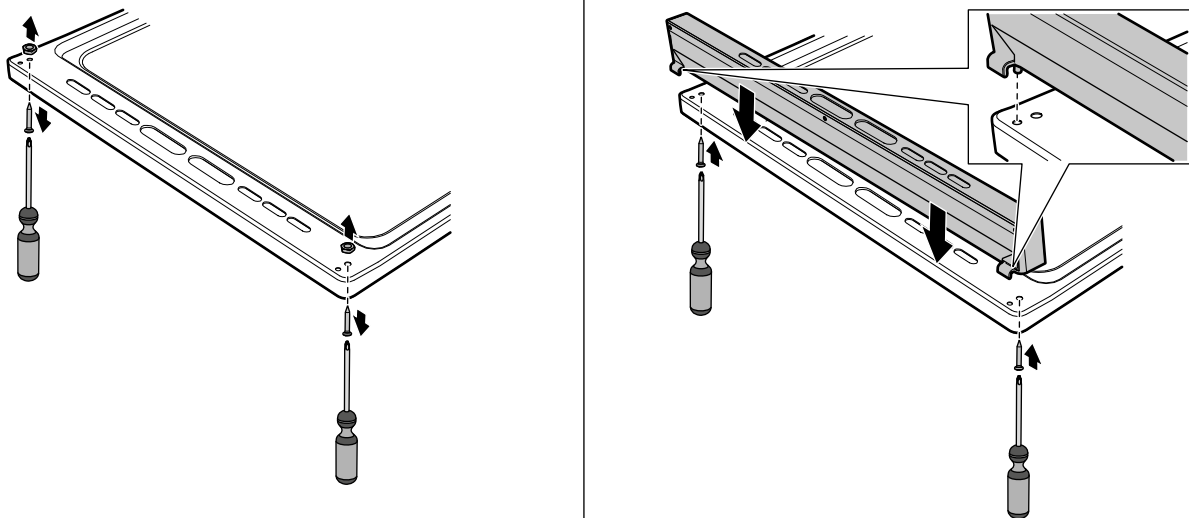
2



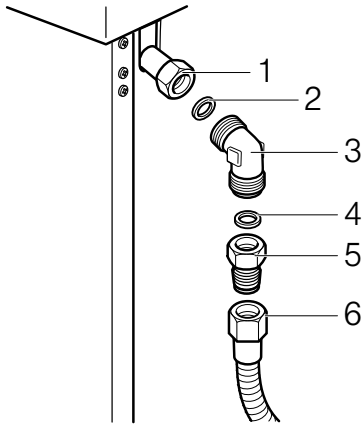
3



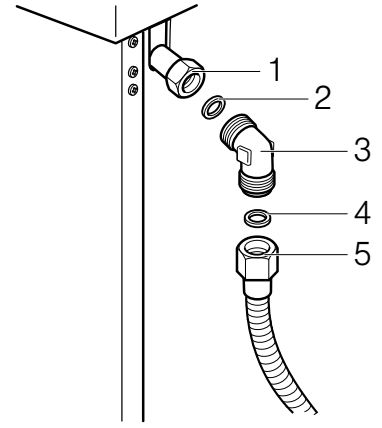
4



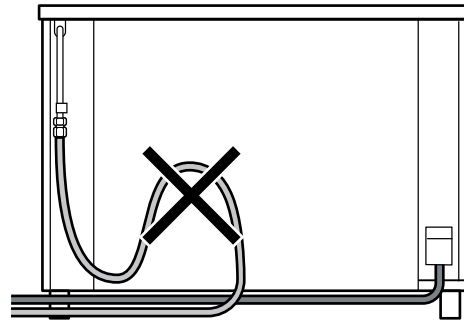
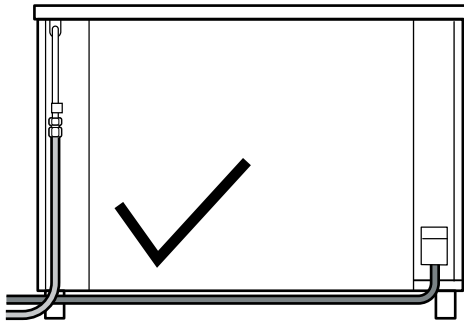
5a



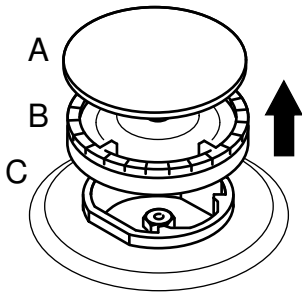
b



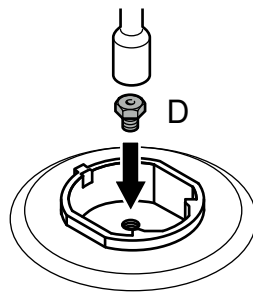
6



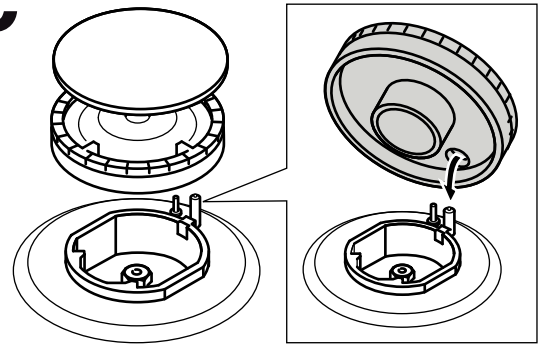
7a



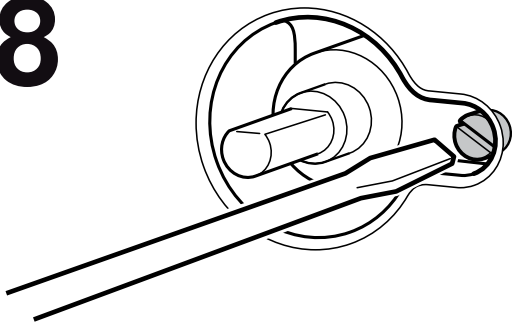
b



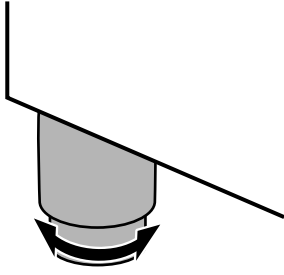
c



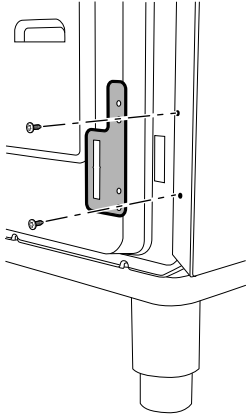
8



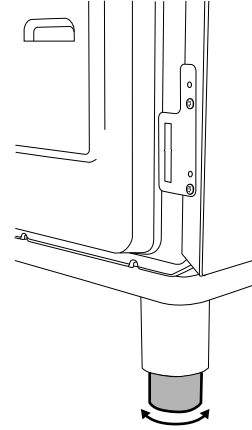
9



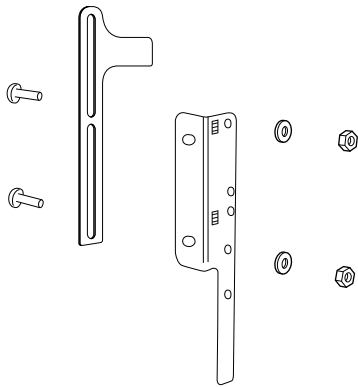
10



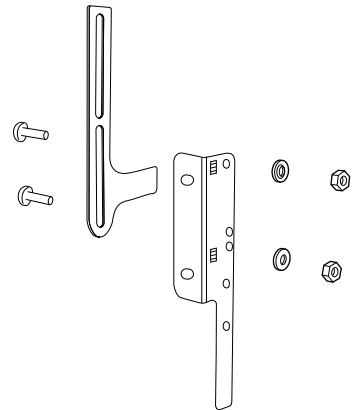
11



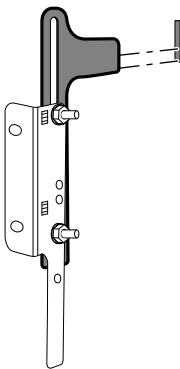
12a



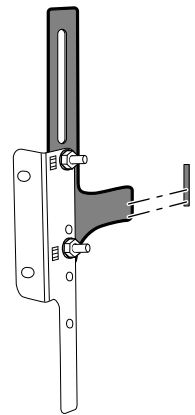
12b



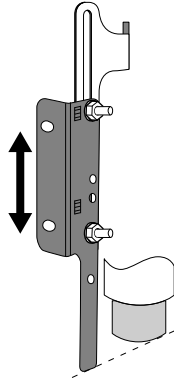
13a



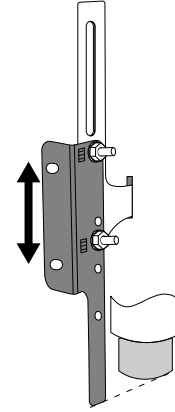
13b



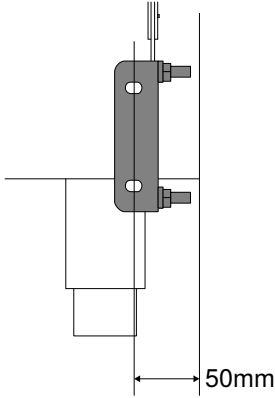
14a



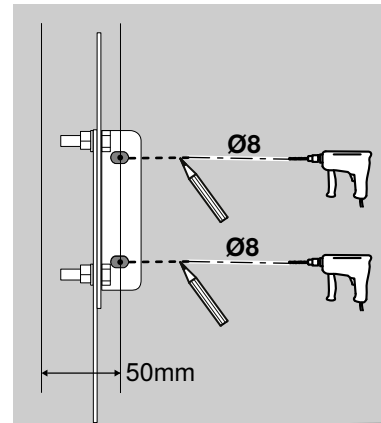
14b



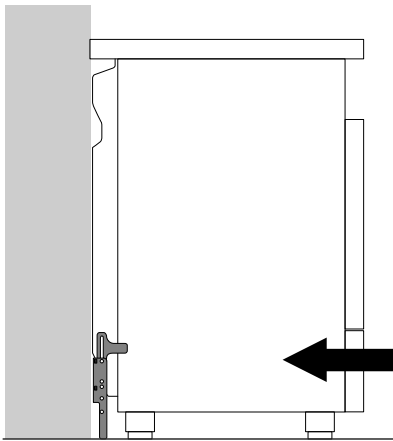
15



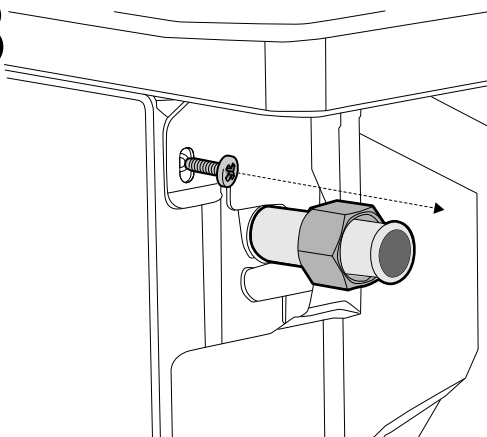
16



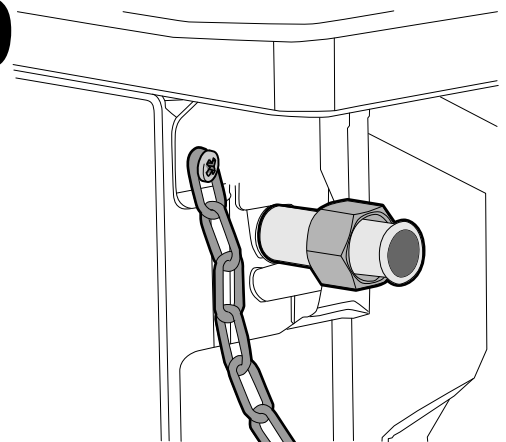
17



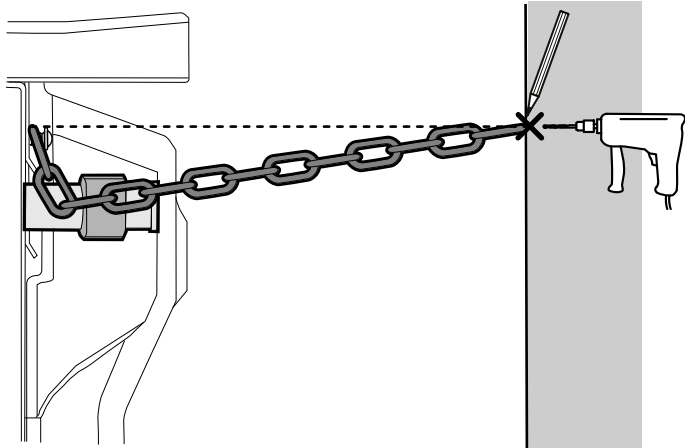
18



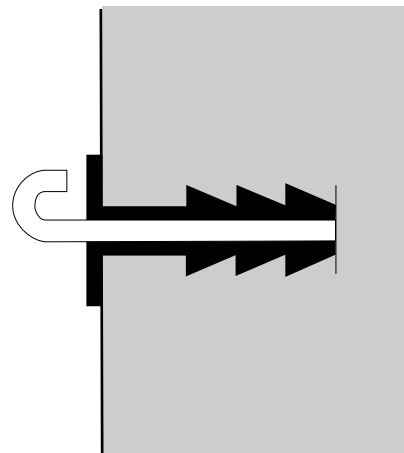
19



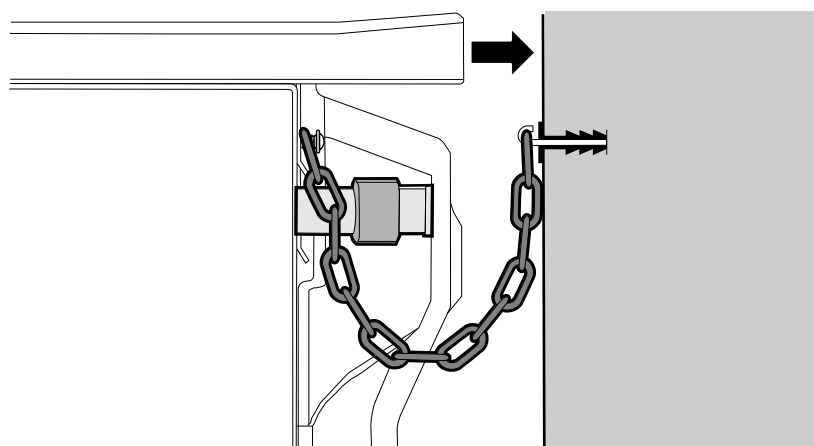
20



21



22



Safety precautions

Read and store these instructions carefully. Safe use can only be guaranteed if the appliance has been installed by a professional and in accordance with these assembly instructions.

The appliance must be connected to the mains only by a licensed and trained technician.

If you wish to convert to a different type of gas, call the after-sales service.

⚠ Risk of gas escape!

After connecting the appliance to the gas supply, always check the connection for leak tightness. The manufacturer accepts no responsibility for the escape of gas from a gas connection which has been previously tampered with.

The fitter or the installer is liable for damage or faults resulting from incorrect assembly or installation.

Statutory regulations

This appliance shall be installed in accordance with the manufacturer's installation instructions, local gas fitting regulations, municipal building codes, electrical wiring regulations and AS/NZS 5601.1 the Australian Standard for gas installations. Refer also to AS/NZS 5601.1 for pipe sizing tables.

Before connecting the appliance, please check whether the local connection conditions such as the gas type, gas pressure and mains voltage and the appliance settings are correct.

Refer to the data plate located on the inside of the storage compartment flap.

A duplicate data label is provided to adhere to an accessible location near the cooker i.e. rear of an adjacent cupboard door. Switch off the power and gas supply before carrying out any work. The information on the rating plate regarding voltage, gas type and gas pressure must comply with the local connection conditions. Electrical appliances must always be earthed.

Overhead clearances

Range hoods and exhaust fans shall be installed in accordance with the manufacturer's instructions. However, in no case shall the clearance between the highest part of the burner and the underside of the rangehood be less than 650 mm or for an exhaust fan, 750 mm.

This appliance must not be installed on boats or in vehicles.

Before installing

These instructions are intended for several models. Details may vary, depending on the appliance model.

Read the following information about the appliance and the guidelines for ventilation.

In this section, you will find information on

- Unpacking
- the appliance dimensions
- the distance from any adjacent furniture
- the rating plate

Unpacking

Check the appliance for damage after unpacking it. Do not connect the appliance if it has been damaged in transport.

Dispose of packaging in an environmentally-friendly manner.

Appliance dimensions - Fig. 1

Adjacent units - Fig. 2

Adjacent units and adjacent unit fronts must be heat-resistant up to at least 90 °C. If the appliance is installed close to other kitchen units, you must comply with the minimum distances specified in the diagram.

Rating plate

The technical data for the appliance can be found on the rating plate.

The rating plate is located on the inside of the storage compartment flap.

The setting values are specified on a label on the appliance packaging.

Enter the product number (E no.), production number (FD no.), factory settings for the type of gas/gas pressure and, if applicable, the converted gas type into the table below. The changes made to the appliance and the type of connection are crucial for the safe and correct operation of the appliance.

E no.	FD no.
After-sales service ☎	
Type of gas/gas pressure	_____
Factory setting	_____
Type of gas/gas pressure	_____
Conversion	_____

Guidelines for ventilation

Ensure sufficient air exchange in the room where the appliance is installed. Up to 14kW output:

- Minimum volume of the room where appliance is installed: 2 m³ per kW total output.
- A door leading to the open air or a window which can be opened.
- An extraction hood into the open air. Minimum displacement volume of extraction hood: 15 m³/h per kW total output.

Installation

This appliance is supplied with a set of adjustable feet and a splash guard.

Fitting the adjustable feet - Fig. 3

1. Remove all parts that are not permanently fixed, especially the pan supports and burners.
2. Remove the accessories from the oven.
3. Tilt the appliance by raising it slightly on one side from the floor.
4. Screw the adjustable feet with one metal disk into the mounting holes on the underside of the appliance.

Note: If you then need to pull the appliance, screw in the adjustable feet fully.

5. Only finally level the appliance when the electricity and gas have been connected, and all of the installation work has been completed.

Fitting the splash guard - Fig. 4

1. Remove the packaging and the protective film from the splash guard.
2. Loosen the two screws on the back of the appliance.
The nuts are no longer required.
3. Place the splash guard into the holes intended for this purpose using the dowels.
4. Insert and tighten the bolts from below.

Electrical connection

The appliance must be installed in accordance with the most recent IEE guidelines (Institute of Electrical Engineers). The appliance may be damaged if incorrectly connected.

Make sure the voltage of the power supply corresponds to the specified value on the rating plate.

Ensure that the power supply is properly earthed and that the fuse and the wiring and piping system in the building is sufficiently dimensioned for the electrical power of the appliance.

It is recommended that you configure the circuit for the appliance to 16 A.

Observe the following points when routing the service cable:

- Do not pinch or squeeze the cable.
- Keep the cable away from sharp edges.
- Do not bring the cable into contact with parts that can reach temperatures of more than 50 °C above room temperature.

Connecting the appliance to the power supply

The appliance corresponds to protection class 1 and may only be operated with a protective earth connection.

The appliance must be disconnected from the power supply for all installation work.

The appliance must only be connected to the power supply with the power cable provided.

Contact protection must be ensured by the installation.

Power cable with a plug with earthing contact

Connect the appliance to the enclosed plug with earthing contact to a properly installed earthed socket. The socket must be accessible after installation. If this is not the case, an all-pole isolating switch with a contact gap of at least 3 mm must be included in the installation.

Gas connection

The supply connection point shall be accessible with the appliance installed. It is recommended that a ball valve be fitted adjacent to the appliance inlet to facilitate any future servicing.

The gas inlet connection elbow is located (centre line) 130 mm down from the top surface of the hob and 40 mm in from the hob RH side.

Using the R1/2" connection elbow provided, connect the NG regulator or the inlet fitting with gasket for ULPG.

For Natural Gas the regulator must be fitted.

There are two ways to carry out the connection to the mains gas line:

- 1: The appliance can be connected with rigid copper pipe.
- 2: Flexible hose. If installing with a hose assembly, it must comply with AS/NZS 1869, 10 mm I. D. Class B or D, no more than 1.2m long and installed in accordance with AS/NZS 5601.1. The hose should not be subjected to abrasion, kinking or permanent deformation and should be inspected along its entire length with the appliance in the installed position.

Union's compatible with the hose fittings must be used and all connections tested for gas leaks.

Note: If the appliance is operated using natural gas, the pressure regulator must be installed.

Default setting of the burners

The burners are pre-set for natural gas (1.0 kPa). A nozzle set for liquefied gas (2.75 kPa) is supplied with the appliance.

Gas connecting line with conical thread (EN 10226 R1/2) - Fig. 5a

Only use connecting cables or flexible hoses which comply with the applicable regulations and which are approved for this purpose.

1. Screw the angle (3) and the seal (2) to the gas connection (1)
2. Hold the angle (3) with a spanner and screw the adapter piece (5) and the seal (4) to the angle.
3. Hold the adapter piece (5) with a spanner and screw it to a fixed connecting line or a flexible gas connecting hose (6).

Only use approved sealing compound to seal the thread.

Gas connecting line with cylindrical thread (EN ISO 28 G1/2) - Fig. 5b

Only use connecting cables or flexible hoses which comply with the applicable regulations and which are approved for this purpose.

1. Screw the angle (3) and the seal (2) to the gas connection (1)
2. Hold the angle (3) with a spanner and screw it to a fixed connecting line or a flexible gas connecting hose (5) and the seal (4).

Flexible hose - Fig. 6

For flexible hoses, observe the following points:

- Do not pinch or squeeze hoses.
- Do not subject the hoses to twisting or pulling forces.
- Keep the hoses away from sharp edges.
- Do not let the hoses come into contact with parts that may reach a temperature higher than 70 °C above room temperature.
- Make sure that the full length of the hoses is accessible for inspection.

General nozzle table

Type of gas	kPa	Nozzle		Burner type	Output (MJ/h)
		Number	Bypass		
Natural gas	1.0	155	Gap	High-output burner	12.0
		120	Gap	Standard burner	7.5
		90	Gap	Economy burner	3.9
		175	Gap	Wok burner	14.4
Total					45.3
Liquid gas	2.75	88	0.45	High-output burner	10.8
		68	0.33	Standard burner	6.3
		54	0.30	Economy burner	3.9
		105	0.63	Wok burner	15.0
Total					42.3

Installing the safety valve

The installation of a safety valve for opening and closing the gas supply is a compulsory requirement. Fit the safety valve between the gas supply line to the appropriate room and the appliance. Ensure unhindered access to this valve.

Checking for leaks

After connecting the gas line, check the connections for leaks using soapy water.

Initial use

Switch the appliance on as described in the instructions for use. Light all the burners and check that the flames remain stable at both the high and low settings.

Converting the gas type

If the appliance is not already set up for the existing type of gas, the appliance must be converted. The conversion to a different type of gas must be carried out by an authorised expert in accordance with the applicable regulations. The type of gas and pressure that was preset at the factory are indicated on the rating plate.

In order to convert to a different type of gas, the nozzles must be replaced and the low flame and primary air may have to be adjusted.

Replacing the gas burner nozzles - Fig. 7

1. Disconnect the appliance from the power supply.
2. Remove the pan supports.
3. Remove the burner caps **A** and burner cups **B** from the burners **C** (Fig. 7a).
4. Remove the nozzle **D** and replace it with an appropriate nozzle for the new type of gas (Fig. 7b).
5. Replace the old gas label with the new gas label.
The new gas label is supplied with the nozzle set.
6. Place the burner cup **B** onto the burner **C**.
7. Ensure the burner cap **A** is fitted correctly onto the burner cup **B** (Fig. 7c).
8. Refit the pan supports.

Setting the minimum gas flow (Fig.8)

1. Switch on the gas burner.
2. Turn the control knob for the gas burner towards the small flame setting.
3. Remove the control knob for the gas burner.
4. Adjust the internal setting screw until a stable flame is burning correctly.
5. Loosen the setting screw to increase the gas flow or tighten it to decrease the gas flow.

Note: Make sure that the flame does not go out when the gas flow is quickly changed between maximum and minimum, and vice versa.

The setting is correct when the height of the small flame is approx. 3 to 4 mm.

6. Refit the control knob for the gas burner.

Nominal operating pressure

The nominal operating pressure of your appliance is:

- for natural gas 1.0 kPa.
- for liquefied gas 2.75 kPa.

Your appliance must be operated at these pressure values. All information on the rating plate refers to these pressure values. The manufacturer does not accept any liability for operability, power of the appliance or for other risks if the appliance is operated at pressure values other than those values specified for the appliance.

Note: If you are operating the appliance with liquefied gas, use a gas pressure regulator. The pressure regulator must be connected and maintained by a licensed technician.

Positioning and levelling

Positioning the appliance

When installing the appliance, make sure that there is enough space in the final installation location to pull the appliance forwards for cleaning and maintenance work.

The ground underneath must be hard and firm. The wall immediately behind the appliance must be made from non-flammable material, e.g. tiles.

If you need to move the appliance in order to position it, make sure that the adjustable feet are fully screwed in.

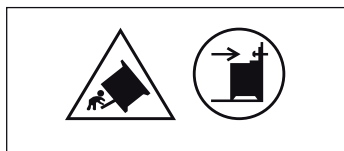
Adjusting the appliance - picture 9

Turn the adjustable feet to level the appliance.

Note: Only level the appliance once all other work has been completed.

Tilt protection

To prevent the free-standing cooker from tipping over, it must be secured to the wall using a chain and a protective bracket.



Fitting the stabilising device

1. Use two screws to secure the retainer plate to the rear panel of the appliance. (Fig. 10)
2. Make sure that the adjustment feet are positioned correctly and the free-standing cooker is set to a suitable height. (Fig. 11)
3. Use two screws, washers and nuts to connect the connecting element to the wall-mounting bracket. (Fig. 12)

Notes

- The connecting element can be connected to the wall-mounting bracket with its long side at the top or bottom.
 - The connecting element's retainer pin must be at the same height as the opening in the retainer plate and must rest on the lower edge of the opening. (Fig. 13)
 - The wall-mounting bracket must be in contact with the floor. (Fig. 14)
 - To screw the wall-mounting bracket and the connecting element together, the holes in the connecting element that are furthest apart must be used. (Fig. 12)
4. Make sure that there is a clearance of 50 mm between the fastening holes in the wall and the side panel of the appliance. (Fig. 15)
 5. Use a pencil to mark on the wall where the holes need to be drilled. Use two screws and the appropriate fastenings to secure the wall-mounting bracket to the wall. (Fig. 16)
 6. Slide the appliance to the wall. (Fig. 17)

Note: The connecting element's retainer pin must be positioned inside the opening in the retainer plate on the rear panel of the appliance.

Fitting the tilt protection chain

1. Undo the screw in the appliance's rear panel near the gas connection. (Fig. 18)
2. Attach the chain and then retighten the screw. (Fig. 19)
3. Pull the chain at right angles to the wall until it touches the wall. Use a pencil to mark on the wall where the holes need to be drilled. (Fig. 20)
4. Drill the hole and fit the suspension device. (Fig. 21)
5. Hang the end of the chain on the hook and slide the appliance to the wall. (Fig. 22)

VERY IMPORTANT FOR THE INSTALLER

- The plug must remain accessible after the installation is complete. Do not kink or trap the mains connection cable.
- The appliance must be fitted according to the installation diagrams.
- If the supply cord is damaged, it must be replaced by a special cord or assembly available from the manufacturer or its service agent.
- This appliance is not intended for operation with an external timer or external remote control.
- Do not install this appliance on boats or in mobile homes or vehicles.
- Do not attempt to turn or stress the threaded elbow on the manifold. You risk damage to this part of the appliance which may void the manufacturer's warranty.
- Apply a manometer to the test nipple on the NG regulator or ULPG fitting. Set the burner pressure to 1.0kPa for NG and 2.75kPa for ULPG with the one rapid, one semi rapid and one auxiliary burner operating.
- Do not forget to replace the test nipple screw and to leave the instruction manual with the user.
- Before leaving check all connections for gas leaks with soap and water. DO NOT use a naked flame for detecting leaks.
- Ignite all burners individually and concurrently to ensure correct operation of the gas valves, burners and ignition.
- Turn to gas taps to the low position and observe stability of the flame for each burner individually and all together.
- Adhere the duplicate data label to an accessible location near the appliance.
- When satisfied with the appliance, please instruct the user on the correct method of operation.
- In case the appliance fails to operate correctly after all checks have been carried out, refer to the authorized service provider in your area.

Abnormal operation

Any of the following are considered to be abnormal operation and may require service.

- Yellow tipping of the hotplate burner flame
- Sooting up of cooking utensils
- Burners not igniting properly
- Burners failing to remain alight
- Burners extinguishing whilst in operation
- Gas valves which are difficult to turn.

In case the appliance fails to operate correctly, contact the authorised service provider in your area.