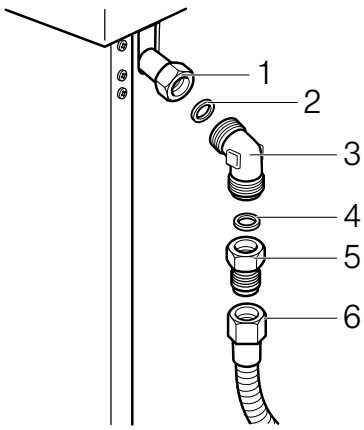
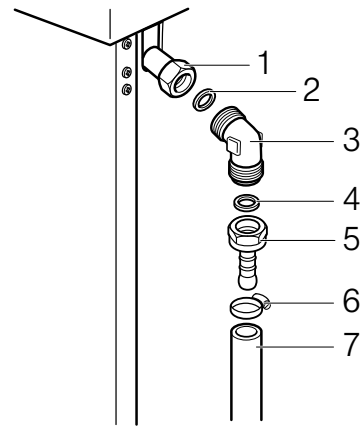


5

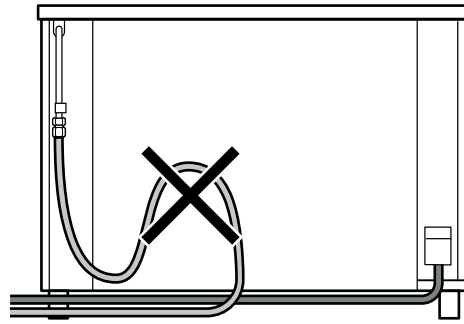
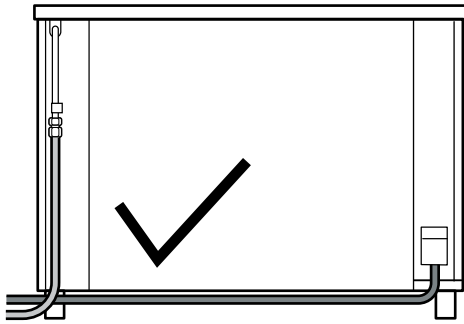
a



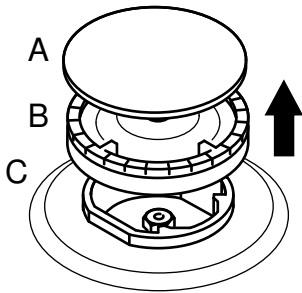
b



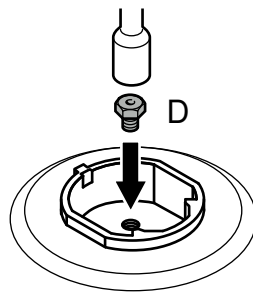
6



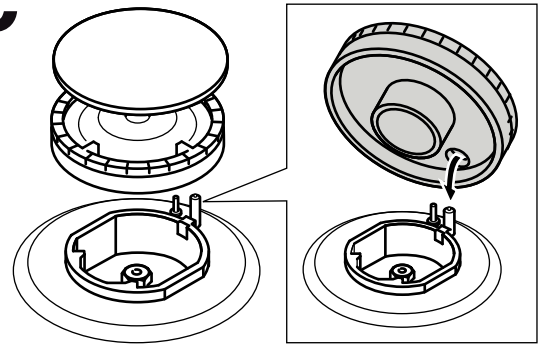
7a



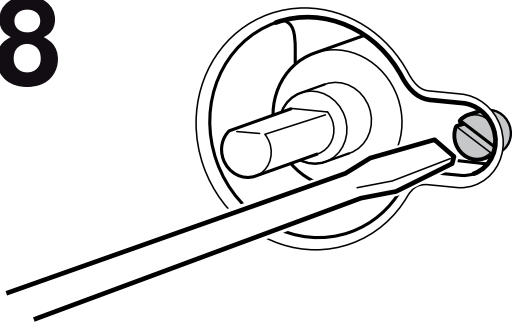
b



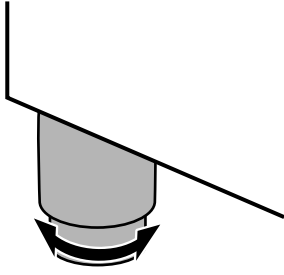
c



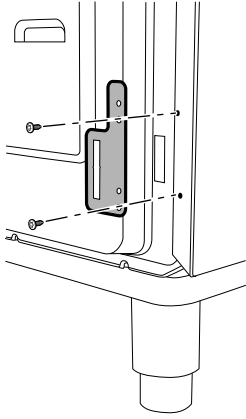
8



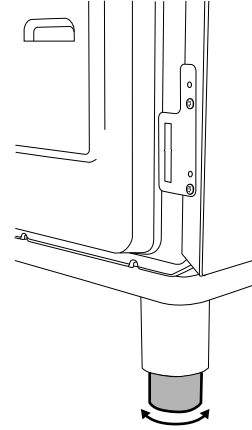
9



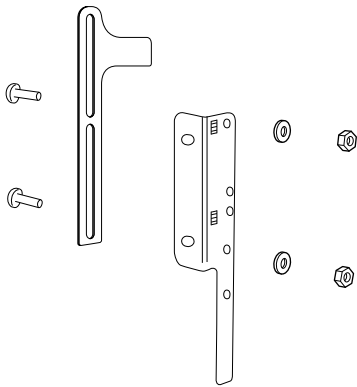
10



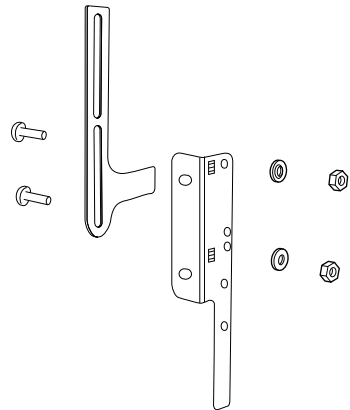
11



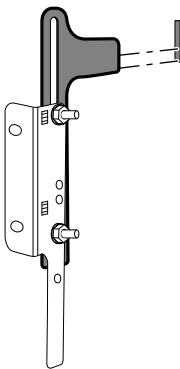
12a



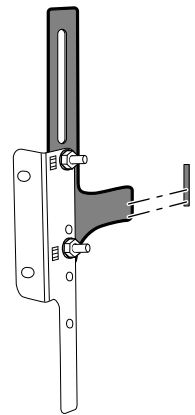
12b



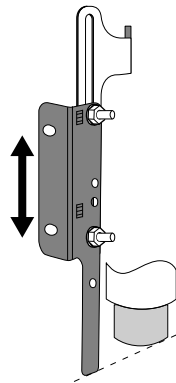
13a



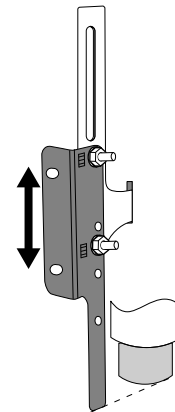
13b



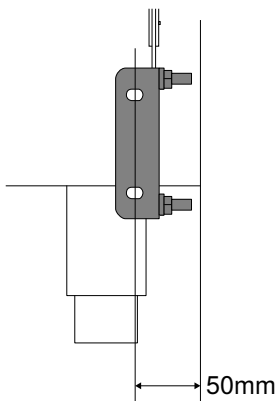
14a



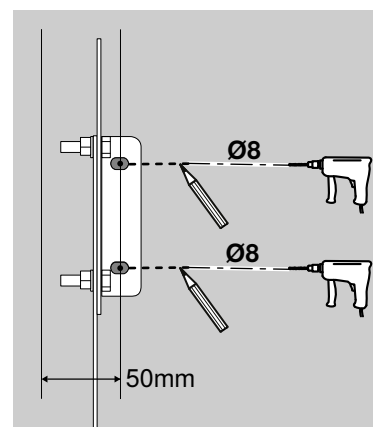
14b



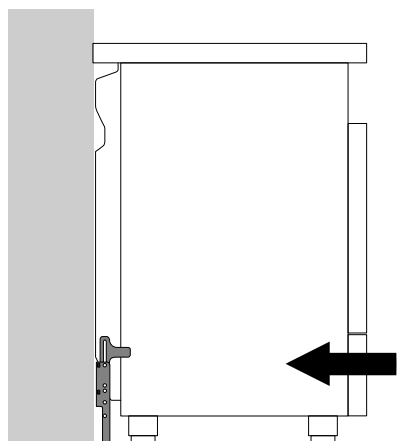
15



16



17



Safety precautions

Read and store these instructions carefully. Safe use can only be guaranteed if the appliance has been installed by a professional and in accordance with these assembly instructions.

The appliance must be connected to the mains only by a licensed and trained technician.

If you wish to convert to a different type of gas, call the after-sales service.

⚠ Risk of gas escape!

After connecting the appliance to the gas supply, always check the connection for leak tightness. The manufacturer accepts no responsibility for the escape of gas from a gas connection which has been previously tampered with.

The fitter or the installer is liable for damage or faults resulting from incorrect assembly or installation.

When installing the appliance you must observe the building regulations that are currently applicable and the regulations set by the local electricity and gas suppliers (e.g. Germany: DVGW-TRGI/TRGF; Austria: ÖVGW-TR).

Switch off the power and gas supply before carrying out any work.

The information on the rating plate regarding voltage, gas type and gas pressure must comply with the local connection conditions.

Electrical appliances must always be earthed.

If an extractor hood is to be fitted, it must be fitted according to the associated assembly instructions. Take into consideration the specified minimum distance to the hob.

This appliance must not be installed on boats or in vehicles.

Before installing

These instructions are intended for several models. Details may vary, depending on the appliance model.

Read the following information about the appliance and the guidelines for ventilation.

In this section, you will find information on

- Unpacking
- the appliance classes
- the appliance dimensions
- the distance from any adjacent furniture
- the rating plate

Unpacking

Check the appliance for damage after unpacking it. Do not connect the appliance if it has been damaged in transport.

Dispose of packaging in an environmentally-friendly manner.

Appliance classes - Fig. 1

This appliance corresponds to the following appliance classes:

Appliance class	Description
Fig. 1a	Class 1 Non flush-fitted cooker
Fig. 1b	Class 2 - subclass 1 Cooker immediately adjacent to two units, consisting of a single unit, can also be installed so that the side walls are accessible

Appliance dimensions - Fig. 2

Adjacent units - Fig. 3

Adjacent units and adjacent unit fronts must be heat-resistant up to at least 90 °C. If the appliance is installed close to other kitchen units, you must comply with the minimum distances specified in the diagram.

Rating plate

The technical data for the appliance can be found on the rating plate.

The rating plate is located on the inside of the storage compartment flap.

The setting values are specified on a label on the appliance packaging.

Enter the product number (E no.), production number (FD no.), factory settings for the type of gas/gas pressure and, if applicable, the converted gas type into the table below. The changes made to the appliance and the type of connection are crucial for the safe and correct operation of the appliance.

E no.	FD no.
After-sales service ☎	
Type of gas/gas pressure Factory setting	_____
Type of gas/gas pressure Conversion	_____

Guidelines for ventilation

This appliance must only be installed in a room that is sufficiently ventilated.

If the total power for all gas appliances is below 11 kW, then this requirement is met if the installation room has a volume of over 15 m³ and at least one door leading outside or one window that can be opened.

If the total power for all gas appliances is above 11 kW, then this requirement is met if the installation room has a volume of over 2 m³ per kW and at least one door leading outside or one window that can be opened. Furthermore, an exhaust extractor hood or a controlled domestic ventilation system (no recirculated air operation) should be present and should have a minimum flow volume of 15 m³/h for each kW of total power for all gas appliances. Appropriate supply air openings must be present.

Note: In some countries, the requirements for minimum room volume vary. Find out information on this from your after-sales service.

Installation

This appliance is supplied with a set of adjustable feet and a glass cover. The glass cover is prefitted.

Fitting the adjustable feet - Fig. 4

1. Remove all parts that are not permanently fixed, especially the pan supports and burners.
2. Remove the accessories from the oven.
3. Tilt the appliance by raising it slightly on one side from the floor.
4. Screw the adjustable feet into the mounting holes on the underside of the appliance.
Note: If you then need to pull the appliance, screw in the adjustable feet fully.
5. Only finally level the appliance when the electricity and gas have been connected, and all of the installation work has been completed.

Electrical connection

The appliance must only be connected to the power supply by a licensed professional. The appliance must be installed in accordance with the most recent IEE guidelines (Institute of Electrical Engineers). The appliance may be damaged if incorrectly connected.

Make sure the voltage of the power supply corresponds to the specified value on the rating plate.

Ensure that the power supply is properly earthed and that the fuse and the wiring and piping system in the building is sufficiently dimensioned for the electrical power of the appliance.

It is recommended that you configure the circuit for the appliance to 16 A.

Observe the following points when routing the service cable:

- Do not pinch or squeeze the cable.
- Keep the cable away from sharp edges.
- Do not bring the cable into contact with parts that can reach temperatures of more than 50 °C above room temperature.

Connecting the appliance to the power supply

The appliance corresponds to protection class 1 and may only be operated with a protective earth connection.

The appliance must be disconnected from the power supply for all installation work.

The appliance must only be connected to the power supply with the power cable provided.

Contact protection must be ensured by the installation.

Only a licensed expert may connect the appliance. He is subject to the regulations of the local electricity provider.

Power cable with a plug with earthing contact

Connect the appliance to the enclosed plug with earthing contact to a properly installed earthed socket. The socket must be accessible after installation. If this is not the case, an all-pole isolating switch with a contact gap of at least 3 mm must be included in the installation.

Gas connection

The appliance must be connected in accordance with the currently applicable regulations. Before installing the appliance, check that the local conditions (type of gas and pressure) are compatible with the appliance settings. The permissible appliance settings can be found on the rating plate. The appliance must be connected to the gas lines and seals by a professional in accordance with currently applicable standards.

Gas connection on the appliance

The gas connection is located on the rear of the appliance.

A connection elbow (EN ISO 228 G1/2 male - 228 G1/2 male), an adapter for natural gas (EN ISO 228 G1/2 - EN 10226 R1/2), and a hose connection for liquefied gas (EN ISO 228 G1/2 - LPG) are supplied with the appliance.

Default setting of the burners

The burners are set up for G30 liquefied gas (29 mbar) on delivery. A nozzle set for G20 natural gas (20 mbar) is supplied with the appliance.

Connecting to natural gas - Fig. 5a

Only use connecting cables or flexible hoses which comply with the applicable regulations and which are approved for this purpose.

1. Screw the elbow (3) and the seal (2) to the gas connection (1)
2. Hold the elbow (3) in place with a spanner and screw the adapter piece (5) and the seal (4) to the elbow.
3. Hold the adapter piece (5) with a spanner and screw it to a fixed connection line or a flexible gas connecting hose (6).

Only use approved sealing compound to seal the thread.

Connecting to liquefied gas - Fig. 5b

If you connect the appliance to liquefied gas, you must always install a suitable gas pressure regulator. Use the total gas consumption of the appliance stated on the rating plate to select a suitable gas pressure regulator.

Only use connecting cables or flexible hoses which comply with the applicable regulations and which are approved for this purpose.

1. Screw the elbow (3) and the seal (2) to the gas connection (1)
2. Screw the hose connection (5) and the seal (4) to the elbow (3).
3. Slide the flexible gas connecting hose (7) onto the hose connection (5).
4. Pull the clamp (6) tight.

Only use approved sealing compound to seal the thread.

General nozzle table

Type of gas	mbar	kPa	Nozzle		Burner type	Output (W)	Output min. (W)	Max. consumption	
			Number	Bypass				G30	G31
Natural gas - NG G20	20	2.0	115 (Y)	Gap	High-output burner	2900	800		
			94 (Y)	Gap	Standard burner	1800	500		
			72 (X)	Gap	Economy burner	1000	400		
			145 (Z)	Gap	Wok burner	4000	1600		
Liquid gas - LPG Butane Propane G30/G31	28 - 30/ 37	2.8 - 3.0/3.7	85	0.45	High-output burner	2900	800	211 g/h	207g/h
			65	0.33	Standard burner	1750	500	127 g/h	125 g/h
			50	0.30	Economy burner	1000	400	73 g/h	71 g/h
			102	0.63	Wok burner	4000	1600	291 g/h	286 g/h

Flexible hose - Fig. 6

For flexible hoses, observe the following points:

- Do not pinch or squeeze hoses.
- Do not subject the hoses to twisting or pulling forces.
- Keep the hoses away from sharp edges.
- Do not let the hoses come into contact with parts that may reach a temperature higher than 70 °C above room temperature.
- Make sure that the full length of the hoses is accessible for inspection.

Installing the safety valve

The installation of a safety valve for opening and closing the gas supply is a compulsory requirement. Fit the safety valve between the gas supply line to the appropriate room and the appliance. Ensure unhindered access to this valve.

Checking for leaks

After connecting the gas line, check the connections for leaks using soapy water.

Initial use

Switch the appliance on as described in the instructions for use. Light all the burners and check that the flames remain stable at both the high and low settings.

Converting the gas type

If the appliance is not already set up for the existing type of gas, the appliance must be converted. The conversion to a different type of gas must be carried out by an authorised expert in accordance with the applicable regulations. The type of gas and pressure that was preset at the factory are indicated on the rating plate.

In order to convert to a different type of gas, the nozzles must be replaced and the low flame and primary air may have to be adjusted.

Replacing the gas burner nozzles - Fig. 7

1. Disconnect the appliance from the power supply.
2. Remove the pan supports.
3. Remove the burner caps **A** and burner cups **B** from the burners **C** (Fig. 7a).
4. Remove the nozzle **D** and replace it with an appropriate nozzle for the new type of gas (Fig. 7b).
5. Replace the old gas label with the new gas label. The new gas label is supplied with the nozzle set.
6. Place the burner cup **B** onto the burner **C**.
7. Ensure the burner cap **A** is fitted correctly onto the burner cup **B** (Fig. 7c).
8. Refit the pan supports.

Setting the minimum gas flow (Fig.8)

1. Switch on the gas burner.
2. Turn the control knob for the gas burner towards the small flame setting.
3. Remove the control knob for the gas burner.
4. Adjust the internal setting screw until a stable flame is burning correctly.
5. Loosen the setting screw to increase the gas flow or tighten it to decrease the gas flow.

Note: Make sure that the flame does not go out when the gas flow is quickly changed between maximum and minimum, and vice versa.

The setting is correct when the height of the small flame is approx. 3 to 4 mm.

6. Refit the control knob for the gas burner.

Nominal operating pressure

The nominal operating pressure of your appliance is:

- for natural gas - NG (G20) 20 mbar / 2.0 kPa.
- for liquefied gas - LPG (G30) 30 mbar / 3.0 kPa.
- for liquefied gas - LPG (G31) 37 mbar / 3.7 kPa.

Your appliance must be operated at these pressure values. All information on the rating plate refers to these pressure values. The manufacturer does not accept any liability for operability, power of the appliance or for other risks if the appliance is operated at pressure values other than those values specified for the appliance.

Note: If you are operating the appliance with liquefied gas, use a gas pressure regulator. The pressure regulator must be connected and maintained by a licensed technician.

Positioning and levelling

Positioning the appliance

When installing the appliance, make sure that there is enough space in the final installation location to pull the appliance forwards for cleaning and maintenance work.

The ground underneath must be hard and firm. The wall immediately behind the appliance must be made from non-flammable material, e.g. tiles.

If you need to move the appliance in order to position it, make sure that the adjustable feet are fully screwed in.

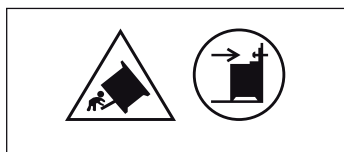
Adjusting the appliance - picture 9

Turn the adjustable feet to level the appliance.

Note: Only level the appliance once all other work has been completed.

Tilt protection

To prevent the appliance from tipping over, the stabilising device must be fitted.



1. Use two screws to secure the retainer plate to the rear panel of the appliance. (Fig. 10)
2. Make sure that the adjustment feet are positioned correctly and the free-standing cooker is set to a suitable height. (Fig. 11)
3. Use two screws, washers and nuts to connect the connecting element to the wall-mounting bracket. (Fig. 12)

Notes

- The connecting element can be connected to the wall-mounting bracket with its long side at the top or bottom.
 - The connecting element's retainer pin must be at the same height as the opening in the retainer plate and must rest on the lower edge of the opening. (Fig. 13)
 - The wall-mounting bracket must be in contact with the floor. (Fig. 14)
 - To screw the wall-mounting bracket and the connecting element together, the holes in the connecting element that are furthest apart must be used. (Fig. 12)
4. Make sure that there is a clearance of 50 mm between the fastening holes in the wall and the side panel of the appliance. (Fig. 15)
 5. Use a pencil to mark on the wall where the holes need to be drilled. Use two screws and the appropriate fastenings to secure the wall-mounting bracket to the wall. (Fig. 16)
 6. Slide the appliance to the wall. (Fig. 17)

Note: The connecting element's retainer pin must be positioned inside the opening in the retainer plate on the rear panel of the appliance.

Consignes de sécurité

Lire attentivement cette notice et la conserver soigneusement. La sécurité lors de l'utilisation est seulement garantie si l'installation a été effectuée correctement selon cette notice de montage.

Seul un spécialiste agréé est habilité à raccorder l'appareil.

Pour la modification à un autre type de gaz, appeler le service après-vente.

⚠ Risque de sortie de gaz !

Après des travaux sur le raccord de gaz, vérifier toujours son étanchéité. Le fabricant décline toute responsabilité pour une sortie de gaz au niveau d'un raccord de gaz qui a été manipulé au préalable.

L'installateur est seul responsable en cas de dommages ou de dysfonctionnements dus à un montage ou une installation non conforme.

Pour l'installation, respecter les prescriptions de construction actuellement en vigueur et les prescriptions des fournisseurs locaux d'électricité et de gaz (p.ex. en Allemagne : DVGW-TRGI/TRGF ; Autriche : ÖVGW-TR).

Avant toute intervention sur l'appareil, couper l'alimentation électrique et l'arrivée du gaz.

Les indications figurant sur la plaque signalétique concernant la tension, le type de gaz et la pression de gaz doivent correspondre aux conditions locales de raccordement.

Les appareils électriques doivent toujours être mis à la terre.

Si une hotte doit être installée, il convient de respecter pour cela la notice de montage correspondante. Respectez alors les indications concernant la distance minimale par rapport à la table de cuisson.

Ne pas installer cet appareil sur des bateaux ou dans des véhicules.

Avant l'installation

Cette notice est destinée à plusieurs modèles. Des variations de détails sont possibles selon le modèle.

Respectez les indications suivantes pour l'appareil ainsi que les directives en matière d'entrée et de sortie d'air.

Dans ce chapitre, vous trouverez des informations sur

- le déballage
- les classes d'appareil
- les dimensions de l'appareil
- les distances vers les meubles voisins
- la plaque signalétique

Déballage

Contrôlez l'état de l'appareil après l'avoir déballé. Si vous constatez des avaries de transport, vous ne devez pas brancher l'appareil.

Éliminez l'emballage de manière écologique.

Classes d'appareil - fig. 1

Cet appareil est conforme aux classes d'appareils suivantes :

Classe d'appareil	Description
Fig. 1a	Classe 1 Appareil de cuisson non encastré
Fig. 1b	Classe 2 - Sous-classe 1 Appareil de cuisson directement encastré entre deux unités, en un seul bloc, pouvant également être installé de façon à laisser les parois latérales accessibles.

Cotes de l'appareil - fig. 2

Meubles adjacents - fig. 3

Les façades des meubles adjacents doivent être résistantes à une température d'au moins 90 °C. Si l'appareil est installé à une distance rapprochée des autres unités, vous devez respecter les distances minimales indiquées dans l'illustration.

Plaque signalétique

Les caractéristiques techniques de l'appareil sont indiquées sur la plaque signalétique.

La plaque signalétique est située à la face intérieure du volet du compartiment de rangement.

Les valeurs de réglage sont indiquées sur un autocollant sur l'emballage de l'appareil.

Inscrivez dans le tableau ci-dessous le numéro de produit (N° E), le numéro de fabrication (FD), les réglages usines pour le type de gaz / la pression de gaz et le type de gaz éventuellement adapté. Les modifications réalisées sur l'appareil et le type de raccordement sont déterminants pour le fonctionnement correct et sûr de l'appareil.

N° E	N° FD
Service après-vente ☎	
Type de gaz / Pression de gaz	_____
Réglage usine	_____
Type de gaz / Pression de gaz	_____
Adaptation	_____

Directives en matière d'entrée et sortie d'air

Cet appareil doit uniquement être installé dans une pièce suffisamment aérée.

Lors d'une puissance totale de tous les appareils à gaz de max. 11 kW, cela est donné si la pièce d'installation présente un volume de plus de 15 m³ et possède au moins une porte vers l'extérieur ou une fenêtre qui peut être ouverte.

Lors d'une puissance totale de tous les appareils à gaz de plus de 11 kW, la pièce d'installation doit présenter un volume de plus de 2 m³ par kW et posséder au moins une porte vers l'extérieur ou une fenêtre qui peut être ouverte. De plus il doit y avoir une hotte évacuant vers l'extérieur ou une ventilation contrôlée (pas de mode recyclage) qui dispose d'un débit minimal de 15 m³/h par kW de puissance totale de tous les appareils à gaz. Des bouches de ventilation correspondantes doivent être présentes.

Remarque : Dans certains pays, les spécifications concernant le volume minimal sont différentes. Renseignez-vous auprès de votre service après-vente.

Montage

Cet appareil est livré avec un jeu de pieds réglables et avec un couvercle en verre. Le couvercle en verre est prémonté.

Monter les pieds réglables - fig. 4

1. Retirer toutes les pièces qui ne sont pas fixes, notamment les porte-casserolles et les brûleurs.
2. Enlever les accessoires du four.
3. Soulever l'appareil du sol d'un côté et le basculer légèrement.
4. Visser les pieds réglables dans les alésages situés sur le dessous de l'appareil.

Remarque : Si l'appareil doit ensuite être tiré, visser les pieds complètement.

5. Ne procéder à la mise à niveau définitive de l'appareil qu'après l'achèvement du raccordement électrique et au gaz ainsi que de tous les travaux d'installation.

Raccordement électrique

Seul un spécialiste agréé est habilité à raccorder l'appareil. L'appareil doit être installé conformément aux dernières directives IEE (Institution of Electrical Engineers). L'appareil risque d'être endommagé en cas de raccordement incorrect.

Assurez-vous que la tension d'alimentation concorde avec la valeur indiquée sur la plaque signalétique.

Veillez à ce que le réseau électrique soit correctement mis à la terre et que le fusible et le système de câbles et de lignes du bâtiment soient suffisamment dimensionnés pour la puissance électrique de l'appareil.

Il est recommandé d'adapter le circuit électrique pour l'appareil à 16 A.

Lors de la pose du câble d'alimentation, respectez les points suivants :

- Ne pas pincer ou écraser le câble.
- Eloigner le câble d'arêtes coupantes.
- Le câble ne doit pas entrer en contact avec des éléments pouvant atteindre des températures de plus de 50 °C au-dessus de la température ambiante.

Raccordement de l'appareil

L'appareil répond à la classe de protection 1 et doit uniquement être utilisé avec une prise de terre.

L'appareil doit être mis hors tension pour tous les travaux de montage.

L'appareil doit uniquement être raccordé au moyen du câble de raccordement fourni.

L'encastrement doit garantir la protection contre les contacts accidentels.

Seul un spécialiste agréé est habilité à raccorder l'appareil. Il doit appliquer les réglementations du fournisseur d'électricité régional.

Câble de raccordement avec fiche avec terre

Raccorder l'appareil avec la fiche avec terre sur une prise de terre installée de manière réglementaire. Celle-ci doit être accessible après l'installation. Si cela n'est pas le cas, utiliser du côté secteur un sectionneur omnipolaire avec une distance d'ouverture des contacts d'au moins 3 mm.

Raccordement au gaz

Le raccordement au gaz de l'appareil doit être conforme aux réglementations actuelles en vigueur. Avant d'installer l'appareil, vérifiez si les conditions locales (type de gaz et pression de gaz) sont compatibles avec les réglages de l'appareil. Les conditions de réglage de l'appareil figurent sur la plaque signalétique. Le raccordement aux conduites de gaz ainsi que les joints doivent être réalisés par un spécialiste agréé conformément aux standards actuels en vigueur, spécifiques au pays.

Raccord de gaz de l'appareil

Le raccord de gaz se trouve à l'arrière de l'appareil.

L'appareil est livré avec un coude de raccordement (EN ISO 228 G1/2 mâle - 228 G1/2 mâle), un adaptateur pour du gaz naturel (EN ISO 228 G1/2 - EN 10226 R1/2) et une douille de flexible pour du gaz liquéfié (EN ISO 228 G1/2 - GPL).

Préréglage des brûleurs

Les brûleurs sont préréglés pour du gaz liquéfié G30 (29 mbar). Un jeu d'injecteurs pour du gaz naturel G20 (20 mbar) est joint à l'appareil.

Raccordement au gaz naturel- fig. 5a

Utilisez exclusivement des conduites de raccordement ou des tuyaux flexibles qui répondent aux prescriptions en vigueur et qui sont agréés pour cet usage.

1. Visser le coude (3) doté du joint (2) au raccord de gaz (1)
2. Retenir le coude (3) avec une clé et visser l'adaptateur (5) et le joint (4) au coude.
3. Retenir l'adaptateur (5) avec une clé et visser une conduite de raccordement rigide ou un tuyau de gaz flexible (6) sur l'adaptateur.

Pour étancher le filetage, utilisez exclusivement des matériaux d'étanchéité agréés.

Raccordement du gaz liquéfié - fig. 5b

Si vous raccordez l'appareil à du gaz liquéfié, vous devez toujours installer un détendeur de pression de gaz approprié. Relevez la consommation de gaz totale de l'appareil indiquée sur la plaque signalétique et choisissez ainsi le détendeur de pression de gaz approprié.

Utilisez exclusivement des conduites de raccordement ou des tuyaux flexibles qui répondent aux prescriptions en vigueur et qui sont agréés pour cet usage.

1. Visser le coude (3) doté du joint (2) au raccord de gaz (1)
2. Visser la douille de flexible (5) et le joint (4) au coude (3).
3. Pousser le tuyau de gaz souple (7) sur la douille de flexible (5).
4. Serrer le collier (6).

Pour étancher le filetage, utilisez exclusivement des matériaux d'étanchéité agréés.

Tuyaux flexibles - fig. 6

En cas de tuyaux flexibles, respecter les points suivants :

- Ne pas pincer ou écraser les flexibles.
- Ne pas exposer les flexibles à des forces de traction ou de torsion.
- Eloigner les flexibles d'arêtes coupantes.
- Eloigner les flexibles des pièces qui peuvent atteindre des températures de plus de 70 °C au-dessus de la température ambiante.
- S'assurer que toute la longueur des flexibles sera accessible pour une vérification.

Installer une vanne de sécurité

L'installation d'une vanne de sécurité pour l'ouverture et la fermeture de l'arrivée de gaz est obligatoire. Installez la vanne de sécurité entre la conduite d'arrivée de gaz vers le local correspondant et l'appareil. Veillez à ce qu'il soit possible d'accéder à tout instant à cette vanne.

Contrôle de l'étanchéité

Contrôlez l'étanchéité des raccordements avec une solution savonneuse après avoir raccordé la conduite de gaz.

Mise en service

Mettez l'appareil en service en procédant selon la notice d'utilisation. Allumez tous les brûleurs et vérifiez la stabilité des flammes lors d'un réglage à une grande et à une faible hauteur.

Changement du type de gaz

Si l'appareil n'est pas déjà réglé pour le type de gaz à disposition, il est nécessaire de l'adapter. Cette adaptation doit être effectuée par un spécialiste agréé, conformément aux réglementations en vigueur. Le type et la pression de gaz qui ont été réglés en usine sont indiqués sur la plaque signalétique.

Pour changer le type de gaz, il est nécessaire de changer les injecteurs et en partie de régler la petite flamme et l'air primaire.

Remplacer les injecteurs des brûleurs des foyers - fig. 7

1. Séparer l'appareil du réseau électrique.
2. Enlever le porte-casserole.
3. Enlever le chapeau **A** et la couronne du brûleur **B** du foyer **C** (fig. 7a).
4. Enlever l'injecteur **D** et le remplacer par un injecteur approprié pour le nouveau type de gaz (fig. 7b).
5. Remplacer l'ancienne étiquette de gaz par la nouvelle étiquette. La nouvelle étiquette de gaz est jointe au jeu d'injecteurs.
6. Placer la couronne du brûleur **B** sur le foyer **C**.
7. Poser le chapeau du brûleur **A** exactement sur la couronne **B** (fig. 7c).
8. Remettre le porte-casserole en place.

Réglage du débit de gaz minimum des brûleurs (fig.8)

1. Allumer le brûleur.
2. Tourner la manette de commande du brûleur en direction de la petite flamme.
3. Retirer la manette de commande pour le brûleur.
4. Régler la vis de réglage intérieure jusqu'à ce que la flamme soit correcte et stable.
5. Desserrer la vis de réglage pour augmenter le débit de gaz ou la serrer pour le réduire.

Remarque : S'assurer que la flamme ne s'éteint pas lors d'une commutation rapide entre le débit de gaz minimal et maximal et inversement .

Le réglage est optimal lorsque la petite flamme atteint une taille d'environ 3 à 4 mm.

6. Refixer la manette de commande du brûleur.

Tableau général des injecteurs

Type de gaz	mbar	kPa	Injecteur		Type de brûleur	Puissance (W)	Puissance min. (W)	Consommation max.	
			Numéro	Bypass				G30	G31
Gaz naturel - NG G20	20	2.0	115 (Y)	Espace	Brûleur rapide	2900	800		
			94 (Y)	Espace	Brûleur normal	1800	500		
			72 (X)	Espace	Brûleur éco	1000	400		
			145 (Z)	Espace	Brûleur wok	4000	1600		
Gaz butane/ propane - LPG	28 - 30/ 37	2.8 - 3.0/3.7	85	0,45	Brûleur rapide	2900	800	211 g/h	207 g/h
			65	0,33	Brûleur normal	1750	500	127 g/h	125 g/h
Butane			50	0,30	Brûleur éco	1000	400	73 g/h	71 g/h
Propane G30/G31			102	0,63	Brûleur wok	4000	1600	291 g/h	286 g/h

Pression de service nominale

Pression de service nominale de votre appareil :

- pour du gaz naturel - NG (G20) 20 mbar / 2.0 kPa ;
- pour du gaz liquide - LPG (G30) 30 mbar / 3.0 kPa ;
- pour du gaz liquide - LPG (G31) 37 mbar / 3.7 kPa.

Votre appareil doit être utilisé avec ces valeurs de pression. Toutes les informations figurant sur la plaque signalétique se rapportent à ces valeurs de pression. Le fabricant décline toute responsabilité pour l'utilisation, la puissance de l'appareil ou pour d'autres risques si l'appareil est utilisé avec des valeurs de pression autres les valeurs indiquées.

Remarque : Pour des raisons de sécurité, utilisez un détendeur de pression de gaz en cas de fonctionnement au gaz liquéfié. Le raccordement et l'entretien du détendeur doivent être effectués par un spécialiste agréé.

Positionnement et alignement

Positionner l'appareil

Lorsque vous installez l'appareil à son emplacement final, assurez-vous qu'il y a suffisamment d'espace libre pour pouvoir le nettoyer et l'entretenir en le tirant vers vous pour l'occasion.

Le sol doit être ferme et stable. Le mur directement derrière l'appareil doit être dans un matériau non inflammable, tel que du carrelage.

Si vous devez tirer l'appareil pendant son positionnement, veillez à ce que les pieds soient solidement vissés.

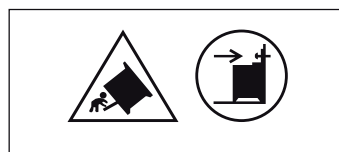
Niveler l'appareil - fig. 9

Tourner les pieds réglables pour aligner l'appareil.

Remarque : Alignez l'appareil seulement après avoir terminé tous les travaux.

Sécurité anti-basculement

Afin d'éviter tout basculement de l'appareil, ce moyen de stabilisation doit être installé.



1. Fixez la plaque de retenue avec deux vis sur le panneau arrière de l'appareil. (Figure 10)
2. Assurez-vous que les pieds réglables sont correctement positionnés et que la cuisinière est à une hauteur appropriée. (Figure 11)
3. Reliez l'élément de fixation à l'équerre de fixation murale par deux vis, disques et écrous. (Figure 12)

Remarques

- L'élément de fixation peut être relié soit avec le côté long vers le haut soit vers le bas à l'équerre de fixation murale.
 - L'axe de retenue de l'élément de fixation doit être à la même hauteur que l'ouverture de la plaque de retenue et reposer sur le bord inférieur de l'ouverture. (Figure 13)
 - L'équerre de fixation murale doit reposer sur la base. (Figure 14)
 - Lors du vissage de l'équerre de fixation murale et de l'élément de fixation, les trous de l'élément de fixation qui sont les plus éloignés les uns des autres doivent être utilisés. (figure 12)
4. Assurez-vous qu'il existe un écart de 50 mm entre les trous de fixation sur la paroi et la paroi de l'appareil. (Figure 15)

5. Marquez les trous de perçage à l'aide d'un crayon. Fixez l'équerre de fixation murale avec deux vis et le moyen de fixation approprié à la paroi. (Figure 16)
6. Poussez l'appareil vers le mur. (Figure 17)

Remarque : L'axe de retenue de l'élément de fixation doit pour ce faire être positionné dans l'ouverture de la plaque de retenue sur le panneau arrière de l'appareil.

نوع الغاز	ملي بار	ك. باسكال	الفوهة الرقم	نوع الشعلة التفريعية	القدرة (واط)	القدرة (واط)	معدل الاستهلاك الأقصى
					بحد أدنى (واط)		G31 G30
غاز طبيعي – NG 20	20	2.0	115 (Y)	فتحة	2900	800	
G20			94 (Y)	فتحة	1800	500	
			72 (X)	فتحة	1000	400	
			145 (Z)	فتحة	4000	1600	
غاز مسال – LPG 30/37	28 - 30	2.8 - 3.0/3.7	85	0,45	2900	800	211 جم/ساعة
بيوتان	37		65	0,33	1750	500	127 جم/ساعة
بروبان			50	0,30	1000	400	73 جم/ساعة
G30/G31			102	0,63	4000	1600	291 جم/ساعة
							207 جم/ساعة
							125 جم/ساعة
							71 جم/ساعة
							286 جم/ساعة

ضبط التشغيل الاسمي

ضبط التشغيل الاسمي لجهازك كما يلي:

- للغاز الطبيعي – NG (G20) 20 ملي بار/2.0 ك. باسكال،
- للغاز المسال – LPG (G30) 30 ملي بار/3.0 ك. باسكال،
- للغاز المسال – LPG (G31) 37 ملي بار/3.7 ك. باسكال.

يجب تشغيل جهازك بقيم الضغط المذكورة. فجميع المعلومات المذكورة على لوحة الصنع تم تحديدها بناء على قيم الضغط هذه. ولا تتحمل الجهة الصانعة أية مسؤولية عن أية تأثيرات تظهر على صلاحية الجهاز للاستعمال أو كفاءته أو أية مخاطر أخرى تنشأ عن تشغيل الجهاز بقيم ضغط أخرى خلافا لهذه القيم الموضحة. ملاحظة: لدواعي السلامة استخدم منظما لضغط الغاز عند التشغيل بالغاز المسال. ويجب أن يقوم فني معتمد بتوصيل وصيانة منظم الضغط.

ضبط الموضع والاستواء

ضبط موضع الجهاز

عند تركيب الجهاز في الموقع النهائي يراعى توافر حيز كافٍ لجره للأمام للقيام بأعمال التنظيف والصيانة. ويجب أن تكون الأرضية صلبة ومستقرة. ويلزم أن يكون الحائط الموجود خلف الجهاز مباشرة مزودا بمادة غير قابلة للاشتعال، كالبلاط مثلا. وإذا دعت الحاجة إلى جر الجهاز أثناء ضبط موضعه، فتأكد من إحكام ربط أرجل الضبط.

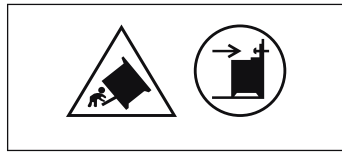
ضبط استواء الجهاز – صورة 9

أدر أرجل الضبط لغرض ضبط استواء الجهاز.

ملاحظة: لا تقم بضبط استواء الجهاز إلا بعد الانتهاء من جميع الأعمال.

وسيلة الحماية من الانقلاب

لتجنب خطر انقلاب الجهاز، يجب تركيب وسيلة الاتزان هذه.



1. قم بتثبيت لوح التثبيت بواسطة برغيين على الجدار الخلفي للجهاز. (صورة 10)
2. تأكد أن أرجل الضبط في وضعية صحيحة وأن الموقد على ارتفاع مناسب. (صورة 11)
3. قم بتوصيل عنصر التوصيل وزاوية التثبيت بالجدار مع بعضهما البعض بواسطة البرغيين والوردات والصواميل. (صورة 12)

ملاحظات

- يمكن عندئذ توصيل عنصر التوصيل مع زاوية التثبيت بالجدار بحيث يكون الجانب الطويل موجهاً لأعلى أو لأسفل.
 - ويجب أن يكون خابور تثبيت عنصر التوصيل على نفس مستوى ارتفاع فتحة لوح التثبيت وأن يكون مستقرا على الحافة السفلية للفتحة. (صورة 13)
 - زاوية التثبيت بالجدار يجب أن تلامس الأرضية. (صورة 14)
 - عند ربط زاوية التثبيت بالجدار وعنصر التوصيل يجب استخدام فتحات عنصر التوصيل الأكثر بعدا عن بعضها البعض. (صورة 12)
 - 4. تأكد من وجود مسافة تبلغ 50 مم بين ثقب التثبيت بالجدار والجدار الجانبي للجهاز. (صورة 15)
 - 5. قم بتمييز مواضع الثقوب على الجدار باستخدام قلم رصاص. قم بتثبيت زاوية التثبيت بالجدار باستخدام البرغيين ووسائل التثبيت المناسبة على الجدار. (صورة 16)
 - 6. حرك الجهاز نحو الجدار. (صورة 17)
- ملاحظة: يجب عندئذ أن يكون خابور تثبيت عنصر التوصيل موجودا في نطاق فتحة لوح التثبيت على الجدار الخلفي للجهاز.

توصيل الجهاز

يلزم تركيب صمام أمان لفتح وغلق مصدر الإمداد بالغاز. قم بتركيب صمام الأمان بين وصلة إمداد الحجرة المعنية بالغاز والجهاز. واحرص على أن يكون هذا الصمام في مكان يمكن الوصول إليه دون عائق.

التحقق من الإحكام ضد التسريب

بعد توصيل وصلة الغاز، تحقق من إحكام الوصلات ضد التسريب باستخدام محلول صابوني.

بدء التشغيل

قم ببدء تشغيل الجهاز وفقاً لما ورد في دليل الاستعمال. قم بإشعال جميع الشعلات وتحقق من تجانس اللهب مع أقصى وأدنى أوضاع ضبط.

تعديل ضبط نوع الغاز

يجب تعديل ضبط نوع الغاز إذا لم يكن الجهاز مضبوطاً بالفعل على نوع الغاز المتاح. ويجب أيضاً أن يتم تعديل ضبط نوع الغاز ليتناسب مع نوع غاز آخر بمعرفة فني معتمد ومع مراعاة الضوابط المعمول بها. ويوجد على لوحة الصنع نوع وضغط الغاز المضبوط مسبقاً في المصنع. لتعديل ضبط نوع الغاز على نوع غاز آخر يجب تغيير الفوهات، كما يجب ضبط اللهب الصغير والهواء الأولي جزئياً.

تغيير فوهات شعلات مواضع الطهي - صورة 7

1. افصل الجهاز عن مصدر التيار.
2. قم بفك قاعدة الأواني.
3. اخلع غطاء الشعلة A وطاسة الشعلة B من موضع الطهي C (صورة 7a).
4. أخرج الفوهة D واستبدلها بأخرى تناسب نوع الغاز الجديد (صورة 7b).
5. استبدل ملصق الغاز القديم بالجديد.
6. استبدل ملصق الغاز الجديد مرفق بطقم الفوهات.
7. قم بتركيب طاسة الشعلة B على موضع الطهي C.
8. قم بتركيب غطاء الشعلة A بدقة على طاسة الشعلة B (صورة 7c).

ضبط أدنى تدفق للغاز (صورة 8)

1. قم بتشغيل شعلات الغاز.
2. أدر طارة استعمال شعلة الغاز في اتجاه اللهب الصغير.
3. اخلع طارة استعمال شعلة الغاز.
4. قم بتعديل ضبط برغي الضبط الداخلي إلى أن تحصل على لهب متجانس بشكل سليم.
5. قم بحل برغي الضبط لزيادة تدفق الغاز أو أحكم ربطه لتقليل تدفق الغاز. ملاحظة: تأكد من عدم انطفاء اللهب عند التحويل السريع بين أقصى وأدنى تدفق للهب والعكس.
6. يكون وضع الضبط صحيحاً عندما يكون حجم اللهب الصغير 3 إلى 4 مم تقريباً.
6. أعد تركيب طارة استعمال شعلة الغاز.

الجهاز مطابق لفئة الحماية 1 ولا يجوز تشغيله إلا في ظل التوصيل بموصل أرضي. يجب فصل التيار عن الجهاز أثناء إجراء جميع أعمال التركيب. يجب توصيل الجهاز باستخدام سلك التوصيل المورد فقط. يجب ضمان الحماية من التلامس طوال عملية التركيب. يتعين أن يقوم فني معتمد فقط بتوصيل الجهاز. ويجب أن تسري عليه اشتراطات مرفق الكهرباء المحلي.

كابل التوصيل بقابس مزود بموصل أرضي

قم بتوصيل الجهاز باستخدام القابس المرفق المزود بموصل أرضي مع مقبس مزود بموصل أرضي مركب بشكل سليم. ويجب أن يسهل الوصول إليه بعد التركيب. وإذا لم يكن الأمر كذلك، فيجب استخدام مفتاح فصل لجميع الأقطاب بفتحة تلامس لا تقل عن 3 مم في موقع التركيب.

التوصيل بالغاز

يجب توصيل الجهاز حسب التعليمات المعمول بها حالياً. قبل تركيب الجهاز تحقق من توافق الاشتراطات المحلية (نوع وضغط الغاز) مع أوضاع ضبط الجهاز. تجد اشتراطات ضبط الجهاز على لوحة الصنع. التوصيل بوصلات الغاز وكذلك الأعمال التي تتم على الحيوانات يجب أن تتم بطريقة فنية سليمة وفقاً للمواصفات القياسية المعمول بها حالياً والخاصة بكل دولة.

وصلة الغاز بالجهاز

توجد وصلة الغاز بالجهاز من الخلف. مرفق بالجهاز كوع توصيل (EN ISO 228 G1/2 male - 228 G1/2 male) ومهائئ للغاز الطبيعي (EN ISO 228 G1/2 - EN 10226 R1/2) وجلبة خرطومية للغاز المسال (EN ISO 228 G1/2 - LPG).

الضبط المسبق للشعلات

الشعلات مضبوطة مسبقاً على الغاز المسال G30 (29 مللي بار). ومرفق بالجهاز طقم فوهات للغاز الطبيعي G20 (20 مللي بار).

توصيل الغاز الطبيعي - صورة 5a

اقتصر على استخدام أنابيب التوصيل أو الخراطيم المرنة المستوفية للوائح السارية والمصرح بها لهذا الغرض.

1. اربط الكوع (3) والجان (2) مع وصلة الغاز (1)
2. قم بتهيئة الكوع (3) جيداً باستخدام مفتاح ثم اربط قطعة المهائية (5) والجان (4) مع الكوع.
3. قم بتهيئة قطعة المهائية (5) باستخدام مفتاح، واربط أنبوب توصيل ثابت أو خرطوم مرن (6) لتوصيل الغاز.

لإحكام القلاووظ، لا تستخدم سوى وسائل الإحكام المصرح بها.

توصيل الغاز المسال - صورة 5b

عند توصيل الجهاز بالغاز المسال يجب دائماً تركيب منظم ضغط غاز مناسب. ارجع إلى لوحة الصنع لمعرفة المعدل الإجمالي لاستهلاك الجهاز من الغاز واختر بناءً عليه منظم ضغط الغاز المناسب.

اقتصر على استخدام أنابيب التوصيل أو الخراطيم المرنة المستوفية للوائح السارية والمصرح بها لهذا الغرض.

1. اربط الكوع (3) والجان (2) مع وصلة الغاز (1)
2. اربط الجلبة الخرطومية (5) والجان (4) بالكوع (3).
3. قم بتركيب الخرطوم المرن لتوصيل الغاز (7) على الجلبة الخرطومية (5).
4. أحكم ربط إسورة التثبيت (6).

لإحكام القلاووظ، لا تستخدم سوى وسائل الإحكام المصرح بها.

الخراطيم المرنة - صورة 6

تراعى النقاط التالية مع الخراطيم المرنة:

- عدم تعريض الخراطيم للانحصار أو الانضغاط.
- عدم تعريض الخراطيم لقوى شد أو التواء.
- إبعاد الخراطيم عن الحواف الحادة.
- إبعاد الخراطيم عن أية أجزاء يمكن أن تصل درجة حرارتها إلى ما يزيد على 70°م عن درجة حرارة الغرفة.
- تأكد من إمكانية الوصول إلى الخراطيم على كامل طولها بهدف فحصها.

لوحة الصنع

تجد المواصفات الفنية للجهاز على لوحة الصنع.

توجد لوحة الصنع على باطن غطاء درج الحفظ.

قيم الضبط موضحة بملصق على كرتونة الجهاز.

قم بتدوين رقم المنتج (E-Nr.) ورقم الصنع (FD) وأوضاع ضبط المصنع بشأن نوع الغاز/ضغط الغاز ونوع الغاز الذي يمكن التحويل إليه إن وجد في الجدول أدناه. تعتبر التعديلات التي تتم على الجهاز ونوع التوصيل من العوامل المهمة لتشغيل الجهاز بشكل سليم وأمن.

رقم المنتج E-Nr.	رقم الصنع FD-Nr.
خدمة العملاء ☎	
نوع الغاز/ضغط الغاز	
وضع ضبط المصنع	
نوع الغاز/ضغط الغاز	
إمكانية التحويل	

تعليمات التهوية وتصريف الهواء

لا يجوز تركيب هذا الجهاز إلا في مكان به تهوية كافية.

ويتحقق ذلك مع جميع أجهزة الغاز ذات القدرة الإجمالية التي تصل إلى 11 كيلوواط عندما تكون السعة الحجمية للغرفة المقرر تركيب الجهاز فيها أكبر من 15 م³ وأن يكون بها على الأقل باب يُفتح على الخارج أو نافذة يمكن فتحها.

مع جميع أجهزة الغاز ذات القدرة الإجمالية الأكثر من 11 كيلوواط يجب أن تكون السعة الحجمية للغرفة المقرر تركيب الجهاز فيها أكبر من 2 م³ لكل كيلوواط وأن يكون بها على الأقل باب يُفتح على الخارج أو نافذة يمكن فتحها. بالإضافة إلى ذلك يجب أن يكون هناك شفاط للأبخرة وتصريف الهواء أو تجهيزة تهوية للمسكن محكومة (وليس تدويرًا للهواء) تستطيع أن تضخ كميات من الهواء بمقدار 15 م³/ساعة على الأقل لكل كيلوواط من إجمالي قدرة جميع أجهزة الغاز. ويجب أن تكون هناك فتحات مناسبة لدخول الهواء.

ملاحظة: في بعض البلدان تسري متطلبات مختلفة فيما يتعلق بأدنى قيمة للسعة الحجمية. استعلم عن ذلك لدى مركز خدمة العملاء.

التركيب

يتم توريد هذا الجهاز ومعه طقم أرجل ضبط بالإضافة إلى غطاء زجاجي. الغطاء الزجاجي مركب بشكل مسبق.

تركيب أرجل الضبط - صورة 4

1. قم بإبعاد جميع الأجزاء غير المركبة بشكل ثابت، وخصوصًا قواعد الأواني والشعلات.
 2. أخرج الكماليات من الفرن.
 3. ارفع الجهاز عن الأرض من أحد الجوانب ثم قم بإمالة قليلاً.
 4. اربط أرجل الضبط في تجاويف التثبيت الموجودة على الجانب السفلي للجهاز.
- ملاحظة:** إذا اقتضت الحاجة بعد ذلك سحب الجهاز، فقم بربط أرجل الضبط بالكامل.
5. لا تضبط استواء الجهاز بشكل نهائي إلا بعد الانتهاء من توصيل الجهاز بالكهرباء والغاز وإتمام جميع أعمال التركيب.

التوصيل بالكهرباء

يتعين أن يقوم فني معتمد فقط بتوصيل الجهاز. يجب تركيب الجهاز وفقاً لأحدث مواصفات معهد مهندسي الكهرباء (IEE). فقد تلحق أضرار بالجهاز في حالة توصيله بشكل خاطئ.

تأكد من تطابق قيمة الجهد الكهربائي لشبكة الكهرباء مع القيمة المذكورة على لوحة الصنع.

تأكد من تأريض شبكة الكهرباء بشكل سليم وأن المصهر وكذلك نظام الكابلات والأسلاك في المبنى بأبعاد كافية لاستيعاب الحمل الكهربائي للجهاز. يوصى بتصميم الدائرة الكهربائية للجهاز على 16 أمبير.

عند تمرير كابل التوصيل يراعى ما يلي:

- عدم تعرض الكابل للانحصار أو الانضغاط.
- إبعاد الكابل عن الحواف الحادة.
- عدم ملامسة الكابل لأجزاء يمكن أن تصل درجة حرارتها إلى ما يزيد على 50°م عن درجة حرارة الغرفة.

إرشادات الأمان

اقرأ هذا الدليل بعناية واحتفظ به. فتركيب الجهاز بشكل سليم وفقاً لدليل التركيب هذا هو فقط الذي يضمن لك الأمان أثناء الاستخدام.

يتعين أن يقوم فني معتمد بتوصيل الجهاز.

عند الرغبة في تعديل الجهاز ليتناسب مع نوع آخر من الغاز، اتصل بمركز خدمة العملاء.

⚠ خطر تسرب الغاز!

بعد إجراء أعمال في وصلة الغاز افحصها دائماً من حيث الإحكام ضد التسريب. لا تتحمل الجهة الصانعة أية مسؤولية عن تسرب الغاز من وصلة غاز سبق أن تم العبث بها.

جهة التركيب أو التوصيل تعتبر هي المسؤولة عن الأضرار أو الاختلالات التي تنشأ عن التركيب أو التوصيل بشكل غير سليم.

عند تركيب الجهاز يجب مراعاة التعليمات السارية حالياً للأبنية والتعليمات الصادرة عن المرفق المحلي للكهرباء أو الغاز (مثلاً في ألمانيا: المواصفة DVGW-TRGI/TRGF، وفي النمسا: المواصفة ÖVGW-TR).

وقبل تنفيذ أية أعمال يجب إيقاف الإمداد بالكهرباء والغاز.

البيانات المذكورة على لوحة الصنع بخصوص الجهد الكهربائي ونوع وضغط الغاز يجب أن تتطابق مع الاشتراطات المحلية للتوصيل.

يجب دائماً تأريض الأجهزة الكهربائية.

في حالة تركيب شفاط، يجب تركيبه وفقاً لدليل التركيب الخاص به. تراعى أثناء ذلك البيانات الخاصة بأدنى مسافة نحو سطح الموقد.

لا يجوز تركيب هذا الجهاز في المراكب أو السيارات.

قبل التركيب

هذا الدليل مخصص للعديد من الموديلات. ومن الوارد أن تكون هناك بعض الاختلافات في التفاصيل حسب الموديل.

تراعى التعليمات التالية الخاصة بالجهاز وكذلك تعليمات التهوية وتصريف الهواء. تجد في هذا الفصل معلومات تتعلق بما يلي

- إخراج الجهاز من مواد التغليف
- فئات الأجهزة
- أبعاد الجهاز
- المسافات بين الجهاز ووحدات المطبخ المجاورة له
- لوحة الصنع

إخراج الجهاز من مواد التغليف

افحص الجهاز بعد إخراجه من مواد التغليف. في حالة وجود أضرار ناتجة عن عملية النقل لا يجوز توصيل الجهاز.

تخلص من مواد التغليف بطريقة لا تضر بالبيئة.

فئات الأجهزة - صورة 1

هذا الجهاز يتطابق مع فئات الأجهزة التالية:

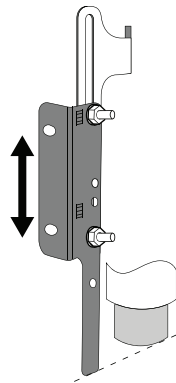
فئة الجهاز	الشرح
صورة 1a	موقد مُركب بشكل غير متحاذي
صورة 1b	الفئة 2 - الفئة الفرعية 1 موقد مُثبت مباشرةً بين وحدتين بحيث يكون متحاذاً لهما، وهو يتكون من وحدة واحدة ولكن يمكن أيضاً تركيبه بحيث يمكن الوصول إلى الجدران الجانبية

أبعاد الجهاز - صورة 2

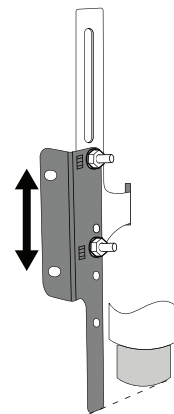
وحدات المطبخ المجاورة - صورة 3

الوحدات المجاورة والواجهات الخاصة بها يجب أن تتحمل السخونة حتى 90°م على الأقل. في حالة تركيب الجهاز على مسافة صغيرة من وحدات أخرى، فيجب الالتزام بأدنى قيم للمسافات المذكورة على الصورة.

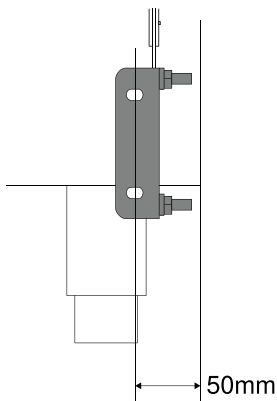
14a



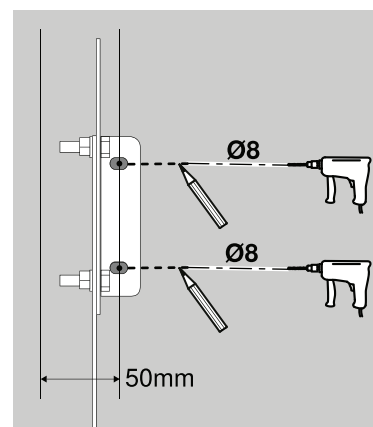
14b



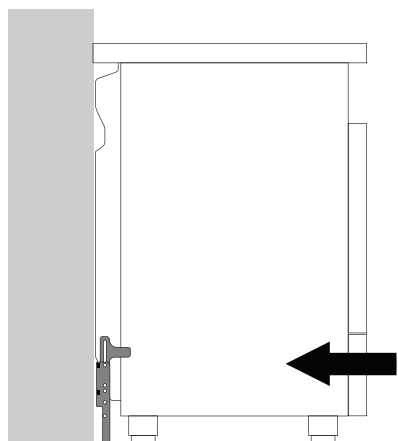
15



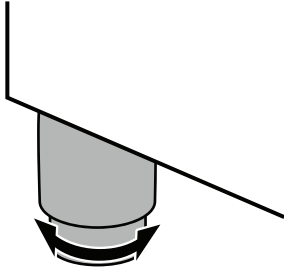
16



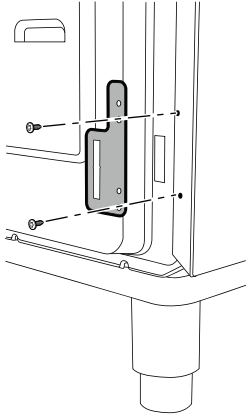
17



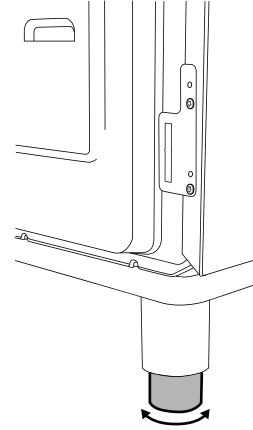
9



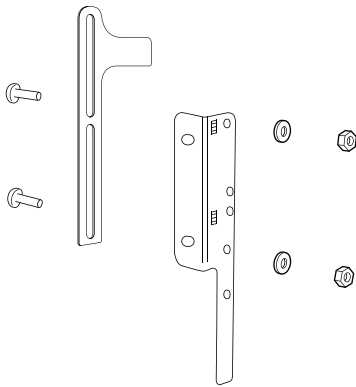
10



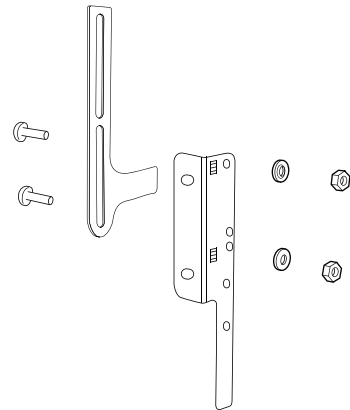
11



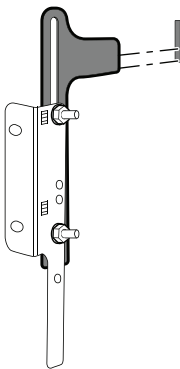
12a



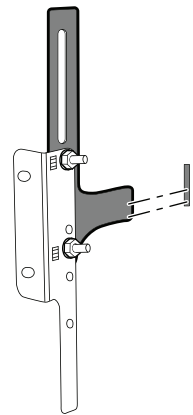
12b



13a

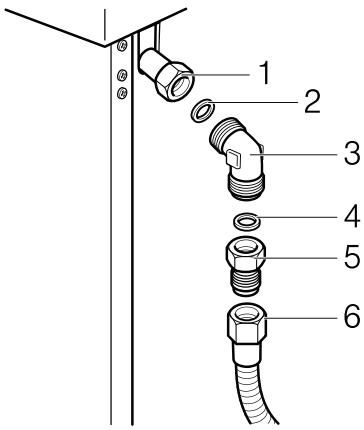


13b

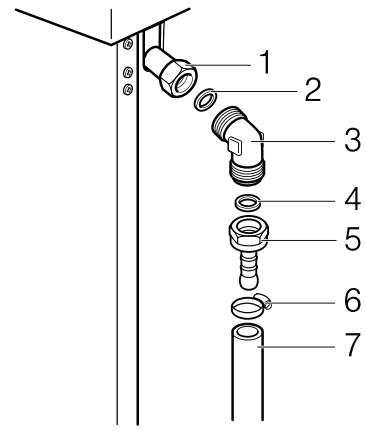


5

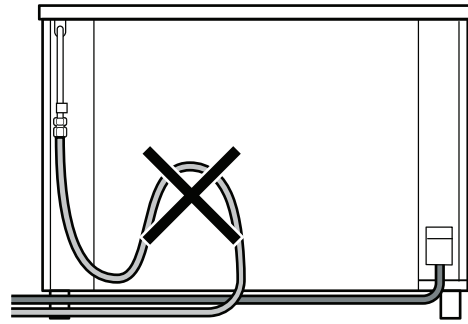
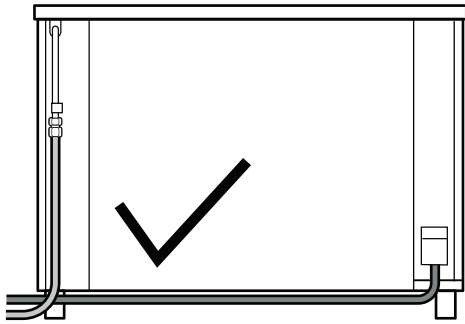
a



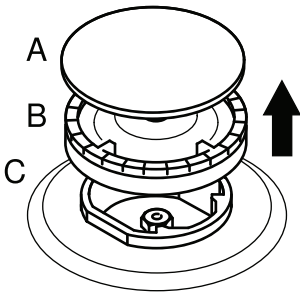
b



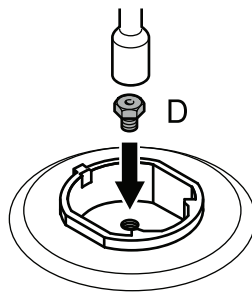
6



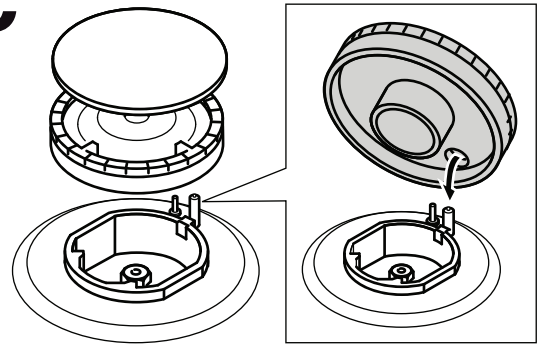
7a



b



c



8

