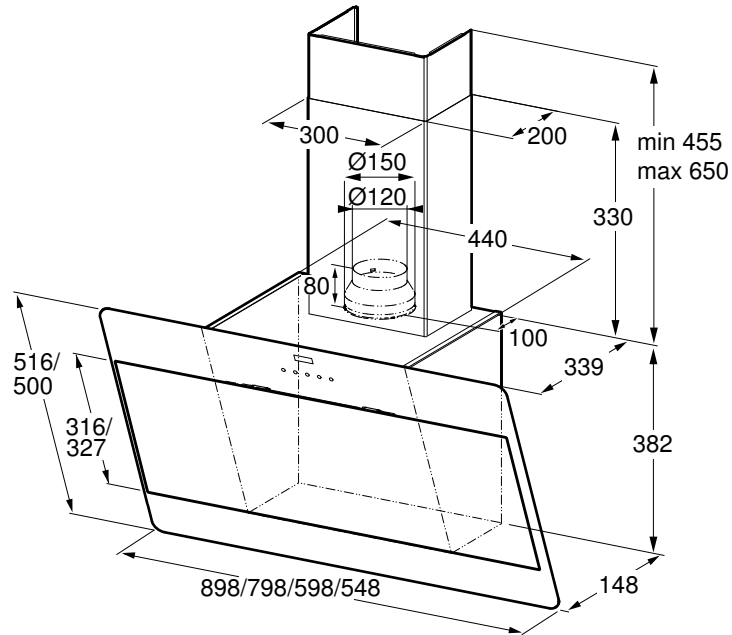
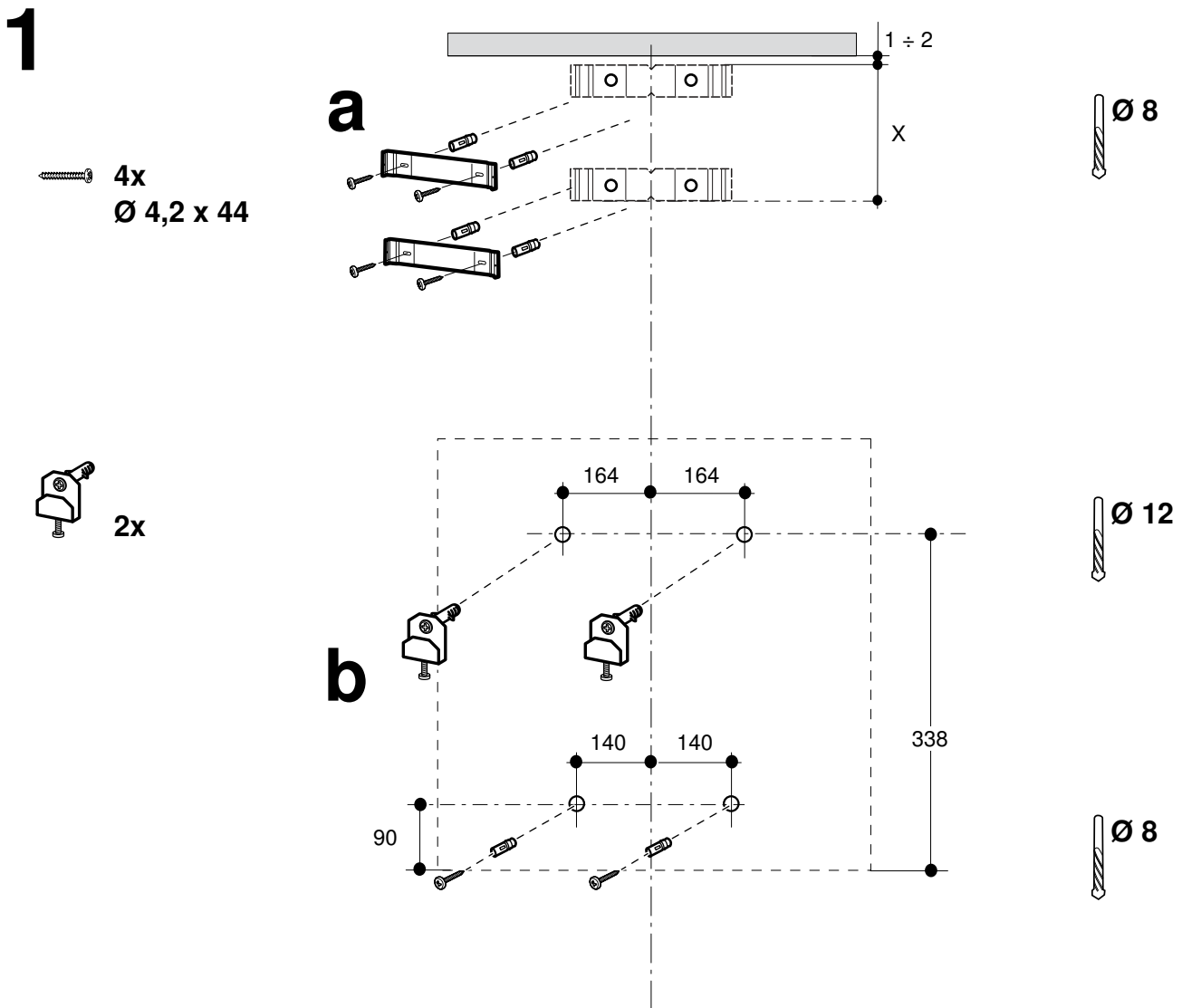
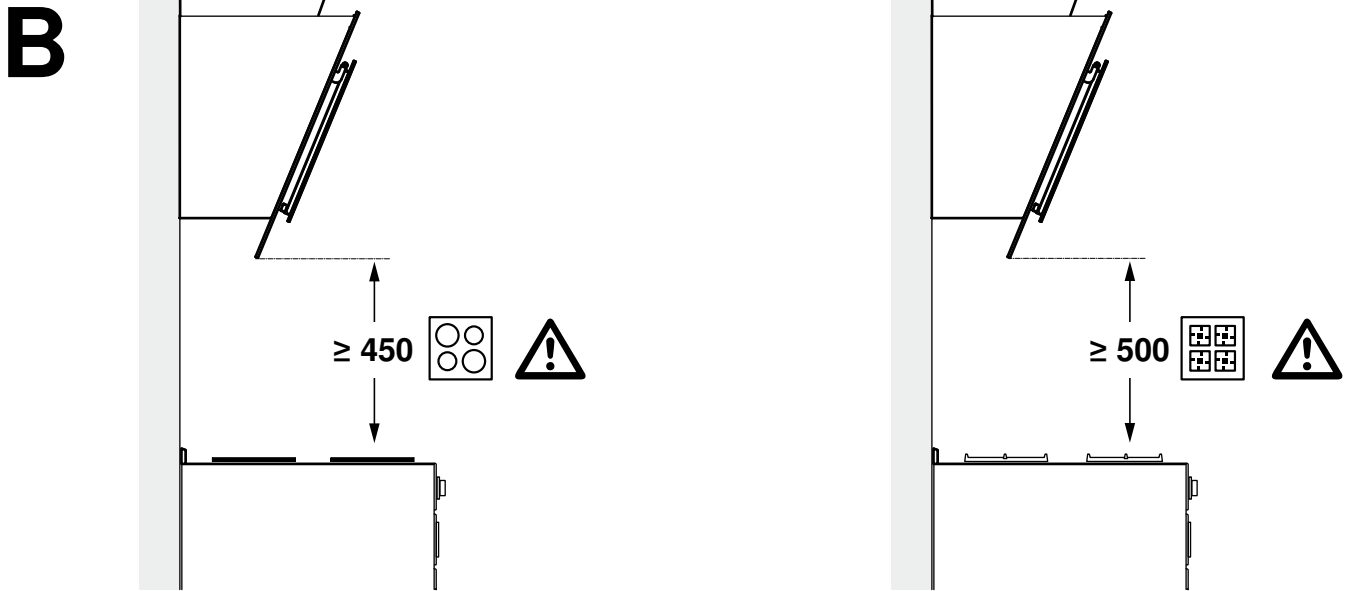
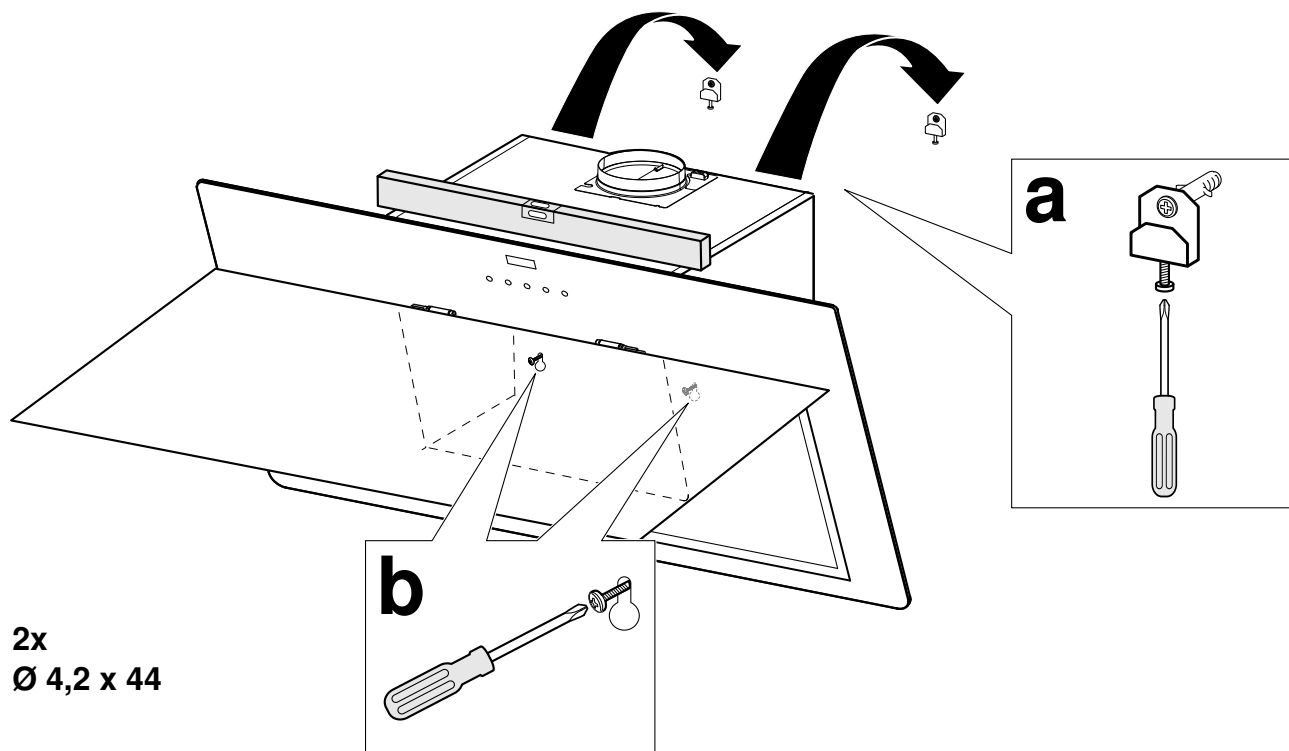


**A**

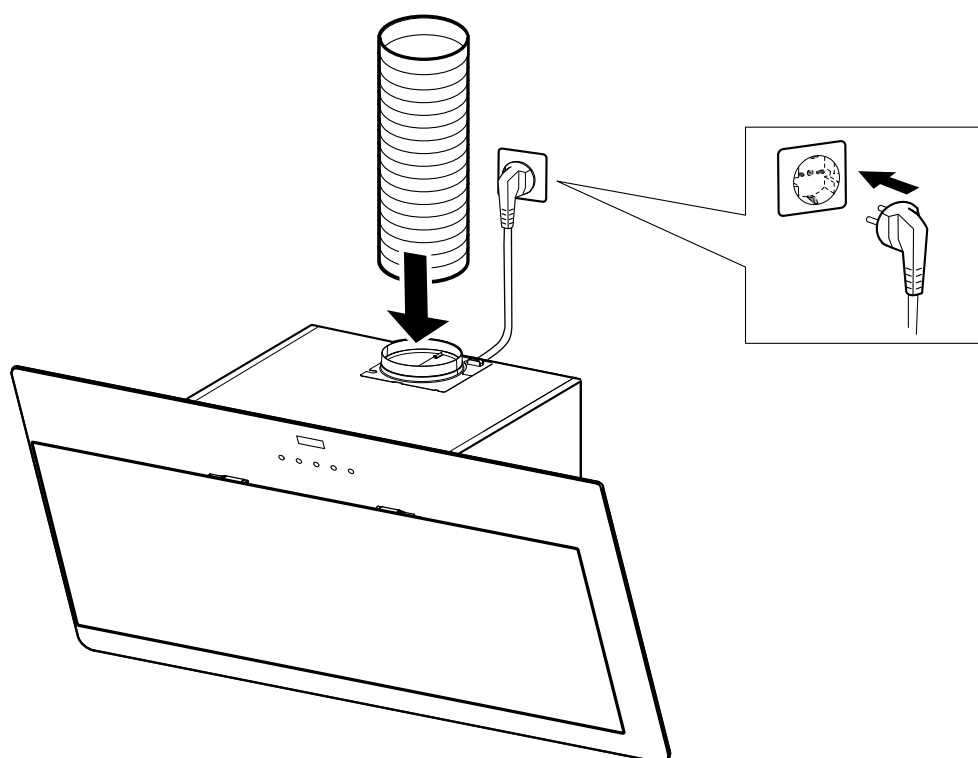




2



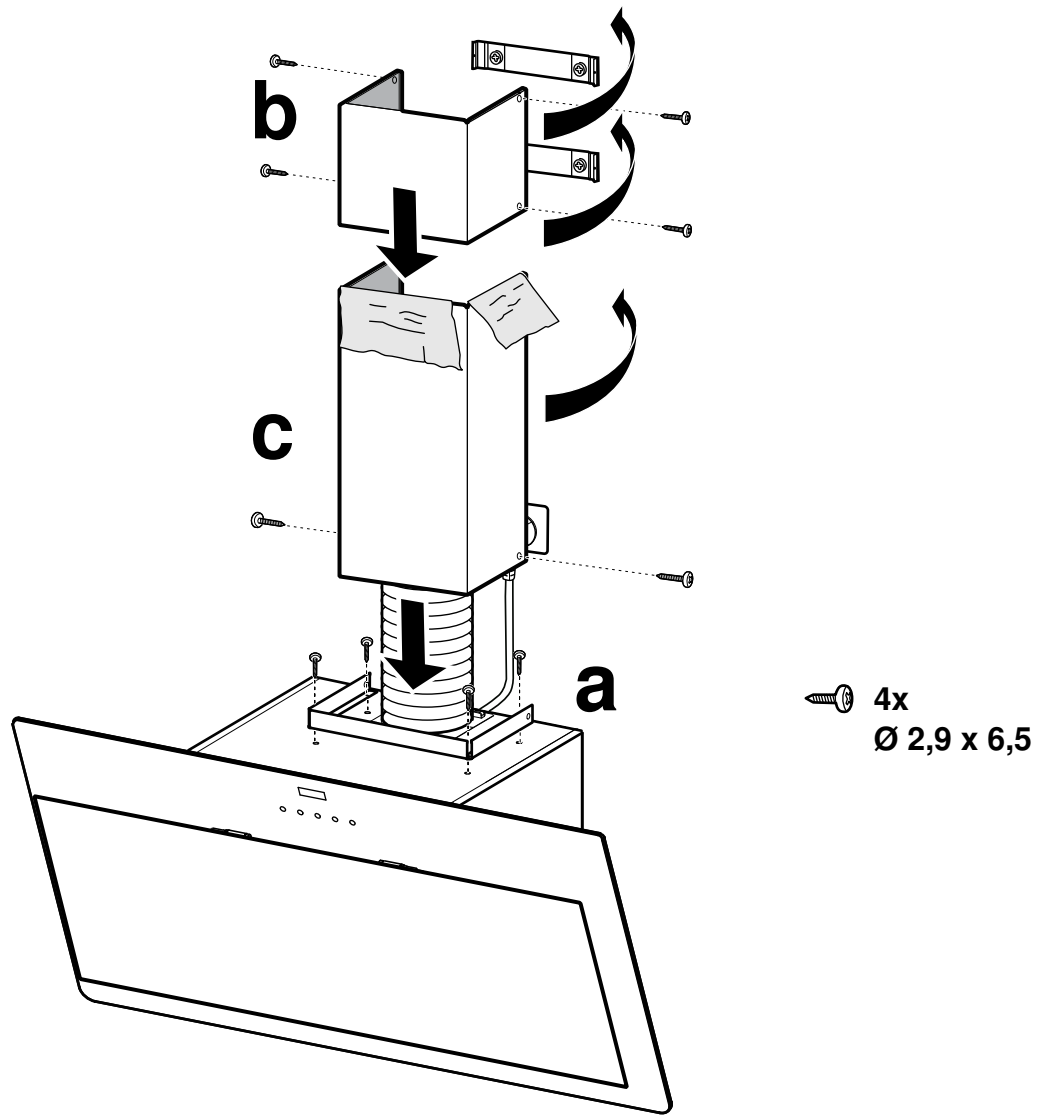
3



# 4

4x  
Ø 2,9 x 6,5

2x  
Ø 2,9 x 6,5



## ⚠ Important safety information

Read these instructions carefully. Only then will you be able to operate your appliance safely and correctly. Retain the instruction manual and installation instructions for future use or for subsequent owners.

The appliance can only be used safely if it is correctly installed according to the safety instructions. The installer is responsible for ensuring that the appliance works perfectly at its installation location.

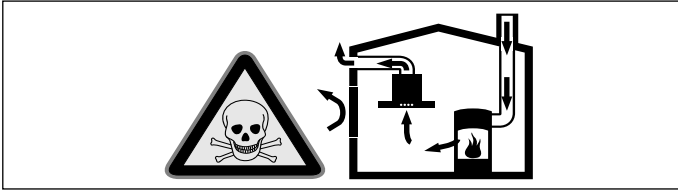
The width of the extractor hood must correspond at least with the width of the hob.

For the installation, observe the currently valid building regulations and the regulations of the local electricity and gas suppliers.

### Danger of death!

Risk of poisoning from flue gases that are drawn back in.

Always ensure adequate fresh air in the room if the appliance is being operated in exhaust air mode at the same time as room air-dependent heat-producing appliance is being operated.

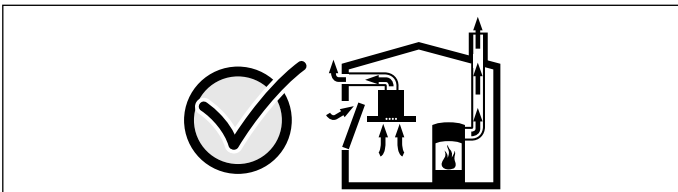


Room air-dependent heat-producing appliances (e.g. gas, oil, wood or coal-operated heaters, continuous flow heaters or water heaters) obtain combustion air from the room in which they are installed and discharge the exhaust gases into the open air through an exhaust gas system (e.g. a chimney).

In combination with an activated vapour extractor hood, room air is extracted from the kitchen and neighbouring rooms - a partial vacuum is produced if not enough fresh air is supplied. Toxic gases from the chimney or the extraction shaft are sucked back into the living space.

- Adequate incoming air must therefore always be ensured.
- An incoming/exhaust air wall box alone will not ensure compliance with the limit.

Safe operation is possible only when the partial vacuum in the place where the heat-producing appliance is installed does not exceed 4 Pa (0.04 mbar). This can be achieved when the air needed for combustion is able to enter through openings that cannot be sealed, for example in doors, windows, incoming/exhaust air wall boxes or by other technical means.



In any case, consult your responsible Master Chimney Sweep. He is able to assess the house's entire ventilation setup and will suggest the suitable ventilation measures to you.

Unrestricted operation is possible if the vapour extractor hood is operated exclusively in the circulating-air mode.

### Danger of death!

Risk of poisoning from flue gases that are drawn back in. If installing a ventilation system in a room with a heat-producing appliance connected to a chimney/flue, the electricity supply to the hood must be equipped with a suitable safety switch.

### Risk of fire!

Grease deposits in the grease filter may catch fire. The specified safety distances must be observed in order to prevent an accumulation of heat. Observe the specifications for your cooking appliance. If gas and electric hobs are operated together, the largest specified distance applies.

Only one side of the appliance may be installed directly next to a high-sided unit or a wall. The distance between the appliance and wall or high-sided unit must be at least 50 mm.

### Risk of injury!

- Components inside the appliance may have sharp edges. Wear protective gloves.
- The appliance may fall down if it has not been properly fastened in place. All fastening components must be fixed firmly and securely.
- The appliance is heavy. To move the appliance, 2 people are required. Use only suitable tools and equipment.

### Risk of electric shock!

Components inside the appliance may have sharp edges. These may damage the connecting cable. Do not kink or pinch the connecting cable during installation.

### Danger of suffocation!

Packaging material is dangerous to children. Never allow children to play with packaging material.

## General information

### Exhaust air mode

**Note:** The exhaust air must not be conveyed into a functioning smoke or exhaust gas flue or into a shaft which is used to ventilate installation rooms which contain heat-producing appliances.

- Before conveying the exhaust air into a non-functioning smoke or exhaust gas flue, obtain the consent of the heating engineer responsible.
- If the exhaust air is conveyed through the outer wall, a telescopic wall box should be used.

### Exhaust duct

**Note:** The device manufacturer does not assume any warranty for complaints attributable to the pipe section.

- The device achieves its optimum performance by means of a short, straight exhaust air pipe and as large a pipe diameter as possible.
- As a result of long rough exhaust air pipes, many pipe bends or pipe diameters that are smaller than 150 mm, the optimum extraction performance is not achieved and fan noise is increased.
- The pipes or hoses for laying the exhaust air line must consist of non-combustible material.

### Round pipes

An inner diameter of 150 mm, but at least 120 mm, is recommended.

### Flat ducts

The inner cross-section must correspond to the diameter of the round pipes.

**dia. 150 mm ca. 177 cm<sup>2</sup>**

**dia. 120 mm ca. 113 cm<sup>2</sup>**

- Flat ducts should not have any sharp deflections.
- Use sealing strips for deviating pipe diameters.

### Checking the wall

- The wall must be level, vertical and adequately load-bearing.
- The depth of the bore holes must be the same length as the screws. The wall plugs must have a secure grip.
- The enclosed screws and wall plugs are suitable for solid brickwork. Suitable fasteners must be used for other structures (e.g. plasterboard, porous concrete, perforated bricks).
- The max. weight of the extractor hood is **40 kg**.

### Electrical connection

#### ⚠ Risk of electric shock!

Components inside the appliance may have sharp edges. These may damage the connecting cable. Do not kink or pinch the connecting cable during installation.

The required connection data can be found on the rating plate inside the appliance; to do this, remove the metal mesh grease filter.

### Length of the cable: approx. 1.30 m

This appliance complies with the EC interference suppression regulations.

This appliance may be connected to a correctly installed earthed socket only.

Attach the earthed socket preferably inside the flue duct.

- The earthed socket should be connected via its own circuit.
- If the earthed socket is no longer accessible following installation of the appliance, a disconnecter must be fitted as for a permanent connection.

If a permanent connection is required, the installation must feature an all-pole disconnecter (circuit breakers, fuses and contactors) with a min. 3 mm contact opening. The permanent connection may be installed by an electrician only.

### Appliance dimensions and safety clearances

- Observe the appliance's dimensions. (Fig. A)
- Comply with the safety clearances. (Fig. B)

### Preparing for installation

#### Caution!

Ensure that there are no electric wires, gas or water pipes in the area where holes are to be made.

1. Mark a vertical centre line on the wall from the ceiling to the lower edge of the extractor hood. (Fig. 1)
2. Mark holes for the flue's fixing brackets. The centre of the fixing brackets is identified with a notch. Place the fixing brackets in the centre of the centre line, align it horizontally and mark the positions of the holes. The distance X between the two fixing brackets corresponds to the length of the upper part of the flue. (Fig. 1a)
3. Mark holes for the mounting brackets and for the means of securing the appliance. (Fig. 1b)
4. Drill the holes.
5. Press in the wall plugs flush with the wall.

### Fitting the appliance

#### Fitting the wall bracket

1. Screw on the fixing bracket for the flue duct. (Fig. 1a)
2. Screw on mounting brackets for the appliance. (Fig. 1b)

#### Attaching and aligning the appliance

##### ⚠ Risk of injury!

Components inside the appliance may have sharp edges. Wear protective gloves.

1. Remove metal grease filter; see instructions for use.
2. Initially remove the protective foil from the back of the appliance and, following installation, remove the foil completely.
3. When attaching the appliance, ensure that it engages firmly with the brackets. (Fig. 2)
4. Align the appliance horizontally by turning the screws on the mounting brackets. The screws are accessible from the inside of the appliance. If required, the appliance can be moved a little to the right or to the left. (Fig. 2a)

#### Securing the appliance

1. Screw in the retaining screws on the inside of the appliance. (Fig. 2b)
2. Fit metal grease filter; see instructions for use.

#### Connecting the appliance (Fig. 3)

##### Notes

- For exhaust-air operation, a backflow flap should be fitted. If a backflow flap has not been included with the appliance, it can be obtained from a specialist retailer.
- If the exhaust air is conveyed through the outer wall, a telescopic wall box should be used.

#### Connecting the air extractor

**Note:** If using an aluminium pipe, smooth the connection area beforehand.

1. Attach the air extractor pipe directly to the air-pipe connector.
2. Connect to air extractor opening.
3. Seal the joints appropriately.

#### Connect the power supply

1. Plug the mains plug into the earthed socket.
2. If a fixed connection is required, please follow the instructions in the Electrical Connection section.

### Attaching the flue duct

##### ⚠ Risk of injury!

Components inside the appliance may have sharp edges. Wear protective gloves.

1. Screw the fixing brackets for the flue ducts to the appliance. (Fig. 4a)
2. Remove the protective foil from both flue ducts.
3. Attach the upper flue duct. (Fig. 4b)  
Bend the two side panels slightly apart, attach them behind the fixing brackets and push them together as far as they will go.  
**Note:** In exhaust-air mode, fit the flue duct with the slots facing downwards.
4. Screw the upper flue duct to the sides of the two fixing brackets.
5. Attach the lower flue duct. (Fig. 4c)  
Bend the two side panels slightly apart, attach them behind the upper flue duct and push them together as far as they will go.  
**Note:** To prevent scratches, lay paper over the edges of the lower flue duct to protect the surface.
6. Place the flue ducts on the appliance and screw them to the sides of the fixing bracket.

#### Removing the appliance

1. Detach the flue duct.
2. Disconnect the appliance from the power supply.
3. Detach the exhaust-air lines.
4. Undo the retaining screws.
5. Remove the appliance.



