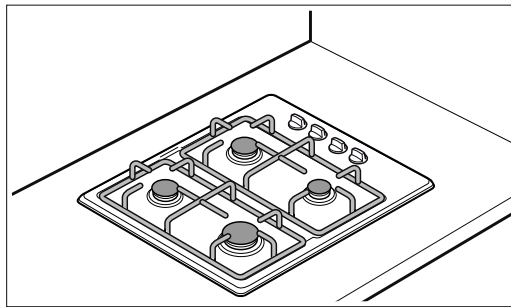


<b>en</b>	<b>Installation instructions</b> .....	<b>3</b>
<b>kk</b>	<b>Монтаждау нұсқаулығы</b> .....	<b>13</b>
<b>ru</b>	<b>Инструкция по монтажу</b> .....	<b>23</b>

Gas hob  
Газ плитасының әзірлеу беті  
Газовая варочная панель





# en Installation instructions

<b>Safety precautions</b> .....	3	Parts for the gas conversion .....	8
<b>Before installing</b> .....	3	Converting the appliance from natural gas to liquefied gas (LPG) .....	8
<b>Preparing the units</b> .....	4	Converting the appliance from liquid gas to natural gas .....	9
<b>Installation of appliance</b> .....	4	Replacing the burner nozzles.....	9
Setting up the appliance.....	5	Adjusting or replacing the bypass nozzles .....	9
<b>Removal of hob</b> .....	5	Removing the hob plate .....	10
<b>Set-up, gas and electricity connection</b> .....	5	Replacing the bypass nozzles.....	10
Gas connection .....	5	Installing the hob .....	11
Faults in the gas installation/smell of gas.....	5	<b>Leak test and function test</b> .....	11
Electrical connection .....	6	Check the gas connection .....	11
<b>Types of connection</b> .....	6	Checking the burner nozzles.....	11
Connection for natural gas (NG) .....	6	Checking the bypass valves.....	11
Liquid gas connection (LPG).....	7	<b>Correct flame formation</b> .....	11
<b>Conversion to a different gas type</b> .....	7	Burner.....	11
Measures to note.....	7	<b>Technical data – Gas</b> .....	12
Converting to a different gas type .....	8		

## Safety precautions

Read the appliance instructions before installing and using.

The graphics in these Assembly instructions are given as a guide only.

**The manufacturer is exempt from all liability if this manual's requirements are not complied with.**

**All operations relating to installation, regulation and conversion to other gas types must be carried out by an authorised installation engineer, respecting all applicable regulations, standards and the specifications of the local gas and electricity providers.**

**You are recommended to contact the Technical Assistance Service to convert to another gas type.**

**Before you begin, turn off the appliance's electricity and gas supply.**

This appliance has been designed for home use only, not for commercial or professional use. This appliance cannot be installed on yachts or in caravans. The warranty will only be valid if the appliance is used for the purpose for which it was designed.

After connecting the appliance, check that the local conditions (type of gas and pressure) are compatible with the appliance settings. The permissible appliance settings can be found on the label or rating plate.

These instructions are only valid if the appropriate country symbol appears on the appliance. If the symbol does not appear on the appliance, it is necessary to refer to the technical instructions which will provide the necessary instructions concerning modification of the appliance to the conditions of use of the country.

This appliance can only be installed in a well-ventilated place in accordance with existing regulations and ventilation specifications. The appliance must not be connected to a combustion product removal device.

The supply cable must be attached to the unit to prevent it from touching hot parts of the oven or hob.

Appliances with electrical supply must be earthed.

Do not tamper with the appliance's interior. If necessary, call our Technical Assistance Service.

## Before installing

This appliance is class 3 type, according to the EN 30-1-1 regulation for gas appliances: built-in appliance.

The units next to the appliance must be made of non-flammable materials. The laminated covering and glue for adhering it must be heat resistant.

This appliance cannot be installed above fridges, washing machines, dishwashers or similar.

If the hob is installed above an oven, it must have forced ventilation. Check the dimensions of the oven in your installation instructions.

If an extractor hood is fitted, this must be done according to the installation instructions and always allowing for a vertical minimum clearance of 650 mm to the hob.

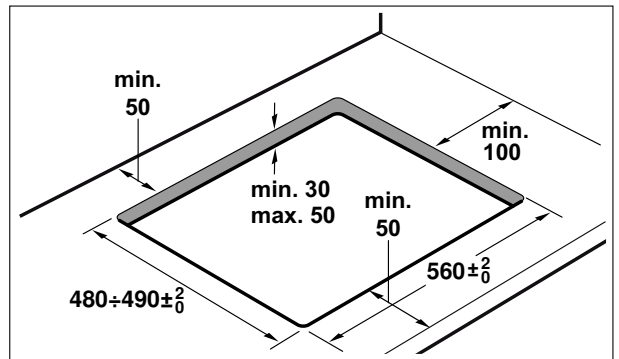
## Preparing the units

Make an appropriate size cut in the work surface.

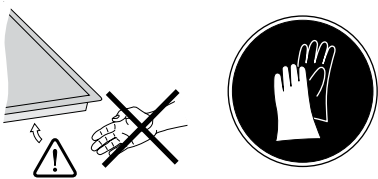
The appliance must be set up and inserted in accordance with the specified dimensions. The appliance must not be set up on any other object.

If the hob is electric or mixed (gas and electricity) and there is no oven below, place a non-flammable separator (e.g. metal or plywood) 10 mm from the bottom of the hob. This will prevent access to the base of the hob. If the hob is gas, it is recommendable to place the separator at the same distance.

On wood work surfaces, varnish the cutting surfaces with a special glue. This protects them from moisture which could collect under the work surface.

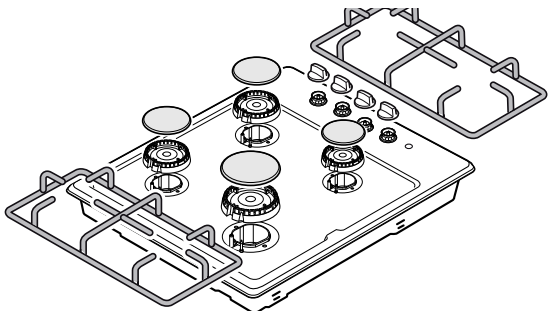


## Installation of appliance



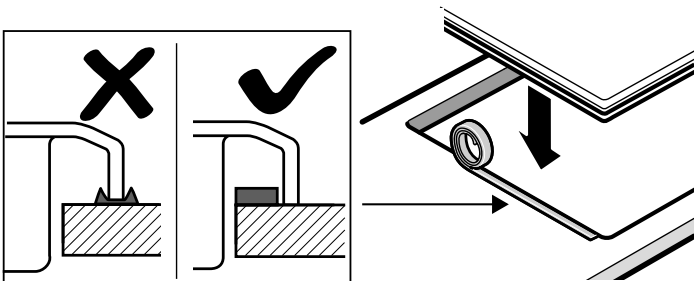
**Note:** Wear protective gloves to fit the hob.

Remove the pan support, handles, burner cap and burner heads.



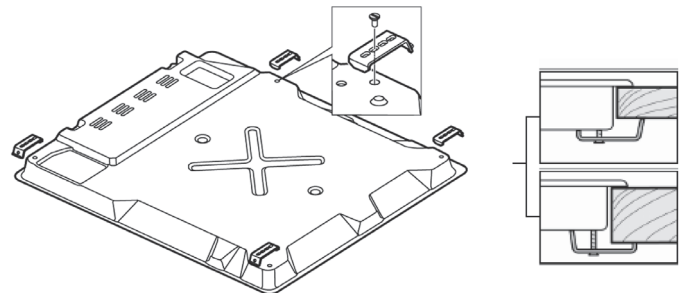
Turn the appliance over carefully and place it on a soft cloth. Make sure that the ignition parts are not damaged.

The adhesive seal provided prevents leaks. Adhere it to the work surface around the cut-out. It must be adhered around the edge of the area cut out.



Fitting the appliance onto the kitchen unit:

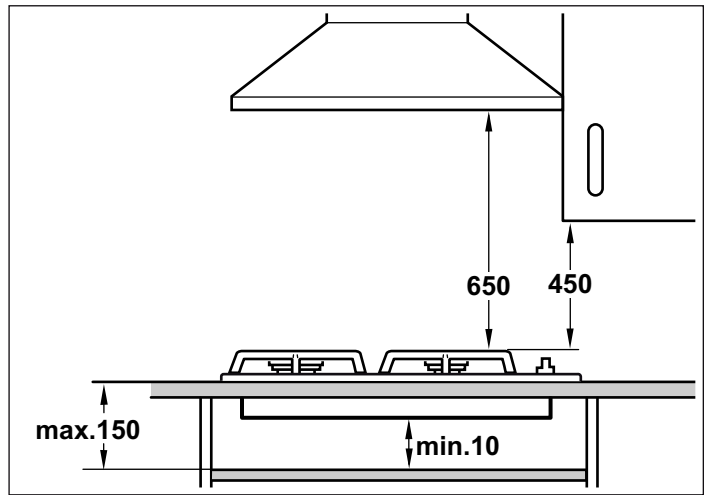
1. Remove the clips from the accessory bag and screw them into the position indicated so that they can turn freely.
2. Insert and centre the hob.  
Press the sides of the hob until it is supported around its entire perimeter.
3. Turn the clips and tighten them fully.  
The position of the clips depends on how thick the work surface is.



Do not stick the hob onto the worktop with silicone.

## Setting up the appliance

- The distance between the top edge of the cooker and the bottom edge of the extractor hood must comply with the extractor hood manufacturer's specifications.
- Ensure that the appliance is not moved again after it is set up. In particular, the distance from the high-output burner to the fronts of adjacent units or from the wall must be at least 50 mm.
- The underside of the appliance heats up during operation. We therefore recommend that you install a guard plate on the underside of the appliance.



## Removal of hob

Turn off the appliance's electricity and gas supply.

Unscrew the clips and proceed in the reverse order to installation.

## Set-up, gas and electricity connection

### Gas connection

Installation must only be performed by an approved expert or a licensed after-sales service engineer in accordance with the instructions specified in the "Installation instructions".

#### For the licensed expert or after-sales service

##### Caution!

The setting values for this appliance are specified on the rating plate on the back of the appliance. The gas type set in the factory is marked with an asterisk (\*).

If the star symbol appears next to the label "NG", the appliance is set up for natural gas, and if it appears next to "LPG", the appliance is set up for liquefied gas.

##### Caution!

Before connecting the appliance, check whether the local connection conditions (gas type and pressure) correspond to the appliance settings. If a change to the appliance settings is necessary, make the change with the aid of the instructions in the "Installation instructions".

##### Caution!

This appliance is not connected to a waste gas main. It must be connected and commissioned in accordance with the installation conditions. Do not connect the appliance to a waste gas main. All ventilation regulations must be observed.

##### Caution!

The gas connection must be made via a fixed, i.e. not mobile connection (gas line) or via a safety hose.

##### Caution!

If using the safety hose, ensure that the hose is not trapped or crushed. The hose must not come into contact with hot surfaces.

##### Caution!

The gas connection must have an easily accessible locking device.

### Safety information

The nominal operating pressure of the appliance is:

for natural gas (G20) 20 mBar, for natural gas (G25) 25 mBar, for LPG (G30) 30 mBar, for LPG (G31) 37 mBar. The appliance must be operated at these pressure values. All data on the rating plate of your appliance relates to these pressure values. The manufacturer is not responsible for results, performance or any risk caused by operating the appliance at different values.

#### ⚠ If the gas pressure in your gas supply grid!

for natural gas (G20) is higher than 25 mBar, for natural gas (G25) is higher than 30 mBar, for LPG (G30) is higher than 36 mBar, for LPG (G31) is higher than 45 mBar, you must use your appliance in conjunction with a suitable gas regulator, for safety reasons. Connection, maintenance and configuration of the gas regulator must be performed by an authorised installation expert. If you do not know the gas pressure in your gas supply grid, please ask your local supply grid operator.

### Faults in the gas installation/smell of gas

If you notice a smell of gas or faults in the gas installation, you must:

#### ⚠ WHAT TO DO IF YOU SMELL GAS!

Escaping gas may cause an explosion.

#### If you smell gas or notice any faults in the gas installation:

- Immediately shut off the gas supply or close the gas cylinder valve.
- Immediately extinguish all naked flames and cigarettes.
- Do not use any light or appliance switches and do not pull any plugs out of sockets. Do not use any telephones or mobile phones within the building.
- Open windows and ventilate the room.
- Call the after-sales service or the gas supplier.

## Electrical connection

### Caution!

- Have the appliance set up by your after-sales service. A 16 A fuse is required for connection. The appliance is designed for operation at 220-240 V.
- If the electricity supply drops below 180 V, the electrical ignition system does not work.
- Any damage arising from the appliance being connected incorrectly will invalidate the guarantee.
- If the supply cord is damaged, it must be replaced by the manufacturer, its service agent or similarly qualified persons in order to avoid a hazard.

### For the after-sales service

#### Caution!

The electrical connection must only be carried out by a licensed service technician. Observe the instructions of the relevant electricity provider.

#### Caution!

The appliance must be connected in accordance with the data on the rating plate.

#### Caution!

The mains voltage must correspond to the voltage specified on the label or rating plate.

#### Caution!

Only connect the appliance to an electrical connection that meets the applicable provisions. The socket must be easily accessible

so that you can disconnect the appliance from the electricity supply if necessary.

#### Caution!

Please ensure the availability of a multi-pin disconnecting system.

#### Caution!

Never use extension cables or multiple plugs.

#### Caution!

For safety reasons, this appliance must only be connected to an earthed connection. If the safety earth terminal does not comply with regulations, safety against electrical hazards is not guaranteed.

#### Caution!

You must use a H 05 W-F type cable or equivalent for the appliance connection.

### Connection for models with mains cable without plug (optional):

#### Caution!

Appliances fitted with three-core cables must be earthed.

Connect the wires with the mains cable according to the following colour coding:

Green/yellow	Earth ⊕
Blue	Neutral
Brown	Phase

If the mains cable has to be replaced: Connect the cable to the appliance according to the wiring diagram.

## Types of connection

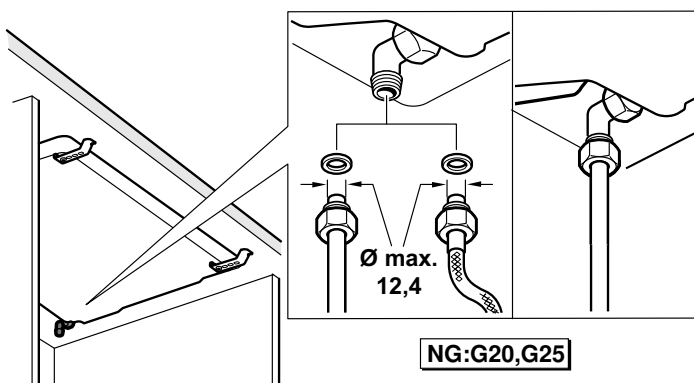
These instructions apply only when the appliance is set up in countries that are indicated on the rating plate.

**Note:** If the appliance is set up, connected and used in a country that is not indicated on the rating plate, installation and assembly instructions must be used that contain data and information on the valid connection conditions in the relevant country.

The gas connection must be located in a position where the stop tap is accessible.

### Connection for natural gas (NG)

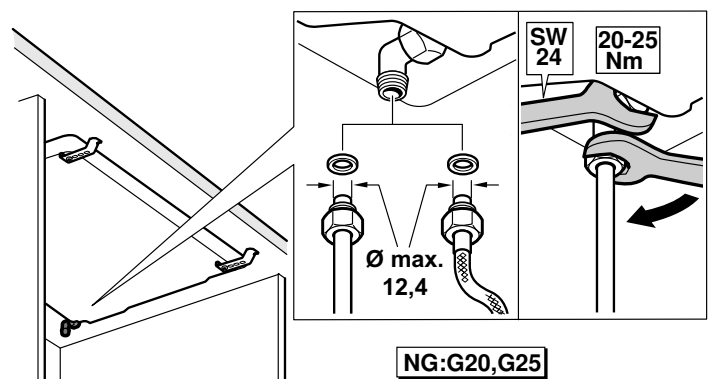
If natural gas (NG) is used, the gas connection should be established via a gas pipe or via a flexible safety gas hose with threaded connections at both ends.



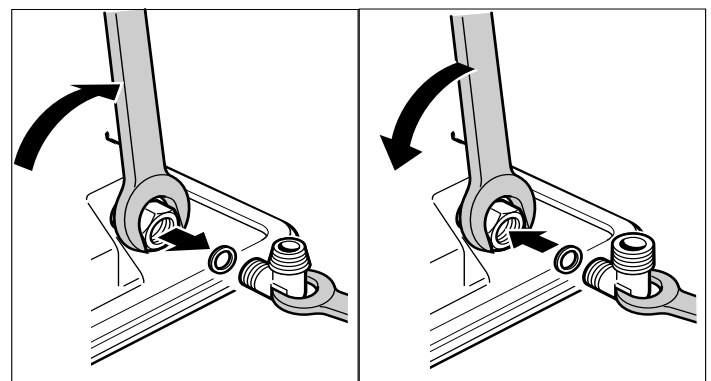
Place the gas pipe or the flexible safety gas hose with thread (using a size 24 key) and with a new seal on the connecting piece and tighten it securely.

After establishing the connection, carry out a leak test. See the section "Leak test".

**Note:** Use a torque wrench to connect the appliance.



**Note:** If a cylindrical connection is required, replace the clamp that is installed at the factory with the cylindrical clamp from the accessory kit.



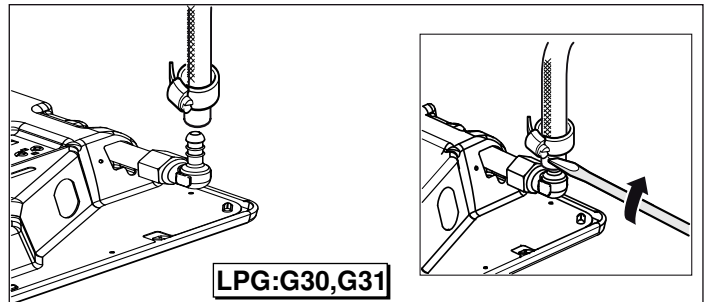
The permissible natural gas connection types according to country are as follows:

Country	EN 10226 R <sup>1/2</sup> (TS 61-210 EN 10226 R <sup>1/2</sup> )	EN ISO 228 G <sup>1/2</sup> (TS EN ISO 228 G <sup>1/2</sup> )
AT Austria	X	
BE Belgium		X
CH Switzerland	X	
DE Germany	X	
ES Spain	X	X
FR France		X
GR Greece	X	
IT Italy	X	X
NL Netherlands	X	
PT Portugal	X	X
HR Croatia	X	
SL Slovenia	X	
XS Serbia	X	
DE Turkey	X	X
PL Poland	X	X
RO Romania	X	X
AE United Arab Emirates		X
ZA South Africa		X
HU Hungary	X	
RU Russia		X
GB England	X	

- It must be secured to the gas connection using an approved connecting device (for example, a hose clamp).
- The hose must be short and completely leak-tight. The hose can have a maximum length of 1.5 m. Observe the current guidelines.
- The gas hose must be replaced at least once a year.

Fit the flexible safety gas hose and use a screw connection or a cable clamp to tighten it securely.

After establishing the connection, carry out a leak test. See the section "Leak test".



## Liquid gas connection (LPG)

### Caution!

Observe the country-specific guidelines.

If liquid gas (LPG) is used, the gas connection should be established via a gas hose or a fixed connection.

Important information when using a gas hose:

- A safety gas hose or a plastic hose (8 mm diameter) must be used.

## Conversion to a different gas type

### Measures to note

**The appliance may only be converted to a different gas type by an approved specialist, in accordance with the instructions in this manual.**

**Incorrect connection and incorrect settings may cause serious damage to the appliance. The appliance manufacturer accepts no liability for damage and malfunctions of this kind.**

Pay close attention to the symbols indicated on the rating plate. If there is no symbol for your country, follow the technical guidelines that apply in your country when making settings.

Before setting up the appliance, determine the gas type and pressure in the local supply network. Before using the appliance for the first time, make sure that all settings have been made correctly.

Pay attention to local and international rules and regulations.

All connection data can be found on the rating plate on the rear of the appliance at the bottom.

Enter the data in the following table:

Product number (E no.),  
Manufacturing number (FD),  
Enter the factory settings for gas type/gas pressure, as well as the settings for gas type/pressure that apply after the gas conversion, in the following table.

E no.	FD no.
After-sales service ☎	
Type of gas / gas pressure	
Data on the rating plate	
Type of gas / gas pressure	
Data after gas conversion	

The changes made to the appliance and the type of connection play an important role in ensuring that the appliance operates correctly and safely.

## Converting to a different gas type

- The gas connection must be replaced.
- The nozzles for the burners must be replaced.
- Depending on the factory gas setting, the bypass nozzles in the burner valves must either be replaced, or screwed in fully.

Numbers are printed on the nozzles indicating their diameter. Further information about the gas types suitable for the appliance, as well as the corresponding gas nozzles, can be found in the section entitled "Technical properties - gas".

### After the conversion

- After the appliance has been converted to a different gas type, you must perform a leak test. See the section entitled "Leak test".
- After the appliance has been converted to a different gas type, you must check the flame behaviour. See the section entitled "Correct flame behaviour".
- Enter the newly-set type of gas and gas pressure in the table. See the section entitled "Measures to be observed".

### Caution!

After the appliance has been converted to a different gas type, the labels giving information on the gas type and showing a star must be affixed at the appropriate point on the rating plate **MAKE SURE THAT YOU DO THIS**.

## Parts for the gas conversion

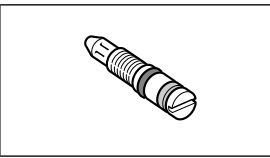
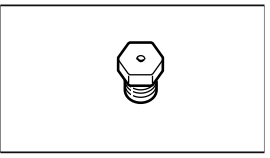
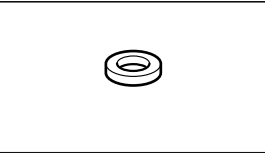
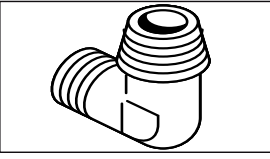
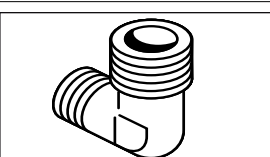
Illustrations of the parts that are required for the gas-type conversion are included below.

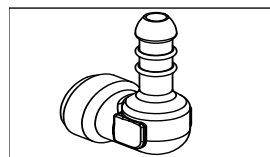
To determine the correct nozzle diameter, see the table "Technical data – Gas".

Always use a new seal.

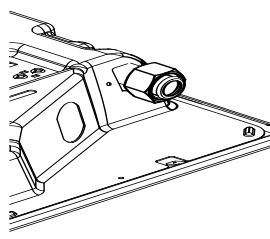
The gas connecting piece may vary depending on the gas type and the country-specific guidelines.

(\*) You must never establish a gas connection without these parts.

	<b>Bypass nozzle</b>
	<b>Burner nozzle</b>
	<b>(*) Seal</b>
	<b>(*) Connecting piece for natural gas</b> <b>(NG: G20, G25)</b> TS 61-210 EN 10226 R $\frac{1}{2}$ EN 10226 R $\frac{1}{2}$
	<b>(*) Connecting piece for natural gas</b> <b>(NG: G20, G25)</b> TS EN ISO 228 G $\frac{1}{2}$ EN ISO 228 G $\frac{1}{2}$



**(\*) Connecting piece for liquid gas (LPG: G30, G31)**



**Screw connection**

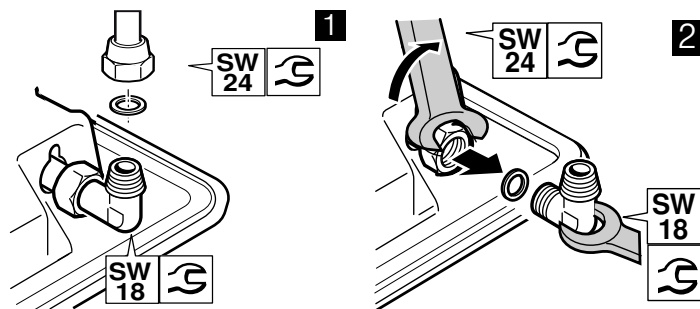
## Converting the appliance from natural gas to liquefied gas (LPG)

If the appliance is converted from natural gas (NG: G20, G25) to liquid gas (LPG: G30, G31):

Replace the natural gas adaptor in the appliance with a liquid gas connection pipe.

- First, loosen the flexible safety gas hose or the gas pipe and disconnect it from the appliance. For this, disconnect the gas pipe or the threaded screw connection on the flexible safety gas line (using a size 24 key) from the gas connecting pieces (**held using a size 18 key**). Figure 1.

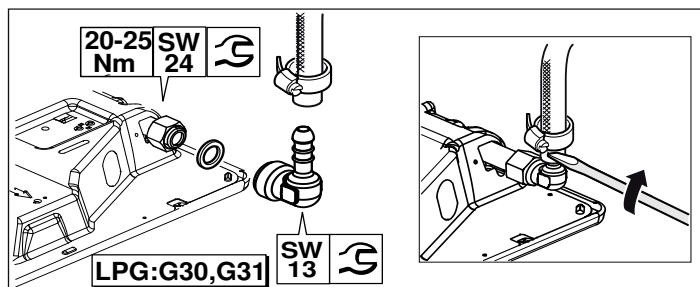
Remove the connecting piece (**held using a size 13 key**) from the appliance's gas screw connection (using a size 24 key). Figure 2.



If liquid gas (LPG) is used, the gas connection should be established via a gas hose or a fixed connection.

- Insert the new seal into the connecting piece. Ensure that the seal is seated properly.
- Plug the connecting piece (**held using a size 13 key**) into the appliance's gas screw connection (using a size 24 key).
- Fit the safety gas hose and use a screw connection or a cable clamp to tighten it securely.
- For more information about the leak test, see the section "Leak test". Open the gas connection locking device.

**Note:** Use a torque wrench when converting the gas type.





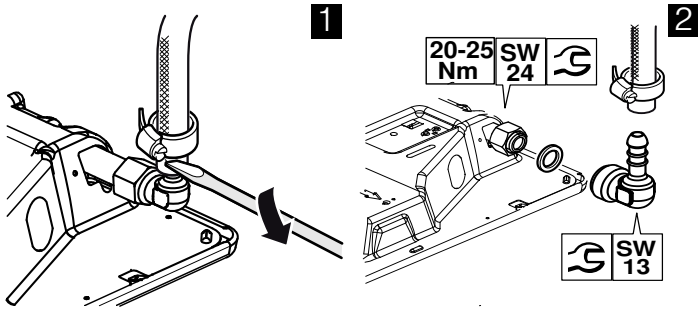
## Converting the appliance from liquid gas to natural gas

If the appliance is converted from liquid gas (LPG: G30, G31) to natural gas (NG: G20, G25):

If natural gas (NG) is used, the gas connection should be established via a gas pipe or via a flexible safety gas hose with threaded connections at both ends.

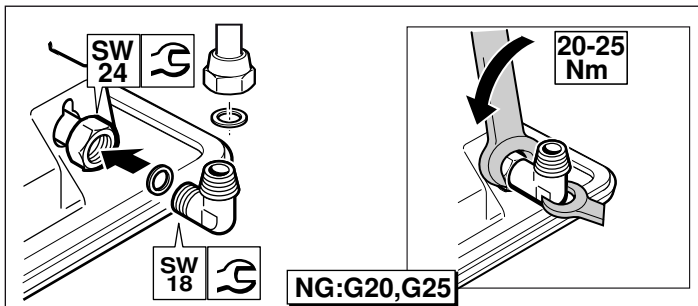
- Replace the gas connection pipe in the appliance with a natural gas adaptor. First, loosen the screw connection from the flexible safety gas hose (if available) or loosen the cable clamp, and disconnect this from the appliance. Figure 1.

Remove the connecting piece (held using a size 13 key) from the appliance's gas screw connection (using a size 24 key). Figure 2.



- Insert the new seal into the connecting piece. Ensure that the seal is seated properly.
- Plug the connecting piece (held using a size 13 key) into the appliance's gas screw connection (using a size 24 key).
- Place the gas pipe or the flexible safety gas hose with thread (using a size 24 key) and with a new seal on the connecting piece and tighten it securely.
- For more information about the leak test, see the section "Leak test". Open the gas connection locking device.

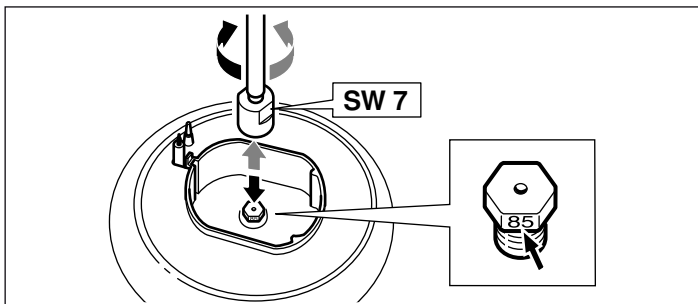
**Note:** Use a torque wrench when converting the gas type.



## Replacing the burner nozzles

After having replaced the gas connecting piece on the appliance to be converted to another gas type, all burner nozzles must be replaced. The following steps must be observed:

1. Turn off all switches on the control panel.
2. Shut off the gas supply.
3. Remove the pan support and burner parts.
4. Remove the burner nozzles (Allen key 7).



5. To identify the burner nozzles, see the table in the section entitled "Technical properties - gas".

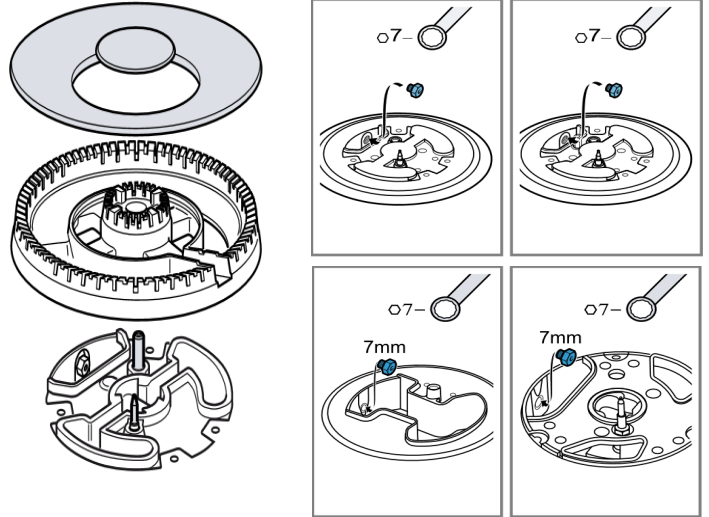
Insert the new nozzles in the corresponding burners.

Once the nozzles have been replaced, perform a leak test. See the section entitled "Leak test".

\* **Option:** Only valid for some models.

**Note:** For hobs with a wok

;



## Adjusting or replacing the bypass nozzles

The bypass nozzles regulate the minimum flame height of the burners.

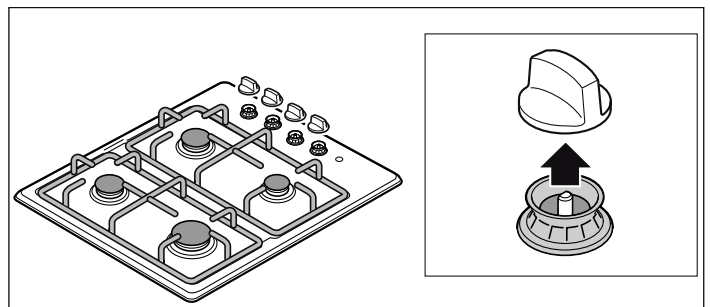
### Preparation

Shut off the gas supply.

**⚠ Risk of electric shock!**

Disconnect the appliance from the power supply.

1. Turn off the switches on the control panel.
2. Pull of all handles carefully upwards.

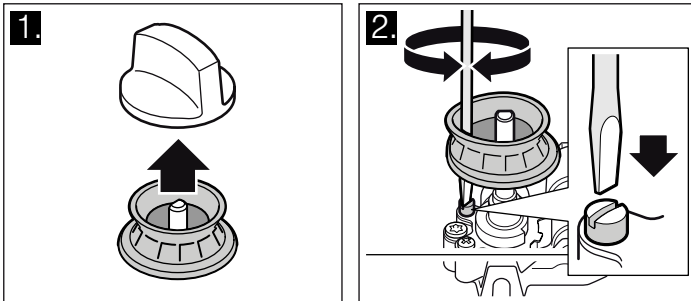


**Adjust the bypass nozzles for the conversion from natural gas to liquid gas, or replace these:**

**For versions with direct access to bypass nozzles (optional):**

Tighten the bypass nozzles as far as they go via the drain openings in the hob.

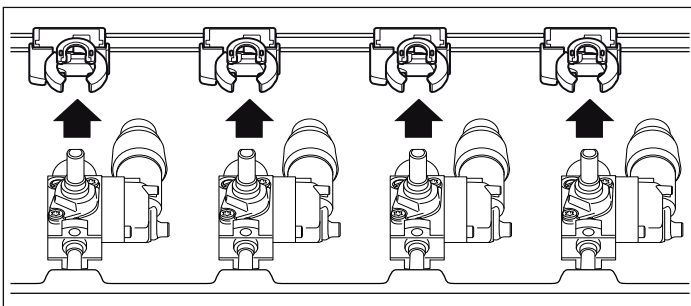
The burner's bypass nozzles are adjusted via the drain openings that can be seen when the control knob is removed from the control panel. Put a flat-blade screwdriver (no. 2) through the drain holes (ensure that you do not damage the cables) and tighten the bypass nozzles as far as they will go.



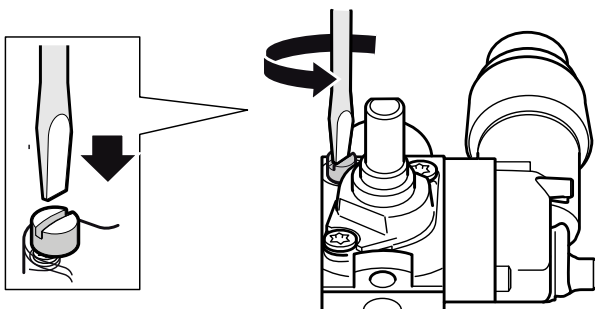
**For designs that do not have direct access to bypass nozzles (optional):**

To reach the bypass nozzles, you must remove the hob. See section "Removing the hob".

After the hob has been removed, remove the ignition group from the taps.



The bypass nozzles must then be tightened as far as they will go.



Reinsert the ignition group and install the hob as described in the section "Installing the hob".

**Adjust the bypass nozzles for the conversion from liquid gas to natural gas, or replace these:**

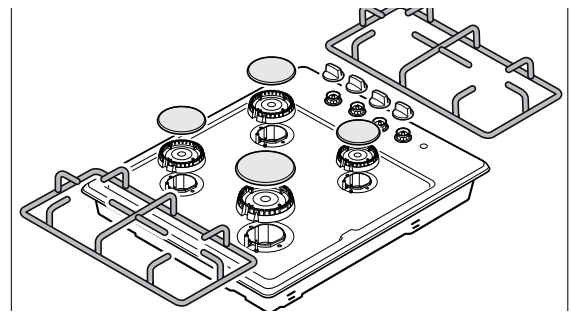
All of the burner nozzles in the appliance must be replaced. See section "Removing the hob".

After the hob has been removed, remove the ignition group from the taps. You must then carry out the steps in the section "Replacing the bypass nozzles".

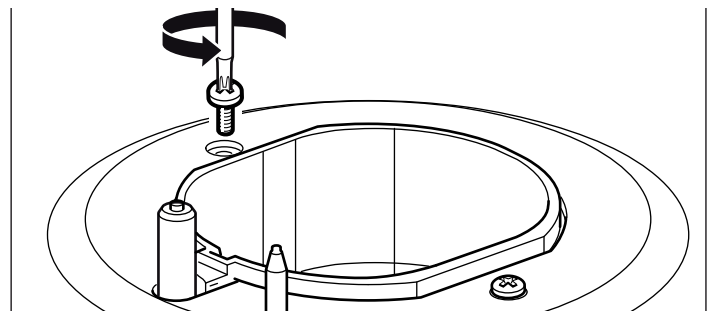
Then reinsert the ignition group and carry out the steps in the section "Installing the hob".

## Removing the hob plate

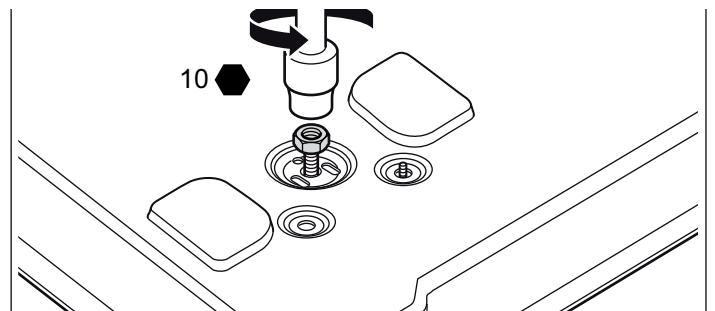
1. Remove the pan support, the handles and burner parts.



2. Loosen the hob plate burner connection screws.



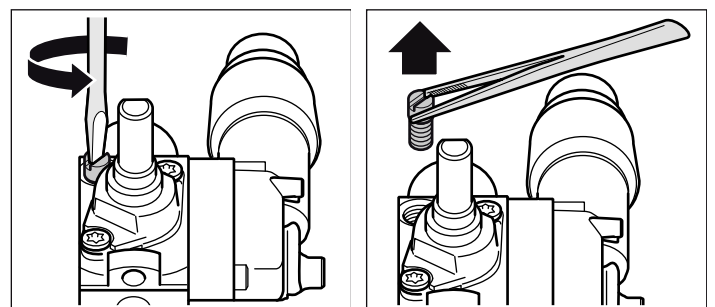
3. For models with electric hotplate (optional): After loosening the burner screws, turn the hob over and remove the connection nut for the electric hotplate.



4. Grip the hob plate at the sides with both hands and lift it carefully.

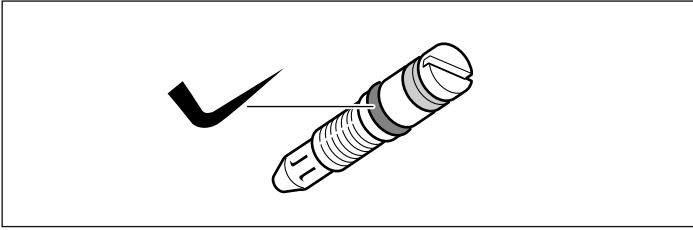
## Replacing the bypass nozzles

1. Use a flat-blade screwdriver (no. 2) to unscrew the bypass nozzles. Remove the bypass nozzles.



2. Select the appropriate new bypass nozzles from the table in accordance with the gas type to which you are converting. See the section "Technical data – Gas".

3. Check that the seals on the bypass nozzles are seated correctly and work properly. Only use bypass nozzles with absolutely faultless seals.



4. Insert the new bypass nozzles and tighten them securely. Ensure that all bypass nozzles have been fastened to the correct taps.
5. During this phase, you must carry out a leak test. See the section "Leak test".

## Installing the hob

Install in reverse order.

1. Ensure that the cables are not damaged and the connections do not come loose.  
Slowly insert the ignition group.

2. Slowly place the hob onto the burners. Attach the burner screws from the hob.

### Caution!

In doing so, ensure that ignition plug and thermal element seals do not fall under the hob.

3. For versions with an electric hotplate (optional): After you have screwed in the burner screws, turn the hob around and attach the terminal nuts for the electric hotplate.

### After the bypass nozzles have been adjusted and replaced

1. Insert the lower parts of the burner in the relevant position and insert the ignition plugs into the corresponding openings beside the lower parts of the burner. Place the enamelled burner lids (note the sizes) onto the centre of the appropriate lower parts of the burner.
2. Refit the pan support grids or wire racks.
3. Fit the control knobs carefully.
4. At this stage, you must check the burning behaviour of the gas burners. See the section "Safe burning behaviour".
5. Check whether the appliance is functioning correctly.

---

## Leak test and function test

### Risk of explosion!

Avoid sparking. Do not use an open flame.  
Perform the leak test only with a suitable leakage spray.

#### In the event of a gas leak

Shut off the gas supply.  
Ensure that the room affected is well ventilated.  
Check the gas and valve connections again. Repeat the leak test.  
The leak test must be performed by two people, in accordance with the following instructions.

### Check the gas connection

1. Open the gas supply.
2. Spray the gas connection with a leakage spray.  
If small bubbles or foam form, indicating a gas leak, follow the instructions in the section entitled "In the event of a gas leak".

### Checking the burner nozzles

1. Open the gas supply.  
Carry out the leak test separately for each nozzle.
2. Carefully close the hole in the burner nozzle to be checked using your finger or a suitable device.
3. Spray the nozzle with a leakage spray.
4. Press the function selector and turn it anti-clockwise. This supplies the nozzle with gas.

If small bubbles or foam form, indicating a gas leak, follow the instructions in the section entitled "In the event of a gas leak".

### Checking the bypass valves

1. Open the gas supply.  
Carry out the leak test separately for each bypass screw.
2. Carefully close the hole in the burner nozzle to be checked using your finger or a suitable device.
3. Spray the nozzle in the burner to be checked with a leakage spray.
4. Push the control knob and turn it anti-clockwise. This supplies the nozzle with gas.

If small bubbles or foam form, indicating a gas leak, follow the instructions in the section entitled "In the event of a gas leak".

---

## Correct flame formation

### Burner

The burning behaviour and soot formation must be checked for each burner after the gas type has been changed.  
If there is a problem, the nozzle values must be compared with the values in the table.

1. Ignite the gas burner in accordance with the instructions in the operating instructions.

2. Turn the control knob to the small flame setting.  
Check whether the flame safety system is operating by holding the flame at the "Small flame" setting for one minute.
3. Check the correct burner behaviour for large and small flames.  
The flame should burn evenly and constantly.
4. Turn the control knob quickly from the large flame to the small flame and back again. Repeat this process several times. The gas flame must not flicker or go out.

## Technical data – Gas

The different types of gas and the corresponding values are listed here.

### Nozzle values for economy burners

	<b>G20</b>	<b>G25</b>	<b>G30</b>
Gas pressure (mbar)	20	25	29
Nozzle (mm)	0.72	0.72	0.50
Bypass nozzle (mm)	0.3	0.3	0.3
Input power, max. (kW)	1	1	1
Input power, min (kW)	≤ 0.33	≤ 0.33	≤ 0.33
Gas flow at 15 °C and 1013 mbar m <sup>3</sup> /h	0.095	0.111	-
Gas flow at 15 °C and 1013 mbar g/h	-	-	73

### Nozzle values for normal burners

	<b>G20</b>	<b>G25</b>	<b>G30</b>
Gas pressure (mbar)	20	25	29
Nozzle (mm)	1.00	0.98	0.67
Bypass nozzle (mm)	0.32	0.32	0.32
Input power, max. (kW)	1.75	1.75	1.75
Input power, min (kW)	≤ 0.35	≤ 0.35	≤ 0.9
Gas flow at 15 °C and 1013 mbar m <sup>3</sup> /h	0.167	0.194	-
Gas flow at 15 °C and 1013 mbar g/h	-	-	127

### Nozzle values for larger burners (optional)

	<b>G20</b>	<b>G25</b>	<b>G30</b>
Gas pressure (mbar)	20	25	29
Nozzle (mm)	1.15	1.28	0.85
Bypass nozzle (mm)	0.39	0.39	0.39
Input power, max. (kW)	3	3	3
Input power, min (kW)	≤ 0.50	≤ 0.50	≤ 1.3
Gas flow at 15 °C and 1013 mbar m <sup>3</sup> /h	0.286	0.333	-
Gas flow at 15 °C and 1013 mbar g/h	-	-	218

### Nozzle values for mini woks (optional)

	<b>G20</b>	<b>G25</b>	<b>G30</b>
Gas pressure (mbar)	20	-	29
Nozzle (mm)	1.03	-	0.68
Bypass nozzle (mm)	0.61	-	0.61
Input power, max. (kW)	3.5	-	3.3
Input power, min (kW)	≤ 1.55	-	≤ 1.55
Gas flow at 15 °C and 1013 mbar m <sup>3</sup> /h	0.314	-	-
Gas flow at 15 °C and 1013 mbar g/h	-	-	240

Қауіпсіздік туралы мағлұматтар.....	13
Орнатудан алдын .....	13
Жиһаз дайындау .....	14
Құрылғыны орнату.....	14
Құрылғыны орнату .....	15
Пісіру аймағын шешу.....	15
Газ және электр қосылымдарды орнату .....	15
Құрылғыны орнату .....	15
Газ біріктірудегі ақаулар / газ иісі .....	15
Электр қосылым .....	16
Қосу түрлері.....	16
Табиғи газды қосу (NG) .....	16
Сұйық газ қоспасы (LPG) .....	17
Басқа газ түріне қайта реттеу.....	17
Орындалатын шаралар.....	17
Басқа газ түріне өзгерту .....	18

Газ аыстыру үшін бөлшектер.....	18
Табиғи газдан сұйық (LPG) газға өту .....	18
Сұйық газдан табиғи газға өту .....	19
Жанарғы форсункаларын алмастыру .....	19
Байпас форсункаларын орнату немесе алмастыру .....	19
Пісіру аймағының плитасын шешу .....	20
Байпас форсункаларын алмастыру .....	20
Пісіру панелін орнату .....	20
<b>Ауа кірмейтіндікті және қызмет етуді тексеру .....</b>	<b>21</b>
Газ қосылуын тексеріңіз.....	21
Жанарғылардың соплаларын тексеру .....	21
Реттеу винттерін тексеру.....	21
<b>Жалынның дұрыс құрылуын тексеру .....</b>	<b>21</b>
Жанарғы.....	21
<b>Техникалық деректер - газ .....</b>	<b>22</b>

## Қауіпсіздік туралы мағлұматтар

Құрылғыны орнатып пайдаланудан алдын пайдалану нұсқаулығын оқыңыз.

Осы нұсқаулықтағы суреттер тек көрсету үшін берілген.

**Осы нұсқаулық шарттары сақталмаса өндіруші жауапкерлікті мойындамайды.**

**Барлық орнату, реттеу және басқа газ түріне өзгерту жұмыстарын өкілетті маман мен ережелерге және заңдарға және жергілікті тоқ және газ таратушының ережелеріне сай ретте орындалуы керек.**

**Басқа газ түріне өзгерту үшін сервистік қызметке хабарласуды ұсынамыз.**

**Барлық жұмыстарды орындаудан алдын тоқ және газ ағымын тоқтатыңыз.**

Бұл құрылғы тек үйде пайдалану үшін жасалған, коммерциялық немесе өндірістік пайдалануға рұқсат жоқ. Бұл құрылғыны яхта немесе фургонда пайдалану мүмкін емес. Кепілдік тек құрылғы өз мақсатында пайдаланылған жағдайда әсер етеді.

Қосудан соң жергілікті шарттар (газ түрі мен басымы) бір бірімен тіркесушілігін тексеріңіз. Құрылғыны орнату шарттарын зауыттық тақтайша немесе жапсырмада табу мүмкін.

Бұл нұсқаулар сәйкес елдің аббревиатурасы құрылғыда болса ғана қолданылады. Егер құрылғыда аббревиатура болмаса, құрылғыны елдің талаптарына сай қайта реттеу үшін қажет ақпаратты қамтитын орнату нұсқаулығын қарау керек.

Бұл құрылғыны тек жетерлік желдетілетін жерде және тек ауа алмасу үшін жүретін нұсқаулар мен ережелерге сәй ретте орнату мүмкін. Құрылғыны түтін шығатын мұржасына немесе газ шығу жүйесіне біріктірілуі мүмкін емес.

Желі кабелі орнатылатын жиһазда дұрыс бекітіліп пег немесе пісіру аймағының ыстық бөліктерін тимеуі қажет.

Электр құралдарды әрдайым жерге қосу қажет.

Құрылғы ішін ешқашан өзгертпеңіз. Керек болса біздің сервистік қызметімізге хабарласыңыз.

## Орнатудан алдын

Осы құрылғы DIN EN 30-1-1 бойынша газ құрылғылары: ішіне салынатын құрылғылар 3-сыныпына сай.

Құрылғы қасындағы жиһаздар жанбайтын материалдан жасалған болуы қажет. Жиһаз қабаттық заттектері мен желімі ыстыққа шыдамды болуы керек.

Құрылғыны суытқыштарға, кір жуғыш машинаға, ыдыс жуу машинасына немесе ұқсас құрылғыларға орнатылуы мүмкін емес.

Егер пісіру аймағын пеш үстінде орнатсаңыз онда ауа алмасуы болуы керек. Орнату нұсқаулығында пеш өлшемдерін қараңыз.

Ауа сору құралығысы орнатылса, оны орнату нұсқаулығы бойынша және пісіру аймағынан 650 мм минималды вертикалды аралық болу керектігіне назар аударыңыз.

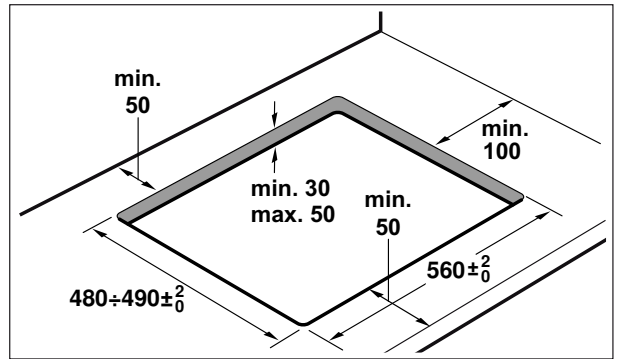
## Жиһаз дайындау

Жұмыс аймағында керекті көлемдік ойықты дайындаңыз.

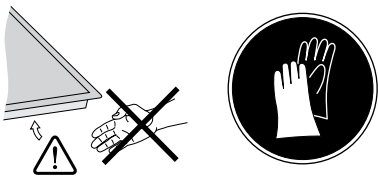
Құрылғыны берілген өлшемдерге сай ретте орнатылуы және пайдаланылуы қажет. Құрылғыны басқа зат үстінде орнату мүмкін емес.

Егер пісіру аймағы электр немесе қоспа (газ және электр) болып астында пеш болмаса жанбайтын материалдан (мысалы метал немесе шере) жасалған аралық тұпті пісіру аймағының 10 мм астында қойыңыз. Осылай пісірі аймағының төменгі жағына жетілмейді. Егер газдық пісіру аймағы болса аралық тұбін пісіру аймағынан бірдей қашықтықта қойыңыз.

Ағаштық жұмыс аймақтарында кесу аймақтарын арнайы желім сүртіп ылғалдықтан қорғаңыз.

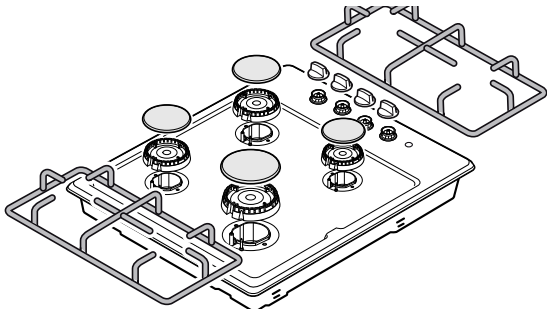


## Құрылғыны орнату



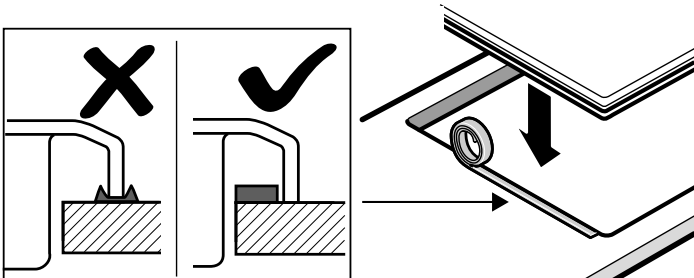
**Нұсқау:** Пісіру панелін кірістіру үшін қорғау қолғабын пайдаланыңыз.

Торларды, тұтқаларды, анарғы қақпақтарын және жанарғы бастарын алып қойыңыз.



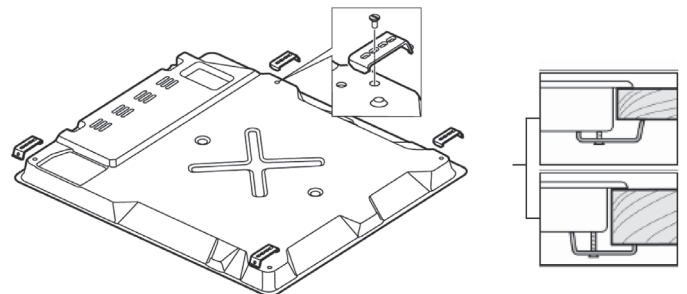
Құрылғыны абайлап бұрап жұмсақ шүберекке қойыңыз. От алу бөліктері зақымдалмауына көз жеткізіңіз.

Желім қабаты ағып кетуден қорғайды. Оны жұмыс аймағында тұрған орнаут тесігінің айналасынан жағыңыз. Оны кесілген аймақтың айналасында жағу керек.



Құрылғыны жиһаз ішінде бекіту үшін:

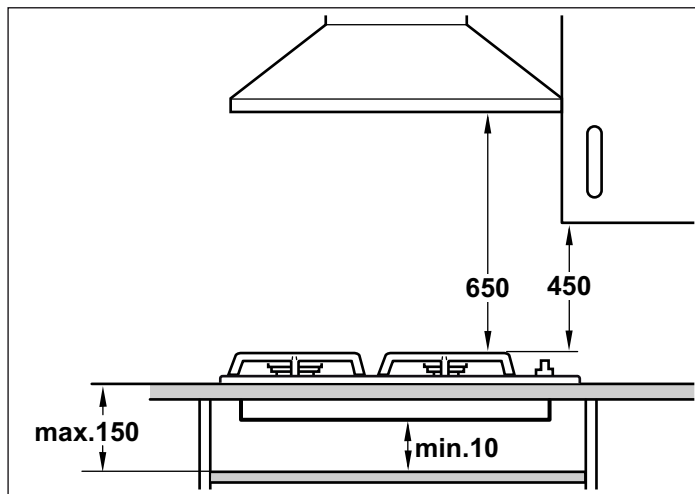
1. Қапсырмаларды керек-жарақтар қабынан алып көрсетілген күйде бос айналатын ретте бұрап бекітіңіз.
2. Пісіру аймағын ортаға салыңыз. Қырларын төмен қарай қырлары толық жатқанша басыңыз.
3. Қапсырмаларды бұрап бекем тартыңыз. Қапсырмалар күйі жұмыс бетінің қалыңдығына байланысты.



Құрылғыны силиконмен жұмыс тақтасына жабыстыру мүмкін емес.

## Құрылғыны орнату

- Плитаның жоғарғы қырымен ауа алмасу құбырының төменгі қыры аралығы ауа алмасу құбыры өндірушісінің нұсқауларына сай болуы керек.
- Құрылғы орнатудан соң жылжытылмауына көз жеткізіңіз. Әсіресе қатты жанатын жанарғымен жиһаз немесе қабырға аралығы кемінде 50 мм болуы керек.
- Құрылғының астыңғы жағы істеу кезінде қызады. Сол үшін осы қорғағыш плитаны құрылғының төменгі жағына орнатуды ұсынамыз.



## Пісіру аймағын шешу

Құрылғыны тоқ пен газдан ажыратыңыз.

Қапсырмаларды бұрап шығарып орнату басқыштарын кері ретте орындаңыз.

## Газ және электр қосылымдарды орнату

### Құрылғыны орнату

Орнату тек рұқсаты бар маман немесе өкілетті сервистік қызмет технігі арқылы "Орнату нұсқаулығында" жазылған нұсқаулықтар бойынша орындалуы қажет.

#### Куәліктендірілген маман немесе сервистік қызмет үшін

##### Назар аударыңыз!

Бұл құрылғы үшін реттеу көлемдері құрылғы артындағы зауыттық тақтайшасында берілген. Зауытта реттелген газ түрі жұлдызшамен белгіленген (\*).

Егер NG белгісі қасында жұлдызша белгісі болса құрылғы табиғи газға, ал LPG болса сұйық газға реттелген болады.

##### Назар аударыңыз!

Құрылғы қосудан алдын жергілікті қосу шарттары (газ түрі мен газ басымы) құрылғы реттелуіне сай болуын тексеріңіз. Егер құрылғы реттелуі керек болса оны "Орнату нұсқаулығы" көмегімен орындау қажет.

##### Назар аударыңыз!

Бұл құрылғы түтін шығару арнасына қосылмаған. Оны орнату және пайдалануға өндіру шарттарына сай қосу керек. Құрылғыны түтін шығаратын тесікке қоспаңыз. Бүкіл желдету талаптарын сақтау керек.

##### Назар аударыңыз!

Газды қосуды бекітілген, яғни, қозғалмайтын қосылым (газ құбыры) немесе қорғағыш шланг арқылы орындау керек.

##### Назар аударыңыз!

Қорғағыш шланг пайдаланылса, міндетті түрде оның қысылып қалмауын немесе қысылмауын қадағалаңыз. Шланг құрылғының ыстық беттеріне тимеуі керек.

##### Назар аударыңыз!

Газ қоспасында жай жететін құлыптау аспабы болуы қажет.

### Қауіпсіздік туралы мағлұматтар

Құрылғының атаулы пайдалану басымы;

табиғи газ үшін (G20) 20 мБар, табиғи газ үшін (G25) 25 мБар, LPG үшін (G30) 30 мБар, LPG үшін (G31) 37 мБар. Құрылғыны осы басым көлемдерінде пайдалану қажет. Құрылғыңыздың зауыттық тақтайшасындағы барлық деректер осы басым көлемдеріне негізделген. Өндіруші құрылғыны басқа көлемдерде пайдаланудың нәтижелері, қуаты немесе қауіптері үшін жауапкер болмайды.

#### ⚠ Егер газ желіңізде газ басымы!

табиғи газ үшін (G20) 25 мБардан көп болса, табиғи газ үшін (G25) 30 мБардан көп болса, LPG үшін (G30) 36 мБардан көп болса, LPG (G31) үшін 45 мБардан көп болса құрылғыңызды қауіпсіздік негізінен сәйкес газ реттеушісімен пайдалану керек. Газ реттеушісінің қосылуы, күтімі және реттелуі авторизацияланған орнатушы арқылы орындалуы қажет. Егер газ желісіндегі газ басымын білмесеңіз жергілікті газ компаниясымен хабарласыңыз.

### Газ біріктірудегі ақаулар / газ иісі

Газ иісі шықса немесе газ біріктіруінде ақау болса төмендегіні орындаңыз:

#### ⚠ ГАЗДЫҢ ИІСІН СЕЗСЕҢІЗ!

Шығатын газ жарылысқа әкелуі мүмкін.

Егер газдың иісін сезсеңіз немесе газ орнатымында ақаулық бар болса:

- Бірден газды беруді тоқтатыңыз немесе газ баллонындағы клапанды жабыңыз.
- Бірден ашық жалынды өшіріңіз және темекіні өшіріңіз.
- Жарық қосқыштарына және тұрмыстық құрылғыларға тимеңіз, ашаны розеткадан суырмаңыз. Үйде телефонды немесе мобильді телефонды пайдаланбаңыз.
- Терезелерді ашыңыз және бөлмені жақсылап желдетіңіз.
- Сервистік қызметке немесе газбен жабдықтау компаниясына қоңырау шалыңыз.

## Электр қосылым

### Назар аударыңыз!

- Құрылғыны сервистік қызмет орната алмайды. Қосу үшін 16 А сақтандырғыш қажет. Құрылғы 220-240 В кернеумен жұмыс істеуге арналған.
- Желідегі кернеу 180 В мәнінен төменірек түссе, электр жандыру жүйесі қызмет етпейді.
- Құрылғы дұрыс емес қосылған болса, онда нұқсан кепілдіктің күшін жояды.
- Қуат сымы зақымдалса, оны өндірушінің сервистік қызметі немесе білікті маман ауыстыруы керек.

### Сервистік қызмет үшін

#### Назар аударыңыз!

Электр қосу тек арнайы жіберілген сервистік қызмет арқылы ғана орындалуы керек. Тоқ өндірушінің нұсқауларын орындаңыз.

#### Назар аударыңыз!

Құрылғыны зауыттық тақтайшада берілген мәліметтерге сай ретте қосу керек.

#### Назар аударыңыз!

Желі қуаты жапсырма немесе зауыттық тақтайшада жазылған қуатпен сәйкес болуы қажет.

#### Назар аударыңыз!

Құрылғыны қолданыстағы нормаларға сай электр қосылымға қосыңыз. Қажет болса құрылғыны қуат желісінен өшіру үшін розетка жақсылап жерге қосылған болуы керек.

### Назар аударыңыз!

Көп полюсті бөлу жүйесінің болуын қамтамасыз ету үшін.

### Назар аударыңыз!

Ешқашан ұзартқыштарды және ұшайырларды пайдаланбаңыз.

### Назар аударыңыз!

Қауіпсіздік техникасы себебі бойынша құрылғыны тек жерге қосылған розеткаға қосу керек. Егер қоғралғыш жерге қосу нұсқауларға сай болмаса, ток соғу қаупінен қорғауға кепілдік берілмейді.

### Назар аударыңыз!

Құрылғыны қосу үшін кабельдің H 05 W-F түрін немесе басқа кабельді пайдалану керек.

### Желелік кабельдік айырсыз үлгілер үшін (таңдаулы):

#### Назар аударыңыз!

Үш полюстік кабельмен жабдықталған құрылғылар жерге қосылуы керек.

Сымдарды желі кабелімен төмендегі реңдік код бойынша қосыңыз:

Жасыл / сары	Жер ⊕
Көк	Бейтарап
Қоңыр	Фаза

Желілік кабельді алмастыру керек болса: кабельді құрылғымен схема бойынша біріктіріңіз.

## Қосу түрлері

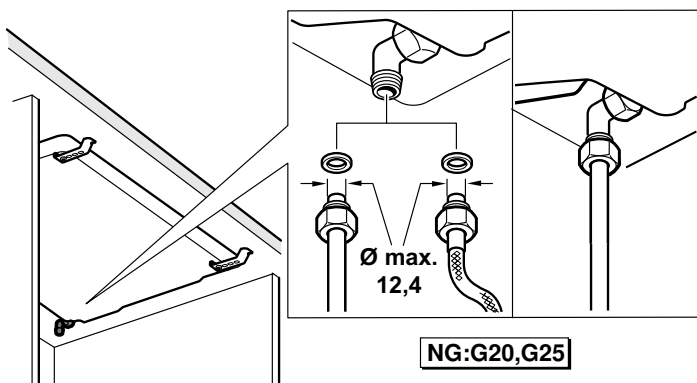
Осы нұсқаулар құрылғыны зауыттық тақтайшада жазылған елдерде орнату үшін жүреді.

**Нұсқау:** Егер құрылғы зауыттық тақтайшада жазылмаған елде орнатылып, қосылып пайдаланылса елде жүретін қосу шарттары бойынша деректер мен мәліметтерді қамтитын орнату нұсқаулығы пайдаланылуы керек.

Газ қосындысын жабу шүмегі жетілетін етіп орналастыру керек.

### Табиғи газды қосу (NG)

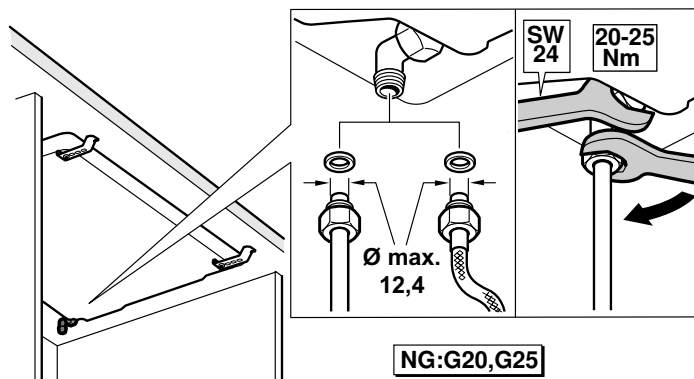
Егер табиғи газ (NG) қолданатын болса, онда газ қосылымын екі жағында газ құбыры арқылы немесе қауіпсіздік газ шлангы арқылы жасау мүмкін.



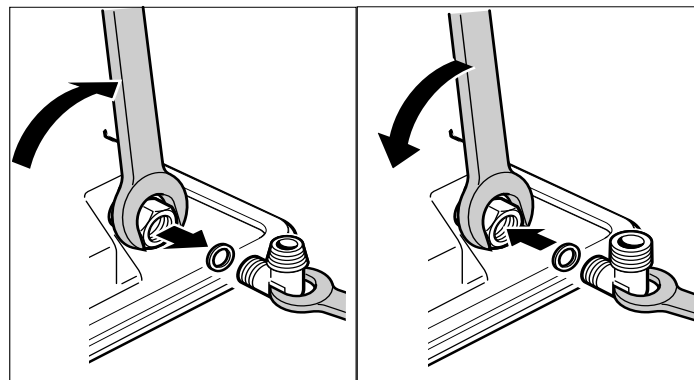
Газ құбырын немесе қауіпсіздік газ шлангын бұрандамен (24-ші кілтпен) және жаңа тығыздауышпен қосу келте құбырына салып қатты тартып қойыңыз.

Біріктірме жасалғаннан соң бітеулігін тексеру керек. “Бітеулігін тексеру” тарауын қараңыз.

**Нұсқау:** Құрылғыны қосу үшін бұрау моменті кілтін пайдаланыңыз.



**Нұсқау:** Егер цилиндрлік біріктіру керек болса, онда зауытта орнатылған қапсырманы керек-жарақтар жинағындағы қапсырмамен алмастырыңыз.





## Рұқсат етілген табиғи газ қосу түрлері елдер бойынша:

Ел	EN 10226 R <sup>1/2</sup> (TS 61-210 EN 10226 R <sup>1/2</sup> )	EN ISO 228 G <sup>1/2</sup> (TS EN ISO 228 G <sup>1/2</sup> )
AT	Австрия	X
BE	Бельгия	X
CH	Швейцария	X
KK	Германия	X
ES	Испания	X X
FR	Франция	X
GR	Греция	X
IT	Италия	X X
NL	Нидерландтар	X
PT	Португалия	X X
HR	Хорватия	X
SL	Словения	X
XS	Сербия	X
KK	Туркия	X X
PL	Польша	X X
RO	Румыния	X X
AE	Құрама араб эмираттары	X
ZA	Оңтүстік Африка	X
HU	Венгрия	X
RU	Ресей	X
GB	Англия	X

## Сұйық газ қоспасы (LPG)

### Назар аударыңыз!

Мемлекеттік заңдарды ескеріңіз.

Егер сұйық газ (LPG) пайдаланса, онда газды газ шлангы немесе тұрақты біріктіру арқылы қосу керек.

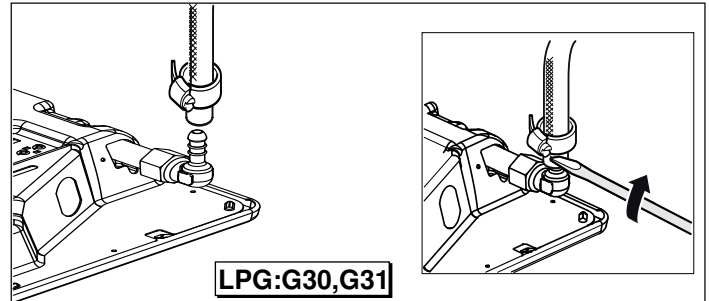
Газ шлангын пайдалануда маңызды:

- Қауіпсіздік газ шлангын немесе пластик газ шлангын (диаметрі 8 мм) орнату керек.

- Оны рұқсат етілген қосу құрылғысымен (мысалы шланг қамыты) газ қосқышында бекіту керек.
- Шланг қысқа және толық бітеулі болуы керек. Шланг ұзындығы макс. 1,5 м болуы тиіс. Ағымдық мемлекеттік заңдарды ескеріңіз.
- Газ шлангын жыл сайын жаңарту керек.

Қауіпсіздік газ шлангын салып бұрандалы біріктіріме немесе қамытпен қатты тартып қойыңыз.

Біріктіріме жасалғаннан соң бітеулігін тексеру керек. “Бітеулігін тексеру” тарауын қараңыз.



## Басқа газ түріне қайта реттеу

### Орындалатын шаралар

**Құрылғыны басқа газ түріне реттеу рұқсат алған маман арқылы осы кітаптағы нұсқаулықтар бойынша орындалуы қажет.**

**Қате қосу немесе қате реттеу құрылғының бұзылуына алып келуі мүмкін. Осы түрдегі зиян немесе ақаулар үшін құрылғы өндірушісі жауапкерлікке тартылмайды.**

Зауыттық тақтайшадағы белгілерді нақты орындаңыз. Егер еліңіз үшін белгі жоқ болса онда еліңіздің техникалық ережелерін орындаңыз.

Құрылғыны орнатудан алдын жергілікті газ жеткізу желісінен газ түрі және газ басымын біліп алыңыз. Құрылғыны іске қосудан алдын барлық орнатулар дұрыс орындалғанына көз жеткізіңіз.

Жергілікті және халықаралық ережелер мен бұйрықтарды орындаңыз.

Қосу мәліметтері құрылғы артқы төмен жағындағы зауыттық тақтайшада болады.

Деректерді төмендегі кестеге енгізіңіз:

Өнім нөмірі (E нөмірі),

Өндіру күні нөмірі (FD),

Төмендегі кестеге зауыттық газ түрі/газ басымы және газды өзгерткеннен соң жүретін газ түрі/газ басымы орнатылымдарын енгізіңіз.

E-нөмірі	FD
Сервистік қызмет көрсету ☎	
Газ түрі/газ басымы	
Зауыттық тақтайшадағы деректер	
Газ түрі/газ басымы	
Газды өзгерткеннен соңғы деректер	

Құрылғыда орындалған өзгертулер мен қосу түрі тиісті және қауіпсіз пайдалану салдарынан маңызды болады.

## Басқа газ түріне өзгерту

- Газды қосу құралын алмастыру қажет.
- Жанарғы форсункаларын алмастыру қажет.
- Зауыттық газ реттелуіне байланысты жанарғы шүмектерінің байпас форсункаларын алмастыру немесе тірелгенше бұрау керек.

Форсункаларда диаметрді білдіретін сандар бар. Қырылы үшін сәйкес газ түрлері мен тиісті газ форсункалары туралы қосымша апаратты "Техникалық мліметтер - газ" тарауында қараңыз.

### Өзгертуден соң

- Басқа газ түріне өзгерткеннен соң бітеулігін тексеру керек. Ол үшін "Бітеулігін тексеру" тарауын қараңыз.
- Басқа газ түріне өзгертуден соң жану әдісін тексеру керек. Ол үшін "Дұрыс жану әдісі" тарауын қараңыз.
- Жаңа орнатылған газ түрімен газ басымын кестеге енгізіңіз. Ол үшін "Орындалатын шаралар" тарауын қараңыз.

### Назар аударыңыз!

Басқа газ түріне өткеннен соң газ түрі мәліметтері жазылған жұлдызшалы жапсырма зауыттық тақтайшасындағы өз жайына орнатылуы қажет. **МІНДЕТТІ РЕТТЕ ОРЫНДАУ** тарауын қараңыз.

## Газ аыстыру үшін бөлшектер

Төменде газ түрін алмастыруға керекті бөлшектер суреттерін көресіз.

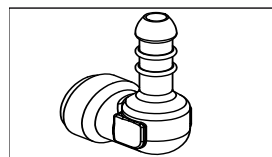
Дұрыс форсунка диаметрін анықтау үшін "Техникалық деректер - газ" кестесін қараңыз.

Әрдайым жаңа тығыздауышты пайдаланыңыз.

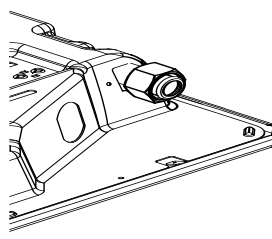
Газ қосу келте құбыры газ түріне және жергілікті заңдарға байланысты өзгеруі мүмкін.

(\*) Осы бөлшектерсіз ешқашан газ қоспасын жасау мүмкін емес.

	<b>Байпас- форсунка</b>
	<b>Жанарғы- форсункасы</b>
	<b>(*) Тығыздауыш</b>
	<b>(*) Табиғи газ үшін қосу келте құбырлары (NG: G20, G25)</b> (TS 61-210 EN 10226 R)½ EN 10226 R½
	<b>(*) Табиғи газ үшін қосу келте құбырлары (NG: G20, G25)</b> (TS EN ISO 228 G)½ EN ISO 228 G½



**(\*) Сұйық газ үшін қосу келте құбырлары (LPG: G30, G31)**



**Бұрандалы- қоспа**

## Табиғи газдан сұйық (LPG) газға өту

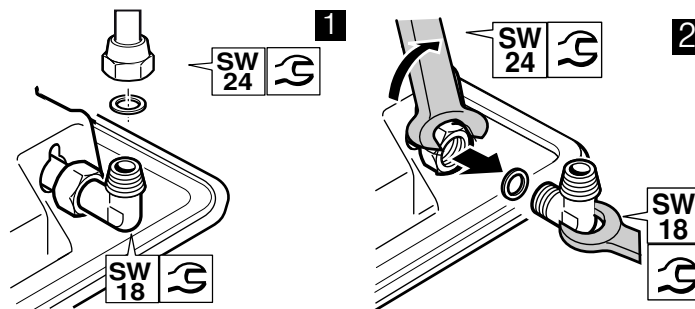
Егер құрылғы табиғи газдан (NG: G20, G25) сұйық газға (LPG: G30, G31) ауысса:

Табиғи газ алаптерін құрылғыда сұйық газ қосу құбырына алмастырыңыз.

- Алдымен қауіпсіздік газ шлангы немесе газ құбырын босатып құрылғыдан босатыңыз.

Ол үшін газ құбырын немесе қауіпсіздік газ шлангының бұрандалы біріктірмесін (24-ші кілт) газдық қосу келте құбырынан (**18-ші кілтпен ұстаңыз**) ажыратыңыз. 1-сурет.

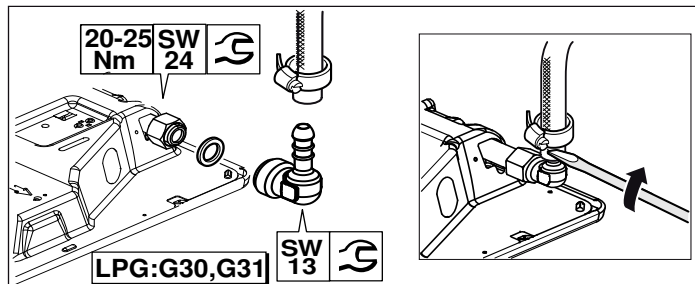
Қосу келте құбырын (**13-ші кілтпен ұстап**) құрылғының газ бұрандалы қоспасынан (24-ші келтпен ұстап) шешіңіз. 2-сурет.



Егер сұйық газ (LPG) пайдаланса, онда газды газ шлангы немесе қатты қоспа аарқылы қосу керек.

- Қосқыш келте құбырға жаңа тығыздауышты орнату. Тығыздауыштың дұрыс орнатылғанына көз жеткізіңіз.
- Қосу келте құбырын (**13-ші кілтпен ұстап**) құрылғының газ бұрандалы қоспасына (24-ші келтпен ұстап) салыңыз.
- Қауіпсіздік газ шлангын салып бұрандалы біріктірме немесе қамытпен қатты тартып қойыңыз.
- Бітеулігін тексеру үшін "Бітеулігін тексеру" тарауын қараңыз. Газ қосқышы үшін жабу аспабын ашыңыз.

**Нұсқау:** Газ түрін ауыстыру үшін бұрау моменті кілтін пайдаланыңыз.



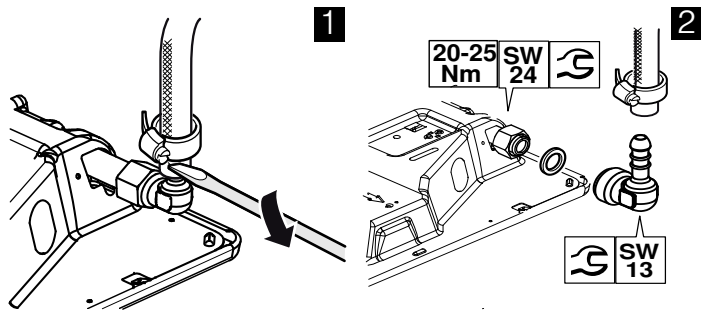
## Сұйық газдан табиғи газға өту

Егер құрылғы сұйық газдан (LPG: G30, G31) табиғи газға (NG: G20, G25) ауысса:

Егер табиғи газ (NG) қолданатын болса, онда газ қосылымын екі жағында газ құбыры арқылы немесе қауіпсіздік газ шланғы арқылы жасау мүмкін.

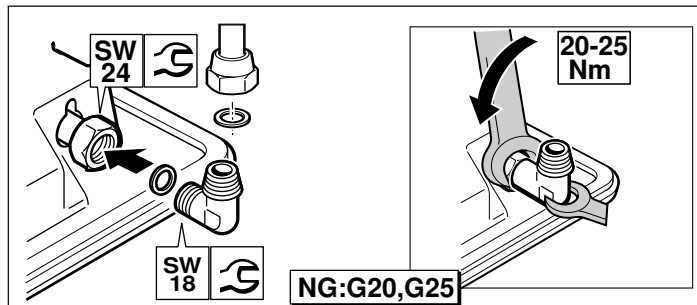
- Газ қосу құбырын құрылғыда сұйық газ қосу құбырына алмастырыңыз. Алдымен бұрандалы біріктірмені қауіпсіздік шлангінен (бар болса) немесе қамыттан босатыңыз да құрылғыдан ажыратыңыз. 1-сурет.

Қосу келте құбырын (13-ші кілтпен ұстап) құрылғының газ бұрандалы қоспасынан (24-ші келтпен ұстап) шешіңіз. 2-сурет.



- Қосқыш келте құбырға жаңа тығыздауышты орнату. Тығыздауыштың дұрыс орнатылғанына көз жеткізіңіз.
- Қосу келте құбырын (13-ші кілтпен ұстап) құрылғының газ бұрандалы қоспасына (24-ші келтпен ұстап) салыңыз.
- Газ құбырын немесе қауіпсіздік газ шланғын бұрандамен (24-ші кілтпен) және жаңа тығыздауышпен қосу келте құбырына салып қатты тартып қойыңыз.
- Бітеулігін тексеру үшін "Бітеулігін тексеру" тарауын қараңыз. Газ қосқышы үшін жабу аспабын ашыңыз.

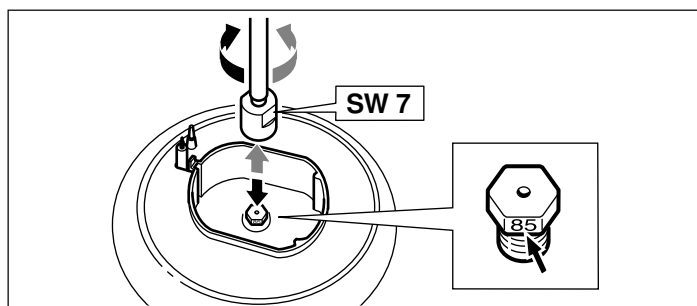
**Нұсқау:** Газ түрін ауыстыру үшін бұрау моменті кілтін пайдаланыңыз.



## Жанарғы форсункаларын алмастыру

Басқа газ түріне өзгертілген құрылғының газ біріктіру құралы алмастырылғаннан соң барлық жанарғы форсункаларын алмастыру қажет. Төмендегі басқыштарды орныдау керек:

1. Басқару панеліндегі барлық қосқыштарды өшіріңіз.
2. Газ ағымын жабу.
3. Қазан тірегімен жанарғы бөліктерін алып қойыңыз.
4. Жанарғы форсункаларын алып қойыңыз (торқтық кілт 7)



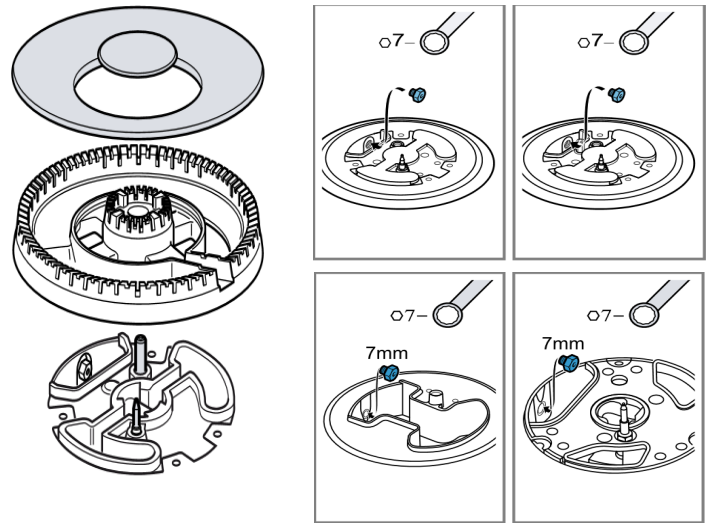
5. Жанарғы форсункаларын есептеу үшін "Техникалық мәліметтер - газ" тарауында кестені қараңыз. Жаңа форсункаларды тиісті жанарғыларға салыңыз.

Форсункаларды алмастырудан соң бітеулігін тексеріңіз. Ол үшін "Бітеулігін тексеру" тарауын қараңыз.

**\*\* Таңдаулы:** Тек бірнеше үлгілер үшін жүреді.

**Нұсқау:** Вок бар пісіру панельдері үшін

;



## Байпас форсункаларын орнату немесе алмастыру

Байпас форсункалары жанарғы ең кіші алау биіктігін реттейді.

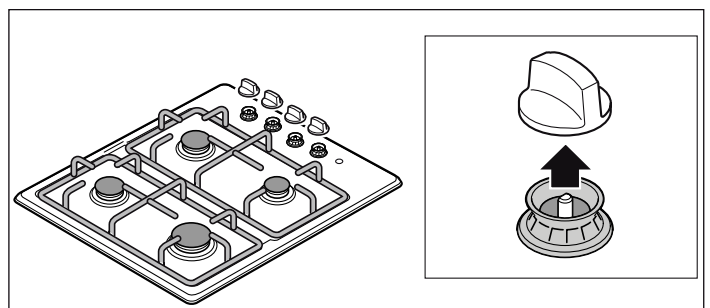
**Дайындау**

Газ ағымын жабу.

**⚠ Электр қуатынан зақымға ұшырау қауіптілігі!**

Құрылғыны тоқ желісінен ажыратыңыз.

1. Басқару панеліндегі қосқышты өшіріңіз.
2. Барлық тұтқаларды абайлап жоғарыға шешіңіз.

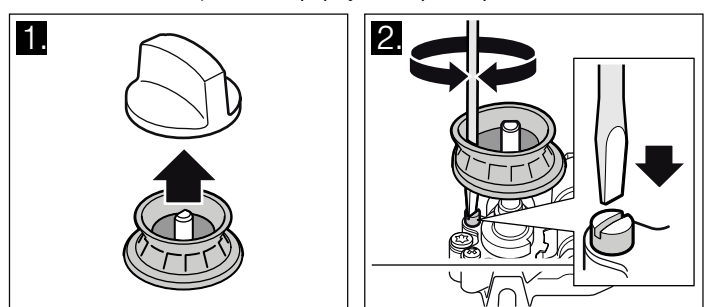


**Табиғи газдан сұйық газға өтуде байпас форсункаларын реттеу немесе алмастыру:**

**Байпас форсункалар (опциялық) тікелей жету мүмкіндігі бар нұсқалар үшін:**

Пісіру панеліндегі шығару тесіктерінде байпас форсункаларын тірелгенше бекітіңіз.

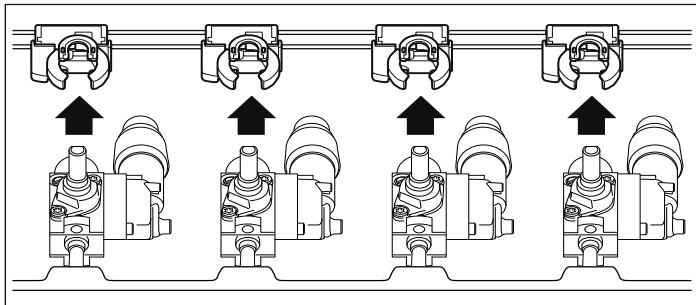
Жанарғылардың байпас форсункалары көрінетін шығару тесіктері арқылы реттеледі, егер қосқыш тұтқалары басқару панелінен алып қойыңыз. Ол үшін тура ұштық бұрауышты (2-ші) шығару тесіктерінен тікелей салып (кабельді зақымдамауды қамтамасыз етіңіз) байпас форсункаларын тірелгенше бекітіңіз.



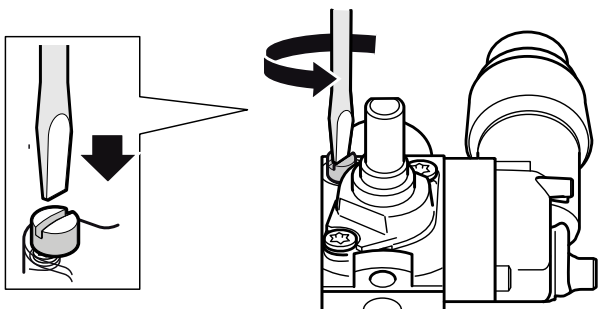
### Байпас форсункаларына тікелей тимейтін нұсқалар үшін (опциялық):

Байпас форсункаларына жету үшін пісіру панелін шешу керек. "Пісіру панелін шешу" тарауын қараңыз.

Пісіру панелін шешкеннен, жарылатын заттектер тобын шүмектерден алып қойыңыз.



Сосын байпас форсункаларын тірелгенше тартып бекіту керек.



Сосын жарылатын заттектер тобын қайта салып пісіру панелін орнатыңыз "Пісіру панелін орнату" тарауында сипатталғандай.

### Табиғи газдан сұйық газға өтуде байпас форсункаларын реттеу немесе алмастыру:

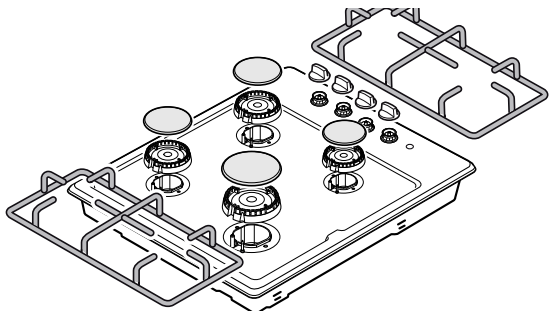
Құрылғыдағы барлық байпас форсункаларын алмастыру керек. "Пісіру панелін шешу" тарауын қараңыз.

Пісіру панелін шешкеннен, жарылатын заттектер тобын шүмектерден алып қойыңыз. Сосын "Байпас форсункаларын алмастыру" тарауындағы қадамдарды орындау қажет.

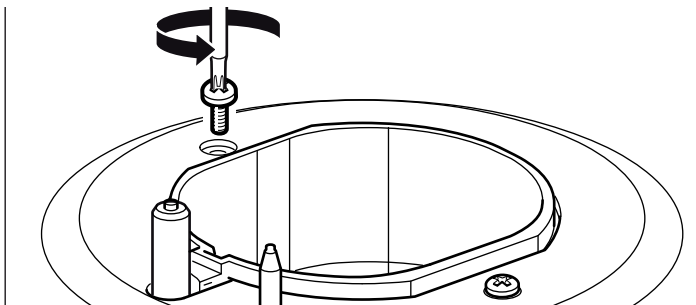
Сосын жарылатын заттектер тобын қайта салып "Пісіру панелін орнату" тарауындағы қадамдарды орындаңыз.

### Пісіру аймағының плитасын шешу

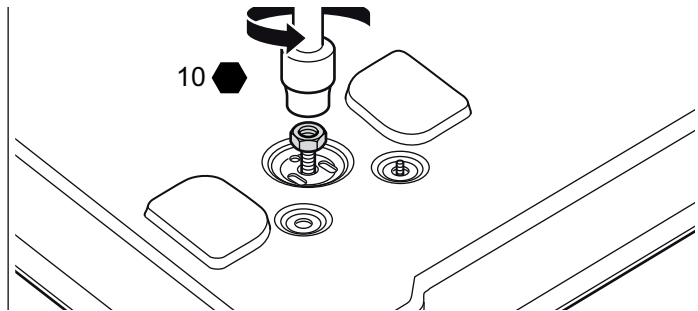
1. Қазан тірегімен тұтқаларды және жанарғы бөліктерін алып қойыңыз.



2. Жанарғы қосу бұрандаларын пісіру аймағында босатыңыз.



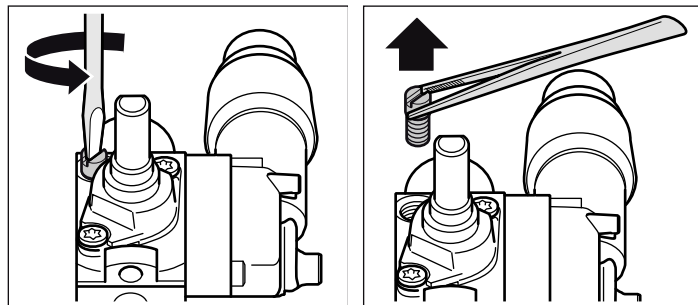
3. Электроплитасы бар үлгілер үшін (таңдаулы): жанарғы бұрандаларын босатқаннан соң пісіру аймағын бұрап электроплита біріктіру сомынын алып қойыңыз.



4. Пісіру аймағының плитасын екі қолмен екі жағынан ұстап абайлап көтеріңіз.

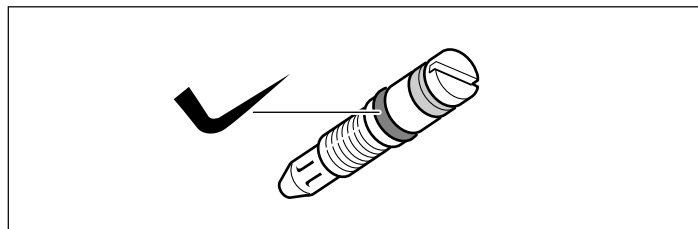
### Байпас форсункаларын алмастыру

1. Байпас форсункаларын тік ұштық бұрауышпен (№ 2) бұрап шығарыңыз. Байпас форсункаларын алып қойыңыз.



2. Өтетін газ түріне сай, жаңа байпас форсункаларын кестеден таңдап алыңыз. "Техникалық деректер – газ" тарауын қараңыз.

3. Байпас форсункаларында тығыздауыштардың дұрыс орнатылғанын және мінсіз жұмыс істеуін тексеріңіз. Тек мінсіз тығыздауыштық байпас форсункаларын пайдаланыңыз.



4. Жаңа байпас форсункаларын орнатып жақсы тартып қойыңыз. Барлық байпас форсункалары дұрыс шүмектерде бекітілгенін тексеріңіз.

5. Бұл фазада міндетті түрде бітеулігін тексеріңіз. "Бітеулігін тексеру" тарауын қараңыз.

### Пісіру панелін орнату

Орнату кері реттілікте орындалады.

1. Сымдар зақымдалмауына және біріктірмелер ажырлмауына көз жеткізіңіз.

Жарылу заттектер тобын жай орнатыңыз.

2. Пісіру панелін жайлап жанарғыға орнатыңыз. Пісіру панелінің жанарғы бұрандаларын салыңыз.

#### Назар аударыңыз!

От алдыру білтесі мен термоэлемент тығыздауыштары пісіру панелінің астына түсіп кетпеуіне абай болыңыз.

3. Электр конфоркалары бар (опциялық) нұсқалар үшін: жанарғы бұрандаларын орнатқаннан соң пісіру панелін аударып электр конфорка қосу сомынын орнатыңыз.

## Байпас форсункаларын реттеп ауыстырғаннан соң

1. Жанарғы төменгі бөліктерін өлшеміне байланысты жайына орналастырыңыз және от алдыру білтесін тиісті тесіктерге жанарғы төменгі бөліктеріне орнатыңыз. Эмальдалған жанарғы қақпақтарын (өлшемдерге назар аударыңыз) сай жанарғы төменгі бөліктеріне ортаға орнатыңыз.

2. Кастрөл тіреуіш шілдер немесе торларын қайта орнатыңыз.

3. Реттеу тетіктерін абайлап салыңыз.

4. Бұл фазада міндетті ретте газ жанарғыларының жануын тексеріңіз. "Қауіпсіз жану" тарауын қараңыз.

5. Аспап мінсіз жұмыс істеуін тексеріңіз.

## Ауа кірмейтіндікті және қызмет етуді тексеру

### Жарылу қаупі бар!

Ұшқындардың пайда болуына жол бермеңіз. Ашық отты пайдаланбаңыз.

Ауа кірмейтіндікті тексеруді тек қолайлы аэрозоль көмегімен орындаңыз.

### Газ аққан жағдайда

Газ беруді жабыңыз.

Газ аққан бөлмені жақсылап желдетіңіз.

Газды және соплоларды қосу орнын тағы бір рет тексеріңіз. Ауа кірмейтіндікті тексеріңіз.

Ауа кірмейтіндікті екі адам келесі нұсқауларға сай орындауы керек.

### Газ қосылуын тексеріңіз

1. Газ ағымын ашу.

2. Газ қоспасына кему спрейін себіңіз.

Егер газ кемуін білдіретін кіші көбік немесе көпірік пайда болса "Газ кему жағдайында" тарауындағы нұсқауларды орындаңыз.

### Жанарғылардың соплоларын тексеру

1. Газды беруді ашыңыз.

Әр соплоның ауа кірмейтіндігін тексеріңіз.

2. Тексеріп жатқан соплоның тесігін саусақпен немесе қолайлы құралмен жайлап жабыңыз.

3. Соплоға газдың ағуын анықтауға арналған аэрозольды себіңіз.

4. Функциялар ауыстырып-қосқышын басыңыз және сағат тіліне кері бұрыңыз. Соплоға газ беріледі.

Егер ағып кетуді білдіретін шағын көпіршіктер немесе көбік пайда болса, «Газ аққан жағдайда» тарауындағы нұсқауларды орындаңыз.

### Реттеу винттерін тексеру

1. Газды беруді ашыңыз.

Кезекпен әр реттеу винтінің ауа кірмейтіндігін тексеріңіз.

2. Тексеріп жатқан соплоның тесігін саусақпен немесе қолайлы құралмен жайлап жабыңыз.

3. Тексеріп жатқан жанарғының соплосына газдың ағуын анықтауға арналған аэрозольды себіңіз.

4. Сөндіргіш тұтқасын басыңыз және сағат тіліне кері бұрыңыз. Соплоға газ беріледі.

Егер ағып кетуді білдіретін шағын көпіршіктер немесе көбік пайда болса, «Газ аққан жағдайда» тарауындағы нұсқауларды орындаңыз.

## Жалынның дұрыс құрылуын тексеру

### Жанарғы

Жану әдісі мен күйе жасалуы газ өзгергеннен соң әр жанарғыда тексерілуі керек.

Ақаулық пайда болса, форсунка мәндерін кестедегі мәндермен салыстыру керек.

1. Газ жанарғысы пайдалану нұсқаулығындағы нұсқаулар бойынша оталуы керек.

2. Өшіргіш тетігін кіші алауға реттеңіз.

Алау қауіпсіздік жүйесі жұмыс істегенін алауды 1 минут "Кіші алау" күйінде ұстап тексеріңіз.

3. Дұрыс жану әдісін үлкен және кіші алауда тексеріңіз. Алау бір қалыпта және тұрақты жануы керек.

4. Өшіргіш тетігін жылдам үлкен алаудан кіші алауға және керісіне реттеңіз. Бұл әдісті бірнеше рет қайталаңыз. Газ алауы жылжылдамауы және өшпеуі тиіс.

## Техникалық деректер - газ

Түрлі газ түрлері мен тиісті мәндер көрсетілген.

### Форсунка мәндері тиімді жанарғы үшін

	<b>G20</b>	<b>G25</b>	<b>G30</b>
Газ басымы (мбар)	20	25	29
Форсунка (мм)	0,72	0,72	0,50
Байпас форсунка (мм)	0,3	0,3	0,3
Максималды кіріс қуаты (кВт)	1	1	1
Максималды кіріс қуаты мин. (кВт)	≤ 0,33	≤ 0,33	≤ 0,33
Газ ағымы 15°С және 1013 мбар м³/сағ	0,095	0,111	-
Газ ағымы 15°С және 1013 мбар г/сағ	-	-	73

### Форсунка мәндері қалыпты жанарғы үшін

	<b>G20</b>	<b>G25</b>	<b>G30</b>
Газ басымы (мбар)	20	25	29
Форсунка (мм)	1,00	0,98	0,67
Байпас форсунка (мм)	0,32	0,32	0,32
Максималды кіріс қуаты (кВт)	1,75	1,75	1,75
Максималды кіріс қуаты мин. (кВт)	≤ 0,35	≤ 0,35	≤ 0,9
Газ ағымы 15°С және 1013 мбар м³/сағ	0,167	0,194	-
Газ ағымы 15°С және 1013 мбар г/сағ	-	-	127

### Форсунка мәндері үлкен жанарғы үшін (опциялық)

	<b>G20</b>	<b>G25</b>	<b>G30</b>
Газ басымы (мбар)	20	25	29
Форсунка (мм)	1,15	1,28	0,85
Байпас форсунка (мм)	0,39	0,39	0,39
Максималды кіріс қуаты (кВт)	3	3	3
Максималды кіріс қуаты мин. (кВт)	≤ 0,50	≤ 0,50	≤ 1,3
Газ ағымы 15°С және 1013 мбар м³/сағ	0,286	0,333	-
Газ ағымы 15°С және 1013 мбар г/сағ	-	-	218

### Форсунка мәндері минивок үшін (опциялық)

	<b>G20</b>	<b>G25</b>	<b>G30</b>
Газ басымы (мбар)	20	-	29
Форсунка (мм)	1,03	-	0,68
Байпас форсунка (мм)	0,61	-	0,61
Максималды кіріс қуаты (кВт)	3,5	-	3,3
Максималды кіріс қуаты мин. (кВт)	≤ 1,55	-	≤ 1,55
Газ ағымы 15°С және 1013 мбар м³/сағ	0,314	-	-
Газ ағымы 15°С және 1013 мбар г/сағ	-	-	240

Правила техники безопасности.....	23
Перед началом установки.....	23
Подготовка мебели.....	24
Монтаж прибора.....	24
Установка прибора.....	25
Демонтаж варочной панели.....	25
Монтаж, подключение к газу и электросети.....	25
Подключение газа.....	25
Неисправности системы газоснабжения/запах газа.....	26
Подключение к электросети.....	26
Типы подключений.....	26
Подключение природного газа (NG).....	26
Подключение сжиженного газа (LPG).....	27
Перенастройка на другой вид газа.....	28
Меры предосторожности.....	28
Перевод на другой вид газа.....	28

Детали для перенастройки на другой вид газа.....	28
Перевод прибора с природного газа на сжиженный газ (LPG).....	29
Перенастройка прибора со сжиженного газа на природный газ.....	29
Замена сопел горелок.....	29
Регулировка или замена байпасных жиклеров.....	30
Демонтаж варочной панели.....	31
Замена байпасных жиклеров.....	31
Установка варочной панели.....	31
<b>Проверка герметичности и функционирования.....</b>	<b>32</b>
Проверка подключения газа.....	32
Проверка сопел горелок.....	32
Проверка регулировочных винтов.....	32
<b>Правильное образование пламени.....</b>	<b>32</b>
Газовая горелка.....	32
<b>Технические характеристики - газ.....</b>	<b>33</b>

## Правила техники безопасности

Перед началом монтажа и эксплуатации внимательно изучите руководство к вашему электроприбору.

Приведенные в данном руководстве по монтажу рисунки являются ориентировочными.

**При невыполнении инструкций, содержащихся в данном руководстве, производитель освобождается от всякой ответственности.**

**Все операции по установке, наладке и адаптации к другому виду газа должны проводиться сертифицированным специалистом в соответствии со всеми действующими нормами и законодательством, а также с предписаниями местных газо- и электроснабжающих компаний.**

**Для адаптации прибора к другому виду газа рекомендуем связаться с нашим сервисным центром.**

**Перед проведением любых действий необходимо перекрыть подачу газа и электроэнергии к данному электроприбору.**

Данный прибор предназначен исключительно для бытового использования и не может применяться в промышленных или коммерческих целях. Данный прибор нельзя устанавливать на яхтах или в автокемперах. Гарантия производителя действительна только в случае использования прибора по назначению.

После подключения прибора проверьте, соответствуют ли установки прибора условиям в месте эксплуатации (вид и давление газа). Заводские установки прибора указаны на этикетке или типовой табличке.

Данное руководство действительно только в том случае, если на приборе указано условное обозначение соответствующей страны. Если обозначение страны на приборе отсутствует, следует использовать руководство по монтажу, содержащее необходимую для перенастройки прибора информацию об условиях подключения, действительных в соответствующей стране.

Данный прибор можно устанавливать только в хорошо проветриваемом месте, в соответствии с действующими нормами и инструкциями относительно вентиляции помещений. Данный прибор нельзя подсоединять к дымоходу для отвода дымовых газов.

Кабель питания необходимо закрепить на тумбе, чтобы не допускать его соприкосновения с нагревающимися деталями духового шкафа или варочной панели.

Приборы, работающие от электросети, обязательно должны быть заземлены.

Не проводите никаких действий в середине варочной панели. Если это необходимо, свяжитесь с нашим сервисным центром.

## Перед началом установки

Данный прибор относится к третьему классу защиты по стандарту EN 30-1-1 для газовых приборов: встроенное оборудование.

Мебель, соприкасающаяся с варочной панелью, должна быть изготовлена из невоспламеняющихся материалов.

Облицовочные слоистые покрытия и закрепляющий их клей должны быть термостойкими.

Данный прибор нельзя устанавливать над холодильниками, стиральными машинами, посудомоечными машинами и другой подобной техникой.

При монтаже варочной панели над духовым шкафом духовой шкаф должен иметь функцию принудительной вентиляции. Проверьте размеры духового шкафа по руководству по монтажу.

При монтаже вытяжки необходимо соблюдать указания в руководстве по монтажу и обязательно выдерживать минимальное расстояние 650 мм до варочной панели по вертикальной оси.

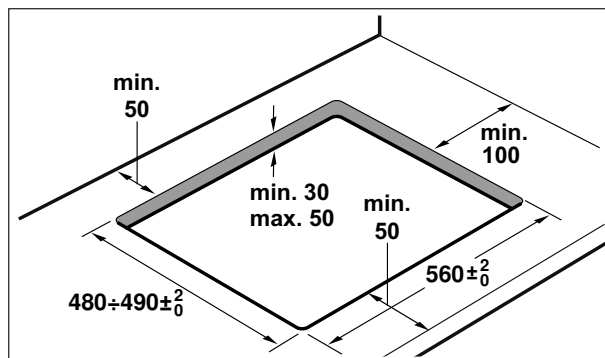
## Подготовка мебели

Проделайте в столешнице отверстие нужных размеров.

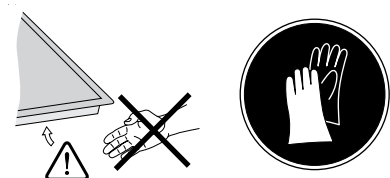
Прибор следует устанавливать в соответствии с указанными размерами. Не допускается установка прибора на каких-либо других предметах.

При установке электрической или комбинированной (газовые и электрические конфорки) варочной панели без духового шкафа, необходимо поставить под ней перегородку из невоспламеняющегося материала (например, из металла или фанерного листа) на расстоянии 10 мм от основания варочной панели. Таким образом доступ к нижней части панели будет перекрыт. В случае газовой варочной панели также рекомендуется установить перегородку на том же расстоянии.

Если столешница выполнена из дерева, покройте поверхность среза специальным герметиком, чтобы защитить ее от действия влаги.

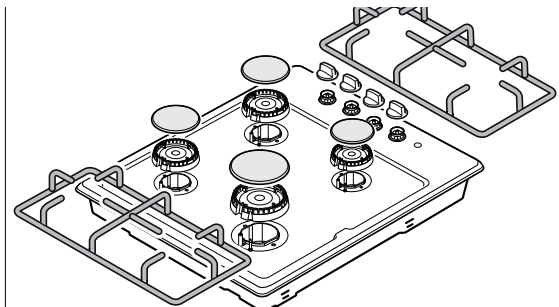


## Монтаж прибора



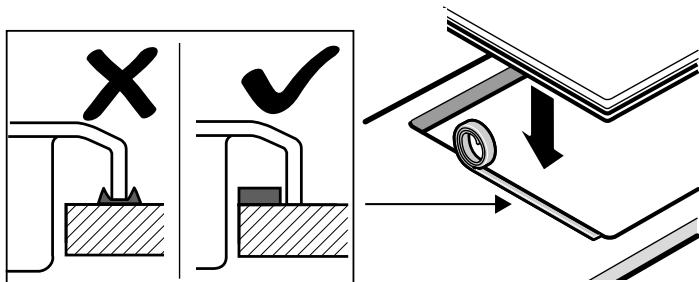
**Указание:** При установке варочной панели используйте защитные перчатки.

Снимите решетки, ручки, крышки горелок и корпуса горелок.



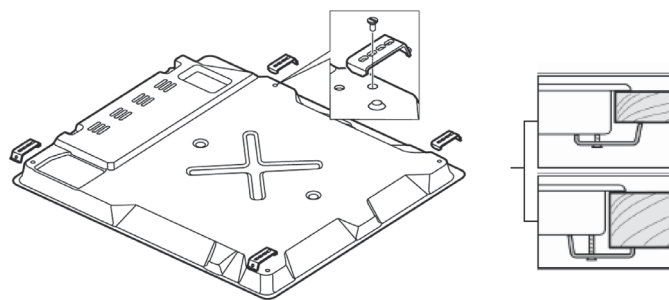
Осторожно переверните прибор и уложите его на мягкое полотенце. При этом следите за тем, чтобы не повредить детали системы поджига.

Входящая в комплект варочной панели клеящая прокладка предотвращает подтекание. Наклейте ее на столешницу по контуру отверстия для варочной панели. Она должна проходить по краю выреза.



Чтобы закрепить варочную панель в тумбе:

1. Возьмите из пакета с принадлежностями зажимы и привинтите их в показанном на рисунке положении так, чтобы они могли свободно вращаться.
2. Вставьте варочную панель в подготовленное отверстие и выровняйте ее. Нажмите на края панели так, чтобы варочная панель оперлась на край столешницы по всему периметру.
3. Разверните зажимы и туго затяните их. Положение зажимов зависит от толщины столешницы.

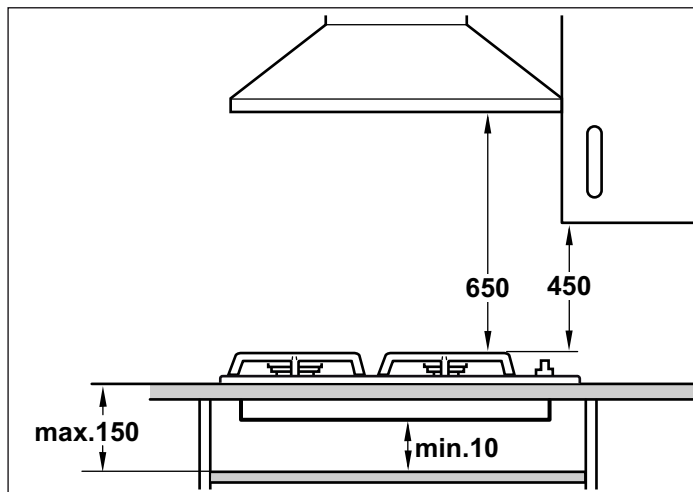


Запрещается приклеивать прибор к столешнице с помощью силикона.



## Установка прибора

- Расстояние между верхним краем плиты и нижним краем вытяжки должно соответствовать указаниям производителя вытяжки.
- Следите за тем, чтобы прибор не сдвинулся после установки. Прежде всего, расстояние от газовой горелки повышенной мощности до поверхности стоящей рядом мебели или стены должно быть не менее 50 мм.
- Дно прибора нагревается в процессе эксплуатации. Поэтому мы рекомендуем установить защитную пластину на прибор снизу.



## Демонтаж варочной панели

Отсоедините прибор от электросети и от газопровода.

Открутите винты зажимов и повторите действия, выполненные во время монтажа, в обратном порядке.

## Монтаж, подключение к газу и электросети

### Подключение газа

Подключение должно осуществляться только специалистом с допуском или лицензированным сотрудником сервисной службы в соответствии с указаниями, данными в "Руководстве по монтажу".

### Для лицензированного специалиста или сервисной службы

#### Внимание!

Установки для этого прибора указаны на типовой табличке на задней стенке прибора. Вид газа, на который настроен данный прибор, отмечен звездочкой (\*).

Если символ звездочки расположен рядом с надписью NG, это значит, что прибор настроен на природный газ, рядом с надписью LPG - на сжиженный газ.

#### Внимание!

Перед подключением прибора проверьте, соответствуют ли условия подключения на месте (вид и давление газа) настройкам прибора. Если настройки прибора требуется изменить, то следуйте указаниям, данным в "Руководстве по монтажу".

#### Внимание!

Этот прибор не подключен к отводу дымовых газов. Он должен быть подключен в соответствии с предписаниями по монтажу и введен в эксплуатацию. Не подключайте прибор к дымоходу. Должны быть соблюдены все нормы вентиляции.

#### Внимание!

Подключение газа должно осуществляться стационарно (т. е. не через временные подключения) или через специальный безопасный газовый шланг.

#### Внимание!

Если используется безопасный газовый шланг, убедитесь что он не защемлен и не сдавлен. Шланг не должен соприкасаться с горячей поверхностью.

#### Внимание!

Соединение должно иметь легко доступный запорный кран.

### Правила техники безопасности

Номинальные значения давления при эксплуатации прибора составляют

для природного газа (G20) 20 мбар, для природного газа (G25) 25 мбар, для сжиженного газа (G30) 30 мбар, для сжиженного газа (G31) 37 мбар. Соблюдайте указанные значения давления при эксплуатации прибора. Все данные на типовой табличке прибора приводятся с учётом вышеуказанных значений давления. Производитель не несёт ответственности за последствия или риск, связанные с эксплуатацией прибора с недопустимыми значениями давления.

#### **⚠ Несоблюдение давления газа в газораспределительной сети!**

Если давление газа для природного газа (G20) выше чем 25 мбар, для природного газа (G25) выше чем 30 мбар, для сжиженного газа (G30) выше чем 36 мбар, для сжиженного газа (G31) выше чем 45 мбар, в целях безопасности установите на прибор подходящий регулятор давления газа. Подключение, техобслуживание и настройка регулятора давления газа должны выполняться квалифицированным специалистом, имеющим на это разрешение. Если вы не знаете, какое давление в газораспределительной сети в вашем доме, уточните его в местной газовой службе.

## Неисправности системы газоснабжения/ запах газа

Если вы почувствовали запах газа или обнаружили неисправность в системе газоснабжения, необходимо:

### **⚠ ПОРЯДОК ДЕЙСТВИЙ В СЛУЧАЕ, ЕСЛИ ВЫ ПОЧУВСТВОВАЛИ ЗАПАХ ГАЗА!**

Утечка газа может привести к взрыву.

**Если вы почувствовали запах газа или заметили неисправность на газопроводе, следует:**

- сразу же перекрыть подачу газа или закрыть вентиль газового баллона,
- сразу же затушить открытый огонь и потушить сигареты,
- не включать осветительные и электробытовые приборы, не вынимать штепсельные вилки из розеток, не пользоваться в помещении стационарным или мобильным телефоном,
- открыть окна и хорошо проветрить помещение,
- позвонить в сервисную или газовую службу.

## Подключение к электросети

### Внимание!

- Доверьте установку прибора специалистам сервисной службы. Для подключения необходимо наличие предохранителя на 16 А. Прибор рассчитан на напряжение электросети 220-240 В.
- При падении напряжения электросети ниже 180 В перестаёт функционировать электрический поджиг.
- На неисправности, возникшие из-за неправильного подключения прибора, гарантия не распространяется.
- Для замены поврежденного сетевого кабеля обратитесь к изготовителю, в его сервисную службу или к квалифицированному электрику.

### Для сервисной службы

#### Внимание!

Подключение прибора к электросети должно выполняться только специалистом сертифицированной сервисной службы. Соблюдайте предписания местного предприятия по электроснабжению.

### Внимание!

Подключение прибора должно выполняться в соответствии с параметрами, указанными на типовой табличке.

### Внимание!

Напряжение в сети должно соответствовать значению, указанному на этикетке или типовой табличке.

### Внимание!

Подключение к электросети должно быть выполнено в соответствии с действующими предписаниями. Розетка должна быть легкодоступна, чтобы прибор в случае необходимости можно было быстро отключить от электросети.

### Внимание!

Должен быть установлен выключатель с размыканием всех полюсов.

### Внимание!

Никогда не используйте удлинители и тройники.

### Внимание!

В целях безопасности разрешается подключать этот прибор только к электрической сети с заземлением. Если розетка с заземлением не соответствует предписаниям, защита от поражения электрическим током не гарантируется.

### Внимание!

Для подключения прибора следует использовать кабель типа H 05 W-F или другой аналогичный кабель.

### Подключение для моделей с сетевым кабелем без вилки (опция):

#### Внимание!

Приборы с трехполюсными кабелями должны иметь заземление.

Соедините жилы с сетевым кабелем в соответствии со следующей цветовой маркировкой:

Зеленый/желтый	Заземление ⊕
Синий	Нейтраль
Коричневый	Фаза

При необходимости замены сетевого кабеля: Подсоедините кабель к прибору в соответствии с электрической схемой.

## Типы подключений

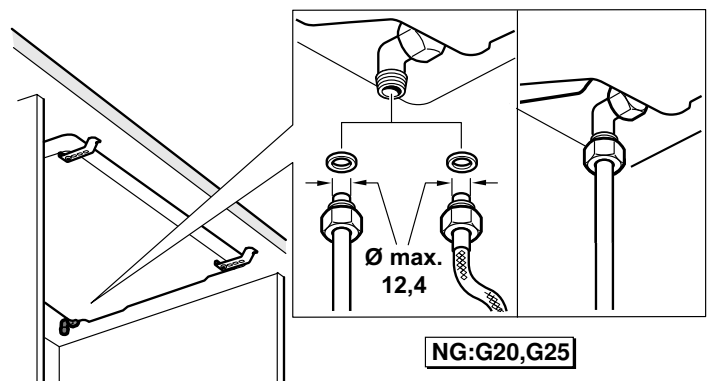
Данные указания действительны только для установки прибора в странах, указанных на типовой табличке.

**Указание:** Если прибор устанавливается, подключается и используется в стране, не указанной на типовой табличке, следует использовать руководство по монтажу и подключению, содержащую информацию об условиях подключения, действительных в соответствующей стране.

Подключение к газу должно быть осуществлено таким образом, чтобы был свободный доступ к запорному крану.

## Подключение природного газа (NG)

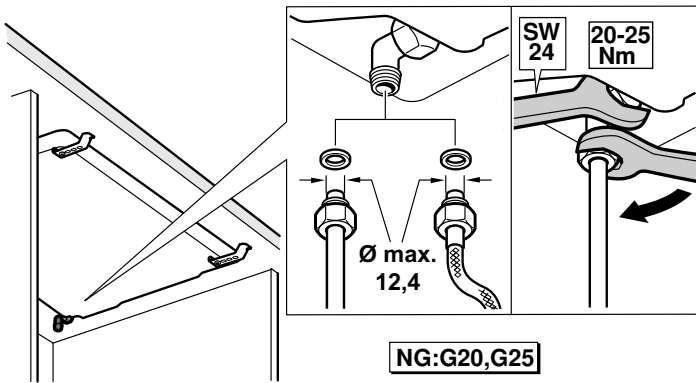
При использовании природного газа (NG) подключение осуществляется с помощью газовой трубы или безопасного газового шланга с резьбовыми соединениями на обоих концах.



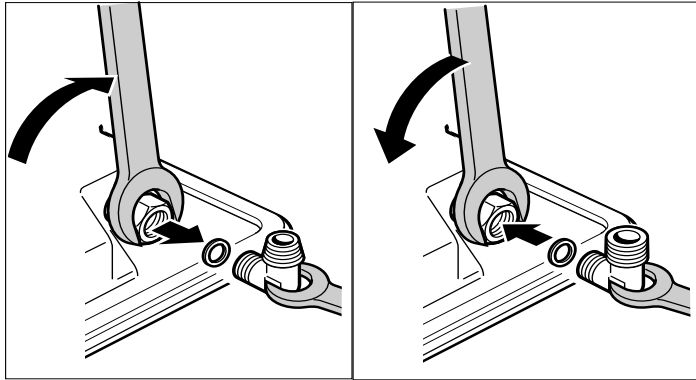
Установите газовую трубу или безопасный газовый шланг с резьбовым соединением (ключ на 24) и новым уплотнителем на соединительном элементе и плотно затяните.

После выполнения подключения проведите проверку герметичности. См. главу «Проверка герметичности».

**Указание:** Для подключения прибора используйте динамометрический ключ.



**Указание:** Если требуется цилиндрическое соединение, замените установленный на заводе зажим на цилиндрический зажим из комплекта принадлежностей.



**Допустимые типы подключений природного газа по странам:**

Страна	EN 10226 R <sup>1/2</sup> (TS 61-210 EN 10226 R <sup>1/2</sup> )	EN ISO 228 G <sup>1/2</sup> (TS EN ISO 228 G <sup>1/2</sup> )
AT Австрия	X	
BE Бельгия		X
CH Швейцария	X	
DE Германия	X	
ES Испания	X	X
FR Франция		X
GR Греция	X	
IT Италия	X	X
NL Нидерланды	X	
PT Португалия	X	X
HR Хорватия	X	
SL Словения	X	
XS Сербия	X	
DE Турция	X	X
PL Польша	X	X
RO Румыния	X	X
AE ОАЭ		X
ZA Южная Африка		X
HU Венгрия	X	
RU Россия		X
GB Англия	X	

## Подключение сжиженного газа (LPG)

### Внимание!

Соблюдайте требования, действующие в вашей стране.

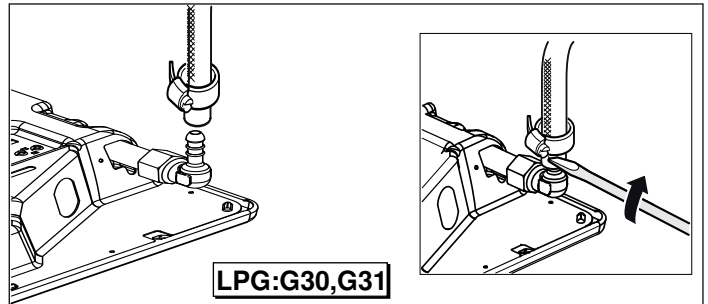
При использовании сжиженного газа (LPG) его подключение осуществляется с помощью газового шланга или стационарного соединения.

Важно учитывать при использовании газового шланга:

- Используйте безопасный или пластиковый газовый шланг (диаметр 8 мм).
- Шланг должен быть зафиксирован в месте подключения с помощью подходящего элемента крепления (например, хомута).
- Шланг должен быть коротким и абсолютно герметичным. Длина шланга не должна превышать макс. 1,5 м. Соблюдайте действующие директивы.
- Заменяйте газовый шланг не реже одного раза в год.

Установите безопасный газовый шланг и плотно затяните путём вворачивания резьбового соединения или с помощью зажимной скобы.

После выполнения подключения проведите проверку герметичности. См. главу «Проверка герметичности».



# Перенастройка на другой вид газа

## Меры предосторожности

Перевод прибора на другой вид газа может быть осуществлен только специалистом в соответствии с указаниями данного руководства.

**Неправильное подключение и установка параметров могут стать причиной серьезных повреждений прибора. Производитель прибора не несёт ответственности за повреждения подобного рода.**

Обращайте, пожалуйста, внимание на символы, указанные на типовой табличке. При отсутствии символа, обозначающего Вашу страну, придерживайтесь при выполнении установок предписаний, действующих в Вашей стране.

Перед монтажом прибора осведомитесь о виде и давлении газа местной газовой сети. Перед запуском прибора убедитесь в том, что все установки были выполнены верно.

Соблюдайте региональные и международные положения и требования.

Вся информация о параметрах подключения содержится на типовой табличке на нижней стороне прибора.

Внесите данные в следующую таблицу:

номер изделия (номер E), заводской номер (FD), внесите данные об установках для вида газа/давления газа завода-изготовителя, а также об установках для вида газа/давления газа, действующих после перевода на другой вид газа, в следующую ниже таблицу.

Номер E	Номер FD
Сервисная служба ☎	
Вид газа/давление газа	
Данные на типовой табличке	
Вид газа/давление газа	
Данные после перевода на другой вид газа	

Изменения установок прибора, а также вид подключения имеют важное значение для безопасности эксплуатации.

## Перевод на другой вид газа

- Газовый штуцер подлежит замене.
- Форсунки горелок подлежат замене.
- В зависимости от установок газа, выполненных на заводе-изготовителе, байпасные жиклеры кранов горелок должны быть заменены или ввернуты до упора.

Цифры на форсунках показывают их диаметр. Более подробную информацию о подходящих для прибора видах газа и соответствующих форсунках газовых горелок можно найти в разделе «Технические характеристики — Газ».

## После перевода на другой вид газа

- После перевода на другой вид газа следует выполнить проверку герметичности. Для этого см. раздел «Проверка герметичности».
- После перевода на другой вид газа следует проверить горение. Для этого см. раздел «Правильное горение».
- Впишите новый вид газа и новое давление газа в таблицу. Для этого см. раздел «Меры предосторожности».

## Внимание!

После перенастройки на другой вид газа следует наклеить наклейку с данными о виде газа и звёздочкой на предусмотренное место на типовой табличке с надписью **СОБЛЮДАТЬ ОБЯЗАТЕЛЬНО**.

## Детали для перенастройки на другой вид газа

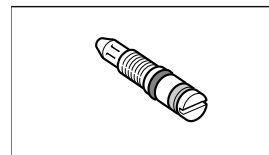
Ниже представлены изображения деталей, необходимых для перенастройки на другой вид газа.

Для определения верных параметров форсунок см. таблицу «Технические характеристики - газ».

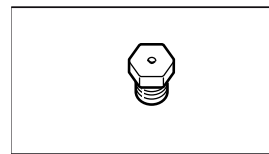
Всегда используйте новый уплотнитель.

Соединительные элементы для подключения газа могут различаться в зависимости от вида газа и действующих в стране требований.

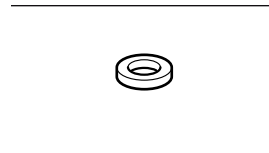
(\*) Без данных деталей запрещается выполнять подключение газа.



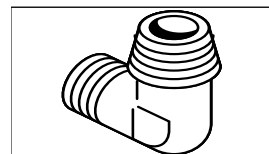
Байпасный жиклёр



Форсунка горелки



(\*) Уплотнитель

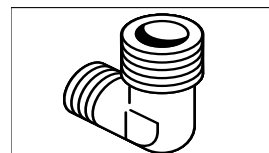


(\*) Соединительный элемент для природного газа

(NG: G20, G25)

TS 61-210 EN 10226 R $\frac{1}{2}$

EN 10226 R $\frac{1}{2}$

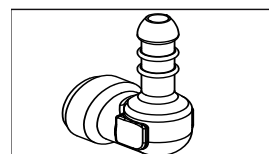


(\*) Соединительный элемент для природного газа

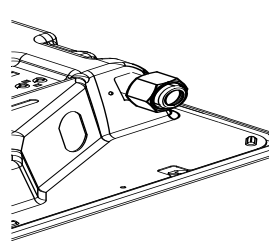
(NG: G20, G25)

TS EN ISO 228 G $\frac{1}{2}$

EN ISO 228 G $\frac{1}{2}$



(\*) Соединительный элемент для сжиженного газа (LPG: G30, G31)



Резьбовое соединение

## Перевод прибора с природного газа на сжиженный газ (LPG)

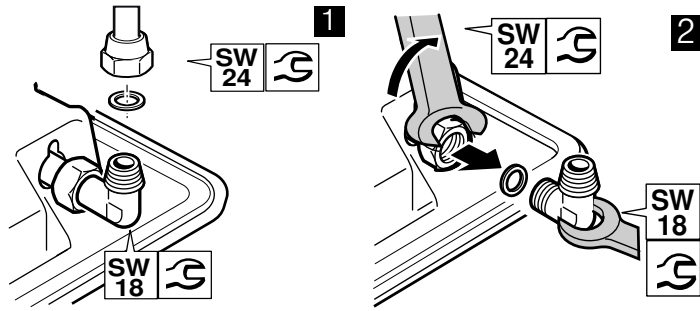
При перенастройке прибора с природного газа (NG: G20, G25) на сжиженный газ (LPG: G30, G31):

Замените переходник для природного газа на приборе трубкой для подключения сжиженного газа.

- Сначала ослабьте безопасный газовый шланг или газовую трубу и отсоедините от прибора.

Для этого отсоедините газовую трубу или резьбовое соединение безопасного газового шланга (ключ на 24) от соединительного элемента для подключения газа (**удерживайте ключом на 18**). Рис. 1.

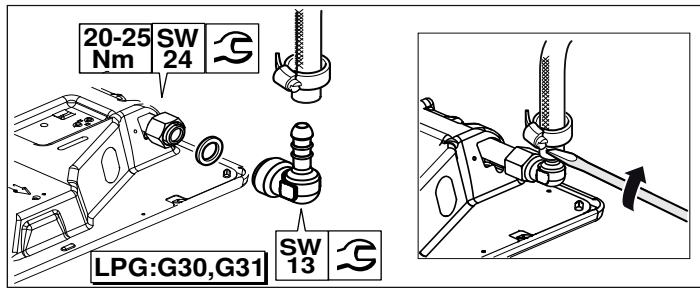
Снимите соединительный элемент (**удерживайте ключом на 13**) с резьбового соединения газового шланга прибора (ключ на 24). Рис. 2.



При использовании сжиженного газа (LPG) его подключение осуществляется с помощью газового шланга или стационарной трубы.

- Вложите новый уплотнитель в соединительный элемент. Следите за правильным положением уплотнителя.
- Установите соединительный элемент (**удерживайте ключом на 13**) в резьбовое соединение газового шланга прибора (ключ на 24).
- Установите безопасный газовый шланг и плотно затяните путём вворачивания резьбового соединения или с помощью зажимной скобы.
- Проверьте герметичность, см. главу «Проверка герметичности». Откройте газовый кран.

**Указание:** Для перевода на другой вид газа следует использовать динамометрический ключ.



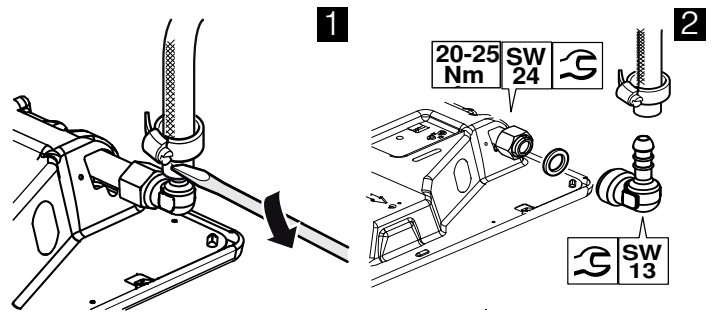
## Перенастройка прибора со сжиженного газа на природный газ

При перенастройке прибора со сжиженного газа (NG: G20, G25) на природный газ (LPG: G30, G31):

При использовании природного газа (NG) подключение осуществляется с помощью газовой трубы или безопасного газового шланга с резьбовыми соединениями на обоих концах.

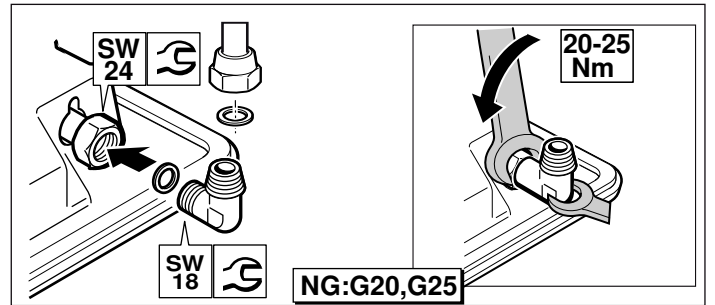
- Замените трубку подключения газа на приборе переходником для природного газа. Сначала ослабьте резьбовое соединение безопасного газового шланга (при наличии) или зажимную скобу и отсоедините от прибора. Рис. 1.

Снимите соединительный элемент (**удерживайте ключом на 13**) с резьбового соединения газового шланга прибора (ключ на 24). Рис. 2.



- Вложите новый уплотнитель в соединительный элемент. Следите за правильным положением уплотнителя.
- Установите соединительный элемент (**удерживайте ключом на 13**) в резьбовое соединение газового шланга прибора (ключ на 24).
- Установите газовую трубу или безопасный газовый шланг с резьбовым соединением (ключ на 24) и новым уплотнителем на соединительном элементе и плотно затяните.
- Проверьте герметичность, см. главу «Проверка герметичности». Откройте газовый кран.

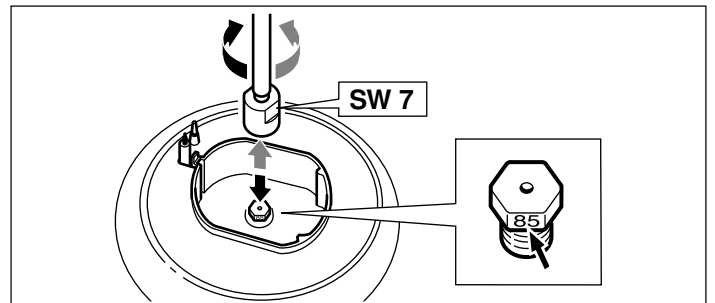
**Указание:** Для перевода на другой вид газа следует использовать динамометрический ключ.



## Замена сопел горелок

После замены газового штуцера на приборе при переводе на другой вид газа необходимо заменить все сопла горелок. Для этого нужно выполнить следующее:

1. Установите все регуляторы на панели управления в положение «ВЫКЛ».
2. Перекройте подачу газа.
3. Снимите решётку для посуды и детали горелки.
4. Снимите сопла горелок (шестигранный ключ с раствором на 7 мм).



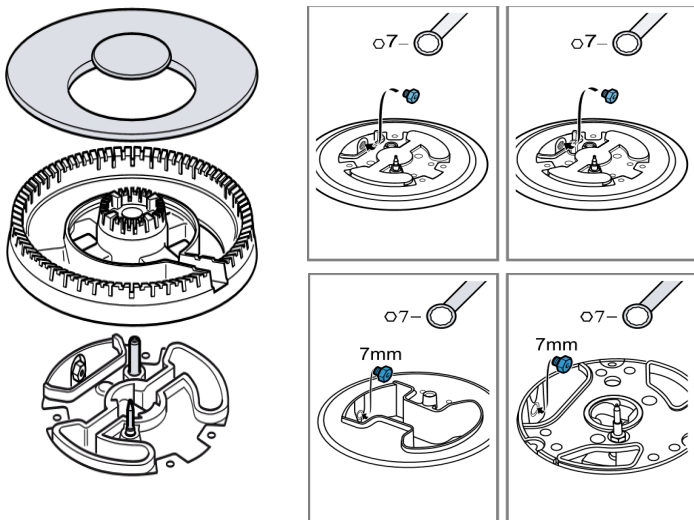
5. Для определения сопел горелки см. таблицу в разделе «Технические характеристики — Газ». Вставьте новые форсунки в соответствующие горелки.

После замены форсунок выполните проверку герметичности. Для этого см. раздел «Проверка герметичности».

**\*\* Опция:** Действительна только для некоторых моделей.

**Указание:** Для варочных панелей, оснащённых горелкой Wok

;



## Регулировка или замена байпасных жиклеров

Байпасные жиклеры предназначены для регулировки минимальной высоты пламени горелок.

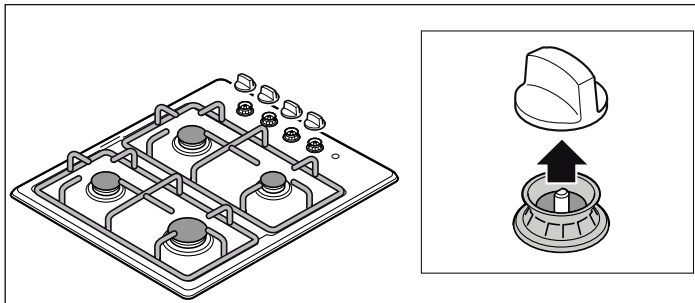
### Подготовка

Перекройте подачу газа.

**⚠ Опасность удара током!**

Отсоедините прибор от электросети.

1. Установите все регуляторы мощности на панели управления в положение «ВЫКЛ».
2. Осторожно оттяните все ручки вверх.

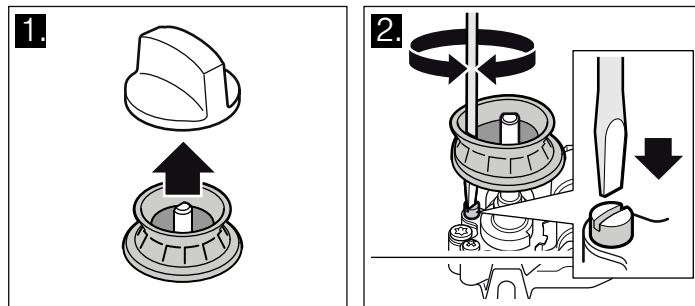


## Регулировка или замена байпасных жиклёров при переводе с природного газа на сжиженный газ:

### Для моделей с прямым доступом к байпасным жиклёрам (опция):

Затяните байпасные жиклёры через сливные отверстия в варочной панели до упора.

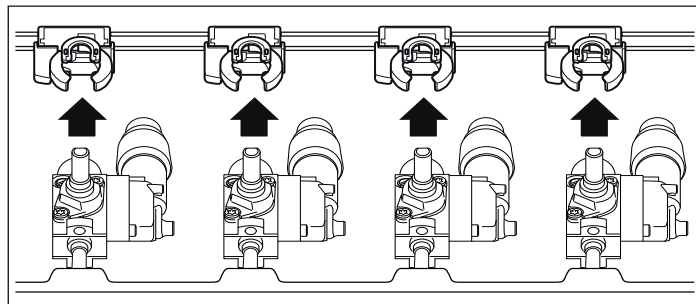
Регулировка байпасных жиклёров горелок возможна через сливные отверстия, которые становятся видны после снятия ручек переключателей с панели управления. Для этого введите отвёртку (№ 2) с плоским лезвием через сливные отверстия (следите, чтобы при этом не повредить кабели) и затяните байпасные жиклёры до упора.



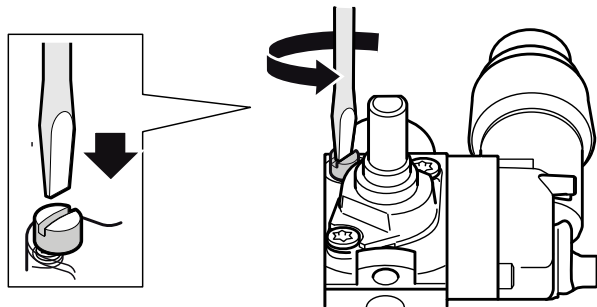
### Для моделей без прямого доступа к байпасным жиклёрам (опция):

Для получения доступа к байпасным жиклёрам следует снять варочную панель. См. главу «Демонтаж варочной панели».

После демонтажа варочной панели снимите блок поджига на газовых кранах.



После этого необходимо затянуть до упора байпасные жиклёры.



Затем снова установите блок поджига и варочную панель, как описано в главе «Установка варочной панели».

### Регулировка или замена байпасных жиклёров при переводе со сжиженного газа на природный газ:

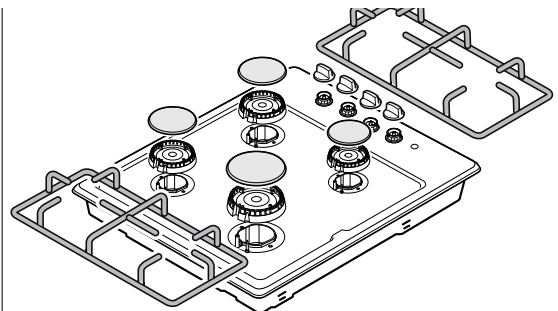
необходимо заменить все байпасные жиклёры прибора. См. главу «Демонтаж варочной панели».

После демонтажа варочной панели снимите блок поджига. После этого необходимо выполнить действия, описанные в главе «Замена байпасных жиклёров».

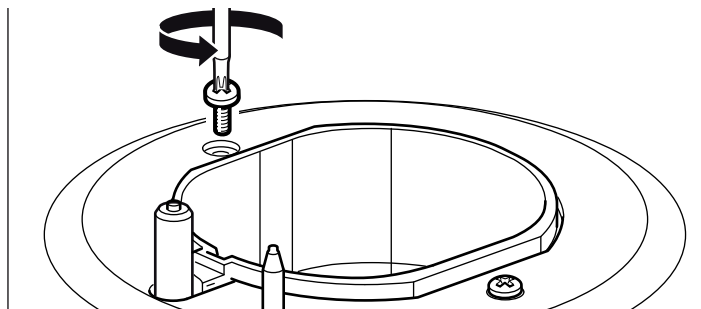
Затем снова установите блок поджига и выполните действия, описанные в главе «Установка варочной панели».

## Демонтаж варочной панели

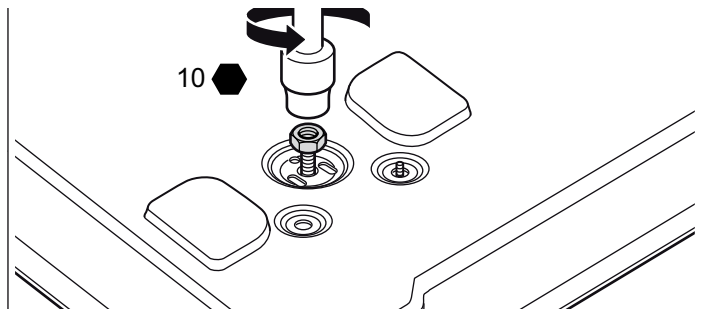
1. Снимите решетку для посуды, ручки и детали горелок.



2. Выверните винты крепления горелок к варочной панели.



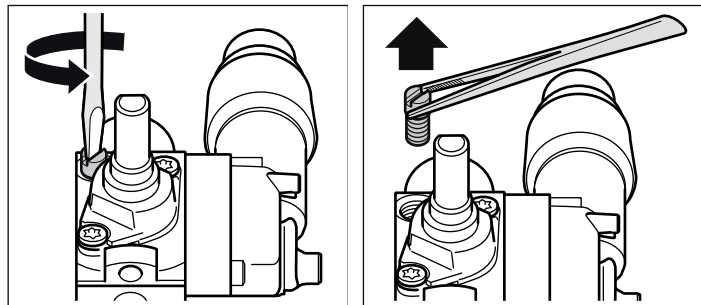
3. Модели с электрической конфоркой (опция): После выворачивания винтов крепления горелок переверните варочную панель и отверните гайку крепления электрической конфорки.



4. Возьмите варочную панель по бокам двумя руками и осторожно приподнимите.

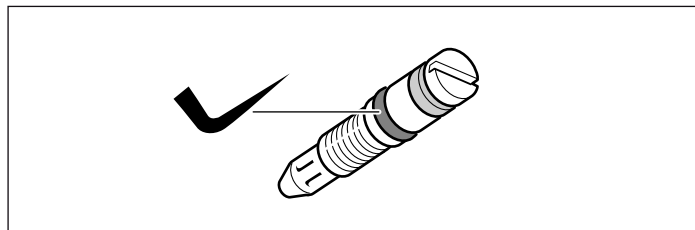
## Замена байпасных жиклёров

1. Выверните байпасные жиклёры с помощью отвёртки с плоским лезвием ( № 2). Извлеките байпасные жиклёры.



2. Выберите в таблице новые подходящие байпасные жиклёры в зависимости от вида газа, на который выполняется перенастройка. См. главу «Технические характеристики - газ».

3. Проверьте уплотнители байпасных жиклёров на правильность установки и безупречное функционирование. Запрещается использовать байпасные жиклёры с дефектными уплотнителями.



4. Вставьте новые байпасные жиклёры и плотно затяните. Убедитесь, что все байпасные жиклёры закреплены на правильных местах.

5. На этом этапе обязательно выполните проверку герметичности. См. главу «Проверка герметичности».

## Установка варочной панели

Установка производится в обратной последовательности.

1. Следите, чтобы при работе не были повреждены кабели и другие соединения.

Осторожно установите блок поджига.

2. Осторожно установите варочную панель на горелки.

Установите винты крепления горелок на варочной панели.

### Внимание!

Следите за тем, чтобы уплотнители термоэлемента и свечи поджига под варочной панелью не упали.

3. Для моделей с электрической варочной панелью (опция): после выворачивания винтов крепления горелок переверните варочную панель и отверните гайку крепления электрической конфорки.

## После регулировки и замены байпасных жиклёров

1. Правильно установите нижние части горелок в соответствии с их размером и вставьте свечи поджига в соответствующие отверстия рядом с нижними частями горелок. Установите эмалированные крышки горелок (обратите внимание на размеры) по центру на соответствующие нижние части горелок.

2. Снова установите держатели/решётки для кастрюль на место.

3. Осторожно наденьте ручки переключателей.

4. На этом этапе обязательно проверьте стабильность пламени горелок. См. главу «Стабильность пламени».

5. Проверьте правильность функционирования прибора.

---

# Проверка герметичности и функционирования

## Опасность взрыва!!

Избегайте искр. Не применяйте открытый огонь.  
Выполняйте проверку герметичности только с помощью подходящего аэрозоля.

### Действия в случае утечки газа

Закройте подачу газа.  
Тщательно проветрите помещение, в котором произошла утечка газа.  
Ещё раз проверьте места подсоединения газопровода и сопел.  
Ещё раз проверьте герметичность.

Проверка герметичности должна выполняться двумя людьми в соответствии со следующими указаниями.

### Проверка подключения газа

1. Откройте подачу газа.
2. Нанесите на подключение газа аэрозоль для обнаружения утечки газа.

Если образовались маленькие пузырьки или пена, говорящие об утечке газа, следуйте указаниям, данным в разделе «Действия в случае утечки газа».

### Проверка сопел горелок

1. Откройте подачу газа.  
Проверьте герметичность каждого сопла.
2. Осторожно закройте отверстие проверяемой сопла горелки пальцем или подходящим приспособлением.
3. Нанесите на сопло аэрозоль для обнаружения утечки газа.
4. Нажмите переключатель выбора функций и поверните его против часовой стрелки. К соплу будет подан газ.

Если образовались маленькие пузырьки или пена, говорящие об утечке газа, следуйте указаниям, данным в разделе «Действия в случае утечки газа».

### Проверка регулировочных винтов

1. Откройте подачу газа.  
По очереди проверьте герметичность каждого регулировочного винта.
2. Осторожно закройте отверстие проверяемого сопла горелки пальцем или подходящим приспособлением.
3. Нанесите на сопло проверяемой горелки аэрозоль для обнаружения утечки газа.
4. Нажмите на ручку регулятора и поверните против часовой стрелки. К соплу будет подан газ.

Если образовались маленькие пузырьки или пена, говорящие об утечке газа, следуйте указаниям, данным в разделе «Действия в случае утечки газа».

---

# Правильное образование пламени

## Газовая горелка

После изменения вида газа следует проверить стабильность пламени и образование сажи для каждой горелки.

В случае возникновения ошибки следует сравнить параметры форсунок со значениями в таблице.

1. Зажгите газовые горелки, как описано в руководстве по эксплуатации.
2. Поверните ручку переключателя на малое пламя.  
Проверьте, включена ли система защиты от пламени, удерживая пламя в положении «Малое пламя» в течение 1 минуты.
3. Проверьте стабильность пламени в положениях «Малое пламя» и «Большое пламя». Пламя должно быть ровным и стабильным.
4. Быстро поверните ручку переключателя из положения «Большое пламя» в положение «Малое пламя». Повторите этот процесс несколько раз. Пламя не должно колыхаться и пропадать.



## Технические характеристики - газ

Ниже перечислены различные виды газа с указанием нормативных значений.

### Параметры форсунок для экономичной горелки

	<b>G20</b>	<b>G25</b>	<b>G30</b>
Давление газа (мбар)	20	25	29
Форсунка (мм)	0,72	0,72	0,50
Байпасный жиклёр (мм)	0,3	0,3	0,3
Макс. входная мощность (кВт)	1	1	1
Мин. входная мощность (кВт)	≤ 0,33	≤ 0,33	≤ 0,33
Расход газа при 15 °С и 1013 мбар м³/ч	0,095	0,111	-
Расход газа при 15 °С и 1013 мбар г/ч	-	-	73

### Параметры форсунок для нормальной горелки

	<b>G20</b>	<b>G25</b>	<b>G30</b>
Давление газа (мбар)	20	25	29
Форсунка (мм)	1,00	0,98	0,67
Байпасный жиклёр (мм)	0,32	0,32	0,32
Макс. входная мощность (кВт)	1,75	1,75	1,75
Мин. входная мощность (кВт)	≤ 0,35	≤ 0,35	≤ 0,9
Расход газа при 15 °С и 1013 мбар м³/ч	0,167	0,194	-
Расход газа при 15 °С и 1013 мбар г/ч	-	-	127

### Параметры форсунок для большой газовой горелки (опция)

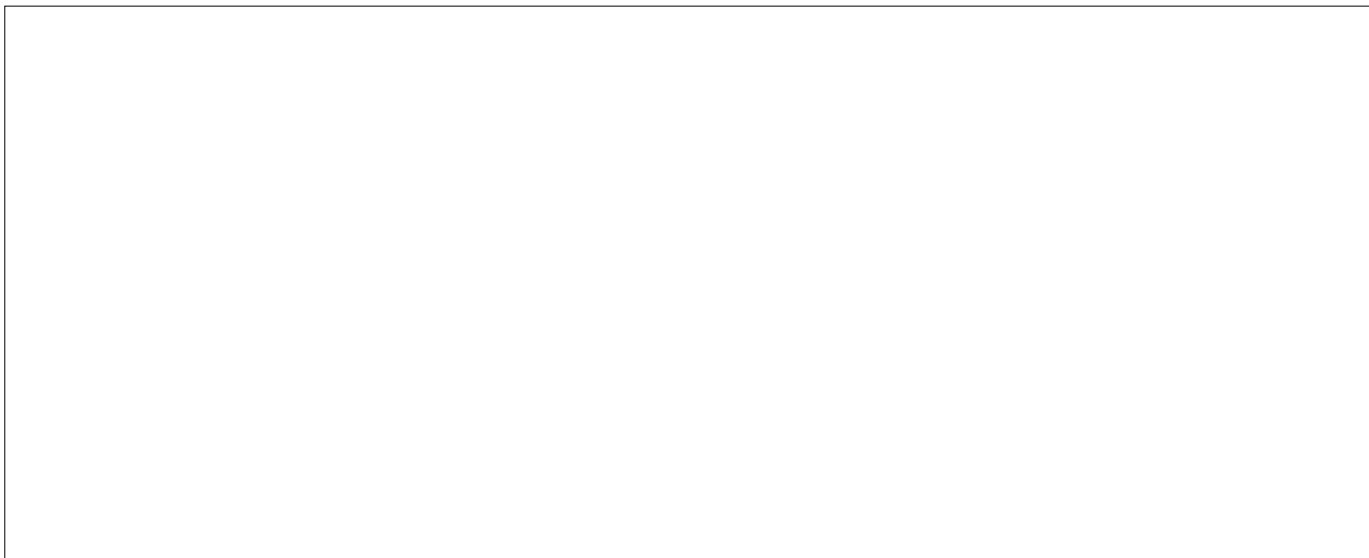
	<b>G20</b>	<b>G25</b>	<b>G30</b>
Давление газа (мбар)	20	25	29
Форсунка (мм)	1,15	1,28	0,85
Байпасный жиклёр (мм)	0,39	0,39	0,39
Макс. входная мощность (кВт)	3	3	3
Мин. входная мощность (кВт)	≤ 0,50	≤ 0,50	≤ 1,3
Расход газа при 15 °С и 1013 мбар м³/ч	0,286	0,333	-
Расход газа при 15 °С и 1013 мбар г/ч	-	-	218

### Параметры форсунок для горелки Mini-Wok (опция)

	<b>G20</b>	<b>G25</b>	<b>G30</b>
Давление газа (мбар)	20	-	29
Форсунка (мм)	1,03	-	0,68
Байпасный жиклёр (мм)	0,61	-	0,61
Макс. входная мощность (кВт)	3,5	-	3,3
Мин. входная мощность (кВт)	≤ 1,55	-	≤ 1,55
Расход газа при 15 °С и 1013 мбар м³/ч	0,314	-	-
Расход газа при 15 °С и 1013 мбар г/ч	-	-	240







9001059916