



Register your new Bosch now:
www.bosch-home.com/welcome



Gas hob
Газ плитасының әзірлеу беті
Газовая варочная панель
PBY6C.....

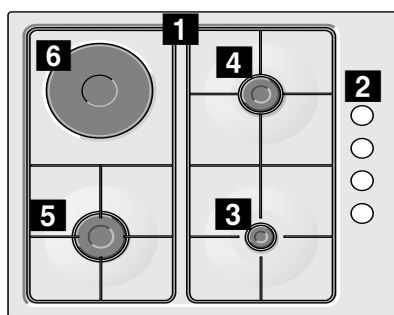


BOSCH

[en] Instruction manual
[kk] Пайдалану нұсқаулығы

[ru] Правила пользования

PBY6C.....



- 1** Pan supports
- 2** Control knobs
- 3** Auxiliary burner (up to 1 kW)

- 4** Semi-rapid burner (up to 1.75 kW)
- 5** Rapid burner (up to 3 kW)
- 6** Electric hotplate 1000 W

- 1** Top
- 2** Реттеу тетігі
- 3** Тиімді жанарғы 1 кВт дейін

- 4** Стандартты жанарғы 1,75 кВт дейін
- 5** Жылдам жанарғы 3 кВт дейін
- 6** Электр плита 1000 Вт

- 1** Решетки
- 2** Ручки управления
- 3** Экономичная газовая горелка до 1 кВт

- 4** Стандартная газовая горелка до 1,75 кВт
- 5** Большая горелка до 3 кВт
- 6** Электрическая конфорка 1000 Вт

Table of contents

Safety precautions	3	Cleaning and maintenance	10
Causes of damage	5	Cleaning	10
Your new appliance	6	Maintenance	11
Rotary knob for the electric hotplate.....	6	Trouble shooting	11
Rotary knob for the gas burner.....	6	After-sales service	12
Pan rest for the economy burner (option):.....	6	E number and FD number.....	12
Before first use	7	Packaging and equipment used	12
Before using for the first time	7	Environmentally-friendly disposal.....	12
Cleaning the accessories	7	Energy-saving tips.....	12
Advance cleaning of burner cup and cap	7	Measures to be noted during transport	12
Setting the hob	7		
Igniting the gas burners.....	7		
Setting the electric hotplate	8		
Cookware and cooking recommendations	8		
Suitable pans.....	8		
Precautions for use	9		
Table - Cooking.....	9		

Additional information on products, accessories, replacement parts and services can be found at www.bosch-home.com and in the online shop www.bosch-eshop.com

Safety precautions

Please read this manual carefully. Please keep the instruction and installation manual as well as the appliance certificate in a safe place for later use or for subsequent owners.

The manufacturer is exempt from all responsibility if the requirements of this manual are not complied with.

This appliance is class 3 type, according to the EN 30-1-1 regulation for gas appliances: built-in appliance.

Appliance's type of approval: HIGVS6RQM0

The graphics in this instruction manual are given as a guide only.

Do not remove the appliance from its protective packaging until it is installed in the unit.

Check the appliance for damage after unpacking it. Do not connect the appliance if it has been damaged in transport.

Caution: The use of a gas cooking appliance results in the production of heat, moisture and products of combustion in the room in which it is installed. Ensure that the kitchen is well ventilated especially when the appliance is in use: keep natural ventilation holes open or install a mechanical ventilation device (mechanical extractor hood).

Prolonged intensive use of the appliance may call for additional ventilation, for example opening of a window, or more effective ventilation, for example increasing the level of mechanical ventilation where present.

This appliance can only be installed in a well-ventilated place in accordance with existing regulations and ventilation specifications. The appliance must not be connected to a combustion product removal device.

The place in which the appliance is installed must have fully-functioning ventilation, in accordance with the regulations.

This appliance must be installed according to the installation instructions included.

Only allow a licensed professional to connect the appliance and to convert the appliance to a different type of gas. The appliance must be installed (electric and gas connections) in accordance with the instruction and installation manual. An incorrect connection or incorrect settings may lead to serious accidents and damage to the appliance. The appliance manufacturer accepts no liability for damage of this kind. The appliance's warranty becomes void.

This appliance has been designed for home use only, not for commercial or professional use. This appliance cannot be installed on yachts or in caravans. The warranty will only be valid if the appliance is used for the purpose for which it was designed.

This appliance is intended for domestic use and the household environment only. This appliance must only be used to prepare food and drinks and must never be used as a heater. Do not leave the appliance

unattended during operation. Only use the appliance indoors.

This appliance is intended for use up to a maximum height of 2000 metres above sea level.

This appliance is not intended for operation with an external clock timer or a remote control.

Never leave the appliance unattended during operation.

This appliance may be used by children 8 years old and older and by persons with reduced physical, sensory or mental capacity or a lack of experience or knowledge if they are supervised or they have been instructed about the safe use of the appliance and have understood the associated dangers.

Never let children play with the appliance. Cleaning and user maintenance must not be carried out by unsupervised children.

Risk of poisoning!

The kitchen will become hot and humid and combustion products produced when this gas appliance is used. Make sure the kitchen is well ventilated, particularly when the hob is in operation: either keep the natural ventilation apertures open, or install a ventilation system (extractor hood). Intense prolonged use of the appliance may require additional or more effective ventilation: open a window or increase the power of the ventilation system.

Risk of deflagration!

- Accumulation of unburned gas in an enclosed area carries a risk of deflagration. Do not subject the appliance to draughts. These might blow out the burners. Carefully read the instructions and warnings on the operation of gas burners.
- Hot oil and fat can ignite very quickly. Never leave hot fat or oil unattended. Never use water to put out burning oil or fat. Switch off the hotplate. Extinguish flames carefully using a lid, fire blanket or something similar.
- When gas hotplates are in operation without any cookware placed on them, they can build up a lot of heat. The appliance and the extractor hood above it may become damaged or be set on fire. Grease residue in the filter of the extractor hood may ignite.

Only operate the gas burners with cookware on them.

- The hotplates become very hot. Never place combustible items on the hob. Never place objects on the hob.
- The appliance becomes very hot, and flammable materials can easily catch fire. Do not store or use any flammable objects (e.g. aerosol cans, cleaning agents) under or in the vicinity of the oven. Do not store any flammable objects inside or on top of the oven.
- The rear of the appliance becomes very hot. This may cause damage to the power cables. Electricity and gas lines must not come into contact with the rear of the appliance.

Risk of burns!

- The hotplates and surrounding area (particularly the hob surround, if fitted) become very hot. Never touch the hot surfaces. Keep children at a safe distance.
- During operation, the surfaces of the appliance become hot. Do not touch the surfaces when they are hot. Keep children away from the appliance.
- The alcoholic vapours may catch fire on the hot cooking surface. Never prepare food containing large quantities of drinks with a high alcohol content. Only use low percentage alcohol.
- Empty cookware becomes extremely hot when set on a gas hotplate that is in operation. Never heat up empty cookware.
- Metal objects on the hob quickly become very hot. Never place metal objects (such as knives, forks, spoons and lids) on the hob.
- If the liquefied gas bottle is not upright, liquefied propane/butane can enter the appliance. Intense darting flames may therefore escape from the burners. Components may become damaged and start to leak over time so that gas escapes uncontrollably. Both can cause burns. Always use liquefied gas bottles in an upright position.
- The hotplate heats up but the display does not work. Switch off the circuit breaker in the fuse box. Contact the after-sales service.
- The appliance becomes hot during operation. Allow the appliance to cool down before cleaning.

Risk of injury!

- Incorrect repairs are dangerous. Repairs may only be carried out, and damaged power and gas lines replaced, by an after-sales engineer trained by us. If the appliance is faulty, unplug the mains plug or switch off the fuse in the fuse box. Shut off the gas supply. Contact the after-sales service.
- Saucepans may suddenly jump due to liquid between the pan base and the hotplate. Always keep the hotplate and saucepan bases dry.
- Faults or damage to the appliance are dangerous. Never switch on a faulty appliance. Unplug the appliance from the mains or switch off the circuit breaker in the fuse box. Shut off the gas supply. Contact the after-sales service.
- Unsuitable pan sizes, damaged or incorrectly positioned pans can cause serious injury. Observe the instructions which accompany the cookware.
- Do not tamper with the appliance's interior. If necessary, call our Technical Assistance Service.

Risk of electric shock!

- Incorrect repairs are dangerous. Repairs may only be carried out by one of our trained after-sales engineers. If the appliance is faulty, unplug the mains plug or switch off the fuse in the fuse box. Contact the after-sales service.
- The cable insulation on electrical appliances may melt when touching hot parts of the appliance. Never bring electrical appliance cables into contact with hot parts of the appliance.
- Do not use any high-pressure cleaners or steam cleaners, which can result in an electric shock.
- A defective appliance may cause electric shock. Never switch on a defective appliance. Unplug the appliance from the mains or switch off the circuit breaker in the fuse box. Contact the after-sales service.

Do not subject the appliance to draughts. These might blow out the burners.

If one of the control knobs will not turn, do not force it. Call the Technical Assistance Service immediately, so that they can repair or replace it.

Do not use inappropriate child safety shields or hob guards. These can cause accidents.

Causes of damage

Hob

Caution!

Only use the burners when cookware has been placed on top. Do not heat up empty pots or pans. The saucepan base will be damaged.

Caution!

Only use pots and pans with an even base.

Caution!

Place the pot or pan centrally over the burner. This will optimise transfer of the heat from the burner flame to the pot or pan base. The handle does not become damaged, and greater energy savings are guaranteed.

Caution!

Ensure that the hob gas burners are clean and dry at all times. The burner cup and burner cap must be positioned exactly.

* **Option:** Only valid for some models.

Caution!

Ensure that the top cover is not closed when the oven is started up.

Caution!

If you are using the appliance with a gas cylinder, the cylinder must be stood upright. Using the gas cylinder horizontally can damage your appliance's interior components and cause a gas leak.

Caution!

Ensure that the hotplate/burner is never switched on when the hob cover is on, e.g. by children playing.

Caution!

Keep the hotplate dry. Salt water or wet saucepan bases will damage the hotplate.

Caution!

Never operate the hotplate without a pot on it. Never use pots with an uneven base. Not enough heat will be drawn from the hotplate. It may glow red.

Caution!

The area around the appliance must be clean and dry.

Always keep the appliance and the area around it clean and dry after cleaning.

Make sure that there are no cleaning materials, cleaning products or water marks on any of the appliance's surfaces.

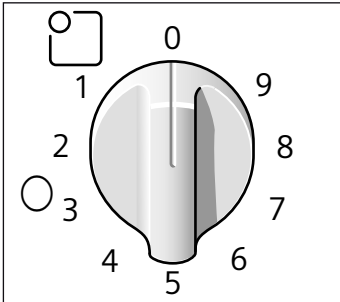
Your new appliance

Page 2 shows an overall view of your new appliance as well as the burner power.

Rotary knob for the electric hotplate

You can use the rotary knob to set the heat setting of the electric hotplate.

When you switch on the electric hotplate, the warning lamp lights up.

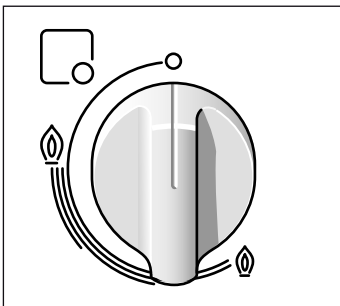


Settings	Electric hotplate/function
0 Zero position	Cooker switched off.
1-9 Heat settings	1 = lowest setting 9 = highest setting

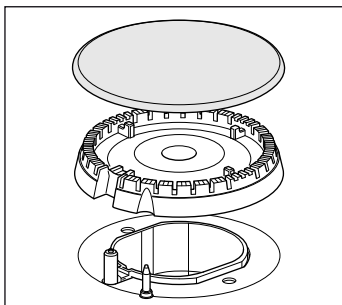
The electric hotplate rotary knob can be rotated to the right or to the left.

Rotary knob for the gas burner

There are indications to show which burner each control knob operates.






It is essential to ensure that all the burner parts and pan supports are correctly installed for the appliance to work correctly. Do not swap the burner caps around.



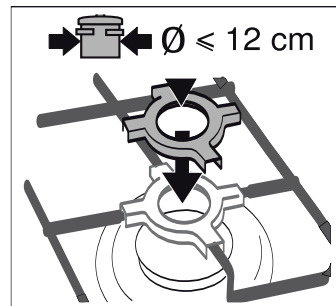
Power levels

The progressive control knobs can be used to control the power needed, from minimum to maximum power.

Setting		Control knob off
High flame		Maximum capacity or aperture and electricity on
Low flame		Minimum capacity or aperture

Pan rest for the economy burner (option):

Use the pan rest supplied with the appliance when you use the economy burner to prepare dishes using small saucepans with a diameter of less than 12 cm or Turkish coffee using a small espresso jug.



Place the pan rest on the economy burner's steel grid.

Do not use the pan rest for saucepans with a diameter of more than 12 cm.

The pan rest must only be used on the economy burner.

Before first use

The things you should note before first use are detailed below. First read the Safety Precautions section .

Before using for the first time

To eliminate the new-appliance smell, leave the electric hotplate switched on in position 4 without cookware for 15 minutes. During initial operation, smoke and odours may be released but these will disappear over time.

⚠ Risk of harm to health!

When heating up the hotplate for the first time, vapour is released which may lead to irritation of the mucous membranes. During this process, ensure that the kitchen is well ventilated. Keep children, pets and particularly vulnerable people away from the room.

Caution!

Do not operate the hotplates without placing pans on top, except during this initial heating phase.

Cleaning the accessories

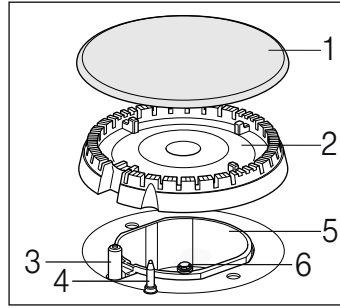
Before you use the accessories for the first time, clean them thoroughly with hot soapy water and a soft dish cloth.

Advance cleaning of burner cup and cap

Clean the burner cap (1) and burner cup (2) with water and washing-up liquid. Dry the individual parts carefully.

Place the burner cup and cap back on the burner shell (5). Ensure that the igniter (3) and flame safety pin (4) are not damaged.

The nozzle (6) must be dry and clean. Always position the burner cap exactly over the burner cup.

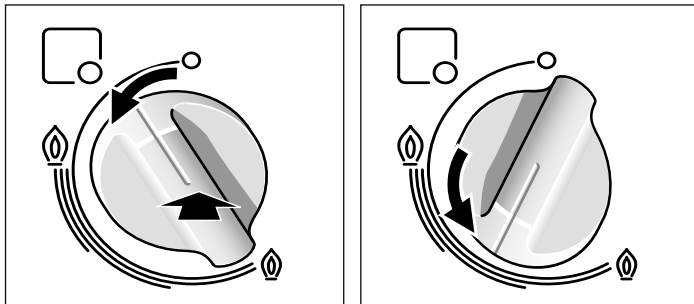


Setting the hob

Your hob is equipped with three gas burners and one hotplate. The following information explains how to light the gas burners and set the hotplate.

Igniting the gas burners

Ensure that the burner lid always sits on the burner cup correctly. The slots on the burner cup must not be blocked. All parts must be dry.



1. Press the burner knob of the selected burner in and turn it anti-clockwise to the highest power level. When the burner knob is pressed, the ignition process starts.
2. Press and hold the burner knob for 3-5 seconds. Gas begins to flow out and the gas burner ignites.
The safety pilot is activated. If the gas flame goes out, the gas supply is automatically cut off by the safety pilot.
3. Set the required flame height. The flame is not stable between the Off position and the highest power level. For this reason, you should always select a setting between the highest and lowest power level.
4. If the flame goes out again, repeat the process from step 1.

5. To finish cooking, turn the burner knob clockwise to the Off position.

The burner knob should not be pressed in the ignition position for longer than 15 seconds. If the burner does not ignite within 15 seconds, wait at least one minute. Then repeat the ignition process.

⚠ Caution!

If, after switching the gas hob off, you turn the burner knob while the gas hob is still hot, gas will escape. If you do not press the burner knob, the gas is not ignited and the gas supply is interrupted within 90 seconds.

No ignition occurs

If there is a power cut or if the ignition plugs are damp, you can light the gas burners with a gas lighter or a match.

Warnings

It is normal to hear a soft whistling noise while the burner is operating.

When first used, it is normal for the burner to give off odours. This does not pose any risk and does not indicate a malfunction. They will disappear in time.

An orange-coloured flame is normal. This is caused by the presence of dust in the atmosphere, spilt liquids, etc.

If the burner flames are accidentally blown out, switch off the burner operating control knob and do not try to relight it for at least 1 minute.

A few seconds after the burner is switched off, a sound (thud) will be produced. This is not a fault - this means that the safety device is no longer operating.

Keep the burner as clean as possible. If the ignition sparkers are dirty they will not light properly. Clean them periodically using a small non-wire brush. Bear in mind that the ignition sparkers must not suffer any serious impacts.

Setting the electric hotplate

You can set the heat setting using the rotary knob for the required electric hotplate.

Proceed as follows:

1. Turn the rotary knob for the electric hotplate anti-clockwise to set a suitable heat setting between 1 and 9.
2. The hotplate is 145 mm in diameter. You can now begin preparing your food. Only use pans with a flat base. The diameter of the pot or pan base should be the same as that of the hotplate.
3. When the dish has finished cooking, switch the hotplate off (heat setting 0).

Heat setting 1 = Lowest setting

Heat setting 9 = Highest setting

The indicator lights up when the hotplate is switched on.

Note: It is recommended to start cooking on full power and then to use intermediate power levels after a few minutes.

Residual heat

The electric hob can be switched off slightly before the end of the cooking time. The residual heat will enable you to continue cooking for several minutes, thus saving energy.

Important information about your electric hotplate

Before first use, heat the electric hotplate on the highest setting for 3 minutes. This causes the heat-resistant material on the electric hotplate to burn and harden.

If the diameter of the pot or pan base is not the same as that of the hotplate or if the pan base is not flat, energy will be used unnecessarily. Any overflowing liquid will burn on and leave stains that are difficult to remove.

Make sure that the pot or pan base is dry.

The electric hotplate must not be switched on if there is no pan on it. Otherwise the surface of the electric hotplate may discolour.

Due to the effects of heat, the metallic hotplate ring will discolour over time. You can remove this discolouration by cleaning the hotplate ring using the rough side of a sponge and a cleaning agent. When cleaning, make sure that the sponge does not come into contact with the hotplate.

Wipe the surface of the electric hotplate with a damp cloth after use. You can also use some washing-up liquid. Stubborn dirt or burnt-on food residue must not be scratched off using a knife or other sharp object.

Residual heat will still be present when the hotplate is switched off. Keep children away from the appliance.

Make sure that the rotary knob for the hotplate is switched off following a power cut.

Rub the electric hotplate with machine oil from time to time so that it shines like it did on the first day.

The electric hotplate can be turned off shortly before the dish is cooked so that residual heat can be used to finish cooking it.

Cookware and cooking recommendations

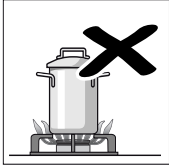
Suitable pans

Burner	Minimum diameter of the cookware base	Maximum diameter of the cookware base
High-output burner	22 cm	26 cm
Standard-output burner	14 cm	20 cm
Economy burner	12 cm	16 cm
Electric hotplate	14.5 cm	14.5 cm

The cookware must not overhang the edge of the hob.

Precautions for use

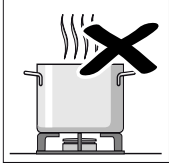
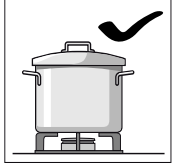
The following advice is intended to help you save energy and prevent pan damage:



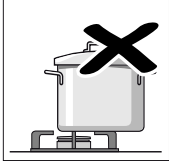
Use pans which are the right size for each burner.
Do not use small pans on large burners. The flame must not touch the sides of the pan.



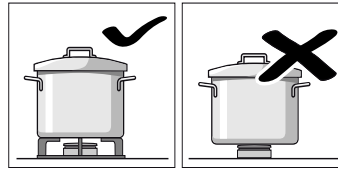
Do not use damaged pans, which do not sit evenly on the hob. Pans may tip over.
Only use pans with a thick, flat base.



Do not cook without using a lid and make sure the lid is properly fitted. This wastes energy.

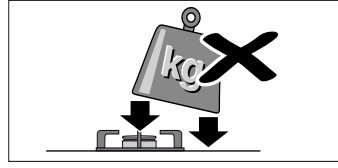


Always place the ovenware centrally over the burner. Otherwise, there is a risk that it may tip over.



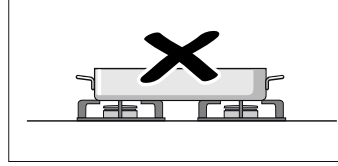
Place the pans on the pan supports, never directly on the burner.

Make sure that the pan supports and burner caps are correctly positioned before using the appliance.



Pans should be placed on the hob carefully.

Do not strike the hob and do not place excessive weight on it.



Never use two burners or heat sources to heat one single pan.

Do not use grill pans, earthenware casserole dishes, etc. for a long period of time on maximum power.

Table - Cooking

Select the right saucepan size for each burner. The diameter of the saucepan or pan base should be the same as that of the burner.

Cooking times may vary depending on the type of food, its weight and quality. You yourself can best judge the optimal cooking time.

Use as little water as possible when cooking, so that the food retains its vitamins and minerals. Select short cooking times so that the vegetables remain firm and full of nutrients.

Example	Food	Cooking position	Heat setting
Melting	Chocolate, butter, margarine	Economy burner	small flame
		Electric hotplate**	1-2
Warming	Stock, tinned vegetables	Standard burner	small flame
		Electric hotplate**	2-3-4-5
Heating and keeping warm	Soups	Economy burner	small flame
		Electric hotplate**	2-3
Steaming*	Fish	Standard burner	between large and small flame
		Electric hotplate**	5
Braising*	Potatoes and miscellaneous vegetables, meat	Standard burner	between large and small flame
		Electric hotplate**	6-7-8
Boiling*	Rice, vegetables, meat dishes (with sauces)	Standard burner	large flame
		Electric hotplate**	7-8
Frying	Pancakes, potatoes, schnitzel, fish fingers	Large burner	between large and small flame
		Wok burner	between large and small flame
		Electric hotplate**	9

* If you are using a saucepan with a lid, turn the flame down as soon as it reaches boiling point.

** Optional. Available for some appliances, depending on the appliance model (for frying on the wok burner, we recommend that you use a wok).

Cleaning and maintenance

For the cooking area to have optimum power and a long service life, thorough cleaning and maintenance are essential.

As a safety precaution, turn the gas off at the gas cylinder controller. (If the cooker is set up to use natural gas, close the natural gas tap).

Unplug the appliance from the mains.

If the burner is still hot, let it cool down first.

Caution!

- Do not use any high-pressure cleaners or steam jets.
- When cleaning the cooker, do not use any flammable substances such as acids, diluting agents, petrol or benzene.
- Under no circumstance should abrasive cleaning products or materials be used, which may cause scratches.


Cleaning

Damage to the various different surfaces caused by using the wrong cleaning agent can be avoided by observing the following instructions.

When cleaning the hob do not use

- undiluted washing-up liquid or dishwasher detergent,
- cleaning agent with a high alcohol content,
- scouring pads,
- abrasive cleaning agents such as oven cleaner or stain remover,
- Do not use caustic or abrasive cleaning agents.
- Do not clean individual parts in the dishwasher.

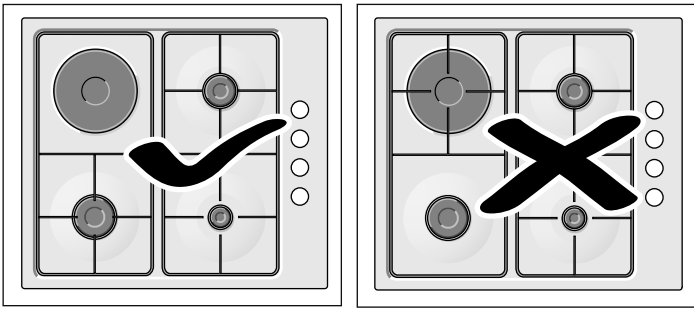
Wash new sponges thoroughly before first use.

Stainless steel surfaces* (depending on the appliance model)	Clean it with stainless-steel cleaning agent and a soft cloth. Always wipe stainless steel surfaces parallel to the natural grain. Otherwise, you may scratch the surface. Dry with a soft cloth. Always remove any flecks of limescale, grease, starch and egg white immediately. Harsh cleaning products, scratchy sponges and rough cleaning cloths are not suitable. You can use special care products to polish the stainless steel fronts. Follow the manufacturer's instructions. Special stainless-steel cleaning agents are available from the after-sales service or from specialist retailers.
Enamelled, painted and silkscreen surfaces* (depending on the appliance model)	Wipe with warm soapy water and a cloth. Dry with a soft cloth.
Gas burner and steel grid	Do not clean in the dishwasher. Remove the steel grid and clean this using a sponge, some hot water and washing-up liquid. Remove the burner casing and burner cap. Use a sponge with some hot water and washing-up liquid to clean these. Ensure that the gas openings on the burner casing are clean and free from dirt particles. Clean the igniter with a small, soft brush. The gas burners only work properly when the igniters are clean. Use a cloth and some hot soapy water to remove the food remains from the burner casing. Only use a little water for this. Water must not get into the interior of the appliance. Ensure that the jet opening is not blocked or damaged during the cleaning process. Dry all of the parts after they are cleaned, and place the burner caps exactly onto the burner casings. Individual parts that are not correctly positioned make it difficult for the burner to ignite. Place the steel grid back into its position. The cleaning agent that we recommend for cleaning the steel grid is available from our after-sales service or specialist retailers.
Glass hob* (depending on the appliance model)	Care: Protective/care products for glass Cleaning: Cleaning agents for glass. Follow the cleaning instructions on the packaging.  Glass scraper for heavy soiling: Remove the protective cover and clean using the blade only. Caution, the blade is very sharp. Risk of injury. Cover the blade again after cleaning. Replace damaged blades immediately.
Electric hotplate* (depending on the appliance model)	Clean with the hard side of a scouring sponge and some liquid scouring agent. After cleaning, switch the hob on briefly to dry it. Wet hobs rust over time. Then apply a care product. Always remove spilt liquids and food residue immediately.
Metal hotplate ring* (depending on the appliance model)	The metal ring may discolour with time. However, the original colour can be restored. Clean the ring with the hard side of a scouring sponge and some liquid scouring agent. Do not touch the adjacent surfaces. These may become damaged. The recommended cleaning agent for the metal ring on the electric hotplate is available from our after-sales service or specialist retailers
Rotary knobs	Wipe with warm soapy water and a cloth. Dry with a soft cloth.
Accessories	Soak in warm soapy water. Use a non-metal brush or a sponge to clean it.
Upper glass cover* (depending on the appliance model)	Glass cleaner: Clean with a soft cloth. You can remove the upper glass cover for cleaning. To find out how to do this, please refer to the section Upper glass cover.

* Optional (available for some appliances, depending on the appliance model)

If the pan supports are fitted with rubber rests, ensure that these are also cleaned. The rests may come loose and the pan support may scratch the hob.

After cleaning and drying the steel grids, ensure that they are correctly fitted.



Maintenance

Always clean off any liquid as soon as it is spilt. This will prevent food remains from sticking to the hob surface and you will save yourself any unnecessary effort.

After each use, clean the surface of the respective burner parts once they have cooled down. If any residue is left (baked-on food, drops of grease etc.), however little, it will become stuck to the surface and more difficult to remove later. The holes and grooves must be clean for the flame to ignite properly.

The movement of some pans may leave metal residue on the pan supports.

Clean the burners and pan supports using soapy water and scrub with a non-wire brush.

Do not clean individual parts of the appliance in the dishwasher.

Always dry the burners and pan supports completely. Water droplets or damp patches on the hob at the start of cooking may damage the enamel.

Caution!

The stainless steel cleaner must not be used in the area around the controls. The (printed) symbols may be wiped off.

Thoroughly remove spilt cooking oil and acidic foodstuffs such as lemon immediately.

Under no circumstance should abrasive cleaning powder be used to clean the control panel. The inscriptions can be scratched off as a result.

The burner caps are coated with black enamel. Due to the high temperatures, discolouration may occur. Their burner function is not adversely affected by this.

Trouble shooting

Sometimes certain faults detected can be easily resolved. Before calling the Technical Assistance Service, bear in mind the following advice:

Fault	Possible cause	Solution
The general electrical system is malfunctioning.	Defective fuse.	Check the fuse in the main fuse box and change it if it is damaged.
	The automatic safety switch or circuit breaker has tripped.	Check the main control panel to see if the automatic safety switch or circuit breaker has tripped.
The automatic switching on function does not work.	There may be food or cleaning products stuck between the ignition sparkers and the burners.	The space between the ignition sparker and the burner must be clean.
	The burners are wet.	Dry the burner caps carefully.
	The burner caps are not correctly positioned.	Check that the burner caps are correctly positioned.
	The appliance is not earthed, is poorly connected or the earthing is faulty.	Contact the installation technician.
The burner flame is not uniform.	The burner components are not correctly positioned.	Correctly place the parts on the appropriate burner.
	The grooves on the burner are dirty.	Clean the grooves on the burner.
The gas flow is not normal or there is no gas.	The gas supply is blocked by gas taps.	Open all gas taps.
	If the gas is supplied from a gas cylinder, check that it is not empty.	Change the gas cylinder.
The kitchen smells of gas.	A gas tap has been left on.	Turn off the taps.
	Incorrect coupling of gas cylinder.	Check that the coupling is sound.
	Possible gas leak.	Shut off the gas supply, ventilate the premises and immediately notify an authorised installation technician to check and certify the installation. Do not use the appliance until ensuring that there is no gas leak in the installation or appliance itself.
The burner immediately switches off after releasing the control knob.	The control knob was not held down for long enough.	Once the burner is on, hold the control knob down a few seconds longer.
	The grooves on the burner are dirty.	Clean the grooves on the burner.

After-sales service

Our after-sales service is there for you if your appliance needs to be repaired. We will always find the right solution in order to avoid unnecessary visits from a service technician.

E number and FD number

To help speed up the process, please have your product number (E no.) and production number (FD no.) ready when you contact after-sales service. The nameplate containing these numbers is found on the underside of your cooker. To save time in the event of a fault, you can make a note of the numbers for your appliance and the after-sales service telephone number in the space below.

E no.	FD no.

After-sales service

Note that, even within the guarantee period, you are responsible for service and repair costs in the case of improper use or misuse.

Please find the contact data of all countries in the enclosed customer service list.

To book an engineer visit and product advice

GB 0344 892 8979

Calls charged at local or mobile rate.

IE 01450 2655

0.03 € per minute at peak. Off peak 0.0088 € per minute.

Rely on the professionalism of the manufacturer. You can therefore be sure that the repair is carried out by trained service technicians who carry original spare parts for your appliances.


Warranty conditions

In the unlikely event that the appliance is damaged or does not meet your expectations in terms of quality, please inform us as soon as possible. For the warranty to be valid, the appliance must not have been tampered with, or used inappropriately.

The applicable warranty conditions are those set out by the company's representative office in the country of purchase. Detailed information is available from retail outlets. Proof of purchase must be presented to obtain the benefits of the warranty.

We reserve the right to introduce changes.

Packaging and equipment used

If your appliance has a crossed-out dustbin symbol , please note the following.

Environmentally-friendly disposal

Dispose of packaging in an environmentally-friendly manner.



This appliance is labelled in accordance with European Directive 2012/19/EU concerning used electrical and electronic appliances (waste electrical and electronic equipment - WEEE). The guideline determines the framework for the return and recycling of used appliances as applicable throughout the EU.

The packaging of your appliance has been manufactured using only the materials which are strictly necessary to guarantee efficient protection during transport. These materials are 100% recyclable, thus reducing the environmental impact. You can also contribute to caring for the environment by following the advice below:

- Dispose of the packaging in the appropriate recycling bin.
- Before you get rid of an old appliance, make sure you disable it. Contact your local authority to find out the address of your nearest recycling centre to dispose of your appliance.
- Do not pour used oil down the sink. Collect it in a sealed container and take it to an appropriate collection point or, failing that, place it in the rubbish bin (it will end up in a controlled dump; this is probably not the best option, but it will avoid contaminating ground water).

Energy-saving tips

- Always place suitable lids on saucepans. When cooking without a lid, considerably more energy is required. A glass lid means that you can see inside without having to lift the lid.
- Use pots and pans with even bases. Uneven bases increase energy consumption.
- The diameter of pot and pan bases should be the same size as the hotplate. In particular, small saucepans on the hotplate cause energy losses. Please note: cookware manufacturers

often indicate the upper diameter of the saucepan. This is usually bigger than the diameter of the base of the pan.

- Use a small saucepan for small quantities. A larger, less full saucepan requires a lot of energy.
- Cook with only a little water. This will save energy. Vitamins and minerals in vegetables are preserved.
- Always cover as large an area of the hotplate as possible with your saucepan.
- Switch to a lower heat setting in good time.
- Select a suitable ongoing cooking setting. You will waste energy by using an ongoing cooking setting which is too high.
- Use the residual heat of the hob. For longer cooking times, you can switch the hotplate off 5-10 minutes before the end of the cooking time.

Measures to be noted during transport

Secure all mobile parts on the appliance using an adhesive tape that can be removed without leaving any traces. Secure the top cover, if available, to the appliance sides using adhesive tape.

Keep the original appliance packaging. Only transport the appliance in the original packaging. Observe the transport arrows on the packaging.

If the original packaging is no longer available

pack the appliance in protective packaging to guarantee sufficient protection against any transport damage.

The appliance must be transported upright, with the hotplate and the burners facing upwards. Do not place any heavy objects on the appliance.

Мазмұны

Қауіпсіздік техникасы туралы нұсқаулар.....	13
Зақымдардың себептері.....	15
Сіздің жаңа құрылғыңыз.....	16
Электроплитаның бұрама қосқышы.....	16
Газ жанарғысының бұрама қосқышы.....	16
Тиімді жанарғы үшін крест тәрізді қаптама (таңдаулы):.....	16
Бірінші пайдаланудан алдын.....	17
Бірінші пайдаланудан алдын.....	17
Құралдарды тазалау.....	17
Жанарғы шынаяғымен мен қақпағын алдын ала тазалау.....	17
Әзірлеу бетін орнату.....	17
Газ жанарғысын жандыру.....	17
Электроплитаны осылай реттеу керек.....	18
Пісіру ыдыстары мен пісіру ұсыныстары.....	18
Қолайлы ыдыс.....	18
Пайдалану туралы нұсқаулар.....	18
Кесте - Пісіру.....	19

Тазалау және күтім көрсету.....	19
Тазалау.....	19
Күтім.....	20
Ақауларды жою.....	21
Сервистік қызмет.....	21
Е-нөмірі мен FD-нөмірі.....	21
Орама мен қолданған жабдықтар.....	22
Экологиялық тұрғыдан қауіпсіз жолмен утилизациялау.....	22
Қуатты үнемдеу туралы кеңестер.....	22
Тасымалдауда орындалатын шаралар.....	22

Өнім, керек-жарақтар, қосалқы бөлшектер және қызметтер туралы қосымша ақпаратты www.bosch-home.com сайтында және www.bosch-eshop.com интернет-дүкенінде табуға болады

⚠ Қауіпсіздік техникасы туралы нұсқаулар

Осы нұсқаулықты мұқият оқып шығыңыз. Пайдалану және монтаждау нұсқаулықтарын, сондай-ақ, құрылғы паспортын кейін пайдалану немесе жаңа иесі үшін сақтаңыз.

Осы нұсқаулық шарттары сақталмаса өндіруші жауапкерлікті мойындамайды.

Осы құрылғы DIN EN 30-1-1 бойынша газ құрылғылары: ішіне салынатын құрылғылар 3-сыныпына сай.

Құрылғының рұқсат етілген түрі:
HIGVS6RQMO

Осы пайдалану нұсқаулығындағы графикалар ұсыныс ретінде берілген.

Құрылғыны орнатудан алдын пленкасында сақтаңыз.

Аспапты орамадан ашудан соң тексеріңіз. Тасымалдаудағы зақым жағдайында қоспаңыз.

Назар аударыңыз: Құрылғыны пайдалану бөлмеде температураның және ылғалдылықтың, жану өнімдерінің артуына әкеледі. Құрылғыны пайдалану кезінде бөлменің жақсы желдетілуіне ерекше көңіл бөлу керек: желдету тесіктерін жаппаңыз немесе ауаны тазалауға арналған арнайы механикалық құралды (мысалы, аспалы түтін шығаратын құбыр) пайдаланыңыз.

Құрылғы қарқынды және ұзақ жұмыс істегенде қосымша желдету қажеттілігі пайда болуы мүмкін. Бұл жағдайда терезені ашуға немесе желдету құрылғысын жоғарырақ қуатқа қосуға болады.

Бұл құрылғыны тек жетерлік желдетілетін жерде және тек ауа алмасу үшін жүретін нұсқаулар мен ережелерге сәй ретте орнату мүмкін. Құрылғыны түтін шығатын мұржасына немесе газ шығу жүйесіне біріктірілуі мүмкін емес.

Құрылғы үшін орнату жайы ауа алмасу ережелеріне толық сәй болуы керек.

Құрылғыны орнату жинақтағы орнату нұсқаулығы бойынша болуы керек.

Құрылғыны қосуды және басқа газ түріне қайта реттеуді тек лицензиясы бар техник орындауы керек. Құрылғыны реттеу (электр желісіне және газ құбырына қосу) пайдалану және орнату нұсқаулықтарына сай орындалуы керек. Дұрыс емес қосу және дұрыс емес реттеулер ауыр жарақаттарға және зақымдарға әкелуі мүмкін. Құрылғы өндірушісі мұндай нұқсанға жауапты болмайды. Құрылғы кепілдігінің күші жойылады.

Бұл құрылғы тек үйде пайдалану үшін жасалған, коммерциялық немесе өндірістік пайдалануға рұқсат жоқ. Бұл құрылғыны яхта немесе фургонда пайдалану мүмкін емес. Кепілдік тек құрылғы өз мақсатында пайдаланылған жағдайда әсер етеді.

Бұл құрылғы тек жеке үйде пайдалануға арналған. Аспапты тек тағамдар мен ішімдіктерді әзірлеуге арналған, оны ешқашан қызыдыру аспабы ретінде пайдаланбаңыз. Пайдалану кезінде құрылғыны бақылаңыз. Аспапты тек ішкі бөлмеде пайдаланыңыз.

Бұл құрылғы теңіз деңгейінен максималды 2000 метрге дейін болған биіктікте пайдалануға арналған.

Бұл аспап сыртқы таймер немесе пультпен пайдалануға арналмаған.

Пайдалануда құрылғыны бақылаусыз қалдыру мүмкін емес.

Бұл құрылғыны жасы 8-дегі және одан үлкен балалардың, сонымен қатар қозғалу, сезу және ойлану мүмкіндіктері шектелген және/немесе жеткілікті білімі жоқ тұлғалардың пайдалануына тек оларды біреу қадағалаған жағдайда немесе осы құрылғыны қауіпсіз пайдалану нұсқауларымен таныс болса және дұрыс пайдаланбау салдарынан қандай қауіптердің орын алатынын түсінетін болса ғана пайдалануларына болады.

Балаларға осы құрылғымен ойнауға рұқсат етпеңіз. Балаларға ересектердің қадағалауынсыз тазалау және алдын алу қызметі үшін орындалатын әрекеттерді орындауға рұқсат етпеңіз.

Уланып қалу қауіптілігі!

Газдық пісіру құрылғысын пайдалану бөлмесінде жылы, ылғалдық және жану өнімдері пайда болады. Асхана дұрыс желдетілуін, бәрінен бұрын пісіру аймағы жұмыс істегенде қамтамасыз етіңіз: табиғи желдету тесіктерін бас ұстаңыз немесе механикалық желдеткішті (ауа сору құбырын) орнатыңыз. Құрылғыны ұзақ уақты пайдалану үшін қосымша тиімдірек желдеткішті талап етеді: терезені ашып ауа сору құбырының қуатын жоғарылатыңыз.

Тұтану қауіпі!

- Жанбаған газ жабық бөлмелерде жиылып тұтану қауіпі пайда болады. Құрылғыны желтетпеңіз. Жанарғылар өшіп қалуы мүмкін. Газ жанарғысының істеуі туралы ескерту нұсқауларын оқыңыз.
- Ыстық май жылдам оталады. Ыстық майды ешқашан бақылаусыз қалдырмаңыз. Алауды сумен ешқашан өшірмеңіз. Конфорканы өшіру. Алауларды абайлап қақпақпен, өшіру төсемімен немесе ұқсасыме өшіріңіз.
- Газ конфоркалары пісіру ыдысы салынбаған болса пайдалануда қатты қызады. Құрылғы мен жоғарысындағы ауа сору құбыры зақымдануы немесе жаып кетуі мүмкін. Ауа сору құбырындағы сүзгідегі май қалдықтары оталуы мүмкін. Газ конфоркаларын тек пісіру ыдысымен пайдаланыңыз.
- Конфоркалар өте ыстық болады. Жанатын заттарды ешқашан конфорка үстіне

қоймаңыз. Конфоркаға ешқандай зат қоймаңыз.

- Құрылғы өте ыстық болады, тұтанғыш заттар оңай жана бастауы мүмкін. Тұтанғыш заттарды (мысалы, аэрозоль баллондарын және тазалағыш заттар) духовка астында немесе духовка жанында сақтамаңыз және пайдаланбаңыз. Тұтанғыш заттарды духовкада немесе духовка үстінде сақтамаңыз.
- Құрылғының артқы тақтасы қатты қызады. Бұл тақалған құбырдың зақымдалуына әкелуі мүмкін. Электр сымдар және газ құбырлары құрылғының артқы тақтасына тимеуі керек.

Күйіп қалу қауіпі!

- Конфоркалар мен олардың қоршауы, әсіресе мүмкін қолжетімді пісіру өрісі рамасы, қызып кетеді. Ыстық аймақтарға тимеңіз. Балаларды жақындаспасын.
- Пайдалану кезінде құрылғының жоғарғы беттері ыстық болады. Жоғарғы беттерге тимеңіз. Балаларды құрылғыдан ары ұстаңыз.
- Алкогольді булар ыстық пісіру аймағында от алуы мүмкін. Ешқашан көп жоғары пайыздық алкогольі бар тамақтарды әзірлемеңіз. Тек кіші пайыздық алкогольді пайдаланыңыз.
- Бос пісіру ыдыстары істеп тұрған газ конфоркасында қызып кетеді. Бос пісіру ыдыстарын ешқашан қыздырмаңыз.
- Метал заттар пісіру аймағында жылдам қызады. Ешқашан метал заттарды, мысалы пышақ, шанышқы, қасықты пісіру аймағына қоймаңыз.
- Егер сұйық газ баллоны тік тұрмаса, сұйық пропан/бутан құрылғыға кіруі мүмкін. Онда жанарғыларда қатты алаулар шығуы мүмкін. Құрамдас бөлшектер зақымдалуы және уақытпен бітеулі болмауы мүмкін, онда газ бақылаусыз шығуы мүмкін. Екеуі де жануға алып келуі мүмкін. Сұйық газ баллондарын әрдайым тік күйде пайдаланыңыз.
- Конфорка ыстық, бірақ индикатор жұмыс істемейді. Сақтандырғыштар блогындағы сақтандырғышты өшіріңіз. Сервистік қызметке қоңырау шалыңыз.
- Құрылғы жұмыс істегенде ыстық болады. Тазалаудан алдын құрылғыны суытыңыз.

Жарақат алу қаупі!

- Тиісті болмаған жөндеулер қауіпті болып табылады. Тек біз арқылы оқытылған сервистік қызмет технигі жөндеулерді орындауы және зақымдалған тоқ сымдары мен газ құбырларын алмстыруы мүмкін. Егер құрылғы бұзылса, желі айырын тартыңыз немесе сақтандырғыш шкафта сақтандырғышты өшіріңіз, газ ағынын жабыңыз. Қызмет көрсету орталығына хабарлаңыз.
- Кәстрөлдер кәстрөлдің түбі мен конфорка арасындағы суға бола жоғары секіруі мүмкін. Конфорка мен кәстрөл түбі құрғақ болуын қадағалаңыз.
- Құрылғыда ақаулықтар мен зақымдар қауіпті. Ешқашан бұзылған құрылғыны қоспаңыз. Желілік айырды шығарыңыз немесе сақтандырғыш шкафында сақтандырғышты өшіріңіз. Газ ағымын жабу. Қызмет көрсету орталығына хабарлаңыз.
- Сәйкес емес қазан өлшемдері, зақымдалған немесе қате орналстырылған қазандар ауыр жарақаттарға алып келуі мүмкін. Пісіру ыдыстары үшін нұсқауларды ескеріңіз.
- Құрылғы ішінде ешқандай жұмыс орындамаңыз. Керек болса біздің сервистік қызметімізге хабарласыңыз.

Электр қуатына түсу қаупі!

- Тиісті болмаған жөндеулер қауіпті болып табылады. Тек біз арқылы оқытылған

сервистік қызмет технигі жөндеулерді орындау мүмкін. Егер құрылғы бұзылса, желі айырын тартыңыз немесесақтандырғыш шкафта сақтандырғышты өшіріңіз. Қызмет көрсету орталығына хабарлаңыз.

- Ыстық құрылғы бөлшектерінде кабель оқшаулауы электр құрылғыларда еруі мүмкін. Ешқашан электр құрылғылардың тоқ кабелін ыстық құрылғы бөлшектеріне тигізбеңіз.
- Ішіне кірген ылғалдық тоқ соғуына алып келуі мүмкін. Жоғары қысымдық тазартқышты немесе бу тазартқышты пайдаланбаңыз.
- Ақаулы құрылғы ток соғуына әкелуі мүмкін. Ақаулы құрылғыны ешқашан қоспаңыз. Ашаны розеткадан суырыңыз немесе сақтандырғыштар блогындағы сақтандырғышты өшіріңіз. Сервистік қызметке қоңырау шалыңыз.

Құрылғыны желтетпеңіз. Жанарғылар өшіп қалуы мүмкін.

Егер басқару жұдырықшасы бұралмаса күш салмаңыз. Басқару жұдырықшасын жөндету немесе алмастыру үшін сервистік қызметке хабарласыңыз.

Сәйкес болмаған қорғау аспаптарын немесе балалардан сақтау торларын пайдаланбаңыз. Олар сәтсіз оқиғаларға алып келуі мүмкін.

Зақымдардың себептері

Әзірлеу беті

Назар аударыңыз!

Конфоркаларды тек кәстрөлдер орнатылған күйде пайдаланыңыз. Бос кәстрөлдерді және табаларды қыздырмаңыз. Кәстрөлдің түбі зақымдалады.

Назар аударыңыз!

Тек жалпақ түбі бар кәстрөлдерді және табаларды пайдаланыңыз.

Назар аударыңыз!

Кәстрөлмен табаны жанарғы ортасына қойыңыз. Осылай жанарғы алауы ыстығы оптималды ретте кәстрөл немесе табаның астына тасымалданады. Тұтқы немесе құлағы зақымдалмай жоғарырақ энергияны сақтау деңгейіне жетіледі.

Назар аударыңыз!

Пісіру аймағындағы жанарғылар таза және құрғақ болуына көз жеткізіңіз. Жанарғы шынаяғымен жанарғы қақпағы жайында дұрыс жатуы керек.

** **Таңдаулы:** Тек бірнеше үлгілер үшін жүреді.

Назар аударыңыз!

Плитаны пайдалану кезінде жоғарғы қақпақ жабылмауын қадағалаңыз.

Назар аударыңыз!

Егер құрылғыны газ баллонымен пайдалансаңыз газ баллоны тік тұруы керек. Газ баллоны көлденең тұруы құрылғы ішкі бөліктерін зақымдап газ кемуіне себеп болуы керек.

Назар аударыңыз!

Қосылған электр конфорканыңқақпағы жабылмаған болуын, мысалы, ойнап жүргенбалалар жаппауын, қадағалаңыз.

Назар аударыңыз!

Электр конфорканы құрғақ ұстаңыз. Тұзды сунемесе құрғақ түп кәстрөлдерді зақымдауы мүмкін.

Назар аударыңыз!

Электр конфорканы кәстрөлсіз пайдаланбаңыз. Түбі тегіс емес кәстрөлдерді пайдаланбаңыз. Электр конфоркадан жеткілікті жылуды алу мүмкін болмайды. Ол қызыл болғанша қызуы мүмкін.

Назар аударыңыз!

Құрылғының қоршауы құрғақ және таза болуы тиіс.

Құрылғы мен қоршауын әр тазалағаннан соң құрғақ және таза сақтау тиіс.

Құрылғының барлық беттерінде ешқандай тазалау материалы, тазалау құралы және су қалдықтары болмауына көз жеткізіңіз.

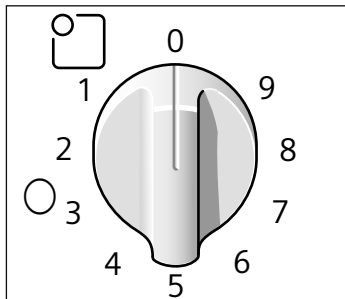
Сіздің жаңа құрылғыңыз.

2-бетте құрылғы және жанарғылар қуаты туралы ақпараттар шолуын табасыз.

Электрплитаның бұрама қосқышы

Электрплитаның бұрама қосқышы арқылы қуатын реттеу мүмкін.

Электрплитаны қосу кезінде ескерту шамы жанады.

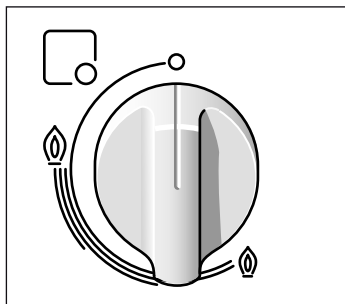


Күйлер	Электрплита/функция
0 Нөл күйі	Плита өшірілген.
1-9 Пісіру басқыштары	1 = ең төмен басқыш 9 = ең жоғары басқыш

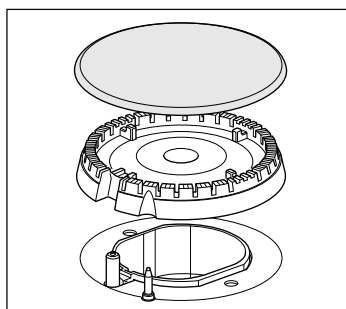
Электрплитаның бұрама қосқышын оңға немесе солға бұрау мүмкін.

Газ жанарғысының бұрама қосқышы

Әрбір жұдырықшада басқарылатын жанарғы белгісі қойылған.



Құрылғыны дұрыс пайдалану үшін торлар мен барлық жанарғы бөліктері дұрыс тұруы керек. Жанарғы қақпақтарын шатастырмаңыз.



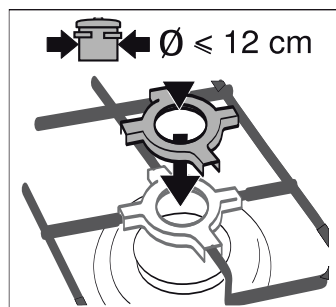
Қуат басқыштары

Максималды мен минималды күй арасында бір қалыпты реттеу арқылы дәл керекті қуатты орнату мүмкін.

Күй	○	Өшік күйі
Үлкен алау	⊕	Ең үлкен тесік немесе қуат пен электр оталдыру
Кіші алау	⊕	Ең кіші тесік немесе қуат

Тиімді жанарғы үшін крест тәрізді қаптама (таңдаулы):

Құрылғы жинағында жеткізілген крест тәрізді қаптаманы тамақтарды диаметрі 12 см кем болған кіші кастрюльде немесе эспрессо кофеқайнатқысында түрік кофе әзірлеу үшін пайдаланыңыз.



Крест тәрізді қаптаманы тиімді жанарғы болат шілдері үстіне қойыңыз.

Крест тәрізді қаптаманы диаметрі 12 см ұзын болған кастрюльдер үшін пайдаланбаңыз.

Крест тәрізді қаптаманы тек тиімді жанарғыда пайдаланыңыз.

Бірінші пайдаланудан алдын

Осы жерде бірінші пайдаланудан алдын орындалатын нұсқаулар берілген. Алдымен тарауды оқыңыз Қауіпсіздік туралы мағлұматтар .

Бірінші пайдаланудан алдын

Жаңа құрылғы ішіндегі иісті жою үшін, электрлік конфорканы үстіне ыдыс қоймай 4-ші қуат режимінде 15 минуттай қыздырыңыз. Құрылғыны алғаш рет пайдаланғанда түтін мен иістер шығуы мүмкін, олар уақыт өте келе жойылады.

⚠ Денсаулыққа зиян келтіру қаупі бар!

Конфоркаларды алғаш рет қыздырғанда бу пайда болып, ол шырышты қабықтардың тітіркенуіне алып келуі мүмкін. Конфоркаларды қыздырғанда ас үйді мұқият желдетіңіз. Ас үйге балаларды, үй жануарларын және қауіп-қатер тобындағы адамдарды кіргізбеңіз.

Назар аударыңыз!

Конфоркаларды бірінші жылытудан басқа мақсатта ыдыссыз пайдаланбаңыз.

Құралдарды тазалау

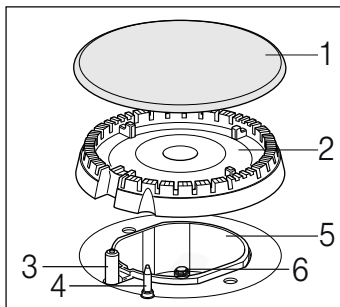
Құралды бірінші рет пайдаланбай тұрып ыстық сабынды сумен және жұмсақ шүберекпен мұқият тазалаңыз.

Жанарғы шынаяғымен мен қақпағын алдын ала тазалау

Жанарғы қақпағы (1) мен жанарғы шыаяғын (2) су және жуатын құралмен жуыңыз. Бөлектерін әбден кептіріңіз.

Жанарғы шынаяғы мен қақпағын жанарғы табағына (5) қайта орнатыңыз. Оттық (3) пен ұшқын басатын штифт (4) зақымдалмауына көз жеткізіңіз.

Форсунка (6) құрғақ және таза болуы керек. Жанарғы қақпағын әрдайым жанарғы шыаяғына дұрыс орнатыңыз.

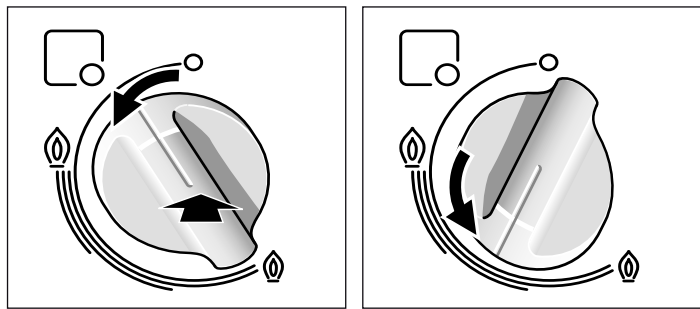


Әзірлеу бетін орнату

Әзірлеу беті газ жанарғыларымен және электр конфоркамен жабдықталған. Мұнда газ жанарғысын жандыру және әзірлеу тақтасын орнату жолы туралы оқи аласыз.

Газ жанарғысын жандыру

Жанарғы қақпағы әрдайым жанарғы табағында дәл жатуын қамтамасыз етіңіз. Жанарғы табағындағы кесіктер тығыздалған болмауы керек. Барлық бөліктер құрғақ болып қажет.



1. Таңдалған жанарғының конфорка өшіргішін басып сол жақта ең жоғары қуат басқышына бұраңыз. Егер конфорка өшіргіші басылған болса оталу әдісі басталады.
2. Конфоркалар ауыстырып-қосқышын 3-5 секунд басып тұрыңыз. Газ ағуды бастап газ жанарғысы оталады. От алу қорғаушы белсендіріледі. Газ алауы өшсе от алу қорғаушы арқылы газ жеткізілуі тоқтатылады.
3. Керекті алау биіктігін реттеңіз. Өшік күйі мен ең жоғарғы қуат басқышы арасында алау баянды болмайды. Осы себептен әрдайым ең жоғары мен ең төмен қуат басқышы арасындағы параметрді таңдау керек.
4. Егер алау өшсе, әдісті 1-басқыштан бастап қайталаңыз.
5. Пісіру әдісін аяқтау үшін конфорка ауыстырып-қосқышын оңға Өшік күйіне бұраңыз.

Конфорка ауыстырып-қосқышын 15 секундтан ұзақ оталу күйінде басып ұстау мүмкін емес. Егер жанарғы 15 секундтан соң оталмаса, кемінде бір минут күтіңіз. Сосын от алу әдісін қайталаңыз.

⚠ Назар аударыңыз!

Егер өшіргеннен соң әлі ыстық газдық пісіру панелінде конфоркалар ауыстырып-қосқышын бұрасаңыз, газ шығады. Егер конфорка өшіргіші басылмаса газ оталмай газ кірісі 90 секунд ішінде тоқтатылады.

От алдыру істемей жатыр

Тоқ үзіліс немесе ылғал от алу білтесі жағдайында газ шілдерін газдық шақпақпен немесе сіріңкемен жағыңыз.

Ескертулер

Жанарғы істеуі кезінде жай дыбыс қалыпты болып табылады.

Бірінші пайдалануда иіс шыққаны қалыпты. Бұл қауіпті болмай ақау болмайды. Иістер уақытпен жоғалады.

Сарғылт алау қалыпты болып табылады. Ол ауадағы шаң және тасып кеткен сұйықтықтар себебінен пайда болады.

Егер жанарғы алауы кездейсоқ өшсе жанарғының басқару жұдырықшасын Өшікке қойып жанарғы кемінде бір минут жандырмаңыз.

Жанарғы өшкеннен бірнеше секунд соң қатаң дыбыс естіледі. Бұл қалыпты жағдай болып қауіпсіздік жүйесі өшкенін білдіреді.

Құрылғыны таза ұстаңыз. Ластанған от алу білтесі дұрыс от алмайды. Жүйелі түрде кіші метал емес қылшақпен тазалаңыз. От алу білтесінде ешқандай қатты соққыларды жасау мүмкін емес.

Электр плитаны осылай реттеу керек

Электр конфорканың тиісті бұрама қосқышымен пісіру басқышын орнату мүмкін.

Төмендегідей әрекет жасайсыз:

1. Электр плитаның бұрама қосқышын солға бұрап 1 мен і арасында қажетті пісіру басқышына орнатыңыз.
2. Электр плита диаметрі 145 мм. Енді тамақтарыңызды әзірлеуіңіз мүмкін. Тек тегіс түптік кәстрөлдерді пайдаланыңыз. Кәстрөл немесе таба астының диаметрі конфорка өлшеміне сәйкес болуы қажет.
3. Тамақ дайын болғанда плитаны өшіру қажет (пісіру басқышы 0).

Пісіру басқышы 1 = ең төмен орнату
Пісіру басқышы 9 = ең жоғары орнату

Конфорка қосылғанда индикатор жанады.

Нұсқау: Пісіру әдісінің басында максималды қуатты пайдаланып бірнеше минуттан соң төменрек қуат басқыштарын таңдауды ұсынамыз.

Қалған ыстық

Электр плитаны пісіру әдісінің аяқталуынан алдын өшіру мүмкін. Қалған ыстық энергияны үнемдеп бірнеше минут пісіруді жалғастыруға мүмкіндік береді.

Электр плитаның үшін маңызды мәліметтер

Электр плитаны алғашқы пайдаланудан алдын ең жоғарғы басқышта 3 минут қыздырыңыз. Осы жолмен ыстыққа шыдайтын материал электр плитаның күйіп қатады.

Егер кәстрөл немесе таба асты диаметрі конфоркаға сай болмаса немесе кәстрөл асты тегіс болмаса энергия тиімді пайдаланылмайды. Қаспақтар жанып қиын жойылатын дақтарды қалдырады.

Кәстрөл немесе таба асты құрғақ болуына көз жеткізіңіз.

Электр плита үстінде таба тұрмаса оны қосу мүмкін емес. Әйтпесе электр плита бетінің реңі өзгереді.

Ыстық әсер етуінен метал конфорка шеңбері уақытпен реңін өзгертеді. Рең өзгеруін конфорка шеңберін губканың бұдыр жағымен және тазалау құралымен тазалап жою мүмкін. Тазалау кезінде губка плитаның бетіне көз жеткізіңіз.

Пайдаланудан соң электр плита бетін ылғалды шүберекпен сүртіңіз. Азғана жуу құралын пайдалану мүмкін. Қатты ластар мен күйген тамақ қалдықтарын пышақ немесе басқа өткір затпен қырманыз.

Конфорканы өшіруден соң қалған ыстық болады. Балалар құралға жақындаспасын.

Плита бұрама қосқышы тоқ үзілістен соң өшірулі болуына көз жеткізіңіз.

Электр плитаны уақытпен машина майымен сүртіп бірінші күдегіндей жылтыратыңыз.

Электр плитаны демдеу уақыты ада болуынан аз уақыт алдын өшіріп қалған ыстықты дайын демдеуге пайдалану мүмкін.

Пісіру ыдыстары мен пісіру ұсыныстары

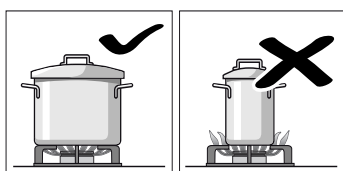
Қолайлы ыдыс

Жанарғы	Пісіру ыдысы түбінің минималды диаметрі	Пісіру ыдысы түбінің максималды диаметрі
Қатты жанатын жанарғы	22 см	26 см
Стандартты жанарғы	14 см	20 см
Тиімді жанарғы	12 см	16 см
Электр конфорка	14.5 см	14.5 см

Ыдыс конфорка шетінен шықпауы тиіс.

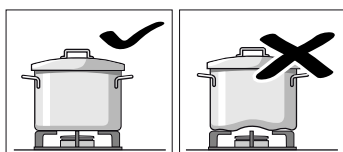
Пайдалану туралы нұсқаулар

Келесі нұсқаулар қуатты үнемдеуге және ыдыстың зақымдалуын болдырмауға көмектеседі:



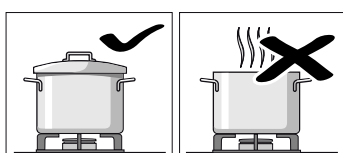
Әр жанарғы үшін өлшемі қолайлы ыдысты пайдаланыңыз.

Үлкен жанарғылар үшін өлшемі шағын ыдысты пайдаланбаңыз. Жалын ыдыстың бүйірлеріне тимеуі керек.

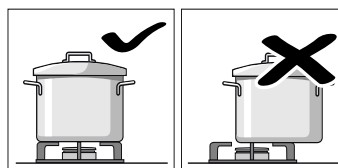


Әзірлеу бетінде тұрақты тұрмайтын пішіні өзгерген ыдысты пайдаланбаңыз. Ыдыс аударылуы мүмкін.

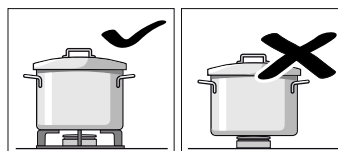
Тек түбі тегіс немесе қалың ыдысты пайдаланыңыз.



Қақпақсыз немесе жылжып кеткен қақпақпен әзірлемеңіз. Қуаттың көп мөлшері тұтынылады.

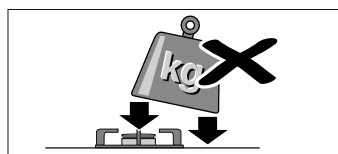


Әрқашан ыдысты жанарғының ортасына орнатыңыз, әйтпесе ол аударылуы мүмкін.



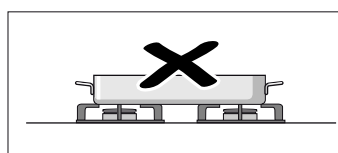
Кәстрөлдерді торларға қойыңыз, бірақ ешқашан тікелей жанарғыларға қоймаңыз.

Пайдаланбай тұрып ыдысқа арналған торлар және жанарғылардағы қақпақтар дұрыс орнатылғанына көз жеткізіңіз.



Әзірлеу бетінде тұрған ыдыс көмегімен абайлап әзірлеңіз.

Әзірлеу бетін соқпаңыз және оның үстіне салмағы ауыр заттарды қоймаңыз.



Бір ыдыс үшін екі жанарғыны немесе екі қыздыру көзін пайдаланбаңыз.

Табаларды, кәстрөлдерді және т.б. толық қуатпен ұзақ уақыт бойы пайдаланбаңыз.

Кесте - Пісіру

Әрбір конфорка үшін сәйкес көлемдік кастрөлді таңдаңыз. Кастрөл немесе таба астының диаметрі конфорка өлшеміне сәйкес болуы қажет.

Пісіру уақыттары тамақ түріне, салмағына және сапасына байланысты. Сол үшін өзгерістер болуы мүмкін. Оптималды пісіру уақытын өзіңіз бағалауыңыз мүмкін.

Көкөністерде витамин мен минерал заттектер қалуы үшін мүмкіншілік бойынша кем сумен пісіріңіз. Көкөністер қатты және ішінде көп нәрлі заттар сақтануы үшін қысқа пісіру уақыттарын таңдаңыз.

Мысал	Тағам	Конфорка	Пісіру басқышы
Еріту	Шоколад, сарымай, маргарин	Тиімді жанарғы Электроконфорка**	кіші алау 1-2
Жылыту	Сорпа, консервіленген көкөністер	Стандартты жанарғы Электроконфорка**	кіші алау 2-3-4-5
Жылыту және жылы ұстау	Көжелер	Тиімді жанарғы Электроконфорка**	кіші алау 2-3
Булау*	Балық	Стандартты жанарғы Электроконфорка**	үлкен және кіші алау арасында 5
Бұқтыру*	Картоп және басқа көкөністер, ет	Стандартты жанарғы Электроконфорка**	үлкен және кіші алау арасында 6-7-8
Қайнатып пісіру	Күріш, көкөніс, ет тамақтары (тұздықталған)	Стандартты жанарғы Электроконфорка**	үлкен алау биіктігі 7-8
Құыру	Құймақ, картоп, шницель, балық таяқшалары	Үлкен жанарғы Вок жанарғысы Электроконфорка**	үлкен және кіші алау арасында үлкен және кіші алау арасында 9

* Егер қақпақты кастрөлді пайдалансаңыз, су қайнағанда алауды дереу кішірейтіңіз.

** Опциялық Құрылғы түріне байланысты кейбір құрылғыларда қолжетімді (Вок жанарғысында қуыру үшін вок табасын пайдалануды ұсынамыз.)

Тазалау және күтім көрсету

Оптималды істеу және пісіру аймағы ұзақ мерзім істеу үшін күтім жасап әбден тазалап тұру керек.

Қауіпсіздік шарасы ретінде газды газ баллоны реттегіші арқылы өшіріңіз. (Егер плита табиғи газға реттелген болса, табиғи газ шүмегін жабыңыз).

Құрылғы желі айырын розеткадан шығарыңыз.

Пісіру аймағы әлі ыстық болса алдымен сұытыңыз.

Назар аударыңыз!

- Ешқандай жоғары қысым тазалауыштары немесе бу тазалауыштарын пайдаланбаңыз.
- Плитаны тазалау үшін ешқандай қышқыл, сұйылтқыш, бензин немесе бензол сияқты жанатын заттектерді пайдаланбаңыз.
- Ешбір жағдайда қыратын тазалау құралдары немесе материалдар пайдаланбауы керек.

Тазалау

Түрлі беттер тиісті емес тазалау құралымен зақымданбауы үшін төмендегі деректерге назар аударыңыз.

Пісіру аймағын тазалауда

- ешқандай сұйылтылмаған жуу құралы немесе ыдыс жуатын машина жуу құралы,
- ешқандай алкогольді тазалау құралы,
- ешқандай ысқалайтын губка,
- ешқандай пеш тазартқышы немес дақ тазартқышы сияқты агрессивті тазалау құралдары,
- Ешқашан өткір немесе ысқылайтын тазалау құралдарын пайдаланбаңыз.
- Бөліктерін ыдыс жуатын машинада тазаламаңыз.

Жаңа губкаларды алғашқы рет пайдаланудан алдын әбден жуыңыз.

Тот баспайтын болаттың беті* (құрылғы түріне байланысты)

Тот баспайтын болат тазартқышын жұмсақ шүберекпен тазалаңыз. Тот баспайтын беттерді әрдайым табиғи текстураға сәйкес ретте сүртіңіз. Әйтпесе сызат пайда болуы мүмкін. Жұмсақ шүберекпен кептіріңіз. Өктас, май, крахмал және ақтың дақтарын дереу жойыңыз. Ешқандай агрессивті тазартқыштар, тырнайтын губкаларды және дөрекі тазалау шүберектерін пайдаланбаңыз. Тот баспайтын болаттық бетін арнайы күту құралдарымен жылтырату мүмкін. Шығарушы нұсқауларын орындаңыз. Қызмет көрсету немесе арнайы сауда дүкендерінде болат тазалау құралдары бар.

Эмальдалған, лакталған және тарафареттік баспалық* беттер (құрылғы түріне байланысты)

Жылы сілті ертіндісі және шүберекпен сүртіңіз. Жұмсақ шүберекпен кептіріңіз.

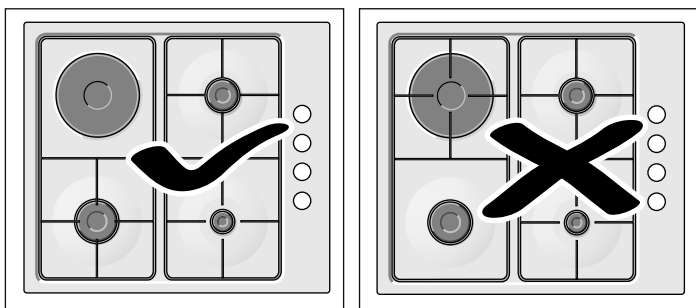
* Опциялық (бірнеше құрылғыларда қолжетімді, құрылғы түріне байланысты.)

Газдық конфоркалар мен болаттық шілдерлер	Ыдыс жуатын машинада тазаламаңыз. Болат шілдерді алып губка, тазалау құралы және аз жылы сумен тазалаңыз. Жанарғы корпусы мен жанарғы қақпағын алып қойыңыз. Тазалау үшін губка мен аз жылы су және тазалау құралын пайдаланыңыз. Жанарғы корпусындағы газ тесіктері таза және ластанбағандығын тексеріңіз. Тұтандырғышты кіші жұмсақ қылшақпен тазалаңыз. Газ жанарғысы тек оттық таза болғанда жұмыс істейді. Тағам қалдықтарын жанарғы корпустарынан шүберек және аздап жылы сілті ерітіндісімен алып қойыңыз. Аз ғана су пайдаланыңыз. Су құрылғы ішіне кіруі мүмкін емес. Форсунка тесігі тазалау кезінде бітелмеуіне немесе зақымдалмауына көз жеткізіңіз. Барлық бөліктерді тазалаудан соң кептіріп жанарғы қақпағын жанарғы корпусына дұрыс салыңыз. Дұрыс орнатылмаған бөлшектер жанарғы от алуына кедергі жасайды. Болат шілдерін қайта орнату. Біз болаттық шілдерді тазалау үшін ұсынған тазалау құралы клиенттерге қызмет көрсету орталығынан немесе арнайы дүкеннен сатып алу мүмкін.
Шыны пісіру панелі* (құрылғы түріне байланысты)	Күту: шыны үшін қорғау және күту құралдары Тазалау: шыны үшін тазалау құралы. Орамадағы тазалау нұсқауларын орындаңыз. ⚠ Қатты ластанулар үшін әйнек қырғышы: Шығарып тек жүзімен тазалаңыз. Абайлаңыз, жүзі өте өткір. Кемтар болып қалу қауіптілігі бар. Тазалаудан соң қайта бекітіңіз. Зақымдалған жүздерді дереу алмастырыңыз.
Электр конфорка* (құрылғы түріне байланысты)	Ысқылау губкасының қатты жағымен және аз сұйық ысқылау құралымен тазалаңыз. Тазалаудан соң конфорканы кептіру үшін қысқа қосыңыз. Ылғалды конфоркалар уақытпен тотталады. Соңында күту құралын жағыңыз. Шашыраған сұйықтықтармен ас қалдықтарын әрдайым дереу жойыңыз.
Пісіру панелінің сақинасы металдан жасалған* (құрылғы түріне байланысты)	Метал шеңбер уақытпен реңін өзгертуі мүмкін. Алғашқы түсті қалпына келтіру мүмкін. Шеңберді ысқылау губкасының қатты жағымен және аз сұйық ысқылау құралымен тазалаңыз. Осында шектес беттер тиімділігіне көз жеткізіңіз. Олар зақымдануы мүмкін. Электр конфорканың метал сақинасы үшін ұсынған тазалау құралы клиенттерге қызмет көрсету орталығынан немесе арнайы дүкеннен сатып алу мүмкін.
Бұрама түймешелер	Жылы сілті ерітіндісі және шүберекпен сүртіңіз. Жұмсақ шүберекпен кептіріңіз.
Жабдықтар	Жылы сілті ерітіндісімен жұмсатыңыз. Металдық емес қылшақпен немесе губкамен тазалаңыз.
Жоғарғы шыны қаптама* (құрылғы түріне байланысты)	Әйнек тазартқышы: Жұмсақ шүберекпен тазалаңыз. Жоғарғы әнекті қаптаманы тазалау үшін алып қою мүмкін. Ол үшін Жоғарғы әнекті қаптама тарауын ескеріңіз!

* Опциялық (бірнеше құрылғыларда қолжетімді, құрылғы түріне байланысты.)

Егер торда резеңке қаптамалары болса тазалауда абай болыңыз. Қаптама шешіліп тор пісіру аймағын қыру мүмкін.

Болат шілдер тазалап кептіруден соң дұрыс салынғанына көз жеткізіңіз.



Шашыраған майда және лимон сияқты қышқыл қамтитын азық-түліктерді бірден жойыңыз.

Басқару панелін тазалау үшін ешқашан ысқылайтын тазалау ұнтағын пайдаланбаңыз. Әйтпесе жазулар қырылып кертуі мүмкін.

Жанарғы қақпағы қара эмальмен қапталған. Жоғарғы температура себебінен рең өзгеруі мүмкін. Жанарғы функциясы оған әсер етпейді.

Күтім

Шашыраған сұйықтықтарды әрдайым дереу жойыңыз. Осылай ас қалдықтары жабыспай сіз күшпен уақытыңызды сақтайсыз.

Жанарғы бөліктерінің беттерін әр пайдаланудан соң суық жағдайда тазалаңыз. Кіші тамақ қалдықтары да (тамған тамақтар, шашыраған май т.б.) бетке күйіп жабысса кейінірек оларды жою қиын болады. Дұрыс алау шығуы үшін жанарғы ойықтары мен тесіктері таза болуы керек.

Кейбір пісіру ыдыстарын жылжыту торларда метал іздерін қалдыру мүмкін.

Жанарғы мен торларды сабын сумен және метал емес қылшақпен тазалаңыз.

Құрылғы бөліктерін ыдыс жуатын машинада тазаламаңыз.

Әрдайым барлық жанарғы мен торларды тазалаңыз. Пісіру әдісінің басында су тамшылары мен ылғал аймақтар эмальды зақымдауы мүмкін.

Назар аударыңыз!

Тот баспайтын болат тазартқыштарын басқару бөліктері аймағында пайдалану мүмкін емес. Белгілер (басылған) жойылуы мүмкін.

Ақауларды жою

Кейбір жағдайларда пайда болған ақауларды жай жою мүмкін. Сервистік қызметке қоңырау шалудан алдын төмендегі нұсқауларды орындаңыз:

Ақау	Мүмкін себеп	Шешім
Жалпы электр ақауы.	Сақтандырғыш зақымдалған.	Бас сақтандырғыш шкафында сақтандырғыш зақымданбағанын тексеріңіз, керек болса алмастырыңыз.
	Автоматты сақтандырғыш немесе авариялық тоқтан сақтандыру қосқышы іске қосылды.	Бас басқару панелінде автоматты сақтандырғыш немесе авариялық тоқтан сақтандыру қосқышы күй-генін тексеріңіз.
Автоматты от алу істемей жатыр.	От алдыру білтелері мен жанарғылар арасында азық-түлік немесе тазалағыш қалдықтары болуы мүмкін.	От алдыру бітесі мен жанарғы арасы таза болуы керек.
	Жанарғылар ылғалды.	Жанарғы қақпақтарын әбден кептіріңіз.
	Жанарғы қақпақтары дұрыс қойылмады.	Қақпақтар дұрыс жатуын тексеріңіз.
Бір қалыпты болмаған жанарғы алауы.	Құрылғы жерге қосымалған немесе қате қосылған немесе қоспа зақымдалған.	Электр орнатушына хабарласыңыз.
	Жанарғы бөліктері дұрыс қойылмады.	Жанарғы бөліктерін тиісті жанарғысына дұрыс қойыңыз.
Газ ағымы қалыпты емес немесе газ шықпай жатыр.	Жанарғы ойықтары ластанған.	Жанарғы ойықтарын тазалаңыз.
	Аралық клапандар жабық.	Мүмкін аралық клапандарын ашыңыз.
Асханада газ иісі шығып жатыр.	Газ баллонын пайдалансаңыз ол бос болмауын тексеріңіз.	Газ баллонын алмастырыңыз.
	Газ шүмегі ашық.	Газ шүмектерін жабыңыз.
Жанарғы басқару жұдырықшасын жібергеннен соң бірден өшеді.	Газ баллоны дұрыс біріктірілмеген.	Газ баллон бітеулігін тексеріңіз.
	Мүмкін газдың кемуі.	Газ шүмегін жабып аймақты желдетіңіз да орнатуды тексеріп сертификаттау үшін авторизацияланған маманға хабарласыңыз. Құрылғы немесе орнатылымда ешқандау газ кемуі жоқтығы қамтамасыз етілмегенше құрылғыны пайдаланбаңыз.
	Басқару жұдырықшасын ұзақ баспадыңыз.	Жанарғы ота ағаннан соң басқару жұдырықшасын бірнеше секунд басыр тұрыңыз.
	Жанарғы ойықтары ластанған.	Жанарғы ойықтарын тазалаңыз.

Сервистік қызмет

Егер құрылғыны жөндеу керек болса, біздің сервистік қызмет сіз үшін жасалған. Біз техниктердің қажет емес келулерін болдырмау үшін әрқашан жарайтын шешімді табамыз.

Е-нөмірі мен FD-нөмірі

Тез орындалуы үшін сервистік қызметке хабарласқан кезде өнімдік нөмірі (E-Nr.) мен өндіру күнін (FD-Nr.) дайын ұстаңыз. Зауыттық тақтайшасын нөмірлерімен плитаның астыңғы жағында табасыз. Ақау жағдайында көп іздемеу үшін осы жерде құрылғыңыз деректері мен сервистік қызмет телефон нөмірін жазып қойыңыз.

E-нөмірі	FD-нөмірі
----------	-----------

Сервистік қызмет көрсету

Кепілдік мерзімінде да дұрыс емес немесе теріс пайдалану жағдайында қызмет пен жөндеу ақылары төленуі мүмкін.

Барлық елдер бойынша контакт мәліметтері сервистік қызмет қосымшасында берілген.

Бұйымды өндірушіге сеніп сервис қызмет көрсету орталығына қайрылыңыз. Сервис қызмет көрсету орталығы ғана құралыңыз

үшін керекті мамандарды және түпнұсқаулық бөлшіктерді таба алады.


Кепілдік шарттары

Егер құрылғыда зақымданулар болса немесе сапасы талаптарыңызға сәй болмаса бізге хабарласыңыз. Кепілдікті пайдалану үшін құрылғыны рұқсатсыз өзгерту немесе пайдалану мүмкін емес.

Кепілдік шарттарын құрылғы сатылған елдегі өкіліміз белгілейді. Қосымша мәліметтерді сату жайларында аласыз. Кепілдікті пайдалану үшін құрылғыны сатып алу қиыбын көрсету керек.

Біз өзгертулерді енгізу құқықын сақтап қаламыз.

Орама мен қолданған жабдықтар

Егер құрылғыңызда сызылған қоқыс шөлегі белгісі  болса, төмендегі нұсқауларды орындаңыз.

Экологиялық тұрғыдан қауіпсіз жолмен утилизациялау

Ораманы экологиялық тұрғыдан қауіпсіз жолмен утилизациялаңыз.



Бұл құрылғыда 2012/19/ЕО электр және электрондық жабдықты (қоқыс электр және электрондық жабдық - WEEE) утилизациялау туралы еуропалық директиваға сай белгісі бар.

Бұл директива Еуропалық Одақ шеңберінде ескі құрылғыларды қайтару және утилизациялау тәртібін қамтамасыз етеді.

Құрылғыңыз орамасы тасымалдауда тиімді қорғауды қамтамасыз ету үшін керекті материалдардан жасалған. Осы материалдарды толық кәдеге жарату мүмкін болып қоршаған ортаны қорғауға көмектеседі. Төмендегі нұсқауларды орындап қоршаған ортаны қорғауға көмектесесіз:

- Ораманы кәдеге жаратылатын материалдар контейнеріне тастаңыз.
- Тастаудан алдын пайдаланылмаған құрылғыны пайдасыз қылыңыз. Жергілікті әкімшіліктен жақын қайталама шикізат жинау жерінің мекенжайын біліп құрылғыны сол жерге жіберіңіз.
- Пайдаланылған маларды раковинаға тастамаңыз. Майды жабылатын ыдыста жинап жинайтын жерде беріңіз немесе мүмкін болмаса оны қоқыс контейнеріне тастаңыз (осылай басқарылатын қоқыс ажыратуы мүмкін болады - ең дұрыс шешім болмаса да су ластанбайды).

Қуатты үнемдеу туралы кеңестер

- Әрқашан кәстрөлдерді қолайлы қақпақтармен жабыңыз. Тамақты қақпақсыз әзірлеу кезінде көбірек қуат қажет болады. Шыны қақпақ қақпақты көтерусіз тамаққа қарауға мүмкіндік береді.
- Түбі тегіс кәстрөлдер мен табаларды пайдаланыңыз. Кәстрөлдер мен табалардың тегіс емес түбі қуатты тұтынуды арттырады.
- Кәстрөлдің және табаның диаметрі конфорканың өлшемімен бірдей болуы керек. Әсіресе тым кішкентай кәстрөлдерді пайдалану қуатты жоғалтуға әкеледі. Назар аударыңыз: ыдыс өндірушілері жиі кәстрөлдің жоғарғы диаметрін көрсетеді. Ол негізінен кәстрөл түбінің диаметрінен үлкен болады.
- Тамақтың аз мөлшерін әзірлеу үшін шағын кәстрөлді пайдаланыңыз. Үлкен, аздап толтырылған кәстрөл қуаттың көп мөлшерін қажет етеді.
- Судың аз мөлшерімен әзірлеңіз. Бұл қуатты үнемдейді. Көкөністерде дәрумендер мен минералдық заттар сақталады.
- Кәстрөлмен, мүмкіндігінше, конфорканың үлкенірек ауданын жабыңыз.
- Төменірек қыздыру деңгейіне дұрыс ауысыңыз.
- Аз отта әзірлеу үшін қолайлы қыздыру деңгейін таңдаңыз. Аз отта тым жоғары әзірлеу деңгейінде қуат жоғалады.
- Әзірлеу бетінің қалдық жылуын пайдаланыңыз. Ұзақ әзірлегенде конфорканы тамақты әзірлеу аяқталуына 5-10 минут қалғанда өшіріңіз.

Тасымалдауда орындалатын шаралар

Құрылғыда барлық жылжымалы бөлектерді із қалдырмайтын жабысқақ таспамен бекітіңіз. Бар болса жоғарғы қақпағын жабысқақ таспамен құрылғы шеттеріне бекітіңіз.

Құрылғының түпнұсқалық орамасын сақтаңыз. Құрылғыны тек түпнұсқалық орамада тасымалдаңыз. Орамадағы тасымалдау көрсеткілеріне назар аударыңыз.

Егер түпнұсқалық орама жоқ болса

Құрылғыны тасымалдау зияндарынан жетерлік ретте қорғайтын орамаға ораңыз.

Құрылғы плита мен жанарғылары жоғарыға қараған күйде тасымалдануы керек. Құрылғыға ауыр заттарды қоймаңыз.

Оглавление

Правила техники безопасности.....	23
Причины повреждений.....	26
Ваша новая варочная панель.....	26
Поворотный переключатель электрической конфорки.....	26
Поворотный переключатель газовой горелки.....	26
Подставка для экономичной газовой горелки (опция):.....	27
Перед первым использованием.....	27
Перед первым использованием.....	27
Очистка принадлежностей.....	27
Предварительная очистка корпусов и крышек газовых горелок.....	27
Настройка варочной панели.....	28
Поджиг газовой горелки.....	28
Настройка электрической конфорки.....	28
Кухонная посуда и рекомендации по приготовлению.....	29
Подходящая посуда.....	29
Советы по эксплуатации.....	29
Таблица - приготовление пищи.....	30
Очистка и уход.....	30

Очистка.....	30
Уход.....	31
Устранение неполадок.....	32
Сервисная служба.....	32
Номер E и номер FD.....	32
Упаковка и используемое оборудование.....	33
Правильная утилизация упаковки.....	33
Рекомендации по экономии электроэнергии.....	33
Во время транспортировки соблюдайте необходимые меры предосторожности.....	33

Более подробную информацию о продукции, принадлежностях, запасных частях и службе сервиса можно найти на официальном сайте www.bosch-home.com и на сайте интернет-магазина www.bosch-eshop.com

Правила техники безопасности

Внимательно прочитайте данное руководство. Сохраняйте руководство по эксплуатации и инструкцию по монтажу, а также паспорт прибора для дальнейшего использования или для передачи новому владельцу.

При невыполнении инструкций, содержащихся в данном руководстве, производитель освобождается от всякой ответственности.

Данный прибор относится к третьему классу защиты по стандарту EN 30-1-1 для газовых приборов: встроенное оборудование.

Класс допуска прибора: HIGVS6RQM0

Схемы, представленные в данном руководстве по эксплуатации, являются ориентировочными.

Не снимайте защитную упаковку с электроприбора до момента проведения монтажа.

Распакуйте и осмотрите прибор. Не подключайте прибор, если он был поврежден во время транспортировки.

Внимание: Использование газовой плиты приводит к повышению температуры и влажности в помещении. При эксплуатации прибора следует обратить особое внимание на хорошую вентиляцию помещения: не закрывать естественные вентиляционные отверстия или использовать специальные вентиляционные устройства (например, вытяжку над плитой).

При интенсивном и долговременном использовании прибора может потребоваться дополнительная вентиляция, в этом случае можно открыть окно или включить специальное вентиляционное устройство на более высокую мощность.

Данный прибор можно устанавливать только в хорошо проветриваемом месте, в соответствии с действующими нормами и инструкциями относительно вентиляции помещений. Данный прибор нельзя подсоединять к дымоходу для отвода дымовых газов.

В помещении, где устанавливается прибор, должна быть предусмотренная нормами вентиляция в рабочем состоянии.

Установка данного прибора должна производиться в соответствии с прилагаемой инструкцией по монтажу.

Подключение прибора и перенастройку на другой вид газа должен производить только квалифицированный специалист.

Подключение прибора (подключение к электросети и газу) должно осуществляться в соответствии с руководством по эксплуатации и монтажу. Неправильное подключение и настройка могут привести к опасным ситуациям и значительным повреждениям прибора. В данном случае производитель прибора не несет ответственности. Гарантия на прибор теряет силу.

Данный прибор предназначен исключительно для бытового использования и не может применяться в промышленных или коммерческих целях. Данный прибор нельзя устанавливать на яхтах или в автокемперах. Гарантия производителя действительна только в случае использования прибора по назначению.

Этот прибор предназначен только для домашнего использования. Используйте прибор только для приготовления блюд и напитков. Запрещено использовать его в качестве обогревательного прибора. Следите за прибором во время его работы. Используйте прибор только в помещении.

Данный прибор предназначен для использования на высоте не более 2000 м над уровнем моря.

Этот прибор не предназначен для использования с внешним таймером или пультом управления.

Не оставляйте работающий прибор без присмотра.

Дети до 8 лет, лица с ограниченными физическими, умственными и психическими возможностями, а также лица, не обладающие достаточными знаниями о приборе, могут использовать прибор только под присмотром или после подробного инструктажа и осознания всех опасностей, связанных с эксплуатацией прибора.

Детям не разрешается играть с прибором. Очистка или техобслуживание прибора не должны производиться детьми без присмотра взрослых.

Существует опасность отравления!

Использование газового прибора повышает температуру, влажность и концентрацию продуктов сгорания в помещении, где он установлен. Необходимо обеспечить хорошую вентиляцию кухни, в особенности во время работы варочной панели: не загромождайте отверстия естественной вентиляции или установите устройство для механической вентиляции (вытяжку). При продолжительном или интенсивном использовании прибора может понадобиться дополнительное или более интенсивное проветривание: откройте окно или увеличьте мощность механической вытяжки.

Существует опасность возгорания!

■ Скопление газа в закрытом помещении может привести к возгоранию. Следите, чтобы во время работы варочной панели не было сквозняков. Струя воздуха может задуть пламя на конфорках. Внимательно

ознакомьтесь с инструкциями и правилами техники эксплуатации газовых конфорок.

- Горячее растительное масло или жир легко воспламеняются. Не оставляйте без присмотра горячее масло или жир. Никогда не тушите огонь водой. Выключите конфорку. Пламя можно осторожно погасить крышкой, пламягасящим покрывалом или подобными предметами.
- Включённая газовая конфорка, если на ней не установлена посуда, производит очень много тепла. Прибор и расположенная над ним вытяжка могут быть повреждены или воспламениться. Частички жира в фильтре вытяжки могут воспламениться. Включайте газовую конфорку только при установленной посуде.
- Конфорки очень сильно нагреваются. Никогда не кладите легко воспламеняющиеся предметы на варочную панель. Не складывайте предметы на варочную панель.
- Прибор сильно нагревается и может стать причиной возгорания легковоспламеняющихся материалов. Не храните и не пользуйтесь вблизи прибора или под ним легковоспламеняющимися предметами (например аэрозольными распылителями, чистящими средствами). Не храните в или на духовом шкафу легковоспламеняющиеся предметы.
- Задняя стенка прибора сильно нагревается. Это может привести к повреждению проводов и труб. Газоподводящие трубы и электропроводка не должны соприкасаться с задней поверхностью прибора.

Опасность ожога!

- Конфорки и соседние части варочной панели (в особенности рамка) сильно нагреваются. Не прикасайтесь к раскаленным поверхностям. Не подпускайте детей близко.
- В процессе эксплуатации поверхности прибора нагреваются. Не касайтесь горячих поверхностей. Следите, чтобы дети не подходили близко к плите.
- Пары спирта на горячей поверхности могут вспыхнуть. Никогда не готовьте блюда с большим содержанием крепких алкогольных напитков. Всегда используйте низкопроцентный алкоголь.
- Пустая кухонная посуда, установленная на газовую горелку, становится очень

горячей. Никогда не устанавливайте на конфорку пустую посуду.

- Металлические предметы очень быстро нагреваются на варочной панели. Никогда не кладите металлические предметы, например, ножи, вилки, ложки или крышки, на варочную панель.
- Если баллон со сжиженным газом находится не в вертикальном положении, то сжиженный пропан-бутан может попасть в прибор. При этом из горелок может вырваться сильное пламя. Некоторые части прибора могут повредиться и со временем стать негерметичными из-за неконтролируемого выхода газа, что может привести к ожогам. Держите баллоны со сжиженным газом всегда в вертикальном положении.
- Конфорка нагревается, однако индикатор не работает. Отключите предохранитель в блоке предохранителей. Вызовите специалиста сервисной службы.
- Во время работы прибор сильно нагревается. Перед очисткой дайте прибору остыть.

Опасность травмирования!

- При неквалифицированном ремонте прибор может стать источником опасности. Любые ремонтные работы и замена газоподводящих труб или электропроводки должны выполняться только специалистами сервисной службы, прошедшими специальное обучение. Если прибор неисправен, отключите предохранитель в блоке предохранителей или выньте вилку сетевого провода из розетки и перекройте подачу газа. Вызовите специалиста сервисной службы.
- Из-за жидкости между дном кастрюли и конфоркой кастрюля может неожиданно подпрыгнуть вверх. Поэтому дно посуды и конфорки всегда должны быть сухими.
- Неисправности или повреждения прибора опасны. Никогда не включайте неисправный прибор. Отключите предохранитель в блоке предохранителей или выньте из розетки сетевой шнур. Перекройте подачу газа. Вызовите специалиста сервисной службы.
- Кастрюли неподходящих размеров, повреждённые или неправильно поставленные кастрюли могут стать причиной травм. Соблюдайте указания, касающиеся кухонной посуды.
- Нельзя вносить изменения во внутренние элементы прибора. Если это необходимо, свяжитесь с нашим сервисным центром.

Опасность удара током!

- При неквалифицированном ремонте прибор может стать источником опасности. Поэтому ремонт должен производиться только специалистом сервисной службы, прошедшим специальное обучение. Если прибор неисправен, выньте вилку из розетки или отключите предохранитель в блоке предохранителей. Вызовите специалиста сервисной службы.
- При сильном нагреве прибора изоляция кабеля может расплавиться. Следите за тем, чтобы кабель не соприкасался с горячими частями электроприборов.
- Проникающая влага может привести к удару электрическим током. Не используйте очиститель высокого давления или пароструйные очистители.
- Неисправный прибор может быть причиной поражения током. Никогда не включайте неисправный прибор. Выньте из розетки вилку сетевого провода или выключите предохранитель в блоке предохранителей. Вызовите специалиста сервисной службы.

Не устанавливайте прибор в местах, где есть сквозняки. Струя воздуха может задуть пламя на конфорках.

Если какая-то ручка не поворачивается, не форсируйте ее. Сразу свяжитесь с сервисным центром, чтобы починить или заменить эту ручку.

Не используйте неподходящие защитные решётки или детские решётки безопасности. Это может привести к несчастному случаю.

Причины повреждений

Варочная панель

Внимание!

Включайте конфорки, только когда на них установлена посуда. Не нагревайте пустые кастрюли или сковороды. Так можно повредить их дно.

Внимание!

Используйте кастрюли и сковородки только с ровной нижней поверхностью.

Внимание!

Ставьте кастрюли и сковороды точно по центру конфорки. Таким образом тепло от пламени оптимально нагреет дно кастрюли или сковороды. Рукоятка или ручки кастрюли не повредятся, а также будет достигнут высокий уровень экономии энергии.

Внимание!

Следите за тем, чтобы конфорки варочной панели всегда были чистыми и сухими. Корпус и крышка горелки должны быть установлены точно на своих местах.

**** Опция:** Действительна только для некоторых моделей.

Внимание!

Проследите за тем, чтобы при эксплуатации плиты верхняя крышка была открыта.

Внимание!

При использовании прибора с газовым баллоном баллон должен стоять вертикально. Если баллон будет находиться в горизонтальном положении, это может стать причиной повреждения внутренних частей баллона и утечки газа.

Внимание!

Следите за тем, чтобы дети не включали электрическую конфорку, когда закрыта крышка.

Внимание!

Электрическая конфорка должна быть всегда сухой. Солёная вода или мокрое дно кастрюли могут повредить её.

Внимание!

Никогда не включайте электрическую конфорку без посуды. Не используйте кастрюли с неровным дном. Электрическая конфорка не будет отдавать достаточное количество тепла и может накалиться докрасна.

Внимание!

Окружающее прибор пространство должно быть сухим и чистым. Следите за тем, чтобы после каждой очистки прибор и окружающее его пространство оставались сухими и чистыми. Проверяйте, чтобы на всех поверхностях прибора не оставались материал для очистки, средство для очистки и остатки воды.

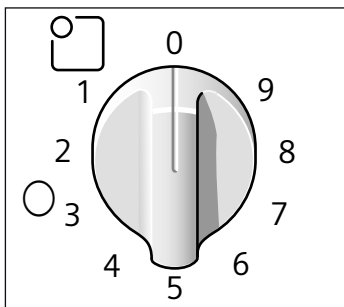
Ваша новая варочная панель

На странице 2 представлен внешний вид вашей варочной панели и указана мощность конфорок.

Поворотный переключатель электрической конфорки

С помощью поворотного переключателя регулируется мощность нагрева электрической конфорки.

Когда электрическая конфорка включена, горит индикаторная лампочка.

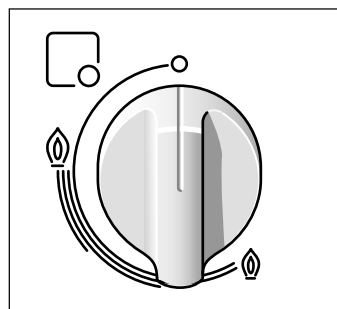


Положения	Электрическая конфорка/функция
0 Нулевое положение	Плита выключена.
1-9 Ступени нагрева конфорки	1 = минимальная ступень нагрева 9 = максимальная ступень нагрева

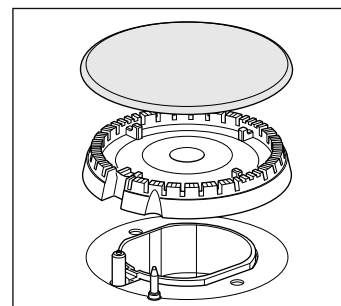
Поворотный переключатель электрической конфорки может поворачиваться вправо и влево.

Поворотный переключатель газовой горелки

Около каждой ручки управления указано, какую конфорку она включает



Чтобы варочная панель хорошо работала, следите за тем, чтобы решетки и все детали горелок были правильно установлены. Не меняйте места крышки горелок.



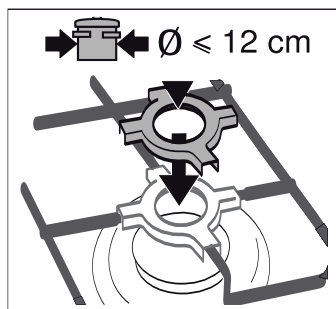
Уровни мощности

Ручки плавной регулировки позволяют отрегулировать нужную вам мощность в пределах минимальной и максимальной мощности конфорки.

Положение	○	Выключено
Большой огонь	🔥	Максимальное открытие или мощность и электроподжиг
Маленький огонь	🔥	Минимальное открытие или мощность

Подставка для экономичной газовой горелки (опция):

При приготовлении на экономичной газовой горелке блюд в кастрюлях диаметром менее 12 см или турецкого кофе в кофейнике для эспрессо используйте подставку из комплекта поставки прибора.



Положите подставку на стальную решетку газовой горелки.

Не используйте подставку для кастрюль с диаметром менее 12 см.

Используйте подставку только на экономичной газовой горелке.

Перед первым использованием

Из этой главы Вы узнаете, на что следует обратить внимание перед первым использованием. Прежде всего, прочитайте раздел Указания по технике безопасности .

Перед первым использованием

Чтобы устранить запах нового прибора, нагревайте электроконфорки без посуды в течение 15 минут в режиме мощности 4. При первом использовании прибора может выделяться дым и запахи, которые со временем исчезнут.

Опасность для здоровья!

При первом разогревании конфорок выделяются пары, которые могут привести к раздражению слизистых оболочек. Во время процесса разогревания тщательно проветривайте кухню. Не допускайте детей, домашних животных и лиц из группы риска в помещение.

Внимание!

За исключением первого прогревания, никогда не нагревайте конфорки без посуды.

Очистка принадлежностей

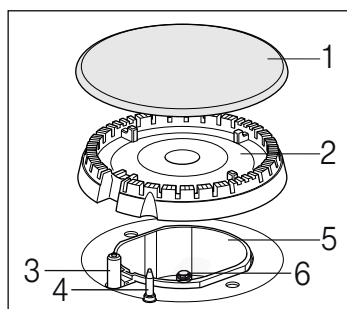
Перед первым использованием тщательно очистите принадлежности горячим мыльным раствором и мягкой тряпочкой.

Предварительная очистка корпусов и крышек газовых горелок

Очищайте крышку (1) и корпус (2) газовой горелки водой с добавлением моющего средства. Тщательно вытрите все детали насухо.

Снова установите корпус и крышку горелки на конфорку (5). Следите за тем, чтобы свеча поджига(3) и датчик пламени(4) не были повреждены.

Форсунка(6) должна быть сухой и чистой. Крышка горелки должна быть всегда ровно установлена на корпусе.

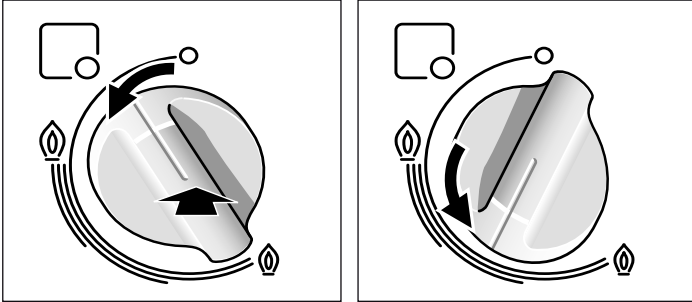


Настройка варочной панели

Ваша варочная панель оснащена тремя газовыми горелками и одной электрической конфоркой. Прочитав эту инструкцию, вы узнаете, как правильно зажигать газовые горелки и настраивать электрическую конфорку.

Поджиг газовой горелки

Следите за тем, чтобы крышка горелки всегда была ровно установлена на корпусе горелки. Прорезы на корпусе горелки должны быть свободны. Все части горелки должны быть сухими.



1. Нажмите переключатель конфорки нужной горелки и поверните влево на максимальную ступень мощности. Процесс поджига начнётся после того, как будет нажат переключатель конфорки.
2. Удерживайте переключатель конфорки нажатым около 3–5 секунд. Начинает выходить газ и газовая горелка зажигается. Система защиты от утечки газа включена. Благодаря системе защиты от утечки газа, при внезапно погасшем пламени автоматически прекращается подача газа.
3. Установите нужную мощность пламени. В положении между установкой ВЫКЛ. и максимальной ступенью мощности пламя не стабильно. В связи с этим всегда следует выбирать положение между максимальной и минимальной ступенями мощности.
4. Если пламя погаснет, повторите процесс, начиная с шага 1.
5. Для завершения процесса приготовления поверните переключатель конфорки вправо в положение ВЫКЛ.

Переключатель конфорки не должен быть задействован более 15 секунд в положении поджига. Если по истечении 15 секунд горелка не зажглась, подождите минимум одну минуту. Затем повторите процесс поджига.

⚠ Внимание!!

Если вскоре после выключения повернуть переключатель конфорки ещё горячей газовой варочной панели, пойдёт газ. Если переключатель конфорки не будет нажат, то горелка не зажётся и подача газа прекратится в течение 90 секунд.

Конфорка не поджигается.

При отключении электроэнергии или попадании влаги на свечи поджига зажечь газовые горелки можно электрической зажигалкой или спичкой.

Примечания

Во время работы конфорок может слышаться легкий свист, это нормально.

В первое время работы нового прибора могут выделяться специфические запахи. Они не представляют опасности для здоровья и не являются признаком неисправности варочной панели. Со временем запахи исчезнут.

Пламя оранжевого цвета является нормальным. Такой цвет пламени может быть обусловлен имеющейся в воздухе пылью, пролившейся жидкостью и т. д.

Если пламя конфорки случайно погасло, поверните ручку этой конфорки в нулевое положение и подождите не менее 1 минуты перед повторным включением.

Через несколько секунд после выключения конфорки раздаётся сухой щелчок. Он не является признаком неисправности, а означает, что отключилась система газ-контроля.

Содержите варочную панель в чистоте. Если свечи загрязнились, поджиг будет работать плохо. Периодически очищайте их небольшой щеточкой с неметаллической щетиной. Имейте в виду, что со свечами нужно обращаться осторожно.

Настройка электрической конфорки

С помощью соответствующего поворотного переключателя электрической конфорки можно установить ступень нагрева конфорки.

Выполните следующее:

1. Установите поворотный переключатель электрической конфорки влево на соответствующую ступень нагрева между 1 и 9.
2. Диаметр конфорки составляет 145 мм. После этого можно начать приготовление блюда. Используйте только кастрюли с ровным дном. Диаметр дна кастрюли или сковороды должен соответствовать размеру конфорки.
3. После того, как блюдо приготовилось, выключите электрическую конфорку (ступень нагрева 0).

Ступень нагрева конфорки 1 = минимальная установка
Ступень нагрева конфорки 9 = максимальная установка

Когда конфорка включена, горит индикатор.

Указание: В начале процесса приготовления пищи рекомендуется использовать максимальный уровень мощности, а через несколько минут можно переключить конфорку на один из средних уровней мощности.

Остаточное тепло

Электрические конфорки можно отключать незадолго до окончания приготовления блюда. Благодаря остаточному теплу процесс приготовления продлится еще несколько минут, и таким образом можно сэкономить электроэнергию.

Важная информация по эксплуатации электрической конфорки

Перед первым использованием прогрейте электрическую конфорку на максимальной ступени нагрева в течение 3 минут. При этом жаропрочный материал на электрической конфорке прогорает и затвердевает.

Если диаметр дна кастрюли или сковородки не соответствует диаметру конфорки или дно кастрюли неровное, это может стать причиной повышенного расхода электроэнергии. Убежавшая жидкость пригорает, оставляя трудноудаляемые пятна.

Следите за тем, чтобы дно кастрюли или сковородки оставалось сухим.

Не следует включать электрическую конфорку, если на ней не находится кастрюля. В противном случае поверхность электрической конфорки может изменить цвет.

В результате теплового воздействия металлическое кольцо конфорки со временем изменяет цвет. Чтобы устранить изменения цвета, очищайте кольцо конфорки с помощью чистящего средства жёсткой стороной губки. При очистке следите за тем, чтобы губка не соприкасалась с конфоркой.

После использования протрите поверхность электрической конфорки влажной тряпкой. Также можно добавить небольшое количество моющего средства. Не счищайте стойкие загрязнения или пригоревшие остатки пищи ножом или другим острым предметом.

После выключения конфорки остаётся остаточное тепло. Следите, чтобы дети не подходили близко к плите.

Убедитесь в том, что после отключения электроэнергии поворотный переключатель конфорки выключен.

Время от времени наносите на электрическую конфорку машинное масло - тогда она снова будет выглядеть как в день покупки.

Незадолго до окончания времени приготовления можно выключить электрическую конфорку и использовать остаточное тепло для доведения блюда до готовности.

Кухонная посуда и рекомендации по приготовлению

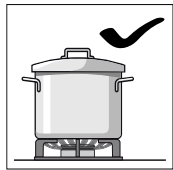
Подходящая посуда

Конфорка	Минимальный диаметр дна посуды	Максимальный диаметр дна посуды
Конфорка повышенной мощности	22 см	26 см
Стандартная конфорка	14 см	20 см
Экономичная конфорка	12 см	16 см
Электрическая конфорка	14.5 см	14.5 см

Посуда не должна выступать за пределы варочной панели.

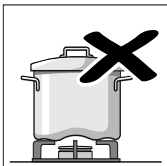
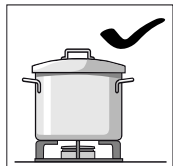
Советы по эксплуатации

Приведенные ниже советы помогут вам сэкономить электроэнергию и избежать повреждения посуды:



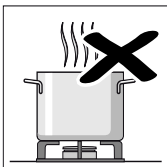
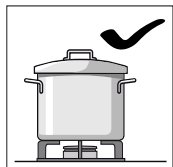
Используйте посуду, соответствующую размерам каждой конфорки.

Не пользуйтесь посудой маленького диаметра на больших конфорках. Пламя не должно касаться стенок посуды.

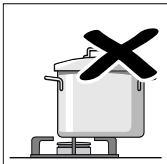
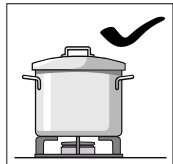


Не используйте посуду с поврежденным и неровным дном, которая неустойчиво стоит на плите. Такая посуда может перевернуться.

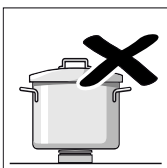
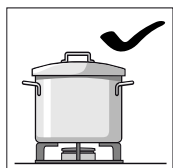
Пользуйтесь только посудой с ровным толстым дном.



Не готовьте без крышки или с приоткрытой крышкой. Часть энергии при этом расходуется зря.

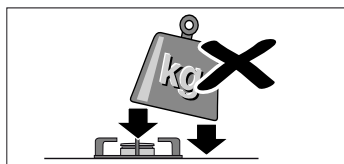


Ставьте посуду всегда по центру конфорки, иначе она может опрокинуться.



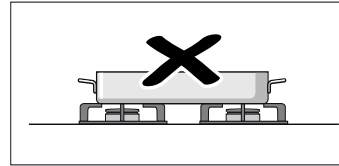
Устанавливайте посуду на решетки, никогда не ставьте ее прямо на горелку конфорки.

Перед использованием конфорок убедитесь, что решетки и крышки горелок правильно установлены.



Будьте осторожны в обращении с посудой на варочной панели.

Не ударяйте по варочной панели и не кладите на нее слишком тяжелые вещи.



Не используйте две конфорки или два источника тепла для нагревания одной кастрюли или сковороды.

Избегайте продолжительного нагревания сковород-гриль, керамических сотейников и другой подобной посуды на максимальной мощности.

Таблица - приготовление пищи

Для каждой конфорки выбирайте кастрюлю подходящего размера. Диаметр дна кастрюли и сковороды должен соответствовать размеру конфорки.

Время приготовления зависит от вида, веса и качества продуктов, поэтому возможны некоторые отклонения от

указанных значений. Оптимальное время приготовления лучше всего можете определить только вы.

При приготовлении не используйте большое количество воды, чтобы обеспечить сохранение витаминов и минеральных веществ в продуктах. Для того чтобы овощи сохранили свою плотность и питательные вещества, сокращайте по возможности время их приготовления.

Пример	Вид блюда	Конфорка	Степень нагрева конфорки
Растапливание	Шоколад, сливочное масло, маргарин	Экономичная газовая горелка	Малое пламя
		Электрическая конфорка**	1-2
Разогревание	Бульон, консервированные овощи	Стандартная газовая горелка	Малое пламя
		Электрическая конфорка**	2-3-4-5
Разогревание и поддержание в горячем состоянии	Супы	Экономичная газовая горелка Электрическая конфорка**	Малое пламя 2-3
Приготовление на пару*	Рыба	Стандартная газовая горелка Электрическая конфорка**	Между большим и малым пламенем 5
Тушение*	Картофель и прочие овощи, мясо	Стандартная газовая горелка Электрическая конфорка**	Между большим и малым пламенем 6-7-8
Варка*	Рис, овощи, мясные блюда (с соусами)	Стандартная газовая горелка Электрическая конфорка**	Большая высота пламени 7-8
Жарение	Блины, картофель, шницель, рыбные палочки	Большая газовая горелка	Между большим и малым пламенем
		Горелка WOK	Между большим и малым пламенем
		Электрическая конфорка**	9

* Если вы используете кастрюлю с крышкой, убавьте пламя, как только вода закипит.

** В виде опции. Доступно у некоторых приборов. В зависимости от типа прибора (для жарения на конфорке WOK мы рекомендуем использовать специальную сковороду).

Очистка и уход

Оптимальная мощность и долгий срок службы варочной панели возможны только при регулярной тщательной очистке и правильном техническом обслуживании.

В целях безопасности отключите подачу газа с помощью регулятора газового баллона. (Если плита настроена на использование природного газа, закройте кран подачи газа.)

Выньте вилку сетевого шнура из розетки.

Если конфорка еще горячая, дайте ей сначала остыть.

Внимание!

- Не используйте очистители высокого давления и пароструйные очистители.
- Не используйте для очистки плиты легковоспламеняющиеся вещества, такие как кислоты, растворители, бензин и бензол.
- Ни в коем случае не используйте царапающие чистящие средства и материалы.

Очистка

Чтобы не допустить повреждения различных поверхностей в результате использования неподходящих чистящих средств, соблюдайте следующие указания.

При чистке варочной панели не используйте

- неразбавленные средства для мытья посуды или для посудомоечных машин,
- чистящие средства, содержащие большой процент спирта,
- металлические губки,
- едкие чистящие средства, например, для очистки духовок или пятновыводители,
- Не используйте едкие или абразивные чистящие средства.
- Не мойте детали в посудомоечной машине.

Новые губки перед первым использованием необходимо тщательно вымыть.

Поверхности из нержавеющей стали* (в зависимости от типа прибора)

Очищайте мягкой тряпочкой со средством для нержавеющей стали. Всегда протирайте поверхности из нержавеющей стали параллельно их текстуре. В противном случае могут появиться царапины. Вытрите насухо мягким полотенцем. Сразу же удаляйте накипь, пятна жира, крахмала и яичного белка. Для очистки не подходят агрессивные чистящие средства, царапающие губки или салфетки из грубого материала. Стальные поверхности прибора очищайте с помощью специального средства. Соблюдайте указания производителя. Специальные средства для очистки изделий из нержавеющей стали можно приобрести в сервисной службе или в специализированном магазине.

Эмалированные, покрытые лаком или шелкографной печатью поверхности* (в зависимости от типа прибора)

Протрите мягкой тряпочкой с тёплым мыльным раствором. Вытрите насухо мягким полотенцем.

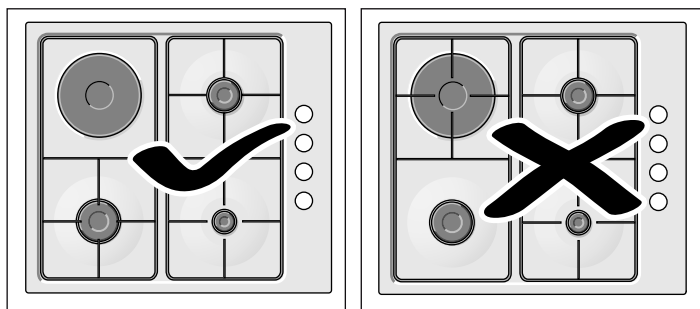
* в виде опции (доступно у некоторых приборов, в зависимости от типа прибора)

Газовая конфорка и стальная решётка	Запрещается мыть в посудомоечной машине. Снимите стальную решётку и очистите её с помощью губки, смоченной в тёплой воде с добавлением моющего средства. Снимите корпус и крышку горелки. Для очистки используйте губку, смоченную в тёплой воде с добавлением моющего средства. Следите за тем, чтобы отверстия для выхода газа в корпусе горелки оставались чистыми и не были засорены. Очищайте свечу поджига небольшой мягкой щёткой. Газовые горелки функционируют только в том случае, если свечи поджига чистые. Удалите остатки пищи, попавшие внутрь корпуса горелки, с помощью тряпочки и небольшого количества тёплого мыльного раствора. Старайтесь использовать небольшое количество воды, чтобы она не попала внутрь. Следите за тем, чтобы во время очистки не засорить и не повредить отверстие форсунки. Все детали конфорки после очистки необходимо вытереть насухо и установить крышки горелок точно на корпусах горелок. Неправильно установленные детали затрудняют поджиг горелки. Установите стальную решётку на место. Для очистки стальных решёток рекомендуется использовать специальные чистящие средства, которые можно приобрести в сервисной службе или в специализированных магазинах.
Стеклопанель* (в зависимости от типа прибора)	Уход: используйте специальное средство для очистки и защиты стекла. Очистка: чистящее средство для стёкол. Соблюдайте указания по очистке, приведённые на упаковке. ⚠ Скребок для стеклянных поверхностей при сильном загрязнении: откройте лезвие и удалите загрязнения с его помощью. Внимание, лезвие очень острое. Опасность травмирования. После очистки снова закройте лезвие. Повреждённое лезвие немедленно замените.
Электрическая варочная панель* (в зависимости от типа прибора)	Очищайте жёсткой стороной чистящей губки с небольшим количеством жидкого чистящего средства. После очистки ненадолго включите конфорку для просушки. Влажные конфорки со временем ржавеют. В завершение нанесите специальное средство для ухода. Всегда немедленно удаляйте сбежавшие жидкости и остатки пищи.
Металлическое кольцо конфорки* (в зависимости от типа прибора)	Металлический нагревательный элемент конфорки со временем может изменить цвет. Однако первоначальный цвет можно восстановить. Очищайте элемент жёсткой стороной чистящей губки с небольшим количеством жидкого чистящего средства, стараясь не трогать прилегающие поверхности, иначе их можно повредить. Специальные чистящие средства для очистки металлического кольца электрической конфорки можно приобрести в сервисной службе или в специализированных магазинах.
Поворотные переключатели	Протрите мягкой тряпочкой с тёплым мыльным раствором. Вытрите насухо мягким полотенцем.
Принадлежности	Замочите в тёплом мыльном растворе. Очистите с помощью неметаллической щётки или губки.
Верхняя стеклянная крышка* (в зависимости от типа прибора)	Средство для очистки стёкол: очистите с помощью мягкой тряпочки. Для очистки верхнюю стеклянную крышку можно снять. Для этого см. главу Верхняя стеклянная крышка!

* в виде опции (доступно у некоторых приборов, в зависимости от типа прибора)

Будьте осторожны при промывании решеток, на которых установлены резиновые прокладки. Прокладки могут слететь, и тогда решетка поцарапает варочную панель.

Следите за тем, чтобы после очистки и просушки стальная решетка была правильно установлена.



Уход

Если на варочную панель пролилась какая-то жидкость, сразу вытрите ее. Таким образом можно избежать прилипания остатков пищи и впоследствии сэкономить усилия по очистке панели.

Каждый раз после использования протрите поверхность деталей горелки после того, как она остынет. Даже небольшие загрязнения (пригоревшие продукты, капли жира и т. п.) при повторном нагревании запекутся на поверхности, и потом их будет трудно удалить. Чтобы пламя горело ровно, необходимо содержать в чистоте все отверстия и прорези горелки.

От передвижения некоторых видов посуды на решетках могут оставаться металлические следы.

Горелки и решетки следует мыть водой с мылом с помощью неметаллической щетки.

Не мойте детали в посудомоечной машине.

Всегда досуха протирайте детали горелок и решетки. Наличие на них капель воды или влажных участков в начале процесса нагревания может повредить эмаль.

Внимание!

Моющее средство для очистки нержавеющей стали нельзя использовать для мытья участка варочной панели вокруг ручек управления. Это может привести к стиранию символов, нанесенных с помощью трафаретной печати.

Немедленно удаляйте пролитое масло и жидкости, содержащие кислоту, например лимонный сок.

Ни в коем случае не используйте для очистки панели управления абразивные чистящие порошки. Это может стать причиной появления царапин на надписях.

Крышки горелок покрыты чёрной эмалью. Из-за высоких температур эмаль может изменить цвет. Это не оказывает отрицательного влияния на функционирование горелки.

Устранение неполадок

Иногда возникающие неполадки легко устранить самостоятельно. Перед тем, как обратиться в сервисный центр, ознакомьтесь с данными рекомендациями:

Неполадка	Возможная причина	Решение
Общий сбой электросистемы.	Неисправный предохранитель.	Проверьте предохранитель на щитке предохранителей и замените его в случае неисправности.
	Сработал автоматический предохранитель или дифференциальный выключатель.	Проверьте, не сработал ли автоматический предохранитель или дифференциальный выключатель на электрощите.
Не работает автоматический поджиг.	Возможно, между свечами и горелками накопились остатки продуктов или мощных средств.	Пространство между свечой и горелкой должно содержаться в чистоте.
	Горелки мокрые.	Насухо вытрите крышки горелок.
	Плохо установлены крышки горелок.	Убедитесь, что крышки правильно установлены.
	Прибор незаземлен, неправильно заземлен или заземляющий провод неисправен.	Свяжитесь с квалифицированным электриком.
Пламя неравномерное.	Плохо установлены детали горелок.	Правильно установите крышки на соответствующие горелки.
	Отверстия горелки загрязнены.	Очистите отверстия горелки.
Газ не выходит или выходит неравномерно.	Подача газа перекрыта промежуточными вентилями.	Откройте промежуточные вентили, если они имеются.
	Если газ подается из баллона, проверьте, не пуст ли он.	Смените газовый баллон.
В кухне пахнет газом.	Открыт кран какой-то конфорки.	Закройте краны конфорок.
	Плохо подсоединен газовый баллон.	Проверьте, герметично ли подсоединен баллон.
	Возможно, происходит утечка газа.	Перекройте главный газовый вентиль, проветрите помещение и срочно свяжитесь с квалифицированным специалистом, имеющим право на проведение проверки и сертификацию систем газоснабжения. Не используйте прибор, пока не будет проведена проверка наличия утечки газа из системы газоснабжения или самого прибора.
Сразу после отпускания ручки пламя на конфорке гаснет.	Ручка не была удержана в нажатом состоянии в течение нужного времени.	После зажигания пламени удержите ручку в нажатом состоянии в течение еще нескольких секунд.
	Отверстия горелки загрязнены.	Очистите отверстия горелки.

Сервисная служба

Если ваш прибор нуждается в ремонте, наша сервисная служба всегда к вашим услугам. Мы всегда стараемся найти подходящее решение, чтобы избежать в том числе ненужных вызовов специалистов.

Номер E и номер FD

При обращении в Сервисную службу в целях ускорения процесса назовите номер изделия (номер E) и заводской номер (номер FD). Фирменная табличка с номерами расположена на нижней стороне плиты. Чтобы долго не искать ее в случае неисправности, можно записать данные прибора и номера телефонов Сервисной службы прямо здесь.

Номер E	Номер FD
Сервисная служба ☎	

Помните, что даже во время гарантийного срока расходы на сервисное обслуживание и ремонт неисправностей, вызванных неправильным использованием, несет владелец.

Заявка на ремонт и консультация при неполадках

Контактные данные всех стран Вы найдёте в приложенном списке сервисных центров.

Положитесь на компетентность изготовителя. Тогда Вы можете быть уверены, что ремонт Вашего прибора будет произведён грамотными специалистами и с использованием фирменных запасных частей.


Условия гарантийного обслуживания

Если, вопреки нашим ожиданиям, данный электроприбор поврежден или не отвечает предъявляемым к нему требованиям качества, просим сообщить нам об этом как можно скорее. Гарантия на данный прибор действительна только в случае, если в приборе не производилось никаких изменений и он не использовался ненадлежащим образом.

Условия гарантийного обслуживания данного прибора определяются представительством нашей компании в стране, где была произведена покупка. Более подробную информацию вы можете получить в магазинах. Чтобы воспользоваться гарантией, необходимо предъявить торговый чек.

Производитель оставляет за собой право на внесение изменений.

Упаковка и используемое оборудование

Если на упаковке прибора имеется перечеркнутое изображение мусорного бака , необходимо соблюдать следующие указания.

Правильная утилизация упаковки

Утилизируйте упаковку с соблюдением правил экологической безопасности.



Данный прибор имеет отметку о соответствии европейским нормам 2012/19/EU утилизации электрических и электронных приборов (waste electrical and electronic equipment - WEEE).

Данные нормы определяют действующие на территории Евросоюза правила возврата и утилизации старых приборов.

Упаковка данного прибора произведена из минимального количества материалов, необходимого для обеспечения надежной защиты во время транспортировки. Все эти материалы могут быть повторно переработаны, что сокращает их негативное влияние на окружающую среду. Вы можете внести свой вклад в охрану природы, если последуете следующим советам:

- выбросите упаковку в соответствующий контейнер для материалов, подлежащих утилизации;
- прежде, чем выбросить ненужный прибор, сделайте его явно непригодным для использования; узнайте в местной администрации, где находится приемный пункт по сбору вторичного сырья, и отвезите туда свой прибор;
- не выливайте использованное растительное масло в раковину; вылейте его в закрывающуюся емкость и отнесите в приемный пункт, а если рядом с вашим домом такого пункта нет, положите емкость с маслом в мусорный контейнер (оттуда оно попадет на контролируруемую свалку; возможно, это не лучший вариант, но таким образом можно избежать загрязнения воды).

Рекомендации по экономии электроэнергии

- Всегда закрывайте кастрюли подходящей крышкой. В противном случае значительно возрастает расход электроэнергии. Стеклоянная крышка позволит вам наблюдать за приготовлением блюда даже в закрытой кастрюле.
- Используйте кастрюли и сковороды с плоским дном. Использование посуды с неровным дном может стать причиной повышенного расхода электроэнергии.
- Диаметр дна кастрюли или сковороды должен совпадать с размером конфорки. Использование посуды с диаметром дна меньше диаметра конфорки ведёт к потере электроэнергии. Помните: изготовители посуды часто указывают верхний диаметр, который, как правило, больше, чем диаметр дна.
- Для приготовления небольших объемов пищи используйте маленькую кастрюлю. При приготовлении в большой кастрюле расходуется много электроэнергии.
- При приготовлении пищи наливайте немного воды. Это экономит электроэнергию, а овощи сохраняют все содержащиеся в них витамины и минеральные вещества.
- Старайтесь, чтобы дно посуды закрывало как можно большую площадь конфорки.
- Своевременно переключайте конфорку на более низкую степень нагрева.
- Выбирайте подходящую степень слабого нагрева. При слишком высокой степени слабого нагрева напрасно расходуется много электроэнергии.
- Используйте остаточное тепло варочной панели. При длительном приготовлении можно выключать конфорку уже за 5-10 минут до истечения времени приготовления.

Во время транспортировки соблюдайте необходимые меры предосторожности.

Закрепляйте все подвижные внутренние и внешние части прибора клейкой лентой, которую потом можно полностью

удалить. Закрепите верхнюю защитную панель (при наличии) клейкой лентой на боковых стенках прибора.

Сохраняйте оригинальную упаковку прибора. Перевозите прибор только в оригинальной упаковке. Соблюдайте указания по транспортировке, имеющиеся на упаковке.

При утере оригинальной упаковки

Упакуйте прибор в специальную упаковку для транспортировки, чтобы обеспечить необходимую защиту от возможных повреждений

При транспортировке прибор должен находиться в горизонтальном положении, а конфорка и горелки должны быть обращены вверх. Не кладите тяжёлые предметы на прибор.







Robert Bosch Hausgeräte GmbH

Carl-Wery-Straße 34

81739 München

Germany

www.bosch-home.com



9001051147

03
060399