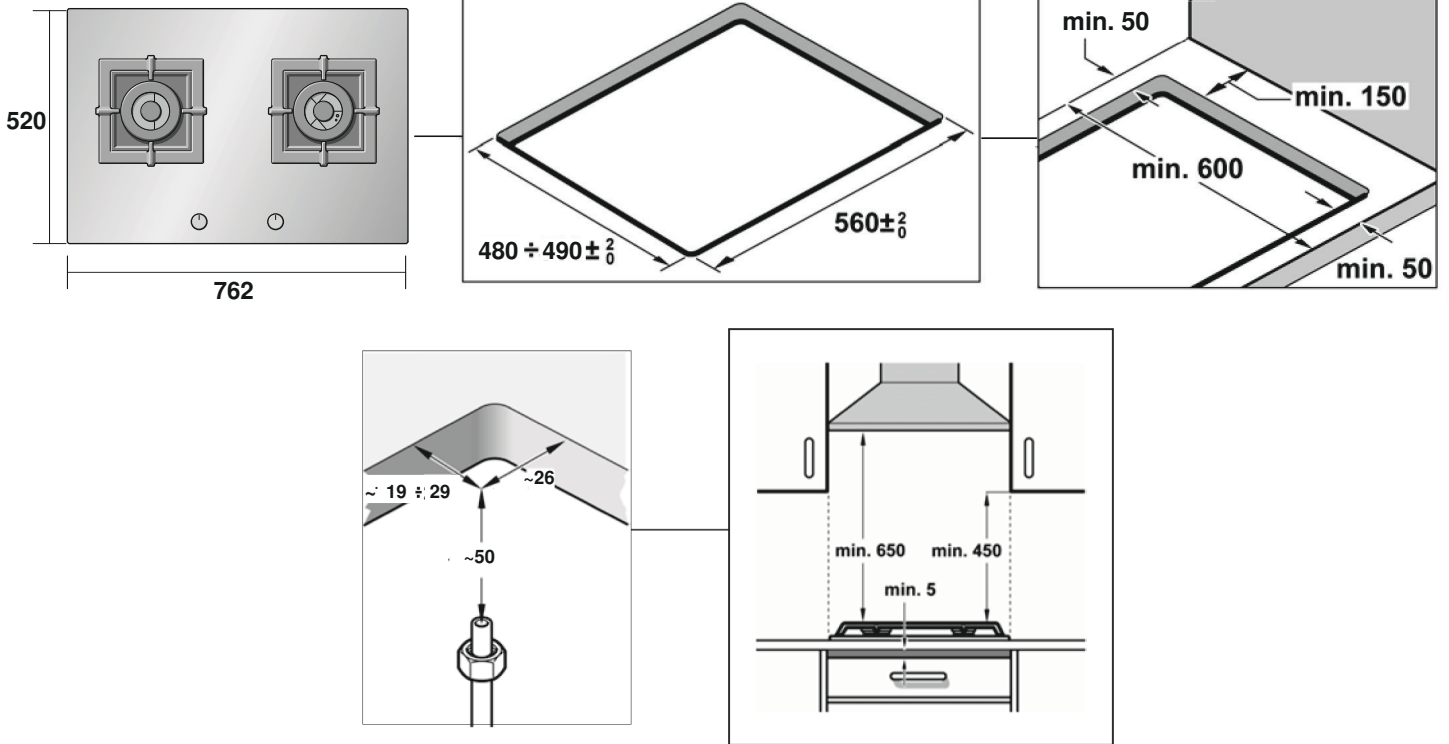
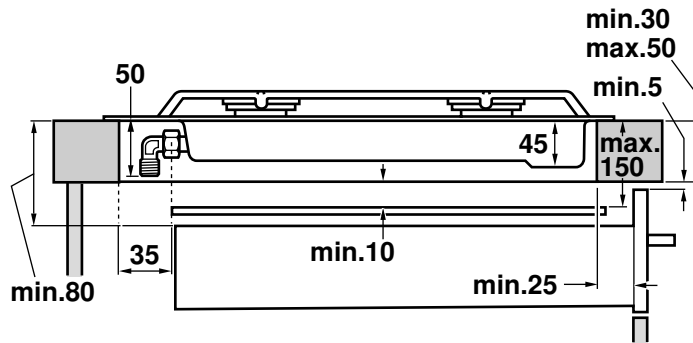




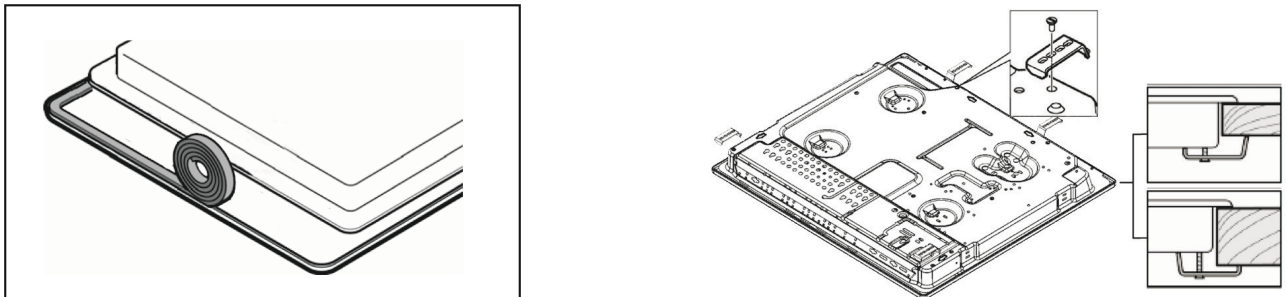
# 1



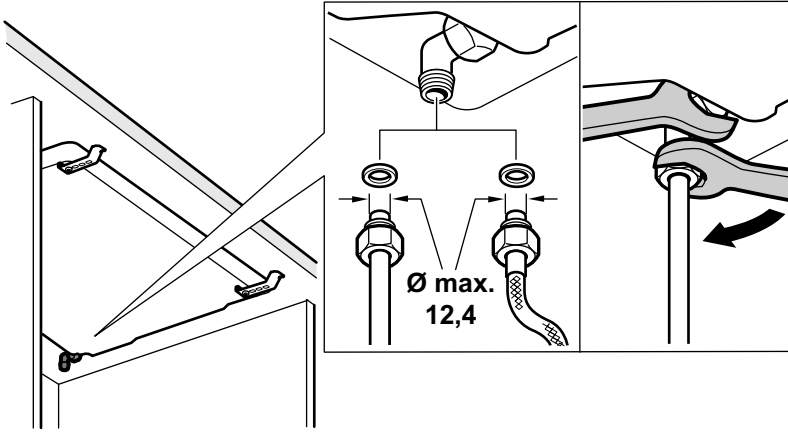
# 2



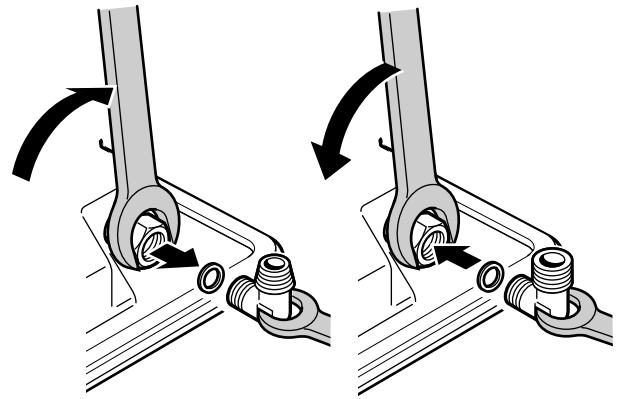
# 3



4



4a

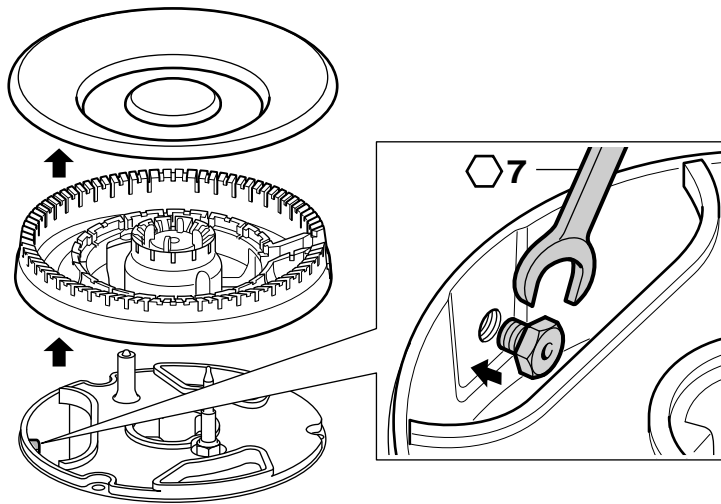


5

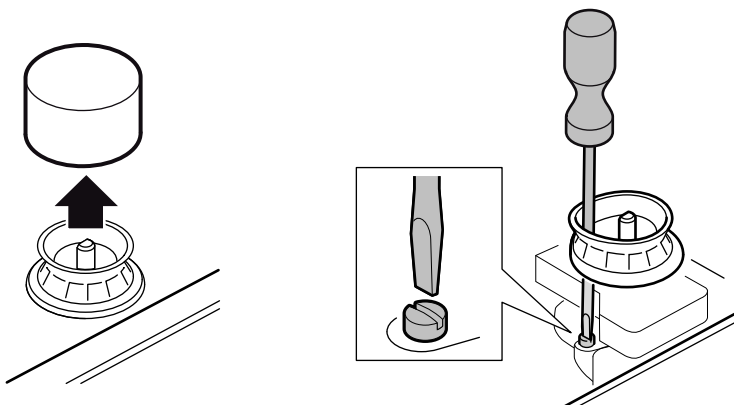
220V - 240V ~



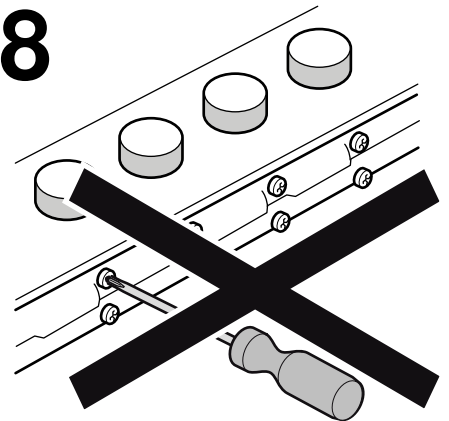
6



7



8



## Safety precautions

Read the appliance's instructions before installing and using. The images shown in these instructions are for guidance only.

**The manufacturer is exempt from all responsibility if the requirements of this manual are not complied with.**

This appliance must only be used in well ventilated places. It must not be connected to a combustion product removal device.

**All operations relating to installation, connection, regulation and conversion to other gas types must be carried out by an authorised installation engineer, respecting all applicable regulations, standards and the specifications of the local gas and electricity suppliers. Special attention shall be paid to ventilation regulations.**

**It is recommended you contact the Technical Assistance Service to change to another gas type.**

This appliance has been designed for home use only, not for commercial or professional use. This appliance cannot be installed on yachts or in caravans. The warranty will only be valid if the appliance is used for the purpose for which it was designed.

Before installing, you need to check that local distribution conditions are compatible with the appliance's adjustment indicated on the specifications plate (gas type and pressure, power, voltage).

**Before you begin, turn off the appliance's electricity and gas supply.**

The supply cable must be attached to the unit to prevent it from touching hot parts of the oven or hob.

Appliances with electrical supply must be earthed.

Do not tamper with the appliance's interior. If necessary, call our Technical Assistance Service.

## Before installing

This appliance is class 3 type, according to the EN 30-1-1 regulation for gas appliances: built-in appliance.

The kitchen unit in which the appliance is installed must be properly secured and stable.

The kitchen units next to the appliance, the laminated covering and glue for adhering it must be made of non-flammable and heat-resistant materials.

This appliance cannot be installed above fridges, washing machines, dishwashers or similar.

An oven must have forced ventilation to install a hob above it. Check the dimensions of the oven in the installation manual.

If an extractor fan is installed, you must follow the instructions in the installation manual, always respecting the minimum vertical distance from the hob (fig. 1).

## Preparation of the kitchen unit (fig. 1-2)

Make an appropriate size cut in the work surface.

If the hob is electric or mixed (gas and electricity) and there is no oven below, place a non-flammable separator (e.g. metal or plywood) 10 mm from the bottom of the hob. This will prevent access to the base of the hob. If the hob is gas, it is recommendable to place the separator at the same distance.

On wood work surfaces, varnish the cutting surfaces with a special glue. This protects them from moisture which could collect under the work surface.

## Installation of appliance (fig. 3)

Depending on the model, the adhesive seal may be factory-fitted. If this is the case, it should not be removed under any circumstances, since the adhesive seal prevents leaks. If the seal has not been factory-fitted, apply it to the underside of the hob.

Fitting the appliance onto the kitchen unit:

1. Remove the clips from the accessory bag and screw them into the position indicated so that they can turn freely.
2. Insert and centre the hob.
 

Press the sides of the hob until it is supported around its entire perimeter.
3. Turn the clips and tighten them fully.
 

The position of the clips depends on how thick the work surface is.

## Removal of hob

Turn off the appliance's electricity and gas supply. Unscrew the clips and proceed in the reverse order to installation.

## Gas connection (fig. 4)

The end of the inlet connection point of the gas hob has a 1/2" thread (20.955 mm) that allows for:

- A fixed connection.
- Connection using a flexible pipe (L min. 1 m - max. 3 m).

The watertight seal (034308) must be inserted between the manifold outlet and the gas supply.

You must prevent the pipe from coming into contact with moving parts of the kitchen unit (for example, a drawer) and prevent access to any spaces which might become obstructed.

**Do not move the L-tube** from the factory-fitted position, regardless of the connection type.

If you need to make a cylindrical connection, replace the factory-fitted L-tube with the one in the accessory bag. Fig. 4a.

Please remember to insert the seal.

### ⚠ Danger of leaks!

If any connection is handled, check the seal.

The manufacturer is not liable for any connection leaking, after being handled.

## Electric connection (fig. 5)

This appliance is type "Y": the supply cable can only be changed by the Technical Assistance Service and not the user. The cable type and minimum cross-section must be respected.

The hobs are supplied with a power cable with or without a wall socket plug.

Appliances with plugs must only be connected to sockets that have earth wires correctly installed.

Provide an omnipolar cut-off switch with a minimum contact opening of 3 mm (except for plug connections, if the user has access to it).

## Changing the gas type

If the country's regulations allow, this appliance can be adapted to other types of gas (see specifications plate). The components required for this are in the transformation kit supplied (depending on the model) or are available from our Technical Assistance Service.

**Important:** After finishing, stick the sticker, indicating the new gas type, close to the specifications plate.

The following steps should be taken:

### A) Changing the nozzles (fig. 6):

1. Remove the pan supports, burner caps and diffusers.
2. Change the nozzles using the spanner code 340808 provided by our Technical Assistance Service, see table I, taking special care to ensure that the nozzle does not fall when it is removed from or fitted to the burner.
 

Ensure that it is completely tightened in order to guarantee the seal.

Primary air adjustment is not necessary with these burners.

3. Position the diffusers and burner caps on the corresponding rings. The pan supports must also be correctly positioned in their fasteners.

### B) Adjusting the taps (Fig. 7):

1. Set the control knobs to minimum.
2. Remove the control knobs from the taps. It has a flexible rubber valve reinforcing ring. Press with the tip of the screwdriver to access the tap's adjusting screw.
 

**Never remove the valve reinforcing ring.** The valve reinforcing rings guarantee the watertightness of the appliance's interior from liquids and dirt, which might otherwise prevent its correct operation.

3. Adjust the minimum ring setting by turning the by-pass screw using a flat head screwdriver.

Depending on the gas to which your appliance is going to be adapted, see table II, carry out the corresponding action:

- A: firmly tighten the by-pass screws.  
 B: loosen the by-pass screws until the gas flow from the burners is correct.  
 C: the by-pass screws need to be changed by an authorised engineer.

D: do not touch the by-pass screws.

When adjusting the control knob between maximum and minimum, the burner does not go out, nor is there a flame backdraught created.

If the by-pass screw cannot be accessed, disassemble the grease drip tray, which is fitted to the hob with a series of screws. The following steps must be taken to remove it:

1. Remove all pan supports, burner caps, diffusers and control knobs.
2. Remove the screws from the burners.
3. To reinstall the appliance, proceed in the reverse order to disassembly.

Never remove the tap spindle (Fig. 8). In the event of a malfunction, change the whole tap.

## 中文版

### 安全注意事項

安裝與使用爐具前請先詳閱本說明。

本說明中的圖示僅供引導之用。

**若使用者未遵守本說明書要求，本公司恕不負責。**

爐具僅可在通風良好處使用。爐具不可連接可燃品移除設備。

**所有安裝，連接，調整和轉換至其他類型瓦斯之相關作業，皆須由經授權的安裝工程師進行操作，遵守所有適用法規、標準和當地瓦斯及電力供應商的規格。應特別注意通風法規。**

**欲變更瓦斯類型時，建議您先與技術協助服務聯絡。**本爐具的設計為僅供家用，非供商業或專業使用。本爐具不可安裝於遊艇或露營車中。保固僅在按爐具設計目的加以使用時有效。

安裝前，請先行確認當地配管條件適用於規格標示板上所載明的爐具調整內容。(瓦斯類型與壓力、電力、電壓)。

**開始使用前，請先關閉爐具電源與瓦斯供應。**

供應管線必須裝置在組件上，避免管線接觸爐具或爐台的發熱零件。

具有電力供應的爐具必須接地。

請勿更改爐具內裝。如有必要，請聯絡本公司技術協助部門。

#### 安裝之前

根據 EN 30-1-1 瓦斯爐具法規：內建式爐具規定，本爐具屬第三類爐具。

爐具安放處的廚具必須穩妥牢固且固定平穩。

鄰接爐具、表面覆有塗層和黏膠的廚具，必須為不可燃且耐熱材質。

本爐具不可安裝於冰箱、洗衣機、洗碗機或類似器具上。

欲在烤箱上方安裝爐台，則烤箱必須具有強制通風裝置。請確認安裝手冊中所載的烤箱尺寸。

若有安裝排油煙機，您必須遵照安裝手冊中的指示，讓排油煙機和爐台永遠保持最小垂直距離 (圖 1)。

#### 廚具的準備 (圖 1-2)

整理出尺寸合宜的工作檯面。

若爐台為電力式或混合式 (瓦斯與電力) 且下方無烤箱，請在從爐台底部算起的 10 mm 處放置不可燃隔板 (例如金屬或膠合板)。如此可避免接觸到爐台底。若爐台為瓦斯式，建議於相同的距離處放置隔板。若工作檯面為木製，請於裁切表面塗上一層特殊黏著劑。如此可保護其不受可能聚集在工作檯面下方的濕氣所影響。

#### 安裝爐具 (圖 3)

依據爐具款型不同，爐具上可能貼有原廠黏著密封墊。如有原廠密封墊，任何狀況下皆不應將其除去，因為黏著密封墊可防止滲漏。若無原廠密封墊，請將爐具裝在爐台底面。

將爐具裝設在廚具上：

1. 將螺絲從配件包中拿出，鎖入指示位置，令其可自由轉動。
2. 插入並將爐台放在中間。  
壓住爐台的側邊，直到爐台能夠支撐爐具的整個周邊。
3. 轉動螺絲，完全鎖緊。  
螺絲的位置依工作檯面厚度而定。

#### 移除爐台

關閉爐具的電源和瓦斯供應。按安裝時的相反方向轉開螺絲。

#### 連接瓦斯 (圖 4)

瓦斯爐台入氣連接點的終端具有 1/2 吋的螺紋，可：

- 固定接管。
- 接管請使用可折曲的軟管 (長度最少 1 公尺，最多 3 公尺)。

必須將爐具提供的防水密封墊 (034308) 插入歧管出口和瓦斯供應之間。

您必須避免管線在進出取物時和廚具的移動部分接觸 (例如抽屜)，且避免對空間造成任何阻礙。

無論接管類型為何，**請勿將 L 管移離**原廠位置。

若您需進行圓柱形連接，請用配件袋中的柱管取代 L 型管。如圖 4a 所示。請記得要插入密封墊。

#### ⚠ 外洩危險！

處理任何接管事宜時，請檢查密封墊是否安置妥當。處理完成後，製造商將不為任何接管外洩問題而負責。

#### 電力連接 (圖 5)

本爐具為「Y」型：電源僅能由技術協助服務人員更換，而非使用者。使用者須遵管型和最小橫斷面規定行事。爐台附有可能可插或不可插牆壁插座插頭的電力管線。

具插頭的管線必須插入具有正確安裝接地線的插座。提供具有最小接觸開口為 3mm 的全極斷電開關 (除供插頭連接以外，亦針對使用者須接觸開關之便)。

#### 變更瓦斯類型

若國家法規許可，本爐具可採用其他類型的瓦斯 (詳情請見規格板所載)。爐具提供不同的燃氣噴嘴 (按樣式而定)，通知本公司服務部進行更換。

**重要事項：**完成變更後，請在靠近規格板處貼上貼紙，說明新瓦斯類型。

#### A) 更換瓦斯噴嘴 (圖 6)：

1. 取下平底鍋爐架、爐心和爐心上蓋。
2. 使用 7mm 扳手及 7mm 套筒卸下原噴嘴，將新噴嘴確實鎖緊密合，即完成換裝。不同燃氣使用的噴嘴請見表 1，特別注意，須確保噴嘴不會在裝到燃燒器上時掉落。  
確定噴嘴完全鎖緊，以保障密封無虞。  
這些燃燒器無需進行基本空氣調整。
3. 將平底鍋爐架、爐心和爐心上蓋依序裝回原來位置。爐架必須相對放入其緊固裝置中。

#### B) 調整瓦斯閥 (圖 7)：

1. 將控制旋鈕設定成最小。
2. 把控制旋鈕從瓦斯閥上取下。其有一彈性橡膠閥加固環。用螺絲起子的尖端壓住，轉下瓦斯閥的調整螺絲。

**絕對不要取下閥門加固環。**閥門加固環可保證爐具內部的防水性，讓可能妨礙爐具正確運作的液體和灰塵不至於侵入。

3. 用一字螺絲起子轉動旁通管螺絲，調整最小程度的環設定。

依據爐具將採用的瓦斯種類執行對應動作，瓦斯類型請見表 2：




- A：鎖緊旁通管螺絲。
- B：鬆開旁通管螺絲直到從燃燒器流出的瓦斯正確為止。
- C：旁通管螺絲需要由經授權工程師進行更換。
- D：請勿觸摸旁通管。

在最大和最小火之間調整控制旋鈕時，燃燒器不會熄滅，也不會產生火焰爆燃。

若無法觸及旁通管螺絲，請把藉由一整組螺絲而組裝在爐台上的湯汁盤拆下。請按下列步驟取下湯汁盤：

1. 取下所有爐架、燃燒器蓋、擴散器和控制旋鈕。
2. 從燃燒器上取下螺絲。
3. 按照拆解的相反順序，重新安裝爐具。

**絕對不要取下閥門旋軸 (圖 8)。**若功能故障，請更換整組閥門。

	GAS	mbar		Qn (Kw)	m3/h	g/h		Qr (kW)
	G20	15	165	4,00	0,381	-	55	≤ 1,55
	G30	29	100	4,00	-	290	55	≤ 1,55
	G31	37	100	4,00	-	285	55	≤ 1,55

	G20/15	G30/29	G31/37
G20/15		A	A
G30/29	B		D
G31/37	B	D	