



**GSN..**



**BOSCH**

en Instruction for Use  
ar دليل الاستخدام

fr Mode d'emploi  
fa راهنمای استفاده

---

## en Table of Contents

Safety and warning information .....	3	Freezing fresh food .....	11
Information concerning disposal .....	5	Super freezing .....	12
Scope of delivery .....	5	Thawing frozen food .....	12
Ambient temperature and ventilation .....	6	Interior fittings .....	12
Connecting the appliance .....	6	Switching off and disconnecting the appliance .....	13
Getting to know your appliance .....	7	Defrosting .....	14
Switching the appliance on .....	8	Cleaning the appliance .....	14
Setting the temperature .....	8	Light (LED) .....	14
Alarm function .....	8	Tips for saving energy .....	15
Usable capacity .....	9	Operating noises .....	15
Freezer compartment .....	10	Eliminating minor faults yourself .....	16
Max. freezing capacity .....	10	Appliance self-test .....	18
Freezing and storing food .....	10	Customer service .....	18

---

## fr Table des matières

Consignes de sécurité et avertissements .....	19	Congélation et rangement .....	28
Conseil pour la mise au rebut .....	21	Congélation de produits frais .....	28
Étendue des fournitures .....	22	Supercongélation .....	29
Contrôler la température ambiante et l'aération .....	22	Décongélation des produits .....	30
Branchement de l'appareil .....	23	Équipement .....	30
Présentation de l'appareil .....	24	Arrêt et remisage de l'appareil .....	31
Enclenchement de l'appareil .....	25	Si vous dégivrez l'appareil .....	32
Réglage de la température .....	25	Nettoyage de l'appareil .....	32
Fonction alarme .....	25	Éclairage (LED) .....	32
Contenance utile .....	27	Economies d'énergie .....	33
Le compartiment congélateur .....	27	Bruits de fonctionnement .....	33
Capacité de congélation maximale .....	27	Remédier soi même aux petites pannes .....	34
		Autodiagnostic de l'appareil .....	36
		Service après-vente .....	36

---

## Safety and warning information

### Before you switch ON the appliance

Please read the operating and installation instructions carefully! They contain important information on how to install, use and maintain the appliance.

The manufacturer is not liable if you fail to comply with the instructions and warnings. Retain all documents for subsequent use or for the next owner.

### Technical safety

This appliance contains a small quantity of environmentally-friendly but flammable R600a refrigerant. Ensure that the tubing of the refrigerant circuit is not damaged during transportation and installation. Leaking refrigerant may cause eye injuries or ignite.

If damage has occurred

- Keep naked flames and/or ignition sources away from the appliance,
- thoroughly ventilate the room for several minutes,
- switch off the appliance and pull out the mains plug,
- inform customer service.

The more refrigerant an appliance contains, the larger the room must be in which the appliance is situated. Leaking refrigerant can form a flammable gas-air mixture in rooms which are too small. The room must be at least 1 m<sup>3</sup> per 8 g of refrigerant. The amount of refrigerant in your appliance is indicated on the rating plate inside the appliance.

If the power cord of this appliance is damaged, it must be replaced by the manufacturer, customer service or a similarly qualified person. Improper installations and repairs may put the user at considerable risk.

Repairs may be performed by the manufacturer, customer service or a similarly qualified person only.

Only original parts supplied by the manufacturer may be used. The manufacturer guarantees that only these parts satisfy the safety requirements.

A extension cable may be purchased from customer service only.

## Important information when using the appliance

- Never use electrical appliances inside the appliance (e.g. heater, electric ice maker, etc.).  
Risk of explosion!
- Never use a steam cleaner to defrost or clean the appliance! The steam may penetrate electrical parts and cause a short-circuit.  
Risk of electric shock!
- Do not use pointed or sharp-edged implements to remove frost or layers of ice. You could damage the refrigerant tubing. Leaking refrigerant may ignite or cause eye injuries.
- Do not store products which contain flammable propellants (e.g. spray cans) or explosive substances in the appliance.  
Risk of explosion!
- Do not stand or support yourself on the base, drawers or doors, etc.
- Before defrosting and cleaning the appliance, pull out the mains plug or switch off the fuse. Do not pull out the mains plug by tugging the cable.
- Bottles which contain a high percentage of alcohol must be sealed and stored in an upright position.
- Keep plastic parts and the door seal free of oil and grease. Otherwise, parts and door seal will become porous.
- Never cover or block the ventilation openings for the appliance.
- People (children incl.) who have limited physical, sensory or mental abilities or inadequate knowledge must not use this appliance unless they are supervised or given meticulous instructions.

- Do not store bottled or canned drinks (especially carbonated drinks) in the freezer compartment. Bottles and cans may explode!
- Never put frozen food straight from the freezer compartment into your mouth.  
Risk of low-temperature burns!
- Avoid prolonged touching of frozen food, ice or the evaporator pipes, etc.  
Risk of low-temperature burns!

## Children in the household

- Keep children away from packaging and its parts.  
Danger of suffocation from folding cartons and plastic film!
- Do not allow children to play with the appliance!
- If the appliance features a lock: keep the key out of the reach of children!

## General regulations

The appliance is suitable

- for freezing food,
- for making ice.

This appliance is intended for use in the home and the home environment.

The appliance is suppressed according to EU Directive 2004/108/EC.

The refrigeration circuit has been checked for leaks.

This product complies with the relevant safety regulations for electrical appliances (EN 60335-2-24).

---

## Information concerning disposal

### Disposal of packaging

The packaging protects your appliance from damage during transit. All utilised materials are environmentally safe and recyclable. Please help us by disposing of the packaging in an environmentally friendly manner.

Please ask your dealer or inquire at your local authority about current means of disposal.

### Disposal of your old appliance

Old appliances are not worthless rubbish! Valuable raw materials can be reclaimed by recycling old appliances.



This appliance is identified according to the European guideline 2002/96/EC on waste electrical and electronic equipment – WEEE. The directive specifies the framework for an EU-wide valid return and re-use of old appliances.

### Warning

Redundant appliances

1. Pull out the mains plug.
2. Cut off the power cord and discard with the mains plug.
3. Do not take out the trays and receptacles: children are therefore prevented from climbing in!
4. Do not allow children to play with the appliance once it has spent its useful life. Danger of suffocation!

Refrigerators contain refrigerant and gases in the insulation. Refrigerant and gases must be disposed of professionally. Ensure that tubing of the refrigerant circuit is not damaged prior to proper disposal.

---

## Scope of delivery

After unpacking all parts, check for any damage in transit.

If you have any complaints, please contact the dealer from whom you purchased the appliance or our customer service.

The delivery consists of the following parts:

- Free-standing appliance
- Bag containing installation materials
- Interior fittings (depending on model)
- Operating instructions
- Installation manual
- Customer service booklet
- Warranty enclosure
- Information on the energy consumption and noises

## Ambient temperature and ventilation

### Ambient temperature

The appliance is designed for a specific climate class. Depending on the climate class, the appliance can be operated at the following temperatures.

The climate class can be found on the rating plate. Fig. **11**

Climate class	Permitted ambient temperature
<b>SN</b>	+10 °C to 32 °C
<b>N</b>	+16 °C to 32 °C
<b>ST</b>	+16 °C to 38 °C
<b>T</b>	+16 °C to 43 °C

### Note

The appliance is fully functional within the room temperature limits of the indicated climatic class. If an appliance of climatic class SN is operated at colder room temperatures, the appliance will not be damaged up to a temperature of +5 °C.

### Ventilation

Fig. **3**

The air on the rear panel of the appliance heats up.

Conduction of the heated air must not be obstructed. Otherwise, the refrigerating unit must work harder. This increases power consumption. Therefore: Never cover or block the ventilation openings!

## Connecting the appliance

After installing the appliance, wait at least 1 hour until the appliance is switched on. During transportation the oil in the compressor may have flowed into the refrigeration system.

Before switching on the appliance for the first time, clean the interior of the appliance (see chapter “Cleaning the appliance”).

### Electrical connection

The socket must be near the appliance and also freely accessible following installation of the appliance.

The appliance complies with the protection class I. Connect the appliance to 220–240 V/50 Hz alternating current via a correctly installed socket with protective conductor. The socket must be fused with a 10 to 16 A fuse.

For appliances operated in non-European countries, check whether the stated voltage and current type match the values of your mains supply match the values of the mains supply. This information can be found on the rating plate. Fig. **11**

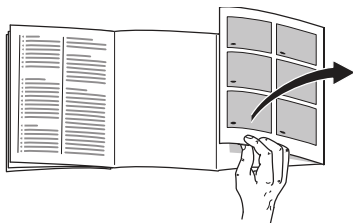


### Warning

Never connect the appliance to electronic energy saver plugs.

Our appliances can be used with mains and sine-controlled inverters. Mains-controlled inverters are used for photovoltaic systems which are connected directly to the national grid. Sine-controlled inverters must be used for isolated applications (e.g. on ships or in mountain lodges) which are not connected directly to the national grid.

## Getting to know your appliance



Please fold out the illustrated last page. These operating instructions refer to several models.

The features of the models may vary.

The diagrams may differ.

Fig. 1

\* Not all models.

- 1-5 Controls
- 6 Light (LED)
- 7 No Frost System
- 8 Freezer compartment flap
- 9 Glass shelf
- 10 Ice maker/Ice cube container
- 11 Frozen food container (small)
- 12 Frozen food container (large)
- 13 Height-adjustable feet
- 14 Ice pack \*
- 15 Freezer calendar
- 16 Door ventilation

## Controls

Fig. 2

- 1 **On/Off button**  
Serves to switch the whole appliance on and off.
- 2 **“super” button**  
Switches super freezing on and off.  
Illuminates when super freezing is on.
- 3 **Temperature selection button**  
The required temperature is set with this button.
- 4 **Temperature display**  
Indicates the set temperature of the freezer compartment.
- 5 **Alarm button**  
Used to switch off the warning signal, see chapter “Alarm function”.

---

## Switching the appliance on

Fig. 2

Switch on the appliance with the On/Off button 1.

A warning signal sounds.  
The temperature display 4 flashes and the alarm button 5 is lit.

Press the alarm button 5.  
The warning signal switches off.

When the freezer compartment has reached the set temperature, the temperature display 4 is lit.

## Operating tips

- After the appliance has been switched on, it may take several hours until the set temperature has been reached. Do not put any food in the appliance beforehand.
- The fully automatic No Frost system ensures that the freezer compartment remains free of ice. Defrosting is not required.
- The sides of the housing are sometimes heated slightly. This prevents condensation in the area of the door seal.
- If the freezer compartment door cannot be immediately re-opened after it has been closed, wait until the resulting low pressure has equalised.

---

## Setting the temperature

Fig. 2

### Freezer compartment

The temperature can be set from -16 °C to -26 °C.

Keep pressing temperature setting button 3 until the required freezer compartment temperature is set.

The value last selected is saved. The set temperature is indicated on display 4.

We recommend a factory setting of -18 °C in the freezer compartment.

---

## Alarm function

In the following cases an alarm may be actuated.

### Door alarm

The door alarm (continuous sound) switches on if the appliance door is open for longer than one minute. Close the door to switch off the warning signal.

### Thaw alarm

When the alarm button 5 is pressed, the display indicates for five seconds the warmest temperature reached in the freezer compartment. Then this value is deleted.

The display 4 indicates the set freezer compartment temperature without flashing.

Henceforth the “warmest temperature” will be redefined and saved.



## Temperature alarm

The temperature alarm switches on if the freezer compartment is too warm and the frozen food is at risk of thawing.

The temperature display 4 flashes and the alarm button 5 is lit.

The alarm may switch on without any risk to the frozen food:

- when the appliance is switched on,
- when large quantities of fresh food are placed in the appliance,
- if the freezer compartment door is open too long.

## Power failure alarm

Fig. 2

The power failure alarm switches on if the freezer or refrigerator compartment is too warm due to a power failure and the food is at risk of thawing.

The alarm button 5 is lit and "PI" appears on the temperature display 4.

### Note

Do not refreeze thawing or thawed food. Only ready meals (boiled or fried) may be refrozen.

No longer store the frozen produce for the max. storage period.

## Switching off the alarm

Fig. 2

Press the alarm button 5 to switch off the warning signal.

---

## Usable capacity

Information on the usable capacity can be found inside your appliance on the rating plate. Fig. 11

## Fully utilising the freezer volume

The maximum amount of food can be placed in the freezer by removing several fittings. The food can be stacked directly on the shelves.

### Note

To comply with the values indicated on the rating plate, the fitting at the very top should remain in the appliance.

## Removing the fittings

- Pull out the frozen food container all the way, lift at the front and remove. Fig. 4
- Freezer compartment flap
  - Fig. 5
  - 1. Open freezer compartment flap halfway,
  - 2. detach holder from one side of the appliance,
  - 3. pull freezer compartment flap forwards and remove from the holder,
  - 4. detach holder from the other side of the appliance.
- If appliances feature an ice maker, the latter can be taken out. Fig. 6

---

## Freezer compartment

### Use the freezer compartment

- To store deep-frozen food.
- To make ice cubes.
- To freeze food.

#### Note

Ensure that the freezer compartment door has been closed properly. If the door is open, the frozen food will thaw. The freezer compartment will become covered in thick ice. Also: waste of energy due to high power consumption!

---

## Max. freezing capacity

Information about the max. freezing capacity within 24 hours can be found on the rating plate. Fig. **11**

---

## Freezing and storing food

### Purchasing frozen food

- Packaging must not be damaged.
- Use by the “use by” date.
- Temperature in the supermarket freezer must be  $-18\text{ }^{\circ}\text{C}$  or lower.
- If possible, transport deep-frozen food in an insulated bag and place quickly in the freezer compartment.

### Note when loading products

- Preferably freeze large quantities of food in the top compartment, where food freezes particularly quickly and therefore also gently.
- Do not cover the ventilation slots on the rear panel with frozen food.
- Place the food over the whole area of the compartments or in the frozen food container.

#### Note

Food which is already frozen must not come into contact with the food which is to be frozen. If required, move the frozen food to the frozen food container.

- To ensure air circulation in the appliance, insert frozen food container all the way.

## Freezing fresh food

Freeze fresh and undamaged food only.

To retain the best possible nutritional value, flavour and colour, vegetables should be blanched before freezing. Aubergines, peppers, zucchini and asparagus do not require blanching.

Literature on freezing and blanching can be found in bookshops.

### Note

Keep food which is to be frozen away from food which is already frozen.

- The following foods are suitable for freezing:  
Cakes and pastries, fish and seafood, meat, game, poultry, vegetables, fruit, herbs, eggs without shells, dairy products such as cheese, butter and quark, ready meals and leftovers such as soups, stews, cooked meat and fish, potato dishes, soufflés and desserts.
- The following foods are not suitable for freezing:  
Types of vegetables, which are usually consumed raw, such as lettuce or radishes, eggs in shells, grapes, whole apples, pears and peaches, hard-boiled eggs, yoghurt, soured milk, sour cream, crème fraîche and mayonnaise.

## Packing frozen food

To prevent food from losing its flavour or drying out, place in airtight containers.

1. Place food in packaging.
2. Remove air.
3. Seal the wrapping.
4. Label packaging with contents and date of freezing.

### Suitable packaging:

Plastic film, tubular film made of polyethylene, aluminium foil, freezer containers.

These products are available from specialist outlets.

### Unsuitable packaging:

Wrapping paper, greaseproof paper, cellophane, bin liners and used shopping bags.

### Items suitable for sealing packaged food:

Rubber bands, plastic clips, string, cold-resistant adhesive tape, etc.

Bags and tubular film made of polyethylene can be sealed with a film heat sealer.

## Shelf life of frozen food

Storage duration depends on the type of food.

At a temperature of -18 °C:

- Fish, sausage, ready meals and cakes and pastries:  
up to 6 months
- Cheese, poultry and meat:  
up to 8 months
- Vegetables and fruit:  
up to 12 months

---

## Super freezing

Food should be frozen solid as quickly as possible in order to retain vitamins, nutritional value, appearance and flavour.

Several hours before placing fresh food in the freezer compartment, switch on super freezing to prevent an unwanted temperature rise.

This appliance runs constantly and the freezer compartment drops to a very low temperature.

If the max. freezing capacity is to be used, super freezing must be switched on for 24 hours before the fresh produce is placed in the freezer compartment.

Smaller quantities of food (up to 2 kg) can be frozen without “super freezing”.

### Note

When super freezing is switched on, increased operating noises may occur.

## Switching on and off

Fig. **2**

Press “super” button 2.

If the super freezing has been switched on the button is lit.

Super freezing automatically switches off after approx. 2½ days.

---

## Thawing frozen food

Depending on the type and application, select one of the following options:

- at room temperature,
- in the refrigerator,
- in an electric oven, with/without fan assisted hot-air,
- in the microwave.



### Caution

Do not refreeze thawing or thawed food. Only ready meals (boiled or fried) may be refrozen.

No longer store the frozen produce for the max. storage period.

---

## Interior fittings

(not all models)

### Frozen food container (large)

Fig. **1**/12

For the storage of large frozen items, e.g. turkey, duck and goose.

### Freezer calendar

Fig. **7**/A

To prevent the quality of the frozen food from deteriorating, do not exceed the storage duration. The storage period depends on the type of produce. The figures next to the symbols indicate the permitted storage period of the produce in months. In the case of commercially available frozen food observe the date of manufacture or use-by date.

## Ice pack

Fig. 7/B

If a power failure or malfunction occurs, the ice packs can be used to slow down the thawing process. The longest storage time is obtained by placing the ice pack on the food in the top compartment.

To save space, the ice pack can be stored in the door compartment.

The ice packs can also be used to cool food temporarily, e.g. in a cold bag.

## Ice maker

Fig. 8

Use only drinking water to make ice cubes.

1. Take out water container and fill with drinking water up to the mark.

### Note

If too much drinking water is added, the function of the ice maker may be impaired. The ice cubes cannot be removed individually from the ice tray.

Too much drinking water was added and is running into the storage container, causing any ice cubes to freeze together.

2. Pour drinking water into the filler opening.
3. Re-insert water container.
4. When the ice cubes are frozen, press lever down and release.  
The ice cubes loosen and fall into the storage container.
5. Pull out storage container and remove ice cubes.

## Ice cube tray

Fig. 9

1. Fill the ice cube tray  $\frac{3}{4}$  full of drinking water and place in the freezer compartment.
2. If the ice tray is stuck to the freezer compartment, loosen with a blunt implement only (spoon-handle).
3. To loosen the ice cubes, twist the ice tray slightly or hold briefly under flowing water.

---

## Switching off and disconnecting the appliance

### Switching off the appliance

Fig. 2

Press the On/Off button 1.  
Temperature display goes out, refrigerating unit switches off.

### Disconnecting the appliance

If you do not use the appliance for a prolonged period:

1. Switch off the appliance.
2. Pull out mains plug or switch off fuse.
3. Clean the appliance.
4. Leave the appliance door open.

---

## Defrosting

### Freezer compartment

The fully automatic No Frost system ensures that the freezer compartment remains free of ice. Defrosting is no longer required.

---

## Cleaning the appliance

### Warning

Never clean the appliance with a steam cleaner!

### Caution

- Do not use abrasive, chloride or acidic cleaning agents or solvents.
- Do not use scouring or abrasive sponges.  
The metallic surfaces could corrode.
- Never clean shelves and containers in the dishwasher.  
The parts may become deformed!

### Note

Approx. 4 hours before cleaning the appliance, switch on super freezing so that the food drops to a very low temperature and can therefore be stored at room temperature for a longer period.

### Proceed as follows:

1. Before cleaning: Switch the appliance off.
2. Pull out mains plug or switch off fuse.
3. Take out the frozen food and store in a cool location. Place the ice pack (if enclosed) on the food.
4. Clean the appliance with a soft cloth, lukewarm water and a little pH neutral washing-up liquid. The rinsing water must not run into the light.
5. Wipe the door seal with clear water only and then wipe dry thoroughly.
6. After cleaning reconnect and switch the appliance back on.
7. Put the frozen food back in the freezer compartment.

---

## Light (LED)

Your appliance features a maintenance-free LED light.

These lights may be repaired by customer service or authorised technicians only.

## Tips for saving energy

- Install the appliance in a dry, well ventilated room! The appliance should not be installed in direct sunlight or near a heat source (e.g. radiator, cooker).  
If required, use an insulating plate.
- If available: Fit wall spacers to obtain the indicated energy rating of the appliance (see Installation instructions). A reduced wall gap will not restrict the function of the appliance. The energy rating may then change slightly. The gap of 75 mm must not be exceeded.
- Thaw frozen food in the refrigerator compartment and use the low temperature of the frozen food to cool refrigerated food.
- Allow warm food and drinks to cool down before placing in the appliance.
- Open the appliance as briefly as possible.
- Ensure that the freezer compartment door is always closed properly.
- Occasionally clean the rear of the appliance to prevent an increased power consumption.
- Do not block the ventilation openings in the appliance.

## Operating noises

### Quite normal noises

#### Droning

Motors are running (e.g. refrigerating units, fan).

#### Bubbling, humming or gurgling noises

Refrigerant is flowing through the tubing.

#### Clicking

Motor, switches or solenoid valves are switching on/off.

### Preventing noises

#### The appliance is not level

Please align the appliance with a spirit level. Use the height-adjustable feet or place packing underneath them.

#### The appliance is not free-standing

Please move the appliance away from adjacent units or appliances.

#### Containers or storage areas wobble or stick

Please check the removable parts and re-insert them correctly if required.

## Eliminating minor faults yourself

Before you call customer service:

Please check whether you can eliminate the fault yourself based on the following information.

Customer service will charge you for advice – even if the appliance is still under guarantee!

Fault	Possible cause	Remedial action
Warning signal sounds. Temperature display flashes. Fig. 2/4	Fault – the freezer compartment is too warm!	To switch off the warning signal, press the temperature selection button 3.
	<b>Frozen food is at risk!</b>	<p><b>Note</b></p> <p>Frozen food which has started thawing or which has thawed can be refrozen if meat and fish were above +3 °C for not more than one day or other frozen food for not more than three days.</p> <p>If taste, odour and appearance have not changed, the food can be boiled or fried and then refrozen.</p> <p>No longer store the frozen produce for the max. storage period.</p>
	Appliance is open.	Close the appliance.
	Ventilation openings have been covered.	Ensure that there is adequate ventilation.
Appliance is not cooling, temperature display and light are lit.	Too much food was placed in the freezer compartment at once.	Do not exceed max. freezing capacity.
		When the fault has been rectified, the temperature display stops flashing.
	Showroom mode is switched on.	<p>Hold down alarm button, Fig 2/5, for 10 seconds until an acknowledgement signal sounds.</p> <p>After a short time check whether your appliance is cooling.</p>



Fault	Possible cause	Remedial action
Temperature differs greatly from the set value.		<p>In some cases it is adequate to switch off the appliance for 5 minutes.</p> <p>If the temperature is too high wait a few hours and check whether the temperature has approached the set value.</p> <p>If the temperature is too low check the temperature again the next day.</p>
Displays do not illuminate.	Power failure; the fuse has been switched off; the mains plug has not been inserted properly.	Connect mains plug. Check whether the power is on, check the fuses.
Freezer compartment door was open for a long time; temperature is no longer reached.	The evaporator (refrigeration generator) in the No Frost system is covered in thick ice and can no longer be defrosted fully automatically.	<p>To defrost the evaporator, remove the frozen food with the compartments, insulate well and store in a cool location.</p> <p>Switch off the appliance and move it away from the wall. Leave the appliance door open.</p> <p>After approx. 20 min. the condensation begins to run into the evaporation pan, at the rear of the appliance. Fig. 10</p> <p>To prevent the evaporation pan from overflowing in this case, mop up the condensation with a sponge.</p> <p>The evaporator is defrosted when the water stops running into the evaporation pan. Clean the interior. Switch the appliance back on again.</p>

## Appliance self-test

Your appliance features an automatic self-test program which shows you sources of faults which may be repaired by customer service only.

### Starting the appliance self-test

1. Switch off the appliance and wait 5 minutes.
2. Switch on appliance and hold down the super button, Fig. 2/2, for 3-5 seconds within the first 10 seconds until an acoustic signal sounds.

The self-test programme starts.

While the self-test is running, a long acoustic signal sounds.

When the self-test ends and an acoustic signal sounds twice, your appliance is in working order.

If the Super button flashes for 10 seconds and 5 acoustic signals sound, there is a fault. Inform customer service.

### Ending the appliance self-test

When the programme has ended, the appliance switches over to normal operation.

## Customer service

Your local customer service can be found in the telephone directory or in the customer-service index. Please provide customer service with the appliance product number (E-Nr.) and production number (FD).

These specifications can be found on the rating plate. Fig. 11

To prevent unnecessary call-outs, please assist customer service by quoting the product and production numbers. This will save you additional costs.

### Repair order and advice on faults

Contact information for all countries can be found on the enclosed customer service list.

GB	0844 892 8979	Calls from a BT landline will be charged at up to 3 pence per minute. A call set-up fee of up to 6 pence may apply.
----	---------------	---

IE	01450 2655	
----	------------	--

US	800 944 2904	toll-free
----	--------------	-----------

---

# Consignes de sécurité et avertissements

## Avant de mettre l'appareil en service

Veuillez lire attentivement et entièrement les informations figurant dans les notices d'utilisation et de montage. Elle contiennent des remarques importantes concernant l'installation, l'utilisation et l'entretien de l'appareil.

Le fabricant décline toute responsabilité si les consignes et mises en garde contenues dans la notice d'utilisation ne sont pas respectées. Veuillez conserver ces documents en vue d'une réutilisation ultérieure ou pour le cas où l'appareil changerait de propriétaire.

## Sécurité technique

Cet appareil contient une petite quantité d'un fluide réfrigérant écologique mais inflammable, le R 600a. Pendant le transport et la mise en place de l'appareil, veillez à ne pas endommager les tuyauteries du circuit frigorifique. Si le fluide réfrigérant jaillit, il peut provoquer des lésions oculaires ou s'enflammer.

Si l'appareil est endommagé

- éloignez de l'appareil toute flamme nue ou source d'inflammation,
- aérez bien la pièce pendant quelques minutes,
- éteignez l'appareil puis débranchez la fiche mâle de la prise de courant,
- prévenez le service après-vente.

Plus l'appareil contient de fluide réfrigérant et plus grande doit être la pièce dans laquelle il se trouve. Dans les pièces trop petites, un mélange gaz-air inflammable peut se former en cas de fuite.

Comptez 1 m<sup>3</sup> de volume minimum de la pièce pour 8 g de fluide réfrigérant. La quantité de fluide présente dans l'appareil est indiquée sur la plaque signalétique située à l'intérieur de ce dernier.

Si le cordon d'alimentation électrique de cet appareil a été endommagé, il faut confier son remplacement au fabricant, au service après-vente ou à une personne détenant des qualifications similaires. Les installations et réparations inexpertes peuvent engendrer des risques considérables pour l'utilisateur.

Les réparations ne pourront être réalisées que par le fabricant, le service après-vente ou une personne détenant des qualifications similaires.

Il ne faut utiliser que les pièces d'origine du fabricant. Le fabricant ne garantit que les pièces d'origine car elles seules remplissent les exigences de sécurité.

S'il faut allonger le cordon de raccordement au secteur avec un prolongateur, procurez-vous-le exclusivement auprès du service après-vente.

## Pendant l'utilisation

- N'utilisez pas d'appareils électriques à l'intérieur de l'appareil (par ex. appareils de chauffage, machine à glaçons, etc.).  
Risque d'explosion !
- Ne dégivrez ni et ne nettoyez jamais l'appareil avec un nettoyeur à vapeur !  
La vapeur risque d'atteindre des pièces électriques et de provoquer un court-circuit.  
Risque d'électrocution !
- Pour détacher le givre ou les couches de glace, n'utilisez jamais d'objets pointus ou présentant des arêtes vives. Vous risqueriez d'endommager les tuyaux de fluide réfrigérant.  
Le fluide réfrigérant en train de jaillir risque de s'enflammer ou de provoquer des lésions oculaires.
- Ne stockez dans l'appareil ni produits contenant des gaz propulseurs inflammables (par ex. bombes aérosols) ni produits explosifs.  
Risque d'explosion !
- Ne vous servez pas des socles, clayettes et portes comme marchepieds ou pour vous appuyer.
- Pour dégivrer et nettoyer l'appareil, débranchez la fiche mâle de la prise de courant ou retirez le fusible / désarmez le disjoncteur. Pour débrancher l'appareil, tirez sur la fiche mâle et non pas sur son cordon.
- Stockez les boissons fortement alcoolisées en position verticale dans des récipients bien fermés.
- L'huile et la graisse ne doivent pas entrer en contact avec les parties en matières plastiques et le joint de porte. Ces derniers pourraient sinon devenir poreux.
- Ne recouvrez et n'obstruez jamais les orifices de ventilation de l'appareil.
- Cet appareil ne pourra être utilisé par des personnes (enfants compris) présentant des capacités physiques, sensorielles ou psychiques restreintes ou manquant de connaissances que sous la surveillance d'une personne chargée de leur sécurité ou après que cette dernière leur aura enseigné à utiliser l'appareil.
- Dans le compartiment congélateur, ne stockez pas de boissons, gazeuses en particulier, en bouteilles ou en canettes car elles éclateraient. Les bouteilles et les canettes risqueraient d'éclater !
- Ne portez jamais des produits surgelés à la bouche immédiatement après les avoir sortis du compartiment congélateur.  
Risque d'engelures !
- Évitez tout contact prolongé des mains avec les produits congelés, la glace ou les tubes de l'évaporateur, etc.  
Risque d'engelures !

## Les enfants et l'appareil

- Ne confiez jamais l'emballage et ses pièces constitutives aux enfants. Ils risquent de s'étouffer avec les cartons pliants et les feuilles de plastique !
- L'appareil n'est pas un jouet pour enfants !
- Appareils équipés d'une serrure : rangez la clé hors de portée des enfants !

## Dispositions générales

L'appareil convient pour

- congeler des produits alimentaires,
- préparer des glaçons.

Cet appareil est destiné à un usage domestique dans un foyer privé, et à l'environnement domestique.

L'appareil a été antiparasité conformément à la directive UE 2004 / 108 / EC.

Le circuit frigorifique a subi un contrôle d'étanchéité.

Ce produit est conforme aux dispositions de sécurité applicables visant les appareils électriques (EN 60335-2-24).

## Conseil pour la mise au rebut

### Mise au rebut de l'emballage

L'emballage protège votre appareil contre les dommages susceptibles de survenir en cours de transport. Tous les matériaux qui le composent sont compatibles avec l'environnement et recyclables. Aidez-nous : à éliminer l'emballage dans le respect de l'environnement.

Pour connaître les circuits actuels de mise au rebut, adressez-vous s.v.p. à votre revendeur ou à l'administration de votre commune.

### Mise au rebut de l'ancien appareil

Les appareils usagés ne sont pas des déchets dénués de valeur ! Leur élimination dans le respect de l'environnement permet d'en récupérer de précieuses matières premières.



Cet appareil est marqué selon la directive européenne 2002 / 96 / CE relative aux appareils électriques et électroniques usagés (waste electrical and electronic equipment – WEEE). La directive définit le cadre pour une reprise et une récupération des appareils usagés applicables dans les pays de la CE.

## Mise en garde

Avant de mettre au rebut l'appareil qui ne sert plus :

1. Débranchez sa fiche mâle.
2. Sectionnez son câble d'alimentation et retirez-le avec la fiche mâle.
3. Pour dissuader les enfants de grimper dans l'appareil, ne retirez pas les clayettes et les bacs !
4. Ne permettez pas aux enfants de jouer avec l'appareil lorsqu'il ne sert plus. Risque d'étouffement !

Les appareils réfrigérants contiennent du fluide réfrigérant. L'isolant contient des gaz. Il faut que le fluide réfrigérant et les gaz soient éliminés dans les règles de l'art. Jusqu'à l'enlèvement de l'appareil, veillez bien à ce que son circuit frigorifique ne soit pas endommagé.

## Étendue des fournitures

Après avoir déballé, vérifiez toutes les pièces pour détecter d'éventuels dégâts dus au transport.

En cas de réclamation, veuillez vous adresser au revendeur auprès duquel vous avez acquis l'appareil ou auprès de notre service après-vente.

La livraison comprend les pièces suivantes :

- Appareil indépendant
- Sachet avec visserie de montage
- Équipement (selon le modèle)
- Notice d'utilisation

- Notice de montage
- Carnet de service après-vente
- Pièce annexe de la garantie
- Informations relatives à la consommation d'énergie et aux bruits

## Contrôler la température ambiante et l'aération

### Température ambiante

L'appareil a été conçu pour une catégorie climatique précise. Suivant la catégorie climatique, l'appareil est utilisable dans les températures ambiantes suivantes.

La catégorie climatique de l'appareil figure sur sa plaque signalétique, Fig. **11**.

Catégorie climatique	Température ambiante admissible
<b>SN</b>	+10 °C à 32 °C
<b>N</b>	+16 °C à 32 °C
<b>ST</b>	+16 °C à 38 °C
<b>T</b>	+16 °C à 43 °C

### Remarque

L'appareil est entièrement fonctionnel à l'intérieur des limites de température ambiante prévues dans la catégorie climatique indiquée. Si un appareil de la catégorie climatique SN est utilisé à des températures ambiantes plus basses, il est possible d'exclure que l'appareil s'endommage jusqu'à une température de +5 °C.

## Aération

Fig. 3

L'air entrant en contact avec la paroi arrière de l'appareil se réchauffe.

L'air chaud doit pouvoir s'échapper sans obstacle. S'il ne le peut pas, le groupe frigorifique doit fonctionner plus longtemps, ce qui augmente la consommation de courant. Pour cette raison, ne recouvrez ni et n'obstruez jamais les orifices d'aération de l'appareil.

---

## Branchement de l'appareil

Après l'installation de l'appareil en position verticale, attendez au moins une heure avant de le mettre en service.

Il peut en effet arriver, pendant le transport, que l'huile présente dans le compresseur se déplace vers le circuit frigorifique.

Avant la première mise en service, nettoyez le compartiment intérieur de l'appareil. (Voir le chapitre « Nettoyage de l'appareil ».)

## Branchement électrique

La prise doit être proche de l'appareil et demeurer librement accessibles même après avoir installé ce dernier.

L'appareil est conforme à la classe de protection I. Raccordez l'appareil au courant alternatif 220–240 V / 50 Hz, via une prise femelle installée réglementairement et comportant un fil de terre. La prise doit être protégée par un fusible supportant un ampérage de 10 A à 16 A.

Sur les appareils qui fonctionneront dans des pays non européens, il faut vérifier que la tension et le type de courant mentionnés sur la plaque signalétique correspondent bien avec celle et celui offert par votre secteur. Vous trouverez ces indications sur la plaque signalétique. Fig. 11

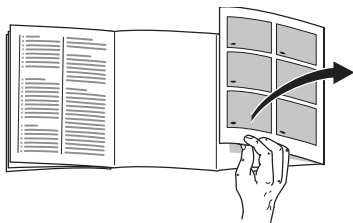


### Mise en garde

Il ne faut en aucun cas raccorder l'appareil à des fiches électroniques d'économie d'énergie.

Nos appareils peuvent être alimentés via des onduleurs pilotés par le secteur ou à pilotage sinusoïdal. Directement raccordées au réseau public, les installations photovoltaïques font appel à des onduleurs pilotés par le secteur. Dans les solutions en îlots (p. ex. sur les bateaux ou les refuges de montagne), ne disposant pas d'un raccordement direct au réseau électrique public, il faut utiliser des onduleurs à pilotage sinusoïdal.

## Présentation de l'appareil



Veuillez déplier la dernière page, illustrée, de la notice. La présente notice d'utilisation vaut pour plusieurs modèles. L'équipement des modèles peut varier. Selon le modèle, l'appareil peut différer du contenu des illustrations.

Fig. 1

\* Selon le modèle.

- 1-5 Éléments de commande
- 6 Éclairage (LED)
- 7 Système No Frost
- 8 Trappe du compartiment congélateur
- 9 Clayette en verre
- 10 Distributeur de glaçons / Bac à glaçons
- 11 Bac à produits congelés (petit)
- 12 Bac à produits congelés (grand)
- 13 Pied à vis
- 14 Accumulateurs de froid \*
- 15 Calendrier de congélation
- 16 Aération de la porte

## Éléments de commande

Fig. 2

- 1 **Touche Marche / Arrêt**  
Il sert à allumer et éteindre l'ensemble de l'appareil.
- 2 **Touche « super »**  
Pour allumer et éteindre la supercongélation.  
Ce voyant ne s'allume que pour indiquer que la supercongélation s'est enclenchée.
- 3 **Touche de réglage de la température**  
Cette touche permet de régler la température souhaitée.
- 4 **L'affichage de température**  
La température sur laquelle le compartiment congélateur a été réglé s'affiche.
- 5 **Touche d'alarme**  
Sert à désactiver l'alarme sonore (voir le chapitre « Fonction alarme »).



## Enclenchement de l'appareil

Fig. 2

Allumez l'appareil par la touche Marche / Arrêt 1.

Une alarme sonore retentit. L'affichage de température 4 clignote et la touche d'alarme 5 s'allume.

Appuyez sur la touche d'alarme 5. L'alarme sonore s'éteint.

Une fois que le compartiment congélateur a atteint la température réglée, l'affichage de température s'allume 4.

## Remarques concernant le fonctionnement de l'appareil

- Après son allumage, l'appareil peut avoir besoin de plusieurs heures pour atteindre la température réglée. Pendant cette période, ne rangez pas de produits alimentaires dans l'appareil.
- Grâce au système No Frost entièrement automatique, le compartiment congélateur ne se couvre pas de givre. Il n'est pas nécessaire de dégivrer.
- L'appareil chauffe légèrement une partie de ses surfaces frontales pour empêcher une condensation d'eau dans la zone du joint de porte.
- Si la porte du compartiment congélateur ne se laisse pas immédiatement rouvrir après l'avoir fermée, attendez un moment pour laisser à la dépression régnant dans le compartiment le temps de se résorber.

## Réglage de la température

Fig. 2

### Compartiment congélateur

La température est réglable entre  $-16\text{ }^{\circ}\text{C}$  et  $-26\text{ }^{\circ}\text{C}$ .

Appuyez sur la touche de réglage de la température 3 jusqu'à ce que la température souhaitée soit réglée dans le compartiment congélateur.

L'appareil mémorise la valeur réglée en dernier. La température réglée s'affiche à l'affichage 4.

Nous recommandons de régler le compartiment congélateur sur  $-18\text{ }^{\circ}\text{C}$  (réglage usine).

## Fonction alarme

Une alarme sonore peut se déclencher dans les cas suivants.

### Alarme relative à la porte

L'alarme relative à la porte (signal sonore permanent) s'active si la porte de l'appareil est restée ouverte plus d'une minute. Refermer la porte suffit pour que l'alarme sonore cesse.

## Alarme début de décongélation

Après avoir appuyé sur la touche d'alarme 5, la température la plus élevée qui a régné dans le compartiment congélateur s'affiche pendant cinq secondes. Ensuite, cette valeur s'efface.

La température réglée du compartiment congélateur s'affiche 4 sans clignoter.

A partir de ce moment-là, l'appareil recommence à déterminer la température la plus élevée.

## Alarme de température

L'alarme de température s'enclenche lorsque la température a trop monté dans le compartiment congélateur et que les produits surgelés risquent de s'abîmer.

L'affichage de température 4 clignote et la touche d'alarme 5 s'allume.

L'alarme peut s'activer dans les cas suivants, sans que cela signifie que les produits congelés risquent de s'abîmer :

- lors de la mise en service de l'appareil,
- lors du rangement de grandes quantités de produits frais,
- lorsque la porte du compartiment congélateur est restée trop longtemps ouverte.

## Alarme sur coupure de courant

Fig. 2

L'alarme sur coupure de courant s'enclenche si en raison d'une coupure de courant la température a trop monté dans l'appareil, donc si les produits risquent de s'abîmer.

La touche d'alarme 5 s'allume et « PI » apparaît à l'affichage de température 4.

## Remarque

Ne remettez pas à congeler des produits alimentaires partiellement ou entièrement décongelés. Vous pourrez les recongeler uniquement après les avoir transformés en plats pré-cuisinés (par cuisson ou rôtissage).

N'utilisez pas la durée de conservation dans son intégralité.

## Désactiver l'alarme

Fig. 2

Appuyez sur la touche « alarm » 5 pour éteindre l'alarme sonore.

## Contenance utile

Vous trouverez les indications relatives à la contenance utile sur la plaque signalétique de votre appareil. Fig. **11**

### Utiliser l'intégralité du volume de congélation

Pour pouvoir ranger la quantité maximale de produits congelés, vous pouvez retirer différentes pièces composant l'équipement. Il est possible d'empiler les produits alimentaires directement sur les clayettes.

#### Remarque

Pour respecter les valeurs indiquées sur la plaque signalétique, il faudrait que la pièce d'équipement respectivement la plus haute reste dans l'appareil.

### Pour retirer les pièces d'équipement

- Tirez le bac à produit congelés à vous jusqu'à la butée, soulevez-le à l'avant puis extrayez-le. Fig. **4**
- Trappe du compartiment congélateur  
Fig. **5**
  1. Ouvrez à moitié la trappe du compartiment congélateur.
  2. Détachez la fixation sur un côté de l'appareil.
  3. Tirez à vous et détachez la trappe de la fixation.
  4. Détachez la fixation de l'autre côté de l'appareil.
- Sur les appareils avec distributeur de glaçons, il est possible de retirer ce dernier. Fig. **6**

## Le compartiment congélateur

### Utilisation du compartiment congélateur

- Sert à ranger des produits surgelés.
- Sert à confectionner des glaçons.
- Pur congeler des produits alimentaires.

#### Remarque

Veillez à ce que la porte du compartiment congélateur soit correctement fermée ! Si cette porte reste ouverte, les produits surgelés dégèleront. Le compartiment congélateur se givre fortement. En outre : gaspillage d'énergie dû à une consommation élevée d'électricité !

## Capacité de congélation maximale

Sur la plaquette signalétique, vous trouverez des indications concernant la capacité de congélation maximale en 24 heures. Fig. **11**

## Congélation et rangement

### Achats de produits surgelés

- Leur emballage doit être intact.
- Ne dépassez pas la date-limite de conservation.
- Il faut que la température dans le congélateur bahut du supermarché soit de -18 °C ou encore plus basse.
- Utilisez de préférence un sac iso-therme pour le transport puis rangez les produits le plus rapidement possible dans le compartiment congélateur.

### Consignes de rangement

- Rangez les quantités assez importantes de produits alimentaires dans le compartiment le plus haut. Ils y seront congelés à la fois très vite et en douceur.
- Veillez bien à ne pas placer de produits surgelés sur les fentes d'aération situées contre la paroi arrière.
- Étalez les produits alimentaires sur une grande surface dans les compartiments et dans les bacs à produits surgelés.

#### Remarque

Veillez à ce que les produits congelés n'entrent pas en contact avec des produits frais. Le cas échéant, modifiez l'empilage des produits congelés dans les bacs à produits congelés.

- Pour que l'air circule bien dans l'appareil, introduisez le bac à produits congelés jusqu'à la butée.

## Congélation de produits frais

Pour congeler les aliments, n'utilisez que des aliments frais et d'un aspect impeccable.

Il faudrait blanchir les légumes avant de les congeler, pour préserver le mieux possible leur valeur nutritive, leur arôme et leur teinte. Il n'est pas nécessaire de blanchir les aubergines, poivrons, courgettes et asperges.

Vous trouverez en librairie toute une bibliographie sur la congélation et le blanchissement.

#### Remarque

Veillez à ce que les produits alimentaires à congeler n'entrent pas en contact avec des produits déjà congelés.

- Se prêtent à la congélation :  
Pâtisseries, poissons et fruits de mer, viande de boucherie et gibier, volaille, fruits, légumes, herbes culinaires, œufs sans la coque, produits laitiers comme le fromage, le beurre et le fromage blanc, plats précuisinés et restes de plats tels que les soupes, ragouts, la viande et le poisson cuits, les plats aux pommes de terre, les soufflés et mets sucrés.
- Ne se prêtent pas à la congélation :  
Variétés de légumes habituellement dégustés crues telles que la salade ou les radis, œufs dans leur coque, raisins, pommes, poires et pêches entières, œufs cuits durs, yaourt, lait caillé, crème acidulée, crème fraîche et mayonnaise.

## Emballer les surgelés

L'air ne doit pas pénétrer dans l'emballage pour que les aliments ne perdent pas leur goût ni ne sèchent pas.

1. Placez les aliments dans l'emballage.
2. Presser pour chasser l'air.
3. Obturez l'emballage hermétiquement.
4. Indiquez sur l'emballage le contenu et la date de congélation.

### Emballages adaptés :

Feuilles en plastique, feuilles en polyéthylène, feuilles d'aluminium, boîtes de congélation.

Vous trouverez ces produits dans le commerce spécialisé.

### Emballages inadaptés :

Le papier d'emballage, le papier sulfurisé, les feuilles de cellophane, les sacs poubelles et les sacs en plastique ayant déjà servi.

### Moyens d'obturation adaptés :

Caoutchoucs, clips en plastique, ficelles, rubans adhésifs résistants au froid, ou assimilés.

Vous pouvez obturer les sachets et les feuilles en polyéthylène au moyen d'une thermosoudeuse.

## Durée de conservation des produits surgelés

La durée de conservation dépend de la nature des produits alimentaires.

Si la température a été réglée sur  $-18\text{ }^{\circ}\text{C}$  :

- Poisson, charcuterie, plats pré-cuisinés, pâtisseries :  
jusqu'à 6 mois
- Fromage, volaille, viande :  
jusqu'à 8 mois
- Fruits et légumes :  
jusqu'à 12 mois

---

## Supercongélation

Il faudrait congeler les produits alimentaires à cœur le plus rapidement possible afin de préserver leurs vitamines, leur valeur nutritive, leur aspect et leur goût.

Pour empêcher une hausse indésirable de la température, allumez la supercongélation quelques heures avant de ranger des produits alimentaires frais.

L'appareil fonctionne désormais en permanence. Le compartiment congélateur atteint une température très basse.

S'il faut utiliser la capacité de congélation maximale, il faut enclencher la supercongélation 24 heures avant de ranger des produits frais.

Si vous ne voulez congeler que de petites quantités d'aliments (jusqu'à 2 kg), vous n'avez pas besoin d'enclencher la supercongélation.

**Remarque**

Si vous avez activé la supercongélation, l'appareil peut fonctionner plus bruyamment.

**Allumage et extinction**

Fig. 2

Appuyez sur la touche « super » 2.

À l'enclenchement de la supercongélation, le voyant de la touche s'allume.

La supercongélation se désactive automatiquement au bout de 2½ jours.

**Décongélation des produits**

Selon la nature et l'utilisation des produits surgelés, vous pouvez choisir entre plusieurs possibilités :

- à la température ambiante,
- dans le réfrigérateur,
- dans le four électrique, avec / sans ventilateur à air chaud,
- dans le micro-ondes.

**Attention**

Ne remettez pas à congeler des produits alimentaires partiellement ou entièrement décongelés. Vous pourrez les recongeler uniquement après les avoir transformés en plats pré-cuisinés (par cuisson ou rôtissage).

Dans ce cas, consommez-les nettement avant la date limite de conservation.

**Equipement**

(selon le modèle)

**Bac à produits congelés (grand)**

Fig. 1/12

Pour ranger des produits congelés volumineux, par ex. dindes, canards et oies.

**Calendrier de congélation**

Fig. 7/A

Pour que la qualité des produits congelés ne diminue pas, ne dépassez pas la durée de stockage. La durée de stockage dépend de la nature de l'aliment. Les chiffres à côté des symboles indiquent en mois la durée de conservation permise pour le produit concerné. Produits surgelés en vente habituelle dans le commerce : vérifiez la date de fabrication ou la date limite de conservation.

**Accumulateurs de froid**

Fig. 7/B

Lors d'une coupure de courant ou en cas de panne, les accumulateurs de froid retardent le réchauffement des produits surgelés stockés dans l'appareil. Pour parvenir à la durée maximale de stockage, placez l'accumulateur de froid sur les produits alimentaires situés dans le compartiment le plus haut.

Pour économiser de la place, vous pouvez ranger chaque accumulateur dans le casier en contre-porte.

Vous pouvez également vous servir des accumulateurs de froid pour emporter des aliments par ex. dans un sac isotherme et les conserver ainsi au frais pendant une durée limitée.

## Distributeur de glaçons

Fig. 8

Pour préparer des glaçons, utilisez exclusivement de l'eau potable.

1. Retirez le réservoir d'eau et remplissez-le d'eau potable jusqu'au repère.

### Remarque

Si la quantité d'eau potable est excessive, cela peut gêner le fonctionnement du distributeur de glaçons. Les glaçons ne se détachent pas individuellement du bac. La quantité d'eau potable excédentaire coule dans le réservoir de glaçons et les soude en gelant.

2. Versez l'eau potable par l'orifice de remplissage.
3. Remettez le réservoir d'eau en place.
4. Une fois les glaçons formés, poussez le levier vers le bas et relâchez-le. Les glaçons se détachent et tombent dans le bac à glace.
5. Sortez le réservoir de glaçons et retirez ces derniers.

## Bac à glaçons

Fig. 9

1. Remplissez le bac à glaçons aux  $\frac{3}{4}$  d'eau potable puis rangez-le dans le compartiment congélateur.
2. Si le bac est resté collé dans le compartiment congélateur, n'utilisez qu'un instrument émoussé pour le décoller (un manche de cuiller par ex.).
3. Pour enlever les glaçons du bac, passez-le brièvement sous l'eau du robinet ou déformez légèrement le bac.

---

## Arrêt et remisage de l'appareil

### Coupage de l'appareil

Fig. 2

Appuyez sur la touche Marche / Arrêt 1. L'indicateur de température s'éteint. Le groupe frigorifique s'éteint.

### Remisage de l'appareil

Si l'appareil doit rester longtemps sans servir :

1. Éteignez l'appareil.
2. Débranchez la fiche mâle du secteur ou ramenez le disjoncteur en position éteinte.
3. Nettoyez l'appareil.
4. Laissez la porte de l'appareil ouverte.

---

## Si vous dégivrez l'appareil

### Compartiment congélateur

Grâce au système No Frost entièrement automatique, le compartiment congélateur ne se couvre pas de givre. La nécessité de dégivrer disparaît.

---

## Nettoyage de l'appareil

### Mise en garde

Ne nettoyez jamais l'intérieur de l'appareil avec un nettoyeur à vapeur !

### Attention

- N'utilisez aucun produit de nettoyage contenant du sable, du chlorure ou de l'acide, ni aucun solvant.
- N'utilisez jamais d'éponges abrasives ou susceptibles de rayer.

Des zones corrodées pourraient apparaître sur les surfaces métalliques.

- Ne nettoyez jamais les clayettes et les bacs au lave-vaisselle.

Ces pièces pourraient se déformer !

### Remarque

Enclenchez la supercongélation env. 4 heures de nettoyer l'appareil, pour que les aliments atteignent une température très basse et puissent rester ainsi un certain temps à la température ambiante sans décongeler.

## Procédure :

1. Éteignez l'appareil avant de le nettoyer.
2. Débranchez la fiche mâle du secteur ou ramenez le disjoncteur en position éteinte.
3. Sortez les produits congelés et rangez-les dans un endroit frais. Posez les accumulateurs de froid (si fournis avec l'appareil) sur ces produits.
4. Ne nettoyez l'appareil qu'avec un chiffon doux, de l'eau tiède et du produit à vaisselle présentant un pH neutre. L'eau de nettoyage ne doit pas pénétrer dans l'éclairage.
5. N'essuyez le joint de porte qu'avec un chiffon et de l'eau propre ; ensuite, séchez-le à fond.
6. Après le nettoyage : rebranchez la fiche mâle de l'appareil puis réenclenchez-le.
7. Rangez à nouveau les produits surgelés dans les tiroirs.

---

## Éclairage (LED)

Votre appareil est équipé d'un éclairage par LED ne demandant pas d'entretien.

Les réparations de cet éclairage sont exclusivement réservées au service après-vente ou à des spécialistes autorisés.



## Economies d'énergie

- Placez l'appareil dans un local sec et aérable. Veillez à ce que l'appareil ne soit pas directement exposé aux rayons solaires et qu'il ne se trouve pas à proximité d'une source de chaleur (par ex. radiateur, cuisinière). Utilisez le cas échéant une plaque isolante.
- Attendez que les plats chauds aient refroidi avant de les ranger dans le compartiment congélateur.
- Déposez le produit congelé dans le compartiment réfrigérateur et profitez de son froid pour refroidir les produits alimentaires.
- De temps en temps, nettoyez le dos de l'appareil, ceci pour éviter une hausse de la consommation d'électricité.
- Veillez à ce que la porte du compartiment congélateur soit correctement fermée.
- N'ouvrez la porte de l'appareil que le plus brièvement possible.
- Si présent :  
Montez les écarteurs muraux pour parvenir à la quantité mentionnée d'énergie absorbée par l'appareil (voir la notice de montage). Un écart moins élevé par rapport au mur ne restreint pas le fonctionnement de l'appareil. Dans ce cas, l'énergie absorbée peut différer légèrement. Il ne faut pas dépasser un écart de 75 mm.
- N'obstruez pas les grilles d'aération de l'appareil.

## Bruits de fonctionnement

### Bruits parfaitement normaux

#### Bourdonnement sourd

Les moteurs tournent (par ex. groupes frigorifiques, ventilateur).

#### Clapotis, sifflement léger ou gargouillis

Le fluide frigorigène circule dans les tuyaux.

#### Cliquetis

Le moteur, les interrupteurs ou les électrovannes s'allument / s'éteignent.

### Éviter la génération de bruits

#### L'appareil ne repose pas d'aplomb

Veillez mettre l'appareil d'aplomb à l'aide d'un niveau à bulle. Ajustez ensuite l'horizontalité par les pieds à vis ou placez un objet dessous.

#### L'appareil touche quelque chose

Eloignez l'appareil de meubles ou d'appareils voisins.

#### Les bacs ou surfaces de rangement vacillent ou se coincent

Vérifiez les pièces amovibles puis remettez-les en place correctement.

## Remédier soi même aux petites pannes

Avant d'appeler le service après-vente (SAV) :

Vérifiez svp si vous ne pouvez pas remédier vous-même au dérangement à l'aide des instructions qui suivent.

Vous éviterez des dépenses inutiles car le déplacement du technicien du SAV vous sera facturé même pendant la période de garantie.

Dérangement	Cause possible	Remède
L'alarme sonore retentit. L'affichage de température clignote. Fig. 2/4	Dérangement : température excessive dans le compartiment congélateur !  <b>Les produits surgelés risquent de s'abîmer !</b>	Pour éteindre l'alarme sonore, appuyez sur la touche de réglage de température 3.  <b>Remarque</b> Vous pouvez remettre à congeler les produits en partie ou intégralement dégelés à condition qu'ils ne soient pas restés dégelés (à +3 °C) plus d'un jour s'il s'agit de viande ou de poisson, ou plus de trois jours s'il s'agit d'autres produits. Si le goût, l'odeur et l'aspect n'ont pas changé, vous pouvez recongeler ces produits alimentaires après les avoir faits cuire ou rôti. N'utilisez pas la durée de conservation dans son intégralité.
	L'appareil est ouvert.	Fermez l'appareil.
	Orifices d'entrée et de sortie d'air recouverts.	Veillez à ce que l'air puisse entrer et sortir librement.
	Vous avez mis d'un coup trop de produits à congeler.	Ne dépassez pas la capacité de congélation maximale.
		Après avoir supprimé le dérangement, l'affichage de température cesse de clignoter.

Dérangement	Cause possible	Remède
L'appareil ne réfrigère pas, l'affichage de température et l'éclairage intérieur sont allumés.	L'appareil se trouve sur le mode Exposition.	Appuyez sur la touche d'alarme, Fig. 2/5, pendant 10 secondes, jusqu'à ce qu'une tonalité de confirmation se fasse entendre. Vérifiez au bout d'un certain temps si l'appareil réfrigère.
La température dévie fortement par rapport au réglage.		Dans certains cas, il suffira d'éteindre l'appareil pendant 5 minutes. Si la température est trop élevée, vérifiez au bout de seulement quelques heures si un rapprochement de la température a eu lieu. Si la température est trop basse, vérifiez à nouveau la température le lendemain.
Aucun voyant ne s'allume.	Coupure de courant ; disjoncteur disjoncté ; fiche mâle pas complètement branchée dans la prise.	Branchez la fiche mâle dans la prise de courant. Vérifiez s'il y a du courant, vérifiez les fusibles / disjoncteurs.
La porte du compartiment congélateur est restée longtemps ouverte ; le compartiment congélateur n'atteint plus la température.	L'évaporateur (le générateur de froid) équipant le système No Frost est tellement givré qu'il ne peut plus se dégivrer de façon entièrement automatique.	Pour dégivrer l'évaporateur, sortez les produits alimentaires dans leurs casiers et rangez-les bien isolés dans un endroit frais. Éteignez l'appareil et éloignez-le du mur. Laissez la porte de l'appareil ouverte. Au bout de 20 minutes environ, l'eau de dégivrage commence à couler dans le bac d'évaporation au dos de l'appareil. Fig. 10 Pour éviter dans ce cas que le bac d'évaporation ne déborde, récupérez cette eau à l'aide d'une éponge. L'évaporateur est entièrement dégivré lorsqu'il ne coule plus d'eau de dégivrage dans le bac d'évaporation. Nettoyez le compartiment intérieur. Remettez ensuite l'appareil en service.

---

## Autodiagnostic de l'appareil

Votre appareil est équipé d'un programme automatique d'autodiagnostic qui vous affiche les sources de défauts ; seul le service après-vente est en mesure de les supprimer.

### Lancer l'autodiagnostic de l'appareil

1. Éteignez l'appareil et attendez 5 minutes.
2. Allumez l'appareil et au cours des dix premières secondes, appuyez pendant 3-5 secondes sur la touche « super », Fig. 2/2, jusqu'à ce qu'un signal sonore retentisse.

Le programme d'auto-test démarre.

Pendant l'autodiagnostic, un signal sonore long retentit.

Une fois l'autodiagnostic terminé et si un signal sonore retentit deux fois, cela signifie que votre appareil fonctionne correctement.

Si la touche « super » clignote pendant 10 secondes et si 5 signaux sonores retentissent, il y a présence d'un défaut. Veuillez prévenir le service après-vente.

### Terminer l'autodiagnostic de l'appareil

Une fois le programme exécuté, l'appareil revient sur le service normal.

---

## Service après-vente

Pour connaître le service après-vente situé le plus près de chez vous, consultez l'annuaire téléphonique ou le répertoire des services après-vente (SAV). Veuillez indiquer au SAV le numéro de série (E-Nr.) de l'appareil et son numéro de fabrication (FD).

Vous trouverez ces indications sur la plaque signalétique Fig. 11

Aidez-nous à éviter des déplacements inutiles : indiquez les numéros de série et de fabrication. Vous économiserez ainsi des suppléments de frais inutiles.

### Commande de réparation et conseils en cas de dérangements

Vous trouverez les données de contact pour tous les pays dans l'annuaire ci-joint du service après-vente.

FR 01 40 10 11 00  
B 070 222 141  
CH 0848 840 040

## سرویس دهی به مشتریان

برای یافتن آدرس نمایندگی های مجاز نزدیک به محل زندگی خود به دفترچه تلفن یا فهرست آدرس مراجعه کنید. لطفاً شماره مدل دستگاه خود (E-Nr.) و همچنین شماره ساخت (FD-Nr.) را به سرویسکار ارائه دهید. این اطلاعات را در پلاک مدل متصل شده در دستگاه مشاهده می کنید. تصویر 11

لطفاً به منظور جلوگیری از ایاب و ذهاب غیرضروری مأموران سرویس، اطلاعات صحیح مربوط به شماره مدل و شماره ساخت را به افراد مذکور ارائه دهید. در این صورت از پرداخت مخارج اضافی جلوگیری خواهد شد.

## مراجعه به مرکز خدمات پس از فروش برای تعمیر و مشاوره در هنگام بروز اشکال

در فهرست ضمیمه نشانی مراکز خدمات پس از فروش در همه کشورهای جهان را خواهید یافت.

## برنامه خودآزمایی دستگاه

دستگاه شما مجهز به برنامه «خودآزمایی اتوماتیک» است. این برنامه اشکالاتی را که فقط توسط مرکز خدمات پس از فروش قابل رفع است، نشان می دهد.

### فعال کردن برنامه خودآزمایی دستگاه

1. دستگاه را خاموش کرده و مدت 5 دقیقه صبر کنید.
2. دستگاه را روشن کنید و بلافاصله در عرض 10 ثانیه اول، دکمه «فریز سوپر»، تصویر 2/2، را تقریباً به مدت 3 تا 5 ثانیه به طور متد فشار دهید، تا صدای زنگ بلند شود.

اکنون برنامه «خودآزمایی» دستگاه شروع می شود. در هنگام اجرای برنامه «خودآزمایی» دستگاه، صدای متد زنگ هشدار بلند می شود.

اگر پس از پایان برنامه «خودآزمایی»، دوبار پی در پی صدای زنگ بگوش برسد، نشانه آن است که دستگاه درست کار می کند. اما اگر دکمه به مدت 10 ثانیه چشمک بزند و هشدار صوتی 5 بلند شود، نشانه وجود یک اشکال در دستگاه است.

در این حالت با مرکز خدمات پس از فروش تماس بگیرید.

## پایان دادن به برنامه «خودآزمایی» دستگاه

پس از پایان برنامه دستگاه به حالت از عادی خود برمی گردد.

مشکل موجود	علت احتمالی	برطرف کردن مشکل
اگر دمای فریزر از درجه تنظیم شده به شدت تفاوت داشته باشد.		<p>در بعضی موارد کافی است که دستگاه را به مدت 5 دقیقه خاموش کنید.</p> <p>اگر دمای موجود خیلی گرم باشد، پس از چند ساعت کنترل کنید که آیا درجه دما به درجه تنظیم شده نزدیک شده است یا نه.</p> <p>اگر دمای موجود سردتر باشد، یک روز پس از آن درجه دما را مجدداً کنترل کنید.</p>
هیچ يك از چراغ های کنترل روشن نیست.	<p>شاید برق رفته است؛ شاید فیوز شل شده است؛ شاید دوشاخه خوب در پریز قرار نگرفته است هیچ يك از چراغ های کنترل روشن نیست.</p>	دوشاخه را وصل کنید و امتحان کنید که آیا برق جریان دارد، فیوز را کنترل کنید.
احتمالاً در قسمت فریزر مدتی دراز باز بوده است، دستگاه نمی تواند دیگر دمای مورد نظر را تأمین کند.	<p>موتور سرمازا در سیستم «بی یخ» بشدت یخ زده است، به طوری که دیگر نمی تواند به شکل اتوماتیک عملکرد دیفرایز را انجام دهد.</p>	<p>برای آب شدن یخ موتور تخیخ، خوراکی های یخزده را با قفسه ها از دستگاه خارج کنید و آن ها را بحالت عایق بندی شده در جایی خنک نگهداری کنید. دستگاه را خاموش کرده و از دیوار دور کنید. در دستگاه را باز بگذارید.</p> <p>پس از تقریباً 20 دقیقه آب مذاب به لگن فاضلاب پشت دستگاه. تصویر 10</p> <p>جاری می شود برای جلوگیری از سررفتن فاضلاب، آب داخل لگن را چندین مرتبه با یک اسفنج خارج کنید. هنگامی که دیگر هیچ آبی به لگن جاری نشود، نشانه آن است که یخ موتور آب شده است. اکنون داخل دستگاه را تمیز کنید و دستگاه را مجدداً به کار بپندازید.</p>

## مشکلات کوچکی که می توان آنها را برطرف نمود

قبل از تماس تلفنی با سرویسکار دستگاه:

بررسی کنید که آیا خودتان می توانید اشکالات ایجاد شده را با توجه به نکاتی که در پایین صفحه گفته شده رفع نمایید یاخیر.

مخارج مشاوره یا حمل و نقل و سرویس دهی حتی در طول مدت گارانتی به عهده مشتری است.

مشکل موجود	علت احتمالی	برطرف کردن مشکل
<p>زنگ هشدار به صدا درآمده است. چراغ دکمه هشدار روشن است. تصویر 2/4</p>	<p>نوع اختلال – شاید دمای داخل فریزر بیش از حد گرم باشد! مواد خوراکی یخزده در معرض خطر است!</p>	<p>برای خاموش کردن صدای زنگ هشدار، دکمه تنظیم دما 3 را فشار دهید توجه مواد خوراکی یخزده که یخ شان ذوب شده یا شروع به ذوب شدن کرده اند را می توان مجددا فریز کرد به شرط آنکه گوشت و ماهی بیش از یک روز وسایر مواد یخزده بیش از سه روز در دمای 3 درجه بالا صفر سانتیگراد نمانده باشند. اگر طعم و بو و شکل مواد غذایی یخزده تغییر نکرده باشند، می توان آن ها را پخت یا سرخ کرد و سپس مجددا فریز کرد. اما در این حالت نباید دیگر از حداکثر زمان مجاز نگهداری استفاده شود.</p>
	در دستگاه باز است.	در دستگاه را ببندید.
	شاید منافذ تهویه مسدود شده باشد.	مواظب باز بودن سوراخ های ورود و خروج هوای داخل دستگاه باشید.
	شاید در آن واحد مقادیر زیادی مواد خوراکی به داخل فریزر برای یخ زدن گذاشته اید.	از حداکثر گنجایش فریزر تجاوز نکنید.
		مدتی کوتاه پس از رفع اشکال علامت هشدار ناپدید می شود.
دستگاه خنک نمی کند نشانگر دما و روشنایی کار می کنند.	شاید حالت نمایشگاهی فعال باشد.	دکمه هشدار 2/5 را به مدت 10 ثانیه در حالت فشار نگاه دارید تا صدای زنگ تأیید شنیده شود.
		پس از مدتی کوتاه کنترل کنید که آیا دستگاه خنک می کند یا نه.

## صرفه جویی در مصرف انرژی

- دستگاه را در یک محل خشک و قابل تهویه قرار دهید. دستگاه نباید به طور مستقیم در معرض نور آفتاب و یا در نزدیکی یک منبع حرارتی قرار گیرد (برای مثال بخاری یا اجاق). در صورت امکان از یک سطح عایق استفاده نمایید.
- مواظب باشید که سوراخ های ورود و خروج هوای داخل دستگاه مسدود نشود
- خوراکی ها و مایعات گرم را ابتداء پس از خنک شدن کامل به داخل دستگاه بگذارید.
- جهت یخزدایی غذاهای منجمد ابتدا آنها را در محفظه یخچال قرار دهید. در این صورت می توان از سرمای آنها برای سرد شدن بیشتر محفظه سرد کننده دستگاه استفاده نمود.
- درب یخچال را تنها به مدت بسیار کوتاهی باز نگهدارید.
- مواظب باشید که در فریزر همیشه بسته باشد.
- قسمت پشت دستگاه را مرتب با جاروبرقی یا یک برس تمیز کنید تا بدین وسیله از مصرف اضافی برق جلوگیری شود.
- اگر ضمیمه دستگاه باشد:  
نگهدارنده فاصله با دیوار را نصب کنید، تا انرژی مورد نظر دستگاه تأمین شود (نگاه کنید به دستور مونتاز). کمتر شدن فاصله دستگاه با دیوار، کارکرد دستگاه را محدود نمی کند. تنها این که ممکن است جذب انرژی به میزان ناچیزی تغییر کند. فاصله با دیوار نباید از 75 میلیمتر کمتر باشد.

## صداهای ناشی از کارکرد دستگاه

### صداهای کاملاً طبیعی

#### صدائی شبیه «غُرُونْد»

موتورها دارند کار می کنند (مثلاً ماشین سرمازا، دستگاه دمنده)

#### صدای «پولوق پولوق»، «وز وز» و «غَرَّغَره»

از گردش ماده سرمازا در لوله ها ایجاد می شود.

#### صدای تَک تَک

موتور، کلید یا سوپاپ های مغناطیسی خاموش و روشن می شوند.

## صداهایی که به آسانی برطرف می شود

### دستگاه تراز نیست

لطفاً دستگاه را به کمک يك وسیله تراز کنید. در این موارد از پیچ های پایه دستگاه استفاده کنید یا چیزی زیر آن بگذارید.

### دستگاه «لَم» داده است

لطفاً دستگاه را از مبل یا چیزهایی که به آن لم داده، دور کنید.

### جعبه ها یا فقسه لق شده اند یا گیر کرده اند.

لطفاً همه قطعات جداشدنی را از جای شان بردارید و آن ها مجدداً نصب کنید.



## جهیزات

تمام قطعات قابل جابجائی دستگاه را می توان به منظور نظافت از دستگاه خارج کرد (نگاه کنید به بخش «جهیزات»).

### نظافت تجهیزات یخساز

تجهیزات یخساز را مرتب تمیز کنید. این کار مانع آن می شود که حبه های یخ که مدتی دراز از تولید آن گذشته باشند، در هم فشرده شوند و مزه یا بوی ماندگی بدهند یا به هم بچسبند.

1. جعبه یخساز را از دستگاه خارج کنید. تصویر 6
2. یخدان ذخیره را از دستگاه خارج کرده و تخلیه کنید.
3. درپوش جعبه یخساز را بردارید.
4. همه قطعات جعبه یخساز را با آب گرم تمیز کنید.
5. قطعات را پس از شستن بگذارید تا خشک شود.
6. قطعات جعبه یخساز را مجدداً به هم متصل کرده و جعبه را دوباره در جایش قرار دهید.

## تمیز نمودن دستگاه

### ⚠️ تذکر

- هرگز از مواد پاک کننده ماسه ای یا سابنده یا اسیدی یا مواد حلال استفاده نکنید.
  - هرگز از ابر های ساینده یا خراشنده استفاده نکنید.
  - در سطوح فلزی دستگاه ممکن است خوردگی یا ساییدگی ایجاد شود.
  - هرگز قفسه ها یا ظروف دستگاه را در ماشین ظرفشویی شستشو ندهید.
- این قطعات ممکن است در ماشین ظرفشویی تغییر فرم دهند!

### توجه

تقریباً 4 ساعت قبل از تمیزکاری، حالت «فریز سوپر» (یخ بند عالی) را فعال کنید. تا خوراکی های یخزده به دمای بسیار پائین برسند و در نتیجه زمان طولانی تری قابل نگهداری باشند.

## به ترتیب زیر عمل کنید:

1. قبل از شروع نظافت، دستگاه را خاموش کنید.
2. فریزر را از برق بکشید یا فیوز آن را قطع کنید!
3. مواد خوراکی یخزده را از دستگاه خارج کرده و در جایی خنک نگهداری کنید. باتری سرما را (اگر در اختیارتان باشد) روی مواد خوراکی یخزده بگذارید.
4. دستگاه را با یک پارچه نرم و آب ولرم و با اندکی مایع ظرفشویی ملایم پاک کنید. آب شستشو نباید به قسمت روشنایی دستگاه برسد.
5. آب بندی های در را فقط با آب خالص پاک کنید و سپس بدقت با کشیدن دستمال خشک کنید.
6. پس از تمیزکاری، دستگاه را مجدداً به برق وصل کرده و روشن کنید.
7. خوراکی های یخزده را مجدداً در فریزر بگذارید.

## سیستم روشنایی LED

دستگاه شما مجهز به یک سیستم روشنایی LED - بدون نیاز به سرویس - است. تعمیر این سیستم روشنایی فقط توسط مرکز خدمات پس از فروش یا کارشناس دارای پروانه رسمی مجاز است.

## باتری سرما

تصویر 7/B

باتری سرما در مواقع قطع احتمالی برق یا اختلال فنی باعث تعویق گرم شدن مواد یخ زده می شود. برای این که به مؤثر ترین شکل از ذوب شدن یخ مواد خوراکی جلوگیری کنیم، بهتر است که باتری سرما را در بالاترین قفسه فریزر مستقیماً روی مواد خوراکی بگذاریم. برای صرفه جوئی در جا، می توان باتری سرما را در جاسازی توی در گذاشت.

باتری سرما را همچنین می توان برای خنک نگهداشتن مواد غذایی موقتا از فریزر خارج کرد و در یخچال دستی گذاشت.

## تولید یخ

تصویر 8

برای تهیه یخ حبه ای، فقط از آب آشامیدنی استفاده کنید

1. ظرف آب را از دستگاه بیرون آورده و تا قسمت علامت گذاری شده با آب آشامیدنی پر کنید.

### توجه

اگر ظرف آب را بیش از اندازه تعیین شده پر کنید، ممکن است تولید یخ مختل شود. حبه های یخ به صورت تک تک از ظرف یخ جدا نمی شوند.

آب اضافی به جعبه یخدان ذخیره، سرریز می شود و با حبه های موجود در یخدان منجمد شده و به هم می چسبند.

2. ظرف آب را از طریق دهانه آن با آب آشامیدنی پر کنید.
3. ظرف آب را دوباره در جایش قرار دهید.

4. هنگامی که حبه های یخ کاملاً ماسیدند، اهرم را به طرف پائین فشار دهید و سپس رها کنید. حبه های یخ از ظرف یخ جدا می شوند و به یخدان ذخیره می ریزند.

5. یخدان را از دستگاه بیرون بیاورید و حبه های یخ را از آن بردارید.

## ظرف یخ

تصویر 9

1. ظرف یخ را تا سه چهارم ظرفیت آن با آب پر کنید و به داخل فریزر بگذارید.
2. اگر ظرف یخ به کف قفسه فریزر چسبیده باشد، فقط با یک وسیله کُند (مانند دسته قاشق) آن را جدا کنید.
3. برای جدا کردن حبه های یخ، ظرف یخ را مدتی کوتاه زیر آب روان بگیرید یا آن را اندکی بپیچانید.

## خاموش کردن و عدم استفاده از دستگاه برای مدت طولانی

### خاموش کردن دستگاه

تصویر 2

دکمه خاموش/روشن (دکمه اصلی 1 را فشار دهید. نشانگر دما محو می شود و موتور دستگاه متوقف می شود.

### حالت عدم استفاده

اگر قصد دارید از دستگاه برای مدت طولانی استفاده نکنید:

1. دستگاه را خاموش کنید.
2. جریان برق را با در آوردن دو شاخه قطع نموده و یا فیوز را قطع نمایید.
3. دستگاه را تمیز کنید.
4. درب دستگاه را باز نگه دارید.

## یخزدائی

### فضای فریزر

در اثر سیستم اتوماتیک «بی یخ» فضای داخلی فریزر بدون یخ و برفک می ماند. به همین جهت دیگر هیچ نیاز به یخزدائی (دیفرایز) نیست.

## «فریز سوپر» (یخ زدن بسیار عالی) یخزدایی مواد منجمد

جهت یخزدایی مواد منجمد می توان یکی از کارهای زیر را نسبت به مورد استفاده انجام داد:

- قراردادن مواد غذایی در دمای اطاق
- قرار دادن مواد غذایی در یخچال
- قرار دادن مواد غذایی در اجاق برقی با یا بدون استفاده از هوای گرم
- قرار دادن مواد غذایی درون میکروفر.

### ⚠ تذکر

مواد غذایی از انجماد خارج شده را مجدداً فریز ننمایید. تنها پس از کار بر روی این مواد (پختن یا سرخ کردن) می توان این مواد را مجدداً فریز نمود.

در این صورت نباید از حداکثر درجه انجماد استفاده نمود.

مواد خوراکی باید هرچه سریع تر و بطور کامل یخ بزنند. تنها به این صورت ویتامین ها و ارزش غذایی و شکل و طعم آن ها حفظ می شود.

برای این که در هنگام فریز کردن مواد خوراکی تازه دمای فریزر به صورت نامطلوب گرم نشود، باید چند ساعت پیش از قرار دادن مواد خوراکی جدید به داخل فریزر، درجه «سوپرفریز» را فعال کنید.

پس راه اندازی برنامه فریز سوپر، دستگاه بی وقفه کار می کند و دمای داخل فریزر بسیار سرد خواهد شد.

اگر خواسته باشید که از حداکثر ظرفیت فریزر استفاده کنید، باید عملکرد «فریز عالی» (سوپر) را 24 ساعت قبل از گذاشتن خوراکی های تازه به داخل فریزر فعال کنید.

اما مواد خوراکی در اندازه های کم (تا 2 کیلوگرم) را می توان بدون استفاده از درجه «سوپرفریز» به داخل فریزر گذاشت.

### توجه

در مواقعی که عملکرد «فریز عالی» (سوپر) فعال باشد، ممکن است سروصدای دستگاه بیشتر باشد.

## روشن و خاموش کردن حالت «فریز سوپر»

### تصویر 2

دکمه سوپر 2 را فشار دهید.

در صورتی که حالت «فریز سوپر» (یخ زدن بسیار عالی) فعال باشد، چراغ دکمه روشن می شود.

حالت «فریز سوپر» پس از تقریباً 2½ روز به طور اتوماتیک به حالت عادی برمی گردد.

## جهیزات

(در همه مدل ها نیست)

## جعبه خوراکی های یخزده (بزرگ)

### تصویر 1/12

برای فریز کردن و انباشتن مقادیر بزرگ خوراکی های یخزده مانند بوقلمون، اردک و غاز.

## تقویم فریزر

### تصویر 7/A

برای جلوگیری از افت کیفیت خوراکی های یخزده، نمایان اهمیت است که تاریخ نگهداری و مصرف تعیین شده رعایت شود. طول زمان مجاز خوراکی های یخزده بستگی به نوع خوراکی دارد. اعداد مندرج در کنار سمبل ها اعداد ماه های زمان مجاز نگهداری آن ماده یخزده در فریزر است. در مورد غذاهای یخزده آماده ای که از بازار می خرید، به تاریخ تولید یا مصرف آن دقت کنید.

## فریز کردن مواد خوراکی تازه

تنها مواد تازه و سالم را جهت انجماد انتخاب کنید.

برای این که ارزش غذایی، عطر و رنگ خوراکی تا سرحد ممکن حفظ شود، بهتر است که سبزیجات را قبل از فریز کردن در آب جوش غوطه ور (بالانشر) کنید. این کار در مورد بادمجان، فلفل دلمه (پاپریکا)، کدو خورشتی و مارچوبه لازم نیست.

کتاب های مربوط به روش فریز کردن و بالانشر کردن، در کتابفروشی های تخصصی عرضه می شود.

### توجه

مواد آماده برای انجماد را با مواد غذایی منجمد در یک محل قرار ندهید، مواد غذایی را قبل از انجماد طوری بسته بندی کنید که هوا وارد نشود.

### خوراکی های مناسب برای فریز کردن:

کیک و شیرینی تازه، ماهی و خوراکی های دریائی، گوشت، گوشت شنکار، گوشت پرندگان، سبزیجات، میوه، گیاهان ادویه ای، زرده و سفیده تخم مرغ بدون پوست، لبنیات مانند پنیر، کره و پنیر تازه، غذای آماده، باقیمانده غذا نظیر سوپ، آش، گوشت و ماهی پخته، سوفله و خوراکی های شیرین.

### خوراکی های نامناسب برای فریز کردن:

سبزیجاتی که معمولاً آن را خام می خورند، مانند کاهو های سالاد، تربچه، تخم مرغ کامل، انگور، سیب درسته، گلابی و هلو، تخم مرغ پخته سفت، ماست، شیر، خامه ترش، سرشیر و مایونیز.

## بسته بندی مواد یخزده

با این کار مزه آنها حفظ شده و از خشک شدن آنها جلوگیری می شود.

1. مواد غذایی را درون پاکت بسته بندی قرار دهید.
2. هوا را بطور کامل با فشار خارج نمایید.
3. در بسته را خوب ببندید.
4. بر روی بسته بندی نام محتوا و تاریخ بسته بندی را بنویسید.

### مواد نامناسب برای استفاده جهت بسته بندی:

کاغذهای ضخیم، کاغذ پرگامنت، سلوفان، کیسه زیاله و کیسه خرید استفاده شده.

### مواد مناسب جهت بسته بندی:

فویل های ساخته شده از مواد مصنوعی، فویل های لوله ای ساخته شده از پلی اتیلن، فویل های آلومینیومی و قوطی های مخصوص فریزر. مواد مذکور در مغازه های مربوطه یافت می شوند.

### مواد مناسب برای محکم کردن درب بسته بندی:

بست یا کلیپس های ساخته شده از مواد مصنوعی، حلقه های لاستیکی، نخ های بسته بندی، نوار چسب های مقاوم در برابر سرما و غیره. شما می توانید کیسه و فویل های پلی اتیلنی را با دستگاه مسدود کننده کیسه های فویلی مسدود نمایید.

## زمان نگهداری مواد غذایی

این زمان بستگی به نوع ماده غذایی دارد و با درجه حرارت متوسط به ترتیب زیر می باشد 18- درجه سانتیگراد:

- ماهی، سوسیس، غذاهای آماده و شیرینی ها: تا حداکثر 6 ماه
- پنیر، گوشت پرندگان، مرغ و گوشت: تا حداکثر 8 ماه
- سبزی و میوه: تا حداکثر 12 ماه

## فریز کردن و انبار کردن مواد غذایی

### خرید مواد خوراکی یخ زده

- بسته بندی نباید صدمه دیده باشد.
- تاریخ مصرف باید در نظر گرفته شود.
- درجه حرارت در محفظه فروش مواد غذایی منجمد باید 18- درجه سانتی گراد یا حتی کمتر باشد.
- حتی الامکان مواد مذکور را در یک کیسه عایق حمل نموده و به سرعت آنها را در فریزر قرار دهید.

### در هنگام چیدن مواد خوراکی

#### در دستگاه توجه کنید

- مواد خوراکی در اندازه های بزرگ را در بالاترین قفسه، فریز کنید، چون در آنجا مواد خوراکی سریعتر یخ می زنند و نتیجتاً ارزش غذایی آن ها بهتر نگهداری می شود.
  - منافع تهیه در جداره عقب فریزر را با مواد خوراکی مسدود نکنید!
  - خوراکی ها را به صورت پهن در قفسه ها و جعبه قرار دهید.
- هشدار**
- خوراکی هایی که قبلاً یخ زده، نباید با خوراکی هایی که تازه در فریزر می گذارید تماس شوند. در صورت لزوم خوراکی های کاملاً یخ زده را در جعبه فریزر تلمبار کنید.
  - برای این که گردش هوا بدرستی در داخل فریزر انجام گیرد، باید ظروف داخل فریزر را طوری به داخل فشار داد که خوب جا بیفتد.

## فضای فریزر

### استفاده از فضای فریزر

- برای نگهداری خوراکی های یخزده
- برای تهیه یخ حبه ای
- برای فریز کردن مواد خوراکی

#### توجه

مراقب باشید که درب فریزر همیشه بسته باشد! گر در فریزر باز بماند، یخ مواد خوراکی ذوب می شود و داخل فریزر به شدت برفک و یخ می زند. علاوه براین: در اثر مصرف زیاد برق انرژی به هدر می رود.

## حداکثر گنجایش فریزر

اطلاعات مربوط به حداکثر گنجایش فریزر در مدت

24 ساعت در تابلو مشخصات مندرج است. تصویر 11

## هشدار آب شدن یخ

پس از فشار دادن دکمه هشدار 5، نشانگر دمای 5 به مدت پنج ثانیه، گرم ترین درجه دمائی را که در داخل فریزر حکمفرما بوده، نشان می دهد. پس از پنج ثانیه این عدد از نشانگر محو می شود.

نشانگر 4 درجه تنظیم شده دما را بدون چشمک زدن نشان می دهد.

از این لحظه به بعد گرمترین درجه دما، از نو شناسائی و در حافظه دستگاه ذخیره می شود.

### زنگ هشدار دما

صدای زنگ هشدار دما زمانی بلند می شود که دمای داخل فریزر بیش از حد مجاز گرم نشود و مواد یخ زده در معرض خطر باشند.

نشانگر دما 4 و دکمه هشدار 5 چشمک می زنند.

صدای زنگ هشدار دما ممکن است بدون این که خطری برای مواد یخزده باشد، در موارد زیر هم بلند نشود:

- در هنگام به راه اندازی دستگاه.
- در هنگام فریز کردن مقادیر زیاد خوراکی.
- در هنگامی که درب فریزر مدتی دراز باز بماند.

### قطع برق

#### تصویر 2

در مواقع قطع شدن برق دستگاه و گرم شدن دمای داخل فریزر و به خطر افتادن مواد خوراکی یخ زده، آزر قطع شدن برق، به صدا درمی آید.

در این مواقع دکمه هشدار 5 روشن می شود و علامت «PI» در روی نشانگر دمای 4 ظاهر می شود.

### توجه

مواد غذایی از انجماد خارج شده را مجدداً فریز ننمایید. تنها پس از کار بر روی این مواد (پختن یا سرخ کردن) می توان این مواد را مجدداً فریز نمود.

در این صورت نباید از حداکثر درجه انجماد استفاده نمود.

## خاموش کردن زنگ خطر

#### تصویر 2

با فشار دادن دکمه هشدار 5 صدای زنگ هشدار خاموش می شود.

## حجم مفید

اطلاعات مربوط به حجم مفید دستگاه را می توانید در پلاک مدل نصب شده در داخل دستگاه مشاهده کنید. تصویر 11

## از ظرفیت فریزر به طور کامل استفاده کنید

برای استفاده از حجم کامل فریزر می توان بعضی از تجهیزات داخلی آن را برداشت. در این صورت مواد غذایی را مستقیماً روی سبد فریزر انباشت کنید.

### توجه

برای رعایت اندازه های تعیین شده در تابلو مشخصات توصیه می شود که قسمت سقف و کف قفسه فریزر را از دستگاه خارج نکنید.

## برداشتن تجهیزات داخلی فریزر

- جعبه خوراکی های یخزده را تا نقطه گیر بیرون بکشید و سپس آن را از جلو کمی بلند کرده و خارج کنید. تصویر 4
- درجه قفسه فریزر تصویر 5
- 1. درجه قفسه فریزر را نیمه باز کنید،
- 2. گیره یک طرف آن را از نقطه اتصال جدا کنید،
- 3. درجه قفسه فریزر را به طرف جلو بکشید و گیره را بردارید،
- 4. گیره طرف دیگر را از جایش خارج کنید.
- در فریزهای دارای تجهیزات یخساز می توان این تجهیزات را از آن خارج کرد. تصویر 6

## روشن کردن دستگاه

تصویر 2

با کلید «روشن/خاموش» 1 دستگاه را روشن کنید.

زنگ هشدار به صدا در می آید. نشانگر دمای 4 چشمک می زند و چراغ دکمه هشدار 5 روشن می شود.

دکمه هشدار 5 را فشار دهید.

صدای زنگ هشدار خاموش می شود.

هنگامی که دمای داخل دستگاه به درجه تنظیم شده برسد، چراغ نشانگر دمای 4 روشن می شود.

## تذکراتی در باره کارکرد دستگاه

- پس از روشن کردن دستگاه ممکن است ساعت ها طول بکشد، تا دمای دستگاه به درجه تنظیم شده برسد.
- در اثر سیستم اتوماتیک «بی یخ» قفسه های داخل فریزر و یخچال همواره بدون برفک می ماند و در نتیجه نیازی به یخزدائی (دیفراست) نیست.
- بخشی از قسمت جلوی دستگاه اندکی گرم می شود، تا از ایجاد عرق و رطوبت در قسمت آب بندی درب دستگاه جلوگیری شود.
- اگر در فریزر پس از بسته شدن، دوباره فوراً باز نشود، لحظه ای صبر کنید تا فشار پائین هوا که در داخل فریزر ایجاد شده، مجدداً متعادل شود.

## تنظیم درجه حرارت

تصویر 2

### فضای فریزر

دمای دستگاه از منهای 16- درجه سانتیگراد تا منهای 26- درجه سانتیگراد قابل تنظیم است.

دکمه تنظیم دما 3 را آنقدر مکرراً فشار دهید تا روی درجه دمای مورد نظرتان قرار گیرد. درجه ای که اخیراً در صفحه ظاهر شد، در حافظه دستگاه ذخیره می شود.

درجه دمائی که انتخاب کرده اید، در نشانگر 4 ظاهر می شود.

دمای پیشنهادی از طرف کارخانه منهای 18- درجه سانتیگراد است.

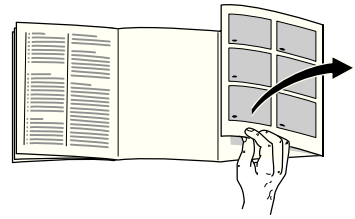
## عملکرد هشدار

در موارد زیر ممکن است زنگ هشدار به صدا در آید:

### زنگ هشدار در

اگر در دستگاه بیش از یک دقیقه باز بماند، زنگ هشدار در (زنگ ممتد) به صدا در می آید. با بسته شدن در، صدای زنگ دوباره خاموش می شود.

## آشنایی با دستگاه



لطفاً صفحه آخر دفترچه را باز کرده و به تصاویر آن نگاه کنید. این دفترچه راهنمای مصرف برای چند مدل مختلف تدوین شده است.

جهیزات مدل های مختلف ممکن است باهم متفاوت باشند. بنابراین امکان تفاوت هائی در جهیزات و جزئیات با تصاویر عرضه شده وجود دارد.

### تصویر 1

\* در همه مدل ها نیست

1-5 بلوی راهنما و مشخصات

6 روشننایی دیود نورافشان (LED)

7 سیستم «بی یخ»

8 دریچه قفسه فریزر

9 قفسه های شیشه ای

10 تهیه یخ حبه ای/جعبه پیتزا

11 جعبه خوراکی های یخزده (کوچک)

12 جعبه خوراکی های یخزده (بزرگ)

13 پیچ تراز پایه

14 باتری سرما \*

15 تقویم فریزر

16 سوراخ تهویه روی در

## تابلوی راهنمای کاربرد

### تصویر 2

#### 1 دکمه خاموش/روشن دستگاه

این دکمه برای روشن و خاموش کردن کل دستگاه است.

#### 2 دکمه «فریز سوپر»

این دکمه برای روشن و خاموش (فعال و غیرفعال) کردن حالت «فریز سوپر» (یخبند بسیار عالی) است.

در صورتی که حالت «فریز سوپر» (یخ زدن بسیار عالی) فعال باشند، چراغ دکمه روشن می شود.

#### 3 دکمه تنظیم دما

با این دکمه می توان دمای دخواه را تنظیم کرد.

#### 4 نشانگر دما

نشان دهنده درجه دمای تنظیم شده فریزر است.

#### 5 دکمه هشدار دما

این دکمه برای خاموش کردن هشدار صوتی است (توضیحات بیشتر در بخش «هشدار صوتی»).



## چگونگی اتصال دستگاه

بعد از استقرار دستگاه و قبل از اتصال آن به برق باید حداقل 1 ساعت صبر کنید، چون ممکن است در خلال حمل و نقل روغن داخل کمپرسور به سیستم سردکننده سرایت کرده باشد.

در حین حمل احتمال دارد که روغن موجود در کمپرسور در سیستم سرد کننده جمع گردد (نگاه کنید به بخش «تمیز نمودن دستگاه»).

## اتصال به شبکه برق

پریز برق باید نزدیک به دستگاه و حداکثر تا 3 متر از نصب دستگاه هم به خوبی در دسترس باشد.

این دستگاه منطبق است با استاندارد ایمنی درجه 1. این دستگاه را از طریق پریز مجهز به اتصال محافظ زمین که مطابق مقررات مونتاژ شده باشد، به برق متناوب 220 تا 240 ولت/50 هرتس وصل کنید. پریز برق باید دارای فیوز 10 تا 16 آمپر باشد.

جهت دستگاه هایی که در کشورهای غیراروپایی مورد استفاده قرار می گیرند، باید به پلاک مدل نصب شده در دستگاه مراجعه کنید تا مشخص گردد که آیا مشخصات داده شده در مورد ولتاژ برق با آنچه در کشور شما متداول است تطبیق می نماید یا خیر. این اطلاعات در تابلو مشخصات مندرج است. تصویر 11

### هشدار

این دستگاه هرگز نباید بوسیله دوشاخه الکترونیکی صرفه جوی انرژی به برق وصل شود.

برای راه اندازی دستگاه های ساخت کارخانه ما می توان از مبدل های سینوسی و متصل به برق استفاده کرد. مبدل های متصل به شبکه برق را می توان در مورد تجهیزات انرژی خورشیدی که به شبکه برق رسانی عمومی وصل می شوند، مورد استفاده قرار داد. اما در هنگام استفاده از سیستم برق خصوصی خودکفا (مثلا برای کشتی یا ویلا کوهستانی)، که دارای انشعاب از شبکه برق رسانی عمومی نیستند، باید از مبدل سینوسی استفاده شود.

## به دمای محیط و تهویه آن توجه کنید

### دمای محیط

این دستگاه برای منطقه جوی خاصی برنامه ریزی شده است. بسته به نوع منطقه جوی می توان این دستگاه را در دماهای زیر به کار انداخت.

نوع منطقه جوی در تابلو مشخصات مندرج است.

### تصویر 11

نوع محیط	درجه حرارت مجاز
SN	+10 تا 32 درجه سانتیگراد
N	+16 تا 32 درجه سانتیگراد
ST	+16 تا 38 درجه سانتیگراد
T	+16 تا 43 درجه سانتیگراد

### هشدار

این دستگاه در محدوده های دما که در جدول بندی منطقه های جوی اعلام شده، بخوبی کار می کند. اگر دستگاهی را که برای منطقه جوی SN ساخته شده، در دمای سردتر به کار بیاندازید، آسیب هایی که به دستگاه وارد می شود تا میزان +5 سانتیگراد نمی تواند مشمول ضمانت باشد.

## تهویه

### تصویر 3

ورود و خروج هوای سیستم سرد کننده تنها از طریق دریچه هوای موجود در پایه دستگاه میسر است. به هیچ وجه نباید دریچه هوا بسته و یا چیزی در جلوی آن قرار داده شود، در غیر این صورت سیستم سرد کننده بیش از حد معمول فعال می شود که سبب افزایش مصرف برق خواهد شد.

## چگونگی دفع مواد زائد

### دفع مواد بسته بندی

بسته بندی دستگاه جهت جلوگیری از خسارت به دستگاه شما می باشد. کلیه مواد موجود در بسته بندی غیرآلاینده بوده و قابل استفاده مجدد می باشند. لطفاً همکاری نموده و این مواد را مطابق با مقررات زیست محیطی دفع نمایید. لطفاً جهت چگونگی دفع این مواد با روش مدرن، اطلاعات لازم را از فروشنده و یا از شهرداری محل خود کسب نمایید.

### چگونگی دفع دستگاه های قدیمی

دستگاه های قدیمی زباله بی ارزش محسوب نمی شوند. با روش صحیح دفع مطابق با مقررات زیست محیطی می توان مواد خام با ارزشی را بازیافت کرد.

این دستگاه مطابق با مقررات اروپایی شماره 2002/96/EC برای دستگاه های برقی و الکترونیکی در مورد

(waste electrical and electronic equipment – WEEE)

می باشد. این اساسنامه در سراسر اتحادیه اروپا چارچوبی را جهت بازیافت گسترده مواد زائد و دستگاه های قدیمی ارائه می نماید.

### هشدار

پس از غیر قابل استفاده شدن دستگاه

1. دوشاخه را از برق بیرون بکشید.
2. کابل را قطع نموده و سیم برق را جدا کنید.
3. قفسه ها و جعبه ها را از دستگاه خارج نکنید تا کودکان نتوانند به داخل دستگاه بروند.
4. نگذارید کودکان با دستگاه های از کارافتاده بازی کنند. خطر خفگی در داخل دستگاه!

دستگاه های سرد کننده دارای مواد سرد کننده بوده و در قسمت عایق بندی شده نیز گاز وجود دارد. مواد سرد کننده و گاز موجود باید با روشی تخصصی دفع گردند. لوله های چرخش مواد سرد کننده تا زمان دفع تخصصی آنها توسط افراد متخصص باید سالم بمانند.

## محتویات بسته کالا

پس از باز کردن بسته بررسی کنید که هیچ یک از قطعات داخل آن در هنگام حمل و نقل آسیبی ندیده باشد.

در صورت مشاهده اشکال به فروشنده ای که دستگاه را از او خریده اید یا مرکز خدمات پس از فروش برای رفع اشکال مراجعه کنید.

بسته دستگاه شامل قطعات زیر است:

- دستگاه استاندارد
- پاکت حاوی وسائل مونتاژ
- تجهیزات دستگاه (بسته به نوع مدل)
- دفترچه راهنمای استفاده
- دفترچه راهنمای مونتاژ
- فهرست مراکز خدمات پس از فروش
- برگه ضمانت
- اطلاعاتی در باره مصرف انرژی و صداهای دستگاه

## وجود کودکان در خانه

- مواد بسته بندی و قطعات آن را در اختیار کودکان نگذارید. خطر خفگی بوسیله کارتون های ناشو و مشماهای بسته بندی وجود دارد!
- این دستگاه اسباب بازی کودکان نیست!
- در مورد دستگاه هائی که درشان قفل دارد: کلید را دور از دسترس کودکان نگهداری کنید!

## مقررات کلی

این دستگاه برای مصارف زیر مناسب است:

- برای فریز کردن مواد خوراکی،
- برای تهیه یخ.
- استفاده از این دستگاه فقط در مصارف خانگی و استفاده شخصی و در محیط خانگی مجاز است.
- این دستگاه فقط برای مصارف خانگی تولید شده است.
- این دستگاه مطابق استاندارد شماره (2004/108/EC) اتحادیه اروپا دارای امکان عدم اخلاص امواج رادیویی است.
- چرخش مواد سردکننده از نقطه نظر عدم نشست مورد آزمایش قرار گرفته است.
- این دستگاه مطابق مقررات معتبر مربوط به ایمنی دستگاه های الکتریکی (EN 60335-2-24) ساخته شده است.

- از پایه دستگاه، قطعات کشوئی، درب ها و غیره بعنوان رکاب برای تکیه دادن و بالا رفتن استفاده نکنید.
- هنگام یخزدایی و تمیز کردن دستگاه، آن را از برق جدا کرده یا فیوز را قطع نمایید. دوشاخه را از پریز جدا کنید، کابل را نکشید.
- درب مواد حاوی الکل زیاد را فقط محکم بسته و بحالت ایستاده نگهداری کنید.
- قسمت های لاستیکی و درزگیرهای درب را با روغن یا چربی آغشته نکنید. در غیر اینصورت، قسمت های مذکور متخلخل می شوند.
- درپچه های ورود و خروج هوا را هرگز مسدود و یا بسته نگه ندارید.
- استفاده از این دستگاه توسط اشخاصی (با شمول کودکان) که دارای محدودیت جسمی یا روحی یا حساس باشند یا از اطلاعات کمتری برخوردارند فقط زیر نظر یا راهنمایی کامل اشخاص صلاحیت دار که مسئولیت ایمنی آنان را به عهده دارند، مجاز است.
- هرگز مایعات را در شیشه یا قوطی کنسرو در فریزر نگهداری نکنید (به ویژه نوشیدنی های حاوی گاز کربنیک) در غیر این صورت خطر ترکیدن شیشه یا کنسرو وجود دارد.
- هرگز مواد یخزده را بلافاصله پس از خروج از فریزر وارد دهان ننمایید.
- خطر سوزش ناشی از مواد یخزده!
- از تماس طولانی دست با مواد یخ زده، یخ و یا لوله های تبخیر فریزر و غیره خودداری کنید.
- خطر سوزش ناشی از مواد یخزده!

## دستورالعمل های ایمنی و هشدارها

### قبل از شروع به کار و استفاده از دستگاه

دستورالعمل های استفاده از دستگاه و چگونگی نصب قطعات آن را به دقت مطالعه نمایید. این دستورالعمل ها حاوی اطلاعات مهمی در مورد چگونگی نصب، استفاده و نگهداری دستگاه می باشند.

کلیه دستورالعمل ها را جهت استفاده بعدی یا برای استفاده صاحب بعدی دستگاه نگهداری کنید.

### امنیت تکنیکی

این دستگاه به مقدار کم حاوی ماده سرد کننده قابل اشتعال R600a می باشد که با قوانین زیست محیطی مطابقت دارد. بنابراین مراقب باشید که لوله های پرخش مواد سرد کننده هنگام حمل و نقل و نصب قطعات دستگاه آسیب نبینند. پاشیده شدن مواد سرد کننده به بیرون، سبب آسیب دیدن چشم و یا عفونی شدن آن می گردد.

در صورت آسیب دیدن این لوله ها به نکات زیر توجه کنید

- آتش و یا منبع ایجاد آتش را از دستگاه دور نگه دارید.
- به مدت چند دقیقه فضا را تهویه نمایید.
- دستگاه را خاموش کرده و دوشاخه را از پریز بکشید.
- بخش خدمات دستگاه را از جریان مطلع نمایید.

هرقدر میزان مواد سردکننده در دستگاه بیشتر باشد، به همان نسبت باید فضای دربرگیرنده دستگاه بزرگتر باشد- در یک فضای کوچک، در صورت نشستن، مخلوطی ازگاز و هوای قابل اشتعال تشکیل می گردد.

به ازای هر هشت گرم مواد سردکننده باید محل قراردادن دستگاه حداقل یک متر مکعب فضا داشته باشد. مقدار مواد سرد کننده دستگاه شما در داخل صفحه مشخص کننده نوع دستگاه نوشته شده است.

اگر کابل برق دستگاه آسیب دیده باشد، باید توسط سازنده دستگاه، یا مرکز خدمات پس از فروش یا اشخاص با صلاحیت مشابه، تعویض گردد.

عملیات تعویضی یا تعمیری دستگاه توسط اشخاص بی صلاحیت ممکن است منجر به خطرات مهم برای مصرف کننده دستگاه بشود.

تعمیر دستگاه فقط توسط سازنده دستگاه یا مرکز خدمات پس از فروش یا اشخاص با صلاحیت مشابه مجاز است.

فقط استفاده از لوازم یدکی اورجینال سازنده دستگاه مجاز است. فقط در صورت استفاده از این لوازم یدکی، سازنده تأمین حداکثر ایمنی دستگاه را ضمانت می کند.

سیم رابط دستگاه فقط از مرکزخدمات پس از فروش قابل تهیه است.

### هنگام استفاده از دستگاه به نکات زیر توجه کنید

- هرگز دستگاه های برقی دیگر را در داخل این دستگاه بکار نگیرید (بطور مثال دستگاه گرم کننده، یخ ساز برقی و غیره).
- خطر انفجار!
- هرگز جهت یخزدایی یا تمیزکردن دستگاه از دستگاه بخارشور استفاده نکنید. در این صورت، بخار به درون بخش های الکتریکی نفوذ کرده و منجر به قطع برق می گردد.
- خطر برق گرفتگی!
- هرگز برای زدودن لایه های نازک یخ یا جدا کردن مواد یخزده که به دیواره فریزر چسبیده اند، از چاقو یا اجسام تیز استفاده نکنید. این امر می تواند به آسیب دیدن لوله های مواد سردکننده منجر گردد. نشستن مواد سرد کننده، عفونی شدن و یا صدمه دیدن چشم را در پی دارد.
- هرگز دستگاه را با گازهای قابل اشتعال نظیر اسپری ها و همچنین مواد منفجر شونده در یک محل انبار نکنید. خطر انفجار!

## مراكز خدمة العملاء

سوف تجد رقم الهاتف الخاص بأقرب مركز خدمة العملاء لك بدليل التليفون الرسمي أو في قائمة فهرس مراكز خدمة العملاء. رجاء ذكر رقم المنتج (E-Nr.) وكذلك رقم التصنيع (FD-Nr.) الخاص بالجهاز لمركز خدمة العملاء.

سوف تجد هذه البيانات بلوحة الطراز. الصورة 11

الرجاء مساعدة مركز خدمة العملاء على توفير نفقات غير ضرورية ذلك بذكر رقم المنتج ورقم التصنيع حيث يمكن بذلك توفير نفقات إضافية قد تنشأ نتيجة لعدم ذكر تلك البيانات.

## التكليف بأعمال إصلاح وتقديم المشورة في حالات الخلل

بيانات الاتصال الخاصة بجميع الدول جُدونها في سجل مراكز خدمة العملاء المورد مع الجهاز.

## الاختبار الذاتي للجهاز

جهازكم مزود ببرنامج اختبار ذاتي أوتوماتيكي، وهذا البرنامج يقوم بإظهار مصادر الخطأ أو الخلل التي لا يكون من الممكن التخلص منها إلا من قبل مركز خدمة العملاء المختص بكم.

### بدء الاختبار الذاتي للجهاز

1. يتم إبطال عمل الجهاز والانتظار لمدة 5 دقائق.
2. يتم تشغيل الجهاز، ويتم في أثناء العشرة ثواني الأولى الضغط على زر «سوبر» (super)، الصورة 2/2. والاستمرار في الضغط عليه لمدة 3-5 ثواني إلى أن يتم إطلاق إشارة صوتية.

برنامج الاختبار الذاتي يبدأ.

أثناء كون الاختبار الذاتي قيد الإجراء يتم إطلاق إشارة صوتية طويلة.

عندما يكون الاختبار الذاتي قد انتهى ويتم إطلاق إشارة صوتية مرتين فإن الجهاز يكون سليماً ولا يوجد أي خلل فيه. في حالة ما إذا أضاء زر «سوبر» بإضاءة متقطعة لمدة 10 ثواني وتم إطلاق إشارة صوتية 5 مرات، عندئذ فإن ذلك يعني أنه يوجد خطأ أو خلل في الجهاز. يرجى منكم الاتصال بمركز خدمة العملاء وإعلامه بذلك.

### إنهاء الاختبار الذاتي للجهاز

بعد انتهاء البرنامج فإن الجهاز يتحول إلى وضع التشغيل العادي.

العطل	السبب المحتمل	إزالة الأعطال
تفاوت كبير بين درجة الحرارة الفعلية والدرجة الجارية الضبط عليها.		يمكن في بعض الحالات التغلب على هذا الخلل من خلال إيقاف تشغيل الجهاز لمدة 5 دقائق. إذا كانت درجة الحرارة عالية أكثر من اللازم فينبغي التأكد بعد مرور ساعات قليلة من حدوث تقارب بين مستوى درجتي الحرارة الفعلية والمفترضة. وإذا كانت درجة الحرارة منخفضة أكثر من اللازم فينبغي التأكد في اليوم التالي مرة أخرى من مستوى درجة الحرارة.
كافة المؤشرات الضوئية لا تضيء؛	انقطاع التيار الكهربائي؛ مفتاح المنصهر مغلق؛ قابس سلك التوصيل غير مثبت في مكانه جيداً	يتم توصيل قابس الجهاز بالمقبس. يتم مراجعة ما إذا كان التيار الكهربائي موجوداً، ويتم مراجعة المصاهر.
باب حيز التجميد كان مفتوحاً لوقت طويل؛ درجة الحرارة لم يعد من الممكن الوصول إليها.	قد تكونت طبقة كثيفة جداً من الجليد على المبخر (جهاز إصدار البرودة)، بحيث لا يمكن إزالة طبقة الجليد هذه عن طريقة نظام إذابة الجليد أوتوماتيكياً.	لإزالة الجليد عن المبخر يتم إخراج الحاويات الأدرج بما تحتويه من المواد الغذائية المجمدة ويتم حفظها عليها في مكان بارد حال كونها معزولة جيداً. يتم إيقاف تشغيل الجهاز ويتم دفعه وإبعاده عن الحائط. يتم ترك باب الجهاز مفتوحاً. يبدأ الثلج في الذوبان بعد مرور حوالي 20 دقيقة وينساب في وعاء التبخير (يوجد بخلف الجهاز، أنظر الصورة 10) يجب في هذه الحالة تخفيف الماء المناسب لوعاء التبخير من حين لآخر بقطعة من الإسفنج حتى لا يفيض الماء خارج الوعاء. بعد توقف انسياب الماء إلى وعاء التبخير يكون الجليد المتكون على المبخر قد ذاب. ينظف الجهاز من الداخل. ثم يتم إعادة تشغيل الثلاجة مرة أخرى.



## توفير الطاقة الكهربائية

- يجب نصب الجهاز في حجرة جافة قابلة للتهوية، وعدم تعريض الجهاز لأشعة الشمس المباشرة وعدم وضعه بالقرب من مصدر حراري (مثل جهاز التدفئة أو الموقد). وعند الاضطرار لذلك يفصل بينهما بلوح عازل.
- يجب عدم وضع أي شيء يمكن أن يغطي فتحات التهوية وتصريف الهواء.
- المواد الغذائية والمشروبات الدافئة يجب تركها خارج الجهاز حتى تكون قد بردت ثم يتم وضعها في الجهاز! يفضل وضع المواد الغذائية المجمدة في حيز التبريد حتى يذوب الثلج منها. وبهذا تستخدم البرودة المنبعثة من المواد المجمدة في تبريد المواد الغذائية الأخرى.
- الحرص على عدم فتح باب الثلاجة إلا لفترات قصيرة جداً بقدر الإمكان.
- يجب التأكد من أن يكون باب حيز التجميد مغلقاً دائماً.
- لتجنب زيادة معدل استهلاك التيار الكهربائي فإنه يجب تنظيف الجانب الخلفي للجهاز من حين إلى آخر.
- في حالة وجود محدد المسافة الفاصلة عن الحائط: يتم تركيب محدد المسافة الفاصلة عن الحائط وذلك لكي يتم الوصول إلى قيمة استهلاك الجهاز للطاقة المحددة في مستندات الجهاز (أنظر تعليمات التركيب). عند كون المسافة الفاصلة عن الحائط أقل من القدر المطلوب فإن ذلك لا يؤثر سلباً على الأداء الوظيفي للجهاز. إلا أن استهلاك الطاقة يمكن أن يتغير بقدر بسيط. المسافة الفاصلة عن الحائط يجب ألا تتجاوز 75 ملليمتر.

## الأصوات الصادرة أثناء عمل الثلاجة

### الأصوات العادية تماماً

#### الهدير

الحركات تعمل (على سبيل المثال وحدات التبريد، المراوح).

#### أصوات الدمدمة والقرقرة والأزيز

مادة التبريد تنساب خلال مواسير التوصيل.

#### صوت «كليك»

الحرك أو مفاتيح القطع والوصل أو الصمامات

المغناطيسية يتم تشغيلها/إيقاف تشغيلها.

### الأصوات التي يسهل إزالتها

#### الجهاز ليس منصوب باستواء أفقي

رجاء نصب الجهاز باستواء أفقي بالاستعانة بميزان ماء.

وتستخدم لذلك الحوامل القلاووظ أو يمكن وضع شيء ما

تحت الحوامل.

#### الجهاز «مسنود»

رجاء تحريك الجهاز بعيداً عن الأثاث أو الأجهزة المسنودة

عليه.

#### الحاويات أو أسطح الحفظ تهتز أو منحشرة

رجاء فحص الأجزاء التي يمكن فصلها أو سحبها وإعادة

تركيبها مرة أخرى عند اللزوم.



## التجهيزات

لغرض التنظيف فإن كافة الأجزاء القابلة للتشكيل المتنوع الخاصة بالجهاز يمكن أن يتم إخراجها من الجهاز (أنظر فصل التجهيزات).

### تنظيف جهاز إعداد الثلج

جهاز إعداد مكعبات الثلج يجب أن يتم تنظيفه بصورة منتظمة. من خلال ذلك يتم تجنب أن يتناقص حجم مكعبات الثلج أو أن تكون ذات مذاق مشابه لمذاق الماء الراكد أو أن تلتصق ببعضها.

1. يتم إخراج جهاز إعداد مكعبات الثلج. الصورة 6
2. يتم إخراج حاوية تخزين مكعبات الثلج ويتم إفراغها.
3. يتم إخراج غطاء جهاز إعداد مكعبات الثلج.
4. يتم تنظيف كافة أجزاء جهاز إعداد الثلج الفردية عن طريق غسلها بماء دافئ.
5. يتم ترك الأجزاء إلى أن تكون قد جفت تماما.
6. يتم تركيب الأجزاء مع بعضها ويتم تركيب جهاز إعداد مكعبات الثلج.

## الإضاءة (LED)

الجهاز الخاص بكم مزود بإضاءة LED (صمامات ثنائية باعثة للضوء) ليست في حاجة إلى صيانة. يحظر إجراء أية أعمال إصلاح لهذه الإضاءة إلا من قبل مركز خدمة العملاء أو من قبل عمالة تقنية متخصصة معتمدة ومرخص لها بإجراء مثل هذه الأعمال.

## تنظيف الجهاز

### ⚠ انتبه

- ممنوع تماما استخدام مواد التنظيف التي تحتوي على رمال أو كلوريد أو أحماض أو مواد إذابة كيميائية.
- ممنوع تماما استخدام قطع الاسفنج الخشنة أو قطع التنظيف المعدنية حيث أنها تلحق أضرار وخدوش بالأسطح المعدنية.
- ممنوع تماما تنظيف الأرفف والأدراج بغسالة الأواني الكهربائية حيث أن ذلك يؤدي إلى تعرضها للانحناء.

### تنبيه هام

قبل إزالة الطبقة الثلجية بمدة قدرها حوالي 4 ساعات يتم تشغيل التجميد الشديد (سوبر)، وذلك لكي تصل المواد الغذائية إلى درجة حرارة منخفضة (باردة) جدا ومن خلال ذلك يصبح من الممكن الحفاظ عليها لوقت أطول في درجة حرارة الغرفة العادية.

## قم باتباع الخطوات التالية:

1. يجب إبطال عمل الجهاز قبل الشروع في تنظيفه.
2. يجب فصل الكهرباء عن الجهاز، بسحب القابس من المقبس أو إبطال عمل المنصهر.
3. يتم إخراج المواد الغذائية المجمدة وحفظها بمكان بارد ووضع ألواح التجميد عليها. يتم وضع الصندوق الباعث للبرودة (في حالة ما إذا كان قد تم توريده مع الجهاز) على المواد الغذائية.
4. ثم قم بتنظيف الجهاز باستخدام ماء دافئ مخلوط بقليل من مادة غسيل الأطباق. ويجب مراعاة عدم دخول ماء التنظيف إلى داخل واجهة المراقبة.
5. يجب تنظيف حشية الباب عن طريق مسحها بالماء النظيف دون خلطه بأية مواد تنظيف وتخفيفها بعد ذلك جيدا بفوطة جافة.
6. بعد الانتهاء من التنظيف قم بتوصيل الجهاز بالتيار الكهربائي وأعد تشغيله
7. يتم إعادة وضع المواد الغذائية المجمدة في الجهاز.

## الصناديق الباعثة للبرودة

الصورة B/7

يحول الصندوق الباعث للبرودة دون الانخفاض السريع لدرجة حرارة المواد الغذائية المجمدة والمحفوظة داخل الجهاز في حالة انقطاع التيار الكهربائي أو عند حدوث عطب. ويتم التوصل إلى أطول فترة لتخزين المواد الغذائية المجمدة عند وضع الصندوق الباعث للبرودة في القسم العلوي بشكل مباشر فوق المواد الغذائية.

يمكن حفظ الصناديق الباعثة للبرودة في الدرج المخصص لها بباب الجهاز من أجل توفير المكان.

ويمكن كذلك إخراج الصندوق الباعث للبرودة واستخدامه للحفاظ المؤقت على درجة حرارة المواد الغذائية، على سبيل المثال في حقيبة تبريد معدة لذلك.

## معد الثلج

الصورة 8

لإعداد مكعبات ثلج يجب عدم استخدام أي سائل سوى ماء الشرب وحده دون غيره.

1. يتم إخراج وعاء الماء وتعبئته بماء شرب حتى العلامة.

### ملاحظة

عند تعبئة وعاء الماء بقدر يزيد عما ينبغي من ماء الشرب، فإن ماء الشرب الزائد هذا يمكن أن يؤدي إلى التأثير سلباً على الأداء الوظيفي لجهاز إعداد مكعبات الثلج. مكعبات الثلج لا تنحل بصورة فردية من وعاء مكعبات الثلج بل تكون ملتصقة ببعضها. القدر الزائد من ماء الشرب ينساب في وعاء الماء ومكعبات الثلج الموجودة تتجمد ملتصقة ببعضها.

2. يتم تعبئة ماء شرب في فتحة التعبئة.

3. يتم إعادة تركيب وعاء الماء في موضعه.

4. عندما تكون مكعبات الثلج قد تجمدت بالفعل يتم ضغط المقبض لأسفل ثم يتم تركه.

مكعبات الثلج تتفكك من الوعاء وتسقط في حاوية تخزين مكعبات الثلج.

5. يتم سحب حاوية تخزين مكعبات الثلج للخارج ويتم أخذ مكعبات الثلج.

## وعاء مكعبات الثلج

الصورة 9

1. يتم ملء وعاء مكعبات الثلج بماء بنسبة 80% ثم يتم وضعه في حيز التجميد.

2. يجب استخدام أدوات غير حادة لنزع أواني الثلج الملتصقة (بد ملعقة).

3. لتفريغ الثلج يحمل الوعاء مهلة قصيرة تحت ماء منساب أو يرج الوعاء عدة مرات.

## إبطال عمل الجهاز وعدم استخدامه لفترة طويلة

### إبطال عمل الجهاز

الصورة 2

اضغط على زر التشغيل/الإبطال 1.

حينئذ يطفئ مؤشر درجة الحرارة وتتوقف ماكينة التبريد عن العمل.

### عدم استخدام الجهاز لفترة طويلة

يجب إجراء ما يلي في حالة عدم استخدام الجهاز لفترة طويلة:

1. يتم إبطال عمل الجهاز.

2. فصل التيار الكهربائي بسحب القابس من المقبس.

3. تنظيف الثلاجة.

4. يترك باب الثلاجة مفتوحاً.

## إذابة الثلج

### حيز التجميد

يظل قسم التجميد خالياً من الثلج بفضل النظام المانع لتراكم الثلج على نحوٍ آليٍّ كامل. وعليه فإن عملية تراكم الثلوج أصبحت أمراً غير قائم.

## إذابة جليد الأطعمة المجمدة

- يمكن اختيار أحد الأساليب التالية حسب نوع المواد المجمدة والغرض من الاستخدام: تركها لتذوب
- بدرجة حرارة الغرفة
- في الثلاجة العادية
- في فرن الموقد الكهربائي، باستخدام مروحة الهواء الساخن أو بدونها
- في جهاز فرن المايكروويف

### ⚠ انتبه

- لا يمكن إعادة تجميد الأطعمة بعد ذوبان جليدها مرة أخرى. يجب أولاً إعدادها من خلال (طهيها أو قليها) أو خضيرها كوجبة جاهزة ثم تجميدها مرة أخرى.
- لا يُنصح بترك الأطعمة المخزنة حتى أقصى فترة تخزين.

## التجهيزات

(لا توجد في جميع الطرازات)

### حاوية حفظ المواد المجمدة (كبيرة)

الصورة 1/12

لتجميد وحفظ المواد الغذائية الكبيرة الحجم المطلوب تجميدها، مثل الدجاج الرومي والبط والإوز.

### الجدول الزمني للتجميد

الصورة 7/A

لتجنب حدوث أي إضرار بجودة المواد الغذائية المجمدة فإنه يكون من الهام أن يتم عدم تجاوز مدة التخزين القصوى المسموح بها. مدة التخزين تكون متوقفة على نوع المواد الغذائية المجمدة. تشير الأرقام المتواجدة بجوار الرموز إلى المدة الشهرية المفترضة لحفظ المواد الغذائية المجمدة. ويبغي الانتباه إلى تاريخ الإنتاج أو تاريخ الصلاحية بالنسبة للمواد الغذائية المجمدة المعروضة للبيع في المحلات التجارية.

## التجميد الشديد (سوبر)

يجب أن يتم تجميد المواد الغذائية تماماً حتى قلبها بأسرع ما يمكن. بهذه الطريقة فقط يمكن المحافظة على الفيتامينات وقيمته الغذائية مظهرها الخارجي وطعمها. لتجنب تعرض مواد غذائية المجمدة بالفعل في الحيز الخاص بالتجميد لارتفاع درجة حرارتها، يجب قبل وضع مواد غذائية طازجة بعدة ساعات تشغيل التجميد الشديد (سوبر).

بعد تشغيل التجميد الشديد (سوبر) فإن الجهاز يعمل بصورة متواصلة، في حيز التجميد يتم الوصول إلى درجة حرارة منخفضة (باردة) جداً.

عند الرغبة في استخدام السعة القصوى لحيز التجميد فيجب أن يتم تشغيل التجميد الشديد (سوبر) قبل وضع المواد الغذائية الطازجة بمدة قدرها 24 ساعة.

يمكن تجميد كميات المواد الغذائية القليلة (حتى 2 كغ) دون تشغيل التجميد الشديد (سوبر).

### ملاحظة

عندما يكون التجميد الشديد (سوبر) مشغلاً فإنه يمكن أن يحدث وتكون الأصوات الصادرة أثناء عمل الثلاجة مرتفعة نسبياً.

### تشغيل/إبطال التجميد الشديد

الصورة 2

يتم ضغط زر التجميد الشديد «سوبر» 2.

عندما يكون التجميد الشديد مشغلاً فإن الزر يكون مضيئاً.

ويتم إبطال عمل التجميد الشديد السوبر تلقائياً بعد مرور حوالي 2½ أيام على بدء تشغيله.

## تغليف المواد الغذائية المطلوب تجميدها

يجب تعبئة المواد الغذائية بحيث لا يتسرب إليها الهواء وذلك حتى لا تفقد طعمها أو تتعرض للجفاف.

1. قم بتغليف المواد الغذائية.
2. قم بإفراغ الهواء من التغليف تماما.
3. ثم اغلق العبوة بإحكام.
4. قم بتسجيل محتوى العبوة وتاريخ حفظها على الغلاف.

### المواد المناسبة للتغليف هي:

أكياس ورقائق البلاستيك، الرقائق الخرطومية المصنوعة من البولي إيثيلين، رقائق الألومنيوم وعلب التجميد.

هذه المنتجات متوفرة لدى المتاجر المتخصصة.

### المواد غير المناسبة للتغليف هي:

ورق الفرن، الورق الصامد للشحم، ورق السيلوفان، أكياس القمامة وأكياس المشتريات المستعملة.

### المواد المناسبة لإحكام الغلق هي:

الحلقات المطاطية، المشابك البلاستيكية، خيوط الربط، شرائط اللصق التي تتحمل البرودة أو ما شابه ذلك. يمكن لحام فتحات الأكياس والرقائق الخرطومية بواسطة جهاز لحام الأكياس البلاستيكية.

## مدة الصلاحية للتخزين

تحدد فترة التخزين المسموح بها طبقاً لنوع المواد الغذائية.

في درجة حرارة متوسطة يمكنك تخزين 18- درجة مئوية:

- الأسماك والنقائق والأطعمة الجاهزة والأطعمة المجمدة لفترة تصل إلى 6 أشهر
- والجبن ولحوم الطيور واللحوم لفترة تصل إلى 8 أشهر
- والخضروات والفاكهة لفترة تصل إلى 12 أشهر

## تجميد وتخفظ المواد الغذائية

في حالة القيام بتجميد المواد الغذائية بنفسك، فيجب عدم استخدام سوى المواد الغذائية الطازجة الخالية من العيوب فقط.

من أجل المحافظة بأكبر قدر ممكن على القيمة الغذائية والنكهة واللون يجب تبيض الخضروات بماء مغلي قبل تجميدها. فيما يتعلق بالباذنجان والفلفل الحلو (الرومي) والكوسة (القرع) وجذور الهليون فإن التبييض لا يكون لازماً.

في المكتبات توجد كتب تدور حول التجميد، وهذه الكتب تحتوي أيضاً على وصف تفصيلي لعملية التبييض بالماء المغلي.

### ملاحظة

ويجب في ذلك مراعاة عدم تلاصق المواد الغذائية الطازجة المطلوب تجميدها مع المواد الغذائية المجمدة بالفعل.

### ■ المواد الغذائية المناسبة للتجميد هي:

المواد الغذائية المجمدة، الأسماك وفواكه البحر، اللحوم، ولحوم الحيوانات البرية، لحوم الطيور، الخضروات، الفواكه، الأعشاب، البيض بدون قشرة، منتجات الألبان مثل الجبن والزبد والقشدة، الأطعمة الجاهزة وبقيايا الأطعمة مثل أنواع الحساء، أنواع اليخنة، اللحوم والأسماك التي تم إنضاجها، أطعمة البطاطا (البطاطس)، وأطعمة الصواني المنضجة في الفرن والأطعمة الحلوة.

### ■ المواد الغذائية الغير مناسبة للتجميد هي:

أنواع الخضروات التي يتم في المعتاد تناولها نيئة بدون إنضاج مثل خضروات السلطات الورقية أو الفجل، البيض في قشره، العنب، ثمار التفاح والكمثرى (الإجاص) والدراق (الخوخ) الكاملة، البيض المسلوق، الزبادي (الروب)، اللبن الرائب، القشدة الرائبة، والكرمية الرائبة وصلصة المايونيز.

## تجميد وحفظ المواد الغذائية

### يجب مراعاة ما يلي عند شراء الأطعمة

#### المجمدة

- تأكد من عدم وجود أية شقوق أو أضرار بأغلفة الأطعمة.
- تأكد أن تاريخ الصلاحية لم ينتهي بعد.
- يجب أن يظهر في بيان درجة الحرارة بتلاجة المتجر -18 درجة مئوية أو أبرد.
- ينبغي وضع الأطعمة المجمدة في حقيبة عازلة للحرارة ونقل الأطعمة بسرعة إلى المنزل وحفظها فوراً في الحيز الخاص بالتجميد.

### عند ترتيب المواد الغذائية يجب مراعاة

#### ما يلي

- عند الرغبة في تجميد كميات كبيرة من المواد الغذائية يفضل وضعها في الدرج العلوي حيث يتم تجميدها بسرعة مما يحافظ في نفس الوقت على القيم الغذائية بها.
- يجب الانتباه لعدم وضع المواد الغذائية المجمدة أمام فتحات التهوية بالجانب الخلفي للجهاز.
- يتم وضع المواد الغذائية في الأدراج أو في حاويات التجميد بحيث يتم توزيعها على كامل مسطح أرضية الدرج أو الحاوية.

#### ملاحظة

- يجب مراعاة عدم حدوث تلامس بين المواد الغذائية المجمدة بالفعل وبين المواد الغذائية الطازجة المطلوب تجميدها. عند الاقتضاء يتم إعادة رص وتكديس المواد الغذائية المجمدة بالفعل فوق بعضها في الحاويات المعدة للتجميد.
- ينبغي دائماً الانتباه إلى دفع كافة الأدراج المعدة لتجميد المواد الغذائية إلى النهاية أي حتى الاصطدام بخلفية الجهاز، حيث أن هذا يلعب دوراً هاماً بالنسبة لسريان دورة الهواء داخل الجهاز بدوا عوائق.

## حيز التجميد

### استخدام حيز التجميد

- إن حيز التجميد مجهز لحفظ المواد الغذائية المجمدة.
- ولإعداد الثلج.
- ولتجميد كميات قليلة من المواد الغذائية.

#### ملاحظة

- رجاء الانتباه لإحكام غلق باب حيز التجميد بصفة دائمة.
- ترك باب الحيز مفتوحاً يؤدي إلى ذوبان ثلج المواد المجمدة.
- كما يؤدي إلى تراكم الثلج بحيز التجميد.
- إضافة إلى ذلك يرتفع استهلاك الجهاز للطاقة الكهربائية.

## السعة القصوى للتجميد

- تجد على لائحة الطراز السعة القصوى المتاحة خلال 24 ساعة طبقاً لطراز الجهاز. صورة **11**

## الحجم المباح للاستخدام

تتواجد الإيضاحات المتعلقة بالحجم الكلي المتاح للاستخدام على لوحة المواصفات الفنية الملتصقة على الجهاز. صورة 11

### إمكانية تخزين أقصى كمية ممكنة من المواد الغذائية المجمدة

يمكنك نزع التجهيزات الداخلية بالجهاز للتمكن من جَميد أقصى كمية متاحة بالجهاز وتخزين المواد الغذائية على الأرفف مباشرة.

#### ملاحظة

للتمكن من تخزين السعة المسجلة على لائحة الطراز يجب تركيب كل من الرفي العلوي والسفلي.

### نزع التجهيزات الداخلية

■ حاوية المواد الغذائية المجمدة يتم سحبها للخارج حتى النهاية ويتم رفعها قليلا من الأمام ويتم إخراجها.

#### الصورة 4

■ رف قلاب لحيز التجميد

#### الصورة 5

1. يتم فتح غطاء حيز التجميد بمقدار النصف،

2. يتم فك الماسك من أحد جانبيه من الجهاز،

3. يتم سحب غطاء حيز التجميد إلى الأمام ثم

يتم إخراجها من الماسك،

4. يتم فك الماسك من جانبه الآخر من الجهاز.

■ كذلك يمكن نزع تجهيزة إعداد الثلج في حالة نوافرها

#### بالجهاز كما في. الصورة 6

### التحذير الخاص بدرجة الحرارة

عندما تكون درجة الحرارة في حيز التجميد أعلى مما ينبغي، أي عندما تتعرض المواد المجمدة لخطر التلف.

البيان الضوئي الخاص بدرجة الحرارة 4 و زر التحذير 5 يضيئان بإضاءة متقطعة.

ويمكن أن ينطلق صوت التحذير دون تعرض المواد المجمدة لخطر التلف في الحالات التالية:

- عند تشغيل الجهاز لأول مرة،
- عند إضافة كمية كبيرة من مواد غذائية طازجة،
- عند فتح باب حيز التجميد لفترة أطول مما ينبغي.

### تحذير انقطاع التيار الكهربائي

#### صورة 2

ينطلق تحذير تحذير انقطاع التيار الكهربائي عندما تكون درجة الحرارة في الجهاز مرتفعة أكثر مما ينبغي بسبب انقطاع التيار الكهربائي وتكون المواد الغذائية معرضة لخطر التلف.

زر التحذير 5 يضيء، ويتم إظهار «PI» في البيان الضوئي الخاص بدرجة الحرارة 4.

#### ملاحظة

لا يمكن إعادة جَميد الأطعمة بعد ذوبان جليدها مرة أخرى. يجب أولاً إعدادها من خلال (طهيها أو قليها) أو تحضيرها كوجبة جاهزة ثم جَميدها مرة أخرى.

لا يُنصح بترك الأطعمة الحزنة حتى أقصى فترة تخزين.

### إبطال صوت التحذير

#### صورة 2

من خلال الضغط على زر التحذير 5 يتم إبطال صوت التحذير.

## تشغيل الجهاز

صورة 2

يتم تشغيل الجهاز بضبط زر التشغيل/الإبطال رقم 1.

ينطلق صوت تحذير. البيان الضوئي الخاص بدرجة الحرارة 4 يضيء بإضاءة متقطعة والبيان الضوئي الخاص بالتحذير 5 يضيء.

يتم الضغط على زر التحذير 5. صوت التحذير ينقطع.

عندما يكون حيز التجميد قد وصل إلى درجة الحرارة المطلوبة فإن البيان الضوئي الخاص بدرجة الحرارة 4 يضيء.

## تنبيهات لتشغيل الجهاز

- بعد إعمال تشغيل الجهاز فإن الأمر قد يستغرق ساعات متعددة حتى تكون درجة الحرارة التي تم الضبط عليها قد تم الوصول إليها.
- يظل قسم التجميد خالياً من الثلج بفضل النظام المانع لتراكم الثلج على نحو آلي كامل. وعليه فإن عملية تراكم الثلوج أصبحت أمراً غير قائم.
- ويجري على نحو خفيف تدفئة جوانب هيكل الجهاز من الناحية المحتوية على إشارات النجوم ما يحول دون تكون ماء ناتج عن التكثف في نطاق الشريط المطاطي المانع للتسرب من جهة الباب.
- الجهاز مجهز بفتحات باب لتصريف الهواء، وذلك لكي يتم منع تولد ضغط منخفض (سالب) في حيز التجميد ولكي يكون باب الجهاز من الممكن فتحه في كل وقت بسهولة.

## تشغيل الجهاز

صورة 2

### حيز التجميد

يمكن ضبط درجة الحرارة على درجة تتراوح بين 16- درجة مئوية و 26- درجة مئوية.

يستمر الضغط على زر ضبط درجة الحرارة رقم 3 حتى يضيء المؤشر الضوئي بدرجة الحرارة المطلوبة. يتم تسجيل آخر درجة تم ضبطها بالجهاز.

يضيء المؤشر الضوئي رقم 4 بدرجة الحرارة التي تم ضبطها. من المصنع المنتج فأنتنا ننصح بأن يتم ضبط حيز التجميد على درجة حرارة قدرها 18- درجة مئوية.

## وظيفة التحذير

في الحالات التالية يمكن أن يتم إطلاق صوت تحذير.

### التحذير الخاص بالباب

ينطلق صوت التحذير الخاص بالباب (صوت متواصل) عند ترك باب الجهاز مفتوحاً لمدة تزيد عن دقيقة واحدة. من خلال إغلاق الباب فإن صوت التحذير يتم إبطاله.

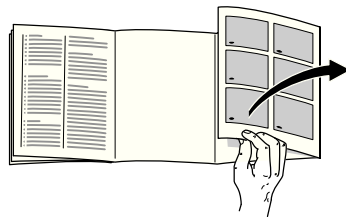
### تحذير بدء ذوبان جليد المواد المجمدة

بعد الضغط على زر التحذير 5 يتم في البيان الضوئي الخاص بدرجة الحرارة 1 ولدة خمس ثوان إظهار أعلى درجة حرارة كانت سائدة في حيز التجميد. بعد ذلك فإن هذه القيمة يتم محوها من الذاكرة.

البيان الضوئي 4 يظهر درجة الحرارة التي تم ضبطها لحيز التجميد، وبدون أن يضيء بإضاءة متقطعة.

اعتباراً من هذه اللحظة فإنه يتم من جديد قياس أعلى درجة حرارة ويتم تخزينها في الذاكرة.

## تعرف على جهازك الجديد



افتح من فضلك الصفحة الأخيرة المطوية التي تتضمن الأشكال التوضيحية.

جهازيات الطرازات يمكن أن تكون مختلفة من طراز إلى آخر. إن دليل الاستخدام هذا مُعدّ للفييف من الأطرزة، وقد ينجم عن ذلك تفاوت بشأن الأشكال التوضيحية.

صورة 1

\* لا توجد في جميع الطرازات

1-5 واجهه التشغيل

6 الإضاءة (LED)

7 جّهيزة عدم تراكم الجليد

8 رف قلاب لحيز التجميد

9 رف زجاجي

10 جّهيزة إعداد مكعبات الثلج/حاوية مكعبات الثلج

11 حاوية حفظ المواد المجمدة (صغيرة)

12 حاوية حفظ المواد المجمدة (كبيرة)

13 حوامل قابلة للضغط

14 الصناديق الباعثة للبرودة \*

15 جدول زمني لتسجيل تاريخ التجميد

16 فتحات الباب لتصريف الهواء

## واجهة التشغيل

صورة 2

1 مفتاح التشغيل/الإبطال

يستخدم لتشغيل/إبطال عمل الجهاز.

2 مفتاح التجميد الشديد «سوبر»

يستخدم لتشغيل/إبطال عمل جّهيزة التجميد الشديد.

عندما يكون التجميد الشديد مشغلاً فإن الزر يكون مضيقاً.

3 مفتاح ضبط درجة الحرارة

باستخدام هذا الزر يتم ضبط درجة الحرارة المرغوب فيها.

4 البيان الضوئي الخاص بدرجة الحرارة

تظهر به درجة الحرارة التي تم ضبطها بحيز التجميد.

5 زر التحذير

يستخدم لإبطال صوت التحذير

(أنظر فصل وظيفة التحذير).



## توصيل الجهاز بالتيار الكهربائي

ينبغي بعد نصب الجهاز الانتظار لمدة ساعة على الأقل قبل تشغيل الجهاز لأول مرة. فمن الممكن أثناء النقل أن يحدث انتقال للزيت المتواجد بماكينة التبريد إلى شبكة التبريد. فمن الممكن أثناء النقل أن يحدث انتقال للزيت المتواجد بماكينة التبريد إلى شبكة التبريد.

يجب تنظيف الحيز الداخلي للجهاز قبل تشغيله لأول مرة (أنظر فصل تنظيف الجهاز).

## توصيل الجهاز بالتيار الكهربائي

من اللازم أن يكون المقبس موجودا بالقرب من الجهاز ويلزم أن يكون من الممكن الوصول إليه بسهولة حتى بعد نصب الجهاز.

الجهاز متوافق مع متطلبات مستوى الحماية I. يتم توصيل الجهاز بتيار كهربائي متردد 220-240 فولت/50 هرتز عبر مقبس جرى تركيبه على نحو مطابق للمواصفات ومجهز بسلك تأريض وافي. ويجب أن يكون المقبس مؤمن بواسطة منصهر تصل قدرته من 10 إلى 16 أمبير.

بالنسبة للأجهزة التي تستخدم في دول غير أوروبية، فيجب الرجوع إلى لوحة الطراز لمعرفة إذا ما كانت البيانات المذكورة بها والخاصة بجهد التيار ونوعه تتطابق مع القيم الخاصة بشبكة التيار الكهربائي الخاصة بك.

هذه البيانات توجد على لوحة بيانات الطراز. الصورة 11



لا يسمح على وجه الإطلاق بأن يتم توصيل الجهاز بقوابس إلكترونية لتوفير الطاقة.

يمكن استخدام العاكسات الكهربائية الموجهة بمنحنى جيبي والعاكسات الكهربائية الموجهة بالشبكة لغرض استخدام الأجهزة المنتجة من قبلنا. في حالة تطبيق أحد حلول الجزيرة (المواقع المنعزلة) (على سبيل المثال في السفن أو الأكواخ الجبلية) والتي لا يتوفر لها وصلة مباشرة بشبكة التيار الكهربائي العمومية، فإنه يلزم استخدام عاكسات كهربائية موجهة بمنحنى جيبي (عاكسات زينوس).

## يرجى مراعاة درجة حرارة الوسط المحيط والتهوية

### درجة حرارة الوسط المحيط

الجهاز مصمم ومعد للعمل في درجة تصنيف لطقس محيط معينة. بالتوقف على درجة تصنيف الطقس المحيط يمكن تشغيل الجهاز في درجات حرارة الوسط المحيط المذكورة فيما يلي.

تصنيف الطقس يكون مذكورا في لوحة بيانات الطراز.

الصورة 11

درجة حرارة الوسط	درجة تصنيف الطقس المحيط
SN	+10 حتى 32 درجات مئوية
N	+16 حتى 32 درجات مئوية
ST	+16 حتى 38 درجات مئوية
T	+16 حتى 43 درجات مئوية

### ملاحظة

الجهاز يكون في حالة صلاحية تامة لأداء وظيفته عند تشغيله في داخل نطاق حدود درجات حرارة الوسط المحيط الخاصة بتصنيف الطقس المحيط المنصوص عليها. في حالة تشغيل جهاز من درجة تصنيف الطقس المحيط SN في درجات حرارة وسط محيط باردة (منخفضة) عما ينبغي، فإنه يمكن الانطلاق بصورة قاطعة من عدم حدوث أي تلف أو ضرر بالجهاز حتى درجة حرارة قدرها +5 درجات مئوية.

## التهوية

صورة 13

تهوية ماكينة التبريد يتم فقط من خلال شبكة التهوية الموجودة بالقاعدة. لذلك لا يجب بأية حال من الأحوال تغطية شبكة التهوية. عدم إتاحة ذلك يدفع ماكينة التبريد على العمل بقدرة أكبر مما يؤدي بالتالي لزيادة استهلاك الكهرباء.

## ⚠️ تحذير

جعل الجهاز القديم غير صالح للاستخدام:

1. فصل التيار الكهربائي بسحب القابض من المقبس.
  2. قطع سلك التوصيل الكهربائي واستعباده مع القابض.
  3. يجب عدم إخراج الرفوف والحاويات من الجهاز، وذلك لأنها تشكل عوائق تجعل من الأكثر صعوبة على الأطفال أن يقوموا بالتسلق إلى داخل الجهاز!
  4. يجب عدم ترك الأطفال ليلعبوا بالجهاز الذي انتهى عمره التشغيلي. خطر حدوث اختناق!
- تحتوي أجهزة التبريد على مواد تبريد كما تحتوي على غازات في الأجزاء العازلة. يجب تصريف مواد التبريد والغازات بطريقة تقنية صحيحة. لذلك يجب الحرص على عدم الإضرار بالمواسير الخاصة بمسار دورة مادة التبريد وذلك حتى يتم تصريفها بالطريقة التقنية الصحيحة.

## متضمنات التوريد

بعد فض مواد التغليف يجب فحص جميع الأجزاء للكشف عما قد يوجد بها من تلف أو ضرر.

في حالة وجود أي عيب يرجى منكم الاتصال بالتاجر الذي اشتريتم الجهاز منه أو الاتصال بمركز خدمة العملاء التابع لنا.

متضمنات التوريد تتكون من الأجزاء التالية:

- جهاز للنصب المنفرد
- كيس يتضمن لوازم التركيب
- التجهيزات (بالتوقف على الطراز)
- تعليمات لاستخدم
- تعليمات التركيب
- دفتر خدمة العملاء
- مرفق بيان الضمان
- معلومات بشأن توفير الطاقة وأصوات التشغيل

## إرشادات التخلص من الفضلات

### ♻️ التخلص من تغليف الجهاز الجديد

يعمل التغليف على حماية جهازك الجديد من التعرض لأي تلف في الطريق حتى يصل إليك. جميع المواد المستخدمة في التغليف غير ضارة بالبيئة ويمكن إعادة استخدامها. لذلك نرجو منك المساهمة معنا: تخلص من مواد التغليف بطريقة تحافظ على البيئة.

رجاء الاستفسار عن أحدث طرق التخلص من الفضلات لدى المتجر المتخصص الخاص بمنطقتك أو لدى إدارة البلدية المختصة بك.

### ♻️ التخلص من الجهاز القديم

الأجهزة القديمة ليست مجرد نفايات عديمة القيمة! فعن طريق التخلص من النفايات بأسلوب يحافظ على البيئة يمكن الحصول مرة أخرى على مواد أولية ذات قيمة عالية.

هذا الجهاز مصنّف طبقاً للتعليمات الأوروبية 2002/96/EG المتعلقة بالأجهزة الكهربائية والإلكترونية المستهلكة

(waste electrical and electronic equipment – WEEE)

وتحدد هذه التعليمات الإطار المتعلق باسترجاع الأجهزة المستهلكة والاستفادة من خاماتها في كل أنحاء الاتحاد الأوروبي. يمكن الحصول على المعلومات المتعلقة بأحدث الأساليب الجارية للتخلص من الأجهزة المستهلكة عند أحد المحلات التجارية المتخصصة أو لدى إدارة المدينة.

## في حالة وجود أطفال بالمنزل

- يجب عدم ترك مواد التغليف للأطفال حيث ذلك يعرضهم لخطر الاختناق بواسطة علب الورق المقوى ورفائق البلاستيك.
- الجهاز ليس لعبة بلهى بها الأطفال.
- بالنسبة للأجهزة ذات الأقفال يجب حفظ المفاتيح بعيداً عن متناول الأطفال.

## قواعد عامة

- هذا الجهاز مخصص فقط
- جَميد المواد الغذائية،
- لتحضير الثلج.
- هذا الجهاز معد ومخصص للاستخدام في الأغراض المنزلية في المساكن الخاصة (غير التجارية أو الاحترافية) وفي نطاق البيئة المنزلية فقط.
- هذا الجهاز مخصص للاستخدام المنزلي.
- تم اختبار الحجب الكهربائي بالجهاز طبقاً للقواعد السارية بالمجموعة الأوروبية (2004/108/EC).
- قد تم فحص مسار دورة مادة التبريد للتأكد من عدم حدوث تسرب.
- تم تصنيع هذا الجهاز طبقاً لقواعد الأمان السارية لتصنيع الأجهزة الكهربائية (EN 60335-2-24).

- لا يجب إساءة استخدام الحوامل أو الأجزاء القابلة للسحب الخارج أو الأبواب أو ما إلى ذلك، فلا يصح الوقوف أو الاستناد عليها.
- يجب عند القيام بإذابة الجليد أو بتنظيف الجهاز فصل الكهرباء عن الجهاز، بسحب القابس من المقبس أو إبطال عمل المنصهر. ويراعى سحب القابس نفسه وعدم جذب السلك.
- لا يجب تخزين سوائل تحتوي على نسبة عالية من الكحول في التلاجة إلا إذا كانت في عبوات مغلقة بإحكام وفي الوضع القائم.
- لا يجب تلوين الأجزاء المصنوعة من البلاستيك أو حواشي إحكام غلق الباب بالزيت أو بالدهون، لأن ذلك يساعد على تكوين مسام في الأجزاء البلاستيكية وحواشي الباب.
- يجب عدم تغطية أو وضع أشياء على فتحات التهوية أو فتحات إخراج الهواء.
- يجب عدم استخدام هذا الجهاز من قبل الأشخاص (بما يشمل الأطفال) ذوي القدرات البدنية أو الحسية أو الذهنية المحدودة أو نقص في المعارف والمعلومات إلا عندما يكون جاري الإشراف عليهم من قبل شخص مختص بسلامتهم وأمانهم أو بعد أن يكون قد تم من قبل هذا الشخص إعطائهم إرشادات تفصيلية بشأن كيفية استخدام الجهاز.
- ممنوع تماماً جَميد السوائل الموجودة داخل زجاجات أو علب معدنية (المشروبات الغازية بصفة خاصة). خطر انفجار الزجاجات والعلب.
- لا يجب أخذ المواد الغذائية المتجمدة من حيز التجميد ووضعها في الفم مباشرة.
- خطر التعرض للحرق نتيجة لدرجة الحرارة المنخفضة جداً!
- يجب تجنب إمساك المواد المتجمدة أو الآيس كريم أو وصلات التبريد بالأيدي فترة طويلة.
- خطر التعرض للحرق نتيجة لدرجة الحرارة المنخفضة جداً!

## إرشادات وتحذيرات خاصة بالأمان

### قبل أن تبدأ في تشغيل الجهاز لأول مرة

يجب قراءة تعليمات الاستخدام وتعليمات التركيب كاملة وبعناية واهتمام!

فهذه التعليمات تحتوي على معلومات هامة خاصة بنصب الجهاز وطريقة استخدامه وصيانته

لذا نرجو بالاحتفاظ بتعليمات الاستخدام وتعليمات

التركيب وإعطاء تلك التعليمات لمن يؤهل له الجهاز فيما بعد.

### إرشادات أمان تقنية

يحتوي الجهاز على كمية قليلة من مادة التبريد R600a وهي لا تضر البيئة ولكنها قابلة للاشتعال. نرجو الانتباه إلى عدم إصابة مواسير مسار دورة مادة التبريد بأية أضرار أثناء نقل الجهاز أو تركيبه. من الممكن أن تتسبب الرذاذ المتناثر من مادة التبريد في إحداث إصابات بالعين كما أنه من الممكن أن يشتعل.

في حالة إصابة الجهاز بأضرار يجب:

- ألا تكون أية نيران مكشوفة أو مصادر لإشعال النار قريبة من المكان.
- فصل التيار الكهربائي بسحب القابض من المقبس.
- افصل الجهاز عن التيار الكهربائي بسحب القابض من المقبس.
- إخبار مركز الخدمة بالحادث.

كلما زادت كمية مادة التبريد في أي جهاز، كلما كان من الضروري أن يتسع حجم المكان الذي يتواجد فيه هذا الجهاز. من الممكن في حالة الغرف الصغيرة أكثر ما ينبغي أن يتكون خليط من الغاز والهواء قابل للاشتعال عند حدوث تسرب لمادة التبريد.

يجب أن يكون هناك تناسب بين حجم الحجرة وكمية مادة التبريد بحيث يكون متاحاً لكل 8 غرام من مادة التبريد حيز لا يقل عن متر مكعب واحد. كمية مادة التبريد الموجودة في الجهاز الخاص بكم مدونة على لوحة الطراز المثبتة بالحيز الداخلي للجهاز.

في حالة حدوث تلف بسلك التوصيل بالتيار الكهربائي، عندئذ يلزم أن يتم استبداله من قبل منتج الجهاز أو أحد مراكز الخدمة التابعة له أو من قبل شخص حائز على تأهيل تقني مشابه. أعمال التركيب أو الإصلاح التي يتم إجرائها بطريقة تخالف الأصول يمكن أن تتسبب في تعريض مستخدم الجهاز لمخاطر جسيمة.

يجب عدم إجراء أية أعمال إصلاح في الجهاز إلا من قبل منتج الجهاز أو أحد مراكز الخدمة التابعة له أو من قبل شخص حائز على تأهيل تقني مشابه.

لا يسمح باستخدام أية قطع غيار غير قطع الغيار الأصلية المصنوعة من قبل منتج الجهاز. فقط عند استخدام قطع الغيار الأصلية هذه فإن منتج الجهاز يكفل كون قطع الغيار هذه تفي بمتطلبات السلامة والأمان.

لا يسمح باستخدام أية توصيلة إطالة لسلك التوصيل بالتيار الكهربائي إلا تلك التي يتم الحصول عليها لدى مركز خدمة العملاء.

### يجب مراعاة ما يلي عند الاستخدام

- ممنوع تماماً استخدام أية أجهزة كهربائية في داخل الثلاجة (مثل أجهزة التسخين أو التدفئة أو أجهزة إعداد الثلج الكهربائي وما إلى ذلك).  
خطر الانفجار!
- ممنوع تماماً استخدام جهاز تنظيف بالبخار من أجل إذابة الجليد بالثلاجة أو تنظيفها! فمن الممكن أن يصل البخار إلى بعض الأجزاء الكهربائية ويسبب بها ماس كهربائي أو يتسبب في إصابة أحد الأشخاص بالصعق الكهربائي.
- ممنوع تماماً حك طبقات الجليد المتراكمة أو محاولة نزع المواد الغذائية المجمدة الملتصقة بالجهاز باستخدام سكين أو أية آلة حادة حيث قد يؤدي ذلك إلى إصابة مواسير مسار دورة التبريد بأضرار. من الممكن أن تتسبب الرذاذ المتناثرة من مادة التبريد في إحداث إصابات بالعين كما أنه من الممكن أن يشتعل.
- لا يجب تخزين أية منتجات تحتوي على غازات قابلة للاشتعال (مثل عبوات الرش) في الثلاجة أو أية مواد قابلة للانفجار.  
خطر الانفجار!

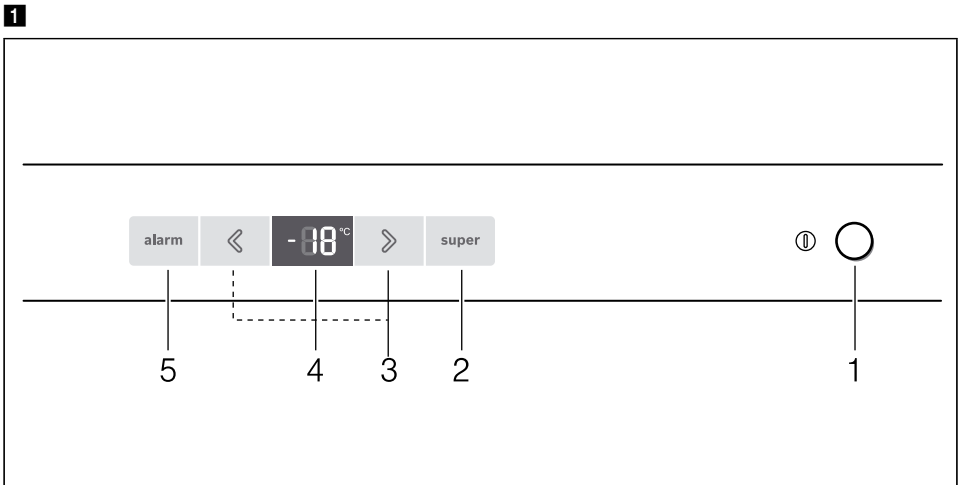
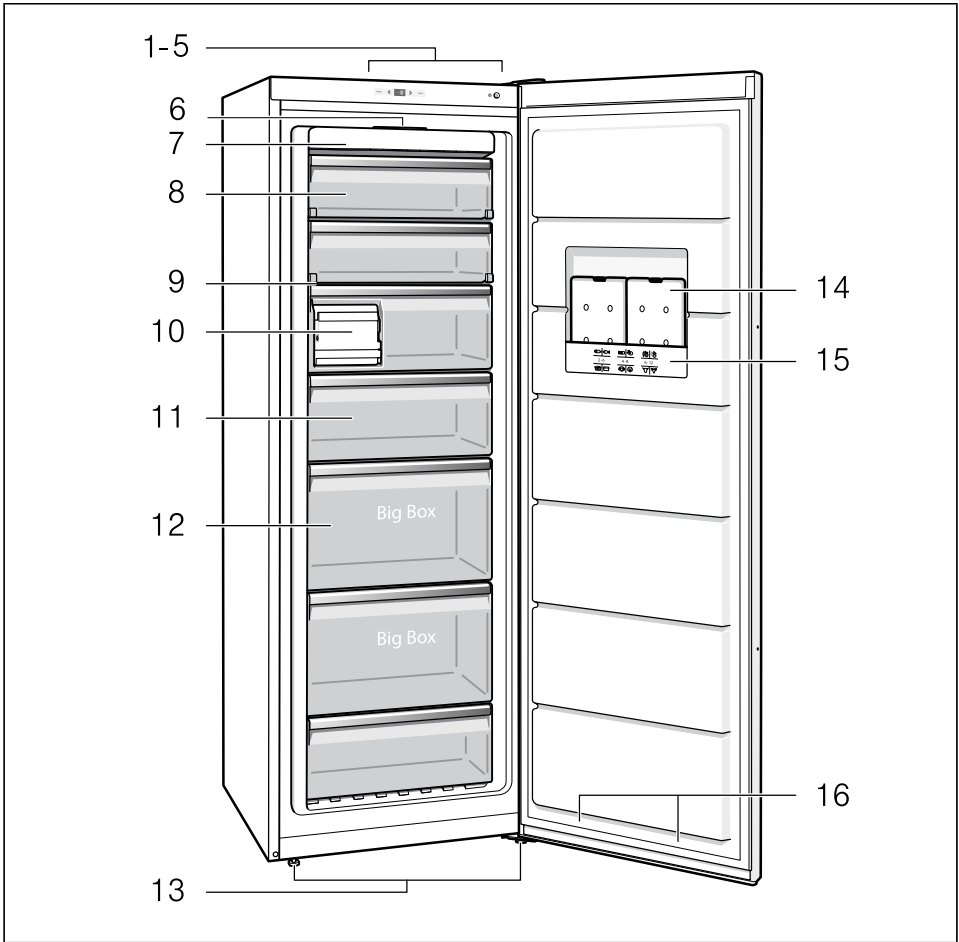
## ar فهرس المحتويات

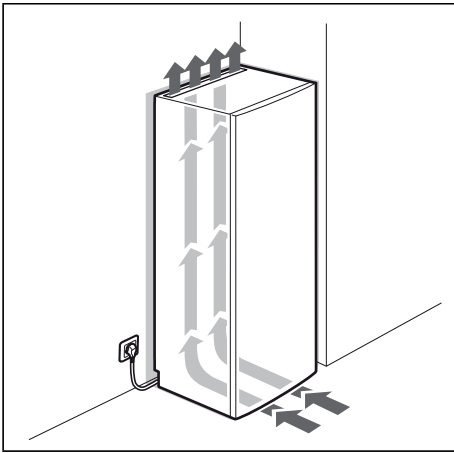
12	تجميد وحفظ المواد الغذائية	4	إرشادات وخذيرات خاصة بالأمان
13	التجميد الشديد (سوبر)	6	إرشادات التخلص من الفضلات
13	إذابة جليد الأطعمة المجمدة	6	متضمنات التوريد
13	التجهيزات	7	يرجى مراعاة درجة حرارة الوسط المحيط والتهوية
14	إبطال عمل الجهاز وعدم استخدامه لفترة طويلة	7	توصيل الجهاز بالتيار الكهربائي
14	إذابة الثلج	8	تعرف على جهازك الجديد
15	تنظيف الجهاز	9	تشغيل الجهاز
15	الإضاءة (LED)	9	تشغيل الجهاز
16	توفير الطاقة الكهربائية	9	وظيفة التحذير
16	الأصوات الصادرة أثناء عمل الثلاجة	10	الحجم المالح للاستخدام
17	إزالة الأعطال البسيطة بنفسك	11	حيز التجميد
19	الاختبار الذاتي للجهاز	11	السعة القصوى للتجميد
19	مراكز خدمة العملاء	11	تجميد وحفظ المواد الغذائية

## fa فهرست مطالب

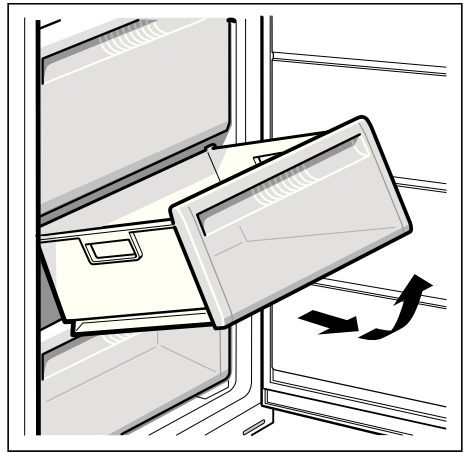
29	«فريز سوبر» (يخ زدن بسيار عالی)	20	دستورالعمل های ایمنی و هشدارها
29	يخزدايي مواد منجمد	22	چگونگی دفع مواد زائد
29	تجهيزات	22	محتويات بسته کالا
	خاموش کردن و عدم استفاده از دستگاه	23	به دمای محیط و تهویه آنتوجه کنید
30	برای مدت طولانی	23	چگونگی اتصال دستگاه
30	يخزدائی	24	آشنایی با دستگاه
31	تميز نمودن دستگاه	25	روشن کردن دستگاه
31	سیستم روشنائی LED	25	تنظیم درجه حرارت
32	صرفه جویی در مصرف انرژی	25	عملکرد هشدار
32	صداهاي ناشی از کارکرد دستگاه	26	حجم مفید
33	مشكلات کوچکي که می توان آنها را برطرف نمود	27	فضای فريزر
35	برنامه خودآزمائی دستگاه	27	حداکثر گنجایش فريزر
35	سرويس دهی به مشتریان	27	فريز کردن و انبار کردن مواد غذائی
		28	فريز کردن مواد خوراکی تازه



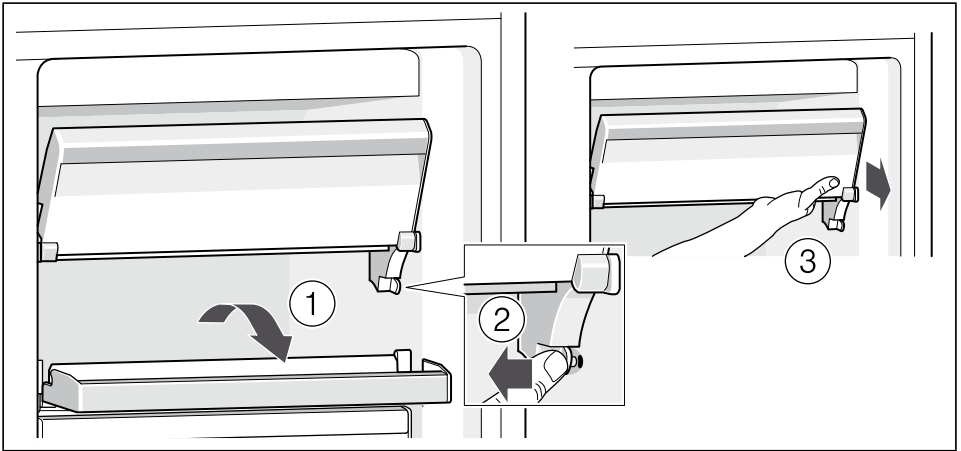




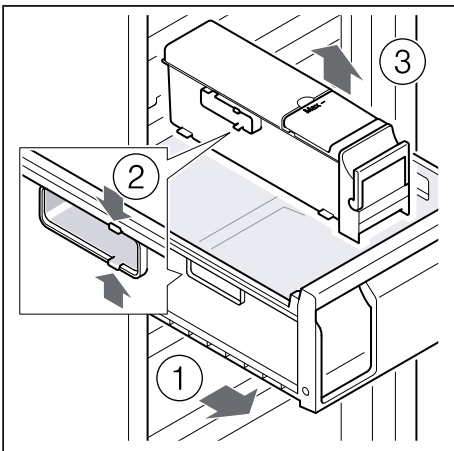
3



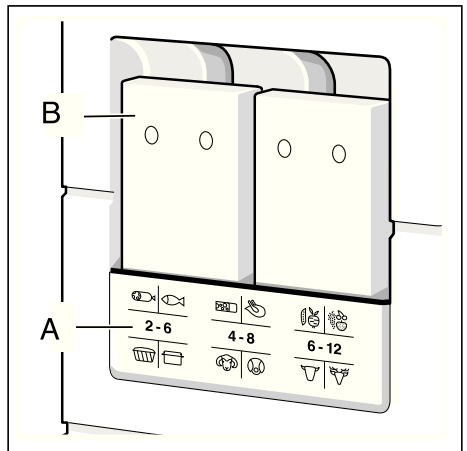
4



5

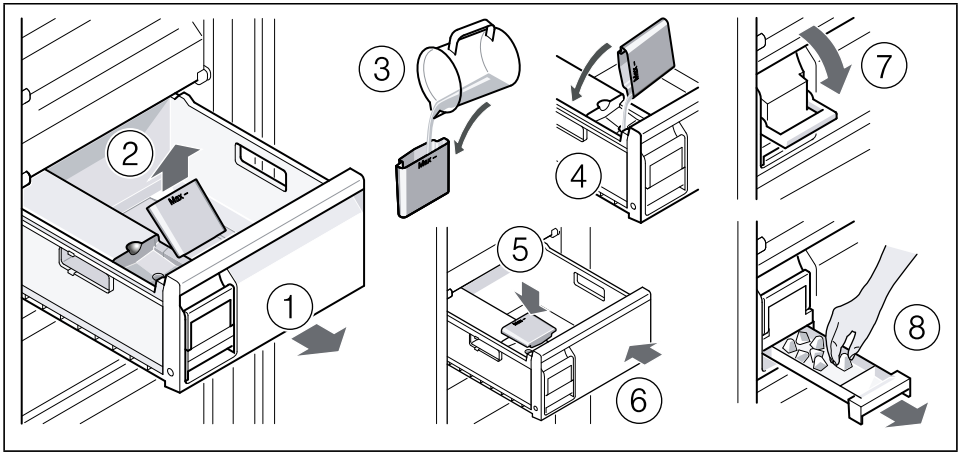


6

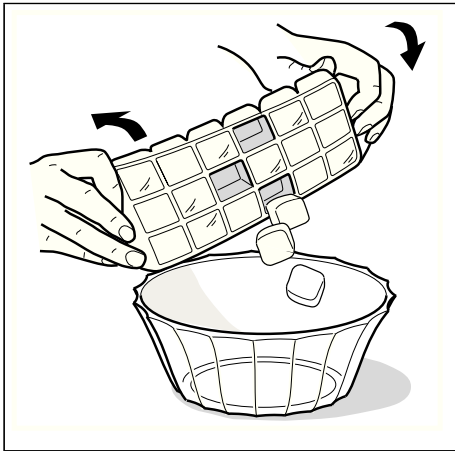


7

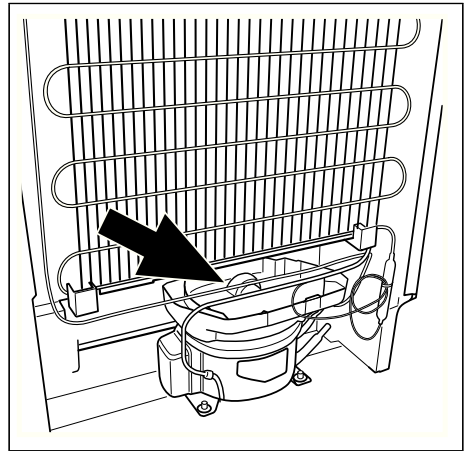




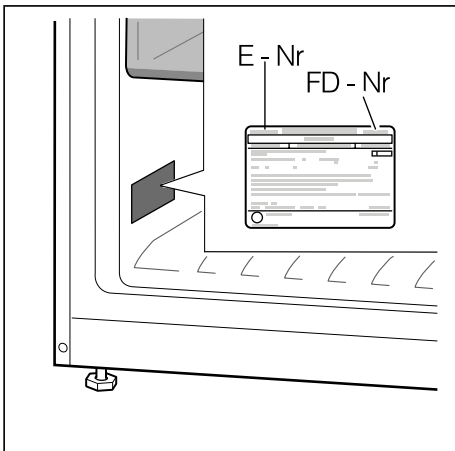
8



9



10



11



**Robert Bosch Hausgeräte GmbH**

Carl-Wery-Straße 34

81739 München

DEUTSCHLAND



9000674113 (9207)

en, fr, ar, fa