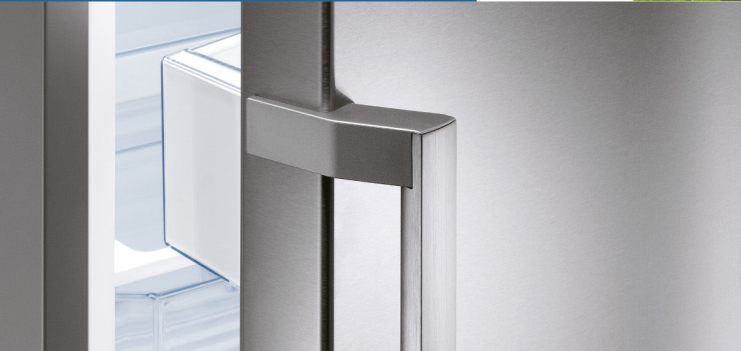




Register your new Bosch now:  
[www.bosch-home.com/welcome](http://www.bosch-home.com/welcome)



**Fridge-freezer**  
**Réfrigérateur / Congélateur combiné**

ثلاجة تبريد وجميد  
يخچال-فریزر سرهم

**KIL.. / KFL..**



**BOSCH**

- en** User manual
- fr** Notice d'utilisation
- ar** دليل الاستخدام
- fa** راهنمای استفاده

---

## en Table of Contents

Safety and warning information .....	3	Freezing and storing food .....	9
Information concerning disposal .....	5	Freezing fresh food .....	9
Scope of delivery .....	5	Thawing frozen food .....	10
Observe ambient temperature and ventilation .....	6	Interior fittings .....	11
Connecting the appliance .....	6	Sticker "OK" .....	11
Getting to know your appliance .....	7	Switching off and disconnecting the appliance .....	11
Switching the appliance on .....	7	Defrosting .....	11
Setting the temperature .....	7	Cleaning the appliance .....	12
Usable capacity .....	8	Tips for saving energy .....	13
Refrigerator compartment .....	8	Operating noises .....	13
The freezer compartment .....	9	Eliminating minor faults yourself .....	14
Max. freezing capacity .....	9	Customer service .....	16

---

## fr Table des matières

Prescriptions-d'hygiène-alimentaire ..	17	Capacité de congélation maximale ..	25
Consignes de sécurité et avertissements .....	18	Congélation et rangement .....	25
Conseil pour la mise au rebut .....	20	Congélation de produits frais .....	25
Étendue des fournitures .....	21	Décongélation des produits .....	26
Contrôler la température ambiante et l'aération .....	21	Équipement .....	27
Branchement de l'appareil .....	22	Autocollant « OK » .....	27
Présentation de l'appareil .....	22	Arrêt et remisage de l'appareil .....	27
Enclenchement de l'appareil .....	23	Si vous dégivrez l'appareil .....	28
Réglage de la température .....	23	Nettoyage de l'appareil .....	29
Contenance utile .....	24	Economies d'énergie .....	30
Le compartiment réfrigérateur .....	24	Bruits de fonctionnement .....	30
Le compartiment congélateur .....	24	Remédier soi même aux petites pannes .....	31
		Service après-vente .....	33

## Safety and warning information

### Before you switch ON the appliance

Please read the operating and installation instructions carefully. They contain important information on how to install, use and maintain the appliance.

Retain all documents for subsequent use or for the next owner.

### Technical safety

This appliance contains a small quantity of environmentally-friendly but flammable R600a refrigerant. Ensure that the tubing of the refrigerant circuit is not damaged during transportation and installation. Leaking refrigerant may cause eye injuries or ignite.

If damage has occurred

- Keep naked flames and/or ignition sources away from the appliance,
- thoroughly ventilate the room for several minutes,
- switch off the appliance and pull out the mains plug,
- inform customer service.

The more refrigerant an appliance contains, the larger the room must be in which the appliance is situated. Leaking refrigerant can form a flammable gas-air mixture in rooms which are too small. The room must be at least 1 m<sup>3</sup> per 8 g of refrigerant. The amount of refrigerant in your appliance is indicated on the rating plate inside the appliance.

If the power cord of this appliance is damaged, it must be replaced by the manufacturer, customer service or a similarly qualified person. Improper installations and repairs may put the user at considerable risk.

Repairs may be performed by the manufacturer, customer service or a similarly qualified person only.

Only original parts supplied by the manufacturer may be used. The manufacturer guarantees that only these parts satisfy the safety requirements.

A power cable extension may be purchased from customer service only.

### Important information when using the appliance

- Never use electrical appliances inside the appliance (e.g. heater, electric ice maker, etc.). Risk of explosion!
- Never use a steam cleaner to defrost or clean the appliance! The steam may penetrate electrical parts and cause a short-circuit. Risk of electric shock!
- Do not use pointed or sharp-edged implements to remove frost or layers of ice. You could damage the refrigerant tubing. Leaking refrigerant may ignite or cause eye injuries.
- Do not store products which contain flammable propellants (e.g. spray cans) or explosive substances in the appliance. Risk of explosion!
- Do not stand on or lean heavily against base of appliance, drawers or doors, etc

- Before defrosting and cleaning the appliance, pull out the mains plug or switch off the fuse. Do not pull out the mains plug by tugging the cable.
- Bottles which contain a high percentage of alcohol must be sealed and stored in an upright position.
- Keep plastic parts and the door seal free of oil and grease. Otherwise, parts and door seal will become porous.
- Never cover or block the ventilation openings for the appliance.
- People (children incl.) who have limited physical, sensory or mental abilities or inadequate knowledge must not use this appliance unless they are supervised or given meticulous instructions.
- Do not store bottled or canned drinks (especially carbonated drinks) in the freezer compartment. Bottles and cans may explode!
- Never put frozen food straight from the freezer compartment into your mouth.  
Risk of low-temperature burns!
- Avoid prolonged touching of frozen food, ice or the evaporator pipes, etc.  
Risk of low-temperature burns!

## Children in the household

- Keep children away from packaging and its parts.  
Danger of suffocation from folding cartons and plastic film!
- Do not allow children to play with the appliance!
- If the appliance features a lock: keep the key out of the reach of children!

## General regulations

The appliance is suitable

- for refrigerating and freezing food,
- for making ice.

This appliance is intended for use in the home and the home environment.

The appliance is suppressed according to EU Directive 2004/108/EC.

The refrigeration circuit has been checked for leaks.

This product complies with the relevant safety regulations for electrical appliances (EN 60335-2-24).

---

## Information concerning disposal

### Disposal of packaging

The packaging protects your appliance from damage during transit. All utilised materials are environmentally safe and recyclable. Please help us by disposing of the packaging in an environmentally friendly manner.

Please ask your dealer or inquire at your local authority about current means of disposal.

### Disposal of your old appliance

Old appliances are not worthless rubbish! Valuable raw materials can be reclaimed by recycling old appliances.



This appliance is identified according to the European guideline 2002/96/EC on waste electrical and electronic equipment – WEEE. The directive specifies the framework for an EU-wide valid return and re-use of old appliances.

### Warning

Redundant appliances

1. Pull out the mains plug.
2. Cut off the power cord and discard with the mains plug.
3. Do not take out the trays and receptacles: children are therefore prevented from climbing in!
4. Do not allow children to play with the appliance once it has spent its useful life. Danger of suffocation!

Refrigerators contain refrigerant and gases in the insulation. Refrigerant and gases must be disposed of professionally. Ensure that tubing of the refrigerant circuit is not damaged prior to proper disposal.

---

## Scope of delivery

After unpacking all parts, check for any damage in transit.

If you have any complaints, please contact the dealer from whom you purchased the appliance or our customer service.

The delivery consists of the following parts:

- Built-in appliance
- Interior fittings (depending on model)
- Operating instructions
- Installation manual
- Customer service booklet
- Warranty enclosure
- Information on the energy consumption and noises
- Bag containing installation materials

---

## Observe ambient temperature and ventilation

### Ambient temperature

The appliance is designed for a specific climatic class. Depending on the climatic class, the appliance can be operated at the following room temperatures.

The climatic class can be found on the rating plate, Fig. **9**.

Climatic class	Permitted ambient temperature
SN	+10 °C to 32 °C
N	+16 °C to 32 °C
ST	+16 °C to 38 °C
T	+16 °C to 43 °C

### Note

The appliance is fully functional within the room temperature limits of the indicated climatic class. If an appliance of climatic class SN is operated at colder room temperatures, the appliance will not be damaged up to a temperature of +5 °C.

### Room temperature switch

If the room temperature drops below 16 °C, the freezer compartment of appliances belonging to climatic class SN may become too warm. In an extreme case the frozen food may thaw. To prevent this from happening, switch on the room temperature switch. As a result, the refrigerating unit operates more frequently. The appliance can now be operated at a room temperature of +10 °C to +16 °C.

To switch on, press the room temperature switch, Fig. 2/B. Mark "0" is no longer visible. The light inside the appliance is lit at a reduced luminosity.

To save energy, switch off the room temperature switch as soon as the room temperature exceeds +16 °C.

## Ventilation

The air on the rear panel of the appliance heats up. Conduction of the heated air must not be obstructed. Otherwise, the refrigeration unit must work harder. This increases power consumption. Therefore: Never cover or block the ventilation openings!

## Connecting the appliance

After installing the appliance, wait at least 1 hour until the appliance is switched on. During transportation the oil in the compressor may have flowed into the refrigeration system.

Before switching on the appliance for the first time, clean the interior of the appliance (see chapter "Cleaning the appliance").

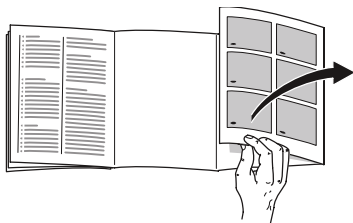
### Electrical connection

The socket must be near the appliance and also freely accessible following installation of the appliance.

The appliance complies with the protection class I. Connect the appliance to 220–240 V/50 Hz alternating current via a correctly installed socket with protective conductor. The socket must be fused with a 10 to 16 A fuse.

For appliances operated in non-European countries, check whether the stated voltage and current type match the values of your mains supply match the values of the mains supply. This information can be found on the rating plate. Fig. 9

## Getting to know your appliance



Please fold out the illustrated last page. These operating instructions refer to several models.

The features of the models may vary.

The diagrams may differ.

Fig. **1**

- |   |   |
|---|---|
| 1 | Temperature controller/light                |
| 2 | Light switch                                |
| 3 | Glass shelf in the refrigerator compartment |
| 4 | Vegetable container                         |
| 5 | Door shelf                                  |
| 6 | Shelf for large bottles                     |
| A | Freezer section                             |
| B | Refrigerator compartment                    |

## Switching the appliance on

Turn temperature controller, Fig. **2**/A, from position "0". The appliance begins to cool. Light is switched on when the door is open.

### Operating tips

The refrigerator compartment temperature rises:

- if the appliance door is opened frequently,
- if large quantities of food are placed in the refrigerator compartment,
- if the ambient temperature is high.

## Setting the temperature

Turn temperature controller, Fig. **2**/A, to the required setting.

When the controller is at a medium setting, the temperature drops to approx. +4 °C in the coldest zone. Fig. **3**.

Higher settings lower the temperature in the refrigerator and freezer compartments.

We recommend:

- Perishable food should not be stored above +4 °C.
- Low setting for short-term storage of food (energy-saving mode).
- Medium setting for long-term storage of food.
- Select a higher setting only temporarily, when the door is frequently opened or large quantities are placed in the refrigerator compartment.

## Refrigeration capacity

The temperature in the refrigerator compartment may rise temporarily if large amounts of food or a lot of drinks are placed inside.

Therefore the temperature controller should be set to a higher setting for approx. 7 hours.

## Freezer compartment

The temperature in the freezer compartment depends on the temperature in the refrigerator compartment.

---

## Usable capacity

Information on the usable capacity can be found inside your appliance on the rating plate.

---

## Refrigerator compartment

The refrigerator compartment is the ideal storage location for ready meals, cakes and pastries, preserved food, condensed milk, hard cheese, fruit and vegetables sensitive to cold as well as tropical fruit.

### Note when loading products:

Wrap or cover food before placing in the appliance. This will retain the aroma, colour and freshness of the food. In addition, flavours will not be transferred between foods and the plastic parts will not become discoloured.

### Note

Avoid contact between food and rear panel. Otherwise the air circulation will be impaired.

Food or packaging could freeze to the rear panel.

### Note the chill zones in the refrigerator compartment!

The air circulation in the refrigerator compartment creates different chill zones:

- Coldest zone is between the arrow stamped on the side and the glass shelf situated below. Fig. 3

### Note

Store perishable food (e.g. fish, sausage, meat) in the coldest zones.

- Warmest zone is at the very top of the door.

### Note

Store e.g. cheese and butter in the warmest zone. When served, the cheese will not have lost its flavour and the butter will be easy to spread.

---

## The freezer compartment

### Using the freezer compartment

- To store deep-frozen food.
- To make ice cubes.
- To freeze small quantities of food.

### Note

Ensure that the freezer compartment door has been closed properly. If the door is open, the frozen food will thaw. The freezer compartment will become covered in thick ice. Also: waste of energy due to high power consumption!

The freezer compartment door engages audibly.

---

## Max. freezing capacity

Information about the max. freezing capacity within 24 hours can be found on the rating plate (see chapter "Customer service").

---

## Freezing and storing food

### Purchasing frozen food

- Packaging must not be damaged.
- Use by the "use by" date.
- Temperature in the supermarket freezer must be  $-18\text{ }^{\circ}\text{C}$  or lower.
- If possible, transport deep-frozen food in a cool bag and place quickly in the freezer compartment.

---

## Freezing fresh food

Freeze fresh and undamaged food only.

To retain the best possible nutritional value, flavour and colour, vegetables should be blanched before freezing. Aubergines, peppers, zucchini and asparagus do not require blanching.

Literature on freezing and blanching can be found in bookshops.

### Note

Keep food which is to be frozen away from food which is already frozen.

- The following foods are suitable for freezing:  
Cakes and pastries, fish and seafood, meat, game, poultry, vegetables, fruit, herbs, eggs without shells, dairy products such as cheese, butter and quark, ready meals and leftovers such as soups, stews, cooked meat and fish, potato dishes, soufflés and desserts.

## en

- The following foods are not suitable for freezing:  
Types of vegetables, which are usually consumed raw, such as lettuce or radishes, eggs in shells, grapes, whole apples, pears and peaches, hard-boiled eggs, yoghurt, soured milk, sour cream, crème fraîche and mayonnaise.

### Note

When freezing fresh food, the refrigeration unit runs for longer. As a result, the refrigerator compartment temperature may drop too low. Increase the temperature in the refrigerator compartment.

## Packing frozen food

To prevent food from losing its flavour or drying out, place in airtight containers.

1. Place food in packaging.
2. Remove air.
3. Seal the wrapping.
4. Label packaging with contents and date of freezing.

### Suitable packaging:

Plastic film, tubular film made of polyethylene, aluminium foil, freezer containers.

These products are available from specialist outlets.

### Unsuitable packaging:

Wrapping paper, greaseproof paper, cellophane, bin liners and used shopping bags.

### Items suitable for sealing packaged food:

Rubber bands, plastic clips, string, cold-resistant adhesive tape, etc.

Bags and tubular film made of polyethylene can be sealed with a film heat sealer.

## Shelf life of frozen food

Depends on the type of food.

At a temperature of  $-18\text{ }^{\circ}\text{C}$ :

- Fish, sausage, ready meals and cakes and pastries:  
up to 6 months
- Cheese, poultry and meat:  
up to 8 months
- Vegetables and fruit:  
up to 12 months

---

## Thawing frozen food

Depending on the type and application, select one of the following options:

- at room temperature
- in the refrigerator
- in an electric oven, with/without fan assisted hot-air
- in the microwave

### Note

Do not refreeze food which is beginning to thaw or which has already thawed. It can only be refrozen when it has been used to prepare a ready meal (boiled or fried).

No longer store the frozen produce for the max. storage period.

---

## Interior fittings

(not all models)

### Glass shelves

Fig. 4

You can reposition the inner shelves as required: lift shelf, pull forwards, lower and swivel out to the side.

### Bottle shelf

Fig. 5

Bottles can be stored securely on the bottle shelf. The holder can be adjusted.

---

## Sticker “OK”

(not all models)

The “OK” temperature monitor can be used to determine temperatures below +4 °C. Gradually reduce the temperature if the sticker does not indicate “OK”.

### Note

When the appliance is switched on, it may take 12 hours until the temperature is reached.



### Correct setting

---

## Switching off and disconnecting the appliance

### Switching the appliance off

Turn temperature controller, Fig. 2/A, to position “0”. Refrigeration unit and light switch off.

### Disconnecting the appliance

If you do not use the appliance for a prolonged period:

1. Switch off the appliance.
2. Pull out mains plug or switch off fuse.
3. Clean the appliance.
4. Leave the appliance door open.

---

## Defrosting

### Refrigerator compartment defrosts fully automatically

While the refrigerating unit is running, beads of condensation or hoarfrost form at the back of the refrigerator compartment. This is quite normal. It is not necessary to wipe off the condensation or frost. The rear panel defrosts automatically. The condensation runs into the condensation channel, Fig. 6, and is conveyed to the refrigerating unit where it evaporates.

### Note

Keep the condensation channel and drainage hole clean, so that the condensation can run out.

## Freezer compartment

The freezer compartment does not defrost automatically. A layer of hoarfrost in the freezer compartment will impair refrigeration of the frozen food and increase power consumption. Regularly defrost the freezer compartment.

### Caution

Do not scrape off hoarfrost or ice with a knife or pointed object. You could damage the refrigerant tubes. Leaking refrigerant may ignite or cause eye injuries.

### Proceed as follows:

#### Note

Approx. 4 hours before defrosting the appliance, turn the temperature controller to the highest setting so that the food drops to a very low temperature and can therefore be stored at room temperature for a longer period.

1. Remove the frozen food and place temporarily in a cool location.
2. Switch the appliance off.
3. Pull out the mains plug or remove the fuse.
4. To accelerate the defrosting process, place a pan of hot water on a trivet in the freezer compartment.
5. Wipe up condensation with a cloth or sponge.
6. Wipe dry the freezer compartment.
7. Switch the appliance on again.
8. Put the frozen food back in the freezer compartment.

---

## Cleaning the appliance

### Caution

- Do not use abrasive or acidic cleaning agents and solvents.
- Do not use scouring or abrasive sponges. The metallic surfaces could corrode.
- Never clean shelves and containers in the dishwasher. The parts may become deformed!

Proceed as follows:

1. Before cleaning: Switch the appliance off.
2. Pull out the mains plug or switch off the fuse.
3. Take out the frozen food and store in a cool location.
4. Clean the appliance with a soft cloth, lukewarm water and a little pH neutral washing-up liquid. The rinsing water must not run into the light.
5. Wipe the door seal with clear water only and then wipe dry thoroughly.
6. Rinsing water must not run through the drainage hole into the evaporation area.
7. After cleaning reconnect and switch the appliance back on.
8. Put the frozen food back in the freezer compartment.

## Interior fittings

All variable parts of the appliance can be taken out for cleaning.

### Take out glass shelves

Fig. 4

Lift the glass shelves, pull forwards, lower and swing out to the side.

### Condensation channel

Regularly clean the condensation channel and drainage hole with a cotton bud or similar implement to ensure that the condensation can drain. Fig. 6

### Take out shelves in the door

Lift shelves upwards and take out. Fig. 8

---

## Tips for saving energy

- Install the appliance in a dry, well ventilated room! The appliance should not be installed in direct sunlight or near a heat source (e.g. radiator, cooker).

If required, use an insulating plate.

- Allow warm food and drinks to cool down before placing in the appliance!
- When thawing frozen products, place them in the refrigerator. Use the coldness of the frozen food to cool food.
- Open the appliance as briefly as possible.
- Regularly defrost the freezer compartment to remove the layer of frost!

A layer of hoarfrost will impair refrigeration of the frozen food and increase power consumption.

- Ensure that the freezer compartment door has been closed properly.
- Occasionally clean the rear of the appliance with a vacuum cleaner or paint brush to prevent an increased power consumption.

---

## Operating noises

### Quite normal noises

#### Droning

Motors are running (e.g. refrigerating units, fan).

#### Bubbling, humming or gurgling noises

Refrigerant is flowing through the tubing.

#### Clicking

Motor, switches or solenoid valves are switching on/off.

### Preventing noises

#### The appliance is not level

Please align the appliance with a spirit level. Use the height-adjustable feet or place packing underneath them.

#### The appliance is not free-standing

Please move the appliance away from adjacent units or appliances.

#### Containers or storage areas wobble or stick

Please check the removable parts and re-insert them correctly if required.

#### Bottles or receptacles are touching each other

Move the bottles or receptacles slightly away from each other.

## Eliminating minor faults yourself

Before you call customer service:

Please check whether you can eliminate the fault yourself based on the following information.

Customer service will charge you for advice – even if the appliance is still under guarantee!

<b>Fault</b>	<b>Possible cause</b>	<b>Remedial action</b>
The light does not work.	The bulb is defective.	Replace bulb. Fig. <b>7</b> /B <ol style="list-style-type: none"> <li>1. Switch the appliance off.</li> <li>2. Pull out mains plug or switch off fuse.</li> <li>3. Slide cover forwards and remove.</li> <li>4. Change the bulb.</li> </ol> (Replacement bulb: 220–240 V a.c., E14 bulb holder, see defective bulb for wattage.)
	Light switch is jammed.	Check whether it can be moved. Fig. <b>7</b> /A
The frozen food is frozen solid.		Loosen frozen food with a blunt object. Do not use a knife or pointed object.
There is a thick layer of frost in the freezer compartment.		Defrosting the freezer compartment (see chapter Defrosting). Always ensure that the freezer compartment door is closed properly.
Floor of the refrigerator compartment is wet.	The condensation channels or drainage hole are blocked.	Clean the condensation channels and the drainage hole. See chapter Cleaning the appliance. Fig. <b>6</b>
The temperature in the refrigerator compartment is too cold.	Freezer compartment door is open.	Close the freezer compartment door. The freezer compartment door engages audibly.
	Too much food was placed in the freezer compartment at once.	Do not exceed max. freezing capacity.
	Temperature controller has been set too high.	Set temperature controller lower.

Fault	Possible cause	Remedial action
The refrigerating unit is switching on more frequently and for longer.	Appliance opened frequently.	Do not open the appliance unnecessarily.
	The ventilation openings have been covered.	Remove obstacles.
	Large quantities of fresh food are being frozen.	Do not exceed max. freezing capacity.
The frozen food is thawing.	The ambient temperature is below +16° C. The refrigeration unit is starting less frequently.	<p>Increase the ambient temperature (above +16° C).</p> <p>Fig. 2/B: Appliances with room temperature switch: To switch on, press the room temperature switch. Mark "0" is no longer visible. The light inside the appliance is lit at a reduced luminosity.</p>
Appliance has no refrigeration capacity.	The temperature controller is in position "0".	Turn the temperature controller from position "0". Fig. 2/A
	■ Power failure.	Check whether the power is on, check the fuses.
	■ The fuse has been switched off.	
■ The mains plug has not been inserted properly.		

---

## Customer service

Your local customer service can be found in the telephone directory or in the customer-service index. Please provide customer service with the appliance product number (E-Nr.) and production number (FD).

These specifications can be found on the rating plate. Fig. **9**

To prevent unnecessary call-outs, please assist customer service by quoting the product and production numbers. This will save you additional costs.

## Repair order and advice on faults

Contact information for all countries can be found on the enclosed customer service list.

GB	0844 8928979	Calls from a BT landline will be charged at up to 3 pence per minute. A call set-up fee of up to 6 pence may apply.
----	--------------	---

IE 01450 2655

US 800 944 2904 toll-free

---

## Prescriptions- d'hygiène-alimentaire

### **Chère cliente, cher client,**

Conformément à la réglementation française visant à empêcher la présence de listéries dans le compartiment réfrigérateur, nous vous remercions de respecter les consignes suivantes :

- Nettoyez fréquemment le compartiment intérieur du réfrigérateur à l'aide d'un détergent non agressif, ne provoquant pas d'oxydation des pièces métalliques (utilisez par ex. de l'eau tiède additionnée d'un peu de produit à vaisselle).

Ensuite, désinfectez avec de l'eau additionnée de vinaigre ou de jus de citron les surfaces que vous avez préalablement nettoyées, ou utilisez un produit germicide en vente habituelle dans le commerce et adapté aux réfrigérateurs (avant d'utiliser ce produit sur les pièces métalliques, faites un test de compatibilité à un endroit peu visible).

- Enlevez les emballages commerciaux avant de mettre les produits alimentaires dans le compartiment réfrigérateur (par ex. le carton qui réunit les pots de yaourt).
- Pour éviter toute contamination entre des produits alimentaires de nature différente, rangez-les bien séparés les uns des autres, bien emballés ou rangés dans des récipients à couvercle.
- Avant de préparer des plats et de saisir des produits alimentaires, lavez-vous les mains. Avant de préparer d'autres plats, lavez-vous à nouveau les mains. Lavez-les encore une fois avant de prendre un repas.
- Lavez les ustensiles de cuisine dont vous venez de vous servir avant de les réutiliser (cuillère en bois, planche de découpe, couteau de cuisine, etc.).

## Consignes de sécurité et avertissements

### Avant de mettre l'appareil en service

Veillez lire attentivement et entièrement les informations figurant dans les notices d'utilisation et de montage. Elle contiennent des remarques importantes concernant l'installation, l'utilisation et l'entretien de l'appareil.

Conservez toute la documentation pour pouvoir la consulter à nouveau ultérieurement ou si l'appareil doit changer un jour de propriétaire.

### Sécurité technique

Cet appareil contient une petite quantité d'un fluide réfrigérant écologique mais inflammable, le R 600a. Pendant le transport et la mise en place de l'appareil, veillez à ne pas endommager les tuyauteries du circuit frigorifique. Si le fluide réfrigérant jaillit, il peut provoquer des lésions oculaires ou s'enflammer.

Si l'appareil est endommagé

- éloignez de l'appareil toute flamme nue ou source d'inflammation,
- aérez bien la pièce pendant quelques minutes,
- éteignez l'appareil puis débranchez la fiche mâle de la prise de courant,
- prévenez le service après-vente.

Plus l'appareil contient de fluide réfrigérant et plus grande doit être la pièce dans laquelle il se trouve. Dans les pièces trop petites, un mélange gaz-air inflammable peut se former en cas de fuite.

Comptez 1 m<sup>3</sup> de volume minimum de la pièce pour 8 g de fluide réfrigérant. La quantité de fluide présente dans l'appareil est indiquée sur la plaque signalétique située à l'intérieur de ce dernier.

Si le cordon d'alimentation électrique de cet appareil a été endommagé, il faut confier son remplacement au fabricant, au service après-vente ou à une personne détenant des qualifications similaires. Les installations et réparations inexpertes peuvent engendrer des risques considérables pour l'utilisateur.

Les réparations ne pourront être réalisées que par le fabricant, le service après-vente ou une personne détenant des qualifications similaires.

Il ne faut utiliser que les pièces d'origine du fabricant. Le fabricant ne garantit que les pièces d'origine car elles seules remplissent les exigences de sécurité.

S'il faut allonger le cordon de raccordement au secteur avec un prolongateur, procurez-vous-le exclusivement auprès du service après-vente.

### Pendant l'utilisation

- N'utilisez pas d'appareils électriques à l'intérieur de l'appareil (par ex. appareils de chauffage, machine à glaçons, etc.). Risque d'explosion !

- Ne dégivrez ni et ne nettoyez jamais l'appareil avec un nettoyeur à vapeur ! La vapeur risque d'atteindre des pièces électriques et de provoquer un court-circuit. Risque d'électrocution !
- Pour détacher le givre ou les couches de glace, n'utilisez jamais d'objets pointus ou présentant des arêtes vives. Vous risqueriez d'endommager les tuyaux de fluide réfrigérant. Le fluide réfrigérant en train de jaillir risque de s'enflammer ou de provoquer des lésions oculaires.
- Ne stockez dans l'appareil ni produits contenant des gaz propulseurs inflammables (par ex. bombes aérosols) ni produits explosifs. Risque d'explosion !
- Ne vous servez pas des socles, clayettes et portes comme marchepieds ou pour vous appuyer.
- Pour dégivrer et nettoyer l'appareil, débranchez la fiche mâle de la prise de courant ou retirez le fusible / désarmez le disjoncteur. Pour débrancher l'appareil, tirez sur la fiche mâle et non pas sur son cordon.
- Stockez les boissons fortement alcoolisées en position verticale dans des récipients bien fermés.
- L'huile et la graisse ne doivent pas entrer en contact avec les parties en matières plastiques et le joint de porte. Ces derniers pourraient sinon devenir poreux.
- Ne recouvrez et n'obstruez jamais les orifices de ventilation de l'appareil.
- Cet appareil ne pourra être utilisé par des personnes (enfants compris) présentant des capacités physiques, sensorielles ou psychiques restreintes ou manquant de connaissances que sous la surveillance d'une personne chargée de leur sécurité ou après que cette dernière leur aura enseigné à utiliser l'appareil.
- Dans compartiment congélateur, ne stockez pas de liquides en bouteilles ou en boîtes (en particulier les boissons gazeuses). Les bouteilles et les canettes risqueraient d'éclater !
- Ne portez jamais des produits surgelés à la bouche immédiatement après les avoir sorties du compartiment congélateur. Risque d'engelures !
- Évitez tout contact prolongé des mains avec les produits congelés, la glace ou les tubes de l'évaporateur, etc. Risque d'engelures !

## **Les enfants et l'appareil**

- Ne confiez jamais l'emballage et ses pièces constitutives aux enfants. Ils risquent de s'étouffer avec les cartons pliants et les feuilles de plastique !
- L'appareil n'est pas un jouet pour enfants !
- Appareils équipés d'une serrure : rangez la clé hors de portée des enfants !

## Dispositions générales

L'appareil convient pour

- réfrigérer et congeler des aliments,
- préparer des glaçons.

Cet appareil est destiné à un usage domestique dans un foyer privé, et à l'environnement domestique.

L'appareil a été antiparasité conformément à la directive UE 2004/108/EC.

Le circuit frigorifique a subi un contrôle d'étanchéité.

Ce produit est conforme aux dispositions de sécurité applicables visant les appareils électriques (EN 60335-2-24).

---

## Conseil pour la mise au rebut

### Mise au rebut de l'emballage

L'emballage protège votre appareil contre les dommages susceptibles de survenir en cours de transport. Tous les matériaux qui le composent sont compatibles avec l'environnement et recyclables. Aidez-nous : à éliminer l'emballage dans le respect de l'environnement.

Pour connaître les circuits actuels de mise au rebut, adressez-vous s.v.p. à votre revendeur ou à l'administration de votre commune.

### Mise au rebut de l'ancien appareil

Les appareils usagés ne sont pas des déchets dénués de valeur ! Leur élimination dans le respect de l'environnement permet d'en récupérer de précieuses matières premières.



Cet appareil est marqué selon la directive européenne 2002/96/CE relative aux appareils électriques et électroniques usagés (waste electrical and electronic equipment – WEEE). La directive définit le cadre pour une reprise et une récupération des appareils usagés applicables dans les pays de la CE.



### Mise en garde

Avant de mettre au rebut l'appareil qui ne sert plus :

1. Débranchez sa fiche mâle.
2. Sectionnez son câble d'alimentation et retirez-le avec la fiche mâle.
3. Pour dissuader les enfants de grimper dans l'appareil, ne retirez pas les clayettes et les bacs !
4. Ne permettez pas aux enfants de jouer avec l'appareil lorsqu'il ne sert plus. Risque d'étouffement !

Les appareils réfrigérants contiennent du fluide réfrigérant. L'isolant contient des gaz. Il faut que le fluide réfrigérant et les gaz soient éliminés dans les règles de l'art. Jusqu'à l'enlèvement de l'appareil, veillez bien à ce que son circuit frigorifique ne soit pas endommagé.

## Étendue des fournitures

Après avoir déballé, vérifiez toutes les pièces pour détecter d'éventuels dégâts dus au transport.

En cas de réclamation, veuillez vous adresser au revendeur auprès duquel vous avez acquis l'appareil ou auprès de notre service après-vente.

La livraison comprend les pièces suivantes :

- Appareil encastrable
- Équipement (selon le modèle)
- Notice d'utilisation
- Notice de montage
- Carnet de service après-vente
- Pièce annexe de la garantie
- Informations relatives à la consommation d'énergie et aux bruits
- Sachet avec quincaillerie de montage

## Contrôler la température ambiante et l'aération

### Température ambiante

L'appareil a été conçu pour une catégorie climatique précise. Suivant la catégorie climatique, l'appareil est utilisable dans les températures ambiantes suivantes.

La catégorie climatique de l'appareil figure sur sa plaque signalétique, Fig. 9.

Catégorie climatique	Température ambiante admissible
SN	+10 °C à 32 °C
N	+16 °C à 32 °C
ST	+16 °C à 38 °C
T	+16 °C à 43 °C

### Remarque

L'appareil est entièrement fonctionnel à l'intérieur des limites de température ambiante prévues dans la catégorie climatique indiquée. Si un appareil de la catégorie climatique SN est utilisé à des températures ambiantes plus basses, il est possible d'exclure que l'appareil s'endommage jusqu'à une température de +5 °C.

### Thermostat de température ambiante

Si en présence d'appareils de la catégorie climatique SN la température ambiante descend en dessous de 16 °C, la température risque de trop remonter dans le compartiment congélateur. Dans un cas extrême, les produits congelés risquent de dégeler. Pour empêcher cela, enclenchez le thermostat de température ambiante. Dans ce cas, le groupe frigorifique fonctionne plus souvent. Maintenant, l'appareil peut fonctionner à une température ambiante comprise entre +10 et +16 °C.

Pour enclencher le thermostat de température ambiante, appuyez dessus, Fig. 2/B. Le repère « 0 » n'est plus visible. Dans l'appareil, l'éclairage intérieur s'allume mais avec une luminosité moindre.

Pour économiser de l'énergie, ramenez le thermostat de température ambiante en position éteinte dès que la température ambiante remonte au dessus de +16 °C.

## Aération

L'air entrant en contact avec la paroi arrière de l'appareil se réchauffe. L'air chaud doit pouvoir s'échapper sans obstacle. S'il ne le peut pas, le groupe frigorifique doit fonctionner plus longtemps, ce qui augmente la consommation de courant. Pour cette raison, ne recouvrez ni et n'obstruez jamais les orifices d'aération de l'appareil.

## Branchement de l'appareil

Après l'installation de l'appareil en position verticale, attendez au moins une heure avant de le mettre en service. Il peut en effet arriver, pendant le transport, que l'huile présente dans le compresseur se déplace vers le circuit frigorifique.

Avant la première mise en service, nettoyez le compartiment intérieur de l'appareil. (Voir le chapitre « Nettoyage de l'appareil ».)

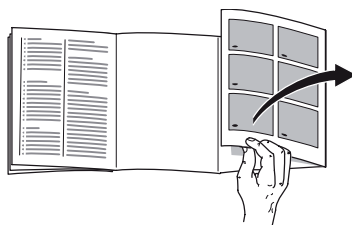
## Branchement électrique

La prise doit être proche de l'appareil et demeurer librement accessibles même après avoir installé ce dernier.

L'appareil est conforme à la classe de protection I. Raccordez l'appareil au courant alternatif 220–240 V/50 Hz, via une prise femelle installée réglementairement et comportant un fil de terre. La prise doit être protégée par un fusible supportant un ampérage de 10 A à 16 A.

Sur les appareils qui fonctionneront dans des pays non européens, il faut vérifier que la tension et le type de courant mentionnés sur la plaque signalétique correspondent bien avec celle et celui offert par votre secteur. Vous trouverez ces indications sur la plaque signalétique. Fig. 9

## Présentation de l'appareil



Veillez déplier la dernière page, illustrée, de la notice. La présente notice d'utilisation vaut pour plusieurs modèles. L'équipement des modèles peut varier. Selon le modèle, l'appareil peut différer du contenu des illustrations.

Fig. 1

- |   |  |
|---|--|
| 1 | Thermostat/Éclairage                                 |
| 2 | Interrupteur d'éclairage                             |
| 3 | Clayette en verre dans le compartiment réfrigérateur |
| 4 | Bac à légumes  |
| 5 | Rangement en contre-porte                            |
| 6 | Clayette à grandes bouteilles                        |
| A | Compartiment congélateur                             |
| B | Compartiment réfrigérateur                           |

## Enclenchement de l'appareil

Tournez le thermostat, Fig. 2/A, pour lui faire quitter la position « 0 ». L'appareil commence à réfrigérer. Porte en position ouverte, l'éclairage est allumé.

### Remarques concernant le fonctionnement de l'appareil

La température du compartiment réfrigérateur augmente temporairement :

- Si vous ouvrez fréquemment la porte de l'appareil.
- Si vous rangez de grandes quantités d'aliments.
- En présence d'une température ambiante élevée.

## Réglage de la température

Tournez le thermostat, Fig. 2/A, jusque sur le réglage souhaité.

Sur un réglage médian, la zone la plus froide atteint env. +4 °C. Fig. 3

Des réglages plus élevés abaissent les températures dans le compartiment réfrigérateur et le compartiment congélateur.

Recommandations :

- Nous conseillons de stocker les produits alimentaires délicats à une température non supérieure à +4 °C.
- Réglage peu élevé pour stocker peu de temps des produits alimentaires (mode économe en énergie).
- Réglage moyen pour stocker longtemps des produits alimentaires.
- Réglage élevé uniquement de façon temporaire, s'il faut ouvrir fréquemment la porte ou si vous venez de ranger de grandes quantités de produits alimentaires dans le compartiment réfrigérateur.

### Capacité de réfrigération

La température peut monter dans le compartiment réfrigérateur si vous rangez des quantités importantes de produits alimentaires ou de boissons.

Pour cette raison, il faudrait régler le thermostat sur un chiffre plus élevé pendant environ 7 heures.

### Compartiment congélateur

La température dans le compartiment congélateur dépend de celle régnant dans le compartiment cellier.

---

## Contenance utile

Vous trouverez les indications relatives à la contenance utile sur la plaque signalétique de votre appareil.

---

## Le compartiment réfrigérateur

Le compartiment réfrigérateur est l'endroit idéal où ranger les plats finis de préparer, les pâtisseries, conserves, le lait condensé, le fromage dur, les fruits et légumes craignant le froid ainsi que les agrumes.

### Consignes de rangement :

Rangez les aliments si possible bien emballés ou bien couverts. Ils garderont ainsi arôme, couleur et fraîcheur. Ceci empêche en outre que certains aliments ne communiquent leur goût à d'autres et que les pièces en plastique changent anormalement de couleur.

### Remarque

Évitez que les produits alimentaires entrent en contact avec la paroi arrière. Cela gênerait sinon la circulation de l'air.

Les produits alimentaires ou les emballages pourraient rester collés, par congélation, contre la paroi arrière.

## Tenez compte des différentes zones froides dans le compartiment réfrigérateur !

L'air circulant dans le compartiment réfrigérateur fait que des zones différemment froides apparaissent :

- La zone la plus froide se trouve entre la flèche imprimée sur le côté et sur la clayette qui se trouve en dessous. Fig. 3

### Remarque

Dans la zone la plus froide, rangez les aliments délicats (par ex. le poisson, la charcuterie, la viande).

- Zone la moins froide elle se trouve complètement en haut, contre la porte.

### Remarque

Rangez dans la zone la moins froide par ex. le fromage et le beurre. Ainsi, au moment de servir, le fromage conservera tout son arôme et le beurre restera tartinable.

---

## Le compartiment congélateur

### Utilisation du compartiment congélateur

- Sert à ranger des produits surgelés.
- Confectionner des glaçons.
- Pour congeler de petites quantités de produits alimentaires.

**Remarque**

Veillez à ce que la porte du compartiment congélateur soit correctement fermée ! Si cette porte reste ouverte, les produits surgelés dégèleront. Le compartiment congélateur se couvrirait de givre. En outre : gaspillage d'énergie dû à une consommation élevée d'électricité !

La porte du compartiment congélateur encrante de façon bien audible.

---

## Capacité de congélation maximale

Sur la plaquette signalétique, vous trouverez des indications concernant la capacité de congélation maximale en 24 heures (voir le chapitre « Service après-vente »).

---

## Congélation et rangement

### Achats de produits surgelés

- Leur emballage doit être intact.
- Ne dépassez pas la date-limite de conservation.
- Il faut que la température dans le congélateur bahut du supermarché soit de  $-18\text{ }^{\circ}\text{C}$  ou encore plus basse.
- Utilisez de préférence un sac isotherme pour le transport puis rangez les produits le plus rapidement possible dans le compartiment congélateur.

---

## Congélation de produits frais

Pour congeler les aliments, n'utilisez que des aliments frais et d'un aspect impeccable.

Il faudrait blanchir les légumes avant de les congeler, pour préserver le mieux possible leur valeur nutritive, leur arôme et leur teinte. Il n'est pas nécessaire de blanchir les aubergines, poivrons, courgettes et asperges.

Vous trouverez en librairie toute une bibliographie sur la congélation et le blanchissement.

**Remarque**

Veillez à ce que les produits alimentaires à congeler n'entrent pas en contact avec des produits déjà congelés.

- Se prêtent à la congélation : Pâtisseries, poissons et fruits de mer, viande de boucherie et gibier, volaille, fruits, légumes, herbes culinaires, œufs sans la coque, produits laitiers comme le fromage, le beurre et le fromage blanc, plats précuisinés et restes de plats tels que les soupes, ragouts, la viande et le poisson cuits, les plats aux pommes de terre, les soufflés et mets sucrés.
- Ne se prêtent pas à la congélation : Variétés de légumes habituellement dégustées crues telles que la salade ou les radis, œufs dans leur coque, raisins, pommes, poires et pêches entières, œufs cuits durs, yaourt, lait caillé, crème acidulée, crème fraîche et mayonnaise.

**Remarque**

Lorsque vous mettez des produits alimentaires frais à congeler, le groupe frigorifique fonctionne plus longtemps. Selon les circonstances, la température risque de trop descendre dans le compartiment réfrigérateur. Haussez la température devant régner dans le compartiment réfrigérateur.

**Emballer les surgelés**

L'air ne doit pas pénétrer dans l'emballage pour que les aliments ne perdent pas leur goût ni ne sèchent pas.

1. Placez les aliments dans l'emballage.
2. Presser pour chasser l'air.
3. Obturez l'emballage hermétiquement.
4. Indiquez sur l'emballage le contenu et la date de congélation.

**Emballages adaptés :**

Feuilles en plastique, feuilles en polyéthylène, feuilles d'aluminium, boîtes de congélation. Vous trouverez ces produits dans le commerce spécialisé.

**Emballages inadaptés :**

Le papier d'emballage, le papier sulfurisé, les feuilles de cellophane, les sacs poubelles et les sacs en plastique ayant déjà servi.

**Moyens d'obturation adaptés :**

Caoutchoucs, clips en plastique, ficelles, rubans adhésifs résistants au froid, ou assimilés.

Vous pouvez obturer les sachets et les feuilles en polyéthylène au moyen d'une thermosoudeuse.

**Durée de conservation des produits surgelés**

Elle dépend de la nature des aliments.

Si la température a été réglée sur  $-18\text{ }^{\circ}\text{C}$  :

- Poisson, charcuterie, plats pré-cuisinés, pâtisseries :  
jusqu'à 6 mois
- Fromage, volaille, viande :  
jusqu'à 8 mois
- Fruits et légumes :  
jusqu'à 12 mois

---

**Décongélation des produits**

Selon la nature et l'utilisation des produits surgelés, vous pouvez choisir entre plusieurs possibilités :

- à la température ambiante,
- dans le réfrigérateur,
- dans le four électrique, avec/sans ventilateur à air chaud,
- dans le micro-ondes.

**Remarque**

Ne remettez pas à congeler des produits alimentaires partiellement ou entièrement décongelés. Vous pourrez les recongeler uniquement après les avoir transformés en plats pré-cuisinés (par cuisson ou rôtissage).

Dans ce cas, consommez-les nettement avant la date limite de conservation.

---

## Équipement

(selon le modèle)

### Clayettes en verre

Fig. 4

Dans le volume intérieur, vous pouvez faire varier la configuration des clayettes suivant besoins : Soulevez la clayette, tirez-la en avant, abaissez-la et faites la basculer latéralement pour l'extraire.

### Clayette à bouteilles

Fig. 5

Cette clayette permet de ranger des bouteilles de manière sûre. La fixation est variable.

---

## Autocollant « OK »

(selon le modèle)

Le contrôle de température « OK » permet de signaler les températures inférieures à +4 °C. Si l'autocollant n'affiche pas « OK », abaissez la température par palier.

### Remarque

A la mise en service de l'appareil, ce dernier peut mettre jusqu'à 12 heures avant d'atteindre la température correcte.



**Réglage correct**

---

## Arrêt et remisage de l'appareil

### Coupure de l'appareil

Tournez le thermostat, Fig. 2/A, sur la position « 0 ». Le groupe frigorifique et l'éclairage s'éteignent.

### Remisage de l'appareil

Si l'appareil doit rester longtemps sans servir :

1. Éteignez l'appareil.
2. Débranchez la fiche mâle du secteur ou ramenez le disjoncteur en position éteinte.
3. Nettoyez l'appareil.
4. Laissez la porte de l'appareil ouverte.

## Si vous dégivrez l'appareil

### Le dégivrage du compartiment réfrigérateur est entièrement automatique

Pendant que le groupe frigorifique tourne, des gouttelettes d'eau de condensation ou du givre se forment contre la paroi arrière du compartiment réfrigérateur. Ce phénomène est le résultat du fonctionnement de l'appareil. Inutile d'essuyer les gouttelettes d'eau de dégivrage ou de gratter le givre. La paroi arrière se dégivre automatiquement. L'eau du dégivrage s'écoule par la rigole d'écoulement à cet effet, Fig. 6. Ensuite, elle gagne le groupe frigorifique où elle s'évapore.

#### Remarque

Maintenez les rigoles à eau de dégivrage et le trou d'écoulement propres afin que cette eau puisse s'écouler.

### Compartiment congélateur

Le compartiment congélateur ne dégivre pas automatiquement. Une couche de givre ou de glace gêne l'arrivée du froid sur les produits et augmente la consommation de courant. Décongelez régulièrement le compartiment congélateur.

#### Attention

Ne raclez jamais la couche de givre avec un couteau ou un objet pointu. Vous risqueriez d'endommager les tubulures dans lesquelles circule le produit réfrigérant. Le fluide réfrigérant en train de jaillir risque de s'enflammer ou de provoquer des lésions oculaires.

#### Procédure :

#### Remarque

Environ 4 heures avant le dégivrage, amenez le thermostat sur le réglage le plus élevé afin que les produits alimentaires atteignent une température très basse et puissent ainsi être stockés assez longtemps à la température ambiante.

1. Retirez les produits congelés et rangez-les temporairement dans un endroit frais.
2. Éteignez l'appareil.
3. Débranchez la fiche mâle de la prise de courant ou coupez le fusible.
4. Pour accélérer le dégivrage, posez dans le compartiment congélateur un dessous de plat et une casserole remplie d'eau chaude.
5. Essuyez l'eau de dégivrage avec un torchon ou une éponge.
6. Passez un essuie-tout sec pour sécher le compartiment congélateur.
7. Remettez l'appareil en marche.
8. Rangez à nouveau les produits surgelés dans les tiroirs.

## Nettoyage de l'appareil

### Attention

- N'utilisez aucun produit de nettoyage contenant du sable, du chlorure ou de l'acide, ni aucun solvant.
- N'utilisez jamais d'éponges abrasives ou susceptibles de rayer. Des zones corrodées pourraient apparaître sur les surfaces métalliques.
- Ne nettoyez jamais les clayettes et les bacs au lave-vaisselle. Ces pièces pourraient se déformer !

Procédure :

1. Éteignez l'appareil avant de le nettoyer.
2. Débranchez la fiche mâle du secteur ou ramenez le disjoncteur en position éteinte !
3. Sortez les produits congelés et rangez-les dans un endroit frais.
4. Ne nettoyez l'appareil qu'avec un chiffon doux, de l'eau tiède et du produit à vaisselle présentant un pH neutre. L'eau de nettoyage ne doit pas pénétrer dans l'éclairage.
5. N'essuyez le joint de porte qu'avec un chiffon et de l'eau propre ; ensuite, séchez-le à fond.
6. Veillez à ce que l'eau de nettoyage ne traverse pas le trou d'écoulement et ne pénètre pas dans la zone d'évaporation.
7. Après le nettoyage : rebranchez la fiche mâle de l'appareil puis réenclenchez-le.
8. Rangez à nouveau les produits surgelés dans les tiroirs.

## Équipement

Pour nettoyer, il est possible de retirer toutes les pièces variables de l'appareil.

### Retirer les clayettes en verre

Fig. **4**

Soulevez les clayettes en verre, tirez-les en avant, abaissez-les et sortez-les latéralement.

### Rigole d'écoulement de l'eau de dégivrage

Avec un bâtonnet ouaté ou un objet similaire, nettoyez régulièrement la rigole et le trou d'écoulement afin que l'eau de dégivrage puisse s'écouler. Fig. **6**

### Sortir les supports en contre-porte

Soulevez les supports et retirez-les.

Fig. **8**

## Economies d'énergie

- Placez l'appareil dans un local sec et aérable. Veillez à ce que l'appareil ne soit pas directement exposé aux rayons solaires et qu'il ne se trouve pas à proximité d'une source de chaleur (par ex. radiateur, cuisinière).

Utilisez le cas échéant une plaque isolante.

- Attendez que les plats chauds aient refroidi avant de les ranger dans le compartiment congélateur !
- Rangez les produits surgelés dans le compartiment réfrigérateur pour qu'ils dégèlent. Utilisez l'excédent de froid pour refroidir les aliments.
- N'ouvrez la porte de l'appareil que le plus brièvement possible !
- Faites dégeler régulièrement la couche de givre présente dans la compartiment congélateur !  
Une couche de givre gêne la communication du froid aux produits et accroît la consommation de courant.

- Veillez à ce que la porte du compartiment congélateur soit correctement fermée.
- De temps en temps, nettoyez le dos de l'appareil avec un aspirateur ou une brosse, ceci pour éviter une hausse de la consommation d'électricité.

## Bruits de fonctionnement

### Bruits parfaitement normaux

#### Bourdonnement sourd

Les moteurs tournent (par ex. groupes frigorifiques, ventilateur).

#### Clapotis, sifflement léger ou gargouillis

Le fluide frigorigène circule dans les tuyaux.

#### Cliquetis

Le moteur, les interrupteurs ou les électrovannes s'allument / s'éteignent.

## Éviter la génération de bruits

### L'appareil ne repose pas d'aplomb

Veillez mettre l'appareil d'aplomb à l'aide d'un niveau à bulle. Ajustez ensuite l'horizontalité par les pieds à vis ou placez un objet dessous.

### L'appareil touche quelque chose

Eloignez l'appareil de meubles ou d'appareils voisins.

### Les bacs ou surfaces de rangement vacillent ou se coincent

Vérifiez les pièces amovibles puis remettez-les en place correctement.

### Des bouteilles ou récipients se touchent

Eloignez légèrement les bouteilles ou récipients les uns des autres.

## Remédier soi même aux petites pannes

Avant d'appeler le service après-vente (SAV) :

Vérifiez svp si vous ne pouvez pas remédier vous-même au dérangement à l'aide des instructions qui suivent.

Vous éviterez des dépenses inutiles car le déplacement du technicien du SAV vous sera facturé même pendant la période de garantie.

Dérangement	Cause possible	Remède
L'éclairage ne fonctionne pas.	L'ampoule est grillée.	Changez l'ampoule. Fig. <b>7</b> /B <ol style="list-style-type: none"> <li>1. Éteignez l'appareil.</li> <li>2. Débranchez la fiche mâle de la prise de courant et/ou ramenez le disjoncteur en position éteinte.</li> <li>3. Tirez la grille en avant.</li> <li>4. Changez l'ampoule (Ampoule de rechange : 220–240 V, courant alternatif, culot E14. Puissance : voir l'inscription sur l'ampoule défectueuse).</li> </ol>
	L'interrupteur de l'éclairage est coincé.	Vérifiez s'il peut s'enfoncer. Fig. <b>7</b> /A
Les aliments congelés sont collés entre eux ou contre une paroi.		Détachez-les à l'aide d'un objet émoussé. Ne les détachez pas avec un couteau ou un objet pointu.
Le compartiment congélateur présente une épaisse couche de givre.		Dégivrage du compartiment congélateur. Voir la section « Dégivrage ». Veillez toujours à ce que la porte du compartiment congélateur soit toujours correctement fermée.
Le fond du compartiment de réfrigération est mouillé.	Les rigoles à eau de dégivrage ou le trou d'écoulement sont bouchés.	Nettoyez les rigoles d'écoulement de l'eau de condensation et le tuyau d'écoulement voir « Nettoyage de l'appareil ». Fig. <b>6</b>

Dérangement	Cause possible	Remède
La température dans le compartiment réfrigérateur est trop basse.	La porte du compartiment congélateur est ouverte.	Fermez la porte du compartiment congélateur. La porte du compartiment congélateur encrante de façon bien audible.
	Vous avez mis d'un coup trop de produits à congeler.	Ne dépassez pas la capacité de congélation maximale.
	Le thermostat est réglé trop haut.	Réglez le thermostat sur une température plus basse.
Le groupe frigorifique s'enclenche de plus en plus souvent et longtemps.	Vous avez ouvert fréquemment l'appareil.	N'ouvrez pas l'appareil inutilement.
	Les orifices d'apport et d'évacuation d'air sont recouverts par des objets faisant obstacle.	Enlevez ces obstacles.
	Vous avez mis une assez grande quantité d'aliments à congeler.	Ne dépassez pas la capacité de congélation maximale.
Les produits congelés dégèlent.	La température ambiante, autour du réfrigérateur, est inférieure à +16 °C. Le groupe frigorifique démarre moins souvent.	Mettez le chauffage dans la pièce (plus de +16 °C). Fig. 2/B: Appareils avec thermostat de température ambiante : Pour enclencher le thermostat de température ambiante, appuyez dessus. Le repère « 0 » n'est plus visible. Dans l'appareil, l'éclairage intérieur s'allume mais avec une luminosité moindre.

Dérangement	Cause possible	Remède
L'appareil ne refroidit pas.	Le thermostat se trouve sur la position « 0 ».	Tournez le thermostat pour lui faire quitter la position « 0 ». Fig. 2/A
	<ul style="list-style-type: none"> <li>■ Coupure de courant.</li> <li>■ Le fusible/ disjoncteur a été retiré/se trouve en position éteinte.</li> <li>■ Fiche mâle incorrectement branchée dans la prise de courant.</li> </ul>	Vérifiez s'il y a du courant, vérifiez les fusibles / disjoncteurs.

## Service après-vente

Pour connaître le service après-vente situé le plus près de chez vous, consultez l'annuaire téléphonique ou le répertoire des services après-vente (SAV). Veuillez indiquer au SAV le numéro de série (E-Nr.) de l'appareil et son numéro de fabrication (FD).

Vous trouverez ces indications sur la plaque signalétique Fig. 9

Aidez-nous à éviter des déplacements inutiles : indiquez les numéros de série et de fabrication. Vous économiserez ainsi des suppléments de frais inutiles.

## Commande de réparation et conseils en cas de dérangements

Vous trouverez les données de contact pour tous les pays dans l'annuaire ci-joint du service après-vente.

FR 01 40 10 11 00

B 070 222 141

CH 0848 840 040

مشکل موجود	علت احتمالی	برطرف کردن مشکل
سیستم سرد کننده در فواصل هر چه کوتاهتری روشن می شود و هر بار مدت بیشتری روشن می ماند.	احتمالاً در دستگاه مکرراً باز و بسته شده باشد.	در دستگاه را بی دلیل باز نکنید.
	مجراهای ورود و خروج هوا مسدود شده است.	موانع را برطرف کنید.
	شاید مقادیر زیادی مواد خوراکی تازه در یک زمان فریز کرده آید.	از میزان حداکثر ظرفیت فریزر تجاوز نکنید.
یخ مواد غذایی شروع به ذوب شدن می کند.	درجه حرارت محیط اطراف از +16 درجه سانتی گراد کمتر است. سیستم سردکننده در فاصله های بلندتری خاموش و روشن می شود.	فضای محیط را گرم تر از +16 درجه کنید. برای دستگاه هایی که مجهز به سوییچ تنظیم درجه حرارت محیط هستند این سوییچ را فعال کنید. برای روشن کردن، کلید، تصویر 2/B، را فشار دهید - علامت «0» دیگر دیده نمی شود. چراغ داخل دستگاه روشن شده و بحالت خفیفی روشن می ماند.
یخچال خوب سرد نمی کند.	شاید دکمه تنظیم دما روی وضعیت «0» قرار گرفته باشد.	دکمه تنظیم دما را از وضعیت «0» خارج کنید. تصویر 2/A
	<ul style="list-style-type: none"> <li>■ قطع برق</li> <li>■ فیوز برق قطع شده است</li> <li>■ دوشاخه کابل درست در پریز قرار ندارد.</li> </ul>	کنترل کنید که آیا برق در مدار وجود دارد یا خیر. فیوز را امتحان کنید.

## مراجعه به مرکز خدمات پس از فروش برای تعمیر و مشاوره در هنگام بروز اشکال

در فهرست ضمیمه نشانی مراکز خدمات پس از فروش در همه کشورهای جهان را خواهید یافت.

## سرویس دهی به مشتریان

برای یافتن آدرس نمایندگی های مجاز نزدیک به محل زندگی خود به دفترچه تلفن یا فهرست آدرس مراجعه کنید. لطفاً شماره مدل دستگاه خود (E-Nr.) و همچنین شماره ساخت (FD-Nr.) را به سرویسکار ارائه دهید. این اطلاعات را در پلاک مدل متصل شده در دستگاه مشاهده می کنید. تصویر 9

لطفاً به منظور جلوگیری از ایاب و ذهاب غیرضروری مأموران سرویس، اطلاعات صحیح مربوط به شماره مدل و شماره ساخت را به افراد مذکور ارائه دهید. در این صورت از پرداخت مخارج اضافی جلوگیری خواهد شد.

## مشکلات کوچکی که می توان آنها را برطرف نمود

قبل از تماس تلفنی با سرویسکار دستگاه:

بررسی کنید که آیا خودتان می توانید اشکالات ایجاد شده را با توجه به نکاتی که در پایین صفحه گفته شده رفع نمایید یاخیر.

مخارج مشاوره یا حمل و نقل و سرویس دهی حتی در طول مدت گارانتی به عهده مشتری است.

مشکل موجود	علت احتمالی	برطرف کردن مشکل
روشنائی کار نمی کند.	لامپ سوخته یا خراب است.	لامپ معیوب را تعویض کنید. تصویر 7/B 1. دستگاه را خاموش کنید. 2. دوشاخه را از پریز بکشید یا فیوز را قطع کنید. 3. حفاظ سیمی را به جلو بکشید. 4. لامپ را تعویض کنید (مشخصات لامپ تعویضی: 220 تا 240 ولت. برق متناوب. پایه E14. اندازه وات را از روی لامپ سوخته شناسائی کنید).
	کلید لامپ گیر دارد.	کنترل کنید که آیا کلید تکان می خورد. تصویر 7/A
مواد غذائی منجمد به دیواره فریزر چسبیده اند و جدا نمی شوند.		مواد منجمد را با یک جسم کند از یخچال جدا کنید. از بکار بردن چاقو یا اشیا تیز خودداری کنید.
محفظه انجماد (فریزر) از یک قشر کلفت یخ پوشیده شده است.		محفظه انجماد را یخزدایی کنید (به قسمت یخزدایی فریزر مراجعه کنید). مواظب باشید که درب محفظه انجماد درست بسته شود.
کف محفظه سرد کننده مرطوب است.	احتمالا ناودان برفاب و سوراخ فاضلاب گرفته باشند.	ناودان جریان آب ناشی از ذوب یخ و لوله جریان آب را تمیز کنید (مراجعه کنید به بخش تمیز کردن دستگاه). تصویر 6
درجه حرارت محفظه سرد کننده به زیادی سرد است.	احتمالا در قفسه فریزر باز مانده است.	درب محفظه انجماد را ببندید. وقتی درب محفظه انجماد هنگام بسته شدن درست جا بیافتد. صدای واضحی از آن شنیده میشود.
	شاید در آن واحد مقادیر زیادی مواد خوراکی به داخل فریزر برای یخ زدن گذاشته اید.	میزان مواد موجود جهت انجماد نباید از حداکثر توان انجماد بیشتر شود.
	احتمالا دکمه تنظیم دما روی درجه خیلی بالا قرار گرفته باشد.	دکمه دما را روی درجه پائین تر قرار دهید.

## صرفه جویی در مصرف انرژی

- دستگاه را در یک محل خشک و قابل تهویه قرار دهید. دستگاه نباید به طور مستقیم در معرض نور آفتاب و یا در نزدیکی یک منبع حرارتی قرار گیرد (برای مثال بخاری یا اجاق). در صورت امکان از یک سطح عایق استفاده نمایید.
- خوراکی ها و مایعات گرم را ابتداء پس از خنک شدن کامل به داخل دستگاه بگذارید.
- جهت یخزدایی غذاهای منجمد ابتدا آنها را در محفظه یخچال قرار دهید. در این صورت می توان از سرمای آنها برای سرد شدن بیشتر محفظه سرد کننده دستگاه استفاده نمود.
- درب یخچال را تنها به مدت بسیار کوتاهی باز نگهدارید.
- ففسه فریزر را مرتب دیفرایز کنید!
- فنر نازک یخ تشکیل شده در محفظه انجماد سبب کاهش سرمادهی به مواد منجمد شده و علاوه بر آن مصرف برق را افزایش می دهد.
- مواظب باشید که در فریزر همیشه بسته باشد.
- قسمت پشت دستگاه را مرتب با جاروبرقی یا یک برس تمیز کنید تا بدین وسیله از مصرف اضافی برق جلوگیری شود.

## صداهای ناشی از کارکرد دستگاه

### صداهای کاملاً طبیعی

#### صدائی شبیه «غُرُونْد»

موتورها دارند کار می کنند (مثلا ماشین سرمازا، دستگاه دمنده)

#### صدای «پولوق پولوق»، «وِز وِز» و «غَرَّغَره»

از گردش ماده سرمازا در لوله ها ایجاد می شود.

#### صدای تَک تَک

موتور، کلید یا سوپاپ های مغناطیسی خاموش و روشن می شوند.

## صداهایی که به آسانی برطرف می شود

### دستگاه تراز نیست

لطفا دستگاه را به کمک يك وسیله تراز کنید. در این موارد از پیچ های پایه دستگاه استفاده کنید یا چیزی زیر آن بگذارید.

### دستگاه «لَم» داده است

لطفا دستگاه را از مبل یا چیزهایی که به آن لم داده، دور کنید.

### جعبه ها یا ففسه لق شده اند یا گیر کرده اند

لطفا همه قطعات جداشدنی را از جای شان بردارید و آن ها مجدداً نصب کنید.

### بطری ها یا ظروف به هم ماس شده اند

لطفا بطری ها و ظرف ها را کمی از هم جدا کنید.

## مراحل زیر را دنبال کنید:

1. قبل از شروع نظافت، دستگاه را خاموش کنید.
  2. پریز را از برق بکشید یا فیوز آن را قطع کنید!
  3. مواد خوراکی یخزده را از دستگاه خارج کرده و در جایی خنک نگهداری کنید.
  4. دستگاه را با یک پارچه نرم و آب ولرم و با اندکی مایع ظرفشویی ملایم پاک کنید. آب شستشو نباید به قسمت روشنایی دستگاه برسد.
  5. آب بندی های در را فقط با آب خالص پاک کنید و سپس بدقت با کشیدن دستمال خشک کنید.
  6. مواضب باشید که آب شستشو از طریق سوراخ فاضلاب به قسمت تبخیر دستگاه جاری نشود.
  7. پس از تمیزکاری، دستگاه را مجدداً به برق وصل کرده و روشن کنید.
  8. خوراکی های یخزده را مجدداً در فریزر بگذارید.
- تذکر
- تقریباً 4 ساعت قبل از شروع عملیات یخزدائی (دیفرایز) دکمه تنظیم دما را روی بالاترین درجه قرار دهید. تا دمای مواد خوراکی تاسرحد ممکن خنک شود و زمانی نسبتاً طولانی در هوای بیرون از دستگاه قابل نگهداری باشد.
1. مواد منجمد را خارج نموده و موقتاً در یک مکان سرد نگهداری کنید.
  2. دستگاه را خاموش کنید.
  3. دوشاخه را از برق بیرون کشیده و یا فیوز را قطع کنید.
  4. برای سرعت بخشیدن به یخزدائی یک قابلمه آب داغ با یک صفحه زیرقابلمه به داخل قفسه فریزر بگذارید.
  5. آب موجود را بوسیله پارچه یا ابر جمع کنید.
  6. محافظه فریزر را خشک کنید.
  7. دستگاه را مجدداً روشن کنید.
  8. مواد منجمد را دوباره در دستگاه قرار دهید.

## تجهیزات دستگاه

تمام قطعات قابل جابجائی دستگاه را می توان به منظور نظافت از دستگاه خارج کرد.

### خارج کردن قفسه های شیشه ای از دستگاه ۱

#### تصویر 4

قفسه شیشه ای را کمی بلند کرده به طرف جلو بکشید. و سپس به پائین کج کرده و از پهلو خارج کنید.

#### ناودان برفاب

ناودان برفاب و سوراخ فاضلاب را مرتباً با وسیله ای مانند «گوش پاک کن» تمیز کنید. تا برفاب بتواند از مجرا خارج شود. تصویر 6

### خارج کردن قفسه های توی در

قفسه را کمی به طرف بالا کشیده و از جایش خارج کنید. تصویر 8

## تمیز نمودن دستگاه

### ⚠ توجه

- هرگز از مواد پاک کننده ماسه ای یا سابنده یا اسیدی یا مواد حلال استفاده نکنید.
- هرگز از ابر های ساینده یا خراشنده استفاده نکنید. در سطوح فلزی دستگاه ممکن است خوردگی یا ساییدگی ایجاد شود.
- هرگز قفسه ها یا ظروف دستگاه را در ماشین ظرفشویی شستشو ندهید. این قطعات ممکن است در ماشین ظرفشویی تغییر فرم دهند!

## برچسب «OK»

در همه مدل ها موجود نیست

در صورتی که کنترل دما دارای علامت «OK» باشد. می توان به دمای پائین تر از 4 درجه بالای صفر سانتیگراد رسید. اما اگر کنترل دما دارای علامت «OK» نباشد دمای دستگاه را به تدریج روی درجه سردتر بگذارید.

### تذکر

در هنگام راه اندازی دستگاه مکن است تا رسیدن به درجه دمای مورد نظر تقریباً 12 ساعت طول بکشد.



تنظ یم صحیح

## یخزدایی

### یخ موجود در محفظه سردکننده به طور اتوماتیک ذوب می شود

همزمان با کار سیستم سرد کننده. در دیوار پشتی داخل محفظه قطرات ناشی از ذوب آب و یا قشر نازک یخ تشکیل می گردد. این پدیده از عملکرد دستگاه ناشی می شود و لازم نیست که شما این قطرات آب ناشی از ذوب یخ و یا قشر نازک یخ را پاک کنید. یخ موجود در دیوار پشتی داخل به طور اتوماتیک ذوب می شود. این آب در ناودان تعبیه شده جریان می یابد. تصویر 6

از طریق ناودان مذکور آب به طرف سیستم سرد کننده سرازیر گشته و سپس تبخیر می گردد.

### تذکر

ناودان جریان آب و سوراخ جذب آب را تمیز نگه دارید تا جریان آب براحتی انجام گیرد.

### قسمت فریزر

یخ های موجود در محفظه انجماد به طور اتوماتیک ذوب نمی شوند زیرا مواد منجمد نباید یخزدایی شوند. وجود یک قشر نازک از یخ در محفظه انجماد سبب رطوبت دهی کمتر به مواد یخ زده و افزایش مصرف برق می گردد. قفسه فریزر را مرتباً دیفرایز کنید.

### ⚠ توجه

جهت زدودن قشر نازک یخ از بکار بردن چاقو یا اجسام تیز خودداری نمایید. در غیر این صورت لوله های حاوی مواد سرد کننده آسیب می بینند. فوران ماده سرد کننده مکن است موجب اشتعال این ماده و یا منجر به آسیب دیدگی چشم گردد.

## خاموش کردن و عدم استفاده از دستگاه برای مدت طولانی

### خاموش کردن دستگاه

دکمه تنظیم دما، تصویر 2/A، را روی وضعیت «0» قرار دهید. موتور خنک کننده و روشنائی دستگاه خاموش می شوند.

### حالت عدم استفاده

اگر قصد دارید از دستگاه برای مدت طولانی استفاده نکنید:

1. دستگاه را خاموش کنید.
2. جریان برق را با در آوردن دو شاخه قطع نموده و یا فیوز را قطع نمایید.
3. دستگاه را تمیز کنید.
4. درب دستگاه را باز نگه دارید.

## یخزدایی مواد منجمد

جهت یخزدایی مواد منجمد می توان یکی از کارهای زیر را نسبت به مورد استفاده انجام داد:

- قراردادن مواد غذایی در دمای اطاق
- قرار دادن مواد غذایی در یخچال
- قرار دادن مواد غذایی در اجاق برقی با یا بدون استفاده از هوای گرم
- قرار دادن مواد غذایی درون میکروفر.

### تذکر

مواد غذایی از انجماد خارج شده را مجدداً فریز ننمایید. تنها پس از کار بر روی این مواد (پختن یا سرخ کردن) می توان این مواد را مجدداً فریز نمود.

در این صورت نباید از حداکثر درجه انجماد استفاده نمود.

مواد نامناسب برای استفاده جهت بسته بندی:

کاغذهای ضخیم، کاغذ پرگامنت، سلوفان، کیسه زیاله و کیسه خرید استفاده شده.

مواد مناسب جهت بسته بندی:

فویل های ساخته شده از مواد مصنوعی، فویل های لوله ای ساخته شده از پلی اتیلن، فویل های آلومینیومی و قوطی های مخصوص فریزر. مواد مذکور در مغازه های مربوطه یافت می شوند.

مواد مناسب برای محکم کردن درب بسته بندی:

بست یا کلیپس های ساخته شده از مواد مصنوعی، حلقه های لاستیکی، نخ های بسته بندی، نوار چسب های مقاوم در برابر سرما و غیره. شما می توانید کیسه و فویل های پلی اتیلنی را با دستگاه مسدود کننده کیسه های فویلی مسدود نمایید.

## زمان نگهداری مواد غذایی

این زمان بستگی به نوع ماده غذایی دارد و با درجه حرارت متوسط به ترتیب زیر می باشد 18- درجه سانتی:

- ماهی، سوسیس، غذاهای آماده و شیرینی ها:  
تا حداکثر 6 ماه
- پنیر، گوشت پرندگان، مرغ و گوشت:  
تا حداکثر 8 ماه
- سبزی و میوه:  
تا حداکثر 12 ماه

## تجهیزات

(در همه مدل ها نیست)

### قفسه های شیشه ای

تصویر 4

شما می توانید قفسه ها را بسته به نیازتان جابجا کنید: برای این کار قفسه را کمی بلند کرده به طرف جلو بکشید و سپس به پائین کج کنید و از پهلو خارج کنید.

### قفسه بطری

تصویر 5

در قفسه بطری می توان بطری هارا با اطمینان خواباند. نگهدارنده بطری قابل جابجائی است.

## حداکثر گنجایش فریزر

اطلاعات مربوط به حداکثر گنجایش فریزر در مدت 24 ساعت در تابلو مشخصات مندرج است.

## فریز کردن و انبار کردن مواد غذائی

### خرید مواد خوراکی یخ زده

- بسته بندی نباید صدمه دیده باشد.
- تاریخ مصرف باید در نظر گرفته شود.
- درجه حرارت در محفظه فروش مواد غذایی منجمد باید 18- درجه سانتی گراد یا حتی کمتر باشد.
- حتی الامکان مواد مذکور را در یک کیسه عایق حمل نموده و به سرعت آنها را در فریزر قرار دهید.

## فریز کردن مواد خوراکی تازه

تنها مواد تازه و سالم را جهت انجماد انتخاب کنید.

برای این که ارزش غذائی، عطر و رنگ خوراکی تا سرحد ممکن حفظ شود، بهتر است که سبزیجات را قبل از فریز کردن در آب جوش غوطه ور (بالانش) کنید. این کار در مورد بادمجان، فلفل دله (پاپریکا)، کدو خورشتی و مارچوبه لازم نیست.

کتاب های مربوط به روش فریز کردن و بالانش کردن، در کتابفروشی های تخصصی عرضه می شود.

### تذکر

مواد آماده برای انجماد را با مواد غذایی منجمد در یک محل قرار ندهید، مواد غذایی را قبل از انجماد طوری بسته بندی کنید که هوا وارد نشود.

- خوراکی های مناسب برای فریز کردن:
  - کیک و شیرینی تازه، ماهی و خوراکی های دریائی، گوشت، گوشت شکار، گوشت پرندگان، سبزیجات، میوه، گیاهان ادویه ای، زرده و سفیده تخم مرغ بدون پوست، لبنیات مانند پنیر، کره و پنیر تازه، غذای آماده، باقیمانده غذا نظیر سوپ، آش، گوشت و ماهی پخته، سوفله و خوراکی های شیرین.
- خوراکی های نامناسب برای فریز کردن:
  - سبزیجاتی که معمولاً آن را خام می خورند، مانند کاهو های سالاد، تربچه، تخم مرغ کامل، انگور، سیب درسته، گلابی و هلو، تخم مرغ پخته سفت، ماست، شیر، خامه ترش، سرشیر و مایونیز.

### تذکر

هنگام انجماد مواد غذایی تازه، سیستم سردکننده تا زمان انجماد کامل این مواد به طور اتوماتیک کار می کند. تحت شرایط موجود دمای یخچال کاهش می یابد. دکه انتخاب درجه حرارت را روی درجات کمتر میزان نمایید.

## بسته بندی مواد یخزده

با این کار مزه آنها حفظ شده و از خشک شدن آنها جلوگیری می شود.

1. مواد غذایی را درون پاکت بسته بندی قرار دهید.
2. هوا را بطور کامل با فشار خارج نمایید.
3. در بسته را خوب ببندید.
4. بر روی بسته بندی نام محتوا و تاریخ بسته بندی را بنویسید.

## به مناطق سرد یخچال توجه کنید!

چرخش هوا در یخچال سبب تشکیل بخش‌های سرمای‌با درجه حرارت متفاوت می‌گردد که در زیر به آنها اشاره می‌شود:

- سردترین منطقه یخچال محدوده ای است میان فلش روی جداره کناری تا قفسه شیشه‌ای پائین آن. تصویر 3

### تذکر

در سردترین قسمت می‌توانید مواد غذایی حساس را نگهداری کنید (به عنوان مثال ماهی، سوسیس و گوشت).

- گرم‌ترین بخش در قسمت بالا در کنار درب

### تذکر

در گرم‌ترین بخش دستگاه می‌توانید موادی نظیر کره و پنیر نگه‌داری کنید. در این صورت پنیر عطر و طعم خود را حفظ کرده و کره نیز نرم می‌ماند بطوریکه مالیدن آن روی نان مشکل نباشد.

## فضای فریزر

### استفاده از فضای فریزر

- برای نگهداری خوراکی‌های یخ‌زده
- برای تهیه یخ حبه‌ای
- برای فریز کردن مواد خوراکی

### تذکر

مراقب باشید که درب فریزر همیشه بسته باشد! گر در فریزر باز بماند، یخ مواد خوراکی ذوب می‌شود و داخل فریزر به شدت برفک و یخ می‌زند. علاوه براین: در اثر مصرف زیاد برق انرژی به هدر می‌رود.

در قفسه فریزر در موقع بسته شدن صدای «تق» می‌کند.

## میزان سردکنندگی دستگاه

درجه حرارت در محفظه سردکننده می‌تواند در اثر افزایش مقدار مواد غذایی و نوشیدنی‌ها به طور موقت افزایش یابد.

بنابر این بهتر است برای تقریباً 7 ساعت دکمه انتخاب درجه حرارت را روی درجه بالاتر تنظیم نمایید.

## بخش فریزر

دمای فضای فریزر وابسته به دمای فضای یخچال است.

## حجم مفید

اطلاعات مربوط به حجم مفید دستگاه را می‌توانید در پلاک مدل نصب شده در داخل دستگاه مشاهده کنید.

## قسمت یخچال

قسمت یخچال بهترین جای نگهداری غذاهای آماده، شیرینی تازه و کیک، کنسرو، شیرعسل، پنیر خشک، میوه حساس و آسیب‌پذیر از سرما، سبزیجات و میوه‌های گرمسیری.

## هنگام قرار دادن مواد غذایی در یخچال

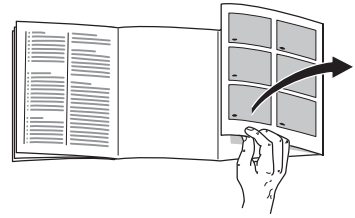
### به موارد زیر توجه کنید

مواد غذایی را پس از بسته بندی مناسب یا با درپوش در یخچال قرار دهید. بدین ترتیب عطر و طعم و تازگی و رنگ آنها حفظ می‌شود. علاوه بر آن از انتقال طعم و بو به مواد غذایی دیگر و تغییر رنگ قسمت‌های پلاستیکی جلوگیری می‌شود.

### تذکر

از تماس شدن خوراکی‌ها با جداره عقب دستگاه اجتناب کنید. وگرنه گردش هوای داخل دستگاه مختل می‌شود. مواد خوراکی و یا بسته بندی‌ها ممکن است در اثر یخزدگی به جداره عقب دستگاه بچسبند.

## آشنایی با دستگاه



لطفا صفحه آخر دفترچه را باز کرده و به تصاویر آن نگاه کنید. این دفترچه راهنمای مصرف برای چند مدل مختلف تدوین شده است.

جهیزات مدل های مختلف ممکن است باهم متفاوت باشند. بنابراین امکان تفاوت هائی در تجهیزات و جزئیات با تصاویر عرضه شده وجود دارد.

### تصویر 1

- 1 تنظیم کننده دما/روشنائی
- 2 کلید چراغ
- 3 قفسه شیشه ای یخچال
- 4 قسمت ویژه سبزیجات
- 5 قفسه داخل در
- 6 قفسه مخصوص بطری های بزرگ

A قسمت فریزر

B قسمت یخچال

## روشن کردن دستگاه

دکمه تنظیم دما، تصویر 2/A، را از وضعیت «0» خارج کنید. دستگاه شروع به خنک کردن می کند. روشنائی دستگاه در حالت باز بودن در به کار می افتد.

## تذکراتی در باره کارکرد دستگاه

درجه حرارت یخچال به دلایل زیر گرم تر می شود:

- باز و بسته نمودن مرتب درب یخچال،
- قرار دادن مقدار زیاد مواد غذایی درون یخچال،
- درجه حرارت بالای محیط اطراف.

## تنظیم درجه حرارت

### فضای فریزر

دکمه تنظیم دما، تصویر 2/A، را روی درجه دلخواه بچرخانید. اگر درجه یخچال را روی درجه متوسط تنظیم کنید دمای یخچال حدود +4 درجه سانتی گراد در منطقه ای که کمترین دما را دارد، تصویر 3، خواهد بود. درجات بالاتر دمای کمتری را در قسمت یخچال و فریزر نشان می دهد.

پیشنهاد می شود که:

- خوراکی های حساس در دمای گرم تر از +4 درجه سانتیگراد نگهداری نشود.
- برای نگهداری کوتاه مدت خوراکی ها دمای دستگاه را روی درجه پائین تنظیم کنید (کارکرد صرفه جویانه دستگاه).
- برای نگهداری درازمدت خوراکی ها دمای دستگاه را روی درجه متوسط تنظیم کنید.
- از تنظیم درجه بالای دما فقط موقتا و در مواقع باز و بسته شدن مکرر در دستگاه و نیز در هنگام گذاشتن مقادیر زیاد خوراکی به داخل یخچال استفاده کنید.

## تهویه

ورود و خروج هوای سیستم سرد کننده تنها از طریق دریچه هوای موجود در پایه دستگاه میسر است. به هیچ وجه نباید دریچه هوا بسته و یا چیزی در جلوی آن قرار داده شود، در غیر این صورت سیستم سرد کننده بیش از زحد معمول فعال می شود که سبب افزایش مصرف برق خواهد شد.

## چگونگی اتصال دستگاه

بعد از استقرار دستگاه و قبل از اتصال آن به برق باید حداقل 1 ساعت صبر کنید، چون ممکن است در خلال حمل و نقل روغن داخل کمپرسور به سیستم سردکننده سرایت کرده باشد. در حین حمل احتمال دارد که روغن موجود در کمپرسور در سیستم سرد کننده جمع گردد.

## اتصال به شبکه برق

پریز برق باید نزدیک به دستگاه و حتی پس از نصب دستگاه هم به خوبی در دسترس باشد.

این دستگاه منطبق است با استاندارد ایمنی درجه 1. این دستگاه را از طریق پریز مجهز به اتصال محافظ زمین که مطابق مقررات مونتاژ شده باشد، به برق متناوب 220 تا 240 ولت/50 هرتس وصل کنید. پریز برق باید دارای فیوز 10 تا 16 آمپر باشد.

جهت دستگاه هایی که در کنشورهای غیراروپایی مورد استفاده قرار می گیرند، باید به پلاک مدل نصب شده در دستگاه مراجعه کنید تا مشخص گردد که آیا مشخصات داده شده در مورد ولتاژ برق با آنچه در کنشور شما متداول است تطبیق می نماید یا خیر. این اطلاعات در تابلو مشخصات مندرج است. تصویر 9

## به دمای محیط و تهویه آن

### توجه کنید

### دمای محیط

این دستگاه برای منطقه جوی خاصی برنامه ریزی شده است. بسته به نوع منطقه جوی می توان این دستگاه را در دماهای زیر به کار انداخت.

نوع منطقه جوی در تابلو مشخصات مندرج است. تصویر 9

نوع محیط	درجه حرارت مجاز
SN	+10 تا 32 درجه سانتیگراد
N	+16 تا 32 درجه سانتیگراد
ST	+16 تا 38 درجه سانتیگراد
T	+16 تا 43 درجه سانتیگراد

### هشدار

این دستگاه در محدوده های دما که در جدول بندی منطقه های جوی اعلام شده، بخوبی کار می کند. اگر دستگاهی را که برای منطقه جوی SN ساخته شده، در دمای سردتر به کار ببندازید، آسیب هائی که به دستگاه وارد می شود تا میزان +5 سانتیگراد می تواند مشمول ضمانت باشد.

### کلید دمای محیط

اگر دمای محیط در مورد دستگاه های مخصوص منطقه جوی SN گرمتر از 16 درجه سانتیگراد باشد، ممکن است دمای داخل فریزر گرم تر از حد مجاز شود و در موارد غیرعادی، به ذوب شدن یخ خوراکی های یخزده بیاجامد. برای جلوگیری از این وضعیت، کلید دمای محیط را روی حالت روشن بگذارید. در نتیجه موتور سرمازا دفعات بیشتر به کار می افتد. اکنون دستگاه می تواند در دمای محیط از +10 درجه سانتیگراد تا +16 سانتیگراد کار کند.

برای فعال کردن این وضعیت، کلید دمای محیط را فشار دهید. تصویر 2/B

اکنون علامت «0» دیگر دیده نمی شود. روشنایی داخل دستگاه با نور کمتر روشن است.

بمنظور صرفه جویی در انرژی برق، کلید دمای محیط را، به محض این که دمای محیط سرد تر از +16 درجه سانتیگراد بشود، خاموش کنید.

## چگونگی دفع مواد زائد

### دفع مواد بسته بندی

بسته بندی دستگاه جهت جلوگیری از خسارت به دستگاه شما می باشد. کلیه مواد موجود در بسته بندی غیرآلاینده بوده و قابل استفاده مجدد می باشند. لطفاً همکاری نموده و این مواد را مطابق با مقررات زیست محیطی دفع نمایید. لطفاً جهت چگونگی دفع این مواد با روش مدرن، اطلاعات لازم را از فروشنده و یا از شهرداری محل خود کسب نمایید.

### چگونگی دفع دستگاه های قدیمی

دستگاه های قدیمی زباله بی ارزش محسوب نمی شوند. با روش صحیح دفع مطابق با مقررات زیست محیطی می توان مواد خام با ارزشی را بازیافت کرد.

این دستگاه مطابق با مقررات اروپایی شماره 2002/96/EG برای دستگاه های برقی و الکترونیکی در مورد

(WEEE – waste electrical and electronic equipment)

می باشد. این اساسنامه در سراسر اتحادیه اروپا چارچوبی را جهت بازیافت گسترده مواد زائد و دستگاه های قدیمی ارائه می نماید.

### هشدار

پس از غیر قابل استفاده شدن دستگاه

1. دوشاخه را از برق بیرون بکشید.
2. کابل را قطع نموده و سیم برق را جدا کنید.

3. قفسه ها و جعبه ها را از دستگاه خارج نکنید تا کودکان نتوانند به داخل دستگاه بروند.

4. نگذارید کودکان با دستگاه های از کارافتاده بازی کنند. خطر خفگی در داخل دستگاه!

دستگاه های سرد کننده دارای مواد سرد کننده بوده و در قسمت عایق بندی شده نیز گاز وجود دارد. مواد سرد کننده و گاز موجود باید با روشی تخصصی دفع گردند. لوله های چرخش مواد سرد کننده تا زمان دفع تخصصی آنها توسط افراد متخصص باید سالم بمانند.

## محتویات بسته کالا

پس از باز کردن بسته بررسی کنید که هیچ یک از قطعات داخل آن در هنگام حمل و نقل آسیبی ندیده باشد.

در صورت مشاهده اشکال به فروشنده ای که دستگاه را از او خریده اید یا مرکز خدمات پس از فروش برای رفع اشکال مراجعه کنید.

بسته دستگاه شامل قطعات زیر است:

- دستگاه توکار
- تجهیزات دستگاه (بسته به نوع مدل)
- دفترچه راهنمای استفاده
- دفترچه راهنمای مونتاژ
- فهرست مراکز خدمات پس از فروش
- برگه ضمانت
- اطلاعاتی در باره مصرف انرژی و صداهای دستگاه
- پاکت حاوی وسائل مونتاژ

## وجود کودکان در خانه

- مواد بسته بندی و قطعات آن را در اختیار کودکان نگذارید. خطر خفگی بوسیله کارتون های ناشو و مشماهای بسته بندی وجود دارد!
- این دستگاه اسباب بازی کودکان نیست!
- در مورد دستگاه هائی که درشان قفل دارد: کلید را دور از دسترس کودکان نگهداری کنید!

## مقررات کلی

این دستگاه برای مصارف زیر مناسب است:

- برای خنک کردن و انجماد مواد خوراکی،
- برای تهیه یخ.
- استفاده از این دستگاه فقط در مصارف خانگی و استفاده شخصی و در محیط خانگی مجاز است.
- این دستگاه فقط برای مصارف خانگی تولید شده است.
- این دستگاه مطابق استاندارد شماره (2004/108/EC) اتحادیه اروپا دارای امکان عدم اخلاص امواج رادیویی است.
- چرخش مواد سردکننده از نقطه نظر عدم نشست مورد آزمایش قرار گرفته است.
- این دستگاه مطابق مقررات معتبر مربوط به ایمنی دستگاه های الکتریکی (EN 60335-2-24) ساخته شده است.

- از پایه دستگاه، قطعات کشوئی، درب ها و غیره بعنوان رکاب برای تکیه دادن و بالا رفتن استفاده نکنید.
- هنگام یخزدایی و تمیز کردن دستگاه، آن را از برق جدا کرده یا فیوز را قطع نمایید. دوشاخه را از پریز جدا کنید، کابل را نکشید.
- درب مواد حاوی الکل زیاد را فقط محکم بسته و بحالت ایستاده نگهداری کنید.
- قسمت های لاستیکی و درزگیرهای درب را با روغن یا چربی آغشته نکنید. در غیر اینصورت، قسمت های مذکور متخلخل می شوند.
- درپچه های ورود و خروج هوا را هرگز مسدود و یا بسته نگه ندارید.
- استفاده از این دستگاه توسط اشخاصی (با شمول کودکان) که دارای محدودیت جسمی یا روحی یا حساس باشند یا از اطلاعات کمتری برخوردارند فقط زیر نظر یا راهنمایی کامل اشخاص صلاحیت دار که مسئولیت ایمنی آنان را به عهده دارند، مجاز است.
- هرگز مایعات را در شیشه یا قوطی کنسرو در فریزر نگهداری نکنید (به ویژه نوشیدنی های حاوی گاز کربنیک) در غیر این صورت خطر ترکیدن شیشه یا کنسرو وجود دارد.
- هرگز مواد یخزده را بلافاصله پس از خروج از فریزر وارد دهان ننمایید.
- خطر سوزش ناشی از مواد یخزده!
- از تماس طولانی دست با مواد یخ زده، یخ و یا لوله های تبخیر فریزر و غیره خودداری کنید.
- خطر سوزش ناشی از مواد یخزده!

## دستورالعمل های ایمنی و هشدارها

### قبل از شروع به کار و استفاده از دستگاه

دستورالعمل های استفاده از دستگاه و چگونگی نصب قطعات آن را به دقت مطالعه نمایید. این دستورالعمل ها حاوی اطلاعات مهمی در مورد چگونگی نصب، استفاده و نگهداری دستگاه می باشند.

کلیه دستورالعمل ها را جهت استفاده بعدی یا برای استفاده صاحب بعدی دستگاه نگهداری کنید.

### امنیت تکنیکی

این دستگاه به مقدار کم حاوی ماده سرد کننده قابل اشتعال R600a می باشد که با قوانین زیست محیطی مطابقت دارد. بنابراین مراقب باشید که لوله های پرخش مواد سرد کننده هنگام حمل و نقل و نصب قطعات دستگاه آسیب نبینند. پاشیده شدن مواد سرد کننده به بیرون، سبب آسیب دیدن چشم و یا عفونی شدن آن می گردد.

در صورت آسیب دیدن این لوله ها به نکات زیر توجه کنید

- آتش و یا منبع ایجاد آتش را از دستگاه دور نگه دارید.
- به مدت چند دقیقه فضا را تهویه نمایید.
- دستگاه را خاموش کرده و دوشاخه را از پریز بکشید.
- بخش خدمات دستگاه را از جریان مطلع نمایید.

هرقدر میزان مواد سردکننده در دستگاه بیشتر باشد، به همان نسبت باید فضای دربرگیرنده دستگاه بزرگتر باشد- در یک فضای کوچک، در صورت نشستن، مخلوطی ازگاز و هوای قابل اشتعال تشکیل می گردد.

به ازای هر هشت گرم مواد سردکننده باید محل قراردادن دستگاه حداقل یک متر مکعب فضا داشته باشد. مقدار مواد سرد کننده دستگاه شما در داخل صفحه مشخص کننده نوع دستگاه نوشته شده است.

اگر کابل برق دستگاه آسیب دیده باشد، باید توسط سازنده دستگاه، یا مرکز خدمات پس از فروش یا اشخاص با صلاحیت مشابه، تعویض گردد.

عملیات تعویضی یا تعمیری دستگاه توسط اشخاص بی صلاحیت ممکن است منجر به خطرات مهم برای مصرف کننده دستگاه بشود.

تعمیر دستگاه فقط توسط سازنده دستگاه یا مرکز خدمات پس از فروش یا اشخاص با صلاحیت مشابه مجاز است.

فقط استفاده از لوازم یدکی اورجینال سازنده دستگاه مجاز است. فقط در صورت استفاده از این لوازم یدکی، سازنده تأمین حداکثر ایمنی دستگاه را ضمانت می کند.

سیم رابط دستگاه فقط از مرکزخدمات پس از فروش قابل تهیه است.

### هنگام استفاده از دستگاه به نکات زیر توجه کنید

- هرگز دستگاه های برقی دیگر را در داخل این دستگاه بکار نگیرید (بطور مثال دستگاه گرم کننده، یخ ساز برقی و غیره).
- خطر انفجار!
- هرگز جهت یخزدایی یا تمیزکردن دستگاه از دستگاه بخارشور استفاده نکنید. در این صورت، بخار به درون بخش های الکتریکی نفوذ کرده و منجر به قطع برق می گردد.
- خطر برق گرفتگی!
- هرگز برای زودن لایه های نازک یخ یا جدا کردن مواد یخزده که به دیواره فریزر چسبیده اند، از چاقو یا اجسام تیز استفاده نکنید. این امر می تواند به آسیب دیدن لوله های مواد سردکننده منجر گردد. نشستن مواد سرد کننده، عفونی شدن و یا صدمه دیدن چشم را در پی دارد.
- هرگز دستگاه را با گازهای قابل اشتعال نظیر اسپری ها و همچنین مواد منفجر شونده در یک محل انبار نکنید. خطر انفجار!

العطل	السبب المحتمل	إزالة الأعطال
محرك التبريد يعمل دائماً لفترات أكثر وأطول من المعتاد.	باب الجهاز تم فتحه لمرات عديدة متتالية.	لا يجب فتح الباب إلا عند الضرورة.
	فتحات التهوية وتصريف الهواء مغطاة.	إزالة عوائق التهوية وتصريف الهواء.
	تم تجميد كمية كبيرة من المواد الغذائية الطازجة.	يجب الالتزام بسعة التجميد القصوى للجهاز.
المواد الغذائية المجمدة يذوب جليده.	في حالة انخفاض درجة حرارة الوسط المحيط بالجهاز إلى أقل من 16 درجة مئوية. حينئذ تتوقف ماكينة التبريد عن العمل.	يجب تدفئة الحجرة التي يوجد بها الجهاز إلى درجة أعلى من 16 درجة مئوية. يجب ضبط زر درجة حرارة الوسط المحيط للجهاز على وضع التشغيل في حالة توافره بجهازك. يتم تشغيله بالضغط على الزر، الصورة 2/B. حينئذ تختفي العلامة «0» ويضيء مصباح الإضاءة الداخلية إضاءة خافتة بصفة مستمرة.
الثلاجة ليس لديها قدرة على التبريد.	مفتاح تنظيم درجة الحرارة مضبوط على وضع «0».	يتم إدارة مفتاح تنظيم درجة الحرارة وضبطه على درجة أعلى من وضع «0». الصورة 2/A
	■ انقطاع التيار الكهربائي. ■ مفتاح المنصهر الرئيسي ليس في وضع التشغيل. ■ قد تم وضع القابس في المقبس بطريقة صحيحة.	يجب التأكد من وجود تيار كهربائي واختبار سلامة مفتاح المنصهر الرئيسي.

## مراكز خدمة العملاء

سوف تجد رقم الهاتف الخاص بأقرب مركز خدمة العملاء لك بدليل التليفون الرسمي أو في قائمة فهرس مراكز خدمة العملاء. رجاء ذكر رقم المنتج (E-Nr.) وكذلك رقم التصنيع (FD-Nr.) الخاص بالجهاز لمركز خدمة العملاء.

سوف تجد هذه البيانات بلوحة الطراز. الصورة 9

الرجاء مساعدة مركز خدمة العملاء على توفير نفقات غير ضرورية ذلك بذكر رقم المنتج ورقم التصنيع حيث يمكن بذلك توفير نفقات إضافية قد تنشأ نتيجة لعدم ذكر تلك البيانات.

## التكليف بأعمال إصلاح وتقديم المشورة في حالات الخلل

بيانات الاتصال الخاصة بجميع الدول تجدها في سجل مراكز خدمة العملاء المورد مع الجهاز.

## إزالة الأعطال البسيطة بنفسك

قبل استدعاء مركز خدمة العملاء:

اختبر بنفسك إذا ما كان من الممكن إزالة الأعطال بنفسك بناء على التعليمات التالية. يجب عليك أن تتحمل بتكاليف استشارة مركز خدمة العملاء بنفسك حتى أثناء فترة الضمان!

العطل	السبب المحتمل	إزالة الأعطال
الإضاءة الداخلية لا تعمل.	المصباح تالف كما في.	استبدال المصباح التالف. الصورة B/7 1. يتم إبطال عمل الجهاز. 2. يتم فصل التيار الكهربائي بسحب القابس من المقبس أو إغلاق مفتاح المنصهر. 3. يتم سحب شبكة تغطية المصباح نحو الأمام. 4. استبدال المصباح بمصباح بديل (المصباح البديل، 240-220 فولت تيار متردد، قاعدة المصباح E14، واط أنظر المصباح التالف).
مفتاح الإضاءة منحشر كما في.	اختبر إذا أمكن تحريكه. إن لم تستطع تحريكه يرجى الاتصال بأحد مراكز الخدمة. الصورة A/7	
المواد الغذائية المجمدة ملتصقة بالجهاز.	قم بنزع المواد الغذائية المجمدة الملتصقة بالجهاز باستخدام أية آلة غير حادة. منوع استخدام السكين أو أية آلة حادة.	
تكون طبقة كثيفة من الصقيع بالحيز الخاص بالتجميد.	يجب إذابة الصقيع بحيز التجميد (أنظر تعليمات إذابة الصقيع). يجب التأكد من إحكام غلق باب حيز التجميد.	
أرضية حيز التبريد مبللة.	يوجد انسداد في مجاري تصريف ماء ذوبان الطبقة الثلجية أو في ثقب التصريف.	رجاء تنظيف مجاري ماء الذوبان وماسورة التصريف (أنظر تعليمات تنظيف الجهاز). صورة 6
انخفاض درجة الحرارة داخل حيز التبريد أكثر مما ينبغي.	باب حيز التجميد مفتوح.	أغلق باب حيز التجميد. يجب إحكام غلق باب حيز التجميد بصوت مسموع.
تم تجميد كمية كبيرة من المواد الغذائية دفعة واحدة.	لا تتعدى أقصى كمية للتجميد.	
مفتاح تنظيم درجة الحرارة مضبوط على درجة أعلى مما ينبغي.	مفتاح تنظيم درجة الحرارة مضبوط على درجة أعلى مما ينبغي.	يتم ضبط مفتاح تنظيم درجة الحرارة على درجة أقل.

## توفير الطاقة الكهربائية

- يجب نصب الجهاز في حجرة جافة قابلة للتهوية، وعدم تعريض الجهاز لأشعة الشمس المباشرة وعدم وضعه بالقرب من مصدر حراري (مثل جهاز التدفئة أو الموقد). وعند الاضطرار لذلك يفصل بينهما بلوح عازل.
- المواد الغذائية والمشروبات الدافئة يجب تركها خارج الجهاز حتى تكون قد بردت ثم يتم وضعها في الجهاز!
- يفضل وضع المواد الغذائية المجمدة في حيز التبريد حتى يذوب الثلج منها. وبهذا تستخدم البرودة المنبعثة من المواد المجمدة في تبريد المواد الغذائية الأخرى.
- الحرص على عدم فتح باب الثلاجة إلا لفترات قصيرة جداً بقدر الإمكان.
- يجب وبصورة منتظمة إزالة الطبقة الثلجية من حيز التجميد.
- يجب إذابة الصقيع أو الثلج الذي يتكون داخل حيز التجميد حيث أن تكوّن طبقة سميكة من الصقيع يؤثر سلبياً على انتقال البرودة إلى المواد المحفوظة كما يؤدي إلى زيادة استهلاك الطاقة.
- يجب التأكد من أن يكون باب حيز التجميد مغلقاً دائماً.
- يجب تنظيف الجانب الخلفي للجهاز من حين لآخر باستخدام المكنسة الكهربائية أو فرشاه حيث أن ذلك يساعد على تجنب زيادة معدل الاستهلاك للطاقة.

## الأصوات الصادرة أثناء عمل الثلاجة

### الأصوات العادية تماماً

#### الهدير

الحركات تعمل (على سبيل المثال وحدات التبريد، المراوح).

#### أصوات الدمدمة والقرقرة والأزيز

مادة التبريد تنساب خلال مواسير التوصيل.

#### صوت «كليك»

الحرك أو مفاتيح القطع والوصل أو الصمامات

المغناطيسية يتم تشغيلها/إيقاف تشغيلها.

### الأصوات التي يسهل إزالتها

#### الجهاز ليس منصوب باستواء أفقي

رجاء نصب الجهاز باستواء أفقي بالاستعانة بميزان ماء.

وتستخدم لذلك الحوامل القلاووظ أو يمكن وضع شيء ما تحت الحوامل.

#### الجهاز «مسنود»

رجاء تحريك الجهاز بعيداً عن الأثاث أو الأجهزة المسنودة عليه.

#### الحاويات أو أسطح الحفظ تهتز أو منحشرة

رجاء فحص الأجزاء التي يمكن فصلها أو سحبها وإعادة

تركيبها مرة أخرى عند اللزوم.

#### الأواني تلامس بعضها البعض

رجاء تحريك الزجاجات والأواني للفصل بينها قليلاً.

## قم باتباع الخطوات التالية:

## تنبيه هام

قبل إزالة الطبقة الثلجية بمدة قدرها حوالي 4 ساعات يتم إدارة مفتاح تنظيم درجة الحرارة وضبطه على أعلى درجة. وذلك لكي تصل المواد الغذائية إلى درجة حرارة منخفضة جدا ومن خلال ذلك يصبح من الممكن الحفاظ عليها لوقت أطول في درجة حرارة الغرفة العادية.

1. أخرج المواد الغذائية المجمدة وضعها في مكان بارد.

2. يتم إبطال عمل الجهاز.

3. اسحب القابض من المقبس أو اغلق المنصهر.

4. لجعل عملية إذابة الثلج أكثر سرعة يتم وضع وعاء طهي مملوء بماء ساخن على قاعدة عازلة للحرارة في داخل حيز التجميد.

5. وجفف الماء السابق ذوبانه بفوطاة أو قطعة إسفنجية.

6. جفف حيز التجميد جيدا.

7. أعد تشغيل الجهاز.

8. ضع المواد الغذائية المجمدة فيه.

## قم باتباع الخطوات التالية:

1. يجب إبطال عمل الجهاز قبل الشروع في تنظيفه.

2. يجب فصل الكهرباء عن الجهاز، بسحب القابض من المقبس أو إبطال عمل المنصهر.

3. يتم إخراج المواد الغذائية المجمدة وحفظها بمكان بارد ووضع ألواح التجميد عليها.

4. ثم قم بتنظيف الجهاز باستخدام ماء دافئ مخلوط بقليل من مادة غسيل الأطباق. ويجب مراعاة عدم دخول ماء التنظيف إلى داخل واجهة المراقبة.

5. يجب تنظيف حشية الباب عن طريق مسحها بالماء النظيف دون خلطه بأية مواد تنظيف وجفّفها بعد ذلك جيدا بفوطاة جافة.

6. يجب مراعاة عدم تسرب ماء الغسيل من خلال ثقب التصريف إلى وعاء التبخير.

7. بعد الانتهاء من التنظيف قم بتوصيل الجهاز بالتيار الكهربائي وأعد تشغيله.

8. يتم إعادة وضع المواد الغذائية المجمدة في الجهاز.

## التجهيزات

لغرض التنظيف فإن كافة الأجزاء القابلة للتشكيل المتنوع الخاصة بالجهاز يمكن أن يتم إخراجها من الجهاز.

## إخراج الرفوف الزجاجية

## الصورة 4

يتم رفع الرفوف قليلا لأعلى، ثم يتم سحبها للأمام، ثم يتم إمالتها إلى أسفل، ثم يتم إدارتها وإخراجها جانبا.

## مجرى تصريف الماء

يجب وبصورة منتظمة تنظيف مجرى تصريف الماء وثقب التصريف باستخدام عصية أو ما شابه ذلك لكي يتمكن الماء الناتج عن ذوبان الطبقة الثلجية من الانسياب.

## الصورة 6

## إخراج الرفوف الموجودة في الباب

الرفوف يتم رفعها قليلا لأعلى ويتم إخراجها. الصورة 8

## تنظيف الجهاز

## ⚠ انتبه

- ممنوع تماما استخدام مواد التنظيف التي تحتوي على رمال أو كلوريد أو أحماض أو مواد إذابة كيميائية.
- ممنوع تماما استخدام قطع الاسفنج الخشنة أو قطع التنظيف المعدنية حيث أنها تلحق أضرار وخدوش بالأسطح المعدنية.
- ممنوع تماما تنظيف الأرفف والأدراج بعسالة الأواني الكهربائية حيث أن ذلك يؤدي إلى تعرضها للآحناء.

## إذابة الثلج

## الملصق «OK»

(لا يسري على كافة الطرازات)

باستخدام مراقبة درجة الحرارة «OK» يمكن الكشف عن درجات الحرارة التي تقل عن +4 درجة مئوية. في حالة ما إذا كان الملصق لا يظهر «OK» يتم ضبط درجة الحرارة بصورة تدريجية على مستوى أدنى من البرودة.

### تنبيه هام

عند البدء في تشغيل الجهاز فإن الوصول إلى درجة الحرارة المطلوبة يمكن أن يستغرق فترة قد يصل قدرها حتى 12 ساعة.



درجة الحرارة مضبوطة تماماً

## حيز التبريد يتخلص ذاتياً من الطبقات

### الثلجية التي تتكون داخله

أثناء دوران ماكينة التبريد تتكون على الجدار الداخلي لحيز التبريد قطرات من الماء أو طبقة ثلجية هشة ناتجة عن عملية التكثف وهو أمر يتعلق بالصفة الوظيفية للجهاز ولا محال منه. ولا توجد هناك ثمة ضرورة لإزالة هذه الطبقة الثلجية بالكحت أو لتجفيف قطرات الماء حيث أن الجهاز يذيب هذه الطبقة ذاتياً والماء الناتج عنها ينساب في مجرى تسريب الماء، الصورة 6. ويتجه إلى ماكينة التبريد حيث يتبخر هناك، والماء الناتج عنها ينساب في مجرى لسريان الماء.

### تنبيه هام

يجب الانتباه لعدم انسداد ثقب ومجرى تجميع وسريان الماء لكي يتمكن الماء الناتج عن ذوبان الطبقة الثلجية من الانسياب.

## قسم التجميد

لا يتخلص حيز التجميد ذاتياً من الطبقات الثلجية التي تتكون داخله حتى لا تبدأ المواد الغذائية المجمدة بداخله إلى التعرض للذوبان السطحي. وتؤدي أي طبقة ثلجية تتكون بداخله سواء أكانت هشة أم صلبة إلى إعاقة وصول البرودة إلى المواد الغذائية المجمدة كما تتسبب في ارتفاع استهلاك الكهرباء. يجب وبصورة منتظمة إزالة الطبقة الثلجية من حيز التجميد.

### ⚠ تنبيه هام

ويجب الاجتناب تماماً عن إزالة أي طبقة ثلجية متكونة باستخدام سكين أو أية آلة حادة لتفادي إحداث ثقب بأنبوب الهواء البارد الخاص بحيز التجميد. من الممكن أن تشتعل الرذاذ المتناثرة من مادة التبريد أو تتسبب في إحداث إصابات بالعين.

## إبطال عمل الجهاز وعدم استخدامه لفترة طويلة

### إبطال عمل الجهاز

مفتاح تنظيم درجة الحرارة، الصورة 2/A. يتم إدارته وضبطه على وضع «0». ماكينة التبريد والإضاءة تتوقف عن العمل.

### عدم استخدام الجهاز لفترة طويلة

يجب إجراء ما يلي في حالة عدم استخدام الجهاز لفترة طويلة:

1. يتم إبطال عمل الجهاز.
2. فصل التيار الكهربائي بسحب القابس من المقبس.
3. تنظيف الثلاجة.
4. يترك باب الثلاجة مفتوحاً.

## إذابة جليد الأطعمة المجمدة

يمكن اختيار أحد الأساليب التالية حسب نوع المواد المجمدة والغرض من الاستخدام:

تركها لتذوب

- بدرجة حرارة الغرفة.
- في الثلاجة العادية.
- في فرن الموقد الكهربائي. باستخدام مروحة الهواء الساخن أو بدونها
- في جهاز فرن المايكروويف.

تنبيه هام

لا يمكن إعادة تجميد الأطعمة بعد ذوبان جليدها مرة أخرى. يجب أولاً إعدادها من خلال (طهيها أو قليها) أو تحضيرها كوجبة جاهزة ثم تجميدها مرة أخرى. لا يُنصح بترك الأطعمة المخزنة حتى أقصى فترة تخزين.

## التجهيزات

(لا توجد في جميع الطرازات)

### الرفوف الزجاجية

الصورة 4

عند الحاجة إلى ذلك يمكن تغيير وضع الأرفف الخاصة بالحيز الداخلي للجهاز كما يلي: يتم رفع الرف قليلاً لأعلى. ثم يتم سحبه للأمام. ثم يتم إمالته إلى أسفل. ثم يتم إدارته وإخراجه جانبياً.

### رف الزجاجات

الصورة 5

على رف الزجاجات يمكن حفظ زجاجات بصورة آمنة. الماسك الخاص بالرف قابل للتشكيل المتنوع.

## تغليف المواد الغذائية المطلوب تجميدها

يجب تعبئة المواد الغذائية بحيث لا يتسرب إليها الهواء وذلك حتى لا تفقد طعمها أو تتعرض للجفاف.

1. قم بتغليف المواد الغذائية.
2. قم بإفراغ الهواء من التغليف تماماً.
3. ثم اغلق العبوة بإحكام.
4. قم بتسجيل محتوى العبوة وتاريخ حفظها على الغلاف.

المواد المناسبة للتغليف هي:

أكياس ورقائق البلاستيك، الرقائق الخرطومية المصنوعة من البولي إيثيلين، رقائق الألومنيوم وعلب التجميد.

هذه المنتجات متوفرة لدى المتاجر المتخصصة.

المواد غير المناسبة للتغليف هي:

ورق الفرن، الورق الصامد للشحم، ورق السيلوفان، أكياس القمامة وأكياس المشتريات المستعملة.

المواد المناسبة لإحكام الغلق هي:

الحلقات المطاطية، المشابك البلاستيكية، خيوط الربط، شرائط اللصق التي تتحمل البرودة أو ما شابه ذلك. يمكن لحام فتحات الأكياس والرقائق الخرطومية بواسطة جهاز لحام الأكياس البلاستيكية.

### مدة الصلاحية للتخزين

تحدد فترة التخزين المسموح بها طبقاً لنوع المواد الغذائية.

في درجة حرارة متوسطة يمكنك تخزين 18-°م:

- الأسماك والنفائق والأطعمة الجاهزة والأطعمة المحبوزة لفترة تصل إلى 6 أشهر
- والجبن ولحوم الطيور واللحوم لفترة تصل إلى 8 أشهر
- والخضروات والفاكهة لفترة تصل إلى 12 أشهر

## تجميد وحفظ المواد الغذائية

في حالة القيام بتجميد المواد الغذائية بنفسك. فيجب عدم استخدام سوى المواد الغذائية الطازجة الخالية من العيوب فقط.

من أجل المحافظة بأكبر قدر ممكن على القيمة الغذائية والنكهة واللون يجب تبيض الخضروات بماء مغلي قبل تجميدها. فيما يتعلق بالباذنجان والفلفل الحلو (الرومي) والكوسة (القرع) وجذور الهليون فإن التبييض لا يكون لازماً.

في المكتبات توجد كتب تدور حول التجميد، وهذه الكتب تحتوي أيضاً على وصف تفصيلي لعملية التبييض بالماء المغلي.

### تنبيه هام

ويجب في ذلك مراعاة عدم تلاصق المواد الغذائية الطازجة المطلوب تجميدها مع المواد الغذائية المجمدة بالفعل.

- المواد الغذائية المناسبة للتجميد هي:
  - المواد الغذائية الجبوزة، الأسماك وفواكه البحر، اللحوم، ولحوم الحيوانات البرية، لحوم الطيور، الخضروات، الفواكه، الأعشاب، البيض بدون قشرة، منتجات الألبان مثل الجبن والزبد والقشدة، الأطعمة الجاهزة وبقايا الأطعمة مثل أنواع الحساء، أنواع اليخنة، اللحوم والأسماك التي تم إنضاجها، أطعمة البطاطا (البطاطاس)، وأطعمة الصواني المنضجة في الفرن والأطعمة الخلوة.
  - المواد الغذائية الغير مناسبة للتجميد هي:
    - أنواع الخضروات التي يتم في المعتاد تناولها نيئة بدون إنضاج مثل خضروات السلطانات الورقية أو الفجل، البيض في قشره، العنب، ثمار التفاح والكمثرى (الإجاص) والدرّاق (الخوخ) الكاملة، البيض المسلوق، الزبادي (الروب)، اللبن الرائب، القشدة الرائب، والكرمة الرائبه وصلصة المايونيز.

### تنبيه هام

قد يؤدي وضع كمية كبيرة من المواد الغذائية الطازجة في حيز التجميد. إلى زيادة فترة عمل ماكينة التبريد تلقائياً حتى يتم تجمد المواد الغذائية وبالتالي يؤدي ذلك إلى انخفاض شديد في درجة الحرارة بحيز التبريد. حينئذ يجب ضبط زر ضبط درجة الحرارة على درجة أقل.

## السعة القصوى للتجميد

تجد على لائحة الطراز السعة القصوى المتاحة خلال 24 ساعة طبقاً لطراز الجهاز (أنظر البند مراكز خدمة العملاء).

## تجميد وحفظ المواد الغذائية

### يجب مراعاة ما يلي عند شراء الأطعمة المجمدة

- تأكد من عدم وجود أية شقوق أو أضرار بأغلفة الأطعمة.
- تأكد أن تاريخ الصلاحية لم ينتهي بعد.
- يجب أن يظهر في بيان درجة الحرارة بتلاجة المتجر 18-°م أو أبرد. في حالة عدم توافر هذا الشرط فإن هذا يؤدي إلى قصر مدة الصلاحية.
- ينبغي وضع الأطعمة المجمدة في حقيبة عازلة للحرارة ونقل الأطعمة بسرعة إلى المنزل وحفظها فوراً في الحيز الخاص بالتجميد.

## رجاء الانتباه إلى المناطق الأكثر برودة

### بحيز التبريد

تختلف درجات البرودة داخل حيز التبريد نتيجة لعملية دوران الهواء.

- المناطق الأكثر برودة وتوجد المنطقة الأكثر برودة في المنطقة السفلية الواقعة بين السهمين المحفورين على جانبي الجهاز وكذلك منطقة الرف الزجاجي الموجود أسفلهما. صورة 3

### تنبيه هام

رجاء حفظ المواد سريعة الفساد (مثل الأسماك والسجق واللحوم) في المناطق الأكثر برودة.

- المناطق الأقل برودة توجد المنطقة الأقل برودة في أعلى باب الثلاجة.

### تنبيه هام

رجاء حفظ الجبن والزبد في المناطق الأقل برودة. حيث يحتفظ الجبن بنكهته ويظل الزبد لين و سهل الدهن.

## السعة القصوى المتاحة للتبريد

قد ترتفع درجة الحرارة داخل حيز التبريد أكثر مما ينبغي بصفة مؤقتة عند وضع كمية كبيرة من المواد الغذائية الطازجة أو المشروبات بالجهاز.

حينئذ يجب ضبط زر ضبط درجة الحرارة على أعلى لمدة 7 ساعات تقريبا.

### حيز التجميد

درجة الحرارة في حيز التجميد تكون متوقفة على درجة حرارة حيز التبريد.

## الحجم المتاح للاستخدام

تتواجد الإيضاحات المتعلقة بالحجم الكلي المتاح للاستخدام على لوحة المواصفات الفنية الملتصقة على الجهاز.

## حيز التبريد

حيز التبريد هو المكان المثالي لحفظ الأطعمة الجاهزة. المواد الغذائية المجمدة، معلبات المواد الغذائية، الحليب المركز، أنواع الجبن الصلبة، الفواكه والخضروات الحساسة للبرودة وكذلك الثمار الاستوائية.

## انتبه عند حفظ المواد الغذائية

### إلى التالي:

قم بتغليف أو تغطية المواد الغذائية قبل إدخالها. حيث أن هذا يساعد على الحفاظ على نكهتها ولونها ونضارتها. وبالإضافة إلى ذلك فإن هذا يؤدي إلى تجنب انتقال الروائح إلى الأجزاء البلاستيكية [للجهاز] وحدوث تلون لها.

### تنبيه هام

يرجى منكم تجنب حدوث تلامس بين المواد الغذائية وبين الجدار الداخلي الخلفي. عند عدم الالتزام بذلك فإن دورة الهواء يتم التأثير عليها سلبيا.

المواد الغذائية أو مواد التغليف يمكن أن تلتصق من خلال التجمد على الجدار الداخلي الخلفي.

## حيز التجميد

### استخدام حيز التجميد

- إن حيز التجميد مجهز لحفظ المواد الغذائية المجمدة.
- ولإعداد الثلج.
- ولتجميد كميات قليلة من المواد الغذائية.

### تنبيه هام

رجاء الانتباه لإحكام غلق باب حيز التجميد بصفة دائمة. ترك باب الحيز مفتوحا يؤدي إلى ذوبان ثلج المواد المجمدة. كما يؤدي إلى تراكم الثلج بحيز التجميد. إضافة إلى ذلك يرتفع استهلاك الجهاز للطاقة الكهربائية.

باب حيز التجميد ينغلق مستقرا في وضعه الصحيح بصوت مسموع.

## تشغيل الجهاز

مفتاح تنظيم درجة الحرارة. الصورة A/2. يتم إدارته بحيث يصبح لم يعد مضبوطاً على وضع «0». الجهاز يبدأ في التبريد. عند فتح باب الجهاز يضيء مصباح الإضاءة الداخلية.

### تنبيهات لتشغيل الجهاز

درجة الحرارة في حيز التبريد ترتفع بشكل مؤقت

- في حالة تكرار فتح الباب.
- بسبب تخزين كمية كبيرة من المواد الغذائية
- بسبب ارتفاع درجة حرارة الوسط المحيط بالجهاز.

## تشغيل الجهاز

مفتاح تنظيم درجة الحرارة. الصورة A/2. يتم إدارته إلى وضع الضبط المرغوب فيه.

تبلغ درجة الحرارة بالجهاز حوالي +4 درجة مئوية عند ضبط الزر على درجة متوسطة. صورة 3

كلما أرتفع الرقم كلما زادت درجة البرودة بحيزي التبريد والتجميد.

ننصح بما يلي:

- المواد الغذائية الحساسة أو سريعة التلف يجب حفظها في درجة حرارة لا تزيد عن +4 درجة مئوية،
- الضبط على أحد الأرقام المنخفضة عند تخزين المواد الغذائية لفترة قصيرة المدى (التشغيل على مستوى موفر للطاقة).
- الضبط على أحد الأرقام المتوسطة عند تخزين المواد الغذائية لفترة طويلة المدى،
- الضبط على أحد الأرقام المرتفعة بصورة مؤقتة فقط في حالة تكرار فتح الباب أو في حالة تخزين كميات كبيرة من المواد الغذائية بحيز التبريد.

## تعرف على جهازك الجديد



افتح من فضلك الصفحة الأخيرة المطوية التي تتضمن الأشكال التوضيحية.

جهازك الطرازات يمكن أن تكون مختلفة من طراز إلى آخر.

إن دليل الاستخدام هذا مُعدّ للثيف من الأطرزة، وقد ينجم عن ذلك تفاوت بشأن الأشكال التوضيحية.

صورة 1

- 1 مفتاح تنظيم درجة الحرارة/الإضاءة
- 2 مفتاح الإضاءة
- 3 رف زجاجي في حيز التبريد
- 4 وعاء الخضراوات
- 5 رف الباب
- 6 خانة الزجاجات الكبيرة

A حيز التجميد

B حيز التبريد

العلامة «0» تصبح الآن غير مرئية. الإضاءة الداخلية الموجودة في الجهاز تضيء بإضاءة خافتة.

لغرض الاقتصاد في استهلاك الطاقة فإنه يجب ضبط زر درجة حرارة الوسط المحيط على وضع إيقاف التشغيل بمجرد أن تكون درجة حرارة الوسط المحيط بالجهاز قد أصبحت أعلى من +16 درجة مئوية.

## التهوية

تهوية ماكينة التبريد يتم فقط من خلال شبكة التهوية الموجودة بالقاعدة. لذلك لا يجب بأية حال من الأحوال تغطية شبكة التهوية. عدم إتاحة ذلك يدفع ماكينة التبريد على العمل بقدرة أكبر مما يؤدي بالتالي لزيادة استهلاك الكهرباء.

## يرجى مراعاة درجة حرارة الوسط المحيط والتهوية

### درجة حرارة الوسط المحيط

الجهاز مصمم ومعد للعمل في درجة تصنيف طقس محيط معينة. بالتوقف على درجة تصنيف الطقس المحيط يمكن تشغيل الجهاز في درجات حرارة الوسط المحيط المذكورة فيما يلي.

تصنيف الطقس يكون مذكوراً في لوحة بيانات الطراز.

الصورة 9

درجة حرارة الوسط	درجة تصنيف الطقس المحيط
SN	+10° م حتى 32° م
N	+16° م حتى 32° م
ST	+16° م حتى 38° م
T	+16° م حتى 43° م

### تنبيه

الجهاز يكون في حالة صلاحية تامة لأداء وظيفته عند تشغيله في داخل نطاق حدود درجات حرارة الوسط المحيط الخاصة بتصنيف الطقس المحيط النصوص عليها. في حالة تشغيل جهاز من درجة تصنيف الطقس المحيط SN في درجات حرارة وسط محيط باردة (منخفضة) عما ينبغي، فإنه يمكن الانطلاق بصورة قاطعة من عدم حدوث أي تلف أو ضرر بالجهاز حتى درجة حرارة قدرها +5 درجات مئوية.

### زر درجة حرارة الوسط المحيط

فيما يتعلق بالأجهزة ذات درجة تصنيف الطقس SN فإنه وفي حالة ما إذا انخفضت درجة حرارة الوسط المحيط بالجهاز إلى درجة أقل من 16 درجة مئوية. عندئذ فإن درجة الحرارة السائدة في حيز التجميد يمكن أن تصبح أدفاً ما ينبغي. في أسوأ الحالات فإن ذلك يمكن أن يؤدي إلى إذابة الجليد عن المواد الغذائية المجمدة. لمنع حدوث ذلك يجب ضبط زر درجة حرارة الوسط المحيط على وضع التشغيل. من خلال ذلك تزيد فترات عمل ماكينة التبريد. الجهاز يمكن الآن تشغيله في درجة حرارة وسط محيط تتراوح بين +10 درجة مئوية و +16 درجة مئوية.

لضبط زر درجة حرارة الوسط المحيط على وضع التشغيل يتم الضغط على الزر. الصورة 2/B

## توصيل الجهاز بالتيار الكهربائي

ينبغي بعد نصب الجهاز الانتظار لمدة ساعة على الأقل قبل تشغيل الجهاز لأول مرة. فمن الممكن أثناء النقل أن يحدث انتقال للزيت المتواجد بماكينة التبريد إلى شبكة التبريد. فمن الممكن أثناء النقل أن يحدث انتقال للزيت المتواجد بماكينة التبريد إلى شبكة التبريد.

يجب تنظيف الحيز الداخلي للجهاز قبل تشغيله لأول مرة (أنظر البند الخاص بالتنظيف).

يجب أن يكون من السهل الوصول إلى مصدر توصيل التيار الكهربائي (المقبس).

## توصيل الجهاز بالتيار الكهربائي

من اللازم أن يكون المقبس موجوداً بالقرب من الجهاز ويلزم أن يكون من الممكن الوصول إليه بسهولة حتى بعد نصب الجهاز.

الجهاز متوافق مع متطلبات مستوى الحماية I. يتم توصيل الجهاز بتيار كهربائي متردد 220-240 فولت/50 هرتز عبر مقبس جرى تركيبه على نحو مطابق للمواصفات ومجهز بسلك تأريض واقفي. ويجب أن يكون المقبس مؤمناً بواسطة منصهر تصل قدرته من 10 إلى 16 أمبير.

بالنسبة للأجهزة التي تستخدم في دول غير أوروبية، فيجب الرجوع إلى لوحة الطراز لمعرفة إذا ما كانت البيانات المذكورة بها والخاصة بجهد التيار ونوعه تتطابق مع القيم الخاصة بشبكة التيار الكهربائي الخاصة بك.

هذه البيانات توجد على لوحة بيانات الطراز. الصورة 9

3. يجب عدم إخراج الرفوف والحاويات من الجهاز، وذلك لأنها تشكل عوائق تجعل من الأكثر صعوبة على الأطفال أن يقوموا بالتسلق إلى داخل الجهاز!
4. يجب عدم ترك الأطفال ليلعبوا بالجهاز الذي انتهى عمره التشغيلي. خطر حدوث اختناق!
- تحتوي أجهزة التبريد على مواد تبريد كما تحتوي على غازات في الأجزاء العازلة. يجب تصريف مواد التبريد والغازات بطريقة تقنية صحيحة. لذلك يجب الحرص على عدم الإضرار بالمواسير الخاصة بمسار دورة مادة التبريد وذلك حتى يتم تصريفها بالطريقة التقنية الصحيحة.

## متضمنات التوريد

- بعد فض مواد التغليف يجب فحص جميع الأجزاء للكشف عما قد يوجد بها من تلف أو ضرر.
- في حالة وجود أي عيب يرجى منكم الاتصال بالتاجر الذي اشتريتم الجهاز منه أو الاتصال بمركز خدمة العملاء التابع لنا.
- متضمنات التوريد تتكون من الأجزاء التالية:
- جهاز للتركيب في وحدة أثاث
  - التجهيزات (بالتوقف على الطراز)
  - تعليمات لاستخدام
  - تعليمات التركيب
  - دفتر خدمة العملاء
  - مرفق بيان الضمان
  - معلومات بشأن توفير الطاقة وأصوات التشغيل
  - كيس يتضمن لوازم التركيب

## إرشادات التخلص من الفضلات

### التخلص من تغليف الجهاز الجديد

يعمل التغليف على حماية جهازك الجديد من التعرض لأي تلف في الطريق حتى يصل إليك. جميع المواد المستخدمة في التغليف غير ضارة بالبيئة ويمكن إعادة استخدامها. لذلك نرجو منك المساهمة معنا: تخلص من مواد التغليف بطريقة تحافظ على البيئة.

رجاء الاستفسار عن أحدث طرق التخلص من الفضلات لدى المتجر المتخصص الخاص بمنطقتك أو لدى إدارة البلدية المختصة بك.

### التخلص من الجهاز القديم

الأجهزة القديمة ليست مجرد نفايات عديمة القيمة! فعن طريق التخلص من النفايات بأسلوب يحافظ على البيئة يمكن الحصول مرة أخرى على مواد أولية ذات قيمة عالية.

هذا الجهاز مصنف طبقاً للتعليمات الأوروبية 2002/96/EG المتعلقة بالأجهزة الكهربائية والإلكترونية المستهلكة

(waste electrical and electronic equipment – WEEE)

وتحدد هذه التعليمات الإطار المتعلق باسترجاع الأجهزة المستهلكة والاستفادة من خاماتها في كل أنحاء الاتحاد الأوروبي. يمكن الحصول على المعلومات المتعلقة بأحدث الأساليب الجارية للتخلص من الأجهزة المستهلكة عند أحد المحلات التجارية المتخصصة أو لدى إدارة المدينة.

### تحذير

جعل الجهاز القديم غير صالح للاستخدام:

1. فصل التيار الكهربائي بسحب القابض من المقبس
2. قطع سلك التوصيل الكهربائي واستبعاده مع القابض.

## في حالة وجود أطفال بالمنزل

- يجب عدم ترك مواد التغليف للأطفال حيث ذلك يعرضهم لخطر الاختناق بواسطة علب الورق المقوى ورفائق البلاستيك.
- الجهاز ليس لعبة بلهى بها الأطفال.
- بالنسبة للأجهزة ذات الأقفال يجب حفظ المفاتيح بعيداً عن متناول الأطفال.

## قواعد عامة

- هذا الجهاز مخصص فقط
  - لتبريد وتجميد المواد الغذائية،
  - لتحضير الثلج.
- هذا الجهاز معد ومخصص للاستخدام في الأغراض المنزلية في المساكن الخاصة (غير التجارية أو الاحترافية) وفي نطاق البيئة المنزلية فقط.
- هذا الجهاز مخصص للاستخدام المنزلي.
- تم اختبار الحجب الكهربائي بالجهاز طبقاً للقواعد السارية بالمجموعة الأوروبية (2004/108/EC).
- قد تم فحص مسار دورة مادة التبريد للتأكد من عدم حدوث تسرب.
- تم تصنيع هذا الجهاز طبقاً لقواعد الأمان السارية لتصنيع الأجهزة الكهربائية (EN 60335-2-24).

- لا يجب إساءة استخدام الحوامل أو الأجزاء القابلة للسحب الخارج أو الأبواب أو ما إلى ذلك، فلا يصح الوقوف أو الاستناد عليها.
- يجب عند القيام بإذابة الجليد أو بتنظيف الجهاز فصل الكهرباء عن الجهاز، بسحب القابس من المقبس أو إبطال عمل المنصهر. ويراعى سحب القابس نفسه وعدم جذب السلك.
- لا يجب تخزين سوائل تحتوي على نسبة عالية من الكحول في الثلاجة إلا إذا كانت في عبوات مغلقة بإحكام وفي الوضع القائم.
- لا يجب تلوين الأجزاء المصنوعة من البلاستيك أو حواشي إحكام غلق الباب بالزيت أو بالدهون، لأن ذلك يساعد على تكوين مسام في الأجزاء البلاستيكية وحواشي الباب.
- يجب عدم تغطية أو وضع أشياء على فتحات التهوية أو فتحات إخراج الهواء.
- يجب عدم استخدام هذا الجهاز من قبل الأشخاص (بما يشمل الأطفال) ذوي القدرات البدنية أو الحسية أو الذهنية المحدودة أو نقص في المعارف والمعلومات إلا عندما يكون جاري الإشراف عليهم من قبل شخص مختص بسلامتهم وأمانهم أو بعد أن يكون قد تم من قبل هذا الشخص إعطائهم إرشادات تفصيلية بشأن كيفية استخدام الجهاز.
- ممنوع تماماً تجميد السوائل الموجودة داخل زجاجات أو علب معدنية (المشروبات الغازية بصفة خاصة). خطر انفجار الزجاجات والعلب.
- لا يجب أخذ المواد الغذائية المتجمدة من حيز التجميد ووضعها في الفم مباشرة.
- خطر التعرض للحرق نتيجة لدرجة الحرارة المنخفضة جداً!
- يجب تجنب إمساك المواد المتجمدة أو الآيس كريم أو وصلات التبريد بالأيدي فترة طويلة.
- خطر التعرض للحرق نتيجة لدرجة الحرارة المنخفضة جداً!

## إرشادات وتحذيرات خاصة بالأمان

في حالة حدوث تلف بسلك التوصيل بالتيار الكهربائي، عندئذ يلزم أن يتم استبداله من قبل منتج الجهاز أو أحد مراكز الخدمة التابعة له أو من قبل شخص حائز على تأهيل تقني مشابه. أعمال التركيب أو الإصلاح التي يتم إجرائها بطريقة تخالف الأصول يمكن أن تتسبب في تعريض مستخدم الجهاز لمخاطر جسيمة.

يجب عدم إجراء أية أعمال إصلاح في الجهاز إلا من قبل منتج الجهاز أو أحد مراكز الخدمة التابعة له أو من قبل شخص حائز على تأهيل تقني مشابه.

لا يسمح باستخدام أية قطع غيار غير قطع الغيار الأصلية المصنوعة من قبل منتج الجهاز. فقط عند استخدام قطع الغيار الأصلية هذه فإن منتج الجهاز يكفل كون قطع الغيار هذه تفي بمتطلبات السلامة والأمان.

لا يسمح باستخدام أية توصيلة إطالة لسلك التوصيل بالتيار الكهربائي إلا تلك التي يتم الحصول عليها لدى مركز خدمة العملاء.

### يجب مراعاة ما يلي عند الاستخدام

- ممنوع تماماً استخدام أية أجهزة كهربائية في داخل الثلاجة (مثل أجهزة التسخين أو التدفئة أو أجهزة إعداد الثلج الكهربائي وما إلى ذلك).  
خطر الانفجار!
- ممنوع تماماً استخدام جهاز تنظيف بالبخار من أجل إذابة الجليد بالثلاجة أو تنظيفها! فمن الممكن أن يصل البخار إلى بعض الأجزاء الكهربائية ويسبب بها ماس كهربائي أو يتسبب في إصابة أحد الأشخاص بالصعق الكهربائي.
- ممنوع تماماً حك طبقات الجليد المتراكمة أو محاولة نزع المواد الغذائية المجمدة الملتصقة بالجهاز باستخدام سكين أو أية آلة حادة حيث قد يؤدي ذلك إلى إصابة مواسير مسار دورة التبريد بأضرار. من الممكن أن تتسبب الرذاذ المتناثر من مادة التبريد في إحداث إصابات بالعين كما أنه من الممكن أن يشتعل.
- لا يجب تخزين أية منتجات تحتوي على غازات قابلة للاشتعال (مثل عبوات الرش) في الثلاجة أو أية مواد قابلة للانفجار.  
خطر الانفجار!

### قبل أن تبدأ في تشغيل الجهاز لأول مرة

يجب قراءة تعليمات الاستخدام وتعليمات التركيب كاملة وبعناية واهتمام!

فهذه التعليمات تحتوي على معلومات هامة خاصة بنصب الجهاز وطريقة استخدامه وصيانته

لذا نرجو بالاحتفاظ بتعليمات الاستخدام وتعليمات

التركيب وإعطاء تلك التعليمات لمن يؤول له الجهاز فيما بعد.

### إرشادات أمان تقنية

يحتوي الجهاز على كمية قليلة من مادة التبريد R600a وهي لا تضر البيئة ولكنها قابلة للاشتعال. نرجو الانتباه إلى عدم إصابة مواسير مسار دورة مادة التبريد بأية أضرار أثناء نقل الجهاز أو تركيبه. من الممكن أن تتسبب الرذاذ المتناثر من مادة التبريد في إحداث إصابات بالعين كما أنه من الممكن أن يشتعل.

في حالة إصابة الجهاز بأضرار يجب:

- ألا تكون أية نيران مكشوفة أو مصادر لإشعال النار قريبة من المكان.
- فصل التيار الكهربائي بسحب القابض من المقبس.
- افصل الجهاز عن التيار الكهربائي بسحب القابض من المقبس.
- إخبار مركز الخدمة بالحادث.

كلما زادت كمية مادة التبريد في أي جهاز، كلما كان من الضروري أن يتسع حجم المكان الذي يتواجد فيه هذا الجهاز. من الممكن في حالة الغرف الصغيرة أكثر ما ينبغي أن يتكون خليط من الغاز والهواء قابل للاشتعال عند حدوث تسرب لمادة التبريد.

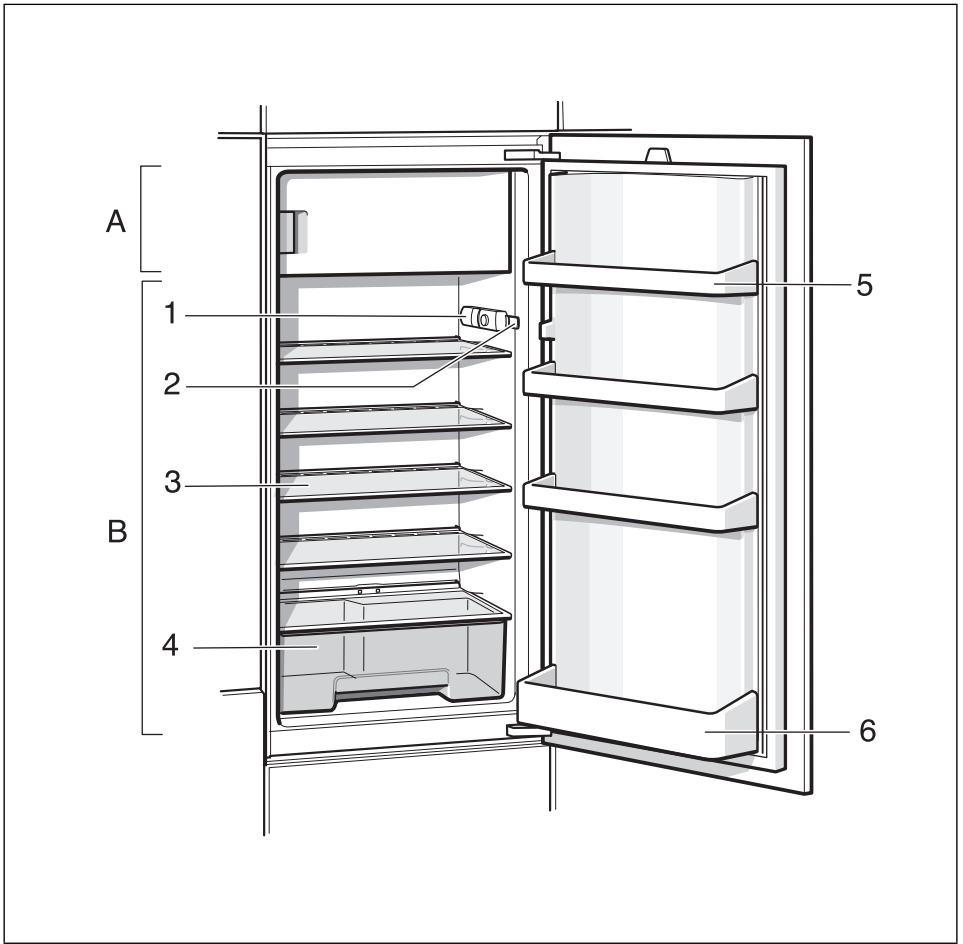
يجب أن يكون هناك تناسب بين حجم الحجره وكمية مادة التبريد بحيث يكون متاحاً لكل 8 غرام من مادة التبريد حيز لا يقل عن متر مكعب واحد. كمية مادة التبريد الموجودة في الجهاز الخاص بكم مدونة على لوحة الطراز المثبتة بالحيز الداخلي للجهاز.

## ar فهرس المحتويات

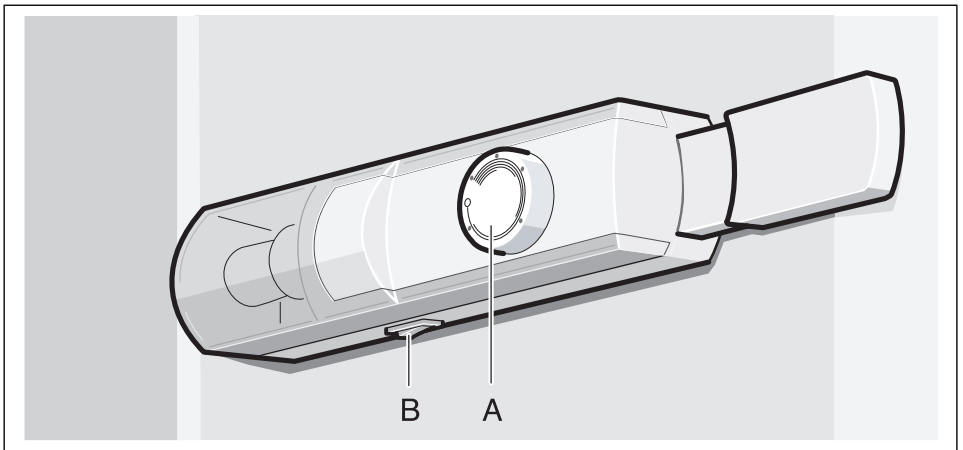
9	جميد وحفظ المواد الغذائية	3	إرشادات وخذيرات خاصة بالأمان
10	إذابة جليد الأطعمة المجمدة	5	إرشادات التخلص من الفضلات
10	التجهيزات	5	متضمنات التوريد
11	الملصق «OK»	6	يرجى مراعاة درجة حرارة الوسط المحيط والتهوية
	إبطال عمل الجهاز وعدم استخدامه	6	توصيل الجهاز بالتيار الكهربائي
11	لفترة طويلة	7	تعرف على جهازك الجديد
11	إذابة الثلج	7	تشغيل الجهاز
12	تنظيف الجهاز	7	تشغيل الجهاز
13	توفير الطاقة الكهربائية	8	الحجم المتاح للاستخدام
13	الأصوات الصادرة أثناء عمل التلاجة	8	حيز التبريد
14	إزالة الأعطال البسيطة بنفسك	8	حيز التجميد
15	مراكز خدمة العملاء	9	السعة القصوى للتجميد
		9	جميد وحفظ المواد الغذائية

## fa فهرست مطالب

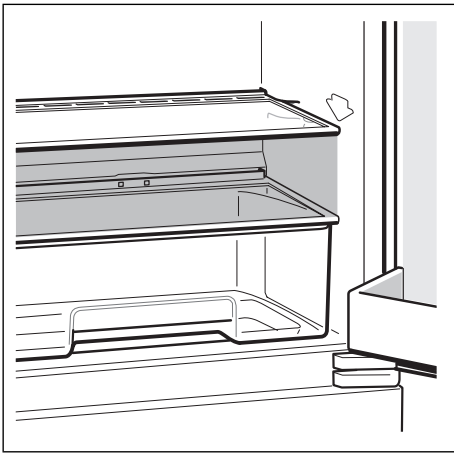
22	فريز كردن مواد خوراكي تازه	16	دستورالعمل های ایمنی و هشدارها
23	يخزدايي مواد منجمد	18	چگونگی دفع مواد زائد
23	تجهيزات	18	محتويات بسته كالا
24	برچسب «OK»	19	به دمای محیط و تهویه آنتوجه كنيد
	خاموش كردن و عدم استفاده از دستگاه برای	19	چگونگی اتصال دستگاه
24	مدت طولانی	20	آشنایی با دستگاه
24	يخزدائی	20	روشن كردن دستگاه
25	تميز نمودن دستگاه	20	تنظيم درجه حرارت
26	صرفه جویی در مصرف انرژی	21	حجم مفيد
26	صداهاى ناشی از كارکرد دستگاه	21	قسمت يخچال
27	مشكلات كوچكى كه می توان آنها را برطرف نمود	21	فضای فريز
28	سرويس دهی به مشتريان	22	حداكثر گنجایش فريز
		22	فريز كردن و انبار كردن مواد غذائی



**1**



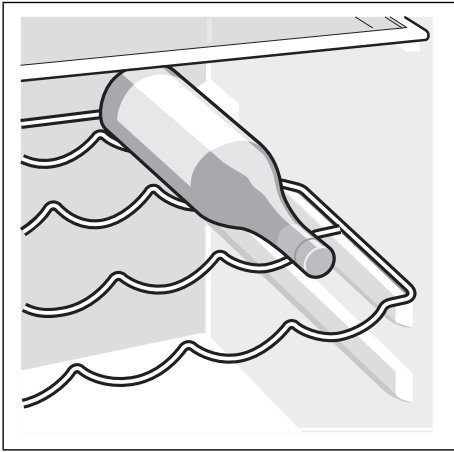
**2**



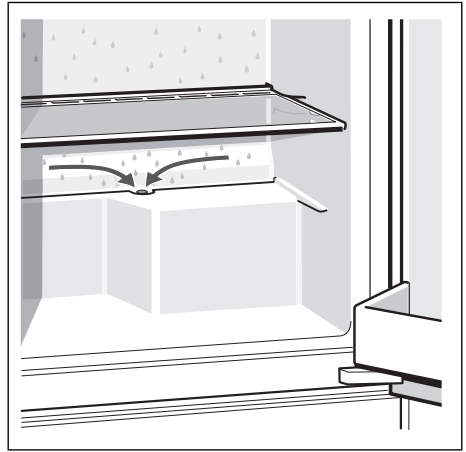
3



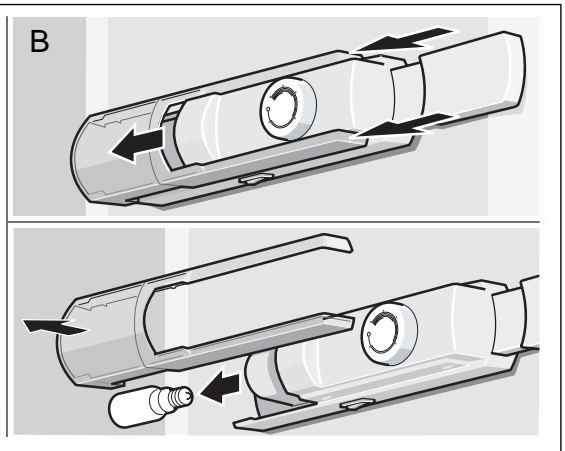
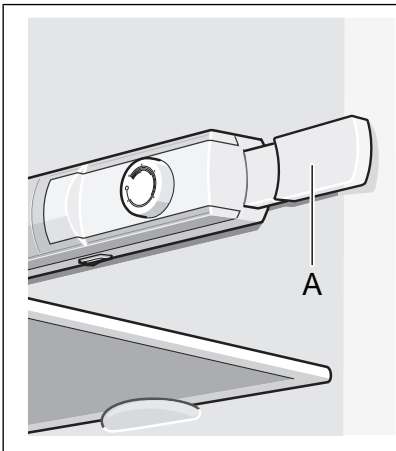
4



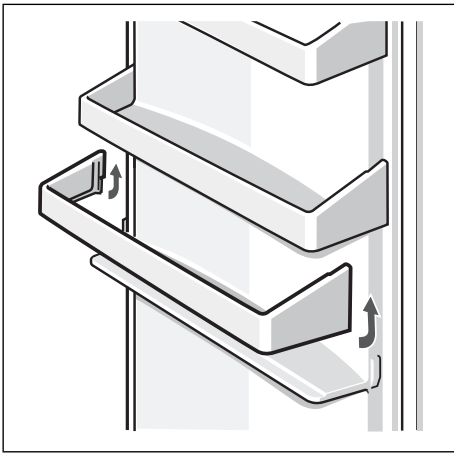
5



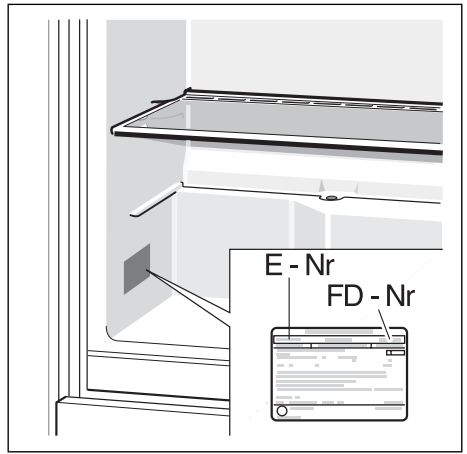
6



7



8



9

**Robert Bosch Hausgeräte GmbH**

Carl-Wery-Straße 34

81739 München, GERMANY

**[www.bosch-home.com](http://www.bosch-home.com)**

**9000649081 (9409)**  
en, fr, ar, fa