



**BOSCH**

Invented for life



**DISHWASHER USE & CARE MANUAL**  
**GUIDE D'ENTRETIEN DU LAVE-VAISSELLE**  
**MANUAL DE USO Y CUIDADO PARA LAVADORA DE PLATOS**



Congratulations and thank you from Bosch!

Thank you for selecting a Bosch dishwasher. You have joined the many consumers who demand quiet and superior performance from their dishwashers.

This manual was written with your safety and convenience in mind, and the information contained herein is very important. We highly recommend that you read this manual before using your dishwasher for the first time.

To learn more about your dishwasher and available accessories, as well as many other top quality Bosch appliances, visit our web site at:

*www.bosch-home.com/us (USA)*

*or*

*www.bosch-appliances.ca (Canada)*

If you have any questions or comments, please contact us at: 1-800-944-2904 or write us at:

*BSH Home Appliances, Corp.  
5551 McFadden Avenue  
Huntington Beach, CA 92649*

## **Table of Contents**

<b>Important Safety Instructions.....</b>	<b>2-3</b>
<b>Dishwasher Components.....</b>	<b>4</b>
<b>Dishwasher Features and Materials.....</b>	<b>5</b>
<b>Loading the Dishwasher.....</b>	<b>6</b>
<b>Loading the Silverware Basket.....</b>	<b>7</b>
<b>Rack Accessories.....</b>	<b>8</b>
<b>Adding Detergent and Rinse Aid.....</b>	<b>9-10</b>
<b>Dishwasher Cycles and Options.....</b>	<b>11</b>
<b>Wash Cycle Information.....</b>	<b>12</b>
<b>Operating the Dishwasher.....</b>	<b>12-13</b>
<b>Care and Maintenance.....</b>	<b>14-15</b>
<b>Self Help.....</b>	<b>16-17</b>
<b>Customer Service.....</b>	<b>18</b>
<b>Warranty Information.....</b>	<b>19</b>

# IMPORTANT SAFETY INSTRUCTIONS: Please READ and SAVE this information

## WARNING

Misuse of the dishwasher can result in serious injury or death. Do not use the dishwasher in any way not covered in this manual or for any purpose other than those explained in the following pages.



Severe product damage and/or injury could result from the use of unqualified service technicians or non-original replacement parts. All repairs must be performed by a qualified service technician using only original equipment factory replacement parts.



Electrical shock or fire could result if the electrical supply for the dishwasher covered in this manual is incorrectly installed or if the dishwasher has been improperly grounded. Do not use the dishwasher covered in this manual unless you are certain the electrical supply has been correctly installed or the dishwasher has been properly grounded.



Never use harsh chemicals to clean your dishwasher. Some chloride-containing products can damage your dishwasher and may present health hazards!

## NOTICE

Never use steam cleaning products to clean your dishwasher. The manufacturer will not be liable for the possible damages or consequences.



It is highly recommended for the end user to become familiar with the procedure to shut off the incoming water supply and the procedure to shut off the incoming power supply. See the Installation Instructions or contact your installer for more information.



## **WARNING: To reduce the risk of fire, electrical shock, or serious injury, observe the following:**

- 1** This dishwasher is provided with Installation Instructions and this Use and Care Manual. Read and understand all instructions before using the dishwasher.
- 2** This appliance must be grounded to a metal, permanent wiring system, or an equipment grounding conductor must be run with the circuit conductors and connected to the equipment grounding terminal or lead on the dishwasher. See the Installation Instructions included with this dishwasher for more information on electrical requirements.
- 3** Use this dishwasher only for its intended function, which is the washing of household dishware and kitchenware.
- 4** Use only detergents or rinsing agents recommended for use in a dishwasher, and keep them out of the reach of children.
- 5** When loading items to be washed:
  - Locate sharp items so they are not likely to damage the door seal.
  - Load knives and other sharp utensils with their HANDLES UP to reduce the risk of cut-type injuries.
  - Do not wash plastic items unless they are marked “dishwasher safe” or the equivalent. For plastic items not so marked, check the manufacturer’s recommendations.
  - Do not operate your dishwasher unless all enclosure panels are in place.
  - Do not tamper with or override controls and interlocks.
- 6** Do not abuse, sit or stand on the door or dish racks of the dishwasher.
- 7** To reduce risk of injury, do not allow children to play in or on the dishwasher.
- 8** When children become old enough to operate the appliance, it is the legal responsibility of the parents/legal guardians to ensure the children are instructed in safe practices by qualified persons.
- 9** Under certain conditions, hydrogen gas may be produced in a hot water system that has not been used for two weeks or more. Hydrogen gas is explosive. Before using a dishwasher that is connected to a hot water system that has been unused for two weeks or longer, turn on all hot water faucets and let the water flow from each for several minutes. This will release any accumulated hydrogen gas. As the gas is explosive, do not smoke or use an open flame during this time.
- 10** Remove the dishwasher door to the washing compartment when removing an old dishwasher for service or discarding.
- 11** To avoid floor damage and possible mold growth, do not allow wet areas to remain around or under the dishwasher.
- 12** Protect your dishwasher from the elements. Protect against freezing to avoid possible damage to the fill valve. Damage caused by freezing is not covered by the warranty.
- 13** For a cord-connect appliance:
  - This appliance must be grounded. In the event of a malfunction or breakdown, grounding will reduce the risk of electric shock by providing a path of least resistance for electric current. This appliance is equipped with a cord having an equipment-grounding conductor and a grounding plug. The plug must be plugged into an appropriate outlet that is installed and grounded in accordance with all local codes and ordinances.
  - Improper connection of the equipment-grounding conductor can result in risk of electric shock. Check with a qualified electrician or service representative if you are in doubt whether the appliance is properly grounded. Do not modify the plug provided with the appliance, if it will not fit the outlet, have a proper outlet installed by a qualified electrician.

# Dishwasher Components

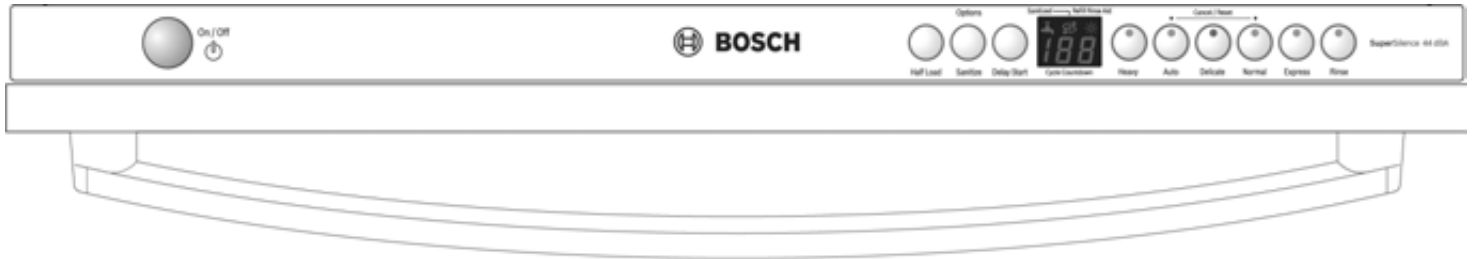
SHE68R5xUC\*



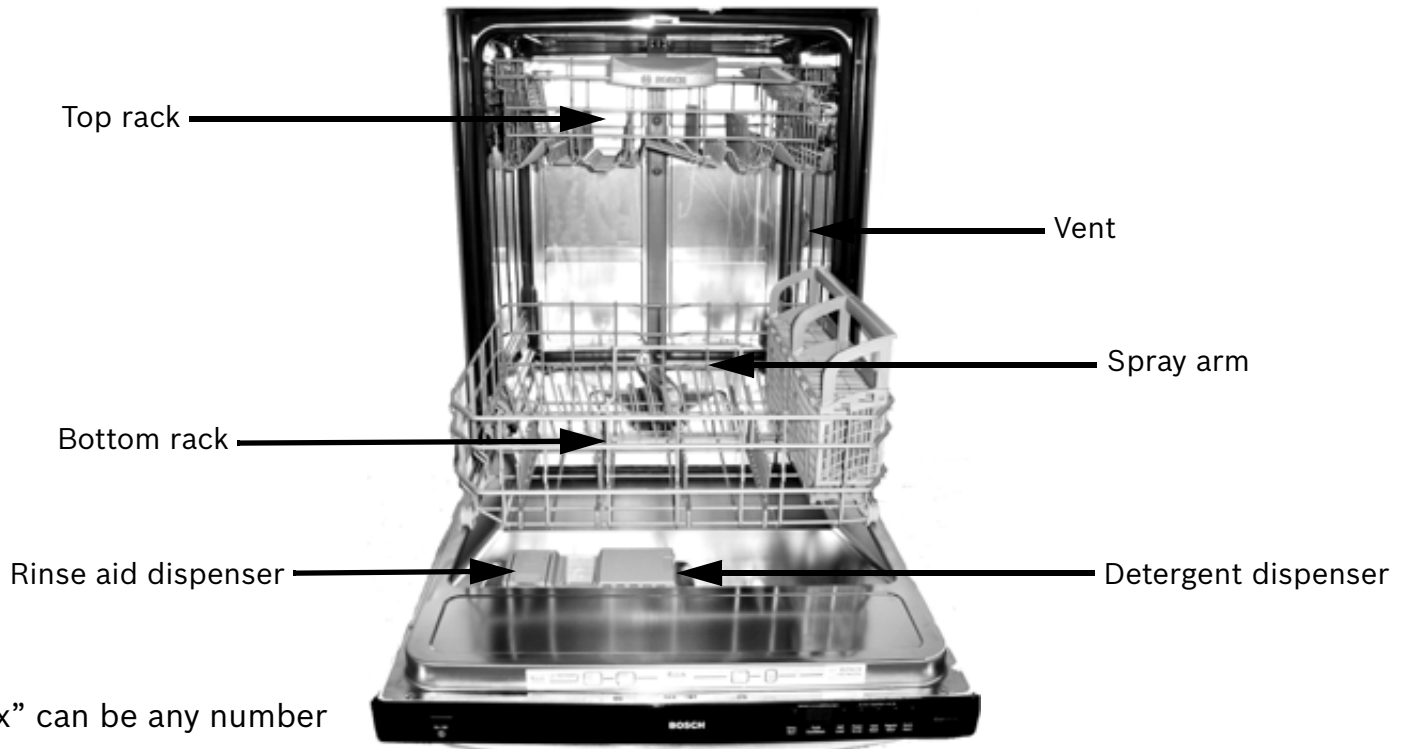
SHV68R53UC



SHX68R5xUC\*



Wash Cycles							Additional Features								
Model	Heavy	Auto	Delicate	Normal	Express	Rinse	Adjustable Top Rack	Bottle Holder	Delay Start	Extra Tall Item Sprinkler	Flip Tines	Half Load Option	InfoLight	Sanitize Option	Silverware Basket
SHE68R5xUC*	X	X	X	X	X	X	RackMatic	X	X	X	X	X	X	X	Flexible
SHV68R53UC	X	X	X	X	X	X	RackMatic	X	X	X	X	X	X	X	Flexible
SHX68R5xUC*	X	X	X	X	X	X	RackMatic	X	X	X	X	X	X	X	Flexible



\* "x" can be any number

# Dishwasher Features

**Delay Start:** Delay the start time of your dishwasher using the delay start option.

**EcoSense™ Wash Management System:** Checks water condition and decides if a second fresh water fill is necessary.

**Extra Dry Heat:** Raises the temperature of the rinse and increases the drying time resulting in improved drying.

**Flip Tines:** increase the rack flexibility to accommodate larger/taller items.

**Flow-Through Heater™:** heats water to a sanitizing temperature.

**Four Filter System:** uses multiple filters to ensure distribution of clean water and protect the main pump and the drain pump from foreign material.

**Half Load Option:** can reduce the energy and water consumption when washing small, lightly soiled loads that fill approximately half of the dishwasher's capacity.

**InfoLight™:** A red LED illuminates the floor to indicate that the dishwasher is running.

**Noise Reduction System:** uses Suspension Motor™, a two-pump motor system, and insulation to make this dishwasher one of the quietest in North America.

**Nylon Coated Racks:** eliminates cuts and nicks and have a five year warranty.

**OptiDry™:** This feature senses when the unit is low on rinse aid and automatically increases the drying time.

**RackMatic™ Adjustable Rack:** The top rack can be raised or lowered to accommodate tall items in the top and bottom racks.

**SaniDry™:** A high temperature final rinse, a low temperature stainless steel tub and the sheeting action of a rinse aid result in drying that is hygienic, energy efficient and economical.

**Sanitize:** An option to meet sanitized conditions. This option can only be used with certain wash cycles. See page 11.

**Stainless Steel TallTub:** A rust-free, hygienic interior surface with lifetime warranty.

## Dishware Materials

*Note: Before using your dishwasher for the first time, check the information in this section. Some items are not dishwasher safe and should be hand washed; others require special loading.*

### Recommended

**Aluminum:** Colored anodized aluminum may fade over time. Minerals in your water may cause the aluminum to darken or spot. This can usually be removed with a soap-filled steel wool pad.

**China, Crystal, Stoneware:** Some hand-painted utensils may discolor, fade or spot. Hand wash these utensils. Position fragile glassware so that it will not fall over or come in contact with other utensils during the wash cycle.

**Glass:** Milk glasses may discolor or become yellow.

**Non-stick Coatings:** Apply a light coating of vegetable oil to non-stick surfaces after drying.

**Plastics:** Make sure the plasticware is dishwasher safe.

**Stainless Steel, Sterling Silver and Silver Plates:** Load these so they do not come in contact with other metals.

### Not Recommended

**Acrylic:** crazing, small cracks throughout the acrylic, may occur.

**Adhesive-Joined Pieces:** Adhesives that join materials such as plastic, wood, bone, steel, copper, tin, etc. may loosen.

**Bone-Handled Utensils:** Handles may separate.

**Iron:** Iron will rust. Hand wash and dry immediately.

**Non-Dishware Items:** Your dishwasher is intended for use in cleaning ONLY standard household dishware and kitchenware.

**Pewter, Brass, Bronze:** These items will tarnish. Hand wash and dry immediately.

**Tin:** Tin will stain. Hand wash and dry immediately.

**Wood:** Wooden bowls, wooden utensils and utensils with wooden handles can crack, warp and lose their finish.

# Loading the Dishwasher

Do not pre-wash items with loosely attached soiling. Remove all food particles, bones, toothpicks and excessive grease. Items having burned-on, baked-on or starchy soils may require some pretreatment. Refer to the Dishware Materials section for more information about dishware suitability.

Load only dishwasher safe items into the dishwasher. Load dishes in the dishwasher racks so the insides of bowls, pots and pans are facing the spray arms. Avoid nesting and contact points between dishes. Separate items of dissimilar metals.

## Loading the Top Rack

Ensure items do not protrude through the bottom of the racks and block the spray arms.

*Note: When pushing the top rack into the dishwasher, push it until it stops against the back of the tub so the top rack spray arm connects to the water supply at the back of the tub. Do not push racks in using the door.*

## Loading the Bottom Rack

Place large items in the bottom rack. Load pots, pans and bowls upside down. Do not block vent with tall baking sheets. Load these items on the left side of the dishwasher.

## Unloading the Dishwasher

When unloading the dishwasher it is best to unload the bottom rack first. Next, unload the silverware basket followed by the top rack.

### NOTICE

To avoid dishwasher damage, do not load the dishwasher with paper products, plastic bags, packing materials or anything other than normal, dishwasher safe dishware and kitchenware.

#### Suggested Loading Pattern - Flexible Silverware Basket

Top Rack

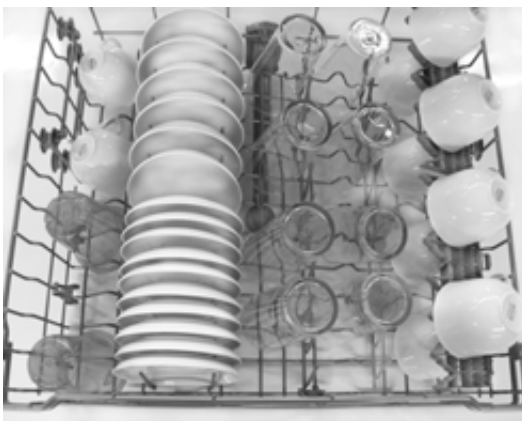


Bottom Rack



#### Additional Loading Pattern - Flexible Silverware Basket (10 place settings)

Top Rack



Bottom Rack





# Loading the Silverware Basket

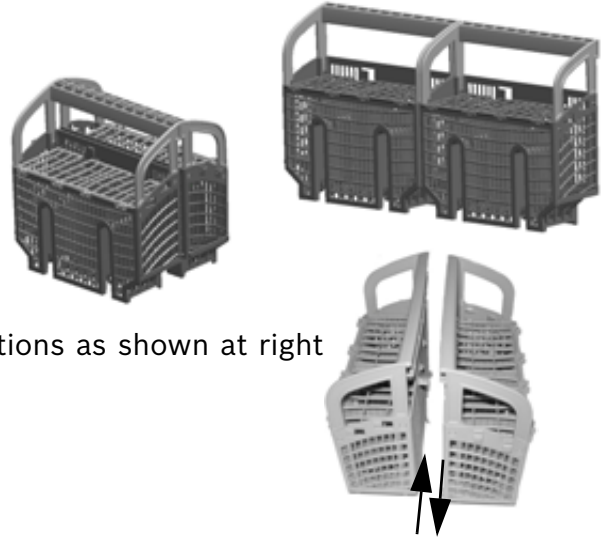
Place knives and sharp utensils with their HANDLES UP and forks and spoons with their handles down. If large or oddly-shaped items are loaded in the silverware basket, be sure they do not nest together.

## ⚠ WARNING

The sharp points and edges of knives and other sharp utensils can cause serious injury. Load knives and other sharp utensils with edges down. Do not allow children to handle or play near knives and sharp utensils.

### The Flexible Silverware Basket

This basket splits along its length, resulting in two halves that may be placed in a variety of positions in the lower rack, greatly increasing the lower rack's loading versatility. The basket snaps together either back to back or end to end as shown below.



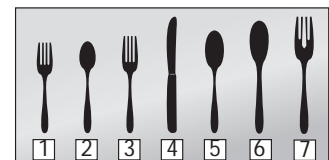
### To split the Flexible Silverware Basket

Grasp the basket and slide the two halves in opposite directions as shown at right and then pull the two halves apart.

### Flexible Basket Placement Options



### Loading pattern for Flexible Silverware Baskets



1	7	4	4	3	3	3	4	4	6	1	1	7	4	4	3	3	3	4	4	6	1
1	2	2	4	3		3	4	2	2	1	1	2	2	4	3		3	4	2	2	1
1	2	2	2	2	3	2	2	2	2	1	1	2	2	2	2	3	2	2	2	2	1

- 1- salad fork
- 2- teaspoon
- 3- dinner fork
- 4- knife
- 5 - tablespoon
- 6 - serving spoon
- 7 - serving fork

The basket lid may also be snapped to the handle in order to leave the basket open.

# Rack Accessories

## Bottle Holder

Allows you to securely hold tall bottles or vases in the bottom rack. This part is removable for maximum flexibility. Always check to make sure the upper spray arm does not contact any tall item places in the lower rack.

To remove the bottle holder, pull both sides of the bottle holder apart until it is disengaged from the rack. To move it to another position, remove as described above and hold the sides apart. Hook both ends of the holder to the rack in another location. See **Figure 1**.



Figure 1

## Extra Tall Item Sprinkler

If an item is too tall to be placed in the bottom rack even with the top rack in the raised position, remove the empty top rack by pulling it out of the dishwasher until it stops. Pull the front of the rack upward and outward until the rollers are completely free of the roller guides.

Set the top rack aside. Push the roller guides back into the dishwasher. Insert the Extra Tall Item Sprinkler into the top rack spray outlet and turn the sprinkler clockwise to lock into position. See **Figure 2**.

*Note: Keep the vent on the tub's right side clear by placing tall items such as plastic cutting boards and tall baking sheets on the bottom rack's left side or center.*

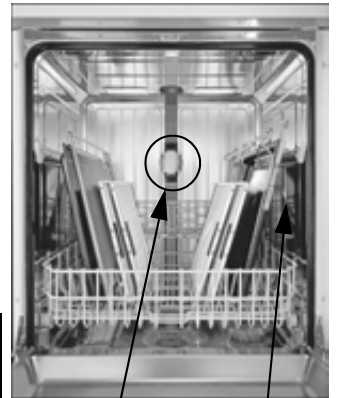


Figure 2

## NOTICE

To avoid dishwasher damage, do not reinstall the top rack without removing the Extra Tall Item Sprinkler.

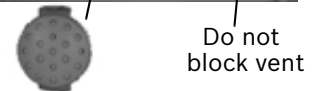


Figure 3

## Flip Tines

The racks consist of tines that can be folded down depending on what you may need to load in the rack. To fold down, grasp the folding tine and release from notch. Push folding tine downward to desired position as shown in **Figure 3**.



## RackMatic™ Adjustable Upper Rack

The top rack can be raised or lowered to accommodate large items in either rack. See **Figure 4**.

*Note: Before pushing the top rack into the dishwasher, ensure the rack height is the same on both sides. If the height is not the same on both sides, the dishwasher door will not shut and the top rack spray arm will not connect to the water inlet.*

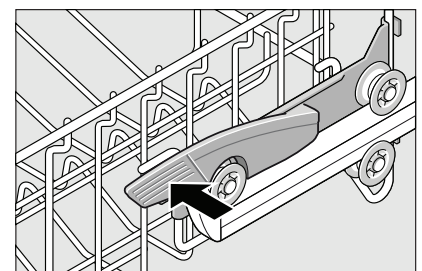
To lower the top rack:

- 1 Pull the top rack out of the dishwasher until it stops.
- 2 Press the RackMatic adjustable top rack handles inward and let the rack drop gently.

To raise the top rack:

- 1 Pull the top rack out of the dishwasher until it stops.
- 2 Grasp the top of the rack above the RackMatic handles and pull it upward until the handles lock the rack into position (you do not need to press the handles in order to raise the rack).

Figure 4



# Adding Detergent and Rinse Aid

## Detergent

Use only detergent specifically designed for dishwashers. For best results, use fresh powdered dishwashing detergent.

### NOTICE

To avoid dishwasher damage, do not use hand dishwashing products in your dishwasher.



To avoid dishwasher damage, do not use too much detergent if your water is soft. Using too much detergent in soft water may cause etching in glassware.

This dishwasher uses less water, therefore, less detergent is required. With soft water, 1 tablespoon (15ml) of detergent will clean most loads. The detergent dispenser cup has lines that measure detergent to 1 tablespoon (15ml) and 1.75 tablespoons (25ml). 3 tablespoons (45ml) of detergent will completely fill the detergent dispenser.

*Note: If you do not know the hardness of your water supply, use 15ml of detergent. Increase the amount if necessary to the least amount required to get your kitchenware clean.*

Use the measuring lines in the detergent dispenser cup as a guide to measure the amount of detergent recommended in **Table 1**.

### Adding Detergent

- 1 tablespoon (15ml) will clean most loads (see **Figure 5**).
- Do not use more than 3 tablespoons (45ml).
- Do not over fill the detergent dispenser.
- When using detergent tabs, lay them flat to avoid contact with the cover.

### To Close

- Place finger as shown in **Figure 6**.
- Slide cover fully left.
- Push rear end of cover down firmly until it clicks.

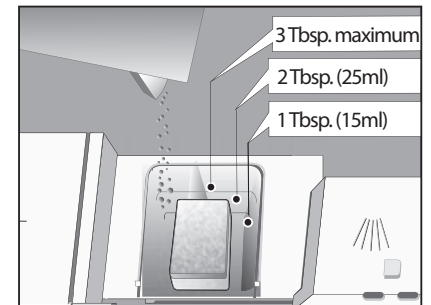
### To Open

- To open the cover, push the blue button inward (not down) as shown in **Figure 7**.
- Cover will slide open.

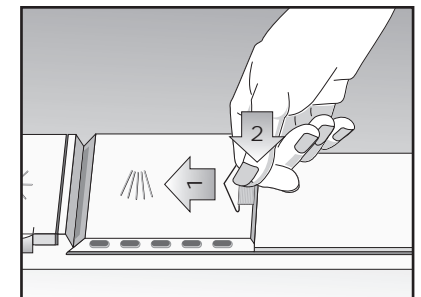
**Table 1 - Recommended Detergent Amount**

Wash Cycle	Hard Water/ Heavy Soil	Medium Water/ Medium Soil	Soft Water/ Little Soil/ with Half Load Option
Heavy	45ml (3tbsp)	45ml (3tbsp)	25-45ml (1.75-3tbsp)
Auto	25-45ml (1.75-3tbsp)	25ml (1.75tbsp)	15-25ml (1-1.75tbsp)
Delicate	25ml (1.75tbsp)	15-25ml (1-1.75tbsp)	15ml (1tbsp)
Normal	25-45ml (1.75-3tbsp)	25ml (1.75tbsp)	15-25ml (1-1.75tbsp)
Express	25ml (1.75tbsp)	15-25ml (1-1.75tbsp)	15ml (1tbsp)
Rinse	None	None	None

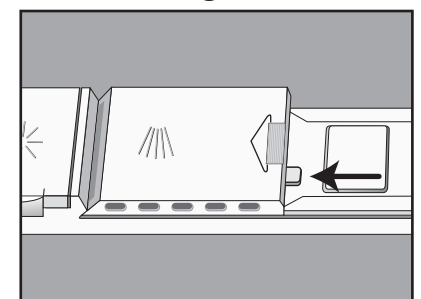
**Figure 5**



**Figure 6**



**Figure 7**



## Rinse Aid

To achieve proper drying, always use a liquid rinse aid, even if your detergent contains a rinse aid or drying additive.

*Note: The dishwasher indicates low rinse aid by turning on the Rinse Aid indicator symbol. ✱  
If this light is on, you need to refill the rinse aid dispenser by following the directions below.*

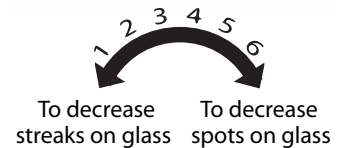
### Adding Rinse Aid

Open the rinse aid reservoir and add liquid rinse aid to the dispenser by pouring over the arrow.

Turn the arrow to adjust the amount of rinse aid dispensed (see **Figure 8**). Wipe up any excess rinse aid that may puddle when the dispenser reservoir is full.

The indicator light will go out a few moments after the dishwasher door is shut.

**Figure 8**



# Dishwasher Cycles and Options

## Wash Cycles

**Heavy:** Best for cleaning items with baked-on food or grease. These dishes would normally require soaking.

**Auto:** With our most complex soil sensing capability, this cycle is perfect for use with mixed loads of dishware with varying amounts of food soil. This is the most flexible cycle and is a good choice for everyday use.

**Delicate:** For delicate or heirloom dishware and silverware or other special items. Always make sure that the items are dishwasher safe. Refer to the Dishware Materials section of this manual for further information. Hand washing may be the best treatment for such items.

**Normal:** Thoroughly cleans a full load of normally soiled dishes.


*Note: The Energy Guide Label was based on this soil sensing cycle with all available options turned off. As prescribed in the energy test procedure, the unit was tested without any Rinse Aid in the Rinse Aid dispenser. A single dose of detergent was used in the Detergent Dispenser, with no detergent used in the prewash. The test was conducted with the upper rack in the lowest position.*

**Express:** Cleans lightly soiled dishes and reduces overall wash time. Use this cycle to clean glasses and dessert dishware that may need to be reused at the same event.

**Rinse:** Allows you to rinse the food soil off of a partial load and hold them in the dishwasher until you are ready to run a full load.

## Wash Cycle Options

**Delay Start:** This option allows you to delay the start time of your dishwasher up to 19 hours.

**Sanitize:** The Sanitize feature is available only in the Heavy, Auto and Normal cycles. Press the “Sanitize Option” button to activate the Sanitation features during these cycles. The sanitize symbol  will light when sanitation requirements are met. The technical sanitation measures may also improve the drying results.

*Note: The dishwasher automatically defaults to Auto Wash when turned off and back on. If you used the sanitize option in your last cycle, the dishwasher will default to Auto Wash with the Sanitize option selected when you turn it on.*

**Half Load:** In the Heavy, Auto and Normal wash cycles, the Half Load option can reduce the energy and water consumption when washing small, lightly soiled loads that fill approximately half of the dishwasher’s capacity. To activate, select the Half Load button in addition to any of the three cycles listed above.

# Wash Cycle Information

Note: To save energy, this dishwasher has a “Smart Control” where the sensors in the dishwasher automatically adjust the cycle length, temperature and water changes based on the amount of food soil and the incoming water temperature. The “Smart Control” makes decisions that can cause the cycle time and water usage to adjust intermittently. **Wash cycle times are based on 120°F water supply.** If your household water supply is higher than 120°F, your dishwasher’s heating time may be reduced and the “Sanitized” light or symbol may not illuminate.

Table 2 - Wash Cycle Information

	Heavy Wash	Auto Wash	Normal Wash	Delicate Wash	Express Wash	Rinse & Hold
cycle time	135 min	95-119 min	115 min	80 min	30 min	9 min
cycle time with Half Load	115 min	99 min	90 min	not available	not available	not available
cycle time with Sanitize	135 min	105-135 min	125 min	not available	not available	not available
water consumption	23.2-27.4 L 6.1-7.2 gal	10.4-22.5 L 2.7-5.9 gal	8.9-18.3L 2.4-4.8 gal	13.1 L 3.5 gal	13.1 L 3.5 gal	4.7 L 1.2 gal
wash temperature	66-72°C 151-162°F	55-72°C 126-162°F	50-69°C 122-156°F	50°C 122°F	45-72°C 113-162°F	no wash
rinse temperature	72°C 162°F	65-72°C 156-162°F	45-69°C 113-156°F	69°C 156°F	50°C 122°F	incoming water temp.

Note: Only sanitizing cycles have been designed to meet the requirements of 6 for soil removal and sanitization efficacy. There is no intention, either directly or indirectly, that all cycles have passed sanitization performance tests.

## Operating the Dishwasher

### Start the dishwasher:

- 1 Open the door and press the **On/Off** button.
- 2 Select a cycle and desired options.
- 3 Close the door to begin the cycle.

### Delay start:

- 1 Open the door and press the **On/Off** button.
- 2 Select a cycle.
- 3 Press and hold the **Delay Start** button. Release when the desired delay time is shown in the display window.
- 4 Close the door to begin the cycle.

### Cancel a cycle:

- 1 Open the dishwasher door just far enough to expose the control panel. Be careful of hot water that may splash out.
- 2 Press and hold the two buttons labeled **Cancel/Reset** for 3 seconds.
- 3 Close the door and wait about 1 minute while the dishwasher drains.
- 4 Open the door and press the **On/Off** button. You may now start a new cycle.

## WARNING

You could be seriously scalded if you allow hot water to splash out of the dishwasher. OPEN THE DOOR CAREFULLY during any wash or rinse cycle. Do not fully open the door until water noises have stopped.

### Interrupt a cycle:

- 1 Open the dishwasher door just far enough to expose the control panel. Be careful of hot water that may splash out.
- 2 Press the **On/Off** button to turn the unit off.
- 3 Wait at least 10 seconds before fully opening the dishwasher door.
- 4 To resume the cycle, press the **On/Off** button and close the dishwasher door.

## Extra Dry Heat:

- 1 Press and hold the **Auto** button, then press and hold the **On/Off** button.
- 2 When the LED display window indicates a “0” or “1” release both buttons.
- 3 To activate Extra Dry Heat, press the **Auto** button until the display indicates “1”.
- 4 To disable Extra Dry Heat, press the **Auto** button until the display indicates “0”.
- 5 Press the **On/Off** button to save the setting.

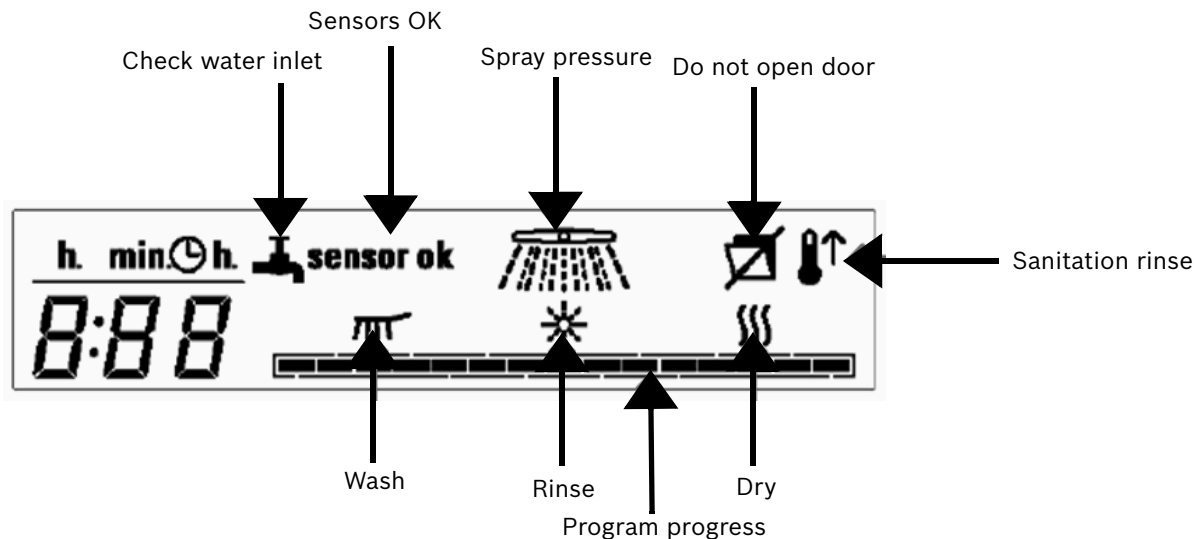
## Cycle completion signal:

The cycle completion signal alerts you when a cycle completes and the dishwasher has washed and dried the dishes. You can choose to disable the tone or adjust the volume.

To activate:

- 1 With the unit OFF, press and hold the right of the two **Cancel/Reset** buttons and then press and hold the **On/Off** button.
- 2 When the light on the **Cancel/Reset** button you are pressing illuminates and the tone goes off, release both buttons.
- 3 Press the right of the two **Cancel/Reset** buttons again until you achieve the desired volume or until there is no tone (to turn cycle completion signal OFF).
- 4 Press the **On/Off** button to save the setting.

## SHE68R5xUC and SHX68R5xUC front display key:



# Care and Maintenance

## Maintenance Tasks

Certain areas of the dishwasher require occasional maintenance. The maintenance tasks are easy to do and will ensure continued superior performance from your dishwasher.

### Wiping up spills and splash-outs

Water may occasionally splash out of your dishwasher, particularly if you interrupt a cycle or open the dishwasher door during a cycle. To avoid floor damage and possibly mold growth, do not allow wet areas to remain around or under the dishwasher.

### Clean the stainless steel inner door and tub

Clean the outer edges of the inside door panel regularly to remove debris that may collect from normal loading. If spots begin to appear on the stainless steel, make sure the rinse agent is full and functioning properly.

### Check and clean spray arm nozzles

Remove the top spray arm by first removing the empty top rack from the dishwasher. Turn the rack upside down. The top spray arm is held in position by a locking nut as shown in **Figure 9**. Turn the locking nut counterclockwise and remove it to release the spray arm. Look for obstruction in the spray nozzles. If the spray nozzles need cleaning, flush them under running water.

To reinstall the top spray arm, place it back in position and return the locking nut to its install position. Turn the locking nut clockwise to secure. Return the top rack to the top rack roller guides.

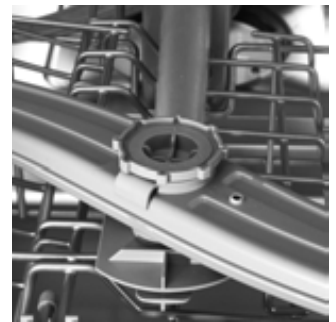


Figure 9

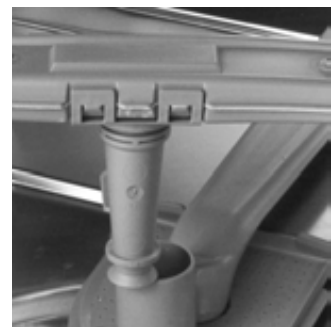


Figure 10

Remove the bottom spray arm by first removing the empty bottom rack from the dishwasher. Grasp and lift the spray arm as shown in **Figure 10**. Look for obstruction in the spray nozzles. If the spray nozzles need cleaning, flush them under running water.

To reinstall the bottom spray arm, return the bottom spray arm to the installed position and press it until it snaps into place. Return the bottom rack to the installed position.

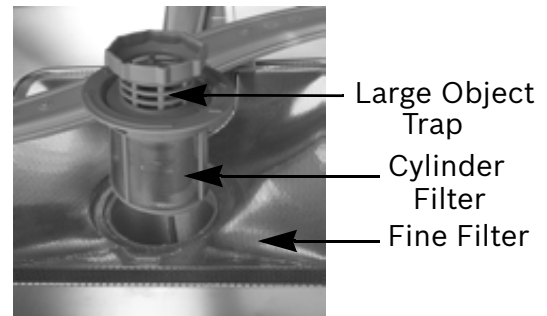


Figure 11

### Check and clean the filter system

The filter system consists of a Large Object Trap/Cylinder Filter assembly, a Fine Filter and a Micro Filter. The filter system is located on the inside of your dishwasher under the lower rack and is easily accessible. During normal use, the filter system is self-cleaning. You should occasionally inspect it for foreign objects and clean it when necessary.

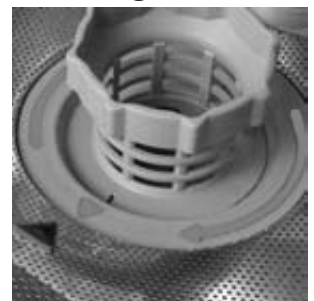
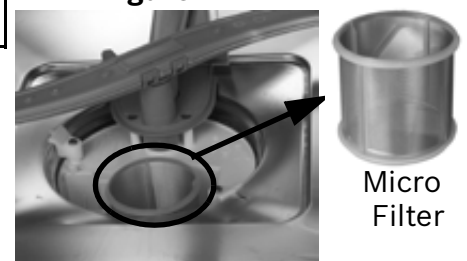


Figure 12

**CAUTION**  
To avoid injury, do not reach into the large object trap with your fingers. The large object trap could contain sharp objects.

To remove the Large Object Trap, remove the bottom rack. Grasp the assembly and turn it counterclockwise. Lift the assembly out.

Carefully examine the assembly. If you find debris in the Large Object Trap, turn it upside-down and gently tap it on a flat surface to dislodge and remove debris.





Remove the Micro Filter as shown in **Figure 12**.

Flush the Micro Filter and Fine Filter clean by holding them under running water.

To reinstall the filter system, return the Micro Filter to the installed position. Place the Large Object Trap/Cylinder Filter Assembly and Fine Filter into the installed position. Turn the locking nut clockwise until it is locked. The arrow on the ring handle and the arrow on the Fine Filter should point at each other.

### **Clean the exterior door panel**

Colored doors: use only a soft cloth dampened with soapy water.

Stainless steel doors: use a soft cloth with a non-abrasive cleaner (preferably a liquid spray) made for cleaning stainless steel. For the best results, apply the stainless steel cleaner to the cloth and then wipe the surface.

### **Clean the door gasket**

Regularly clean the door gasket with a damp cloth to remove food particles and other debris. Also clean the door seal, located inside the dishwasher at the bottom of the door.

### **Winterizing your unit**

If your dishwasher will be unused for an extended period of time in a location that experiences freezing temperatures (holiday home or through a vacation period), have your dishwasher winterized by an authorized professional service. Turn your household water supply to the dishwasher off when on extended vacation or when dishwasher will not be used for more than 1 month.

# Self Help

Dishwashers may occasionally exhibit problems that are unrelated to a malfunction of the dishwasher itself. The following information may help you with a dishwasher problem without involving a repair professional.

Problem	Cause	Action
Dishwasher does not start	<ol style="list-style-type: none"> <li>1. Door may not be properly latched</li> <li>2. Unit may not be turned on</li> <li>3. Unit not reset or previous cycle not completed</li> <li>4. Delay start engaged</li> <li>5. Interruption of electrical power supply to dishwasher or blown fuse.</li> <li>6. The door may have been closed without first selecting a cycle</li> <li>7. Water supply may not be turned on</li> </ol>	<ol style="list-style-type: none"> <li>1. Shut the door completely</li> <li>2. Press the main power switch to turn unit on</li> <li>3. To reset, refer to “cancelling or changing cycle” in this manual</li> <li>4. To reset, refer to “delay start” section in this manual</li> <li>5. Check circuit breaker</li> <li>6. Select a cycle and close the door.</li> <li>7. Check and turn on water supply</li> </ol>
Dishwasher beeping (end of cycle signal)	<ol style="list-style-type: none"> <li>1. Default factory settings alert the customer that the cycle is complete by beeping. This feature can be deactivated if so desired.</li> </ol>	<ol style="list-style-type: none"> <li>1. To adjust the volume or deactivate, refer to the “cycle completion signal” section in this manual.</li> </ol>
Display does not illuminate	<ol style="list-style-type: none"> <li>1. A fuse may have been blown or circuit breaker tripped</li> <li>2. Door not closed or latched</li> </ol> <p>Note: For models with controls on top of the door, the display only illuminate when the door is opened and controls are visible.</p>	<ol style="list-style-type: none"> <li>1. Check the fuse or circuit breaker box and replace the fuse or reset the breaker if necessary</li> <li>2. Ensure door is properly latched and completely closed</li> </ol>
Dishwasher seems to run a long time	<ol style="list-style-type: none"> <li>1. Incoming water is not warm enough</li> <li>2. Cycle time can vary due to soil and water conditions</li> <li>3. Rinse agent dispenser is empty</li> <li>4. Dishwasher connected to cold water supply</li> </ol> <p>Note: Refer to “wash cycle information” section in this manual for typical cycle lengths</p>	<ol style="list-style-type: none"> <li>1. Before starting a cycle, run hot water faucet at the sink closest to the dishwasher</li> <li>2. Sensors in the dishwasher automatically increase the cycle time to ensure a good wash when heavy soil is detected</li> <li>3. Add rinse agent</li> <li>4. Verify dishwasher is connected to hot water supply plumbing</li> </ol>
Dishes are not getting clean enough	<ol style="list-style-type: none"> <li>1. Spray arm movement obstructed</li> <li>2. Spray arm nozzles clogged</li> <li>3. Improper use of detergents</li> <li>4. Filters could be clogged</li> <li>5. Dishes are nested or loaded too close together</li> <li>6. Selected wash cycle is not suitable for food soil conditions</li> </ol>	<ol style="list-style-type: none"> <li>1. Ensure that spray arm movement is not blocked by hand rotating spray arms before starting cycle</li> <li>2. Remove the spray arms and clean according to the “care and maintenance” section of the manual</li> <li>3. Increase or decrease detergent depending on the water hardness (refer to Table 1)</li> <li>4. Clean the filters according to the “care and maintenance” section of the manual</li> <li>5. Rearrange load such that water spray can reach all items in the dishwasher - see “loading the dishwasher” section of the manual</li> <li>6. Refer to “wash cycle information” section of the manual</li> </ol>
Dishes are not getting dry enough	<ol style="list-style-type: none"> <li>1. Rinse agent dispenser is empty</li> <li>2. Improper loading of dishes</li> <li>3. Selected cycle does not include drying</li> <li>4. Extra Dry Heat is not activated</li> </ol> <p>Note: Plastic or Teflon do not typically dry as well as other items due to their inherent properties</p>	<ol style="list-style-type: none"> <li>1. Add rinse agent - the use of rinse agent improves drying</li> <li>2. Rearrange load to ensure items are not nesting (see “loading the dishwasher” section of the manual)</li> <li>3. Rinse and Hold setting does not include drying</li> <li>4. See the “Operating the Dishwasher” section of this manual to learn how to activate Extra Dry Heat</li> </ol>

<b>Problem</b>	<b>Cause</b>	<b>Action</b>
Odor	<ol style="list-style-type: none"> <li>1. Food debris is present at the bottom of the dishwasher</li> <li>2. Food particles are present near the door seal</li> <li>3. Dishes left in unit too long before running a cycle</li> <li>4. Residual water is present at the bottom of the dishwasher</li> <li>5. Drain hose is obstructed</li> </ol>	<ol style="list-style-type: none"> <li>1. Remove the filters and clean according to the “care and maintenance” section of the manual</li> <li>2. Refer to “care and maintenance” section of the manual</li> <li>3. Run a Rinse and Hold cycle if you do not intend to immediately wash the dishes</li> <li>4. Ensure the unit has completely drained from the last cycle</li> <li>5. Remove any obstructions from the drain hose by calling qualified personnel.</li> </ol> <p>Note: If odor still persists, run the Normal/Regular cycle until it flushes and interrupt the cycle and place an 8oz. cup of distilled white vinegar solution on the top rack and then finish the cycle.</p>
Dishwasher not filling with water	<ol style="list-style-type: none"> <li>1. Restriction in the water supply system</li> <li>2. Previous wash cycle was not completed</li> <li>3. Delay start is active</li> <li>4. Household water supply is off</li> </ol>	<ol style="list-style-type: none"> <li>1. Ensure that the water supply valve (typically located under kitchen sink) is open and check that the water supply line has no kinks or clogs</li> <li>2. Refer to the “operating the dishwasher” section of the manual.</li> <li>3. Cancel the delay start or wait until delay start time completes</li> <li>4. Turn household water supply on</li> </ol>
Water leaks	<ol style="list-style-type: none"> <li>1. Suds</li> <li>2. Door seal could be pulled away from track</li> <li>3. Condensation vent is blocked</li> <li>4. Improper installation</li> </ol>	<ol style="list-style-type: none"> <li>1. Wrong type of detergent results in suds and leaks - use only dishwasher detergents. If suds still persist, add one tablespoon of vegetable oil at the bottom of the dishwasher and run the desired cycle.</li> <li>2. Ensure the door seal is in the track</li> <li>3. Ensure that condensation vent is not blocked</li> <li>4. Have proper installation verified by qualified personnel (water supply, drain system, leveling, plumbing)</li> </ol>
Tub stains	<ol style="list-style-type: none"> <li>1. Stains on the dishwasher interior are due to water hardness</li> <li>2. Silverware in contact with tub</li> </ol>	<ol style="list-style-type: none"> <li>1. Concentrated lemon juice can reduce the build up of hard water stains. Run a Regular cycle until it flushes and interrupt the cycle and then place an 8oz. cup of the concentrated lemon solution on the top rack and finish the cycle. this can be done periodically to avoid build up.</li> <li>2. Ensure that silverware does not make contact with the tub while running a cycle.</li> </ol>
Streaks on glass-ware or residue on the dishes	<ol style="list-style-type: none"> <li>1. Incorrect rinse agent setting</li> </ol>	<ol style="list-style-type: none"> <li>1. Depending on the hardness of water, adjust the rinse agent dispenser. Refer to “Adding detergent and rinse agent” section in the manual</li> </ol>
Fascia panel dis-colored or marked	<ol style="list-style-type: none"> <li>1. Abrasive cleaner used</li> </ol>	<ol style="list-style-type: none"> <li>1. Use mild detergents with soft damp cloth</li> </ol>
Noise during wash cycle	<ol style="list-style-type: none"> <li>1. Dishes may not be arranged properly</li> </ol>	<ol style="list-style-type: none"> <li>1. Water circulation sound is normal, but if you suspect items are banging into each other or into the spray arms, refer to the “loading the dishwasher” section of the manual for optimal arrangement.</li> </ol>
Detergent dispenser cover will not shut	<ol style="list-style-type: none"> <li>1. Improper operation of detergent cover</li> <li>2. Previous cycle has not been finished or reset or cycle or interrupted</li> </ol>	<ol style="list-style-type: none"> <li>1. Refer to “adding detergent and rinse agent” section of the manual for instructions on opening and closing the dispenser</li> <li>2. Refer to the “operating the dishwasher” section of the manual</li> </ol>
Unable to select desired cycle	<ol style="list-style-type: none"> <li>1. Previous cycle has not finished</li> </ol>	<ol style="list-style-type: none"> <li>1. Refer to the “operating the dishwasher” section of the manual</li> </ol>

# Customer Service

Your Bosch dishwasher requires no special care other than that described in the Care and Maintenance section of this manual. If you are having a problem with your dishwasher, before calling for service please refer to the Self Help section of the manual. If service is necessary, contact your dealer or installer or an authorized service center. Do not attempt to repair the appliance yourself. Any work performed by unauthorized personnel may void the warranty.

If you are having a problem with your Bosch dishwasher and are not pleased with the service you have received, please take the following steps until the problem is corrected to your satisfaction:

- 1 Call us at 1-800-944-2904
- 2 Contact Customer Service from our web site:  
*www.bosch-home.com/us or www.bosch-appliances.ca*
- 3 Contact your installer or the Bosch Authorized Service Contractor in your area.
- 4 Write us:

*BSH Home Appliances Corporation  
5551 McFadden Avenue  
Huntington Beach, CA 92649*

Please be sure to include your model information as well as an explanation of the problem and the date it started.

You will find the model and serial number information on the label located on the edge of the dishwasher door.

Also, if you are writing, please include a daytime phone number where you can be reached.

Please make a copy of your invoice and keep it with this manual. The customer must show proof of purchase to obtain warranty service.



This Bosch dishwasher is backed by the Good Housekeeping Seal. The limited warranty reflected by the Good Housekeeping Seal means that if a product bearing the Seal is defective within the first two years of purchase, Good Housekeeping will replace the product or refund the purchase price. For details please visit [GHSeal.com](http://GHSeal.com).

# Warranty Information

**What this Warranty Covers & Who it Applies to:** The limited warranty provided by BSH Home Appliances (“Bosch”) in this Statement of Limited Product Warranty applies only to Bosch dishwashers (“Product”) sold to you, the first using purchaser, provided that the Product was purchased: (1) for your normal, household (non-commercial) use, and has in fact at all times only been used for normal household purposes; (2) new at retail (not a display, “as is”, or previously returned model), and not for resale, or commercial use; and (3) within the United States or Canada, and has at all times remained within the country of original purchase. The warranties stated herein apply only to the first purchaser of the Product and are not transferable.

• Please make sure to return your registration card; while not necessary to effectuate warranty coverage, it is the best way for Bosch to notify you in the unlikely event of a safety notice or product recall.

**How Long the Warranty Lasts:** Bosch warrants that the Product is free from defects in materials and workmanship for a period of three hundred sixty five (365) days from the date of purchase. The foregoing timeline begins to run upon the date of purchase, and shall not be stalled, tolled, extended, or suspended, for any reason whatsoever. Labor and shipping costs are included in this basic coverage.

**Extended Limited Warranty:** Bosch also provides these additional limited warranties:

• 5 Year Limited Warranty on Electronics: Bosch will repair or replace any Bosch microprocessor or printed circuit board if it proves to be defective in materials or workmanship (excludes labor charges).

• 5 Year Limited Warranty on Dish Racks: Bosch will replace the upper or lower dish rack (excluding rack components), if the rack proves defective in materials or workmanship (excludes labor charges).

• Lifetime Warranty against Stainless Steel Rust Through: Bosch will replace your dishwasher with the same model or a current model that is substantially equivalent or better in functionality, if the inner liner should rust through (excludes labor charges).

• Bosch will replace the stainless steel door if the door should rust through (excludes labor charges).

The foregoing timeline begins to run upon the date of purchase, and shall not be stalled, tolled, extended, or suspended, for any reason whatsoever.

**Repair/Replace as Your Exclusive Remedy:** During this warranty period, Bosch or one of its authorized service providers will repair your Product without charge to you (subject to certain limitations stated herein) if your Product proves to have been manufactured with a defect in materials or workmanship. If reasonable attempts to repair the Product have been made without success, then Bosch will replace your Product (upgraded models may be available to you, in Bosch’s sole discretion, for an additional charge). All removed parts and components shall become the property of Bosch at its sole option. All replaced and/or repaired parts shall assume the identity of the original part for purposes of this warranty and this warranty shall not be extended with respect to such parts. Bosch’s sole liability and responsibility hereunder is to repair manufacturer-defective Product only, using a Bosch-authorized service provider during normal business hours. For safety and property damage concerns, Bosch highly recommends that you do not attempt to repair the Product yourself, or use an unauthorized servicer; Bosch will have no responsibility or liability for repairs or work performed by a non-authorized servicer. If you choose to have someone other than an authorized service provider work on your Product, THIS WARRANTY WILL AUTOMATICALLY BECOME NULL AND VOID. Authorized service providers are those persons or companies that have been specially trained on Bosch products, and who possess, in Bosch’s opinion, a superior reputation for customer service and technical ability (note that they are independent entities and are not agents, partners, affiliates or representatives of Bosch). Notwithstanding the foregoing, Bosch will not incur any liability, or have responsibility, for the Product if it is located in a remote area (more than 100 miles from an authorized service provider) or is reasonably inaccessible, hazardous, threatening, or treacherous locale, surroundings, or environment; in any such event, if you request, Bosch would still pay for labor and parts and ship the parts to the nearest authorized service provider, but you would still be fully liable and responsible for any travel time or other special charges by the service company, assuming they agree to make the service call.

**Out of Warranty Product:** Bosch is under no obligation, at law or otherwise, to provide you with any concessions, including repairs, pro-rates, or Product replacement, once this warranty has expired.

**Warranty Exclusions:** The warranty coverage described herein excludes all defects or damage that are not the direct fault of Bosch, including without limitation, one or more of the following: (1) use of the Product in anything other than its normal, customary and intended manner (including without limitation, any form of commercial use, use or storage of an indoor product outdoors, use of the Product in conjunction with air or water-going vessels); (2) any party’s willful misconduct, negligence, misuse, abuse, accidents, neglect, improper operation, failure to maintain, improper or negligent installation, tampering, failure to follow operating instructions, mishandling, unauthorized service (including self-performed “fixing” or exploration of the appliance’s internal workings); (3) adjustment, alteration or modification of any kind; (4) a failure to comply with any applicable state, local, city, or county electrical, plumbing and/or building codes, regulations, or laws, including failure to install the product in strict conformity with local fire and building codes and regulations; (5) ordinary wear and tear, spills of food, liquid, grease accumulations, or other substances that accumulate on, in, or around the Product; and (6) any external, elemental and/or environmental forces and factors, including without limitation, rain, wind, sand, floods, fires, mud slides, freezing temperatures, excessive moisture or extended exposure to humidity, lightning, power surges, structural failures surrounding the appliance, and acts of God. In no event shall Bosch have any liability or responsibility whatsoever for damage to surrounding property, including cabinetry, floors, ceilings, and other structures or objects around the Product. Also excluded from this warranty are scratches, nicks, minor dents, and cosmetic damages on external surfaces and exposed parts; Products on which the serial numbers have been altered, defaced, or removed; service visits to teach you how to use the Product, or visits where there is nothing wrong with the Product; correction of installation problems (you are solely responsible for any structure and setting for the Product, including all electrical, plumbing or other connecting facilities, for proper foundation/flooring, and for any alterations including without limitation cabinetry, walls, floors, shelving, etc.); and resetting of breakers or fuses.

TO THE EXTENT ALLOWED BY LAW, THIS WARRANTY SETS OUT YOUR EXCLUSIVE REMEDIES WITH RESPECT TO PRODUCT, WHETHER THE CLAIM ARISES IN CONTRACT OR TORT (INCLUDING STRICT LIABILITY, OR NEGLIGENCE) OR OTHERWISE. THIS WARRANTY IS IN LIEU OF ALL OTHER WARRANTIES, WHETHER EXPRESS OR IMPLIED. ANY WARRANTY IMPLIED BY LAW, WHETHER FOR MERCHANTABILITY OR FITNESS FOR A PARTICULAR PURPOSE, OR OTHERWISE, SHALL BE EFFECTIVE ONLY FOR THE PERIOD THAT THIS EXPRESS LIMITED WARRANTY IS EFFECTIVE. IN NO EVENT WILL THE MANUFACTURER BE LIABLE FOR CONSEQUENTIAL, SPECIAL, INCIDENTAL, INDIRECT, “BUSINESS LOSS”, AND/OR PUNITIVE DAMAGES, LOSSES, OR EXPENSES, INCLUDING WITHOUT LIMITATION TIME AWAY FROM WORK, HOTELS AND/OR RESTAURANT MEALS, REMODELLING EXPENSES IN EXCESS OF DIRECT DAMAGES WHICH ARE DEFINITELY CAUSED EXCLUSIVELY BY BOSCH, OR OTHERWISE. SOME STATES DO NOT ALLOW THE EXCLUSION OR LIMITATION OF INCIDENTAL OR CONSEQUENTIAL DAMAGES, AND SOME STATES DO NOT ALLOW LIMITATIONS ON HOW LONG AN IMPLIED WARRANTY LASTS, SO THE ABOVE LIMITATIONS MAY NOT APPLY TO YOU. THIS WARRANTY GIVES YOU SPECIFIC LEGAL RIGHTS, AND YOU MAY ALSO HAVE OTHER RIGHTS WHICH VARY FROM STATE TO STATE. No attempt to alter, modify or amend this warranty shall be effective unless authorized in writing by an officer of BSH.

**How to Obtain Warranty Service:** TO OBTAIN WARRANTY SERVICE FOR YOUR PRODUCT, YOU SHOULD CONTACT THE NEAREST BOSCH AUTHORIZED SERVICE CENTER, OR CALL 800-944-2904, or write Bosch at: BSH Home Appliances - 5551 McFadden Avenue, Huntington Beach, CA 92649



Bosch vous adresse tous ses remerciements et félicitations !

Merci d'avoir choisi un lave-vaisselle Bosch. Vous avez rejoint les nombreux consommateurs qui exigent un rendement silencieux et exceptionnel de leur lave-vaisselle.

Ce guide a été rédigé avec votre sécurité et commodité en tête et les informations qu'il contient sont très importantes. Nous vous recommandons fortement de lire ce guide avant d'utiliser le lave-vaisselle pour la première fois.

Pour en savoir plus sur votre lave-vaisselle et les accessoires disponibles, ainsi que sur les nombreux autres appareils Bosch d'excellente qualité, visitez notre site Web à l'adresse :

*www.bosch-home.com/us (USA)*

*or*

*www.bosch-appliances.ca (Canada)*

Pour toute question ou commentaire, veuillez communiquer avec nous en téléphonant au :

*BSH Home Appliances, Corp.*

*5551 McFadden Avenue*

*Huntington Beach, CA 92649*

## **Table des matières**

<b>Consignes de sécurité importantes.....</b>	<b>2-3</b>
<b>Composants du lave-vaisselle.....</b>	<b>4</b>
<b>Caractéristiques du lave-vaisselle et matériaux de vaisselle.....</b>	<b>5</b>
<b>Chargement du lave-vaisselle.....</b>	<b>6</b>
<b>Chargement du panier à couverts.....</b>	<b>7</b>
<b>Accessoires des paniers.....</b>	<b>8</b>
<b>Ajout de détergent et d'agent de rinçage.....</b>	<b>9-10</b>
<b>Programmes et options du lave-vaisselle.....</b>	<b>11</b>
<b>Informations sur les programmes de lavage.....</b>	<b>12</b>
<b>Fonctionnement du lave-vaisselle.....</b>	<b>12-13</b>
<b>Nettoyage et entretien.....</b>	<b>14-15</b>
<b>Aide automatique.....</b>	<b>16-17</b>
<b>Service après-vente.....</b>	<b>18</b>
<b>Informations concernant la garantie.....</b>	<b>19</b>

# Consignes de sécurité importantes: Veuillez lire et conserver ces informations



## AVERTISSEMENT

Une mauvaise utilisation du lave-vaisselle peut entraîner des blessures graves ou la mort. Ne pas utiliser le lave-vaisselle d'une manière qui n'est pas traitée dans le présent guide ou à des fins autres que celles qui sont expliquées dans les pages qui suivent.



Des dommages au produit et/ou blessures graves peuvent survenir par suite de l'emploi de techniciens en entretien et en réparation non qualifiés ou de pièces de rechanges qui ne sont pas d'origine. Toutes les réparations doivent être effectuées par un technicien en entretien et en réparation qualifié qui utilise des pièces de rechange du fabricant de l'équipement d'origine.



Un choc électrique ou un incendie peut résulter de l'installation inexacte de l'alimentation électrique du lave-vaisselle traité dans le présent guide ou d'une mauvaise mise à la terre du lave-vaisselle. Ne pas utiliser le lave-vaisselle traité dans le présent guide à moins d'être certain que l'alimentation électrique a été correctement installée ou que le lave-vaisselle a été correctement mis à la terre.



Ne jamais nettoyer votre lave-vaisselle avec des produits chimiques puissants. Certains produits contenant des chlorures peuvent endommager votre lave-vaisselle et poser des risques pour la santé !

## AVIS

Ne jamais nettoyer votre lave-vaisselle avec des produits de nettoyage à la vapeur. Le fabricant n'assume aucune responsabilité pour d'éventuels dommages ou conséquences.



Il est vivement recommandé à l'utilisateur final de se familiariser avec les procédures de fermeture de l'alimentation d'eau entrante et de coupure de l'alimentation électrique entrante. Reportez-vous aux instructions d'installation ou communiquez avec votre installateur pour de plus amples renseignements.





## **AVERTISSEMENT : Pour réduire le risque d'incendie, de choc électrique ou de blessure grave, respectez les consignes suivantes :**

- 1** Ce lave-vaisselle est fourni avec les instructions d'installation et le présent guide d'utilisation et d'entretien. Lire et comprendre toutes les instructions avant de faire fonctionner le lave-vaisselle.
- 2** Cet appareil doit être mis à la terre sur une installation de fils à demeure en métal ou un conducteur de protection doit être relié aux fils conducteurs et raccordé à la borne ou au fil de mise à la terre du lave-vaisselle. Consulter les instructions d'installation fournies avec ce lave-vaisselle pour de plus amples renseignements sur les conditions requises pour l'alimentation en électricité.
- 3** Utiliser uniquement ce lave-vaisselle conformément à l'usage auquel il est destiné, à savoir pour laver la vaisselle et la batterie de cuisine de ménage.
- 4** Utiliser uniquement des détergents ou des produits de rinçage recommandés pour l'usage en lave-vaisselle et les conserver hors de la portée des enfants.
- 5** Lors du chargement des articles dans le lave-vaisselle :
  - Disposer les articles coupants de sorte à ce qu'ils ne puissent pas endommager le joint de porte.
  - Placer les couteaux et autre ustensiles tranchants le MANCHE VERS LE HAUT pour réduire le risque de blessure par coupure.
  - Ne pas laver d'articles en plastique à moins qu'ils ne soient identifiés par la mention « lavable au lave-vaisselle » ou l'équivalent.
  - Ne pas faire fonctionner votre lave-vaisselle à moins que tous les panneaux protecteurs ne soient en place.
  - Ne pas altérer ni neutraliser les commandes et dispositifs de verrouillage.
- 6** Ne pas utiliser abusivement, s'asseoir ou se tenir debout sur la porte ou les paniers à vaisselle du lave-vaisselle.
- 7** Pour réduire le risque de blessures, empêcher les enfants de jouer à l'intérieur ou sur le lave-vaisselle.
- 8** Lorsque les enfants sont en âge de faire fonctionner l'appareil, les parents ou tuteurs légaux ont la responsabilité légale de s'assurer qu'ils ont été initiés aux pratiques sécuritaires par des personnes qualifiées.
- 9** Dans certaines conditions, de l'hydrogène peut se former à l'intérieur d'un système de production d'eau chaude qui n'a pas été utilisé pendant deux semaines ou plus. L'hydrogène est un gaz explosif. Avant d'utiliser un lave-vaisselle qui est relié à un système de production d'eau chaude inactif depuis deux semaines ou plus, ouvrir tous les robinets d'eau chaude et laisser l'eau couler pendant quelques minutes. Ceci aura pour effet de libérer l'hydrogène accumulé à l'intérieur du système. Ne pas fumer et ne pas utiliser de flamme nue pendant cette opération.
- 10** Enlever la porte du compartiment de lavage d'un ancien lave-vaisselle que vous devez déposer pour réparation ou mise au rebut.
- 11** Afin d'éviter d'endommager le plancher et la formation éventuelle de moisissures, ne laissez aucune trace d'eau sur le sol adjacent au lave-vaisselle ou sous ce dernier.
- 12** Protégez votre lave-vaisselle des éléments. Protégez-le contre le gel afin d'éviter les dommages éventuels au robinet de remplissage. Les dommages causés par le gel ne sont pas couverts par la garantie.
- 13** Modèles avec cordon d'alimentation :
  - Cet appareil doit être mis à la terre. En cas de fonctionnement défectueux ou de panne, la mise à la terre réduit les risques de choc électrique en fournissant un trajet de moindre résistance au courant. Cet appareil est équipé d'un cordon d'alimentation avec un conducteur de mise à la terre d'équipement et une fiche de mise à la terre. Cette fiche doit être branchée sur une prise appropriée, installée et mise à la terre conformément aux codes et règlements locaux.
  - Un mauvais raccordement du conducteur de mise à la terre d'équipement peut entraîner un risque de choc électrique. En cas de doute quant à la mise à la terre adéquate de l'appareil, communiquez avec un électricien ou un technicien en réparation qualifié. Ne pas modifier la fiche fournie avec l'appareil. Si elle ne rentre pas dans la prise, faites installer une prise adéquate par un électricien qualifié.

# Composants du lave-vaisselle

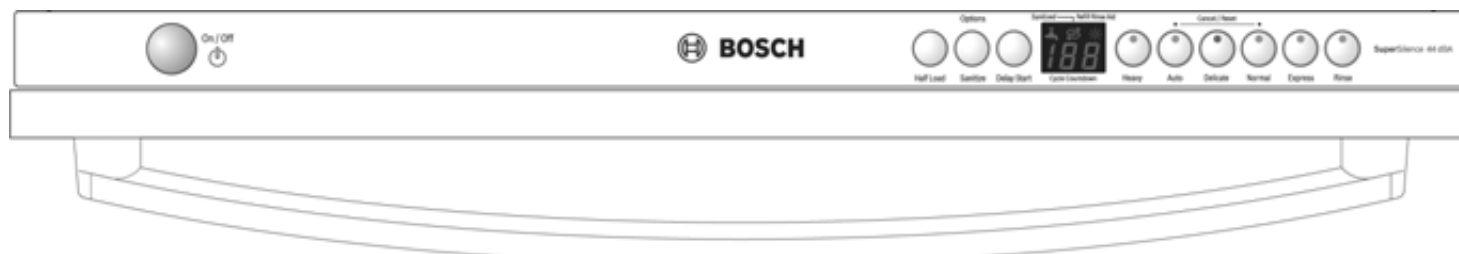
SHE68R5xUC\*



SHV68R53UC



SHX68R5xUC\*



Programmes de lavage							Caractéristiques supplémentaires								
Modèle	Heavy	Auto	Delicate	Normal	Express	Rinse	Adjustable Top Rack	Bottle Holder	Delay Start	Extra Tall Item Sprinkler	Flip Tines	Half Load Option	InfoLight	Sanitize Option	Silverware Basket
SHE68R5xUC*	X	X	X	X	X	X	RackMatic	X	X	X	X	X	X	X	Flexible
SHV68R53UC	X	X	X	X	X	X	RackMatic	X	X	X	X	X	X	X	Flexible
SHX68R5xUC*	X	X	X	X	X	X	RackMatic	X	X	X	X	X	X	X	Flexible

Panier supérieur

Évent

Bras gicleur

Panier inférieur

Distributeur d'agent de rinçage

Distributeur de détergent



\* « x » peut représenter un nombre quelconque

# Caractéristiques du lave-vaisselle

**Mise en marche différée** : retardez l'heure de démarrage de votre lave-vaisselle à l'aide de l'option de mise en marche différée.

**Système de gestion du lavage EcoSense™** : contrôle la qualité de l'eau et décide si un deuxième remplissage d'eau fraîche est nécessaire.

**Chaleur très intense** : augmente la température de l'eau de rinçage et la durée de séchage pour assurer une meilleure performance de séchage.

**Picots rabattables** : améliorent la souplesse d'utilisation des paniers afin qu'ils puissent recevoir des ustensiles surdimensionnés.

**Flow-Through Heater™** : chauffe l'eau à la température de désinfection.

**Système à quatre filtres** : utilise plusieurs filtres pour assurer une distribution d'eau propre et protéger la pompe principale et la pompe de vidange des corps étrangers

**Option demi-charge** : peut diminuer la consommation d'énergie et d'eau lorsque vous lavez de petites quantités de vaisselle légèrement sale qui n'occupent environ que la moitié de la capacité du lave-vaisselle.

**InfoLight™** : une DEL rouge éclaire le sol pour indiquer que le lave-vaisselle est en fonctionnement.

**Système de réduction de bruit** : utilise le système de moteur à deux pompes Suspension Motor™ et un revêtement isolant faisant de ce lave-vaisselle l'un des plus silencieux d'Amérique du Nord.

**Paniers revêtus de nylon** : offrent une protection contre les coupures et les éraflures et bénéficient d'une garantie de cinq (5) ans.

**OptiDry™** : cette fonction détecte le manque d'agent de rinçage dans la machine et augmente automatiquement la durée de séchage.

**Panier à hauteur réglable RackMatic™** : vous pouvez relever ou abaisser le panier supérieur pour donner davantage d'espace aux articles de forme haute dans les paniers supérieur et inférieur.

**SaniDry™ (Séchage hygiénique par condensation)** : le rinçage final à haute température, la cuve en acier inoxydable basse température et l'action mouillante de l'agent de rinçage permettent d'obtenir un séchage hygiénique, écoénergétique et économique.

**Désinfection** : option qui permet d'atteindre des conditions de stérilisation. Cette option ne peut être utilisée qu'avec certains programmes de lavage. Voir page 11.

**Grande cuve en acier inoxydable** : surface intérieure hygiénique inoxydable bénéficiant d'une garantie à vie.

## Matériaux de la vaisselle

*Remarque : avant d'utiliser votre lave-vaisselle pour la première fois, vérifier les informations figurant dans cette section. Certains articles ne sont pas lavables au lave-vaisselle et doivent être lavés à la main ; d'autres nécessitent un chargement spécial.*

### Matériaux recommandés

**Aluminium** : l'aluminium anodisé coloré peut s'altérer au fil du temps. Les minéraux présents dans l'eau peuvent noircir ou tacher l'aluminium. Ceci se nettoie généralement à l'aide d'un tampon de laine d'acier savonneux.

**Porcelaine, cristal, faïence** : certains ustensiles peints à la main peuvent se décolorer, s'altérer ou se tacher. Laver ces ustensiles à la main. Placer la verrerie fragile de façon à ce qu'elle ne se renverse pas ou qu'elle n'entre pas en contact avec d'autres ustensiles pendant le déroulement du programme de lavage.

**Verrerie** : le verre laiteux risque de se décolorer ou de jaunir.

**Finis anti-adhésifs** : appliquer une légère quantité d'huile végétale sur les surfaces anti-adhésives après le séchage.

**Plastique** : s'assurer que les articles en plastique sont lavables au lave-vaisselle.

**Acier inoxydable, argent fin et métaux argentés** : charger ce type d'articles de sorte à ce qu'ils n'entrent pas en contact avec d'autres métaux.

### Non recommandé

**Acrylique** : des craquelures (petites fissures) peuvent apparaître sur l'acrylique.

**Pièces collées** : les adhésifs utilisés pour le collage des objets en plastique, bois, os, acier, cuivre, fer blanc, etc. risquent de ne pas tenir.

**Ustensiles avec manches en os** : les manches risquent de se décoller.

**Fer** : le fer se rouille. Laver à la main et sécher immédiatement.

**Articles autres que la vaisselle** : votre lave-vaisselle est conçu UNIQUEMENT pour le lavage de la vaisselle et de la batterie de cuisine de ménage standard.

**Étain, laiton, bronze** : ces matériaux auront tendance à ternir. Laver à la main et sécher immédiatement.

**Fer blanc** : le fer blanc aura tendance à se tacher. Laver à la main et sécher immédiatement.

**Bois** : les bols et les ustensiles en bois et les ustensiles avec manches en bois peuvent se fissurer, se déformer et perdre leur fini.

# Chargement du lave-vaisselle

Ne pas laver au préalable les articles comportant des saletés peu adhérentes. Enlever les particules d'aliments, les os, les cure-dents et la graisse excessive. Il sera peut-être nécessaire de traiter préalablement la vaisselle comportant des saletés brûlées, collées ou farineuses. Consulter la section Matériaux de la vaisselle pour de plus amples renseignements sur l'adaptation de la vaisselle.

Charger uniquement les articles lavables au lave-vaisselle. Charger la vaisselle dans les paniers de sorte à orienter l'intérieur des bols, marmites et casseroles vers les bras gicleurs. Éviter que les articles ne s'emboîtent les uns dans les autres et éviter qu'ils ne se touchent. Séparer les articles de métal différent.

## Chargement du panier supérieur

S'assurer que les articles ne dépassent pas du fond des paniers et qu'ils ne bloquent pas les bras gicleurs.  
*Remarque : lorsque vous poussez le panier supérieur à l'intérieur du lave-vaisselle, faites en sorte qu'il bute contre la paroi arrière de la cuve afin que le bras gicleur du panier supérieur se branche sur la conduite d'alimentation d'eau à l'arrière de la cuve. Ne pas pousser les paniers avec la porte.*

## Chargement du panier inférieur

Disposer les articles volumineux dans le panier inférieur. Charger les marmites, casseroles et bols à l'envers.

## Déchargement du lave-vaisselle

Lorsque vous déchargez le lave-vaisselle, il est préférable de vider tout d'abord le panier inférieur. Vider ensuite le panier à couverts puis le panier supérieur.

### AVIS

Pour éviter d'endommager le lave-vaisselle, ne pas charger d'articles en papier, sacs en plastique, matériaux d'emballage ou d'articles autres que la vaisselle et les ustensiles de cuisine normaux lavables au lave-vaisselle.

#### Configuration de chargement suggérée - Panier à couverts flexible

Panier supérieur

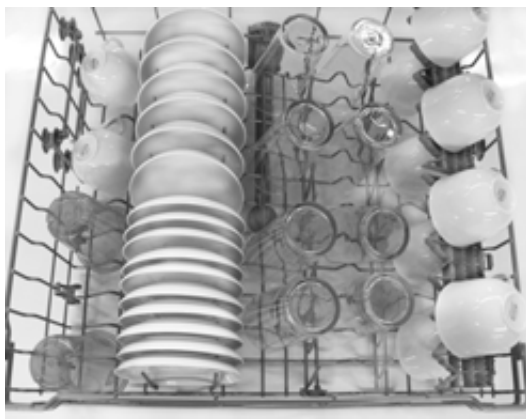


Panier inférieur



#### Configuration de chargement supplémentaire - Panier à couverts flexible (10 couverts)

Panier supérieur



Panier inférieur



# Chargement du panier à couverts

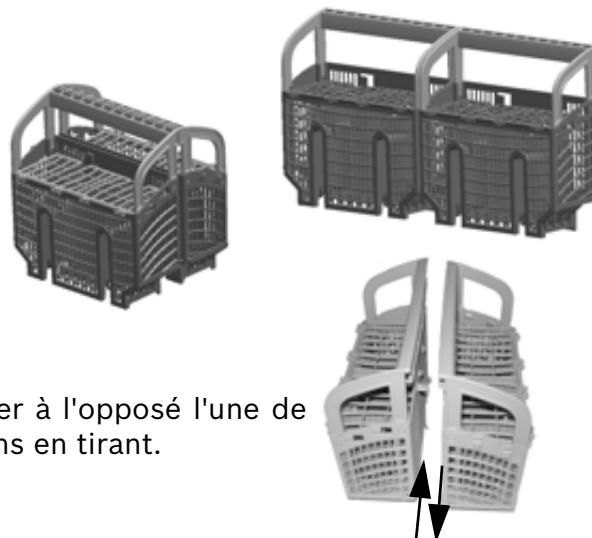
Disposer les couteaux et ustensiles tranchants le MANCHE VERS LE HAUT et les fourchettes et cuillers le manche vers le bas. Si vous mettez des articles volumineux ou de forme irrégulière dans le panier à couverts, assurez-vous qu'ils ne s'emboîtent pas les uns dans les autres.

## ⚠ AVERTISSEMENT

Les pointes et lames tranchantes des couteaux et autres types d'ustensiles tranchants peuvent occasionner des blessures graves. Ne pas laisser les enfants manier les couteaux et autres ustensiles tranchants ou jouer à proximité.

### Le panier à couverts flexible

Ce panier se sépare en deux dans le sens de la longueur, donnant ainsi deux paniers qui peuvent être placés à plusieurs endroits du panier inférieur. Ceci améliore considérablement la souplesse de chargement du panier inférieur. Les deux parties du panier s'enclenchent dos à dos ou côte à côte comme indiqué ci-dessous.



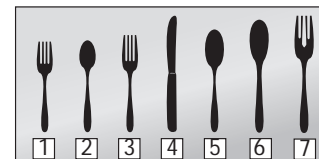
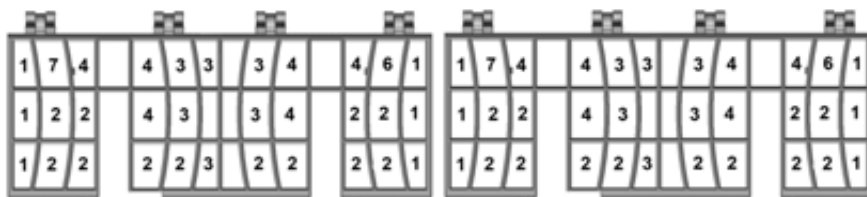
### Pour séparer le panier à couverts flexible en deux parties

Saisissez le panier et faites glisser les deux parties du panier à l'opposé l'une de l'autre, comme indiqué à droite, puis séparez les deux sections en tirant.

### Options de positionnement du panier flexible



### Configuration de chargement pour paniers à couverts flexibles



- 1- fourchette à salade
- 2- cuillère à thé
- 3- fourchette de table
- 4- couteau
- 5 - cuillère à soupe
- 6 - cuillère à servir
- 7 - fourchette de service

Le couvercle du panier peut également être enclenché par pression sur l'anse pour que le panier reste ouvert.

# Accessoires des paniers

## Support pour bouteille

Permet de maintenir en place les bouteilles ou vases de forme haute dans le panier inférieur. C'est une pièce amovible offrant une très grande flexibilité. Toujours vérifier que le bras gicleur supérieur ne touche aucune partie de ces articles dans le panier inférieur.

Pour enlever le support de bouteille, séparez les deux sections du support jusqu'à ce que ce dernier soit dégagé du panier. Pour le déplacer ailleurs, enlevez-le comme décrit ci-dessus et maintenez écartés les côtés. Enclenchez les deux extrémités du support sur le panier à un endroit différent. Voir la **Figure 1**.



Figure 1

## Asperseur pour articles de grande taille

Si un article est trop grand pour être placé dans le panier inférieur, même si le panier supérieur est en position relevée, enlevez le panier supérieur vide en le tirant hors du lave-vaisselle jusqu'à la butée. Poussez la partie avant du panier vers le haut et l'extérieur jusqu'à ce que les galets se dégagent complètement des glissières.

Mettez le panier supérieur en réserve. Repoussez les glissières à galets à l'intérieur du lave-vaisselle. Introduisez l'asperseur pour les articles de grande taille dans la sortie de pulvérisation et faites pivoter l'asperseur dans le sens horaire pour le mettre en position de blocage. Voir la **Figure 2**.

*Remarque : afin d'éviter d'obstruer l'évent sur le côté droit de la cuve, disposez les grands articles telles que les planches à découper en plastique et les grandes tôles à biscuits du côté gauche du panier inférieur, ou au centre.*

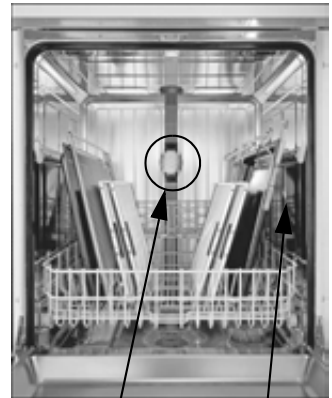


Figure 2  
Ne pas bloquer l'évent

## AVIS

Pour éviter d'endommager le lave-vaisselle, ne pas réinstaller le panier supérieur sans retirer l'asperseur pour articles de grande taille.

Figure 3

## Picots rabattables

Les paniers comportent des picots qui peuvent être repliés en fonction des articles devant être placés dans le lave-vaisselle. Pour rabattre un picot, saisissez-le et dégagez-le de l'encoche. Poussez-le vers le bas pour le mettre dans la position voulue comme indiqué à la **Figure 3**.



## Panier supérieur à hauteur réglable RackMatic™

Le panier supérieur peut être relevé ou abaissé pour laisser davantage d'espace aux articles de grande taille dans l'un ou l'autre des paniers. Voir la **Figure 4**.

*Remarque : Avant de pousser le panier supérieur à l'intérieur du lave-vaisselle, s'assurer que la hauteur est la même des deux côtés. Si la hauteur n'est pas la même des deux côtés, vous ne pourrez pas fermer la porte du lave-vaisselle et le bras gicleur du panier supérieur ne sera pas branché sur l'orifice d'arrivée d'eau.*

Pour abaisser le panier supérieur :

- 1 Tirez le panier supérieur hors du lave-vaisselle jusqu'à la butée.
- 2 Appuyez sur les poignées du panier supérieur à hauteur réglable Rackmatic vers l'intérieur et laissez tomber le panier doucement.

Pour relever le panier supérieur :

- 1 Tirez le panier supérieur hors du lave-vaisselle jusqu'à la butée.
- 2 Saisissez la partie supérieure du panier, au-dessus des poignées du panier Rackmatic, et poussez celle-ci vers le haut jusqu'à ce que les poignées bloquent le panier en position (il n'est pas nécessaire d'appuyer sur les poignées pour soulever le panier).

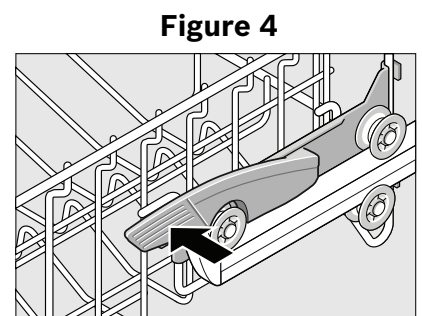


Figure 4

# Ajout de détergent et d'agent de rinçage

## Détergent

Utiliser uniquement un détergent spécialement conçu pour les lave-vaisselle. Pour de meilleurs résultats, utiliser un détergent pour lave-vaisselle en poudre frais.

### AVIS

Pour éviter d'endommager le lave-vaisselle, ne pas utiliser de détergent pour le lavage de la vaisselle à la main.

Pour éviter d'endommager le lave-vaisselle, ne pas utiliser trop de détergent si vous disposez d'une eau douce. Si vous employez une quantité trop importante de détergent dans une eau douce, vous risqueriez de rayer la verrerie.

Ce lave-vaisselle utilise moins d'eau. Par conséquent, moins de détergent est nécessaire. Avec de l'eau douce, 1 c. à soupe (15 ml) de détergent nettoie la plupart des charges. Le godet du distributeur de détergent comporte des lignes graduées pour mesurer le détergent comme suit : 1 c. à soupe (15 ml) et 1 3/4 c. à soupe (25 ml). 3 c. à soupe (45 ml) de détergent rempliront complètement le godet du distributeur de détergent.

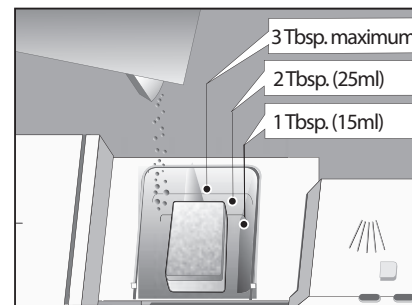
*Remarque : si vous ne connaissez pas le degré de dureté de l'eau de votre réseau d'alimentation, utilisez 15 ml de détergent. Augmentez la quantité de détergent au besoin pour atteindre la quantité minimale nécessaire pour laver correctement votre vaisselle.*

Utilisez les lignes graduées du godet du distributeur de détergent comme guide pour mesurer la quantité de détergent recommandée au **tableau 1**.

### Ajout de détergent

- 1 c. à soupe (15 ml) nettoie la plupart des charges (voir la **Figure 5**).
- Ne pas utiliser plus de 3 c. à soupe (45 ml).
- Ne pas trop remplir le distributeur de détergent.
- Si vous utilisez des pastilles de détergent, posez-les à plat pour éviter qu'elles n'entrent en contact avec le couvercle.

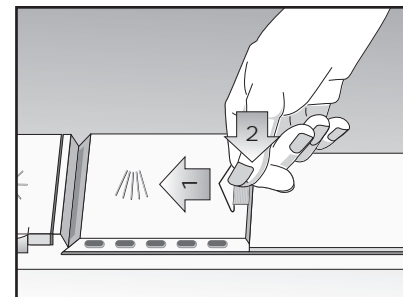
Figure 5



### Fermeture

- Placer le doigt comme indiqué à la **Figure 6**.
- Faire coulisser le couvercle complètement vers la gauche.
- Pousser l'arrière du couvercle vers le bas, fermement, jusqu'à ce que celui-ci s'enclenche.

Figure 6



### Ouverture

- Pour ouvrir le couvercle, appuyer sur le bouton bleu vers l'intérieur (et non pas vers le bas) comme indiqué à la **Figure 7**.
- Le couvercle s'ouvrira.

Figure 7

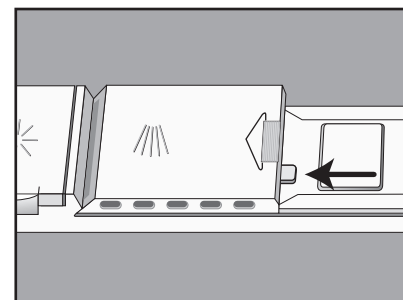


Tableau 1 - Quantité de détergent recommandée

Programme de lavage	Eau dure/ Saletés importantes	Eau moyenne/ Saletés moyennes	Eau douce/ Saletés légères/ avec option demi-charge
Heavy	45ml (3tbsp)	45ml (3tbsp)	25-45ml (1.75-3tbsp)
Auto	25-45ml (1.75-3tbsp)	25ml (1.75tbsp)	15-25ml (1-1.75tbsp)
Delicate	25ml (1.75tbsp)	15-25ml (1-1.75tbsp)	15ml (1tbsp)
Normal	25-45ml (1.75-3tbsp)	25ml (1.75tbsp)	15-25ml (1-1.75tbsp)
Express	25ml (1.75tbsp)	15-25ml (1-1.75tbsp)	15ml (1tbsp)
Rinse	None	None	None

## Agent de rinçage

Pour obtenir un séchage adéquat, toujours utiliser un agent de rinçage liquide, même si votre détergent contient déjà un agent de rinçage ou un adjuvant de séchage.

*Remarque : Le lave-vaisselle indique le manque d'agent de rinçage en allumant le témoin indicateur Agent de rinçage. ✱  
Si ce témoin est allumé, vous devez remplir le distributeur d'agent de rinçage en suivant les consignes ci-dessous.*

### Ajout de l'agent de rinçage

Ouvrir le réservoir de l'agent de rinçage et ajouter le liquide de rinçage dans le distributeur en versant sur la flèche.

Tourner la flèche pour régler la quantité d'agent de rinçage à utiliser (voir la **Figure 8**).

Essuyer tout débordement d'agent de rinçage pouvant se produire lorsque le réservoir est plein.

Le voyant s'éteindra quelques instants après la fermeture de la porte du lave-vaisselle.

**Figure 8**



1 2 3 4 5 6

Pour réduire les films d'eau sur le verre

Pour réduire les taches sur le verre



# Programmes et options du lave-vaisselle

## Programmes de lavage

**Heavy (Lavage intense)** : donne les meilleurs résultats pour éliminer les aliments collés ou la graisse. Habituellement, on doit faire tremper cette vaisselle.

**Auto (Lavage Automatique)** : grâce à notre dispositif très complexe de détection du degré de saleté, ce programme est idéal pour les charges mixtes avec des quantités de saletés alimentaires variables. Ce programme est le plus souple et un choix excellent pour tous les jours.

**Delicate (Lavage délicat)** : pour la vaisselle délicate ou ancienne ainsi que l'argenterie ou autres pièces spéciales. Toujours s'assurer que les articles sont lavables au lave-vaisselle. Se reporter à la section Matériaux de la vaisselle du présent guide pour des renseignements supplémentaires. Le lavage à la main reste parfois la meilleure façon de laver ce type d'articles.

**Normal (Lavage normal)** : permet de laver parfaitement une pleine charge de vaisselle normalement sale.


*Remarque : L'Étiquette du Guide d'Énergie a été établie en fonction de ce programme de détection de la saleté avec toutes les options disponibles désactivées. Conformément à la procédure d'essai d'énergie, l'appareil a été testé sans verser un agent de rinçage dans le distributeur. Une seule dose de détergent a été utilisée dans le distributeur de détergent et aucun détergent n'a été utilisé pendant la phase de prélavage. L'essai a été effectué avec le panier supérieur en position abaissée.*

**Express (Lavage rapide)** : permet de laver la vaisselle légèrement sale et réduit la durée totale de lavage. Utiliser ce programme pour laver les verres et les assiettes à dessert devant être réutilisées au cours du même événement.

**Rinse (Rinçage)** : vous permet de rincer la vaisselle sale d'une charge partielle et de la mettre en attente dans le lave-vaisselle jusqu'à ce que celui-ci soit plein et que vous soyez prêt à lancer le programme.

## Option des programmes de lavage

**Delay Start (Mise en marche différée)** : cette option vous permet de retarder l'heure de mise en marche de votre lave-vaisselle jusqu'à 19 heures.

**Sanitize (Désinfection)** : La fonction Désinfecter est offerte uniquement avec les programmes de lavage intense, automatique et normal. Appuyer sur la touche « Sanitize Option » (Option désinfection) pour activer les fonctions de désinfection au cours des programmes. Lorsque le symbole « Sanitized » apparaît  sur les modèles disposant d'un écran, la vaisselle et les ustensiles de cuisine qui viennent d'être lavés ont été désinfectés. Les procédés techniques de désinfection peuvent également améliorer les résultats de séchage.

*Remarque : le lave-vaisselle passe en mode de lavage automatique par défaut lorsqu'il est éteint puis rallumé. Si vous avez programmé l'option de désinfection lors du programme précédent, le lave-vaisselle passera en mode de lavage automatique par défaut avec l'option de désinfection sélectionnée lorsque vous le mettez en marche.*

**Half Load (Demi-charge)** : les programmes de lavage Intense, Intuitif et Normal comportent une option Demi-charge qui permet de réduire la consommation d'énergie et d'eau lors du lavage d'une petite quantité de vaisselle légèrement sale qui remplit à peu près la moitié du lave-vaisselle. Pour activer cette option, sélectionner la touche Half Load (Demi-charge) en plus de l'un des trois programmes cités précédemment.

# Informations sur les programmes de lavage

Remarque : afin d'économiser de l'énergie, ce lave-vaisselle est équipé d'un dispositif intuitif « Smart Control » dont les capteurs règlent automatiquement la durée du programme, la température et les changements d'eau en fonction du degré de saleté et de la température de l'eau entrante. Le dispositif de contrôle intuitif ajuste la durée du programme et la quantité d'eau utilisée de façon intermittente. **Les durées de programmes de lavage sont fonction d'une température de l'eau d'alimentation de 120 °F (48,8 °C).** Si la température de l'eau d'alimentation de votre résidence est supérieure à 120 °F (48,8 °C), le temps de chauffage de votre lave-vaisselle peut s'en trouver réduit et le voyant ou symbole « Désinfecté » peut ne pas s'allumer.

Tableau 2 - Informations sur les programmes de lavage

	Heavy Wash	Auto Wash	Normal Wash	Delicate Wash	Express Wash	Rinse & Hold
durée du programme	135 min	95-119 min	115 min	80 min	30 min	9 min
durée du programme avec Demi-charge	115 min	99 min	90 min	not available	not available	not available
durée du programme avec Désinfection	135 min	105-135 min	125 min	not available	not available	not available
consommation d'eau	23.2-27.4 L 6.1-7.2 gal	10.4-22.5 L 2.7-5.9 gal	8.9-18.3L 2.4-4.8 gal	13.1 L 3.5 gal	13.1 L 3.5 gal	4.7 L 1.2 gal
température de l'eau	66-72°C 151-162°F	55-72°C 126-162°F	50-69°C 122-156°F	50°C 122°F	45-72°C 113-162°F	no wash
température de rinçage	72°C 162°F	65-72°C 156-162°F	45-69°C 113-156°F	69°C 156°F	50°C 122°F	incoming water temp.

Remarque : seuls les programmes sanitaires sont prévus pour satisfaire aux exigences de niveau 6 en matière d'efficacité d'élimination des saletés et de désinfection. Il n'existe aucune intention, directe ou indirecte, que tous les programmes aient réussi les tests de performance en désinfection.

## Fonctionnement du lave-vaisselle

### Démarrez le lave-vaisselle :

- 1 Ouvrez la porte et appuyez sur la touche **On/Off** (Marche/Arrêt).
- 2 Sélectionnez un programme et les options voulues.
- 3 Fermez la porte pour que le programme démarre.

### Mise en marche différée :

- 1 Ouvrez la porte et appuyez sur la touche **On/Off** (Marche/Arrêt).
- 2 Sélectionnez un programme.
- 3 Appuyez sur la touche **Delay Start** (Mise en marche différée) et maintenez-la enfoncée. Relâchez cette touche lorsque le délai d'attente souhaité est affiché sur la fenêtre de l'écran.
- 4 Fermez la porte pour faire démarrer le programme.

### Pour annuler un programme :

- 1 Ouvrez la porte du lave-vaisselle juste assez pour exposer le panneau de commande. Faites attention à l'eau qui risque de jaillir hors du lave-vaisselle
- 2 Appuyez sur les deux touches **Cancel/Reset** (Annuler/Réinitialiser) et maintenez-les enfoncées pendant 3 secondes.
- 3 Fermez la porte et patientez environ 1 minute pour que le lave-vaisselle puisse se vidanger.
- 4 Ouvrez la porte et appuyez sur la touche **On/Off** (Marche/Arrêt). Vous pouvez maintenant lancer un nouveau programme.



## AVERTISSEMENT

Si vous laissez l'eau jaillir hors du lave-vaisselle, vous risquez de vous brûler gravement. SOYEZ VIGILANT EN OUVRANT LA PORTE pendant le déroulement d'un programme de lavage ou de rinçage. Ne pas ouvrir la porte entièrement tant que l'eau ne s'est pas arrêtée de couler.

## Pour interrompre un programme :

- 1 Ouvrez la porte du lave-vaisselle juste assez pour exposer le panneau de commande. Faites attention à l'eau qui risque de jaillir hors du lave-vaisselle.
- 2 Appuyez sur la touche **On/Off** (Marche/Arrêt) pour éteindre l'appareil.
- 3 Patientez au moins 10 secondes avant d'ouvrir entièrement la porte du lave-vaisselle.
- 4 Pour poursuivre le programme, appuyez sur la touche **On/Off** (Marche/Arrêt) et fermez la porte du lave-vaisselle.

## Chaleur très intense :

- 1 Appuyez sur la touche **Auto** et maintenez-la enfoncée, puis appuyez sur la touche **On/Off** (Marche/Arrêt) et maintenez celle-ci enfoncée.
- 2 Lorsque la fenêtre d'affichage DEL indique « 0 » ou « 1 », relâchez les deux touches.
- 3 Pour activer l'option Extra Dry Heat (Chaleur très intense), appuyez sur la touche **Auto** jusqu'à ce que l'écran indique « 1 ».
- 4 Pour désactiver l'option Extra Dry Heat (Chaleur très intense), appuyez sur la touche **Auto** jusqu'à ce que l'écran indique « 0 ».
- 5 Appuyez sur la touche **On/Off** (Marche/Arrêt) pour enregistrer le paramètre.

## Signal de fin de programme

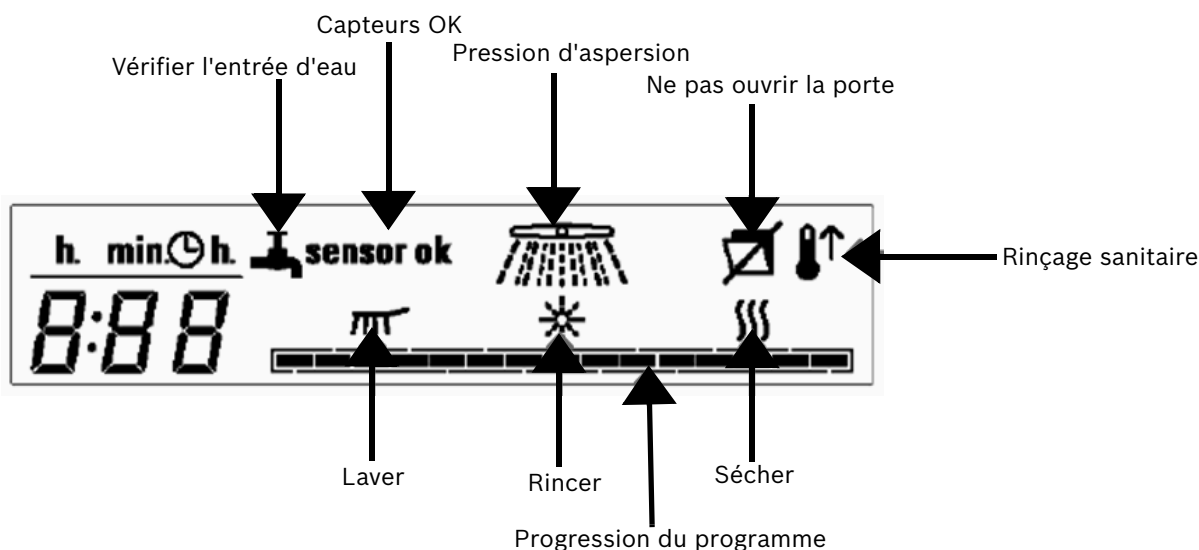
Le signal de fin de programme vous indique que le programme est terminé et que la vaisselle est propre et sèche. Vous pouvez désactiver le signal sonore ou ajuster le volume de ce signal.

*REMARQUE : l'appareil doit être mis à l'arrêt (OFF) avant l'activation.*

Pour activer :

- 1 Appuyez sur le bouton de droite « **Cancel Reset** » (Annuler/Réinitialiser) et maintenez-le enfoncé, puis appuyez et maintenez enfoncé le bouton **On/Off** (Marche/Arrêt).
- 2 Lorsque le voyant du bouton « **Cancel Reset** » (Annuler/Réinitialiser) sur lequel vous appuyez s'allume et que le signal sonore s'arrête, relâchez les deux boutons.
- 3 Appuyez sur le bouton « **Cancel/Reset** » (Annuler/Réinitialiser), à l'extrême droite, jusqu'à ce que vous obteniez le volume sonore désiré ou jusqu'à ce qu'aucun son ne soit audible (réduction maximale du son).
- 4 Appuyez sur le bouton **On/Off** (Marche/Arrêt). Le paramètre est sauvegardé.

## SHE68R5xUC et SHX68R5xUC touche de l'affichage avant:



# Nettoyage et entretien

## Opérations d'entretien

Certaines parties du lave-vaisselle nécessitent un entretien occasionnel. Les opérations d'entretien sont faciles à effectuer et permettent d'obtenir continuellement un excellent rendement de votre lave-vaisselle.

### Nettoyage des débordements et des éclaboussures

De l'eau peut parfois jaillir de votre lave-vaisselle, surtout si vous interrompez un programme ou ouvrez la porte pendant le déroulement d'un programme. Pour éviter d'endommager le plancher et la formation d'éventuelles moisissures, ne laissez aucune trace d'eau sur le sol adjacent au lave-vaisselle ou sous celui-ci.

### Nettoyage de l'intérieur de la cuve et de la porte en acier inoxydable

Nettoyez régulièrement les rebords extérieurs du panneau de porte intérieur afin d'éliminer les débris qui peuvent s'y loger par suite du chargement normal de votre lave-vaisselle. Si des taches commencent à apparaître sur l'acier inoxydable, vérifiez le niveau de l'agent de rinçage et qu'il se déverse normalement.

### Inspection et nettoyage des embouts des bras gicleurs

Déposez le bras gicleur supérieur en enlevant tout d'abord le panier supérieur vide du lave-vaisselle.

Renversez le panier. Le bras gicleur supérieur est maintenu en place à l'aide d'un écrou de blocage comme indiqué à la **Figure 9**. Faites tourner l'écrou de blocage dans le sens antihoraire et enlevez-le pour dégager le bras gicleur. Vérifiez la présence d'obstructions dans les embouts du bras gicleur. Si ces derniers ont besoin d'être nettoyés, rincez-les à l'eau courante.

Pour remettre en place le bras gicleur supérieur, remettez-le dans sa position initiale et remettez l'écrou de blocage en place. Tournez l'écrou de blocage dans le sens horaire et serrez-le à fond. Remettez le panier supérieur en place sur les glissières à galets.

Déposez le bras gicleur inférieur en enlevant tout d'abord le panier inférieur vide du lave-vaisselle. Saisissez et soulevez le bras gicleur comme indiqué à la **Figure 10**. Vérifiez la présence d'obstructions dans les embouts du bras gicleur. Si ces derniers ont besoin d'être nettoyés, rincez-les à l'eau courante.

Pour remettre en place le bras gicleur inférieur, remettez-le dans sa position d'installation et appuyez dessus jusqu'à ce qu'il s'enclenche. Remettez le panier inférieur dans sa position d'installation.

### Inspection et nettoyage du système de filtration

Le système de filtration est constitué d'un ensemble crépine de filtrage des gros déchets/filtre cylindrique, d'un filtre fin et d'un micro-filtre. Ce système se situe à l'intérieur de votre lave-vaisselle sous le panier inférieur et il est facile d'y accéder. Dans le cadre d'une utilisation normale du lave-vaisselle, le système de filtration se nettoie automatiquement. Inspectez de temps à autre le système de filtration pour déceler la présence de corps étrangers et, au besoin, nettoyez-le.

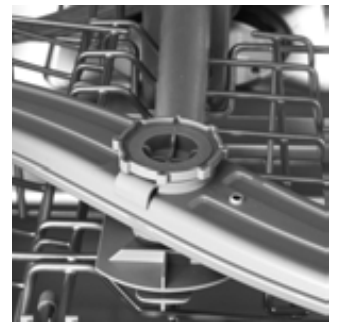


Figure 9



Figure 10

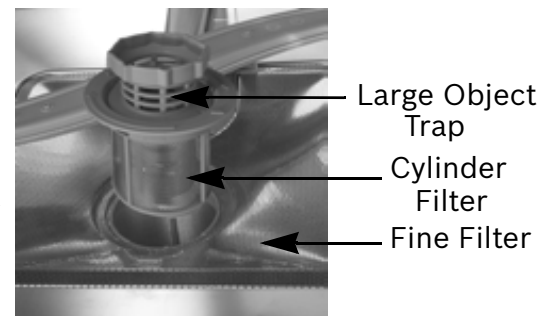


Figure 11

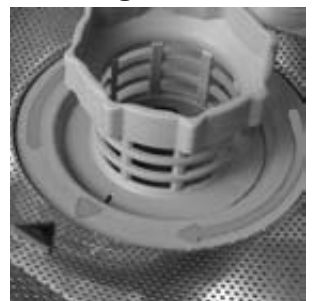
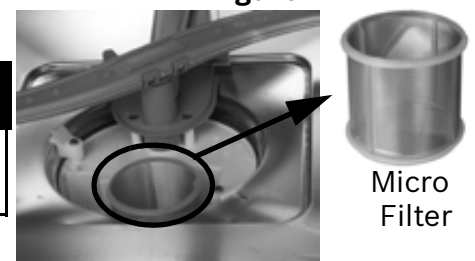


Figure 12



Micro Filter



## MISE EN GARDE

Pour éviter toute blessure, ne pas glisser les doigts dans la crépine de filtrage des gros déchets.

Pour déposer la crépine de filtrage des gros déchets, enlevez tout d'abord le panier inférieur. Saisissez l'ensemble et tournez-le dans le sens antihoraire. Soulevez l'ensemble et sortez-le.

Examinez soigneusement l'ensemble. Si vous apercevez des corps étrangers dans la crépine de filtrage des gros déchets, retournez-la et secouez-la pour en faire tomber les déchets

Enlevez le micro-filtre comme indiqué à la **Figure 12**.

Rincez le micro-filtre et le filtre fin en les maintenant sous l'eau courante.

Pour remettre le système de filtration en place, remettez le micro-filtre dans sa position d'installation. Mettez l'ensemble crépine de filtrage des gros déchets/Filtre cylindrique et le filtre fin dans leur position d'installation. Vissez l'écrou de blocage dans le sens horaire jusqu'à ce qu'il soit bloqué. La flèche de l'anneau et la flèche du filtre fin doivent être orientées l'une vers l'autre.

### **Nettoyage du panneau de porte extérieur**

Portes avec panneaux de couleur : utilisez uniquement un chiffon doux humecté d'eau savonneuse.

Portes en acier inoxydable : utilisez un chiffon doux et un produit d'entretien non abrasif (un vaporisateur liquide de préférence) spécialement conçu pour le nettoyage de l'acier inoxydable. Pour de meilleurs résultats, appliquez le produit d'entretien pour acier inoxydable sur le chiffon, puis essuyez la surface.

### **Nettoyage du joint de porte**

Nettoyez régulièrement le joint de porte avec un chiffon humide afin d'éliminer les particules alimentaires et autres débris. Nettoyez également le joint de porte situé à l'intérieur du lave-vaisselle au bas de la porte.

### **Préparation de votre appareil pour l'hiver**

Si votre lave-vaisselle n'est pas utilisé pendant une longue période de temps dans une région où sévissent des températures glaciales (p. ex. une maison de vacances ou lors d'une période de congés), demandez à un service professionnel autorisé d'assurer l'entretien pré-hivernal de l'appareil. Coupez l'alimentation en eau du lave-vaisselle lors de vacances prolongées ou si vous ne devez pas utiliser l'appareil pendant 1 mois ou plus.

# Aide automatique

Les lave-vaisselle peuvent parfois poser des problèmes qui ne sont pas liés à un mauvais fonctionnement de l'appareil lui-même. Les informations suivantes peuvent vous aider à résoudre un problème que vous pose le lave-vaisselle sans avoir recours à un technicien de réparation professionnel.

Problème	Cause	Action à prendre
Le lave-vaisselle ne se met pas en marche	<ol style="list-style-type: none"><li>1. La porte est peut-être mal enclenchée.</li><li>2. L'appareil n'est peut-être pas allumé.</li><li>3. La machine n'a pas été réinitialisée ou le programme précédent n'est pas terminé.</li><li>4. La mise en marche différée est activée.</li><li>5. Interruption de l'alimentation électrique du lave-vaisselle ou fusible ayant sauté.</li><li>6. La porte a peut-être été fermée avant d'avoir choisi le programme.</li><li>7. Le robinet d'alimentation en eau n'est peut-être pas ouvert.</li></ol>	<ol style="list-style-type: none"><li>1. Fermez complètement la porte.</li><li>2. Appuyez sur le commutateur principal pour allumer la machine.</li><li>3. Pour réinitialiser la machine, reportez-vous à la section de ce guide intitulée « Annulation ou modification du programme ».</li><li>4. Pour réinitialiser la machine, reportez-vous à la section de ce guide intitulée « Mise en marche différée ».</li><li>5. Vérifiez le disjoncteur.</li><li>6. Sélectionnez un programme et fermez la porte.</li><li>7. Vérifiez et ouvrez le robinet d'alimentation en eau.</li></ol>
Le lave-vaisselle émet un bip sonore (signal de fin de programme)	<ol style="list-style-type: none"><li>1. Les paramètres usine par défaut avertissent l'utilisateur que le programme de lavage est terminé en émettant un bip sonore. Cette fonction peut être désactivée au besoin.</li></ol>	<ol style="list-style-type: none"><li>1. Pour régler le volume sonore ou désactiver cette fonction, reportez-vous à la section de ce guide intitulée « Signal de fin de programme ».</li></ol>
L'afficheur ne s'allume pas	<ol style="list-style-type: none"><li>1. Un fusible a peut-être sauté ou le disjoncteur s'est déclenché.</li><li>2. La porte est mal fermée ou mal enclenchée.</li></ol> <p>Remarque : pour les modèles équipés de commandes situées sur la partie supérieure de la porte, l'afficheur ne s'allume que lorsque la porte est ouverte et les commandes sont visibles.</p>	<ol style="list-style-type: none"><li>1. Vérifiez le fusible ou le boîtier de disjoncteurs et remplacez le fusible ou réarmez le disjoncteur le cas échéant.</li><li>2. Assurez-vous que la porte est correctement enclenchée et complètement fermée.</li></ol>
Le programme de lavage semble durer trop longtemps	<ol style="list-style-type: none"><li>1. L'eau qui alimente le lave-vaisselle n'est pas assez chaude.</li><li>2. La durée du programme peut varier en fonction de la saleté de la vaisselle et de la qualité de l'eau.</li><li>3. Le distributeur de produit de rinçage est vide.</li><li>4. Le lave-vaisselle est branché sur une conduite d'eau froide.</li></ol> <p>Remarque : reportez-vous à la section de ce guide intitulée « Informations sur les programmes de lavage » pour obtenir la durée de programme type.</p>	<ol style="list-style-type: none"><li>1. Avant de démarrer un programme, faites couler le robinet d'eau chaude de l'évier le plus proche du lave-vaisselle.</li><li>2. Les capteurs du lave-vaisselle augmentent automatiquement la durée du programme pour une vaisselle bien propre en cas de détection d'une quantité importante de saletés sur la vaisselle.</li><li>3. Versez le produit de rinçage dans le distributeur.</li><li>4. Vérifiez que le lave-vaisselle est bien raccordé à la tuyauterie d'arrivée d'eau chaude.</li></ol>
La vaisselle est mal lavée	<ol style="list-style-type: none"><li>1. Quelque chose empêche le bras de lavage de tourner.</li><li>2. Quelque chose bouche les jets du bras d'aspersion.</li><li>3. Mauvaise utilisation des détergents.</li><li>4. Les filtres sont peut-être bouchés.</li><li>5. Les pièces de vaisselle sont imbriquées les unes dans les autres ou disposées trop près les unes des autres.</li><li>6. Le programme de lavage choisi ne convient pas aux conditions de saleté de la vaisselle.</li></ol>	<ol style="list-style-type: none"><li>1. Assurez-vous que le mouvement de rotation des bras d'aspersion n'est pas bloqué en faisant pivoter ces derniers à la main.</li><li>2. Retirez les bras d'aspersion et nettoyez-les en suivant les consignes du paragraphe figurant dans la section de ce guide intitulée « Nettoyage et entretien ».</li><li>3. Augmentez ou diminuez la quantité de détergent selon la dureté de l'eau. Reportez-vous au tableau 1.</li><li>4. Nettoyer les filtres. Reportez-vous la section de ce guide intitulée « Nettoyage et entretien ».</li><li>5. Changez la disposition de la vaisselle afin que le jet d'eau puisse asperger correctement toutes les pièces. Reportez-vous également la section de ce guide intitulée « Chargement de la vaisselle ».</li><li>6. Reportez-vous également à « Programme de lavage » dans la section de ce guide intitulée « Fonctionnement du lave-vaisselle ».</li></ol>
La vaisselle n'est pas bien sèche	<ol style="list-style-type: none"><li>1. Le distributeur de produit de rinçage est vide. (Le voyant du produit de rinçage est activé).</li><li>2. Mauvais chargement de la vaisselle.</li><li>3. Le programme choisi ne comprend pas le séchage.</li></ol> <p>Remarque : en général, les ustensiles en plastique et en Téflon ne sèchent pas aussi bien que d'autres ustensiles en raison des propriétés inhérentes à ces types de matériaux.</p>	<ol style="list-style-type: none"><li>1. Versez le produit de rinçage dans le distributeur. L'utilisation d'un produit de rinçage améliore le séchage.</li><li>2. Changez la disposition de la vaisselle pour veiller à ce que les articles ne soient pas imbriqués les uns dans les autres. Reportez-vous également à la section de ce guide intitulée « Chargement de la vaisselle ».</li><li>3. Le paramètre Rinçage et attente ne comprend pas de programme de séchage.</li></ol>

Problème	Cause	Action à prendre
Odeur	<ol style="list-style-type: none"> <li>Des déchets alimentaires se sont accumulés au fond du lave-vaisselle.</li> <li>Des particules d'aliments se sont accumulées près du joint d'étanchéité de la porte.</li> <li>La vaisselle est restée trop longtemps dans le lave-vaisselle avant le lancement d'un programme.</li> <li>De l'eau résiduelle s'est accumulée au fond du lave-vaisselle.</li> <li>Le tuyau de vidange est obstrué.</li> </ol>	<ol style="list-style-type: none"> <li>Retirez les filtres et nettoyez-les conformément à la section de ce guide intitulée « Nettoyage et entretien ».</li> <li>Reportez-vous à « Nettoyage et entretien » dans la section de ce guide.</li> <li>Si vous n'avez pas l'intention de laver la vaisselle immédiatement, lancez le programme Rinse/Hold (Rinçage/Attente).</li> <li>Assurez-vous que l'opération de vidange du programme précédent est complètement terminée.</li> <li>Pour éliminer les objets pouvant obstruer le tuyau de vidange, faites appel à un personnel qualifié.</li> </ol> <p>Remarque : si les problèmes d'odeur persistent, lancez le programme de lavage Normal/Regular (Normal) jusqu'au rinçage puis interrompez le programme et versez une tasse de 255 ml (8 oz) de vinaigre blanc distillé sur le panier supérieur. Terminez ensuite le programme.</p>
Le lave-vaisselle ne se remplit pas d'eau	<ol style="list-style-type: none"> <li>Obstruction au niveau du réseau d'alimentation en eau.</li> <li>Le programme de lavage précédent n'est pas terminé.</li> <li>La fonction de mise en marche différée est activée.</li> <li>L'alimentation en eau domestique est coupée</li> </ol>	<ol style="list-style-type: none"> <li>Assurez-vous que le robinet d'arrivée d'eau (en général situé sous l'évier de la cuisine) est ouvert et vérifiez que la conduite d'alimentation n'est ni pliée ni bouchée.</li> <li>Reportez-vous à la section de ce guide intitulée « Fonctionnement du lave-vaisselle ».</li> <li>Annulez la mise en marche différée ou attendez que la période de mise en marche différée soit terminée ou que ce délai expire.</li> <li>Ouvrez l'alimentation en eau domestique</li> </ol>
Fuites d'eau	<ol style="list-style-type: none"> <li>Mousse</li> <li>Le joint d'étanchéité peut être sorti de la rainure.</li> <li>L'évent de condensation est bloqué.</li> <li>Mauvaise installation.</li> </ol>	<ol style="list-style-type: none"> <li>Les détergents inadéquats ont tendance à produire de la mousse et à provoquer des fuites. Utilisez uniquement des détergents pour lave-vaisselle. Si le problème de mousse persiste, mettez une cuillère à soupe d'huile végétale au fond du lave-vaisselle et lancez le programme voulu.</li> <li>Assurez-vous que le joint d'étanchéité est bien inséré dans la rainure.</li> <li>Assurez-vous que l'évent de condensation n'est pas bloqué.</li> <li>Faites vérifier l'installation par un personnel qualifié (alimentation en eau, système de vidange, mise à niveau, tuyauterie).</li> </ol>
Taches apparaissant dans la cuve	<ol style="list-style-type: none"> <li>Les taches qui se forment à l'intérieur du lave-vaisselle sont dues à la dureté de l'eau.</li> <li>Les couverts sont en contact avec les parois de la cuve.</li> </ol>	<ol style="list-style-type: none"> <li>L'emploi de jus de citron concentré peut réduire l'accumulation de taches d'eau dure. Lancez un programme de lavage normal jusqu'au rinçage puis interrompez le programme et versez une tasse de 250 ml (8 oz. liq.) de citron concentré sur le panier supérieur. Terminez ensuite le programme. Ceci peut être fait périodiquement pour prévenir l'accumulation de taches.</li> <li>Assurez-vous que les couverts n'entrent pas en contact avec les parois de la cuve pendant le déroulement d'un programme.</li> </ol>
Apparition de films d'eau sur les verres ou de résidus sur la vaisselle	<ol style="list-style-type: none"> <li>Mauvais dosage du produit de rinçage.</li> </ol>	<ol style="list-style-type: none"> <li>Réglez le distributeur du produit de rinçage en fonction de la dureté de l'eau. Pour des informations sur le dosage, reportez-vous à la section de ce guide intitulée « Ajout de détergent et de produit de rinçage ».</li> </ol>
Le panneau avant est décoloré ou rayé	<ol style="list-style-type: none"> <li>Vous avez utilisé un produit d'entretien abrasif</li> </ol>	<ol style="list-style-type: none"> <li>Utilisez des détergents non abrasifs et un linge humide doux.</li> </ol>
Fonctionnement bruyant pendant le déroulement du programme de lavage	<ol style="list-style-type: none"> <li>La vaisselle n'est pas correctement disposée.</li> </ol>	<ol style="list-style-type: none"> <li>Les sons correspondant à la circulation de l'eau sont normaux, mais si vous soupçonnez que des pièces de vaisselle se cognent entre elles ou touchent les bras d'aspersion, reportez-vous à la section du présent guide intitulée « Préparation et chargement de la vaisselle » pour connaître la disposition optimale de la vaisselle.</li> </ol>
Le couvercle du distributeur de détergent ne se ferme pas	<ol style="list-style-type: none"> <li>Mauvais fonctionnement du couvercle du distributeur de détergent.</li> <li>Le programme précédent n'est pas terminé ; réinitialisation ou interruption du programme.</li> </ol>	<ol style="list-style-type: none"> <li>Reportez-vous à la section de ce guide intitulée « Ajout de détergent et de produit de rinçage » pour des instructions sur l'ouverture et la fermeture du distributeur.</li> <li>Reportez-vous à la section de ce guide intitulée « Annulation ou modification du programme ».</li> </ol>
Impossible de sélectionner le programme voulu	<ol style="list-style-type: none"> <li>Le programme précédent n'est pas terminé</li> </ol>	<ol style="list-style-type: none"> <li>Reportez-vous à la section de ce guide intitulée « Annulation ou modification du programme ».</li> </ol>

# Service après-vente

Votre lave-vaisselle Bosch ne requiert aucun entretien spécial autre que celui décrit à la section Nettoyage et entretien du présent guide. En cas de problème avec votre lave-vaisselle, avant de faire appel aux services d'un technicien, reportez-vous à la section Aide automatique du guide. Si un technicien doit intervenir, communiquer avec votre revendeur ou installateur ou avec un service de réparation autorisé. Ne pas tenter de réparer soi-même l'appareil. Toute réparation effectuée par un personnel non autorisé peut être une cause d'annulation de la garantie.

Si votre lave-vaisselle Bosch vous pose un problème et si vous n'êtes pas satisfait du service que vous avez reçu, veuillez effectuer les démarches suivantes jusqu'à ce que votre problème soit résolu à votre entière satisfaction :

- 1 Téléphonnez au 1-800-944-2904
- 2 Communiquez avec le service après-vente à partir de notre site Web :  
*www.bosch-home.com/us or www.bosch-appliances.ca*
- 3 Communiquez avec l'installateur ou le prestataire de service après-vente agréé de Bosch de votre région.
- 4 Écrivez à :

*BSH Home Appliances Corporation  
5551 McFadden Avenue  
Huntington Beach, CA 92649*

Assurez-vous d'inclure les informations sur le modèle ainsi qu'une explication du problème et la date à laquelle il s'est produit.

Vous trouverez le numéro de modèle et le numéro de série sur l'étiquette située sur le bord de la porte du lave-vaisselle.

D'autre part, si vous nous contactez par écrit, veuillez indiquer le numéro de téléphone où l'on peut vous joindre durant la journée.

Veuillez faire une copie de votre facture et conservez-la avec ce guide. Le client doit fournir une preuve d'achat pour bénéficier du service de garantie.



Ce lave-vaisselle Bosch est garanti par le label « Good Housekeeping ». La garantie limitée associée au label « Good Housekeeping » signifie qu'en cas de défectuosité d'un produit portant ce label au cours des deux premières années de l'achat, « Good Housekeeping » remplacera ou remboursera le prix d'achat du produit. Pour des détails, visitez GHSeal.com.



# Informations concernant la garantie

**Ce que couvre cette garantie et à qui elle s'applique :** la garantie limitée fournie par BSH Home Appliances (« Bosch ») dans cet énoncé de garantie limitée de produit s'applique uniquement aux lave-vaisselle Bosch (le « produit ») vendus au client, le premier acheteur utilisateur, à la condition que le produit ait été acheté : (1) Pour votre usage domestique normal (non commercial) et qu'il ait effectivement en tout temps été utilisé uniquement à des fins domestiques normales. (2) À l'état neuf au détail (et non comme un modèle d'exposition, « tel quel » ou ayant déjà été retourné), et non à des fins de revente ou d'utilisation commerciale. (3) Aux États-Unis ou au Canada, et qu'il soit en tout temps demeuré dans le pays de l'achat initial. Les garanties énoncées aux présentes s'appliquent uniquement à l'acheteur initial du produit et ne sont pas cessibles.

• Assurez-vous de renvoyer la carte d'enregistrement ; bien que cette démarche ne soit pas nécessaire pour que la garantie soit valide, c'est la meilleure façon de permettre à Bosch de vous avertir dans l'éventualité improbable d'un avis de sécurité ou d'un retrait de produit du marché.

**Durée de la garantie :** Bosch garantit que le produit est exempt de défauts de matériaux et de fabrication pendant une période de trois cent soixante-cinq (365) jours à compter de la date d'achat. Le délai précité commence à courir à partir de la date d'achat et ne doit pas, pour quelque raison que ce soit, être différé, faire l'objet de droits, être prolongé ou suspendu. Les frais de main d'œuvre et d'expédition sont compris dans la couverture de base.

**Garantie limitée prolongée :** Bosch offre également les garanties limitées supplémentaires suivantes :

• Garantie limitée de cinq (5) ans sur les composants électroniques : Bosch réparera ou remplacera tout microprocesseur ou carte de circuit imprimé Bosch présentant des défauts de matériaux ou de fabrication (frais de main d'œuvre exclus).

• Garantie limitée de cinq (5) ans sur les paniers à vaisselle : Bosch remplacera les paniers à vaisselle supérieur ou inférieur (à l'exclusion des composants du panier), si le panier présente des défauts de matière ou de fabrication (frais de main d'œuvre exclus).

• Garantie à vie contre la rouille de l'acier inoxydable : Bosch remplacera votre lave-vaisselle par un modèle identique ou un modèle courant sensiblement équivalent ou supérieur en termes de fonctionnalité, si le revêtement intérieur est perforé par la rouille (frais de main d'œuvre exclus). Bosch remplacera la porte en acier inoxydable si celle-ci est perforée par la rouille (frais de main d'œuvre exclus).

• Le délai précité commence à courir à partir de la date d'achat et ne doit pas, pour quelque raison que ce soit, être différé, faire l'objet de droits, être prolongé ou suspendu.

**La réparation ou le remplacement du produit constitue votre recours exclusif :** Pendant la période de la présente garantie, Bosch ou l'un de ses prestataires de service après-vente agréés réparera votre produit sans frais de votre part (sous réserve de certaines restrictions précisées aux présentes) s'il s'avère que votre produit a été fabriqué en incorporant un défaut de matériaux ou de fabrication. Si des tentatives raisonnables de réparation du produit ont été effectuées sans succès, Bosch remplacera votre produit (des modèles améliorés peuvent vous être offerts, à la discrétion exclusive de Bosch, moyennant des frais supplémentaires). Toutes les pièces et tous les composants enlevés deviendront la propriété de Bosch à sa discrétion exclusive. Toutes les pièces remplacées et/ou réparées devront être similaires à la pièce d'origine aux fins de la présente garantie et cette garantie ne sera pas prolongée eu égard à ces pièces. En vertu des présentes, Bosch assume la responsabilité et l'obligation exclusives vis-à-vis de la réparation d'un produit comportant un défaut de fabrication uniquement, en ayant recours à un prestataire de services après-vente agréé de Bosch pendant les heures normales de travail. Par souci de sécurité et pour des questions de dommages matériels, Bosch vous recommande vivement de ne pas tenter de réparer vous-même le produit ni d'avoir recours à un dépanneur non agréé ; Bosch ne sera pas responsable et n'assume aucune obligation pour les réparations ou le travail effectués par un dépanneur non agréé. Si vous choisissez de demander à une personne qui n'est pas un prestataire de service après-vente agréé de travailler sur votre produit, LA PRÉSENTE GARANTIE DEVIENDRA AUTOMATIQUEMENT NULLE ET NON AVENUE. Les prestataires de service après-vente agréés sont des personnes ou des sociétés ayant été spécialement formées sur les produits de Bosch et qui jouissent, de l'avis de Bosch, d'une réputation supérieure en matière de service à la clientèle et de compétences techniques (veuillez noter qu'il s'agit d'entités indépendantes et non de mandataires, d'associés, d'affiliés ou de représentants de Bosch). Nonobstant les dispositions précédentes, Bosch n'assumera aucune responsabilité ou obligation en ce qui concerne le produit s'il se trouve dans une région éloignée (à plus de 100 milles d'un prestataire de services après-vente agréé) ou s'il est raisonnablement inaccessible ou s'il se trouve dans un lieu, un milieu ou un environnement dangereux, menaçant ou traître ; auquel cas, sur votre demande, Bosch paiera quand même la main d'œuvre et les pièces et expédiera les pièces au prestataire de services après-vente agréé le plus proche. Toutefois, vous restez quand même entièrement responsable pour et serez dans l'obligation de payer les frais de déplacement ou autres frais spéciaux appliqués par la société de services après-vente, dans l'hypothèse où elle accepte de faire le déplacement en vue d'effectuer la réparation.

**Produit qui n'est plus couvert par la garantie :** Bosch n'est pas tenue, en droit ou autrement, de vous consentir quoi que ce soit, y compris des réparations, des tarifs proportionnels ou un remplacement de produit, après l'expiration de la garantie.

**Exclusions de la garantie :** La couverture de la garantie décrite aux présentes exclut tous les défauts ou dommages qui ne résultent pas d'une faute directe de Bosch, y compris, sans toutefois s'y limiter, un ou plusieurs des éléments suivants : (1) L'utilisation du produit à toute autre fin que son usage normal, habituel et prévu (y compris, sans toutefois s'y limiter, toute forme d'usage commercial, l'usage ou l'entreposage à l'extérieur d'un produit devant être utilisé à l'intérieur, l'utilisation du produit conjointement avec un aéronef ou un bateau). (2) La conduite répréhensible volontaire, la négligence, la mauvaise utilisation, l'utilisation abusive, les accidents, la négligence, le fonctionnement abusif, le refus d'entretien, l'installation irrégulière ou négligente, l'altération, le non respect du mode d'emploi, les fausses manœuvres, les réparations non agréées (y compris la réparation effectuée soi-même ou l'exploration des mécanismes internes de l'appareil) de la part de toute partie. (3) La rectification, l'altération ou la modification, quelle qu'en soit la nature. (4) Le non-respect des codes, règlements ou lois applicables d'État, locaux, municipaux ou de comté régissant l'électricité, la plomberie et/ou le bâtiment, y compris le manquement à l'obligation d'installer le produit dans le respect le plus strict des codes et règlements locaux du bâtiment et en matière de prévention des incendies. (5) L'usure normale, le renversement d'aliments, de liquides, les accumulations de graisse ou les autres substances qui s'accumulent sur le produit, à l'intérieur ou autour de celui-ci. (6) Les forces et facteurs externes, exercés par les éléments et/ou l'environnement, y compris, sans toutefois s'y limiter, la pluie, le vent, le sable, les inondations, les incendies, les glissements de terrain, les températures glaciales, l'humidité excessive ou l'exposition prolongée à l'humidité, la foudre, la surtension électrique, les défaillances des structures qui entourent l'appareil et les cas de force majeure. Bosch ne sera en aucun cas responsable et n'aura aucune obligation de quelque manière que ce soit quant aux dommages occasionnés aux biens environnants, y compris les armoires de rangement, les planchers, les plafonds et les autres structures ou objets qui se trouvent à proximité du produit. Sont également exclus de la présente garantie les griffures, les encoches, les bosselures et les dommages touchant l'aspect des surfaces externes et des pièces exposées ; les produits dont les numéros de série ont été modifiés, oblitérés ou enlevés ; les visites après-vente pour vous enseigner à utiliser le produit, ou les déplacements lorsque le produit ne présente aucun problème ; la résolution de problèmes d'installation (vous êtes entièrement responsable de toute structure et mise en place du produit, y compris les installations électriques, de plomberie ou autres installations de raccordement, de la mise en place de fondations ou d'un parquet appropriés, et de toute modification, y compris, sans toutefois s'y limiter, celles devant être apportées aux armoires de rangement, murs, planchers, rayonnages, etc.) ; ainsi que le réenclenchement des disjoncteurs ou des fusibles.

**DANS LA MESURE OÙ LA LOI L'AUTORISE, LA PRÉSENTE GARANTIE STIPULE VOS RECOURS EXCLUSIFS À L'ÉGARD DU PRODUIT, QUE LA RÉCLAMATION SOIT OU NON DE NATURE CONTRACTUELLE OU DÉLICTELLE (Y COMPRIS LA RESPONSABILITÉ ABSOLUE OU LA NÉGLIGENCE) OU AUTRE. LA PRÉSENTE GARANTIE REMPLACE TOUTES LES AUTRES GARANTIES, EXPRESSES OU IMPLICITES. TOUTE GARANTIE IMPLICITE EN VERTU DE LA LOI, QUE CE SOIT À DES FINS DE QUALITÉ MARCHANDE OU D'ADAPTATION À UN USAGE PARTICULIER, OU AUTREMENT, EST EN VIGUEUR UNIQUEMENT PENDANT LA PÉRIODE AU COURS DE LAQUELLE LA PRÉSENTE GARANTIE LIMITÉE EXPRESSE EST EN VIGUEUR. §LE FABRICANT N'EST AUCUNEMENT RESPONSABLE DES DOMMAGES, PERTES OU FRAIS CONSÉCUTIFS, PARTICULIERS, ACCESSOIRES, INDIRECTS ET/OU PUNITIFS, DES « PERTES COMMERCIALES », Y COMPRIS, SANS TOUTEFOIS S'Y LIMITER, LE TEMPS D'ABSENCE AU TRAVAIL, L'HÉBERGEMENT À L'HÔTEL ET/OU LES REPAS AU RESTAURANT, LES FRAIS DE REMANIEMENT EN EXCÉDENT DES DOMMAGES DIRECTS QUI SONT CAUSÉS DÉFINITIVEMENT ET EXCLUSIVEMENT PAR BOSCH, OU AUTREMENT. §CERTAINS ÉTATS NE PERMETTENT PAS L'EXCLUSION OU LA LIMITATION DE DOMMAGES INDIRECTS OU ACCESSOIRES ET CERTAINS ÉTATS NE PERMETTENT PAS LA LIMITATION DE LA DURÉE D'UNE GARANTIE IMPLICITE, DE SORTE QUE LES RESTRICTIONS STIPULÉES PLUS HAUT PEUVENT NE PAS S'APPLIQUER À VOUS. LA PRÉSENTE GARANTIE VOUS CONFÈRE DES DROITS LÉGAUX SPÉCIFIQUES ET VOUS POUVEZ AUSSI AVOIR D'AUTRES DROITS QUI VARIENT D'UN ÉTAT À L'AUTRE.** Aucune tentative pour modifier la présente garantie n'aura d'effet à moins d'être autorisée par écrit par un dirigeant de BSH.

**Procédure d'obtention du service prévu par la garantie :** POUR BÉNÉFICIER D'UN SERVICE DE GARANTIE POUR VOTRE PRODUIT, COMMUNIQUER AVEC LE CENTRE DE SERVICE APRÈS-VENTE AGRÉÉ DE BOSCH LE PLUS PROCHE OU TÉLÉPHONEZ AU 800-944-2904, ou encore écrivez à Bosch à l'adresse suivante : BSH Home Appliances - 5551 McFadden Avenue, Huntington Beach, CA 92649 /



¡Bosch lo felicita y le da las gracias!

Le agradecemos por elegir una lavadora de platos Bosch. Usted se ha sumado a la gran cantidad de consumidores que exigen a su lavadora de platos un rendimiento silencioso y superior.

Este manual fue redactado pensando en su seguridad y comodidad, y la información que contiene es muy importante. Le recomendamos enfáticamente que lea este manual antes de usar su lavadora de platos por primera vez.

Para obtener más información acerca de su lavadora de platos y de los accesorios disponibles, así como acerca de otros electrodomésticos Bosch de calidad superior, visite nuestro sitio web:

*www.bosch-home.com/us (USA)*

*or*

*www.bosch-appliances.ca (Canada)*

Si tiene alguna pregunta o comentario, comuníquese con nosotros llamando al:

*BSH Home Appliances, Corp.*

*5551 McFadden Avenue*

*Huntington Beach, CA 92649*

## **Índice**

<b>Instrucciones de seguridad importantes.....</b>	<b>2-3</b>
<b>Componentes de la lavadora de platos.....</b>	<b>4</b>
<b>Funciones y materiales de la lavadora de platos.....</b>	<b>5</b>
<b>Cómo cargar la lavadora de platos.....</b>	<b>6</b>
<b>Cómo cargar la canasta para cubiertos.....</b>	<b>7</b>
<b>Accesorios para las rejillas.....</b>	<b>8</b>
<b>Cómo agregar detergente y agente de enjuague.....</b>	<b>9-10</b>
<b>Ciclos y opciones de la lavadora de platos.....</b>	<b>11</b>
<b>Información sobre los ciclos de lavado.....</b>	<b>12</b>
<b>Cómo operar la lavadora de platos.....</b>	<b>12-13</b>
<b>Cuidado y mantenimiento.....</b>	<b>14-15</b>
<b>Autoayuda.....</b>	<b>16-17</b>
<b>Servicio al cliente.....</b>	<b>18</b>
<b>Información sobre la garantía.....</b>	<b>19</b>

# Instrucciones de seguridad importantes: Lea y guarde esta información



## ADVERTENCIA

El uso indebido de la lavadora de platos puede ocasionar lesiones graves o la muerte. No utilice la lavadora de platos de ninguna manera que no se encuentre cubierta en este manual ni para ningún fin distinto de los fines que se explican en las páginas siguientes.



La contratación de técnicos de servicio que no estén capacitados o el uso de piezas de repuesto que no sean originales podría ocasionar daños en el producto y/o lesiones graves. Todas las reparaciones deben ser realizadas por un técnico de servicio capacitado que utilice únicamente piezas de repuesto originales de fábrica para el equipo.



Si el suministro eléctrico para la lavadora de platos cubierta en este manual se instala de manera incorrecta o si la lavadora de platos no ha sido conectada a tierra de manera adecuada, podría ocasionarse una descarga eléctrica o un incendio. No utilice la lavadora de platos cubierta en este manual, a menos que esté seguro de que el suministro eléctrico haya sido instalado correctamente o de que la lavadora de platos haya sido conectada a tierra de manera adecuada.



Nunca utilice productos químicos abrasivos para limpiar su lavadora de platos. ¡Algunos productos que contienen cloruros pueden dañar su lavadora de platos y pueden presentar peligros para la salud!

## AVISO

Nunca utilice productos de limpieza por vapor para limpiar su lavadora de platos. El fabricante no será responsable de los posibles daños o consecuencias.



Se recomienda especialmente que el usuario final se familiarice con el procedimiento de corte del suministro de entrada de agua y con el procedimiento de corte de la fuente de alimentación eléctrica de entrada. Consulte las instrucciones de instalación o comuníquese con su instalador para obtener más información.



## **ADVERTENCIA: Para reducir el riesgo de incendio, descarga eléctrica o lesiones graves, siga estas indicaciones:**

- 1** Esta lavadora de platos se entrega con Instrucciones de instalación y con este Manual de uso y cuidado. Lea y comprenda todas las instrucciones antes de usar la lavadora de platos.
- 2** Este electrodoméstico debe conectarse a un sistema de cableado metálico y permanente, con conexión a tierra, o se debe instalar un conductor de conexión a tierra para equipos junto con los conductores de circuitos, y conectarlo al terminal de conexión a tierra para equipos o al hilo de conexión a tierra de la lavadora de platos. Consulte las Instrucciones de instalación que se incluyen con esta lavadora de platos para obtener más información sobre los requisitos eléctricos.
- 3** Utilice esta lavadora de platos únicamente para la función para la cual fue diseñada, que consiste en lavar la vajilla doméstica y los utensilios de cocina.
- 4** Utilice únicamente detergentes o agentes de enjuague recomendados para uso en una lavadora de platos y manténgalos fuera del alcance de los niños.
- 5** Al cargar los artículos que desea lavar:
  - Coloque los artículos filosos de manera tal que no puedan dañar el sello de la puerta.
  - Cargue los cuchillos y otros utensilios filosos con el MANGO HACIA ARRIBA para reducir el riesgo de tener heridas cortantes.
  - No lave artículos de plástico, a menos que incluyan la leyenda “aptos para lavadora de platos” o una leyenda equivalente. En el caso de los artículos de plástico que no estén marcados de esa manera, consulte las recomendaciones del fabricante.
  - No opere su lavadora de platos, a menos que todos los paneles de cierre estén colocados en su lugar.
  - No trate de forzar los controles ni de pasar por alto los sistemas de traba.
- 6** No use la puerta ni las rejillas para platos de la lavadora de platos de manera indebida, ni se siente ni se pare sobre estas.
- 7** Para reducir el riesgo de lesiones, no permita que los niños jueguen dentro de la lavadora de platos ni encima de esta.
- 8** Cuando los niños tienen la edad adecuada para operar el electrodoméstico, es responsabilidad legal de los padres/tutores legales asegurarse de que los niños reciban instrucciones sobre prácticas seguras por parte de personas capacitadas.
- 9** En ciertas condiciones, es posible que se produzca gas hidrógeno en un sistema de agua caliente que no haya sido utilizado durante dos semanas o más tiempo. El gas hidrógeno es explosivo. Antes de usar una lavadora de platos que esté conectada a un sistema de agua caliente que haya permanecido sin uso durante dos semanas o más tiempo, abra todos los grifos de agua caliente y deje que fluya el agua de cada uno de los grifos durante varios minutos. De este modo, se eliminará el gas hidrógeno que se haya acumulado. Dado que el gas es explosivo, no fume ni use una llama abierta durante este tiempo.
- 10** Al retirar una lavadora de platos vieja para realizar el servicio técnico o para desecharla, retire la puerta de la lavadora de platos que cierra el compartimento de lavado.
- 11** Para evitar daños en el piso y la posible aparición de moho, no permita que las áreas alrededor o debajo de la lavadora de platos permanezcan mojadas.
- 12** Proteja su lavadora de platos de las condiciones climáticas. Protéjala contra el congelamiento para evitar posibles daños en la válvula de llenado. Los daños causados por el congelamiento no están cubiertos por la garantía.
- 13** Para un electrodoméstico conectado al cable:
  - Este electrodoméstico debe estar conectado a tierra. En caso de un mal funcionamiento o una falla, la conexión a tierra reducirá el riesgo de descarga eléctrica proporcionando una vía de menor resistencia para la corriente eléctrica. Este electrodoméstico viene equipado con un cable con un conductor de conexión a tierra para equipos y un enchufe con conexión a tierra. El enchufe debe colocarse en una toma de corriente adecuada que esté instalada y conectada a tierra, de acuerdo con todos los códigos y las ordenanzas locales
  - La conexión incorrecta del conductor de conexión a tierra del equipo puede causar una descarga eléctrica. Consulte a un electricista o a un representante de servicio técnico calificados si tiene alguna duda respecto de si el electrodoméstico está correctamente conectado a tierra. No modifique el enchufe incluido con el electrodoméstico; si no entra en la toma de corriente, solicite a un electricista calificado que instale una toma de corriente adecuada.

# Componentes de la lavadora de platos

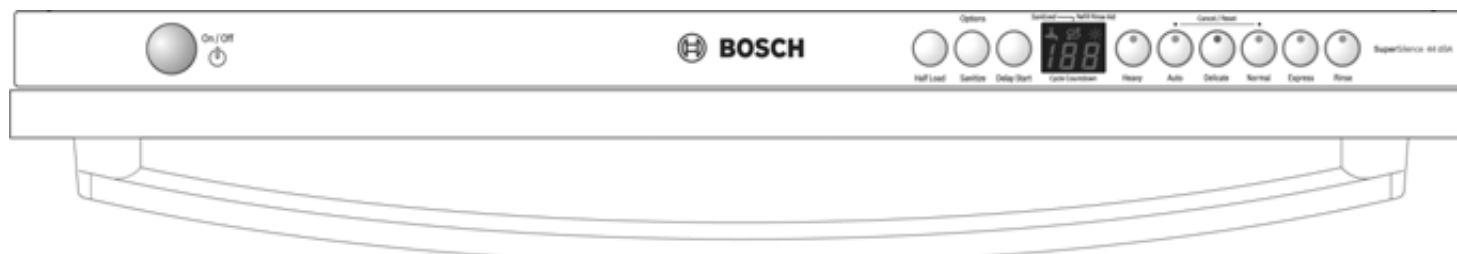
**SHE68R5xUC\***



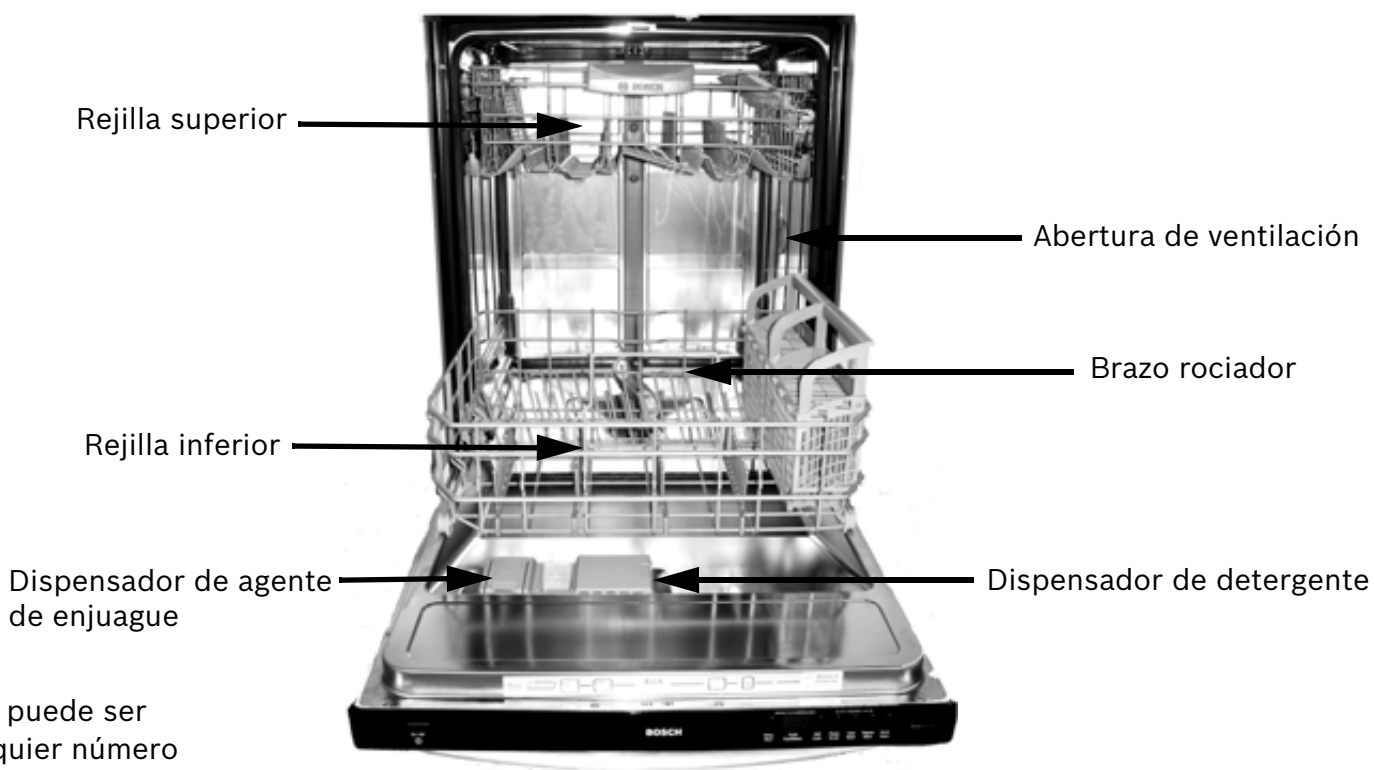
**SHV68R53UC**



**SHX68R5xUC\***



Ciclos de lavado							Funciones adicionales								
Modelo	Heavy	Auto	Delicate	Normal	Express	Rinse	Adjustable Top Rack	Bottle Holder	Delay Start	Extra Tall Item Sprinkler	Flip Tines	Half Load Option	InfoLight	Sanitize Option	Silverware Basket
SHE68R5xUC*	X	X	X	X	X	X	RackMatic	X	X	X	X	X	X	X	Flexible
SHV68R53UC	X	X	X	X	X	X	RackMatic	X	X	X	X	X	X	X	Flexible
SHX68R5xUC*	X	X	X	X	X	X	RackMatic	X	X	X	X	X	X	X	Flexible



\* "x" puede ser cualquier número

# Funciones de la lavadora de platos

**Inicio con retraso:** Retrase el tiempo de inicio de su lavadora de platos con la opción inicio con retraso.

**Sistema de manejo del lavado EcoSense™:** Verifica las condiciones del agua y detecta si es necesario realizar una segunda carga de agua fría.

**Calor para secado adicional:** Eleva la temperatura del enjuague y aumenta el tiempo de secado que da como resultado un mejor secado.

**Púas abatibles:** Aumentan la flexibilidad de las rejillas para que quepan artículos más largos/más altos.

**Flow-Through Heater™:** Calienta el agua hasta alcanzar una temperatura que hace posible la desinfección.

**Sistema de cuatro filtros:** Usa múltiples filtros que aseguran la distribución de agua limpia y protegen la bomba principal y la bomba de drenaje contra el ingreso de materiales externos.

**Opción Half load (Media carga):** Puede reducir el consumo de energía y de agua al lavar cargas pequeñas, levemente sucias, que llenan, aproximadamente, la mitad de la capacidad de la lavadora de platos.

**InfoLight™:** Un LED rojo ilumina el piso para indicar que la lavadora de platos está en funcionamiento.

**Sistema de reducción del ruido:** Un sistema motorizado por dos bombas, el Suspension Motor™, y el aislamiento hacen que esta lavadora de platos sea una de las más silenciosas de América del Norte.

**Rejillas recubiertas con nylon:** Eliminan los cortes y las hendiduras, y tienen una garantía de cinco años.

**OptiDry™:** Esta función detecta cuándo la unidad tiene poco agente de enjuague y aumenta automáticamente el tiempo de secado.

**Rejilla ajustable RackMatic™:** La rejilla superior puede subirse o bajarse para que quepan artículos altos en las rejillas superior e inferior.

**SaniDry™:** Un enjuague final realizado a alta temperatura, una tina de acero inoxidable de baja temperatura y la acción de escurrido de agua en forma de capas de un agente de enjuague brindan un secado higiénico, eficiente en el consumo de energía y económico.

**Sanitize (Desinfectar):** Una opción para alcanzar las condiciones de desinfección. Esta opción puede utilizarse únicamente con determinados ciclos de lavado. Consulte la página 11.

**Tina alta de acero inoxidable:** Una superficie interior antioxidante e higiénica con garantía de por vida.

## Materiales de vajilla

*Nota: Antes de usar su lavadora de platos por primera vez, consulte la información incluida en esta sección. Algunos artículos no son aptos para lavadora de platos y deben lavarse a mano; otros requieren una carga especial.*

### Recomendados

**Aluminio:** Es posible que el aluminio de color anodizado se opaque con el tiempo. Los minerales del agua pueden hacer que el aluminio se oscurezca o se manche. Por lo general, estas manchas pueden quitarse con una esponja de lana de acero con jabón.

**Porcelana, cristal, cerámica de gres:** Algunos utensilios pintados a mano pueden descolorarse, opacarse o mancharse. Lave a mano estos utensilios. Coloque los utensilios de vidrio frágiles de manera tal que no se caigan ni entren en contacto con otros utensilios durante el ciclo de lavado.

**Vidrio:** El vidrio opalino puede descolorarse o ponerse amarillo.

**Recubrimientos antiadherentes:** Aplique una capa delgada de aceite vegetal en las superficies antiadherentes después del secado.

**Plásticos:** Asegúrese de que los utensilios de plástico sean aptos para lavadora de platos.

**Acero inoxidable, plata esterlina y objetos bañados en plata:** Cargue estos de manera tal que no entren en contacto con otros metales.

### Materiales no recomendados

**Acrílico:** Puede producirse un agrietamiento o pequeñas rajaduras a lo largo del acrílico.

**Piezas pegadas con adhesivos:** Los adhesivos que pegan materiales como plástico, madera, hueso, acero, cobre, estaño, etc., pueden aflojarse.

**Utensilios con mango de hueso:** Los mangos pueden separarse.

**Hierro:** El hierro se oxida. Lave a mano y seque inmediatamente.

**Artículos que no sean vajilla:** Su lavadora de platos está diseñada para limpiar ÚNICAMENTE vajilla y utensilios de cocina domésticos estándares.

**Peltre, latón, bronce:** Estos artículos pierden lustre. Lave a mano y seque inmediatamente.

**Estaño:** El estaño se oxida. Lave a mano y seque inmediatamente.

**Madera:** Los tazones de madera, los utensilios de madera y los utensilios con mango de madera pueden rajarse, combarse y perder su acabado.

# Cómo cargar la lavadora de platos

No prelave artículos que tengan suciedad poco adherida. Retire todas las partículas de alimentos, los huesos, los palillos y el exceso de grasa. Los artículos que tienen suciedad quemada, pegada después de hornear o endurecida pueden requerir un tratamiento previo. Consulte la sección Materiales de vajilla para obtener más información sobre la vajilla apta para este electrodoméstico.

Cargue la lavadora de platos únicamente con artículos aptos para lavadora de platos. Cargue platos en las rejillas de la lavadora de platos de manera tal que el interior de los tazones, las cacerolas y las ollas quede mirando hacia los brazos rociadores. Evite que los platos queden uno dentro de otro y con puntos de contacto entre sí. Separe los artículos de metales que no sean similares.

## Cómo cargar la rejilla superior

Asegúrese de que los artículos no sobresalgan a través de la parte inferior de las rejillas y de que no bloqueen los brazos rociadores.

*Nota: Al empujar la rejilla superior dentro de la lavadora de platos, empujela hasta que se detenga contra la parte trasera de la tina de manera tal que el brazo rociador de la rejilla superior se conecte al suministro de agua de la parte trasera de la tina. No empuje las rejillas hacia adentro con la puerta.*

## Cómo cargar la rejilla inferior

Coloque los artículos grandes en la rejilla inferior. Cargue las cacerolas, las ollas y los tazones boca abajo.

## Cómo descargar la lavadora de platos

Al descargar la lavadora de platos es mejor descargar la rejilla inferior primero. Luego, descargue la canasta para cubiertos y la rejilla superior.

# AVISO

Para evitar daños en la lavadora de platos, no cargue la lavadora de platos con productos de papel, bolsas de plástico, material de embalaje ni ningún otro elemento que no sea vajilla ni utensilios de cocina normales, aptos para lavadora de platos.

### Patrón de carga sugerido - Canasta para cubiertos flexible

Rejilla superior

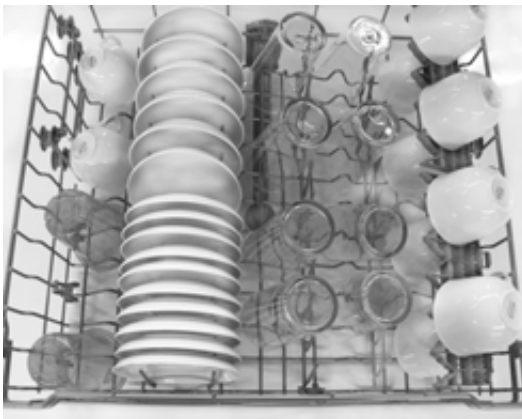


Rejilla inferior



### Patrón de carga adicional - Canasta para cubiertos flexible (10 programaciones de espacio)

Rejilla superior



Rejilla inferior





# Cómo cargar la canasta para cubiertos

Coloque los cuchillos y los utensilios filosos con los MANGOS HACIA ARRIBA, y los tenedores y las cucharas con los mangos hacia abajo. Si es necesario cargar artículos grandes o de forma irregular en la canasta para cubiertos, asegúrese de que no queden uno dentro del otro.



## ADVERTENCIA

Las puntas y los bordes filosos de los cuchillos y otros utensilios filosos pueden ocasionar lesiones graves. Cargue los cuchillos y otros utensilios filosos con los bordes hacia abajo. No permita que los niños manipulen cuchillos y utensilios filosos ni que jueguen cerca de estos.

### Canasta para cubiertos flexible

Esta canasta se separa a lo largo y queda dividida en dos mitades, que pueden colocarse en una variedad de posiciones en la rejilla inferior; de esta manera, la versatilidad de carga de la rejilla inferior aumenta considerablemente. La canasta se une calzando las partes traseras o los extremos a presión, como se muestra a continuación.



### Para separar la canasta para cubiertos flexible

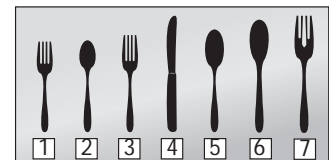
Tome la canasta y deslice las dos mitades en dirección opuesta, como se muestra a la derecha, y separe las dos mitades.

### Opciones para colocar la canasta flexible



### Patrón de carga para canastas para cubiertos flexibles

1	7	4	4	3	3	3	4	4	6	1	1	7	4	4	3	3	3	4	4	6	1	
1	2	2	4	3	3	4	2	2	1	1	2	2	4	3	3	4	2	2	1	2	2	1
1	2	2	2	2	3	2	2	2	2	1	1	2	2	2	2	3	2	2	2	2	1	



- 1- tenedor para ensalada
- 2- cuchara de té
- 3- tenedor
- 4- cuchillo
- 5 - cucharada
- 6 - cuchara para servir
- 7 - tenedor para servir

La tapa de la canasta puede engancharse a presión en el mango para dejar la canasta abierta.

# Accesorios para las rejillas

## Soporte para botellas

Permite sostener botellas o jarrones altos de manera segura en la rejilla inferior. Esta pieza es desmontable para máxima flexibilidad. Siempre asegúrese de que el brazo rociador superior no entre en contacto con ningún artículo alto colocado en la rejilla inferior.

Para retirar el soporte para botellas, jale de ambos lados del soporte para botellas hasta que la pieza se desenganche de la rejilla. Para moverlo a otra posición, retírelo como se describió anteriormente y separe los lados. Enganche ambos extremos del soporte a la rejilla en otra ubicación. Consulte la **Figura 1**.



Figura 1

## Accesorio de rociado para artículos extraaltos

Si un artículo es demasiado alto como para colocarlo dentro de la rejilla inferior, incluso con la rejilla superior en la posición elevada, retire la rejilla superior vacía jalándola hacia fuera de la lavadora de platos hasta que se detenga. Jale de la parte delantera de la rejilla hacia arriba y hacia afuera hasta que los rodillos queden completamente fuera de las guías de los rodillos.

Deje la rejilla superior a un lado. Empuje las guías de los rodillos nuevamente dentro de la lavadora de platos. Introduzca el accesorio de rociado para artículos extraaltos dentro de la salida de rocío de la rejilla superior y gire el accesorio de rociado hacia la derecha para que quede trabado en su lugar. Consulte la **Figura 2**.

*Nota: Mantenga despejada la abertura de ventilación que se encuentra en el lado derecho de la tina colocando los artículos altos, como tablas de picar de plástico y placas para hornear altas en el lado izquierdo o en el centro de la rejilla inferior.*

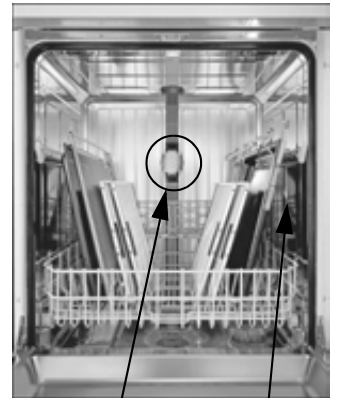
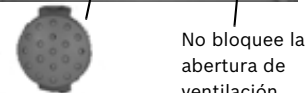


Figura 2



No bloquee la  
abertura de  
ventilación

Figura 3

## AVISO

Para evitar daños en la lavadora de platos, no vuelva a instalar la rejilla superior sin retirar el accesorio de rociado para artículos extraaltos.

## Púas abatibles

Las rejillas constan de púas que pueden plegarse hacia abajo según los artículos que tenga que cargar en la rejilla. Para plegarlas hacia abajo, tome las púas plegables y extráigalas de la muesca. Empuje la púa plegable hacia abajo en la posición deseada como se muestra en la **Figura 3**.



## Rejilla superior ajustable RackMatic™

La rejilla superior puede subirse o bajarse para que quepan artículos grandes en cualquiera de las rejillas. Consulte la **Figura 4**.

*Nota: Antes de empujar la rejilla superior dentro de la lavadora de platos, asegúrese de que la altura de la rejilla sea igual en ambos lados. Si la altura no es la misma en ambos lados, la puerta de la lavadora de platos no cerrará y el brazo rociador de la rejilla superior no se conectará con la entrada de agua.*

Para bajar la rejilla superior:

- 1 Jale la rejilla superior hacia fuera de la lavadora de platos hasta que haga tope.
- 2 Presione los mangos de la rejilla superior ajustable Rackmatic hacia adentro y deje caer la rejilla suavemente.

Para elevar la rejilla superior:

- 1 Jale la rejilla superior hacia fuera de la lavadora de platos hasta que haga tope.
- 2 Tome la parte superior de la rejilla por encima de los mangos de la rejilla RackMatic y jale hacia arriba hasta que los mangos traben la rejilla en su lugar (no es necesario que presione los mangos para elevar la rejilla).

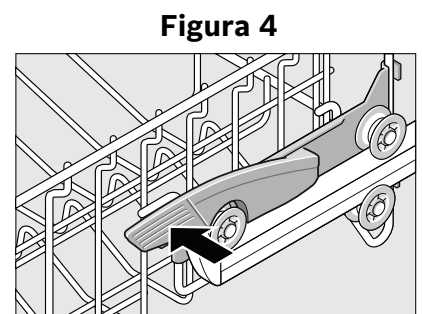


Figura 4

# Cómo agregar detergente y agente de enjuague

## Detergente

Utilice solo detergente diseñado específicamente para lavadoras de platos. Para obtener los mejores resultados, utilice detergente en polvo para lavadoras de platos recién comprado.

### AVISO

Para evitar daños en la lavadora de platos, no utilice productos para lavar platos a mano en su lavadora de platos.



Para evitar daños en la lavadora de platos, no use demasiado detergente si el agua de su hogar es blanda. Utilizar demasiado detergente en el agua blanda puede ocasionar que los utensilios de vidrio queden marcados.

Esta lavadora de platos utiliza menos agua; por eso, se debe utilizar menos detergente. Con agua blanda, 1 cucharada (15 ml) de detergente limpia prácticamente todos los tipos de cargas. El recipiente del dispensador de detergente tiene líneas que miden la cantidad de detergente para 1 cucharada (15 ml) y 1.75 cucharadas (25 ml). 3 cucharadas (45 ml) de detergente llenan completamente el dispensador de detergente.

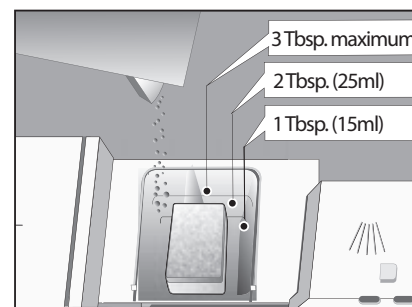
*Nota: Si no sabe cuál es el nivel de dureza de su suministro de agua, utilice 15 ml de detergente. Aumente la cantidad, si es necesario, a la cantidad mínima necesaria para que sus utensilios de cocina queden limpios.*

Utilice las líneas medidoras marcadas en el recipiente del dispensador de detergente como guía para medir la cantidad de detergente recomendada en la **Tabla 1**.

### Cómo agregar detergente

- 1 cucharada (15 ml) limpia prácticamente todos los tipos de cargas (consulte la **Figura 5**).
- No utilice más de 3 cucharadas (45 ml).
- No sobrecargue el dispensador de detergente.
- Al utilizar pastillas de detergente, colóquelas de manera horizontal para evitar que entren en contacto con la cubierta.

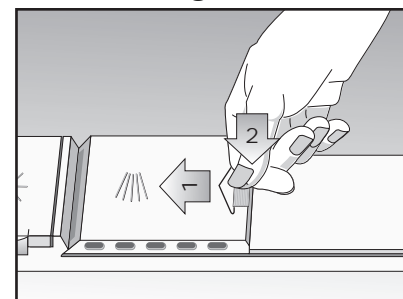
**Figura 5**



### Para cerrar

- Coloque el dedo como se muestra en la **Figura 6**.
- Deslice completamente la cubierta hacia la izquierda.
- Presione firmemente el extremo trasero de la cubierta hacia abajo hasta que escuche un clic.

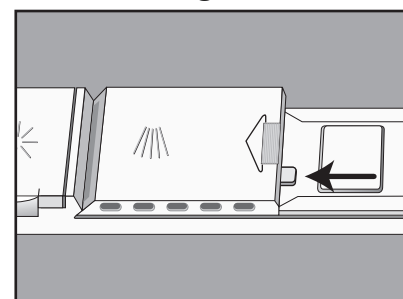
**Figura 6**



### Para abrir

- Para abrir la cubierta, empuje el botón azul hacia adentro (no hacia abajo) como se muestra en la **Figura 7**.
- La cubierta se abrirá.

**Figura 7**



**Tabla 1 - Cantidad de detergente recomendada**

Ciclo de lavado	Agua dura/mucha suciedad	Agua media/suciedad media	Agua blanda/poca suciedad/con opción Half load (Media carga)
Heavy	45ml (3tbsp)	45ml (3tbsp)	25-45ml (1.75-3tbsp)
Auto	25-45ml (1.75-3tbsp)	25ml (1.75tbsp)	15-25ml (1-1.75tbsp)
Delicate	25ml (1.75tbsp)	15-25ml (1-1.75tbsp)	15ml (1tbsp)
Normal	25-45ml (1.75-3tbsp)	25ml (1.75tbsp)	15-25ml (1-1.75tbsp)
Express	25ml (1.75tbsp)	15-25ml (1-1.75tbsp)	15ml (1tbsp)
Rinse	None	None	None

## Agente de enjuague

Para lograr un secado adecuado, utilice siempre un agente de enjuague líquido, incluso si su detergente contiene un agente de enjuague o un aditivo de secado.

*Nota: La lavadora de platos indica que hay poco agente de enjuague en el símbolo indicador de agente de enjuague. Si esta luz está encendida, necesita recargar el dispensador de agente de enjuague siguiendo las indicaciones que se encuentran a continuación.*

### Cómo agregar agente de enjuague

Abra el depósito para el agente de enjuague y agregue agente de enjuague líquido al dispensador vertiéndolo sobre la flecha.

Gire la flecha para ajustar la cantidad de agente de enjuague que se dispensa (consulte la **Figura 8**).

Limpie cualquier exceso de agente de enjuague que pueda acumularse cuando el depósito del dispensador esté lleno.

La luz indicadora se apagará algunos minutos después de que se cierre la puerta de la lavadora de platos.

**Figura 8**



Para disminuir  
las vetas en  
el vidrio

Para disminuir  
las manchas en  
el vidrio

# Ciclos y opciones de la lavadora de platos

## Ciclos de lavado

**Heavy (Lavado intenso):** Es el mejor para lavar artículos con comida o grasa pegadas después de hornear. Para limpiar estos platos, normalmente es necesario dejarlos en remojo.

**Auto (Lavado automático):** Con nuestra más compleja capacidad de detección de suciedad, este ciclo es perfecto para utilizarse en el caso de cargas mixtas de vajilla con diversas cantidades de residuos de alimentos. Este es el ciclo más flexible y es una buena opción para el uso diario.

**Delicate (Lavado delicado):** Para vajilla y cubiertos delicados o de valor, u otros artículos especiales. Asegúrese siempre de que los artículos sean aptos para lavadoras de platos. Consulte la sección Materiales de vajilla incluida en este manual para obtener más información. Para dichos artículos, el mejor tratamiento puede ser el lavado a mano.

**Normal (Lavado normal):** Limpia en profundidad una carga completa de platos con suciedad normal.


*Nota: La Etiqueta de Guía de Energía (Energy Guide Label) se basó en este ciclo de detección de suciedad con todas las opciones disponibles apagadas. Como se indica en el procedimiento de prueba de energía, se realizó una prueba en la unidad sin ningún agente de enjuague en el dispensador de agente de enjuague. Se utilizó una única dosis de detergente en el dispensador de detergente, sin detergente en el prelavado. La prueba se realizó en la rejilla superior en la posición más baja.*

**Express (Lavado express):** Limpia platos levemente sucios y reduce el tiempo de lavado total. Utilice este ciclo para limpiar vasos y platos de postre que posiblemente necesite volver a usar en el mismo evento.

**Rinse (Enjuague):** Le permite enjuagar los residuos de alimentos de una carga parcial y dejarla en espera en la lavadora de platos hasta que esté listo para hacer funcionar una carga completa.

## Opciones de los ciclos de lavado

**Delay Start (Inicio con retraso):** Esta opción le permite retrasar el tiempo de inicio de su lavadora de platos hasta 19 horas.

**Sanitize (Desinfectar):** La función de desinfección se encuentra disponible únicamente en los ciclos de lavado Heavy (Intenso), Auto (Automático) y Normal (Normal). Presione el botón de la opción Sanitize (Desinfectar) para activar las funciones de desinfección durante los ciclos. Cuando se ilumine el símbolo Sanitized  aparezca en los modelos con pantalla, significa que la vajilla y los utensilios de cocina que acaban de lavarse han sido desinfectados. Las medidas de desinfección técnicas también pueden mejorar los resultados de secado.

*Nota: La lavadora de platos se programa automáticamente al valor predeterminado Auto Wash (Lavado automático) al apagarse y volver a encenderse. Si utilizó la opción Sanitize (Desinfectar) en el último ciclo, la lavadora de platos se programa automáticamente al valor predeterminado Auto Wash (Lavado automático) con la opción Sanitize (Desinfectar) seleccionada al encenderla.*

**Half Load (Media carga) :** En los ciclos de lavado Heavy (Intenso), Smart (Inteligente) y Normal (Normal), la opción Half Load (Media carga) puede reducir el consumo de energía y agua al lavar cargas pequeñas, levemente sucias, que llenan, aproximadamente, la mitad de la capacidad de la lavadora de platos. Para activar esta opción, seleccione el botón Half Load (Media carga) además de cualquiera de los tres ciclos que se describen más arriba.

# Información sobre los ciclos de lavado

Nota: Para ahorrar energía, esta lavadora de platos tiene un "Control Inteligente" donde los sensores de la lavadora de platos ajustan automáticamente la duración del ciclo, la temperatura y los cambios en el agua, en función de la cantidad de residuos de alimentos y de la temperatura de agua de entrada. El "Control Inteligente" toma decisiones que pueden hacer que el tiempo del ciclo y el consumo de agua se ajusten de manera intermitente. **Los tiempos de ciclo de lavado se dan en función de un suministro de agua de 120 °F.** Si el suministro de agua de su hogar tiene una temperatura superior a 120 °F, el tiempo de calentamiento de su lavadora de platos puede reducirse y es posible que la luz o el símbolo "Sanitized" (Desinfectado) no se ilumine.

**Tabla 2 - Información sobre los ciclos de lavado**

	Heavy Wash	Auto Wash	Normal Wash	Delicate Wash	Express Wash	Rinse & Hold
tiempo del ciclo	135 min	95-119 min	115 min	80 min	30 min	9 min
tiempo del ciclo con Half Load (Media carga)	115 min	99 min	90 min	not available	not available	not available
tiempo del ciclo con Sanitize (Desinfectar)	135 min	105-135 min	125 min	not available	not available	not available
consumo de agua	23.2-27.4 L 6.1-7.2 gal	10.4-22.5 L 2.7-5.9 gal	8.9-18.3L 2.4-4.8 gal	13.1 L 3.5 gal	13.1 L 3.5 gal	4.7 L 1.2 gal
temperatura del lavado	66-72°C 151-162°F	55-72°C 126-162°F	50-69°C 122-156°F	50°C 122°F	45-72°C 113-162°F	no wash
temperatura de enjuague	72°C 162°F	65-72°C 156-162°F	45-69°C 113-156°F	69°C 156°F	50°C 122°F	incoming water temp.

Nota: Únicamente los ciclos desinfectantes han sido diseñados para cumplir los requisitos para el grado 6 respecto de la eficacia de la remoción de la suciedad y de la desinfección. No existe intención alguna, directa ni indirecta, de que todos los ciclos pasen las pruebas de rendimiento de desinfección.

## Cómo operar la lavadora de platos

### Para poner la lavadora de platos en funcionamiento:

- 1 Abra la puerta y presione el botón **On/Off** (Encendido/Apagado).
- 2 Seleccione un ciclo y las opciones deseadas.
- 3 Cierre la puerta para comenzar el ciclo.

### Inicio con retraso:

- 1 Abra la puerta y presione el botón **On/Off** (Encendido/Apagado).
- 2 Seleccione un ciclo.
- 3 Presione y mantenga presionado el botón **Delay Start** (Inicio con retraso). Suéltelo cuando el tiempo de retraso deseado aparezca en la ventana de la pantalla.
- 4 Cierre la puerta para comenzar el ciclo.

### Para cancelar un ciclo:

- 1 Abra la puerta de la lavadora de platos solo lo suficiente para que el panel de control quede visible. Tenga cuidado con las salpicaduras de agua caliente.
- 2 Presione y mantenga presionados los botones **Cancel/Reset** (Cancelar/Reprogramar) durante 3 segundos.
- 3 Cierre la puerta y espere alrededor de 1 minuto para que la lavadora de platos drene.
- 4 Abra la puerta y presione el botón **On/Off** (Encendido/Apagado). Ahora puede comenzar un nuevo ciclo.

## ADVERTENCIA

Si permite que el agua caliente salpique fuera de la lavadora de platos, podría quemarse gravemente con el agua. **ABRA LA PUERTA CON CUIDADO** durante cualquier ciclo de lavado o enjuague. Hasta que no haya cesado el ruido de agua, no abra la puerta completamente.

## Para interrumpir un ciclo:

- 1 Abra la puerta de la lavadora de platos solo lo suficiente para que el panel de control quede visible. Tenga cuidado con las salpicaduras de agua caliente.
- 2 Presione el botón **On/Off** (Encendido/Apagado) para apagar la unidad.
- 3 Espere, al menos, 10 segundos antes de abrir completamente la puerta de la lavadora de platos
- 4 Para reanudar el ciclo, presione el botón **On/Off** (Encendido/Apagado) y cierre la puerta de la lavadora de platos.

## Calor para secado adicional:

- 1 Presione y mantenga presionado el botón **Auto** (Automático) y, luego, presione y mantenga presionado el botón **On/Off** (Encendido/Apagado).
- 2 Cuando la ventana de la pantalla de LED indique un “0” o un “1”, suelte ambos botones.
- 3 Para activar la función de calor para secado adicional, presione el botón **Auto** (Automático) hasta que la pantalla indique “1”.
- 4 Para desactivar la función de calor para secado adicional, presione el botón **Auto** (Automático) hasta que la pantalla indique “0”.
- 5 Presione el botón **On/Off** (Encendido/Apagado) para guardar la programación.

## Señal de ciclo completado

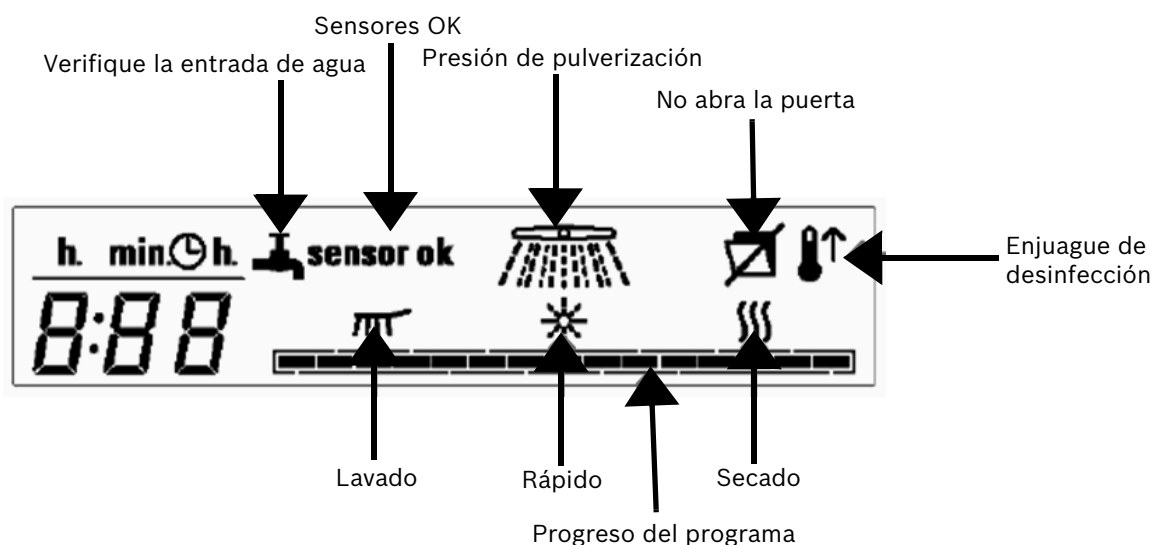
La señal de ciclo completado le avisa cuando se completa un ciclo y la lavadora de platos ha lavado y secado los platos. Puede optar por inhabilitar el tono o ajustar el volumen.

*NOTA: La unidad debe estar apagada antes de activarla.*

Para activar:

- 1 Presione y mantenga presionado el botón derecho “**Cancel Reset**” (Cancelar reprogramación) y luego presione y mantenga presionado el botón **On/Off** (Encendido/Apagado).
- 2 Cuando se ilumine la luz del botón “**Cancel Reset**” (Cancelar reprogramación) que está presionando y suene el tono, suelte ambos botones.
- 3 Presione el botón “**Cancel Reset**” (Cancelar reprogramación) que se encuentra en el extremo derecho hasta que obtenga el volumen deseado o hasta que el tono desaparezca (para apagarlo).
- 4 Presione el botón **On/Off** (Encendido/Apagado). Ahora, la programación está guardada.

## SHE68R5xUC y SHX68R5xUC botón de la pantalla delantera:



# Cuidado y mantenimiento

## Tareas de mantenimiento

Determinadas áreas de la lavadora de platos requieren mantenimiento de vez en cuando. Las tareas de mantenimiento son fáciles de realizar y asegurarán la continuidad del rendimiento superior de su lavadora de platos.

Figura 9

### Limpiar derrames y salpicaduras

Ocasionalmente, el agua puede salpicar hacia fuera de su lavadora de platos, particularmente si interrumpe un ciclo o abre la puerta de la lavadora de platos durante un ciclo. Para evitar daños en el piso y la posible aparición de moho, no permita que las áreas alrededor o debajo de la lavadora de platos permanezcan mojadas.

### Limpiar el lado interno de la puerta y la tina de acero inoxidable

Limpiar los bordes externos del panel interior de la puerta con regularidad para retirar los desechos que pueden acumularse como resultado de la carga normal. Si empiezan a aparecer manchas en el acero inoxidable, asegúrese de que el agente de enjuague esté completo y funcionando correctamente.

### Verifique y limpie las boquillas de los brazos rociadores

Retire el brazo rociador superior retirando primero la rejilla superior vacía de la lavadora de platos.

Gire la rejilla boca abajo. Una tuerca de retención mantiene el brazo rociador superior en su lugar, como se muestra en la **Figura 9**. Gire la tuerca de retención hacia la izquierda y retírela para soltar el brazo rociador. Revise las boquillas rociadoras para detectar obstrucciones. Si es necesario limpiar las boquillas rociadoras, enjuáguelas debajo del agua del grifo.

Para volver a instalar el brazo rociador superior, vuelva a colocarlo en su posición y vuelva a colocar la tuerca de retención en el lugar de instalación. Gire la tuerca de retención hacia la derecha para asegurarla. Vuelva a colocar la rejilla superior en las guías de los rodillos de la rejilla superior.

Retire el brazo rociador inferior retirando primero la rejilla inferior vacía de la lavadora de platos. Tome el brazo rociador y levántelo, como se muestra en la **Figura 10**. Revise las boquillas rociadoras para detectar obstrucciones. Si es necesario limpiar las boquillas rociadoras, enjuáguelas debajo del agua del grifo.

Para volver a instalar el brazo rociador inferior, vuelva a colocar el brazo rociador inferior en el lugar de instalación y presiónelo hasta que calce a presión en su lugar. Vuelva a colocar la rejilla inferior en el lugar de instalación.

### Verificar y limpiar el sistema de filtros

El sistema de filtros consta de un conjunto de trampa para objetos grandes/filtro cilíndrico, filtro fino y microfiltro. El sistema de filtros está ubicado en el interior de su lavadora de platos debajo de la rejilla inferior, un área fácilmente accesible. Durante el uso normal, el sistema de filtros se limpia solo. Debería inspeccionarlo de vez en cuando para detectar objetos extraños y limpiarlo cuando sea necesario.

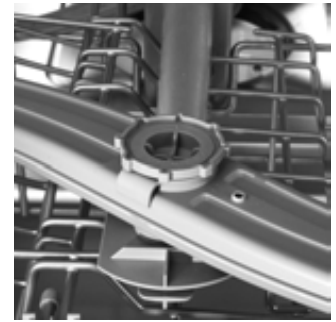
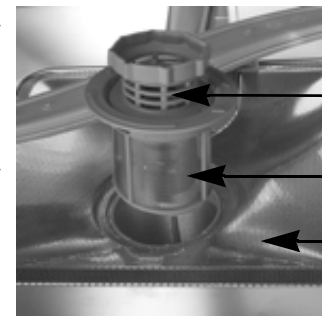


Figura 10



Large Object Trap  
Cylinder Filter  
Fine Filter

Figura 11

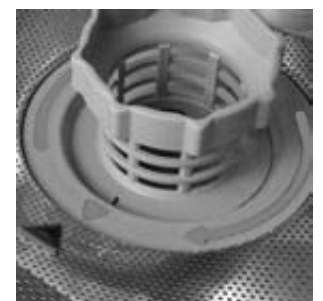


Figura 12



## PRECAUCIÓN

Para evitar lesiones, no introduzca los dedos en la trampa para objetos grandes. La trampa para objetos grandes podría contener objetos filosos.

Para retirar la trampa para objetos grandes, retire la rejilla inferior. Tome el conjunto y gírelo hacia la izquierda. Levante el conjunto.



Micro Filter



Examine el conjunto con cuidado. Si encuentra desechos en la trampa para objetos grandes, colóquela boca abajo y golpéela suavemente sobre una superficie plana para remover y retirar los desechos.

Retire el microfiltro, como se muestra en la **Figura 12**.

Enjuague el microfiltro y el filtro fino colocándolos debajo del agua del grifo hasta que queden limpios.

Para volver a instalar el sistema de filtros, vuelva a colocar el microfiltro en el lugar de instalación. Coloque el conjunto de la trampa para objetos grandes/filtro cilíndrico en el lugar de instalación. Gire la tuerca de retención hacia la derecha hasta que quede trabada. La flecha marcada en el mango del aro y la flecha marcada en el filtro fino deben apuntarse entre sí.

### **Limpiar el panel exterior de la puerta**

Puertas de color: Utilice únicamente un paño suave humedecido con agua con jabón.

Puertas de acero inoxidable: Utilice un paño suave con un limpiador no abrasivo (preferentemente, un rociador líquido) fabricado para limpiar acero inoxidable. Para obtener los mejores resultados, aplique el limpiador para acero inoxidable en el paño, y luego, limpie la superficie.

### **Limpiar el empaque de la puerta**

Limpie con regularidad el empaque de la puerta con un paño húmedo para retirar las partículas de alimentos y otros desechos. Limpie también el sello de la puerta, ubicado en el interior de la lavadora de platos, en la parte inferior de la puerta.

### **Cómo acondicionar su unidad para el invierno**

Si su lavadora de platos permanecerá sin uso durante un período prolongado en un lugar donde suele haber temperaturas bajo cero (casa de vacaciones o durante un período de vacaciones), solicite en un centro de servicio técnico autorizado que acondicionen su lavadora de platos para el invierno. Apague el suministro de agua a la lavadora de platos de su hogar cuando usted se encuentre en un período de vacaciones prolongado o cuando la lavadora de platos no se utilice durante más de un mes.

# Autoayuda

Problema	Causa	Acción
La lavadora de platos no se pone en funcionamiento.	<ol style="list-style-type: none"><li>1. Es posible que la puerta no esté bien trabada.</li><li>2. Es posible que la unidad no esté encendida.</li><li>3. Es posible que la unidad no se haya reprogramado o que un ciclo anterior no se haya completado.</li><li>4. Está activada la opción de inicio con retraso.</li><li>5. La fuente de alimentación eléctrica de la lavadora de platos está interrumpida o se ha quemado un fusible.</li><li>6. Es posible que la puerta se haya cerrado sin antes seleccionar un ciclo.</li><li>7. Es posible que el suministro de agua no esté abierto.</li></ol>	<ol style="list-style-type: none"><li>1. Cierre la puerta por completo.</li><li>2. Accione el interruptor de alimentación eléctrica principal para encender la unidad.</li><li>3. Para reprogramar, consulte la sección "Cómo cancelar o cambiar el ciclo" incluida en este manual.</li><li>4. Para reprogramar, consulte la sección "Inicio con retraso" incluida en este manual.</li><li>5. Verifique el disyuntor.</li><li>6. Seleccione un ciclo y cierre la puerta.</li><li>7. Verifique el suministro de agua y ábralo.</li></ol>
La lavadora de platos emite un pitido (señal de finalización del ciclo)	<ol style="list-style-type: none"><li>1. Las programaciones preconfiguradas de fábrica le avisan al cliente que el ciclo se ha completado emitiendo un pitido. Esta función se puede desactivar si lo desea.</li></ol>	<ol style="list-style-type: none"><li>1. Para ajustar el volumen o desactivarlo, consulte la sección "Señal de ciclo completado" incluida en este manual.</li></ol>
La pantalla no se ilumina	<ol style="list-style-type: none"><li>1. Es posible que se haya quemado un fusible o que se haya desconectado el disyuntor.</li><li>2. La puerta no está cerrada o trabada.</li></ol> <p>Nota: En el caso de los modelos con controles en la parte superior de la puerta, la pantalla únicamente se ilumina cuando la puerta se abre y los controles están visibles.</p>	<ol style="list-style-type: none"><li>1. Verifique el fusible o la caja de disyuntores y reemplace el fusible o restablezca el disyuntor, si fuera necesario.</li><li>2. Asegúrese de que la puerta esté bien trabada y completamente cerrada.</li></ol>
La lavadora de platos parece funcionar durante un tiempo prolongado	<ol style="list-style-type: none"><li>1. El agua de entrada no es lo suficientemente caliente.</li><li>2. El tiempo del ciclo puede variar debido a la suciedad a las condiciones del agua.</li><li>3. El dispensador de agente de enjuague está vacío.</li><li>4. La lavadora de platos está conectada a un suministro de agua fría.</li></ol> <p>Nota: Consulte la sección "Información sobre los ciclos de lavado" incluida en este manual para conocer la duración típica de los ciclos.</p>	<ol style="list-style-type: none"><li>1. Antes de iniciar un ciclo, deje correr el grifo de agua caliente del fregadero más cercano a la lavadora de platos.</li><li>2. Los sensores que se encuentran en la lavadora de platos aumentan automáticamente el tiempo del ciclo para asegurar un buen lavado cuando se detecta mucha suciedad.</li><li>3. Agregue agente de enjuague.</li><li>4. Verifique si la lavadora de platos está conectada a la tubería del suministro de agua caliente.</li></ol>
Los platos no están lo suficientemente limpios	<ol style="list-style-type: none"><li>1. El movimiento del brazo rociador está obstruido.</li><li>2. Las boquillas del brazo rociador están tapadas.</li><li>3. Uso inadecuado de detergentes.</li><li>4. Los filtros podrían estar tapados.</li><li>5. Los platos están unos dentro de otros o cargados con muy poca distancia entre sí.</li><li>6. El ciclo de lavado seleccionado no es adecuado para las condiciones de los residuos de alimentos.</li></ol>	<ol style="list-style-type: none"><li>1. Asegúrese de que el movimiento de los brazos rociadores no esté bloqueado girándolos a mano.</li><li>2. Retire los brazos rociadores y límpielos de acuerdo con el punto de la sección Cuidado y mantenimiento de este manual.</li><li>3. Aumente o disminuya la cantidad de detergente, según el nivel de dureza del agua. Consulte la tabla 1.</li><li>4. Limpie los filtros.</li><li>5. Reacomode la carga de manera tal que el rocío del agua pueda alcanzar todos los artículos que están en la lavadora de platos. Consulte también la sección "Cómo cargar la lavadora de platos" de este manual.</li><li>6. Consulte la sección "Información sobre los ciclos de lavado" incluida en la sección Cómo operar la lavadora de platos de este manual.</li></ol>
Olor	<ol style="list-style-type: none"><li>1. Hay desechos de alimentos en la parte inferior de la lavadora de platos.</li><li>2. Hay partículas de alimentos cerca del sello de la puerta.</li><li>3. Se dejaron platos demasiado tiempo en la unidad antes de hacer funcionar un ciclo.</li><li>4. Hay agua residual en la parte inferior de la lavadora de platos.</li><li>5. La manguera de drenaje está obstruida.</li></ol>	<ol style="list-style-type: none"><li>1. Retire los filtros y límpielos de acuerdo con la sección "Verificar y limpiar el sistema de filtros" de este manual.</li><li>2. Consulte "Limpiar el empaque de la puerta y el sello de la puerta" en la sección Cuidado y mantenimiento de este manual.</li><li>3. Haga funcionar un ciclo de enjuague y espera si no planea lavar los platos inmediatamente.</li><li>4. Asegúrese de que la unidad haya drenado completamente después del último ciclo. Consulte la sección "Cómo cancelar o cambiar el ciclo" de este manual.</li><li>5. Llame a personal calificado para que retire cualquier obstrucción en la manguera de drenaje.</li></ol> <p>Nota: Si el olor aún persiste, haga funcionar el ciclo normal/regular hasta que llegue al ciclo de enjuague, interrumpa el ciclo y coloque una taza de 8 oz con una solución de vinagre blanco destilado en la rejilla superior y, luego, deje que el ciclo termine.</p>

Problema	Causa	Acción
La lavadora de platos no se está llenando con agua.	<ol style="list-style-type: none"> <li>Hay una restricción en el sistema de suministro de agua.</li> <li>El ciclo de lavado anterior no se completó.</li> <li>Está activada la opción de inicio con retraso.</li> <li>El suministro de agua de su hogar está cerrado</li> </ol>	<ol style="list-style-type: none"> <li>Asegúrese de que la válvula de suministro de agua (por lo general, ubicada debajo del fregadero de la cocina) esté abierta y verifique que la línea de suministro de agua no esté plegada ni tapada.</li> <li>Consulte la sección “Cómo operar la lavadora de platos” de este manual.</li> <li>Cancele la opción de inicio con retraso o espere hasta que se complete (finalice) el tiempo de retraso del inicio. Consulte la sección "Inicio con retraso" de este manual.</li> <li>Abra el suministro de agua de su hogar</li> </ol>
Pérdidas de agua	<ol style="list-style-type: none"> <li>Espuma</li> <li>Es posible que el sello de la puerta se haya salido de su lugar.</li> <li>La abertura de ventilación anticondensación está bloqueada.</li> <li>Instalación incorrecta.</li> </ol>	<ol style="list-style-type: none"> <li>Usar un tipo inadecuado de detergente produce espuma y pérdidas. Utilice únicamente detergentes para lavadoras de platos. Si la espuma aún persiste, agregue una cucharada de aceite vegetal a la parte inferior de la lavadora de platos y haga funcionar el ciclo deseado.</li> <li>Asegúrese de que el sello de la puerta esté en su lugar.</li> <li>Asegúrese de que la abertura de ventilación anticondensación no esté bloqueada.</li> <li>Solicite a personal calificado que verifique que la instalación sea adecuada (suministro de agua, sistema de drenaje, nivelación, plomería).</li> </ol>
Manchas en la tina	<ol style="list-style-type: none"> <li>Las manchas en el interior de la lavadora de platos se deben al nivel de dureza del agua.</li> <li>Los cubiertos entran en contacto con la tina.</li> </ol>	<ol style="list-style-type: none"> <li>El jugo de limón concentrado puede reducir la acumulación de manchas causadas por el agua dura. Haga funcionar un ciclo normal hasta el ciclo de enjuague, interrumpa el ciclo y, luego, coloque una taza de 8 oz con una solución de jugo de limón concentrado en la rejilla superior y deje que el ciclo termine. Esto puede hacerse periódicamente para evitar la acumulación.</li> <li>Asegúrese de que los cubiertos no entren en contacto con la tina mientras está funcionando un ciclo.</li> </ol>
Vetas en los utensilios de vidrio o residuos en los platos	<ol style="list-style-type: none"> <li>Programación incorrecta del agente de enjuague.</li> </ol>	<ol style="list-style-type: none"> <li>Según el nivel de dureza del agua, ajuste el dispensador de agente de enjuague. Consulte la sección “Cómo agregar detergente y agente de enjuague” incluida en este manual para realizar ajustes.</li> </ol>
El panel con botones está decolorado o marcado	<ol style="list-style-type: none"> <li>Se usó un limpiador abrasivo</li> </ol>	<ol style="list-style-type: none"> <li>Utilice detergentes suaves con un paño suave humedecido.</li> </ol>
Ruido durante el ciclo de lavado	<ol style="list-style-type: none"> <li>Es posible que los platos no estén acomodados correctamente.</li> </ol>	<ol style="list-style-type: none"> <li>Si el sonido de la circulación del agua es normal, pero sospecha que los artículos se están chocando entre sí o contra los brazos rociadores, consulte la sección “Cómo operar la lavadora de platos” de este manual para conocer cuál es la disposición óptima.</li> </ol>
La cubierta del dispensador de detergente no cierra	<ol style="list-style-type: none"> <li>Uso incorrecto de la cubierta del detergente.</li> <li>El ciclo anterior no ha terminado, se ha reprogramado o fue interrumpido.</li> </ol>	<ol style="list-style-type: none"> <li>Consulte la sección “Cómo agregar detergente y agente de enjuague” de este manual para obtener instrucciones sobre cómo abrir y cerrar el dispensador.</li> <li>Consulte la sección “Cómo operar la lavadora de platos” de este manual.</li> </ol>
No se puede seleccionar el ciclo deseado	<ol style="list-style-type: none"> <li>El ciclo anterior no ha finalizado.</li> </ol>	<ol style="list-style-type: none"> <li>Consulte la sección “Cómo operar la lavadora de platos” de este manual.</li> </ol>

# Servicio al cliente

Su lavadora de platos Bosch no requiere ningún otro cuidado especial además del que se describe en la sección Cuidado y mantenimiento de este manual. Si tiene un problema con su lavadora de platos, antes de llamar al servicio técnico, consulte la sección Autoayuda en el manual. Si es necesario realizar el servicio técnico, comuníquese con su distribuidor o instalador, o con un centro de servicio técnico autorizado. No intente reparar el electrodoméstico por sus propios medios. Todo trabajo realizado por personal no autorizado puede invalidar la garantía.

Si tiene un problema con su lavadora de platos Bosch y no está conforme con el servicio técnico que ha recibido, siga los pasos que aparecen a continuación hasta que se corrija el problema, y usted quede conforme:

- 1 Llámenos al 1-800-944-2904
- 2 Comuníquese con Servicio al cliente por medio de nuestro sitio web:  
*www.bosch-home.com/us or www.bosch-appliances.ca*
- 3 Comuníquese con su instalador o con el contratista de servicio técnico autorizado por Bosch de su área.
- 4 Envíenos una carta:

*BSH Home Appliances Corporation  
5551 McFadden Avenue  
Huntington Beach, CA 92649*

Asegúrese de incluir la información de su modelo, así como una explicación del problema y la fecha en que este se originó.

Encontrará la información del número de modelo y de serie en la etiqueta que se encuentra en el borde de la puerta de la lavadora de platos.

Además, si nos envía una carta, incluya un número de teléfono al que podamos llamarlo durante el día.

Haga una copia de su factura y guárdela con este manual. A fin de recibir el servicio técnico de la garantía, el cliente debe presentar un comprobante de compra.



Esta lavadora de platos Bosch está respaldada por el sello de Good Housekeeping. La garantía limitada reflejada por el sello de Good Housekeeping significa que si dentro de los dos primeros años de compra se producen defectos en un producto que tiene el sello, Good Housekeeping reemplazará el producto o reembolsará el precio de compra. Para obtener detalles, visite [GHSeal.com](http://GHSeal.com).

# Información sobre la garantía

**Qué cubre esta garantía y a quiénes se aplica:** La garantía limitada otorgada por BSH Home Appliances (“Bosch”) en esta Declaración de Garantía Limitada del Producto se aplica únicamente a las lavadoras de platos Bosch (el “Producto”) que se le ha vendido a usted, el primer comprador usuario, siempre que el Producto haya sido comprado: (1) para su uso doméstico (no comercial) normal y haya sido utilizado en todo momento únicamente para fines domésticos normales; (2) nuevo, en una tienda minorista (que no sea un producto de exhibición, ni un producto vendido “en las condiciones en que se encuentra” ni un modelo devuelto anteriormente) y no esté destinado para reventa ni uso comercial; y (3) dentro de los Estados Unidos o Canadá, y haya permanecido en todo momento dentro del país de compra original. Las garantías establecidas en el presente se aplican únicamente al primer comprador del Producto y no son transferibles.

• Asegúrese de devolver su tarjeta de registro; si bien esto no es necesario para hacer efectiva la cobertura de la garantía, es la mejor manera de que Bosch le notifique en el caso poco probable de que se emita un aviso de seguridad o se retire del mercado un producto.

**Cuánto dura la garantía:** Bosch garantiza que el Producto no tiene defectos en los materiales ni en la mano de obra durante un período de trescientos sesenta y cinco (365) días a partir de la fecha de compra. El período precedente comienza a regir a partir de la fecha de compra y no se interrumpirá, dejará sin efecto, extenderá ni se suspenderá por ningún motivo. Los costos de mano de obra y de envío se incluyen en esta cobertura básica.

**Garantía limitada extendida:** Bosch también otorga las siguientes garantías limitadas adicionales:

• Garantía limitada de 5 años sobre los componentes electrónicos: Bosch reparará o reemplazará cualquier microprocesador o tablero de circuitos impreso de Bosch que tenga defectos en los materiales o en la mano de obra (sin incluir los cargos por mano de obra).

• Garantía limitada de 5 años sobre las rejillas para platos: Bosch reemplazará la rejilla para platos superior o inferior (sin incluir los componentes de las rejillas) si la rejilla tiene defectos en los materiales o en la mano de obra (sin incluir los cargos por mano de obra).

• Garantía de por vida contra la oxidación del acero inoxidable: Bosch reemplazará su lavadora de platos por una del mismo modelo o de un modelo actual que tenga una funcionalidad sustancialmente equivalente o mejor, si el recubrimiento interno se oxidara (sin incluir los cargos por mano de obra). Bosch reemplazará la puerta de acero inoxidable si la puerta se oxidara (sin incluir los cargos por mano de obra).

• El período precedente comienza a regir a partir de la fecha de compra y no se interrumpirá, dejará sin efecto, extenderá ni se suspenderá por ningún motivo.

**Reparación/Reemplazo como único recurso:** Durante el período de esta garantía, Bosch o uno de sus proveedores de servicio técnico autorizados reparará su Producto sin cargo para usted (con sujeción a determinadas limitaciones especificadas en el presente) si se prueba que su Producto ha sido fabricado con un defecto en los materiales o en la mano de obra. Si se ha intentado de manera razonable reparar el Producto sin éxito, Bosch reemplazará su Producto (es posible que usted tenga disponibles modelos mejorados, a entera discreción de Bosch, por un cargo adicional). Todas las piezas y los componentes extraídos serán propiedad de Bosch, a su entera discreción. Todas las piezas reemplazadas y/o reparadas se considerarán como la pieza original a los fines de esta garantía, y esta garantía no se extenderá con respecto a dichas piezas. En virtud del presente, la única y exclusiva responsabilidad y obligación de Bosch es reparar únicamente un Producto que tenga defectos de fábrica, a través de un proveedor de servicio técnico autorizado por Bosch, durante el horario normal de oficina. Por cuestiones de seguridad y daños materiales, Bosch recomienda especialmente que no intente reparar el Producto usted mismo ni use un centro de servicio técnico no autorizado; Bosch no tendrá responsabilidad ni obligación alguna por las reparaciones o trabajos realizados por un centro de servicio técnico no autorizado. Si usted opta por que una persona que no sea un proveedor de servicio técnico autorizado trabaje en su Producto, ESTA GARANTÍA SE ANULARÁ AUTOMÁTICAMENTE. Los proveedores de servicio técnico autorizados son aquellas personas o compañías que han sido especialmente capacitadas para manejar los productos Bosch y que tienen, según el criterio de Bosch, una reputación de servicio al cliente y una capacidad técnica superiores (debe tener en cuenta que son entidades independientes y que no son agentes, socios, afiliados ni representantes de Bosch). Sin perjuicio de lo que antecede, Bosch no tendrá responsabilidad ni obligación alguna por el Producto si este se encuentra en un área remota (a más de 100 millas de un proveedor de servicio técnico autorizado) o en un lugar, área circundante o entorno que no sea accesible por medios razonables o que sea peligroso, hostil o arriesgado; en cualquier caso, a su solicitud, Bosch de todas maneras pagará por la mano de obra y por las piezas, y enviará dichas piezas al proveedor de servicio técnico autorizado más cercano, pero usted seguirá siendo totalmente responsable del tiempo de viaje u otros cargos especiales de la compañía de servicio técnico, siempre que esta acepte hacer la visita de servicio técnico.

**Producto fuera de garantía:** Bosch no tiene obligación alguna, en virtud de la ley o por otro motivo, de otorgarle ninguna concesión, incluidas reparaciones, prorrates o reemplazo del Producto, con posterioridad al vencimiento de esta garantía.

**Exclusiones de la garantía:** La cobertura de la garantía descrita en el presente excluye todos los defectos o daños que no fueron provocados directamente por Bosch, incluidos, entre otros, uno o más de los siguientes: (1) uso del Producto de manera distinta del uso normal, habitual y previsto (incluida, entre otras, cualquier forma de uso comercial, uso o almacenamiento en exteriores de un producto diseñado para interiores, uso del Producto en aeronaves o embarcaciones); (2) conducta indebida, negligencia, uso indebido, abuso, accidentes, descuido, operación inadecuada, omisión de mantener, instalación inadecuada o negligente, adulteración, omisión de seguir las instrucciones de operación, manipulación inadecuada, servicio técnico no autorizado (incluidos “arreglos” o exploración de los mecanismos internos del electrodoméstico realizados por uno mismo) por parte de cualquier persona; (3) ajuste, alteración o modificación de cualquier tipo; (4) incumplimiento de los códigos, reglamentaciones o leyes aplicables de electricidad, plomería y/o construcción estatales, locales, municipales o de condado, incluida la omisión de instalar el producto cumpliendo estrictamente con los códigos y reglamentaciones locales de construcción y protección contra incendios; (5) desgaste habitual, derrames de alimentos, líquidos, acumulaciones de grasa u otras sustancias que se acumulen sobre el Producto, dentro o alrededor de este; y (6) cualquier fuerza y factor externo, elemental y/o ambiental, incluidos, entre otros, lluvia, viento, arena, inundaciones, incendios, aludes de lodo, temperaturas bajo cero, humedad excesiva o exposición prolongada a la humedad, rayos, sobrecargas eléctricas, fallas estructurales alrededor del electrodoméstico y caso fortuito. En ningún caso, Bosch tendrá responsabilidad ni obligación alguna por los daños ocasionados a los bienes circundantes, incluidos los gabinetes, pisos, techos y otras estructuras u objetos que se encuentren alrededor del producto. También se excluyen de esta garantía las rayas, hendiduras, abolladuras menores y daños estéticos en superficies externas y piezas expuestas; productos en los que los números de serie hayan sido alterados, modificados o eliminados; visitas de servicio técnico para enseñarle a usar el Producto o visitas en las que se determine que no hay ningún problema con el Producto; corrección de los problemas de instalación (usted es el único responsable de cualquier estructura y soporte del Producto, incluidas todas las instalaciones de electricidad y plomería o demás instalaciones de conexión, de la correcta instalación en bases/pisos y de cualquier alteración, incluidos, entre otros, gabinetes, paredes, pisos, repisas, etc.); y el restablecimiento de disyuntores o fusibles.

**EN LA MEDIDA PERMITIDA POR LEY, ESTA GARANTÍA ESTABLECE SUS RECURSOS EXCLUSIVOS CON RESPECTO AL PRODUCTO, INDEPENDIENTEMENTE DE QUE LA RECLAMACIÓN SEA CONTRACTUAL O EXTRA CONTRACTUAL (INCLUIDA LA RESPONSABILIDAD OBJETIVA O LA NEGLIGENCIA), O DE CUALQUIER OTRO MODO. ESTA GARANTÍA REEMPLAZA TODAS LAS DEMÁS GARANTÍAS EXPRESAS O IMPLÍCITAS. LAS GARANTÍAS IMPLÍCITAS POR LEY, YA SEA DE COMERCIABILIDAD O APTITUD PARA UN FIN ESPECÍFICO, O DE CUALQUIER OTRO TIPO, TENDRÁN VIGENCIA ÚNICAMENTE POR EL PERÍODO DE VIGENCIA DE LA PRESENTE GARANTÍA LIMITADA EXPRESA. EN NINGÚN CASO, EL FABRICANTE SERÁ RESPONSABLE POR LOS DAÑOS CONSECUENTES, ESPECIALES, INCIDENTALES, INDIRECTOS, POR “PÉRDIDAS COMERCIALES” Y/O DAÑOS PUNITIVOS, PÉRDIDAS O GASTOS, INCLUIDOS, ENTRE OTROS, TIEMPO FUERA DEL TRABAJO, HOTELES Y/O COMIDAS EN RESTAURANTES, GASTOS DE REMODELACIÓN QUE SUPEREN LOS DAÑOS DIRECTOS, QUE DEFINITIVAMENTE HAYAN SIDO CAUSADOS DE MANERA EXCLUSIVA POR BOSCH O DE OTRO MODO. ALGUNOS ESTADOS NO PERMITEN LA EXCLUSIÓN O LIMITACIÓN DE LOS DAÑOS INCIDENTALES O CONSECUENTES, Y ALGUNOS ESTADOS NO PERMITEN LIMITACIONES CON RESPECTO AL PLAZO DE VIGENCIA DE UNA GARANTÍA IMPLÍCITA; POR LO TANTO, ES POSIBLE QUE LAS LIMITACIONES PRECEDENTES NO SE APLIQUEN. ESTA GARANTÍA LE OTORGA DERECHOS LEGALES ESPECÍFICOS, Y TAMBIÉN PUEDEN CORRESPONDERLE OTROS DERECHOS QUE PUEDEN VARIAR SEGÚN EL ESTADO.** Ningún intento de alterar, modificar o enmendar la presente garantía entrará en vigencia, a menos que sea autorizado por escrito por un ejecutivo de BSH.

Cómo obtener el servicio técnico de la garantía: PARA OBTENER EL SERVICIO TÉCNICO DE LA GARANTÍA PARA SU PRODUCTO, DEBE COMUNICARSE CON EL CENTRO DE SERVICIO TÉCNICO AUTORIZADO POR BOSCH MÁS CERCANO, LLAMAR AL 800-944-2904 o enviar una carta a Bosch a: BSH Home Appliances - 5551 McFadden Avenue, Huntington Beach, CA 92649 /





BSH reserves the right to change specifications or design without notice. Some models are certified for use in Canada. BSH is not responsible for products which are transported from the United States for use in Canada. Check with your local Canadian distributor or dealer. BSH Home Appliances, Corporation, 5551 McFadden Avenue, Huntington Beach, CA 92649.

BSH se réserve le droit de modifier les données techniques ou le design sans préavis. Certains modèles sont certifiés pour une utilisation au Canada. BSH n'est pas responsable pour les produits transportés des États-Unis pour une utilisation au Canada. Vérifier auprès d'un marchand ou distributeur canadien. BSH Home Appliances Corporation, 5551 McFadden Avenue, Huntington Beach, CA 92649.

BSH se reserva el derecho de modificar las especificaciones o el diseño sin previo aviso. Algunos modelos están certificados para ser usados en Canadá. BSH no es responsable de productos que son transportados desde los Estados Unidos para ser utilizados en Canadá. Consulte a su distribuidor local en Canadá. BSH Home Appliances Corporation, 5551 McFadden Avenue, Huntington Beach, CA 92649.

# **BOSCH**