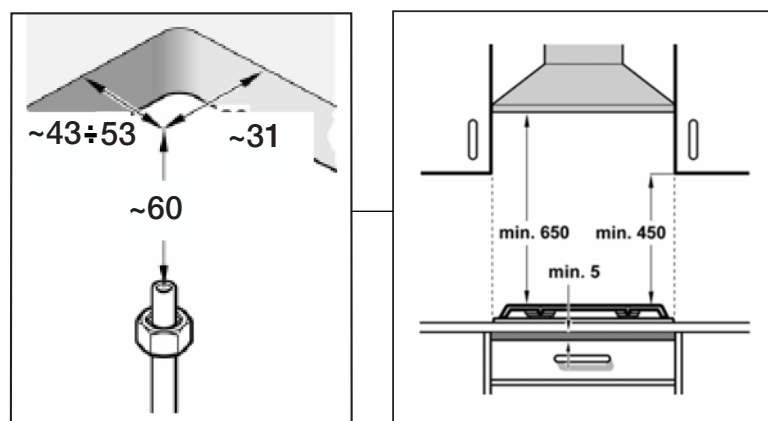
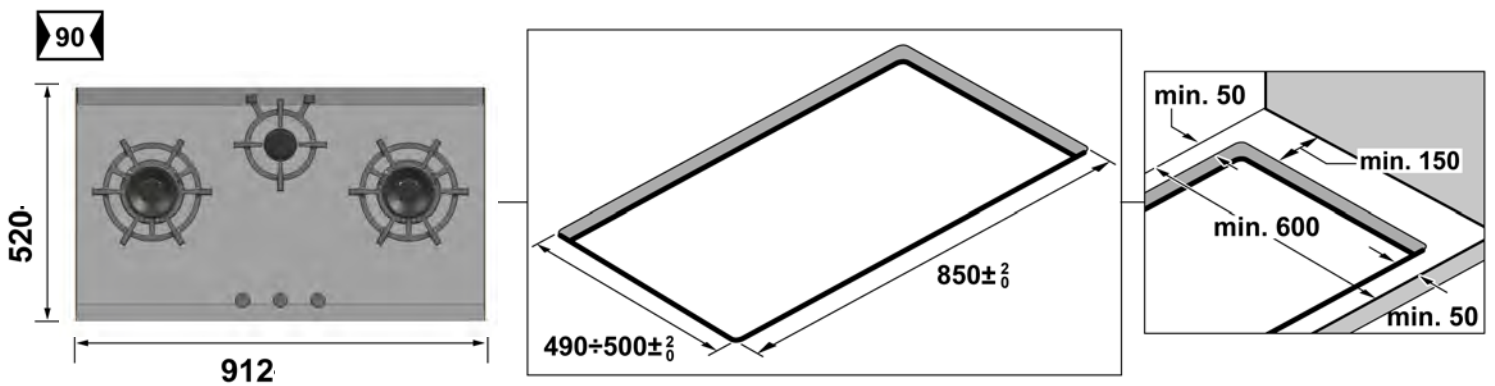
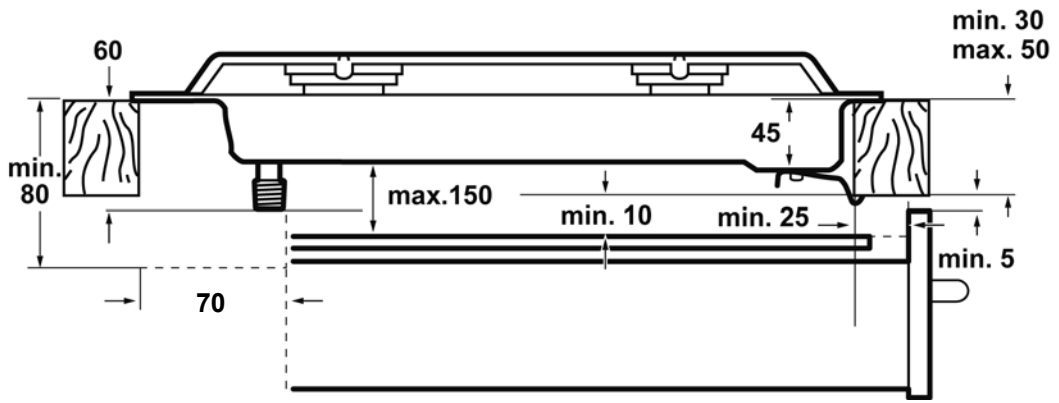


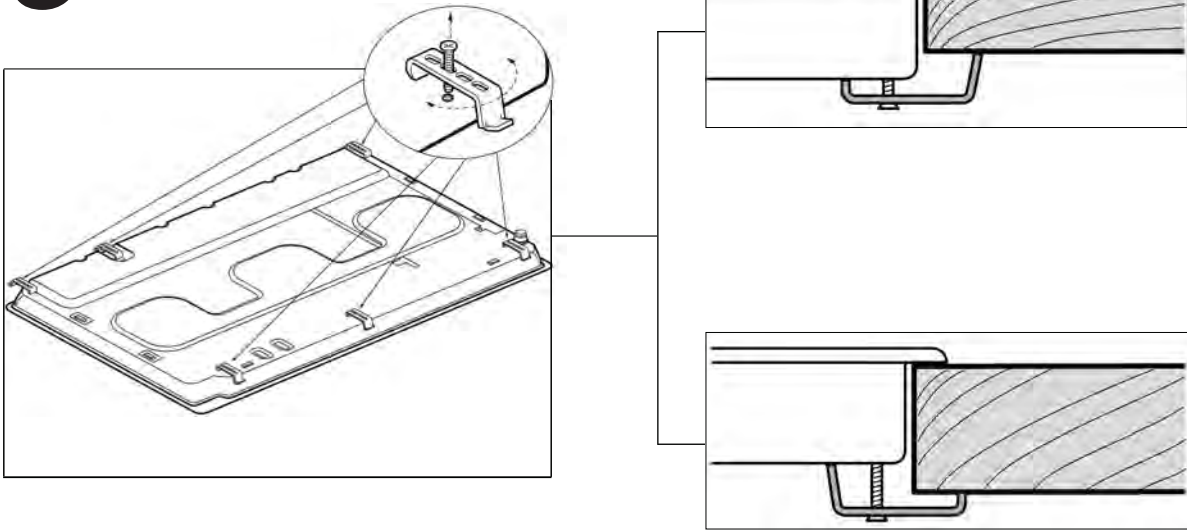
# 1



# 2

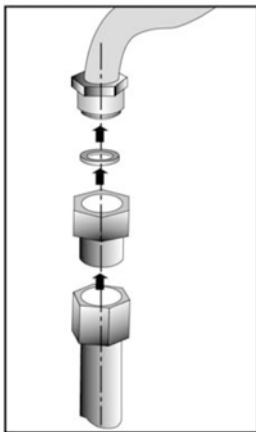


# 3

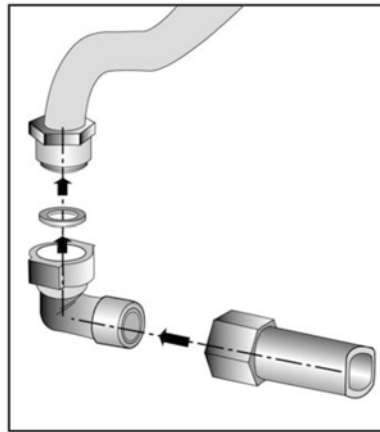


# 4

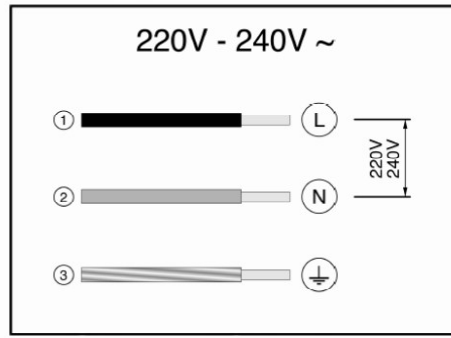
## 4a



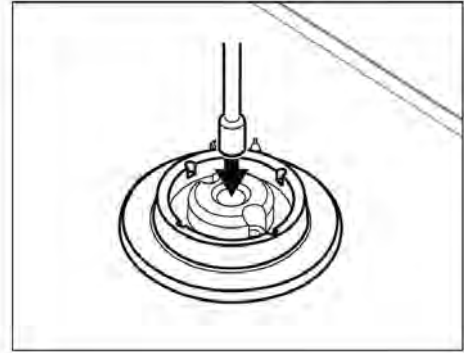
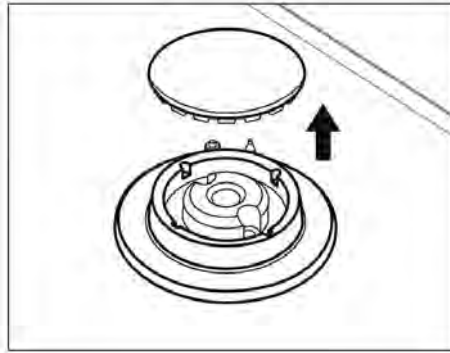
## 4b



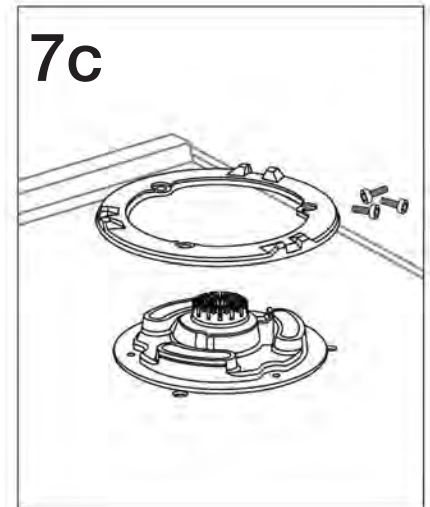
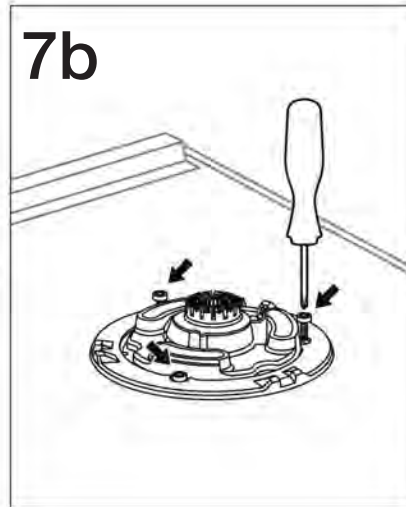
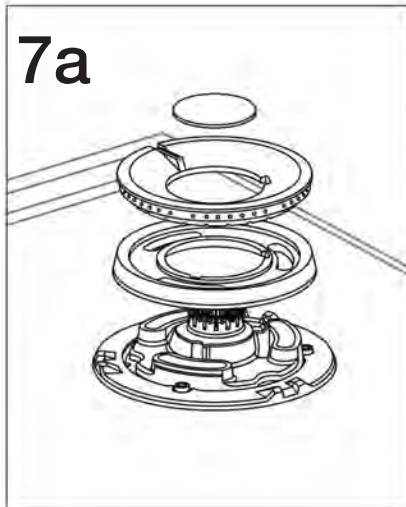
# 5



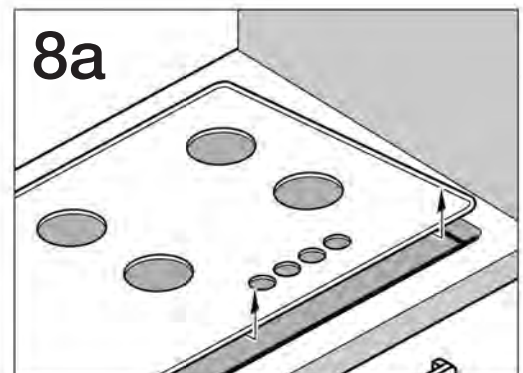
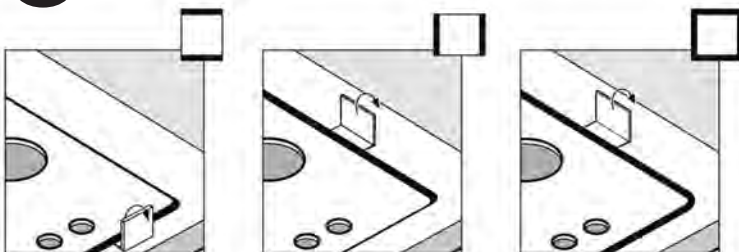
# 6



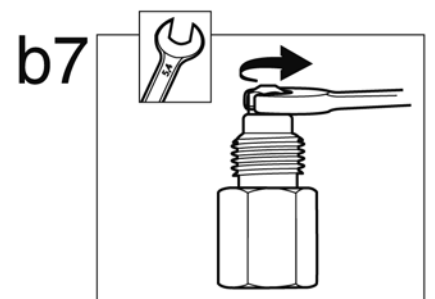
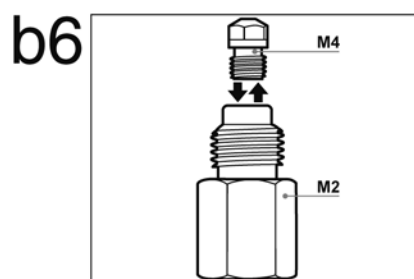
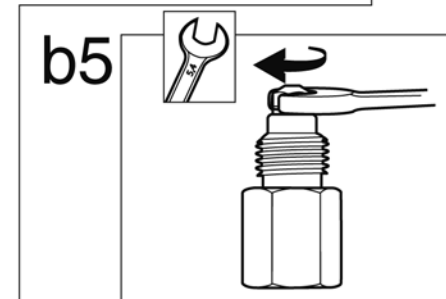
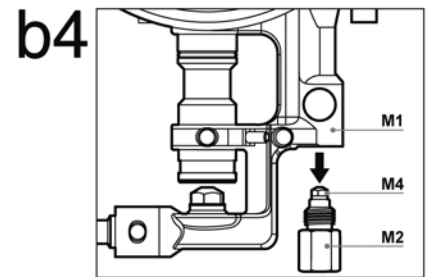
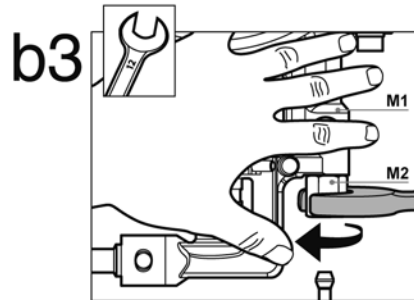
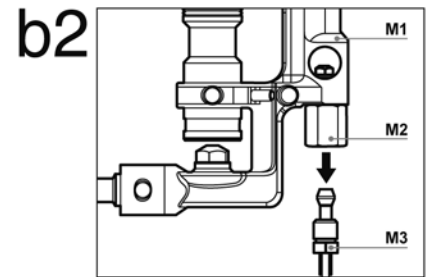
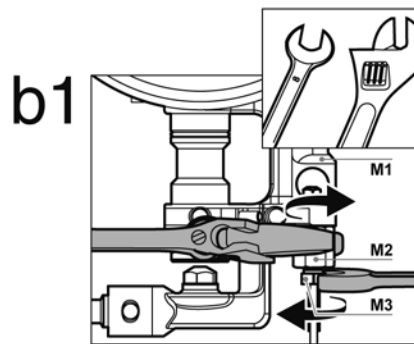
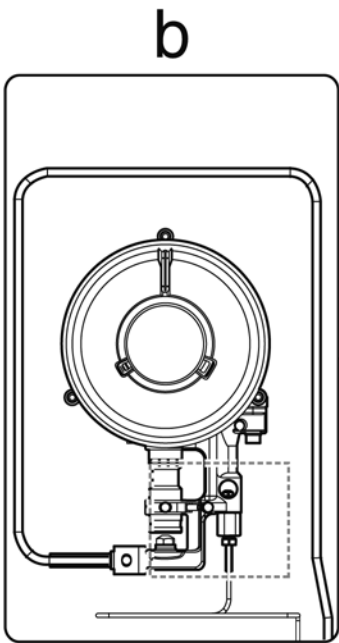
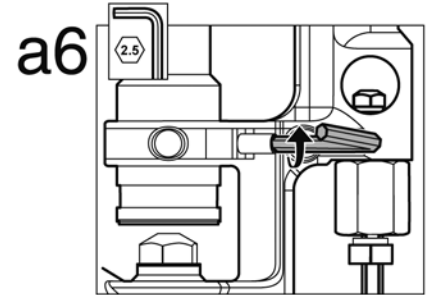
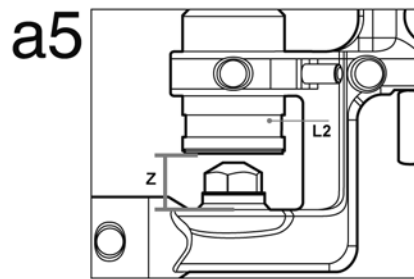
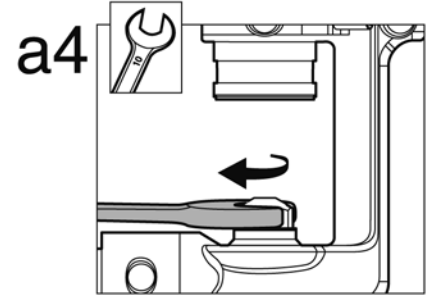
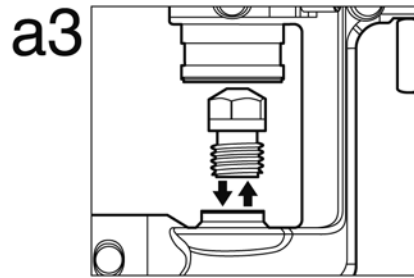
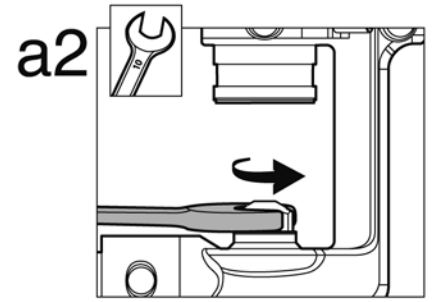
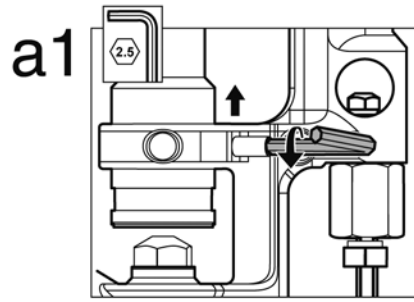
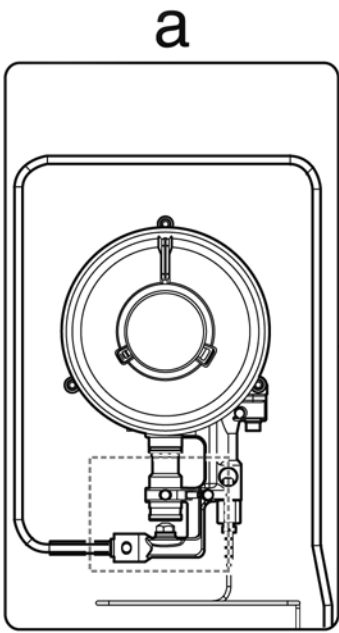
# 7



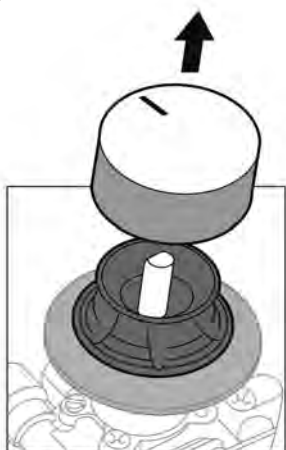
# 8



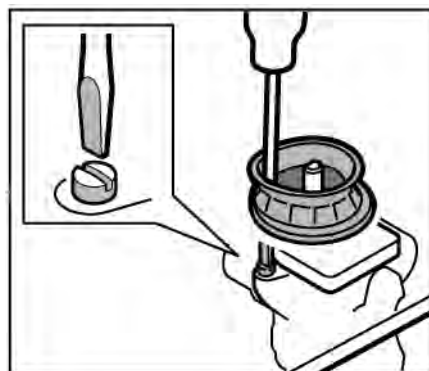
# 9



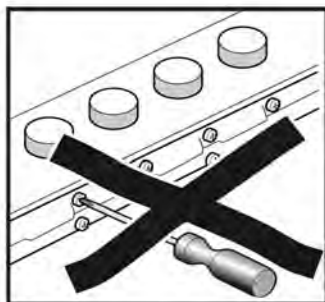
10



10 a



11



Read the appliance's instructions before installing and using.

The graphics in these Assembly instructions are given as a guide only. **The manufacturer is exempt from all liability if this manual's requirements are not complied with.**

## Safety instructions

**All operations relating to installation, regulation and conversion to other types of gas must be carried out by an authorised installation engineer, respecting applicable regulations, standards and the specifications of the gas and electricity providers.**

**Before you begin, turn off the appliance's electricity and gas supply.**

**You are recommended to contact the Technical Assistance Service to convert to another type of gas.**

This appliance has been designed for home use only. This appliance cannot be installed on yachts or in caravans. Before installing, you need to check that local distribution conditions (gas type and pressure) and the appliance's adjustment are compatible.

The appliance's adjustment conditions are written on the label or the specifications plate.

This appliance can only be installed in a well-ventilated place in accordance with existing regulations and ventilation specifications. The appliance must not be connected to a combustion product evacuation device.

The supply cable must be attached to the unit to prevent it from touching hot parts of the oven or hob.

Appliances with electrical supply must be earthed.

Do not tamper with the appliance's interior. If necessary, call our Technical Assistance Service.

## Before installing

This appliance is class 3 type, according to the **EN 30-1-1** regulation for gas appliances: built-in appliance.

The units next to the appliance must be made of non-flammable materials. The laminated covering and glue for adhering it must be heat resistant. This appliance cannot be installed above fridges, washing machines, dishwashers or similar.

An oven must have a power cooling fan to install a hob above it.

Check the oven's dimensions in its installation manual.

If an extractor fan is installed, you must follow the installation manual's instructions, always keeping a minimum distance of 650 mm to the hob.

## Preparation of kitchen unit (fig. 1-2)

Make an appropriate size cut in the work surface.

If the hob is electric or mixed (gas and electricity) and there is no oven below,

place a non-flammable separator (e.g. metal or plywood) 10 mm from the bottom of the hob. This will prevent access to the base of the hob.

If the hob is gas, it is recommendable to place the separator at the same distance.

On wood work surfaces, varnish the cutting surfaces with a special glue. This protects them from moisture which could collect under the work surface.

## Installation of appliance

The clips and the adhesive seal (underside of the hob) are factory-fitted: do not under any circumstances remove them. The seal ensures that the entire work surface will be watertight, and prevents water seepage.

In order to fit the appliance into the kitchen unit, first place the hob in the correct position then loosen each of the clips so that they all turn freely (it is not necessary to completely undo them). Insert and centre the hob.

Press the sides of the hob until it is supported around its entire perimeter. Turn the clips and tighten them fully.

Fig. 3

## Removal of hob

Turn off the appliance's electricity and gas supply.

Unscrew the clips and proceed in the reverse order to installation.

## Gas connection (fig. 4)

The end of the inlet connection point of the gas hob has a 1/2" (20.955 mm) thread that allows for:

- fixed connection.
- connection using a flexible metal pipe (L min. 1 m - max. 3 m). In this case, it is necessary to insert the accessory (427950) and the watertight seal (034308) supplied between the manifold outlet and the gas supply. Fig. 4a.

In this case, you must prevent the pipe from coming into contact with moving parts of the kitchen unit being inserted (for example, a drawer) and prevent access to any spaces which might become obstructed.

If you need to connect the gas supply horizontally, our Technical Assistance Service can supply you with an L-tube (code 173018) and a seal (code 034308). Fig. 4b.

**Warning!** If any connection is handled, check the seal.

Danger of leaks.

The manufacturer is not liable for any connection leaking, after being handled.

## Electric connection (fig. 5)

Check that the voltage and power of the appliance are compatible with the electrical installation.

The hobs are supplied with a power cable with or without a wall socket plug. Provide an omnipolar cut-off switch with a minimum contact separation of 3 mm (except for plug connections, if the user has access to it).

Appliances with plugs must only be connected to sockets that have earth wires correctly installed.

This appliance is type "Y": the supply cable can only be changed by the Technical Assistance Service and not the user. The cable type and minimum cross-section must be respected.

## Changing the gas type

If the country's regulations allow, this appliance can be adapted to other types of gas (see specifications plate). The components required for this are in the transformation kit supplied (depending on the model) available from our Technical Assistance Service. The following steps should be taken:

### A) Changing the nozzles of the semi-rapid burner on the hob (fig. 6):

- Remove the pan support, burner cover and diffuser.
- Change the nozzle using the spanner provided by our Technical Assistance Service (code 424699), taking special care to ensure that the nozzle does not fall when it is removed from the burner or when fitted.

Ensure that it is completely tightened in order to guarantee the seal. Primary air adjustment is not necessary with these burner.

### B) Changing the nozzles for double-flame burners (fig. 7):

The glass panel and frame are fixed to the rest of the hob using a clip mounting system. The following steps must be taken to remove the glass panel and frame:

- Remove all the burner covers and pan supports. Fig. 7a.

- Release the front clip fixing the appliance to the kitchen unit by removing the screw. Fig. 7b.

- Loosen the screws on the burners, fig. 7c-7d, and remove the control knobs from their respective housings.

Use the disassembly lever 483196 available from our Technical Assistance Service. To release the front clips, apply the lever in the area shown in figures 8 according to the hob model.

### Never use the lever on glass edges which have no trim or frame!

- To release the rear clips, carefully raise the entire glass panel and frame, as in fig. 8a.

### Changing the outer flame nozzle (fig. 9a):

- Loosen the clamp screw to release the bushing by moving it backwards to access the main nozzle easily. Fig. a1.

- Remove the outer flame nozzle by turning it towards the left. Fig. a2-a3.

- Screw in the new outer flame nozzle. Fig. a3-a4, as in table I.

- Adjust the distance of the airflow adjusting bushing L2 according to the value -Z- shown in table II. Fig. a5.

- Tighten the clamp screw. Fig. a6.

### Changing the inner flame nozzle (fig. 9b):

- Unscrew the part M3 from the threaded part M2; to do this, hold the threaded part in the opposite direction.

- Remove the pipe from the part M2. Fig. b2.

- Disassemble the assembly of parts M2 and M4 from part M1. Fig. b3-b4.  
- Remove the inner flame nozzle M4 from part M2. Fig. b5-b6.  
- Screw in the new inner flame nozzle M4, according to table II. Fig. b6-b7.  
Refit all the components, proceeding in the reverse order to removal.

### Adjustment of the taps

Set the control knobs to minimum.  
Remove the control knobs from the taps. Fig. 10.

It has a flexible rubber valve reinforcing ring. Simply press on this seal with the tip of a screwdriver to allow access to the tap adjusting screw. Fig. 10a.

### Never remove the valve reinforcing ring.

If the by-pass screw cannot be accessed, disassemble the glass panel and frame described in: Changing the nozzles for double-flame burners. Fig. 7.  
Adjust the minimum ring setting by turning the by-pass screw using a flat head screwdriver.

Depending on the gas to which your appliance is going to be adapted, see table II, carry out the corresponding action:

A: firmly tighten the by-pass screws.  
B: loosen the by-pass screws until the gas flow from the burners is correct: when adjusting the control knob between maximum and minimum, the burner does not go out, nor is there a flame backdraught created.  
C: the by-pass screws need to be changed by an authorised installation engineer.

D: do not touch the by-pass screws. It is important that all the seals are refitted to form an electrical seal. These devices are essential for the correct operation of the appliance as they prevent liquids and dirt from entering the appliance.

Refit the control knobs.

Never remove the tap spindle (fig. 11). In the event of a malfunction, change the whole tap.

**Warning! After finishing, the sticker indicating the new type of gas must be placed close to the specifications plate.**

### 中文版

安裝與使用爐具前請先詳閱說明。

組裝說明中的圖示僅為引導之用。

製造商免除因未遵守本手冊之要求而起的所有責任。

### 安全性說明

安裝、調整和轉換成其他類型瓦斯的所有相關操作，皆須由經認證核可的技師執行，並遵守所有適用法規、標準與瓦斯與電力供應商的規格。開始使用前，請先關閉爐具的供電與瓦斯供應。

建議您連絡本公司技術協助服務部以轉換成其他類型的瓦斯。電話:0800-368-888。

本爐具係設計成僅供家用，本爐具不可安裝在遊艇或活動拖車上。安裝之前，您需先確認當地的配管狀況（瓦斯種類與壓力）及爐具的調整可否相容。

爐具的調整條件載明於標籤或規格銘板上。  
根據現行法規與通風規格規定，本爐具僅可安裝於通風良好處。爐具不得連接可燃物排空設備。供氣管必須緊附廚具，避免其觸及烤箱或爐台。

具有電力供應的爐具必須接地。請勿竄改爐具內裝。如必要，請聯絡本公司技術協助服務部。

### 安裝之前

根據 EN 30-1-1 瓦斯爐具法規：內嵌式爐具之規定，本爐具為第 3 級爐具。

爐具附近的廚具必須以不可燃原料製成。層板覆蓋和黏著用塗膠必須能耐熱。本爐具不可裝設在冰箱、洗衣機、洗碗機或類似用具上方。

烤箱必須具有動力冷卻風扇，方可安裝爐台在烤箱上方。請確認烤箱安裝手冊中有關烤箱尺寸之資訊。

若裝設有抽氣扇，您必須按安裝手冊指示行事，抽氣扇必須一貫和爐台保持至少 650 公厘的距離。

### 廚具設置 (圖 1-2)

整理出尺寸合宜的工作檯面。若爐台為電子式或混合式（瓦斯加電子）且下無烤箱，請在從爐底算起 10 公厘處放置一片不可燃隔離板。此舉可避免觸及爐台底部。若爐台為瓦斯式，建議在相同距離處放置隔離板。

請在木製工作檯表面上，用特殊膠水替經裁切表面塗漆。此舉可保護檯面不受可能聚集在工作檯表面下的濕氣侵擾。

### 安裝爐具

螺絲和黏著密封墊（爐台底面）為原廠裝設：任何情況下，皆請勿拆除。密封墊可確保整個工作檯面防水無虞，避免水分滲流。

為了將爐具裝入廚具內，請先把爐台放置在正確的位置上，然後鬆開每個螺絲，令其皆可自由轉動（不必完全鬆開）。插入爐台並將爐台位置調整到中間。

請壓住爐台的側邊，直到爐台能夠支撐爐具的整個周邊。轉動螺絲並完全鎖緊。圖 3。

### 移除爐台

關閉爐具的電源和瓦斯供應。鬆開固定夾螺絲，按安裝步驟反向操作行事。

### 瓦斯接管 (圖 4)

瓦斯爐入口接管點的末端有一個 1/2 吋 (20.955 公厘) 的螺紋，允許用於：

- 固定式接管。
- 使用彈性金屬管（長至少 1 公尺，最多 3 公尺）的接管。遇此情況，必須在歧管出口和瓦斯供應之間插入爐具提供的防水密封墊 (034308)。圖 4a。

遇此情況，您必須避免管子和被插入的廚具可移動零件接觸（例如抽屜），且避免對空間造成任何阻礙。若您需水平連接瓦斯供應，可向本公司技術協助服務部門詢問相關所需零件訊息給您。或以原廠附贈的 90 度彎頭進行安裝。圖 4b。

**警告！**處理任何接管時，請檢查密封墊是否妥當無虞。

溢漏危險。

處理過後，製造商不針對任何接管溢漏問題承擔責任。

### 電力接線 (圖 5)

檢查爐具的電壓和功率是否與電力設備相容。

爐台附有可能可插或不可插牆壁插座插頭的電力管線。提供具有最小接觸開口為 3mm 的全極斷電開關（除供插頭連接以外，亦針對使用者須接觸開關之便）。

具插頭的管線必須插入具有正確安裝接地線的插座。

本爐具為「Y」型：供氣管僅能由技術協助服務人員更換，而非使用者。使用者須遵管型和最小橫斷面規定行事。

### 變更瓦斯類型

若國家法規許可，本爐具可採用其他類型的瓦斯（詳情請見規格銘板所載）。爐具提供的轉換工具組中備有所需元件（按樣式而定），或可向本公司技術協助服務部詢問。應採取下列步驟：

#### A) 更換爐台上半快速燃爐的瓦斯噴嘴 (圖 6)：

- 取下爐架、燃爐套蓋和擴散器
- 或詢問本公司服務部相關所需零件訊息，特別注意確保噴嘴不會在拿離或裝到燃爐上時掉落。確定完全鎖緊，以保障密封無虞。

這些燃爐無需進行基本空氣調整。

#### B) 更換雙焰燃爐的噴嘴 (圖 7)：

玻璃面板和外框皆以螺絲固定系統裝設在爐台的其餘部分。欲取下玻璃面板和外框，須採取下列步驟：

- 移除所有燃爐套蓋和鍋架。圖 7a。

- 移除螺絲，鬆開將爐具固定在廚具上的固定夾。圖 7b。

- 鬆開燃爐上的螺絲，圖 7c-7d，從個別底座上取下控制旋鈕。使用可向本公司服務部詢問相關訊息。請按爐台樣式在圖 8 所示區域中，使用拆解桿來解開。**切勿在無修邊或外框的玻璃邊緣使用拆解桿。**

- 如圖 8a 所示，小心抬起整座玻璃面板和外框以解開後固定夾。

**更換外焰噴嘴 (圖 9a)：**

- 鬆開固定夾的螺絲，把轉接器往後移，以方便接觸主噴嘴。圖 a1。

- 將外焰噴嘴向左轉動並取下。圖 a2-a3。

- 用螺絲鎖上新的外焰噴嘴。圖 a3-a4，如表 I 所示。

- 調整氣流距離，根據表 II 所示的 Z 值來調整轉接器。圖 a5。

- 鎖緊固定夾螺絲。圖 a6。

**更換內焰噴嘴 (圖 9b)：**

- 從螺紋零件 M2 上轉下零件 M3 的螺絲；請朝反方向握住螺紋零件以完成本操作。

- 將管子從零件 M2 上移除。圖 b2

- 從零件 M1 上拆下零件 M2 和 M4 的組件。圖 b3-b4。

- 從零件 M2 上拆下內焰噴嘴 M4。圖 b5-b6。

- 根據表 II，用螺絲鎖上新內焰噴嘴 M4。圖 b6-b7。

重新裝回所有元件，按移除程序的步驟反向操作。

**調整瓦斯閥**

將控制旋鈕轉至最小火。

從瓦斯閥上取下控制旋鈕。圖 10。

其有一彈性橡膠閥加固環。用螺絲起子尖端壓住次密封墊，即可觸及瓦斯閥的調整螺絲。圖 10a。

**切勿取下閥門加固環。**

若無法觸及旁通管螺絲，請拆下說明中述及的玻璃面板和外框；更換雙焰燃爐所用的噴嘴。圖 7。

用一字螺絲起子轉動旁通管螺絲，調整最小程度的環設定。

請參考表 II，根據貴府爐具所採用的瓦斯種類，執行以下動作：

A：鎖緊旁通管螺絲。

B：鬆開旁通管螺絲，直到燃爐流出的瓦斯流正確為止；在最大火和最小火之間調整控制旋鈕時，燃爐不會熄滅，也不會有回火產生。

C：噴嘴更換需要由經本公司服務部工程師進行更換。

D：請勿觸摸旁通管。

重要事項，將所有密封墊重新裝回，並確保完全密封。





這些裝置對爐具的正確運作而言非常重要，因為其可避免液體或灰塵進入爐具。

重新裝上控制旋鈕。

切勿取下瓦斯閥旋軸 (圖 11)。

如有故障，請更換整組瓦斯閥。

**警告：作業完成後，必須在接近規格銘版處貼上說明瓦斯新類型的貼紙。**

	GAS	mbar		Qn (Kw)	
	NG	15	101	1,5	29
	LPG	29	75	1,5	29
	NG	15	171	4,5	-
			69	-	27
	LPG	29	115	4,5	-
			47	-	27

	NG/15	LPG/28
NG/15		A
LPG/28	B	