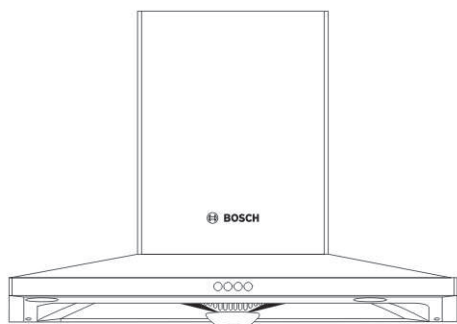
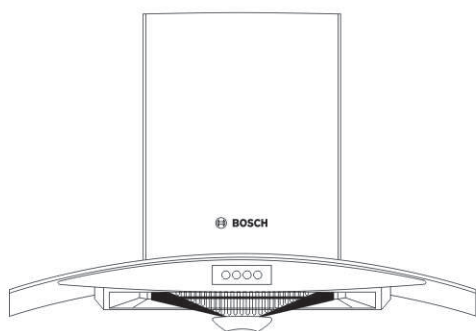




BOSCH

Operating and Installation Manual for Cooker Hoods



DKE906H
DKE908P

Preface

Thank you for choosing Bosch cooking appliance.

Before using your appliance for the first time, please read these instructions for use carefully.

They contain important information concerning your personal safety as well as on use and care of the appliance.

Any failure or losses caused by disregarding the precautions mentioned in this manual will not be covered under Bosch warranty.

This manual should be kept in a safe place for future reference. If in doubt, kindly contact our service centre or dealer.

Table of Contents

1



Key Information	Packaging of New Cooker Hood	2
	Disposal of Used Cooker Hood	2
	Before You Begin	2
Product Introduction	Technical Parameters	3
	Product Standards	3
	Safety Precautions	3
Operating Instruction	Getting familiar with Your New Cooker Hood	5
	Control Panel and Operating Instruction	5
Installation Instruction	Safety Precautions	6
	Installation Position and Height	7
	Installation of Fasteners	8
	Fixing Cooker Hood	9
	Connection of Exhausted Pipe	9
	Connection of Adjustable Cover	10
Cleaning, Maintenance and Repair	Installation of Oil Collector	10
	Test Run	11
	Cleaning and Maintaining Your Cooker Hood	11
	Trouble Shooting	12
Customer Service	Changing the Halogen Bulb	13
	Tips	14

Note:

BSH Appliances Sdn Bhd reserves the right to change the content of this Operating and Installation Manual without prior notice.

Product Introduction

Technical Parameters

Product Model	DKE906H	DKE908P
Appearance		
Rated Voltage	220-240 ~50Hz	
Input Power Motor	150W	
Light	2X20W	
Air Volume m ³ /min	14.5 ± 1	
Static Pressure Pa	≥ 300(maximum)	
Noise dB(A)	≤ 69	
Net Weight (kg)	21.2	20
Dimension Length	900	900
mm Width	505	530
Height	600	595

Product Standards

- The product conforms to the following national standards:

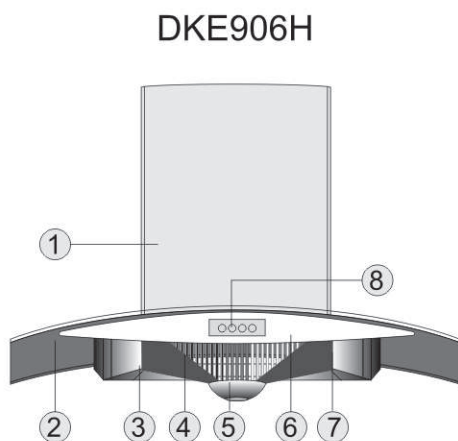
IEC 60335—1:2001(Fourth Edition+incl.A1:2004 + A2,C1:2006) Household and similar electrical appliance-safety-part 1 General Requirements

IEC 60335—2—31:2006 (Ed 4.1) Household and similar electrical appliances - safety - Part 2 - 31 Particular requirements for range hoods and other cooking extractors

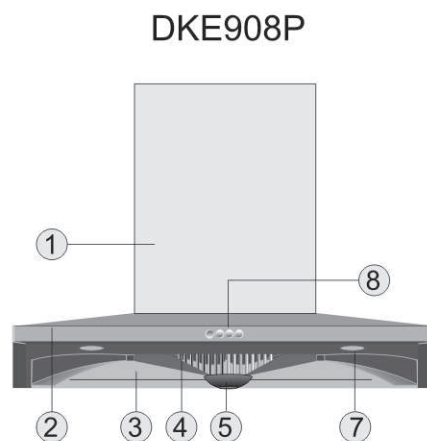
Safety Precautions

- **Risk of Carbon Monoxide Intoxication!**
When the cooker hood is operated in exhaust air mode simultaneously with a different burner which also makes use of the same chimney, care must be taken to ensure that there is an adequate supply of fresh air which will be needed by the burner for combustion.
- **Burn risk!**
NEVER touch the lamp cover when the lamp is turned on or off immediately as you may get burnt.
- **Fire risk!**
DO NOT turn on the gas burner without a pan or with an empty pan.
Clean the grease filter frame and oil collector regularly.
DO NOT roast directly under the cooker hood.

Getting Familiar with Your New Cooker Hood





- 1. Duct
- 4. Filter Frame
- 7. Lamp



- 2. Glass Cover/Screen
- 5. Oil Collector
- 8. Switch
- 3. Inner Frame
- 6. PMMA Panel

Control Panel and Operating Instruction

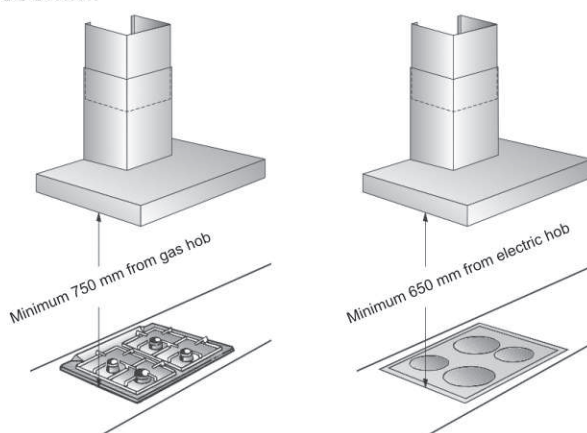


- "Light  " button
To turn on and turn off the lamp.
 - "Fan Speed 1, 2, 3" buttons
To control the fan speed. Three buttons control three speed ranks correspondingly.
 - "Fan Power 0" button
To turn off the fan, and share the same button as the "Fan Speed 1" button.
 - Before being powered on, all the buttons are placed in upward positions.
1. Push down the "Light  " button, the lamp is turned on. Push it upward, the lamp is turned off. The lamp is controlled independent from the "Fan Speed 1, 2, 3" buttons and the "Fan Power 0" button.
 2. Push down any one of the "Fan Speed 1, 2, 3" buttons, the fan starts working at a corresponding rotation speed. Push upward the "Fan Power 0" button to turn off the fan.
 3. The three fan speed buttons are linked.
If any one of the fan speed buttons is pushed down, the left ones are also linked. Start a corresponding rotation speed.
If any one of the fan speed buttons is pushed upward, the right ones are also linked. Turn off the corresponding rotation speed and work at a low speed. Push upward the "Fan Power 0,3", all the three fan speed buttons are turned off.

Installation Instruction

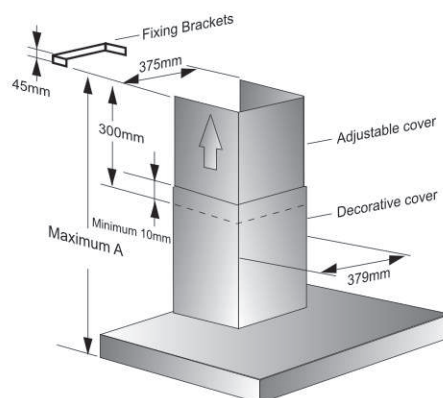
Installation Position and Height

- Install the cooker hood in a dry place and avoid direct sunlight.
- The cooker hood is intended to be mounted onto the kitchen wall.
- Always mount the cooker hood over the centre of the hob.
- Ensure that the minimum distance between
 - the cooker hood and a gas hob is maintained at 750mm.
 - the cooker hood and a electric hob is maintained at 650mm.



- Each cooker hood is equipped with an adjustable cover. The adjustable hood is installed in the decorative cover, which may be drawn upwards to cater the installation height. Please read the dimensions shown in the figure before using the adjustable cover. The adjustable cover is fixed on the wall by using fixing brackets via screws.

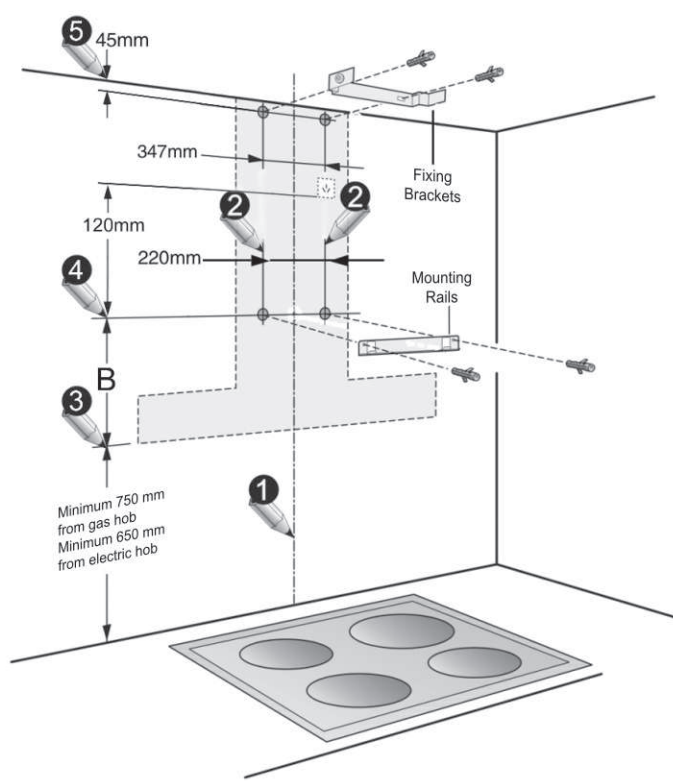
Product Model	DKE906H	DKE908P
Dimension A(mm)	840	880



Installation Instruction

- Installation of Fasteners**
- Determine the installation positions of the fasteners (fixing brackets and mounting rails) on the wall and follow steps indicated in photo below. If the adjustable cover is not needed, skip step 5.
 - Draw a line on the wall from the ceiling to the lower edge of the hood at the centre of the location where the hood is going to be mounted.
 - After determining the installation positions of the fasteners on the wall, use a driller with a diameter of 10 mm to drill holes in the wall.
 - Insert the accessory wall plug into the drilling holes and fix the fasteners (fixing brackets and mounting rails) onto the wall with the accessory fixing screws.

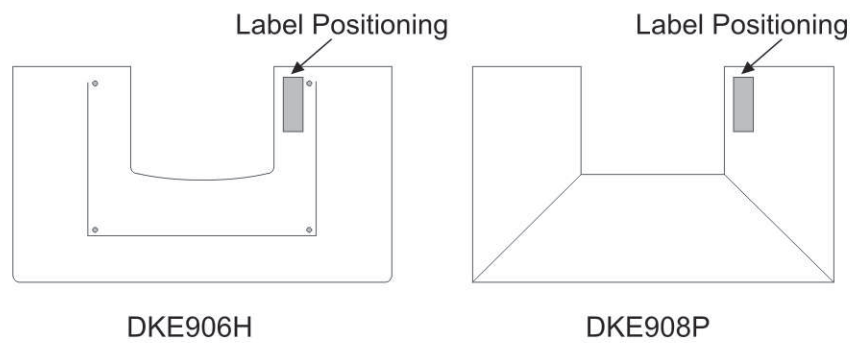
Product Model	DKE906H	DKE908P
Dimension B(mm)	460	495



Note:
The lower edge of dimension B is the bottom point of cooker hood. (Oil collector is not included)

Tips

- When cleaning things around the cooker hood (such as ceiling, cabinet) which may touch the hood, please wear protection glove or take other protection measures to prevent injuries.
- If your cooker hood does not work properly, check the possible explanations in “Trouble shooting” page before calling our customer service centre to avoid charges.
- If you have any question or if a fault occurs, please call our customer service. When you call, please quote the E-Nr. (product number) and FD (production date). Informations are shown on the rating label as below:



BOSCH BSH Electrical Appliances (Jiangsu) Co.,Ltd		Attention	
Hood Type	Type	<ul style="list-style-type: none"> ○ Avoid turning on the gas hob without a pan or with an empty pan, so as to protect the product. ○ Select a proper detergent, to avoid the coating peels off the surface of the product. ○ The cooker hood needs to be cleaned regularly to remove water and grease stains on the surface. (make sure no water enter the electric components such as switch and motor) ○ Wear rubber gloves when cleaning the cooker hood, to prevent your finger from being hurt in cleaning. ○ Unscrew the screw nut with hands in a clockwise direction. 	
E-Number	Input	<ul style="list-style-type: none"> ○ Pull off the electric plug before cleaning. ○ Laymen are forbidden to change and detach internal circuits of the electric appliance. 	
Voltage/Frequency	Elec.Control		
Color/Material	Serial No.		
FD No.	Origin		

P15 整页删除

Material number: 9000565994

Version: 02

Revised date: 2011.05

Guarantee: The guarantee conditions for this appliance are as defined by our representative in the country in which it is sold. Details regarding these conditions can be obtained from the dealer from whom the appliance was purchased. The bill of sale or receipt must be produced when making any claim under the terms of this guarantee.



BOSCH