

B26FT...



BOSCH

- en Operating and installation instructions
- fr Notices d'utilisation et de montage
- es Instrucciones de uso y de montaje

en	Table of Contents	3
fr	Table de matières	29
es	Índice	55

en Table of Contents

IMPORTANT SAFETY INSTRUCTIONS	4
Congratulations	5
Disposal information	5
Installation	6
Installing and connecting the appliance	7
Appliance and installation dimensions	11
Getting to know your appliance	12
Control and display panel	13
Operating tips	14
Switching on the appliance	14
Setting the temperature	14
Alarm function	14
Panel lock	15
Super cooling	15
Super freezing	15
quick ice	15
Water filter symbol	15
Temperature unit	16
Refrigerator compartment	16
Vita Fresh compartment	16
Deli drawer	17
Variable interior design	17
Freezer compartment	18
Freezing food	18
Purchasing and storing deep-frozen food	18
Thawing frozen food	18
Freezer compartment features	19
Ice and water dispenser	19
Water filter	21
Specification and performance data sheet	22
Energy-saving tips	23
Operating noises	23
Defrosting	23
Switching off and disconnecting the appliance	23
Cleaning	23
LED light	24
Troubleshooting minor issues	25
Customer service	28

IMPORTANT SAFETY INSTRUCTIONS

READ AND SAVE THESE INSTRUCTIONS!

Before operating the appliance

Please read the operating and installation instructions carefully! They contain important information on how to install, use and maintain the appliance. Keep all documentation for subsequent use or for the next owner.

Technical safety

Only customer service technicians may change the power cord and carry out any other repairs. Improper installations and repairs may put the user at considerable risk.

Important information when using the appliance

- Never use electrical devices inside the appliance (such as heaters, electric ice makers, etc.). **Risk of explosion!**
- Never use a steam cleaner to defrost or clean the appliance. The steam may penetrate electrical parts and cause a short-circuit or electric shock.
- Before cleaning, unplug the appliance or switch off the fuse. Do not tug on the cord to unplug the appliance.
- Do not store products in the appliance that contain flammable propellants (such as spray cans) or explosive substances. **Risk of explosion!**
- Bottles containing a high percentage of alcohol must be sealed and stored in an upright position.
- Do not store bottled or canned liquids (especially carbonated drinks) in the freezer compartment. Bottles and cans may explode!
- Do not stand or support yourself on the base, drawers or doors or other parts of the appliance. You could damage the appliance.
- Keep plastic parts and the door seals free of oil and grease. Otherwise, plastic parts and door seal will become porous.

- Never cover or block the ventilation openings for the appliance. This forces the refrigerator to work harder, increasing its power consumption.
- Individuals with physical, sensory or mental limitations or limited knowledge about the appliance must be supervised or must be provided with more detailed instructions before using the appliance.
- Do not place popsicles or ice cubes straight from the freezer compartment into your mouth. **Risk of low-temperature burns!**
- Do not touch frozen surfaces or food in the freezer with wet hands. Skin may adhere to these extremely cold surfaces. **Risk of injury!**
- Do not scrape off frost or stuck frozen food with a knife or pointed object. You could damage the appliance.

Children in the household

- Do not allow children to play with the appliance!
- If the appliance features a lock, keep the key out of the reach of children.

General requirements

The appliance is suitable for

- refrigerating food
- freezing food
- making ice
- dispensing drinking water.

This appliance is designed for household use only.

The appliance is shielded from interference and voltage peaks.

The refrigerant circuit has been tested for leaks.

Definitions



WARNING

This indicates that death or serious injuries may occur as a result of not observing this warning.



CAUTION

This indicates that minor to moderate injuries may occur as a result of not observing this warning.

NOTICE

This indicates that damage may occur as a result of not observing this warning.

Congratulations

By purchasing this new Fridge-freezer, you have opted for a modern, high quality household appliance.

This Fridge-freezer is distinguished by its economical energy consumption.

Each appliance that leaves our factory is inspected thoroughly to ensure that it is working properly and is in perfect condition.

If you have any questions, particularly with regard to installing and connecting the appliance, please do not hesitate to contact our customer service.

You can visit our Internet site to obtain more information and view our range of products.

Disposal information

Disposal of packaging

The packaging protects the appliance from damage in transit. All packaging materials are environmentally friendly and recyclable.

Please contribute to a better environment by disposing of packaging materials in an environmentally friendly manner.

Please contact your local dealer or local authority about current disposal options.



WARNING

Risk of suffocation from cardboard boxes and plastic film!

Keep packaging and packaging components away from children.

Disposal of your old appliance

Old appliances are not worthless junk! Valuable raw materials can be reclaimed by recycling old appliances.



WARNING

Risk of child entrapment!

Children can lock themselves in the appliance.

Before disposing of the old refrigerator:

Remove the doors and the freezer compartment drawer.

Leave the shelves and containers in place so that children may not easily climb inside.

Disused appliances:

1. Disconnect the power plug.
2. Cut off the power cord and discard with the power plug.

Refrigerators contain refrigerants and their insulation contains gases.

Refrigerant and gases must be disposed of properly. Ensure that the tubing of the refrigerant circuit is not damaged prior to proper disposal.

Installation

Transport and installation

The appliance is heavy and must be secured during transport and installation.



WARNING

Risk of injury!

The appliance is very heavy. It can fall over and cause serious injuries during transport and installation. At least two people are required to install the appliance safely. Keep the refrigerator doors closed until the appliance is upright and level at the installation location.

Installation location



WARNING

Risk of explosion!

Do not install the appliance near explosive or flammable substances.

NOTICE

Do not install the appliance outdoors.

The installation location should be dry and should not be exposed to frost.

The best installation location is a dry, well ventilated room. The installation location should neither be exposed to direct sunlight nor should it be near a heat source, such as a stove, radiator, etc. If installation next to a heat source is unavoidable, use a suitable insulating plate or observe the following minimum distances to the heat source:

- 1 1/4" (3 cm) to electric or gas stoves.
- 11 3/16" (30 cm) to oil or solid fuel stoves.

If installing the refrigerator next to another refrigerator/freezer, there must be a minimum clearance of 1" (25 mm) between the appliances to prevent condensation.

If a panel or cupboard is installed above the appliance, ensure to leave a 13/32" (10 mm) gap so that the appliance can be pulled out of the recess if required.

The air heated at the back of the appliance must be allowed to escape unhindered.

To ensure that the doors can open all the way, maintain the lateral minimum clearances when installing the appliance in a corner or recess (see section on "Appliance and installation dimensions").

If the depth of the adjacent kitchen equipment exceeds 29 1/8" (75 cm), maintain the minimum lateral clearances in order to utilize the full door opening angle (see section "Door opening angle").

Subsurface

NOTICE

The appliance is very heavy.

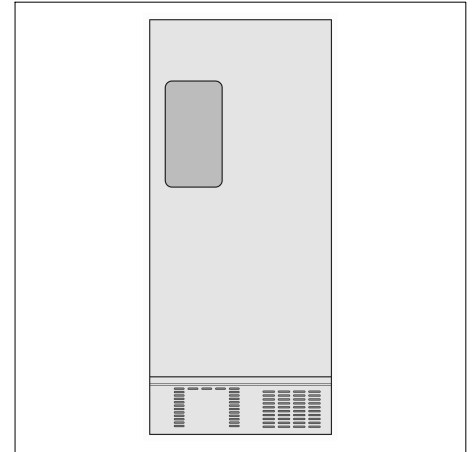
The floor on which the appliance is to be installed must be rigid. Reinforce the floor, if necessary.

Weight of appliance when empty:

Basic model 324 lb (147 kg)

Ventilation

Never cover the ventilation openings on the front base panel or rear cover plate.



This forces the appliance to work harder, increasing its power consumption.

Installing and connecting the appliance

- Have a technician install and connect the appliance according to the installation instructions in this manual.
- After installing the appliance, wait at least 8 hours before plugging in the appliance. The oil in the compressor may have flowed into the refrigeration system during transport.
- Clean the interior of the appliance before operating it for the first time (see "Cleaning the appliance").
- Always connect the water before the power.
- In addition to statutory national regulations, compliance with the connection requirements of local electricity and water utility companies is also required.
- Do not remove transport protection devices from the shelves and storage compartments until after the appliance has been installed.
- Only a customer service technician should remove the appliance doors if this is necessary in order to bring the appliance through any household doors.

Water connection



WARNING

Risk of electric shock and damage to the appliance!

Disconnect the appliance from the power source before performing any work on the water connection.

Only a qualified installation technician may connect the appliance to the water supply in accordance with plumbing and relevant water utility company regulations.

Connect the appliance to the water line:

- Minimum pressure: 14.5 psi (1.0 bar)
- Maximum pressure: 119 psi (8.2 bar)

If the water pressure exceeds 119 psi (8.2 bar), a pressure reducing valve must be installed. The ice maker will not work if the water pressure is below 14.5 psi (1.0 bar).

Install a separate shut-off valve for the water line.

Do not install the shut-off valve behind the appliance. The shut-off valve should be placed directly next to the appliance or in another easily accessible location.

The taste and smell of the water can be improved by installing the filter cartridge included with the appliance. In this case, observe the separate connection requirements related to the filter (see "Water filter").

The water hose has a 3/4 inch connection.

Electrical connection



WARNING

Risk of electric shock and fire if electrical connection is not installed properly!

Plug into a fixed, grounded 3-prong outlet only. The outlet must be installed and grounded according to code by a qualified electrician. If necessary, have the installation inspected by a qualified technician to ensure it is properly grounded.

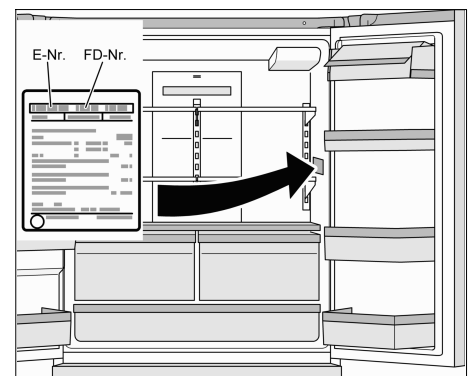
Do not use an extension cord or power strip.

Never connect the appliance to an electronic energy saver plug (such as Ecoboy, Sava Plug, etc.) or to power inverters which convert direct current (DC) to alternating current (AC) (such as for solar equipment, power supplies on ships, etc.).

The outlet for the appliance must be easy to access and must not be located behind the appliance.

Connect the appliance to a properly installed 115 V/60 Hz AC outlet. The fuse for the outlet must be rated between 15 A or 20 A.

If the appliance is to be used in a country other than the U.S., check the rating plate to determine if the specified voltage and current type correspond to the ratings of your power supply. If the voltage and current type do not match, the appliance must not be operated. The power cord may only be replaced by a qualified electrician.



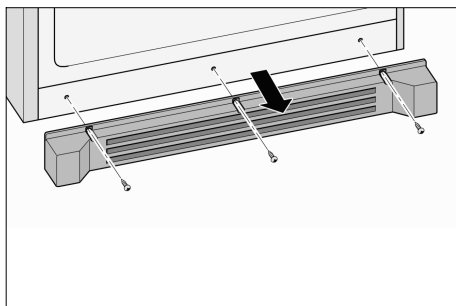
Aligning the appliance

NOTICE

To ensure that the appliance operates correctly, use a level to align the appliance.

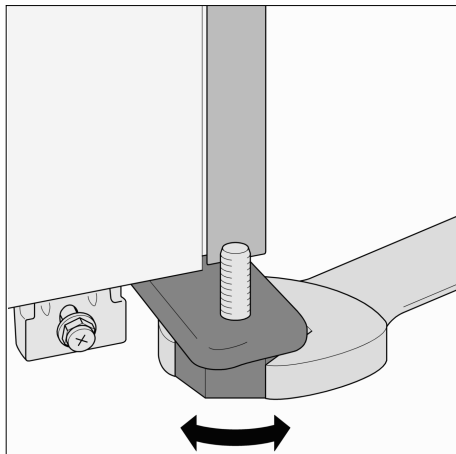
If the appliance is not level, water may flow out of the ice maker, ice cubes may be irregular, or the doors may not close properly.

1. Place the appliance in the designated location.

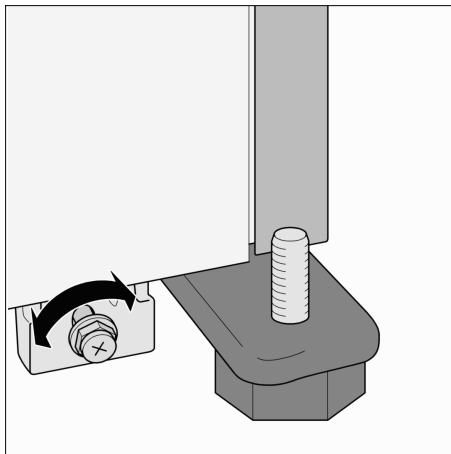


2. Remove the three screws from the base panel.

3. Remove the base panel.



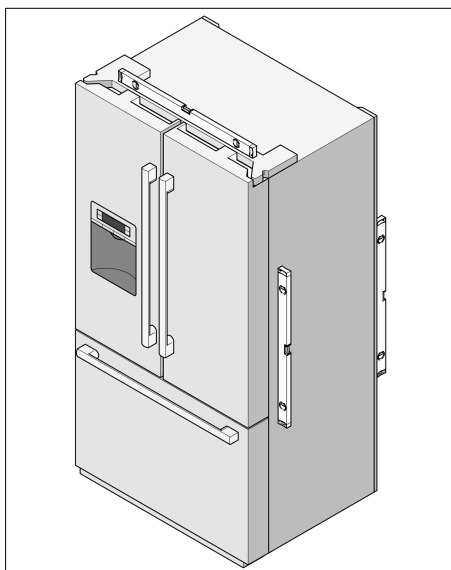
4. Use a hexagonal wrench to loosen the two front feet until they are firmly planted on the floor and then align the front of the appliance.



5. Use a hexagonal wrench to turn the screws and then align the rear of the appliance.

To raise the rear of the appliance:
Turn the screw clockwise.

To lower the rear of the appliance:
Turn the screw counterclockwise.



6. Use the level to check if the appliance is level.

NOTICE

To ensure that the appliance does not move, the front feet must be firmly planted on the floor.

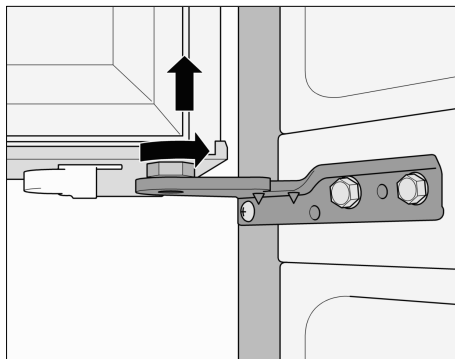
7. If the height of the refrigerator compartment doors are uneven or if the freezer compartment drawer is slanted after adjusting the level of the appliance, use the following method to adjust them.

Adjusting a refrigerator door

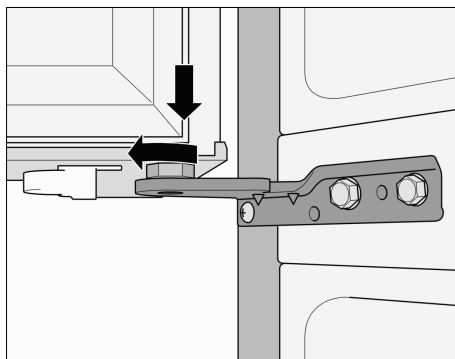
If the height of the refrigerator doors is uneven:

1. Determine which refrigerator door needs to be raised.
2. Turn the screw nut on the lower hinge to adjust the refrigerator door.

To raise a refrigerator door:
Turn the screw counterclockwise.



To lower a refrigerator door:
Turn the screw clockwise.



If the refrigerator doors are not properly aligned:



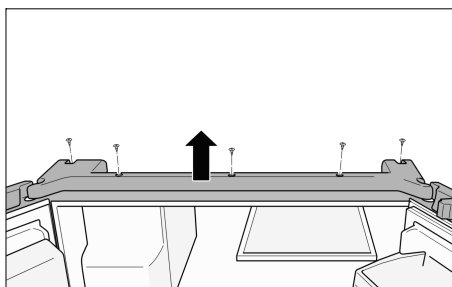
WARNING

Risk of electric shock!

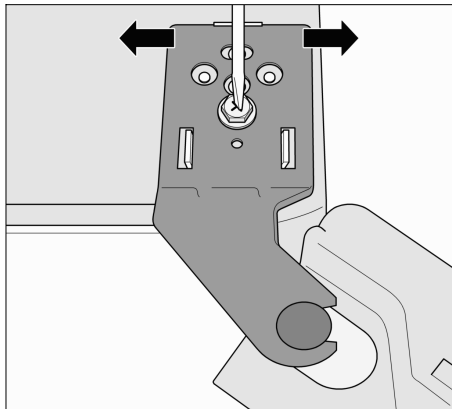
Before removing the top panel:

1. Shut off the water supply to the appliance.
2. Unplug the appliance or switch off the fuse.

1. Determine which refrigerator door needs adjustment.
2. Remove the five screws on the top panel.
3. Raise the panel.



4. Loosen the screw.
Do not remove the screw!



5. Move the hinge sideways to adjust the refrigerator door.
6. Tighten the screw.
7. Realign panel.
8. Insert and tighten the five screws.

Adjusting the freezer compartment drawer

1. Determine which side needs adjustment.
2. Loosen the two screws.
Do not remove the screws!



3. Use the top screw to adjust the freezer compartment drawer.
4. Tighten the two screws.

Installing the handles

Do not install the handles until the appliance is installed in its designated location and is level.

All of the handles are identical.

The appliance comes with two sheets of protective film that are used when installing and removing the handles. They can be used multiple times.

The sheets of protective film protect the surface of the appliance when installing and removing the handles.

NOTICE

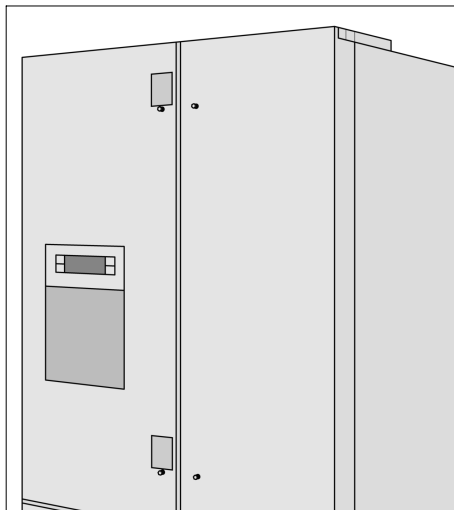
If the handles are installed incorrectly, they will not move in the right direction.

To install the handles correctly:

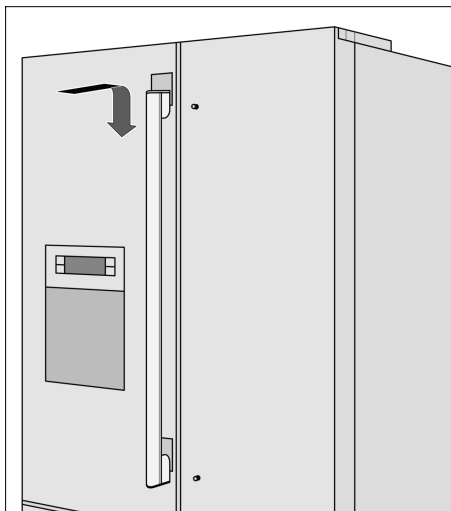
It must be possible to push down on the handles for the refrigerator compartment doors.

It must be possible to push the freezer compartment drawer handle to the right.

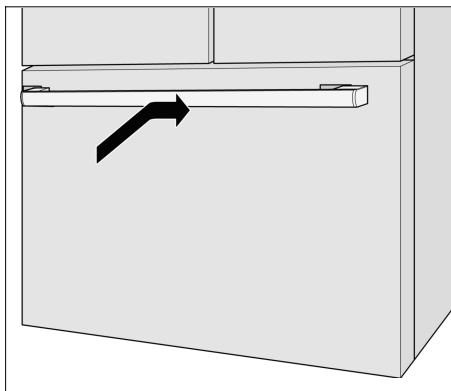
1. Place the protective film on the appliance.



2. Insert the refrigerator door handles into the guides.
3. Push down on the handles until they lock into place.



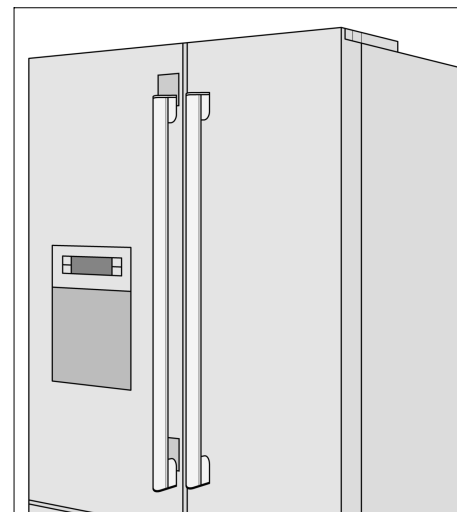
4. Insert the freezer compartment drawer handle into the guides.
5. Push the handle to the right until it locks into place.



6. Remove the protective film.

Removing the handles

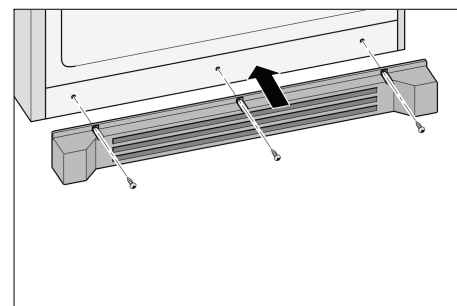
1. Placement of the protective film:
 - Above the guides on the refrigerator doors.
 - To the left of the guides on the freezer compartment drawer.



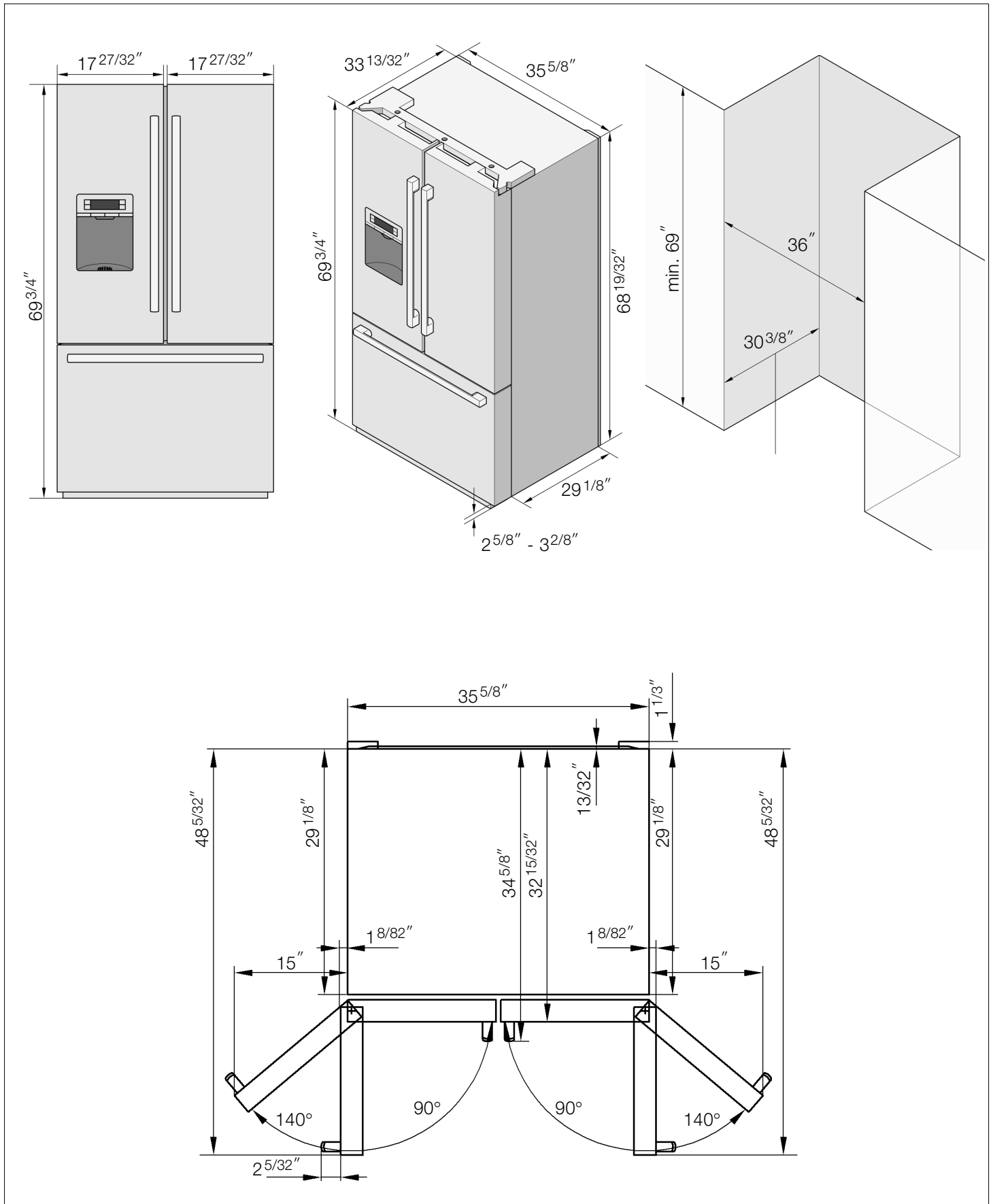
2. Push down on the refrigerator compartment door handles and remove.
3. Push the freezer compartment drawer handle to the left and remove.
4. Remove the protective film. Save the protective film for future use.

Installing the base plate

1. Remove the three screws on the appliance.
2. Mount the base plate.
3. Insert the three screws and tighten.

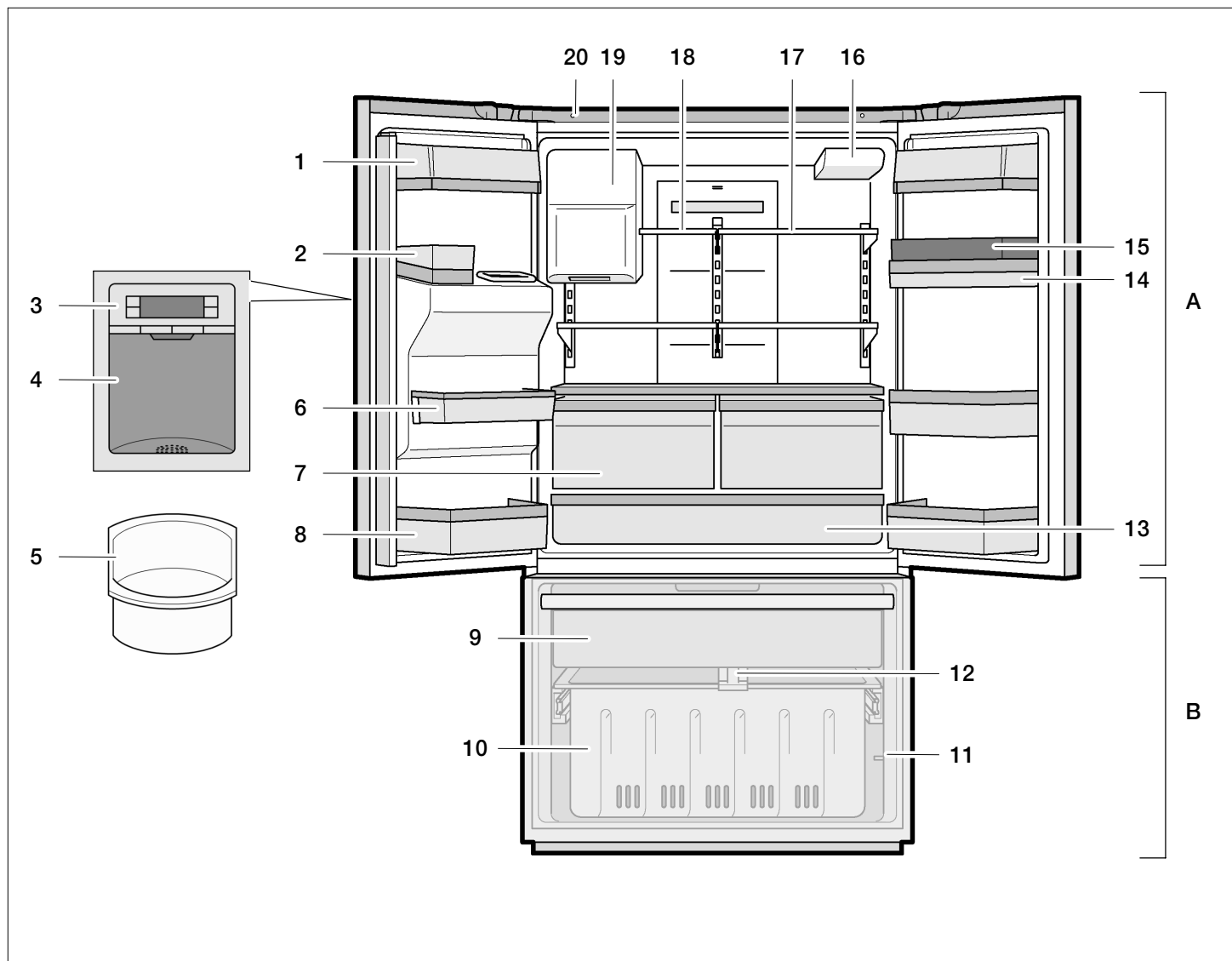


Appliance and installation dimensions



Getting to know your appliance

These operating and installation instructions apply to several models. The illustrations may differ from your particular model.



A Refrigerator compartment can be adjusted between 35 °F (+2 °C) and 46 °F (+8 °C)

B Freezer compartment can be adjusted between 5 °F (-15 °C) and -7 °F (-22 °C)

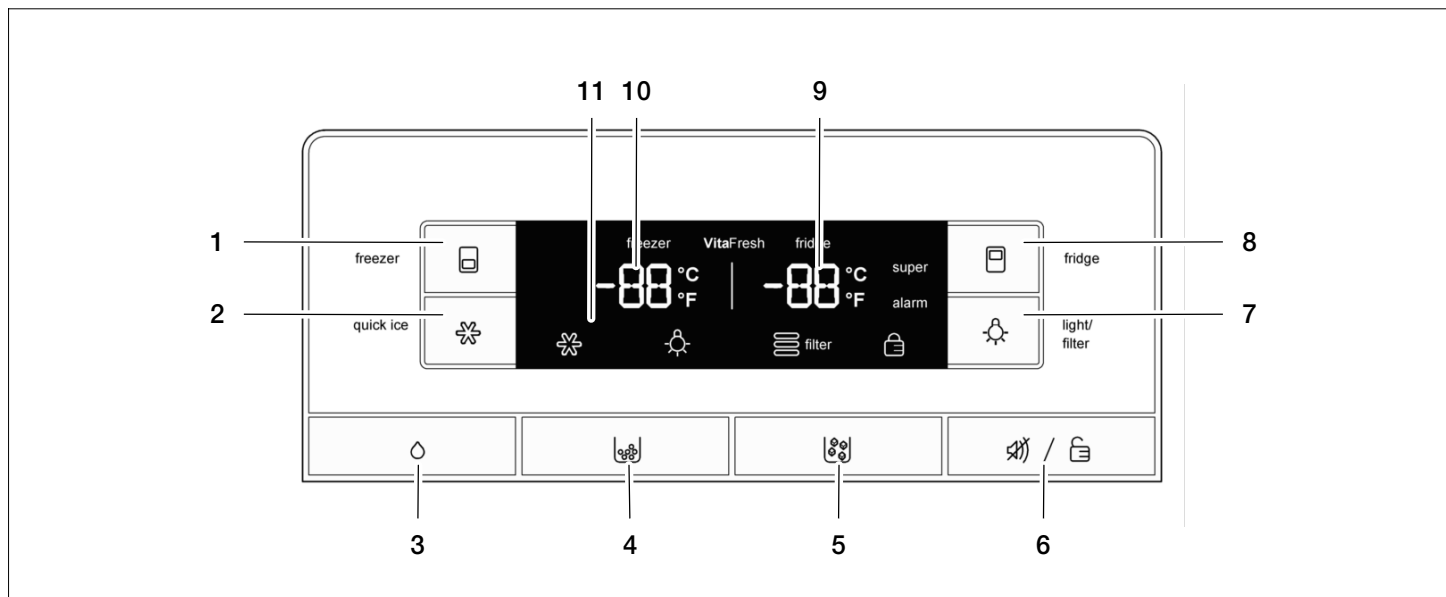
- | | |
|--|---|
| 1 Butter and cheese compartment | 11 Freezer compartment light switch |
| 2 Can bin | 12 Freezer compartment divider |
| 3 Control and display panel | 13 Deli drawer with LED light |
| 4 Ice and water dispenser | 14 Door storage compartment |
| 5 Ice storage bin | 15 Egg compartment |
| 6 Door storage compartment | 16 Water filter |
| 7 Vita Fresh compartment with LED light | 17 Adjustable glass shelf |
| 8 Removable door storage compartment | 18 Small glass shelf |
| 9 Top freezer drawer | 19 Ice maker/Ice cube container |
| 10 Bottom freezer drawer | 20 Refrigerator compartment light switch |

Control and display panel

The control and display panel on the left refrigerator door consists of a touch pad.

Touch the keypad to activate the corresponding function.

The light of the control and display panel goes out after approx. 1 min when no keypad was touched.



1 "freezer" button

Button for

- adjusting the freezer compartment temperature
- switching the "Super freeze" function on/off.

2 "quick ice" button

Quick ice cube production on/off switch.

3 Water dispenser button

4 Crushed ice dispenser button

5 Ice cube dispenser button

6 "alarm/lock" button

Button for

- switching the warning signal off
- switching panel lock on/off.

7 "light/filter" button

Button for

- switching the ice and water dispenser light on/off
- reset the filter indicator.

8 "fridge" button

Button for

- adjusting the temperature in the refrigerator compartment
- switching the "Super cool" function on/off.

9 Refrigerator compartment temperature display

Displays the temperature set for the refrigerator compartment.

10 Freezer compartment temperature display

Displays the temperature set for the freezer compartment.

11 Symbols on the display panel



"quick ice"

Appears when the "quick ice" function is on.



"Light"

Appears when the ice and water dispenser light is on.



"Water filter"

Displays the status of the filter cartridge.



"Panel lock"

Appears when the panel lock is on.

Operating tips

Opening and closing the refrigerator compartment doors

The refrigerator compartment doors can be opened and closed independently.

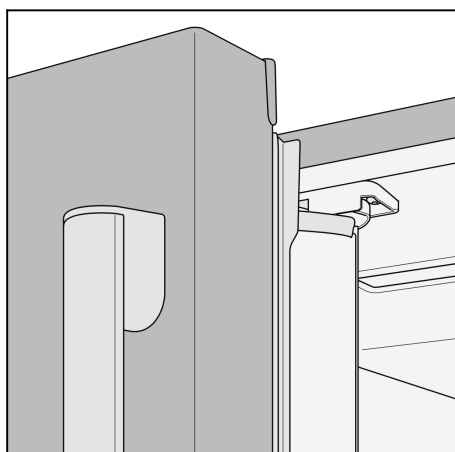
The left refrigerator compartment door has a foldaway door bar.

NOTICE

Risk of damage to the appliance!

The door bar could become damaged if you attempt to close the left refrigerator compartment door when the door bar is not folded back.

Before closing the refrigerator compartment doors, make sure that the door bar is folded at a right angle to the door.



When closing the left refrigerator compartment door, the door bar folds behind the right refrigerator compartment door, forming a seal between the refrigerator compartment doors.

Switching on the appliance

NOTICE

After installing the appliance, wait at least 8 hours before plugging in the appliance. The oil in the compressor may have flowed into the refrigeration system during transport.

Connect the appliance plug to the outlet.

After the appliance has been plugged in, the refrigeration process will begin. The interior light in the refrigerator compartment switches on when the door is open.

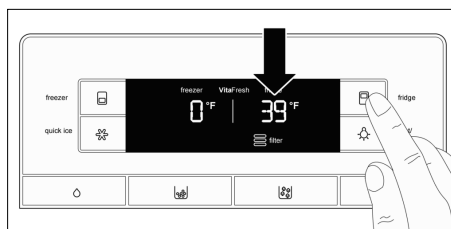
It will take several hours for the inside of the appliance to reach the temperatures set at the factory. Do not place food in the appliance until these temperatures are reached.

Setting the temperature

Refrigerator compartment

(can be adjusted between 35 °F (+2 °C) and 46 °F (+8 °C))

Press the "fridge" button until the desired refrigerator compartment temperature is set.



The most recent temperature value will be stored.

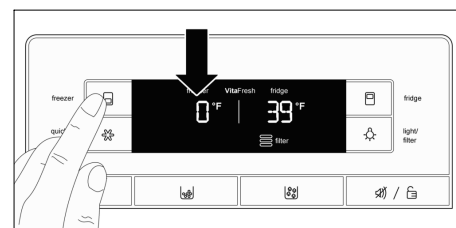
We recommend a setting of 39 °F (+4 °C).

Perishable foods should not be stored at temperatures higher than 39 °F (+4 °C).

Freezer compartment

(can be adjusted between 5 °F (-15 °C) and -7 °F (-22 °C))

Press the "freezer" button until the desired freezer compartment temperature is set.



The most recent temperature value will be stored.

We recommend a setting of 0 °F (-18 °C).

Alarm function

The door warning signal sounds if the temperature inside the appliance is too high or one of the appliance doors is open for more than one minute.

The warning signal will sound three times and will sound for one minute each time it is triggered. There will be a one-minute pause between signals.

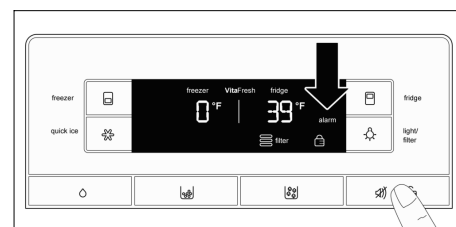
Refrigerator compartment

The word "alarm" will appear on the right on the display panel.

To switch off the warning signal:

Press "alarm/lock" or close the refrigerator compartment doors.

The word "alarm" will blink on the display panel until the temperature is close to the set temperature.



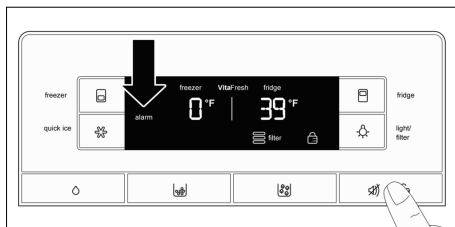
Freezer compartment

The word "alarm" will appear on the left on the display panel.

To switch off the warning signal:

Press "alarm/lock" or close the freezer compartment drawer.

The word "alarm" will blink on the display panel until the temperature is close to the set temperature.



Panel lock

When the panel lock is activated, all of the buttons on the control and display panel are locked.

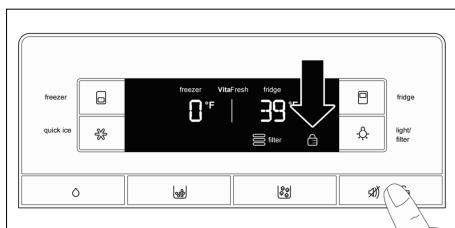
NOTICE

When the panel lock is activated, use the "alarm/lock" button to switch off the warning signal.

To switch the panel lock on or off:

Press "alarm/lock" for 2 seconds.

The "Panel lock" symbol appears when the panel lock is activated.



Super cooling

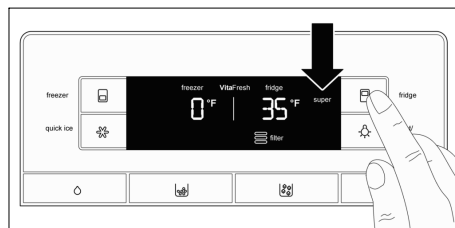
Super cooling cools the refrigerator compartment down as low as possible for approximately 6 hours. The temperature is then automatically reset to 39 °F (+4 °C).

Super cooling is particularly recommended for the following:

- Before placing large quantities of food in the refrigerator compartment.
- To cool drinks quickly.

To switch on super cooling:

Press "fridge" until "super" appears on the right on the display panel.



To switch off super cooling:

Press "fridge".

The word "super" disappears on the display panel. The temperature is automatically set to 39 °F (+4 °C).

Super freezing

Food should be frozen as quickly as possible in order to retain their vitamins, nutritional value, appearance and flavor.

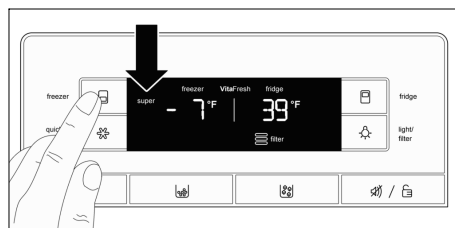
To prevent an undesirable rise in temperature when placing fresh food in the freezer compartment, switch on super freezing several hours beforehand.

As a rule, 4 to 6 hours is adequate. Allow for a minimum of 24 hours if planning to use the maximum freezing capacity.

Smaller quantities of food can be frozen without super freezing.

To switch on super freezing:

Press "freezer" until "super" appears on the left on the display panel.



To switch off super freezing:

Press "freezer".

The word "super" disappears on the display panel. The temperature is automatically set to 0 °F (-18 °C).

NOTICE

Super freezing switches off automatically after approximately 2 days.

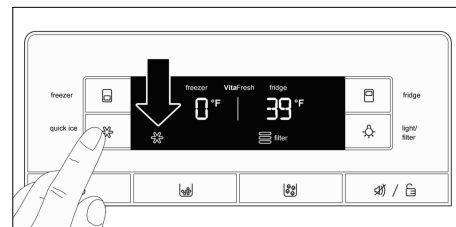
quick ice

Use this function to accelerate the production of ice cubes.

To switch on quick ice:

Press "quick ice".

The "quick ice" symbol appears on the display panel.







When the ice cube container is full, quick ice automatically shuts off after a few hours.

NOTICE

When quick ice is activated, the power of the appliance is increased temporarily. This increases its energy consumption.

Water filter symbol

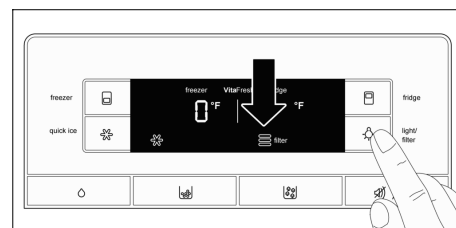
The symbol indicates the filter cartridge's period of use.

-  Up to two months.
-  Up to four months.
-  Up to six months.
-  After six months, the symbol flashes. Replace the filter cartridge.

When the appliance is turned off, the water filter symbol is reset.

To reset the water filter symbol after replacing the filter cartridge:

Press and hold the "light/filter" button for 3 seconds.



The symbol stops flashing.

Temperature unit

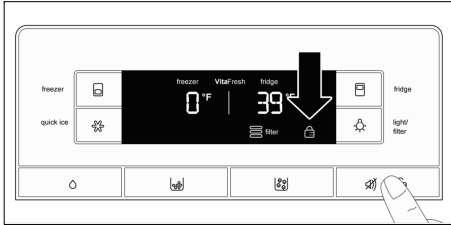
The temperature can be displayed in degrees Fahrenheit (°F) or Celsius (°C).

After the appliance is switched on, the temperature appears in degrees Fahrenheit (°F).

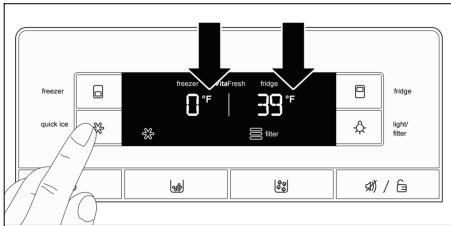
To set the temperature unit:

Press "alarm/lock" for 2 seconds.

The "Panel lock" symbol appears.



Press and hold "quick ice" for 15 seconds until the temperature unit switches.



Refrigerator compartment



WARNING

Risk of explosion!

Never store products containing flammable propellants (such as spray cans) or explosive or easily combustible substances in the appliance.

Bottles containing a high percentage of alcohol must be tightly sealed and stored in an upright position.

The refrigerator compartment temperature can be adjusted between 35 °F (+2 °C) and 46 °F (+8 °C).

We recommend a setting of 39 °F (+4 °C).

Perishable foods should not be stored at temperatures higher than 39 °F (+4 °C).

Using the refrigerator compartment

For storage of ready meals, cakes and pastries, canned food, condensed milk, cheese, spreads, sauces, dips and eggs.

Follow these guidelines when storing food:

- Allow warm food and drinks to cool down outside the appliance.
- Place food in airtight containers to prevent it from losing its flavor or drying out.
- To prevent poor air circulation in the appliance, do not block ventilation openings with food.
- Avoid contact of oil and grease with plastic parts and door seal.

Vita Fresh compartment

(not included on all models)

The temperature inside the Vita Fresh compartment is kept at almost 32 °F (0 °C). The low temperature provides optimum storage conditions for perishable food.

Food can be stored much longer in the Vita Fresh compartment than in the regular refrigerator compartment without losing its freshness.

The Vita Fresh compartment is covered by a special humidity filter. The special humidity filter optimizes the humidity in the Vita Fresh compartment. Depending on how full the Vita Fresh compartment is, the humidity can reach up to 90 percent which is ideal for all garden and field products such as vegetables, lettuces, herbs and fruit.

Vita Fresh is suitable for:

Basically any food that is fresh and is to be kept fresh longer, such as meat and meat products, fresh fish, seafood, milk, butter, soft cheese, cottage cheese, fruit and vegetables.

Vita Fresh is not suitable for:

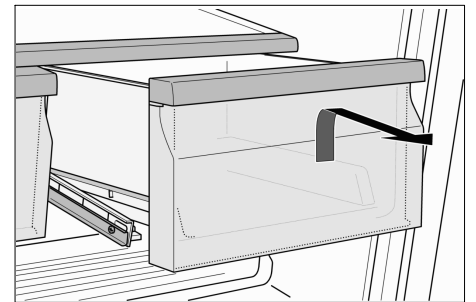
Fruit and vegetables sensitive to cold, such as tropical fruits, avocados, papayas, passion fruit, eggplant, cucumbers, bell peppers as well as fruit that has to ripen, green tomatoes and potatoes.

When buying food, please note:

The "freshness at purchase" is important for the storage life of your food. In general, the fresher the products are when placed in the Vita Fresh compartments, the longer they will stay fresh. Therefore, when purchasing food, always check how fresh it is.

Removing the Vita Fresh drawers

1. Pull out the Vita Fresh drawers as far as possible.
2. Lift up the front of the Vita Fresh drawers and pull them out.



3. Inserting the Vita Fresh drawers: Insert the Vita Fresh drawers into the rail and push toward the back.

Deli drawer

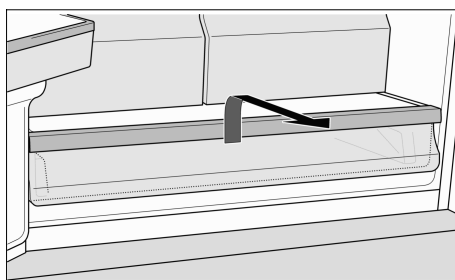
The temperature in the deli drawer is kept at a constant temperature just below freezing. This provides optimum storage conditions for meat and meat products, fish, seafood, dairy products as well as hard and soft cheese.

NOTICE

Never store foods that are sensitive to cold in the deli drawer.

Removing the deli drawer

1. Pull out the deli drawer as far as possible.
2. Lift up the front of the deli drawer and pull it out.

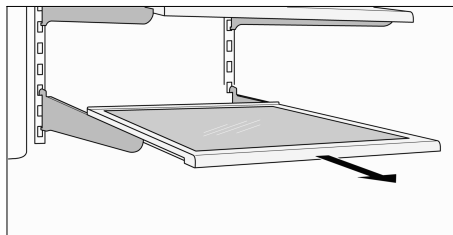


3. Inserting the drawer: Insert the deli drawer into the rail and push toward the back.

Variable interior design

Glass shelves

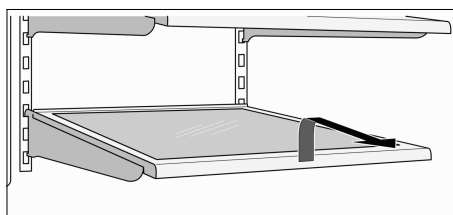
The adjustable glass shelves can be removed.



You can pull out the adjustable glass shelves and place them at varying heights.

Removing a glass shelf

Lift up and pull the shelf toward you. Unhook and then remove the shelf.

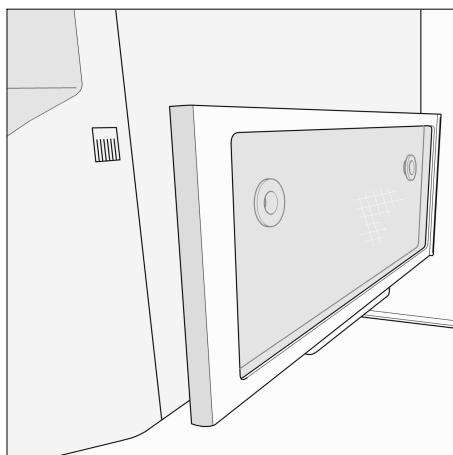


Installing the glass shelf

Lift up the front of the shelf and insert the hooks into the openings at the desired height. Lower the front of the shelf.

Small top glass shelf

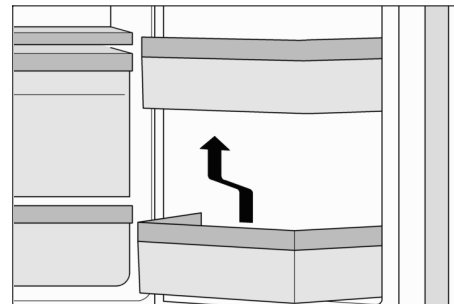
The glass shelf can be removed and placed in the holder underneath the ice maker. This provides room to place taller items such as tall bottles next to the ice maker.



Door storage compartments

To remove door storage compartments:

Lift door compartment and take it out.

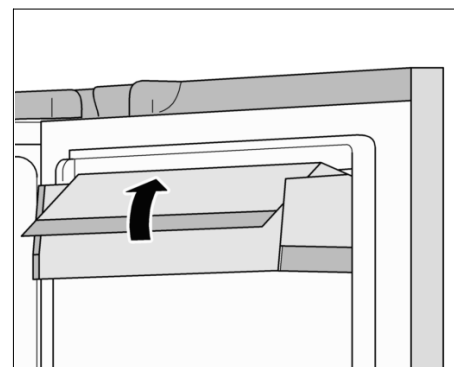


To install door storage compartments:

Place the compartment above the bracket at the desired height and press down.

Butter and cheese compartment

Raise the cover on the butter and cheese compartment.



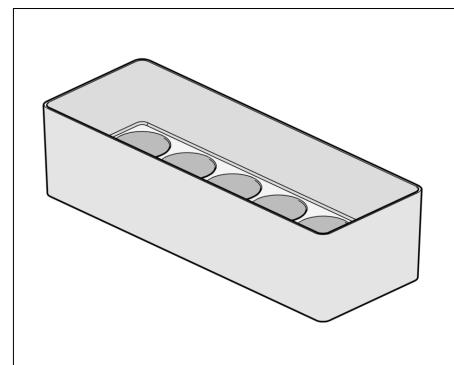
To remove the butter and cheese compartment:

Lift up the compartment and take it out.

To install the butter and cheese compartment:

Place the compartment above the bracket at the desired height and press down.

Egg compartment



Freezer compartment



WARNING

Risk of explosion!

Never store products containing flammable propellants (such as spray cans) or explosive or easily combustible substances in the appliance.

The freezer compartment temperature can be adjusted between 5 °F (-15 °C) and -7 °F (-22 °C).

We recommend a setting of 0 °F (-18 °C).

NOTICE

Make sure that the freezer compartment drawer is always kept closed. The frozen food will thaw if the freezer compartment drawer is open. The freezer compartment will become covered with thick ice. Also: Energy will be lost due to high power consumption.

When the freezer compartment door is closed, low pressure occurs inside the compartment.

If you cannot reopen the freezer compartment door right away, wait two to three minutes until the low pressure has adjusted itself.

Use the freezer compartment to

- store deep-frozen food
- freeze food
- make and store ice cubes.

Freezing food

Freeze fresh and undamaged food only. Separate food to be frozen from food that is already frozen. Place food in airtight containers to prevent it from losing its flavor or drying out.

How to wrap food correctly:

1. Place food in packaging.
2. Press out any air.
3. Seal the packaging.
4. Label the package with the contents and date.

Items not suitable for wrapping food:

Wrapping paper, greaseproof paper, cellophane, garbage bags and used shopping bags.

Items suitable for wrapping food:

Plastic film, polyethylene blown film, aluminum foil and freezer cans. These products can be purchased from your retailer.

Items suitable for sealing wrapped food:

Rubber bands, plastic clips, string, cold-resistant adhesive tape or similar items. Bags and polyethylene blown film can be sealed with a film sealer.

Storage life of frozen food

The storage life depends on the type of food. At a temperature setting of 0 °F (-18 °C):

- Fish, sausage, ready meals and cakes and pastries:
up to **6 months**
- Cheese, poultry and meat:
up to **8 months**
- Fruit and vegetables:
up to **12 months**.

Purchasing and storing deep-frozen food

Follow these guidelines when purchasing deep-frozen food:

- Make sure the packaging is not damaged.
- Check the "sell by" date.
- The temperature of the supermarket freezer should be lower than 0 °F (-18 °C). If not, this shortens the storage life of the frozen food.
- Pick up deep-frozen food last when shopping. Wrap in newspaper or place in a cold bag and take home.
- At home, immediately place deep-frozen food in the freezer compartment. Use the deep-frozen food before the "sell by" date.

Thawing frozen food



CAUTION

Risk of poisoning!

Do not refreeze food that is beginning to thaw or has already thawed. The food cannot be refrozen until it has been prepared (boiled or fried). Do not store these refrozen products for the maximum storage period.

Depending on the type of food and its intended use, frozen food can be thawed as follows:

- at room temperature
- in the refrigerator
- in an electric oven with/without fan-assisted hot air
- in the microwave.

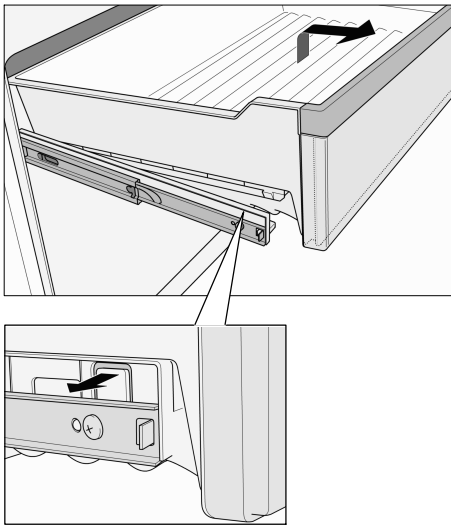
Freezer compartment features

Top freezer drawer

The freezer drawer can be removed.

To remove the top freezer drawer:

1. Pull out the top freezer drawer as far as possible.
2. Carefully pull out the clips on both sides and lift up the front of the freezer drawer.
3. Pull out the freezer drawer.

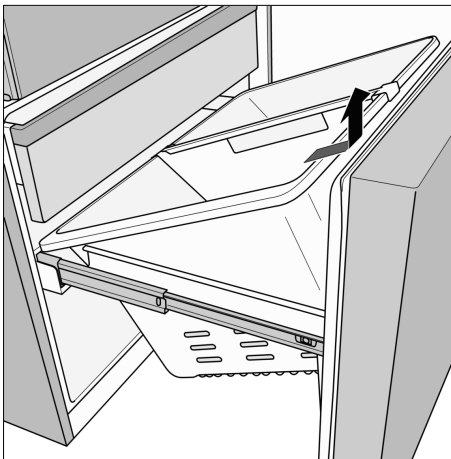


Bottom freezer drawer

The freezer drawer can be removed.

To remove the bottom freezer drawer:

Lift the freezer drawer up and out.



Ice and water dispenser

The following may be dispensed as necessary:

- cooled water,
- crushed ice,
- ice cubes.



WARNING

Risk of injury from broken glass!

Never use fragile receptacles for dispensing water or ice.



WARNING

Risk of injury from rotating crusher blades!

Never reach into the ice cube dispenser opening.

NOTICE

Risk of damage to the appliance!

Do not place bottles or food in the ice cube container in order to cool them quickly. The ice maker may become blocked and damaged.

When switching on the appliance, note the following

The ice and water dispenser only works when the appliance is connected to the water supply.

After the appliance has been switched on, it will take 24 hours before the first batch of ice cubes are ready.

When the appliance is connected, air bubbles will still be in the lines. Extract the drinking water and discard until water can be dispensed without bubbles. Discard the first five glasses of water.

When using the ice maker for the first time, do not use the first 30 to 40 ice cubes for reasons of hygiene.

Operating the ice maker

Once the freezer compartment has reached its freezing temperature, water flows into the ice maker and freezes into ice cubes. The ice cubes are automatically discharged into the ice cube container when they are ready.

The sides of the ice cubes may occasionally stick together. They usually break away from each other as they move to the dispenser opening.

Ice making switches off automatically when the ice cube container is full.

The ice maker can make approximately 100 ice cubes within 24 hours when ice cubes are discharged several times during the day.

As the ice cubes are being made, the sound of the buzzing water valve, the water flowing into the ice storage bin and the falling ice cubes can be heard.

Drinking water quality



CAUTION

The water filter included with the appliance only filters out particles from the supplied water and does not filter out bacteria or microbes.

All materials used in the water dispenser are odorless and tasteless.

If the water has an aftertaste, this may be caused by:

- Mineral and chlorine content in the drinking water
- Materials from which the domestic water line or connection line are made
- Freshness of the drinking water. If water has not been dispensed for an extended period of time, the water may have a "stale" taste. In this case, dispense approx. 15 glasses of water and discard.

The taste and smell of the water can be improved by installing the included filter cartridge at the water intake point.

Dispensing water

1. Hold an appropriate receptacle under the ice and water dispenser.
2. Keep the water dispenser button pressed until the desired amount of water is in the receptacle.



Tip:

The water from the water dispenser is cooled to a palatable temperature. If you would like colder water, place ice cubes in the glass before dispensing the water.

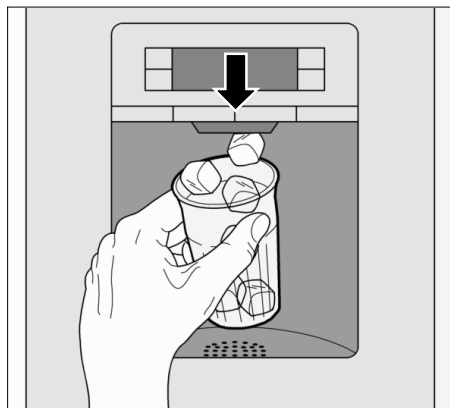
Dispensing ice

NOTICE

Keep the ice cube or crushed ice button pressed and then stop once the desired amount of ice is in the receptacle. Ice in the ice cube dispenser opening may otherwise overflow the receptacle or block the ice cube dispenser opening.

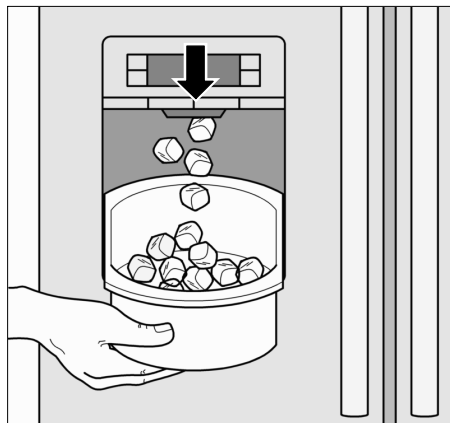
If crushed ice was dispensed before ice cubes are dispensed, some crushed ice may still be in the ice cube dispenser opening. The crushed ice will be dispensed with the first batch of ice cubes.

1. Hold an appropriate receptacle under the ice and water dispenser.
2. Keep the ice cube or crushed ice button pressed until the desired amount is in the receptacle.



Ice storage bin

The ice storage bin stores a reserve supply of ice cubes the freezer compartment. The ice storage bin fits perfectly into the ice and water dispenser due to its shape.



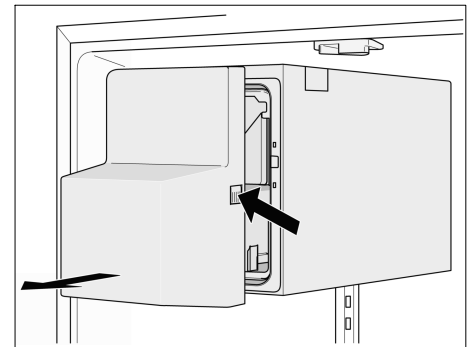
Disconnecting the ice maker

NOTICE

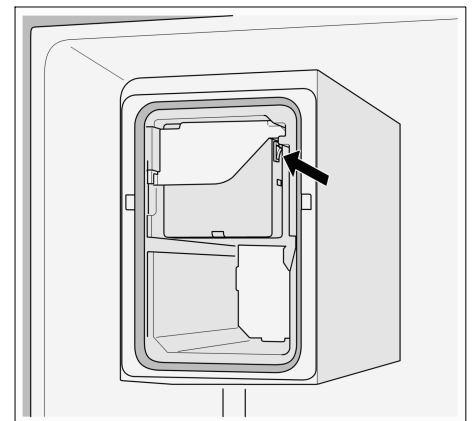
Make sure to shut off the water supply to the appliance a few hours before disconnecting the ice maker.

If ice cubes will not be dispensed for more than 1 week (such as due to vacation), temporarily disconnect the ice cube maker to prevent the ice cubes from freezing together.

1. Press the release button and remove the ice cube container.



2. Switch the on/off switch behind the ice cube container off (0) - the ice maker is deactivated.



3. Empty and clean out the ice cube container.
4. Push the ice cube container all the way back onto the supports until it locks into position.

Reactivating the ice maker:

- Switch the on/off switch behind the ice cube container on (1) - the ice maker is activated.

Water filter

CAUTION

Do not use the appliance in places where the water quality is unsafe or unknown without taking suitable disinfection precautions before and after filtering.

A filter cartridge for filtering particles can be obtained from customer service.

The water filter should be replaced after 6 months at the latest.

After 6 months, the flashing water filter symbol prompts you to replace the filter cartridge (see "Water filter symbol").

Other connection requirements

Do not install the filter cartridge if the water pressure exceeds 120 psi (8.2 bar).

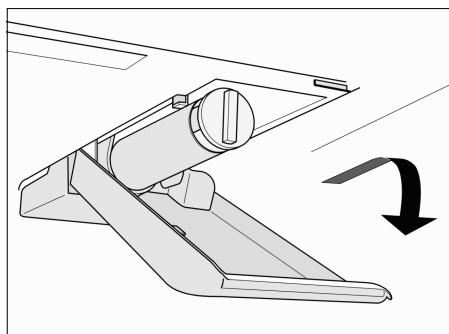
If the water pressure exceeds 80 psi (5.5 bar), a pressure reducing valve must be installed.

Important note

- Rinse the water system thoroughly if the appliance has not been used for a long period of time, or the water has an unpleasant taste or smell. To do this, extract water from the water dispenser for several minutes. Replace the filter cartridge if the unpleasant taste or smell persists.
- The ice maker and water dispenser can be used without the filter cartridge. In this case, replace the water filter with the bypass cap.

Installing and replacing the filter cartridge

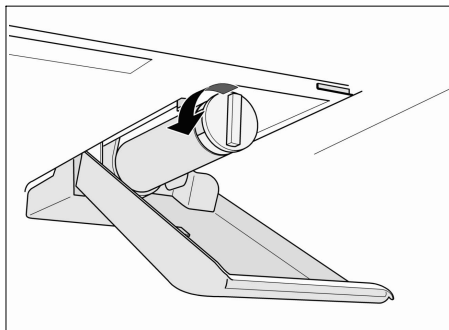
1. Pull out and then lower the cover.



NOTICE

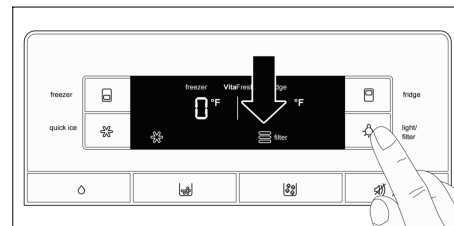
Remove the filter cartridge carefully!
The water system is under low pressure after use.

2. Gently rotate the filter cartridge or bypass cap counterclockwise by 90° and remove.



3. Take the new filter cartridge out of the packaging.
4. Insert the new filter cartridge and gently rotate it clockwise by 90° until it clicks into place.
5. Raise the cover up and lock it in place.
6. Turn on the water supply to the appliance.
7. Draw about a gallon of water from the water dispenser. This will remove air from the water system.

8. Pour out the water in the used filter cartridge. The filter cartridge can be disposed of in the household garbage.
9. Press and hold the "light/filter" button for 3 seconds. The water filter symbol is reset. The symbol stops flashing. The new filter cartridge is activated.



Specification and performance data sheet

For filter model: 9000 077 095 and 9000 077 096

Using replacement cartridge 9000 077 104

The model has been tested by NSF International in accordance with ANSI/NSF Standards 42 & 53 and certified for the reduction of the substances listed below.

The concentration of the indicated substances dissolved in the water entering the system was reduced to a concentration less than or equal to the permissible limit for water discharged from the appliance as specified in NSF/ANSI 42 and 53.

Note:

Even though the tests were conducted under standard laboratory conditions, actual performance may vary.



The system was tested and certified on model 9000 077 095 and 9000 077 096 by NSF International in accordance with ANSI/NSF Standard 53 for the reduction of cysts and turbidity, as well as in accordance with ANSI/NSF Standard 42 for the reduction of the taste and odor of chlorine.

Rated particulate class: I

Rated service life: 739.68 Gallons (2,800 Liters)

Substance	Average influent	NSF specified challenge concentration	Average reduction in %	Average product water concentration	Max permissible product water concentration	NSF reduction requirements	NSF test report
Cysts *	122,500 cysts/l	Minimum 50,000 cysts/l	99.99	< 1 cyst/l	N/A	≥ 99.95 %	J-00056513
Turbidity	10.8 NTU	11 ± 1 NTU	98.8	< 0.16 NTU	0.5 NTU	95.5 %	J-00058972
Nominal Particulate Class I ≥ 0.5 to < 1 µm	13,666,666 pts/ml	At least 10,000 particles/ml	99.00	143,333 pts/ml	N/A	≥ 85 %	J-00056506
Chlorine taste and odor	2.0 mg/l	2.0 mg/l ± 10 %	97.5	< 0.05 mg/l	N/A	≥ 50 %	J-00056501

* Based on the use of *Cryptosporidium parvum* oocysts.

Application guidelines/Water supply parameters:

Water pressure	30 - 120 psi (207 – 827 kPa)
Water temperature	33 °F - 100 °F (0.6 °C – 38 °C)
Service flow	0.75 gpm (2.83 lpm)

- The system is to be installed and operated according to the guidelines recommended by the manufacturer.
- Change the filter every 6 months.
- Rinse new filter thoroughly for 5 minutes.
- More detailed information can be found on the warranty card.

DO NOT use this product with water that is microbiologically unsafe or of unknown quality without adequate disinfection before or after connection to the system. Systems certified for cyst reduction may be used in disinfected water that may contain filterable cysts.

The entire system (except the disposable cartridge) is covered by a one-year warranty. The disposable cartridge is covered by warranty for material and processing defects only. The service life of the disposable filter is not under warranty, since the service life depends on local water conditions.

More detailed information on spare part prices is available from your local appliance dealer or parts supplier.

Manufactured by:

Cuno Engineered Products
1000 Apollo Road
Eagan, MN 55121-2240 U.S.A

Energy-saving tips

- Install the appliance in a dry, well ventilated room, but not in direct sunlight and not near a heat source (radiator, stove, etc.). Use an insulating plate, if required.
- Allow warm food and drinks to cool down before placing in the appliance.
- When thawing frozen food, place it in the refrigerator compartment. The low temperature of the frozen products cools the food in the refrigerator.
- Open and close the appliance doors as quickly as possible.

Operating noises

Normal noises

Humming - refrigerating unit is running. The fan in the circulating air system is running.

Bubbling, whirring or gurgling noises - refrigerant is flowing through the tubing or water is flowing into the ice maker.

Clicking - motor is switching on or off. The solenoid valve at the water connection is opening or closing.

Rumbling - ready ice cubes from the ice maker are falling into the ice cube container.

Solving simple noise problems

The appliance is not level

Align the appliance using a level. Use the height-adjustable feet or place something under the feet.

The appliance is touching adjacent units or appliances

Move the appliance away from adjacent units or appliances.

Loose or sticking drawers, baskets or storage areas

Check the removable parts and, if required, reinsert them.

Receptacles are touching each other

Move bottles or receptacles slightly away from each other.

Defrosting

Freezer compartment

The fully automatic NoFrost system ensures that the freezer compartment remains free of ice. Defrosting is no longer required.

Refrigerator compartment

Defrosting takes place automatically.

The condensation runs through the drainage hole into an evaporation pan at the rear of the appliance.

Switching off and disconnecting the appliance

Switching off the appliance

Unplug the appliance or switch off the fuse.

Disconnecting the appliance

If the appliance is not used for an extended period of time:

1. It is imperative that you disconnect the water supply to the appliance for a few hours before switching off the appliance.
2. Remove all food from the appliance.
3. Unplug the appliance.
4. Remove and dispose of the filter cartridge.
5. Empty and clean the ice cube container.
6. Clean the appliance interior (see "Cleaning the appliance").

To prevent odors, leave the appliance doors open.

Cleaning



WARNING

Risk of electric shock!

Unplug the appliance or switch off the fuse before cleaning the appliance.



CAUTION

To avoid personal injury or damage to property, observe the following:

Never use a steam cleaner to clean the appliance.

Do not use abrasive or acidic cleaning agents or solvents.

Wipe lights and the control and display panel with a damp cloth only. Do not let water used for cleaning drip into the lights or onto the control and display panel.

Do not let cleaning water run into the drainage hole in the evaporation area.

Never clean shelves and containers in a dishwasher. The parts may warp.

Cleaning the appliance

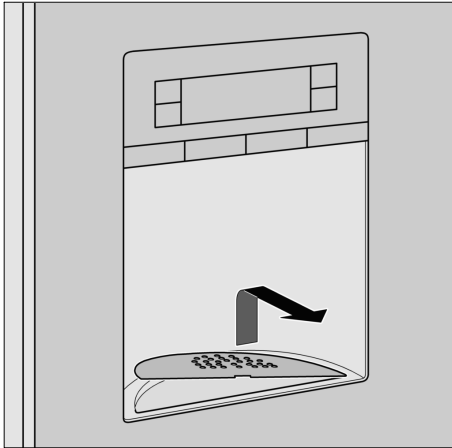
The Vita Fresh compartments and deli drawer can be removed for cleaning.

1. Unplug the appliance or switch off the fuse.
2. Remove all food from the appliance and store in a cool location.
3. Clean the appliance with a soft cloth, using lukewarm water and a small amount of pH-balanced dishwashing liquid.
4. Rub dry when done.
5. Wipe the door seal with clear water only and then thoroughly wipe dry.
6. After cleaning, reconnect to switch on the appliance.

Cleaning the water collecting tray

Spilled water collects in the water collecting tray.

Remove the strainer to empty and clean. Wipe out the water collecting tray with a sponge or absorbent cloth.



Cleaning the ice cube container

Ice cubes will shrink, have a stale taste and stick together if they have not been dispensed for an extended period of time.

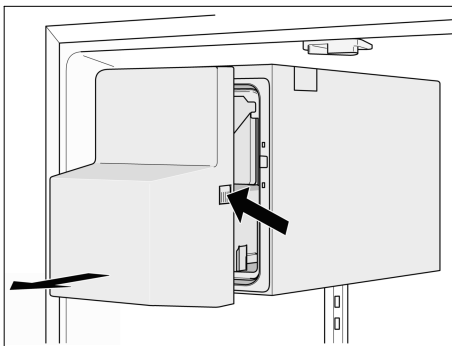


CAUTION

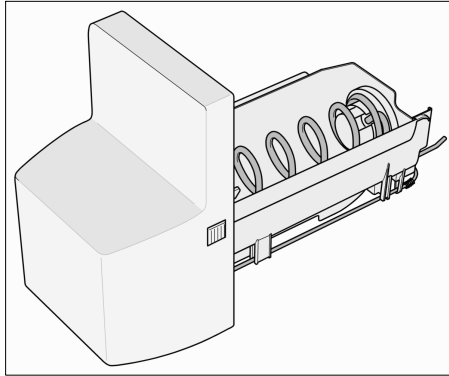
Risk of injury!

A fully filled ice cube container is very heavy. Use caution when removing the ice cube container.

1. Press the release button and remove the ice cube container.



2. Empty the ice cube container and clean with lukewarm water.



3. Thoroughly dry the container and screw conveyor to prevent new ice cubes from sticking.

Inserting the ice cube container

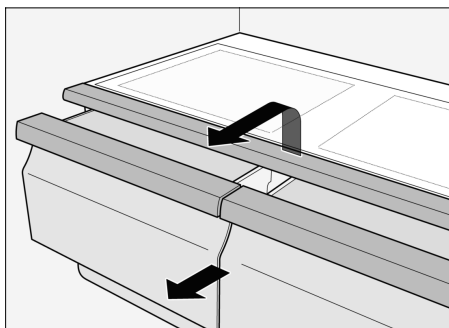
4. Push the ice cube container all the way back onto the supports until it locks into position.

NOTICE

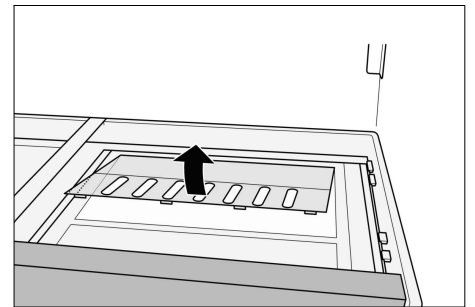
If the container cannot be pushed all the way back, twist the screw conveyor slightly or remove any ice cubes that may have stuck to the insertion area.

Removing special humidity filter

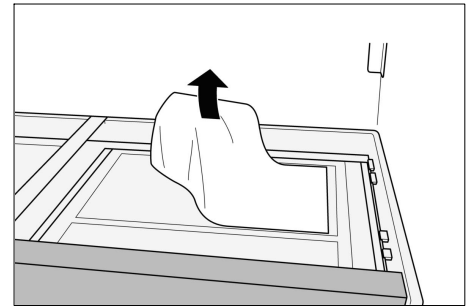
1. Pull out Vita Fresh drawers by approx. 4 inches (approx. 10 cm).
2. Flip up the glass plate above the Vita Fresh drawers and take them out.



3. Reach between the openings of the cover, carefully unhook the front 4 notches and pull out the cover.



4. Remove the special humidity filter.



5. Clean the special humidity filter with lukewarm water and let it dry.
6. Insert the special humidity filter.
7. Reattach the rear of the cover, move it down and make sure the front part engages.
8. Insert the glass plate and close the Vita Fresh drawers.

LED light

The appliance features a maintenance-free LED light.



CAUTION

Risk of eye injury from Class 1M laser light (IEC 60825)!

Do not look directly into the light with optical instruments.

These lights must be repaired by customer service or authorized technicians only.

Troubleshooting minor issues

Before contacting customer service:

- Please check whether you can troubleshoot the problem yourself based on the following information.

Customer service will charge you for advice, even if the appliance is still under warranty.

Refrigerator compartment and freezer compartment

Problem	Possible cause	Corrective action
No display on the display panel, interior light is not working, and the appliance is not working.	The power cord is not plugged in.	Plug in the power cord.
	The fuse has blown or circuit breaker has been tripped.	Replace fuse or reset the circuit breaker. Check if electricity is present at outlet.
	Power outage.	Wait until power has been restored. If necessary, contact an electrician or the utility company.
The interior light is not working.	The light switch to the freezer or refrigerator compartment is sticking.	Check whether the light switch can be moved.
	The LED bulb is defective.	See "LED light".
Food is too cold.	Temperature has been set too low.	Adjust to a higher temperature.
Food is too warm.	Door will not close properly.	Align the appliance with a level. See "Aligning the appliance". Check the position of the drawers and correct, if necessary. Check the door seals and foldaway door bar; if necessary, clean or correct position.
	Temperature has been set too high.	Select a lower temperature.
	Ventilation opening is blocked.	Remove any food blocking the ventilation opening.
	Doors were opened frequently or were open for an extended period of time.	Wait until the temperature in the appliance drops.
	A large amount of fresh food has been placed in refrigerator.	Fresh food must first reach the correct storage temperature.
	Appliance has an unpleasant odor.	Food with a strong odor was placed in the refrigerator.
The interior compartment is dirty.		Clean the interior compartment.
Water droplets are forming on the exterior of the appliance.	Door will not close properly.	Align the appliance with a level. See "Aligning the appliance". Check the position of the drawers and correct, if necessary. Check the door seals and foldaway door bar; if necessary, clean or correct position.
	Humidity is too high.	This may be normal in certain regions.

Problem	Possible cause	Corrective action
Water droplets are forming inside the appliance.	Humidity is too high or doors have been opened frequently.	Do not open doors as frequently or do not keep them open too long.
	The door seals are not tight.	Check the door seals and foldaway door bar; if necessary, clean or correct position.
Drawers can only be closed with great difficulty.	The drawer has not been inserted correctly.	Insert the drawer correctly.
	The drawer rails are dirty.	Clean the drawer rails.

Ice and water dispenser

Problem	Possible cause	Corrective action
The water filter symbol is flashing.	The filter cartridge is old.	Replace the filter cartridge.
	After replacing the filter cartridge, the water filter symbol was not reset.	Reset the water filter symbol.
The ice maker is not making enough ice cubes or the ice cubes are deformed.	The appliance or ice maker was just recently switched on.	It takes approx. 24 hours before it starts making ice.
	A large amount of ice has been taken out.	It takes approx. 24 hours before the ice storage bin is full again.
	Water pressure is too low.	Have the water pressure checked.
	The filter cartridge is clogged or old.	Replace the filter cartridge.
The ice maker is not making enough ice cubes or any ice cubes at all.	An ice cube is jammed on the arm that measures the level of the ice cube container.	Remove the ice cube container and release the jammed ice cubes with a blunt plastic tool. Do not use sharp or pointy objects as this could damage the appliance.
	When switching from ice cubes to crushed ice, an ice cube may become jammed inside the dispenser opening. The ice cube will begin to melt and water will drip into the ice and water dispenser.	Release the jammed ice cube from the dispenser opening using a blunt plastic tool. Do not use sharp or pointy objects as this could damage the appliance.
	There is a layer of ice on the screw conveyor.	Remove and clean the ice cube container.
The ice cube container contains ice cubes that are not being dispensed.	Ice cubes are frozen to one another.	Remove and clean the ice cube container.
The ice maker is not making ice cubes.	The ice maker is switched off.	Switch on the ice maker.
	The appliance is not being supplied with water.	Have a qualified technician check the water connection.
	The water connection line has kinks in it.	Shut off the water supply. Straighten out the kinks. Have damaged water connection lines replaced with original manufacturer parts.
	Water pressure is too low.	Have the water pressure checked.
	The ice cube container is not inserted correctly.	Insert the ice cube container correctly.
	The water connection is installed incorrectly.	If the water connection is not installed correctly, this can cause low water pressure and can damage the appliance.

Problem	Possible cause	Corrective action
Very little or no water is dispensed from the water dispenser.	The filter cartridge is clogged or old.	Replace the filter cartridge.
	Water pressure is too low.	Have the water pressure checked.
	The shut-off valve is not open all the way.	Adjust the shut-off valve so it is open all the way.
	The water connection line has kinks in it.	Shut off the water supply. Straighten out the kinks. Have damaged water connection lines replaced with original manufacturer parts.
The dispensed water is not cold.	The appliance was just recently installed.	It takes approx. 12 hours for the water to cool down.
	The water has been in the lines for an extended period of time and has adjusted to the room temperature.	Fill and discard the first 15 glasses of water.
The water is cloudy.	Air or air bubbles in water.	This is normal when using the water dispenser for the first time and will disappear after a short period of time.
There are particles floating in the water or suspended in the ice cubes.	The first time the water flows through the filter cartridge, it may contain carbon dust from the filter cartridge.	These suspended particles are not harmful! They will disappear after a short period of time.
	Suspended particles are formed by mineral deposits when water is frozen and then allowed to thaw.	These suspended particles are not harmful! This occurs naturally in the water supply.

Customer service

Before contacting customer service:

Determine if you can solve the problem yourself using the information under "Troubleshooting minor issues."

If this information does not solve the problem, additional help is available by contacting Bosch customer service.

U.S.A.:

Contact the Bosch Customer Interaction Center by calling 1-800-944-2904 (toll-free).

Canada:

Contact your designated Bosch Canada service company or call 1-800-944-2904.

To better assist you, write down the information about your appliance below for future reference:

Dealer name

Address

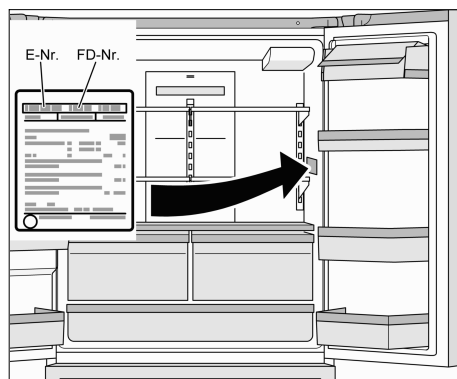
Phone number

Purchase date

Model number (E number)

Serial number (FD number)

Please provide customer service with the appliance model number (E number) and serial number (FD number).



You can find this information on the rating plate inside the refrigerator compartment on the right.

fr Table des matières

INSTRUCTIONS DE SÉCURITÉ IMPORTANTES	30
Félicitations	31
Informations relatives au recyclage et à la mise au rebut	31
Installation	32
Installation et raccordement de l'appareil	33
Dimensions de l'appareil et cotes d'encombrement	37
Présentation de l'appareil	38
Panneau de commande et d'affichage	39
Conseils d'utilisation	40
Enclenchement de l'appareil	40
Réglage de la température	40
Function d'alarme	40
Blocage du panneau	41
Superréfrigération	41
Supercongélation	41
Production rapide de glaçons	41
Symbole du filtre à eau	41
Unité de température	42
Compartiment réfrigérateur	42
Compartiment Vita Fresh	42
Tiroir pour aliments fins	43
Agencement variable du compartiment intérieur	43
Compartiment congélateur	44
Congélation d'aliments	44
Achat et stockage de produits surgelés	44
Décongélation des produit	44
Équipement du compartiment congélateur	45
Distributeur de glaçons et d'eau	45
Filtre à eau	47
Fiche de spécifications et de performances	48
Conseils pour économiser l'énergie	49
Bruits de fonctionnement	49
Dégivrage	49
Arrêt et débranchement de l'appareil	49
Nettoyage	49
Éclairage (DEL)	50
Diagnostic et résolution de problèmes mineurs	51
Service après-vente	54

INSTRUCTIONS DE SÉCURITÉ IMPORTANTES

VEUILLEZ LIRE ET CONSERVER CES INSTRUCTIONS !

Avant l'utilisation de l'appareil

Veillez lire attentivement et entièrement les informations figurant dans les notices d'utilisation et de montage !

Elles contiennent des remarques importantes concernant l'installation, l'utilisation et l'entretien de l'appareil. Conservez toute la documentation pour pouvoir la consulter à nouveau ultérieurement ou si l'appareil doit changer un jour de propriétaire.

Sécurité technique

Seuls les techniciens du service après-vente peuvent remplacer le cordon d'alimentation et effectuer toute autre réparation. Les installations ou réparations incorrectes pourraient présenter des risques considérables pour les utilisateurs.

Consignes importantes concernant l'utilisation de l'appareil

- N'utilisez jamais des équipements électriques (tels que des réchauffeurs ou distributeurs électriques de glaçons) dans l'appareil. **Risque d'explosion !**
- N'utilisez jamais de nettoyeur à vapeur pour dégivrer ou nettoyer l'appareil. La vapeur pourrait pénétrer dans des composants électriques, entraînant un court-circuit ou un choc électrique.
- Débranchez ou coupez le fusible / disjoncteur avant de nettoyer l'appareil.
Ne tirez pas sur le cordon d'alimentation pour débrancher l'appareil.
- Ne stockez aucun produit contenant des agents propulsifs (p.ex. des bombes aérosols), ni aucune substance explosive dans l'appareil. **Risque d'explosion !**
- Conservez les bouteilles d'alcools concentrés uniquement fermées et placées debout.

- Ne stockez pas les liquides en bouteille ou en canette (surtout les boissons gazeuses) dans le compartiment congélateur. Les bouteilles et canettes risquent d'exploser !
- Ne montez pas sur le socle, les tiroirs, les portes ou sur toute autre partie de l'appareil. Vous pourriez endommager l'appareil.
- Ni huile, ni graisse ne doit entrer en contact avec les pièces en plastique et les joints des portes, faute de quoi ces pièces et portes peuvent devenir poreux.
- Ne recouvrez en aucun cas les orifices d'aération de l'appareil. Sinon l'appareil se trouverait sollicité plus fortement, ce qui augmenterait la consommation de courant.
- Il faut surveiller ou fournir des instructions plus détaillées aux personnes dont les habiletés physiques, sensorielles ou mentales sont limitées ou qui disposent de connaissances limitées relatives à l'appareil avant qu'elles n'utilisent l'appareil.
- Ne mettez pas les bâtons de popsicle ou les glaçons dans la bouche aussitôt après les avoir sortis du congélateur. **Risques de brûlures à basse température !**
- Ne touchez pas les surfaces froides à l'intérieur du compartiment si vos mains sont humides ou mouillées. La peau risquerait de rester collée sur ces surfaces extrêmement froides. **Risque de blessures !**
- N'enlevez pas le givre ou les aliments congelés collés à l'aide d'un couteau ou autre objet effilé. Vous pourriez endommager l'appareil.

Enfants à la maison

- Ne laissez pas les enfants jouer avec l'appareil !
- Si l'appareil est muni d'un verrou, gardez la clé hors de la portée des enfants.

Dispositions générales

L'appareil convient

- à réfrigérer des produits alimentaires.
- à congeler des produits alimentaires.
- à confectionner des glaçons.
- à distribuer de l'eau potable.

Cet appareil est destiné uniquement à un usage domestique.

Cet appareil est protégé contre l'interférence électrique et les surtensions.

Le circuit du fluide réfrigérant a fait l'objet d'un contrôle de fuites.

Définitions

AVERTISSEMENT

Le non-respect des instructions correspondantes pourrait entraîner la mort ou des blessures graves.

ATTENTION

Le non-respect des instructions correspondantes pourrait entraîner des blessures ou de blessures légères.

REMARQUE

Le non-respect des instructions correspondantes pourrait entraîner des dégâts.

Félicitations

Avec l'achat de ce réfrigérateur congélateur, vous venez d'opter pour un appareil électroménager moderne et de haute qualité.

Ce réfrigérateur-congélateur se distingue par sa consommation économique d'électricité.

Chaque appareil subit, avant de quitter notre usine, des contrôles fonctionnels destinés à vérifier qu'il se trouve dans un état impeccable.

Si vous souhaitez demander des précisions, notamment en ce qui concerne l'installation et le raccordement de l'appareil, notre service après-vente se tient à votre disposition.

Pour obtenir des informations supplémentaires et découvrir la gamme de nos produits, rendez-vous sur notre site Web.

Informations relatives au recyclage et à la mise au rebut

Recyclage de l'emballage

L'emballage protège l'appareil pendant le transport. Tous les éléments de l'emballage sont écologiques et recyclables.

Veuillez aider à protéger l'environnement en assurant le recyclage de l'emballage.

Veuillez contacter votre revendeur ou les autorités locales pour en savoir plus sur les possibilités qui s'offrent à vous.

AVERTISSEMENT

Risque d'asphyxie des boîtes en carton et des feuilles en plastique !

Tenez l'emballage et les composants de l'emballage hors de la portée des enfants.

Mise au rebut de votre ancien appareil

Les vieux appareils ne sont pas des détritiques sans valeur ! Le recyclage de vieux appareils permet de récupérer des matières brutes valorisables.

AVERTISSEMENT

Risque d'enfermement pour les enfants !

Les enfants risquent de s'enfermer dans l'appareil.

Avant de mettre votre ancien réfrigérateur au rebut :

Enlevez les portes et le tiroir inférieur du congélateur.

Laissez les clayettes à l'intérieur pour empêcher que les enfants puissent pénétrer facilement dedans.

Appareils redondants :

1. Débranchez le cordon d'alimentation.
2. Coupez le cordon d'alimentation, y compris la prise, et jetez-le.

Les réfrigérateurs contiennent du fluide réfrigérant et leur matériau isolant contient des gaz. Le fluide réfrigérant et les gaz doivent être retirés et éliminés de manière adéquate. Assurez-vous que les tubulures du circuit du fluide réfrigérant ne sont pas endommagées avant la mise au rebut adéquat de l'appareil.

Installation

Transport et installation

L'appareil est très lourd et doit être fixé en place pendant le transport et l'installation.

AVERTISSEMENT

Risque de blessures !

L'appareil est très lourd. Il peut se renverser pendant le transport et l'installation, entraînant des blessures graves. Il faudra au moins deux personnes pour installer l'appareil de manière sûre. Tenez les portes du réfrigérateur fermées jusqu'à ce que vous le mettiez debout et que vous l'horizontaliser au lieu d'installation.

Lieu d'installation

AVERTISSEMENT

Risque d'explosion !

Ne stockez ni n'utilisez pas d'essence ou d'autres liquides et vapeurs inflammables à proximité de cet appareil.

REMARQUE

N'installez pas l'appareil en plein air. Le lieu d'installation devrait être sec et ne devrait pas être exposé au risque de gel.

Le meilleur lieu d'installation est un local sec et aérable. Évitez de placer l'appareil à un endroit directement exposé aux rayons solaires ou à proximité d'une source de chaleur telle qu'une cuisinière, un radiateur, etc. Si l'installation près d'une source de chaleur est inévitable, utilisez une plaque isolante appropriée ou respectez les distances minimales suivantes :

- 1 1/4" (3 cm) par rapport aux cuisinières électriques ou à gaz,
- 11 3/16" (30 cm) par rapport à un appareil de chauffage au fuel ou au charbon.

Il faut maintenir un écart latéral minimum de 1" (25 mm) pour éviter la condensation d'eau en cas d'installation à côté d'un autre réfrigérateur ou congélateur.

Si l'on monte un bandeau ou un placard au sommet de l'appareil, il faudra prévoir un interstice de 13/32" (10 mm) afin de pouvoir suivant besoin sortir l'appareil de la cavité.

L'air qui s'est échauffé au dos de l'appareil doit pouvoir s'échapper sans rencontrer d'obstacle.

En cas d'installation dans un coin de pièce ou une cavité et afin de pouvoir ouvrir les portes jusqu'à la butée, il faut respecter des écarts latéraux minimums (voir le chapitre « Appareils et cotes d'encombrement »).

Si la profondeur des équipements de cuisine voisins dépasse 29 1/8" (75 cm), il faudra respecter des écarts latéraux minimums pour pouvoir exploiter intégralement l'angle d'ouverture de porte (voir le chapitre « Angle d'ouverture de porte »).

Surface porteuse

REMARQUE

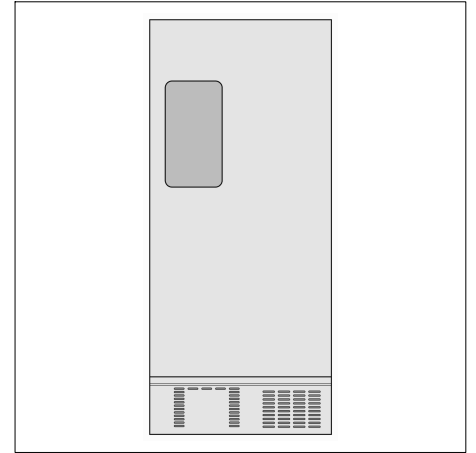
L'appareil est très lourd. Sur l'emplacement, le sol ne doit pas s'affaisser. Renforcez-le le cas échéant.

Poids à vide :

Modèle de base 324 lb (147 kg)

Aération

Ne recouvrez en aucun cas les orifices d'entrée et de sortie d'air situés à l'avant, contre le panneau du socle, ou à l'arrière, contre la plaque du couvercle.



Sinon l'appareil se trouverait sollicité plus fortement, ce qui augmenterait la consommation de courant.

Installation et raccordement de l'appareil

- Faites installer et raccorder l'appareil par un spécialiste qui procédera selon la notice de montage ci-jointe.
- Après avoir installé l'appareil, attendez au moins 8 heures avant de brancher son cordon d'alimentation. Il peut en effet arriver, pendant le transport, que l'huile présente dans le compresseur se déplace vers le circuit frigorifique.
- Avant la première mise en service, nettoyez le compartiment intérieur de l'appareil. (Voir le chapitre « Nettoyage de l'appareil »).
- Réalisez le raccordement de l'eau impérativement avant celui de l'électricité.
- Outre les prescriptions légales en vigueur dans chaque pays, il faudra respecter les conditions de branchement stipulées par les compagnies locales / nationales distributrices d'électricité et d'eau.
- N'enlevez les cales de transport retenant les clayettes et balconnets qu'après l'installation.
- Le démontage des portes de l'appareil doit se faire uniquement par un technicien du service après-vente, le cas échéant, pour faire passer l'appareil par la porte d'entrée de votre logement.

Raccordement de l'eau

⚠ AVERTISSEMENT

Risque de choc électrique et de dégâts à l'appareil !

Débranchez l'appareil de la source d'alimentation avant d'entreprendre des travaux quelconque sur le raccordement de l'eau.

Le raccordement de l'eau est une opération exclusivement réservée à un installateur professionnel qui respectera ce faisant les prescriptions publiées par la compagnie distributrice d'eau dans votre localité.

Raccordez l'appareil à la conduite d'eau :

- Pression minimale : 14,5 psi (1,0 bar)
- Pression maximale : 119 psi (8,2 bar)

Si la pression de l'eau dépasse 119 psi (8,2 bar), il faut installer un réducteur de pression. Le distributeur de glaçons ne fonctionne pas si la pression de l'eau est inférieure à 14,5 psi (1,0 bar).

Dans le cadre du raccordement de l'eau à l'appareil, il faut installer une vanne de fermeture séparée.

Cette vanne de fermeture ne doit pas se trouver derrière l'appareil. Il est recommandé de la placer directement à côté de l'appareil (unité de base) ou en tout autre endroit facile d'accès.

Vous pouvez intercaler le filtre à eau ci-joint sur la conduite d'arrivée si l'eau a un goût et une odeur. Dans ce cas-là, respectez les exigences de raccordement relatives au filtre (voir le chapitre « Filtre à eau »).

La conduite d'eau est munie d'un raccord de 3/4 pouces.

Branchement électrique

⚠ AVERTISSEMENT

Risque de choc électrique et d'incendie en cas de branchement électrique incorrect !

Branchez la fiche mâle uniquement dans une prise à 3 orifices femelles fixe reliée à la terre. L'installation et la mise à la terre de cette prise est une opération exclusivement réservée à un électricien agréé. Si vous n'êtes pas sûr, faites vérifier que l'appareil est correctement relié à la terre par un électricien agréé ou un technicien du service après-vente s'il le faut.

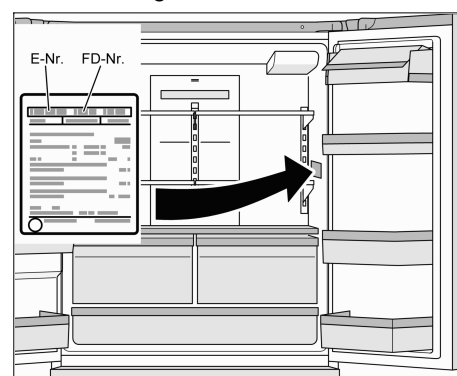
N'utilisez pas de prolongateur, ni de barre d'alimentation.

Ne branchez jamais l'appareil sur une prise destinée à économiser l'énergie (p.ex. Ecoboy, Sava Plug, etc.) ou à un convertisseur de courant continu (CC) e courant alternatif (CA) (tel que celui d'un équipement solaire, d'un bateau ou navire, etc).

La prise de l'appareil doit être facile d'accès et ne doit pas se trouver derrière celui-ci.

Branchez l'appareil sur une prise correctement installée de 115 V/60 Hz CA. La puissance nominale du fusible de la prise doit être entre 15 A ou 20 A.

Si l'appareil est destiné à être utilisé hors des États-Unis, consultez la plaque signalétique pour savoir si le type courant et le nombre de volts prescrits correspondent aux valeurs de l'alimentation disponible. Si l'alimentation ne répond pas aux valeurs prescrites, il ne faut pas mettre l'appareil en service. Le remplacement du cordon d'alimentation est une opération exclusivement réservée à un électricien agréé.



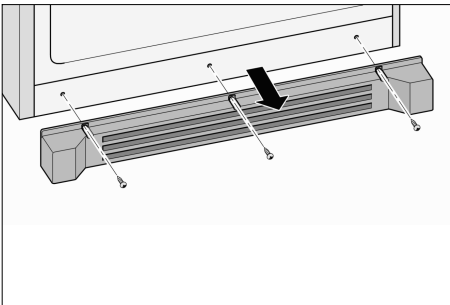
Mise à niveau de l'appareil

REMARQUE

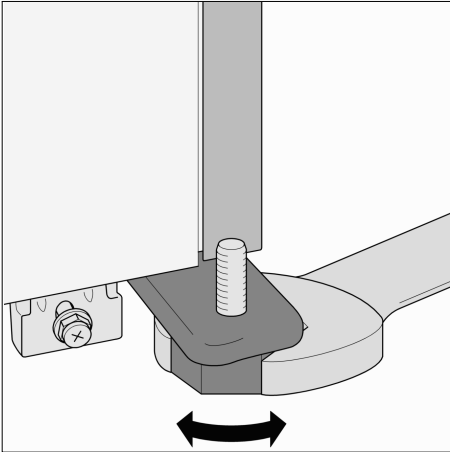
Afin que l'appareil fonctionne impeccablement, il faut l'horizontaliser à l'aide d'un niveau à bulle.

S'il n'est pas d'aplomb, l'eau risque de fuir du distributeur de glaçons, qui va produire des glaçons difformes, ou les portes risquent de ne pas bien fermer.

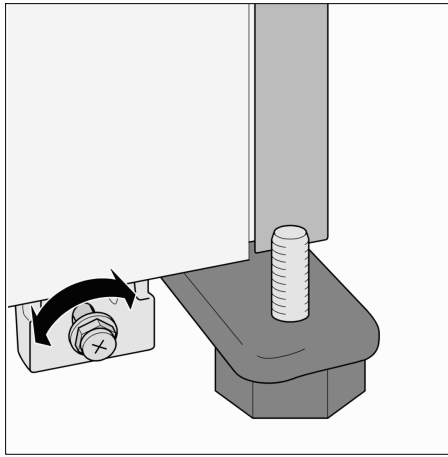
1. Amenez l'appareil sur l'emplacement prévu.



2. Enlevez les trois vis du panneau du socle.
3. Retirez le panneau du socle.



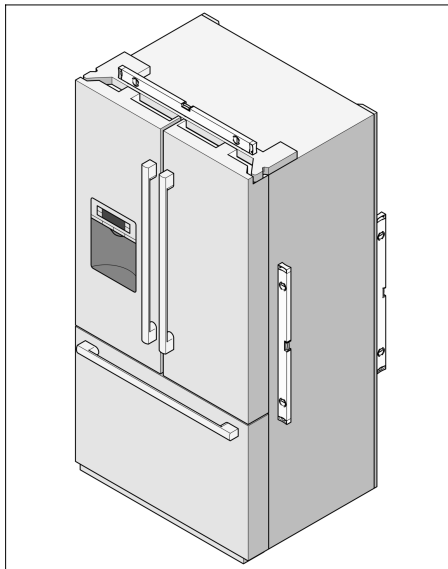
4. Ajustez la hauteur des pieds avant à l'aide d'une clé hexagonale jusqu'à ce qu'ils se posent fermement sur le plancher, puis alignez l'avant de l'appareil.



5. Serrez les vis à l'aide d'une clé hexagonale, puis alignez de l'arrière de l'appareil.

Pour soulever l'arrière de l'appareil :
Faites tourner la vis dans le sens horaire.

Pour abaisser l'arrière de l'appareil :
Faites tourner la vis dans le sens antihoraire.



6. Assurez-vous que l'appareil repose d'aplomb à l'aide d'un niveau à bulle.

REMARQUE

Pour assurer que l'appareil ne bougera pas, vérifiez que les pieds avant se posent fermement sur le plancher.

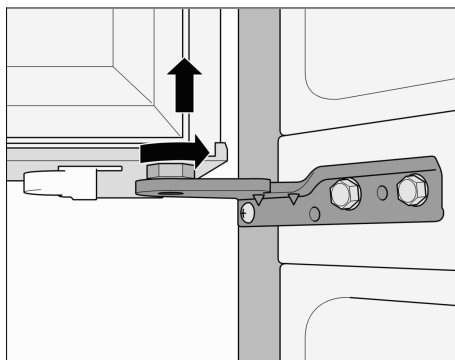
7. Si les portes du compartiment réfrigérateurs ne sont pas alignées ou si la porte du compartiment congélateur se trouve inclinée, ajustez-les en suivant la procédure ci-dessous.

Ajustement des portes du réfrigérateur

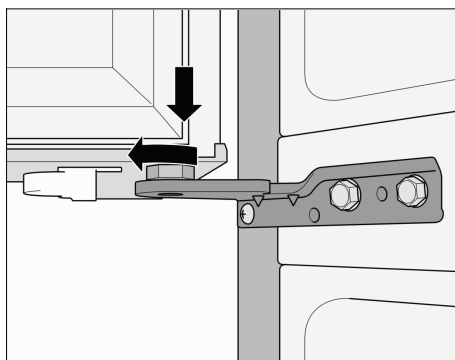
Si les portes du réfrigérateur ne sont pas au niveau :

1. Déterminez quelle porte doit être montée.
2. Réglez la hauteur de la porte en faisant tourner la vis de réglage de la charnière inférieure.

Pour faire monter une porte :
Faites tourner la vis dans le sens antihoraire.



Pour faire descendre une porte :
Faites tourner la vis dans le sens horaire.



Si les portes sont mal alignées :

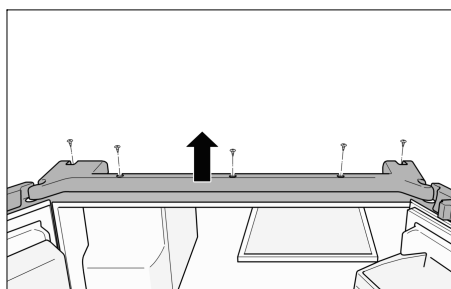
⚠ AVERTISSEMENT

Risque de choc électrique !

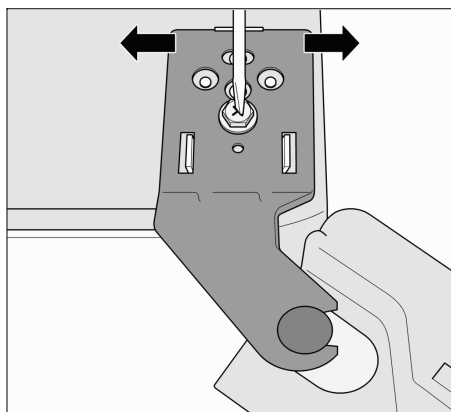
Avant d'enlever le panneau supérieur :

1. Fermez l'arrivée d'eau à l'appareil.
2. Débranchez la fiche mâle du secteur ou ramenez le disjoncteur en position éteinte.

1. Déterminez quelle porte doit être ajustée.
2. Enlevez les cinq vis du panneau supérieur.
3. Soulevez le panneau.



4. Desserrez la vis.
N'enlevez pas la vis !



5. Ajustez la position de la charnière sur l'axe horizontale pour régler l'alignement de la porte.
6. Serrez la vis.
7. Ajustez à nouveau l'alignement du panneau.
8. Insérez les cinq vis et serrez-les.

Ajustement du tiroir du compartiment congélateur

1. Déterminez quel côté doit être ajusté.
2. Desserrez les deux vis.
N'enlevez pas les vis !



3. Ajustez le tiroir du compartiment congélateur à l'aide de la vis supérieure.
4. Serrez les deux vis.

Installation des poignées

N'installez les poignées qu'après avoir installé l'appareil et vérifié qu'il repose d'aplomb.

Tous les poignées sont identiques.

Deux pellicules protectrices sont fournies avec l'appareil. Elles sont destinées à l'installation et au retrait des poignées et sont réutilisables.

Comme l'indique son nom, la pellicule protectrice protège la surface de l'appareil lors de l'installation et du retrait des poignées.

REMARQUE

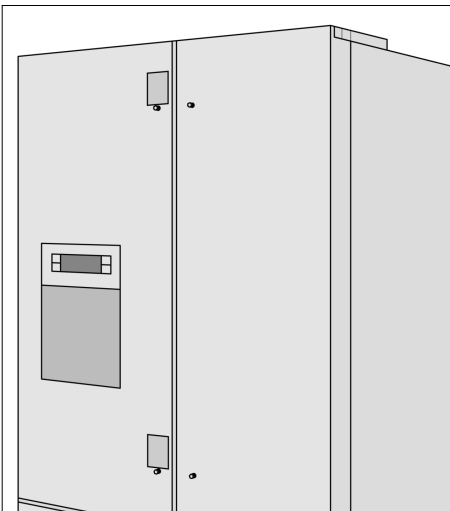
Si les poignées ne sont pas installées correctement, elles ne se déplaceront dans le bon sens.

Pour installer correctement les poignées :

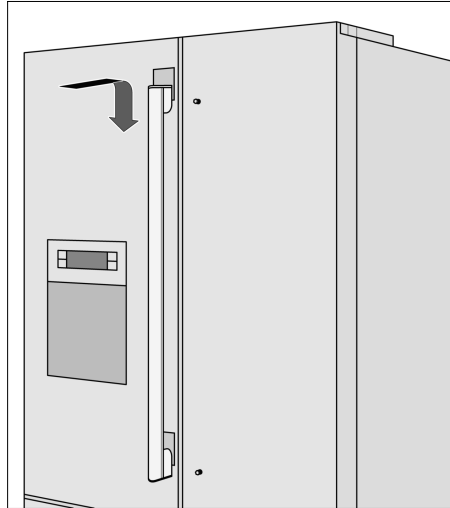
Il faut pouvoir pousser les poignées du compartiment réfrigérateur vers le bas.

Il faut pouvoir pousser la poignée du compartiment congélateur vers la droite.

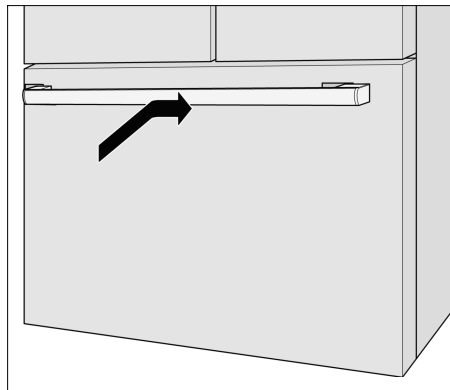
1. Mettez en place la pellicule protectrice sur l'appareil.



2. Introduisez les poignées des portes du réfrigérateur dans les fentes.
3. Poussez les poignées vers le bas jusqu'à ce qu'elles se verrouillent en place.



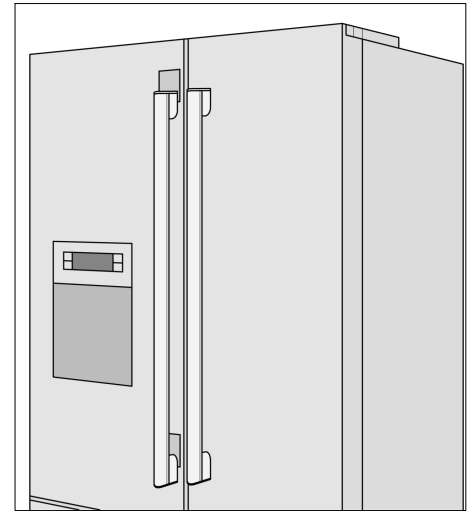
4. Introduisez la poignée du compartiment congélateur dans les fentes.
5. Poussez la poignée vers la droite jusqu'à ce qu'elle se verrouille en place.



6. Retirez la pellicule protectrice.

Retrait des poignées

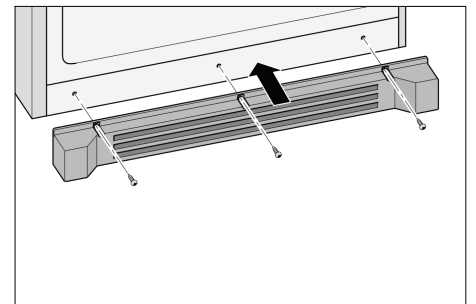
1. Emplacement de la pellicule protectrice :
 - Au-dessus des fentes des portes du réfrigérateur.
 - À gauche des fentes du tiroir du compartiment réfrigérateur.



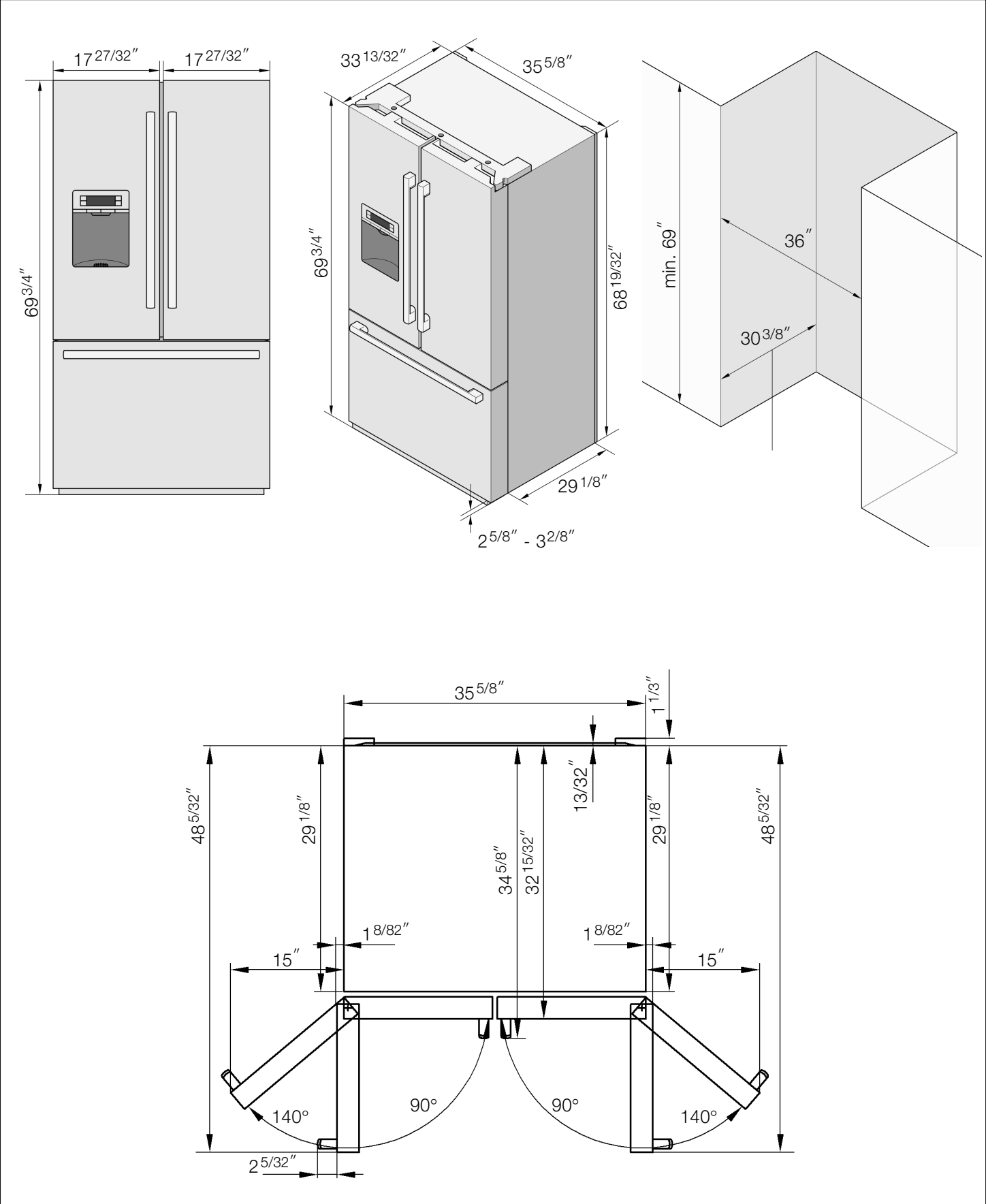
2. Poussez les poignées du compartiment réfrigérateur vers le bas et retirez-les.
3. Poussez la poignée du compartiment congélateur vers la gauche et retirez-la.
4. Retirez la pellicule protectrice. Conservez-la pour utilisation future.

Installation du panneau du socle

1. Enlevez les trois vis de l'appareil.
2. Montez le panneau du socle.
3. Insérez les trois vis et serrez-les.

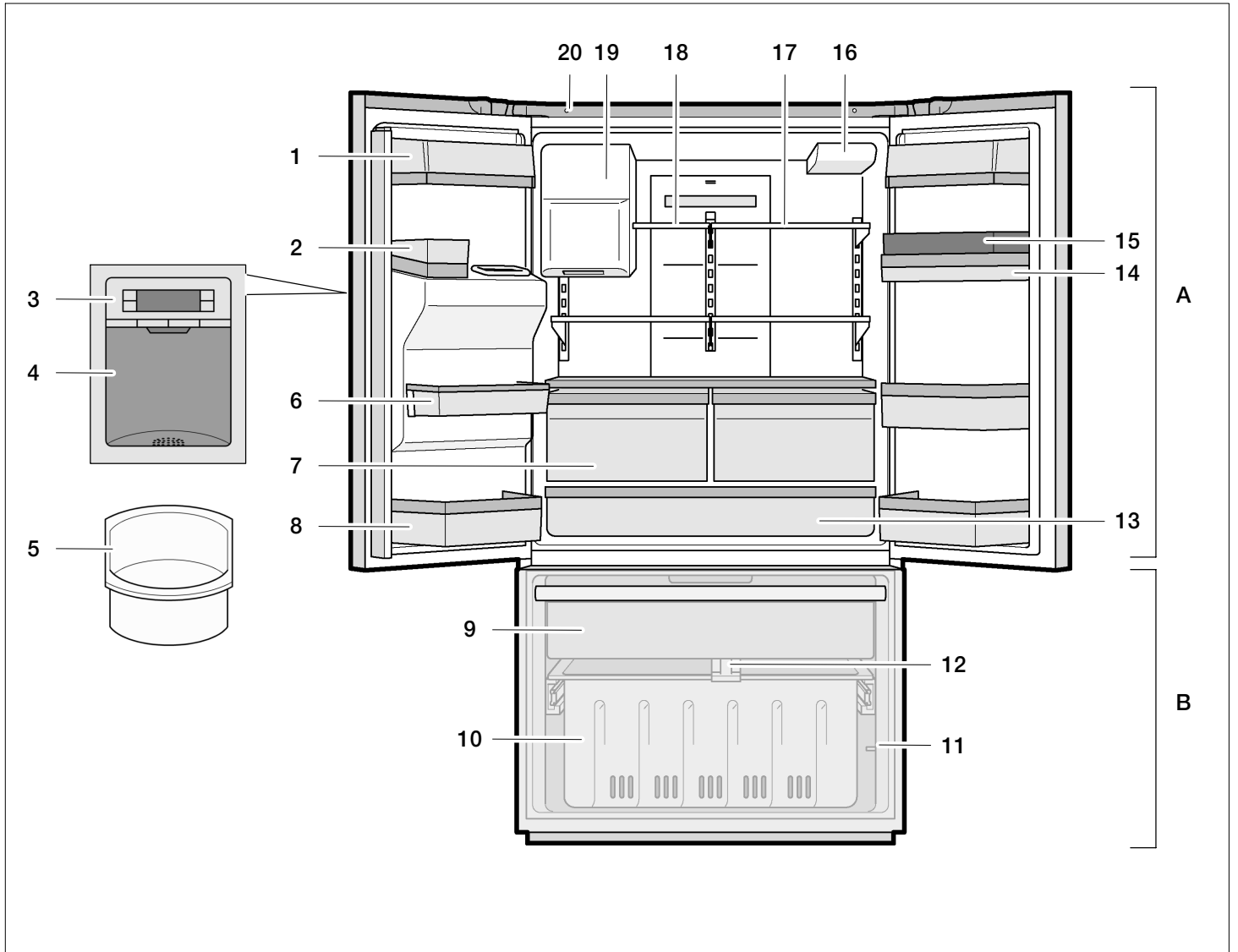


Dimensions de l'appareil et cotes d'encombrement



Présentation de l'appareil

La présente notice d'utilisation vaut pour plusieurs modèles. Selon le modèle, l'appareil peut différer du contenu des illustrations.



A Compartiment réfrigérateur réglable
entre 35 °F (+2 °C)
et 46 °F (+8 °C)

B Compartiment congélateur réglable
entre 5 °F (-15 °C)
et -7 °F (-22 °C)

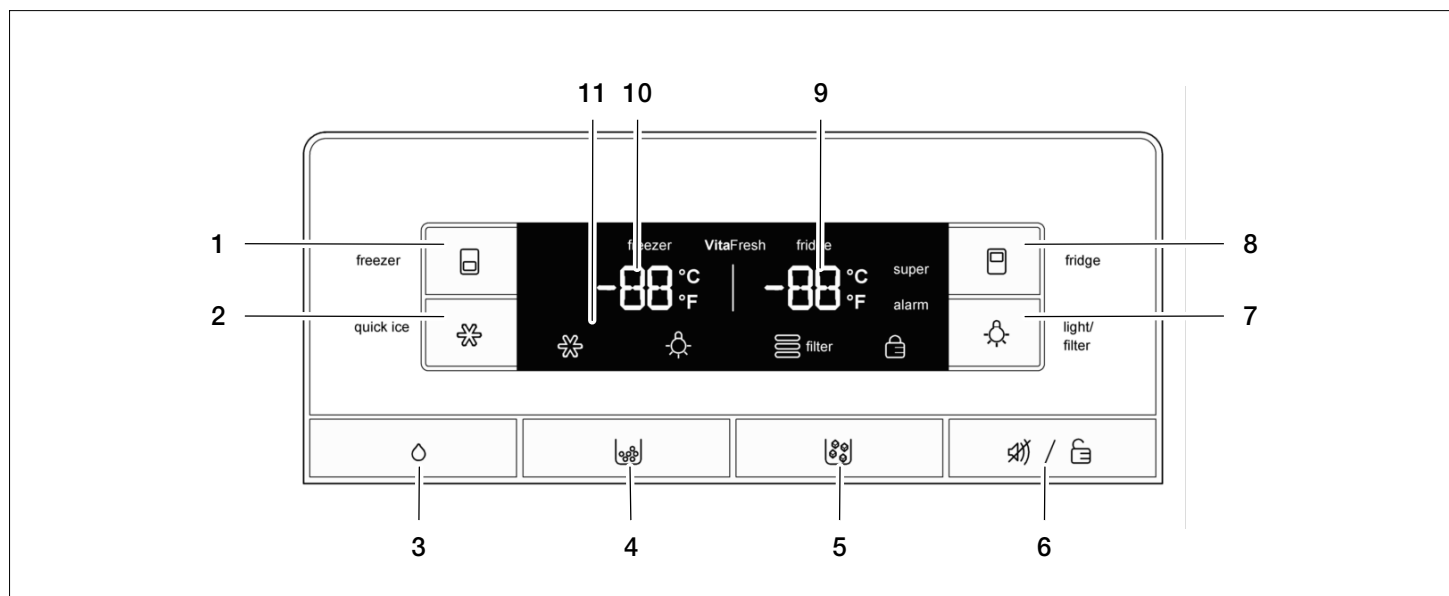
- | | |
|--|---|
| 1 Casier à beurre et à fromage | 11 Interrupteur de l'éclairage du compartiment congélateur |
| 2 Support à canettes | 12 Diviseur du compartiment congélateur |
| 3 Panneau de commande et d'affichage | 13 Tiroir pour aliments fins avec voyant DEL |
| 4 Distributeur de glaçons et d'eau | 14 Support en contre-porte |
| 5 Bac à glaçons | 15 Bac à œufs |
| 6 Support en contre-porte | 16 Filtre à eau |
| 7 Compartiment Vita Fresh avec voyant DEL | 17 Clayette en verre réglable |
| 8 Support en contre-porteamovible | 18 Petite clayette en verre |
| 9 Tiroir supérieur du congélateur | 19 Distributeur de glaçons / Bac à glaçons |
| 10 Tiroir inférieur du congélateur | 20 Interrupteur de l'éclairage du compartiment réfrigérateur |

Panneau de commande et d'affichage

Le panneau de commande et d'affichage à la porte gauche du réfrigérateur comprend un champ tactile.

Appuyez sur une touche tactile pour déclencher la fonction correspondante.

L'éclairage du panneau de commande et d'affichage s'éteint au bout d'environ 1 minute si on n'appuie sur aucune touche tactile.



1 Bouton « freezer » [congélateur]

Fonction :

- Ajustement de la température du compartiment congélateur
- Activation et désactivation de la fonction « Super freeze » [« Supercongélation »].

2 Bouton « quick ice » [production rapide de glaçons]

Interrupteur des la production rapide de glaçons.

3 Interrupteur du distributeur d'eau

4 Bouton du distributeur de glace pilée

5 Bouton du distributeur de glaçons

6 Bouton « alarm/lock » [alarme/verrouillage]

Fonction :

- Extinction de l'alarme sonore
- Activation et désactivation du blocage du panneau.

7 Bouton « light/filter » [éclairage/filtre]

Fonction :

- Activation et désactivation du distributeur de glaçons et d'eau.
- Réinitialisation de l'indicateur de l'utilisation du filtre.

8 Bouton « fridge » [réfrigérateur]

Fonction :

- Ajustement de la température du compartiment réfrigérateur
- Activation et désactivation de la fonction « Super cool » [superréfrigération].

9 Affichage de température du compartiment réfrigérateur

Affiche le réglage de la température du compartiment réfrigérateur.

10 Affichage de température du compartiment congélateur

Affiche le réglage de la température du compartiment congélateur.

11 Symboles du panneau d'affichage



« quick ice » [production rapide de glaçons]

S'affiche lorsque la fonction « quick ice » [de production rapide de glaçons] est activée.



« Light » [Éclairage]

S'affiche lorsque l'éclairage du distributeur de glaçons et d'eau est allumé.



« Water filter » [Filtre à eau]

Affiche l'état de la cartouche du filtre à eau.



« Panel lock » [Blocage du panneau]

S'affiche lorsque le blocage du panneau est activé.

Conseils d'utilisation

Ouverture et fermeture des portes du compartiment réfrigérateur

Les portes du compartiment réfrigérateur peuvent s'ouvrir indépendamment l'une de l'autre.

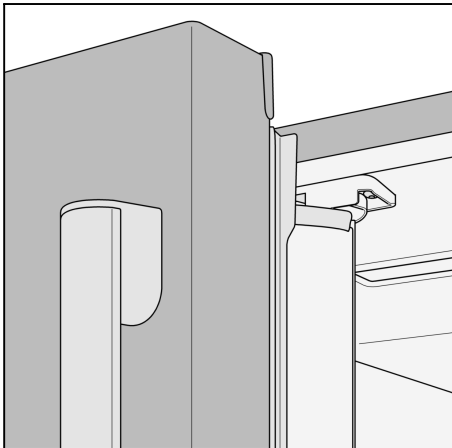
La porte gauche du compartiment réfrigérateur comprend un minibar escamotable.

REMARQUE

Risque de dégâts à l'appareil !

Si vous essayez de fermer la porte gauche du compartiment réfrigérateur sans avoir replié le minibar de la porte, celui-ci pourrait être endommagé.

Avant de fermer les portes du compartiment réfrigérateur, assurez-vous que le minibar est replié à angle droit par rapport à la porte.



Lors de la fermeture de la porte gauche du compartiment réfrigérateur, le minibar se replie derrière la porte droite en formant un joint étanche derrière. Les portes du compartiment réfrigérateur

Enclenchement de l'appareil

REMARQUE

Après avoir installé l'appareil, attendez au moins 8 heures avant de brancher son cordon d'alimentation. Il peut en effet arriver, pendant le transport, que l'huile présente dans le compresseur se déplace vers le circuit frigorifique.

Branchez la fiche mâle dans la prise murale.

Une fois l'appareil branché, le processus de réfrigération se met en marche. L'éclairage intérieur du compartiment réfrigérateur s'allume lorsque la porte est ouverte.

Il faudra plusieurs heures pour que l'intérieur atteigne la température pré-réglée en usine. Ne mettez pas d'aliments dans l'appareil avant que cette température ne soit atteinte.

Réglage de la température

Compartiment réfrigérateur

(réglable entre 35 °F (+2 °C) et 46 °F (+8 °C))

Appuyez sur la touche « fridge » [réfrigérateur] jusqu'à ce que la température voulue du compartiment réfrigérateur soit atteinte.



Le système mémorise la valeur affichée en dernier.

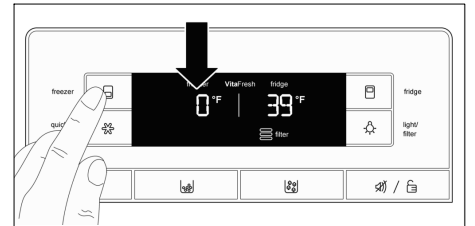
Nous conseillons de régler l'appareil sur 39 °F (+4 °C).

Évitez de stocker les produits alimentaires délicats à une température supérieure à 39 °F (+4 °C).

Compartiment congélateur

(réglable entre 5 °F (-15 °C) et -7 °F (-22 °C))

Appuyez sur la touche « freezer » [congélateur] jusqu'à ce que la température voulue du compartiment congélateur soit atteinte.



La valeur de température la plus récente est enregistrée.

Nous conseillons de régler l'appareil sur 0 °F (-18 °C).

Function d'alarme

Le signal d'avertissement se fait entendre lorsque l'intérieur de l'appareil est trop chaud ou que les portes de l'appareil restent ouvertes pendant plus d'une minute.

L'alarme retentit trois fois, puis une minute en continu chaque fois qu'elle s'enclenche. Il y a une pause d'une minute entre les signaux d'alarme.

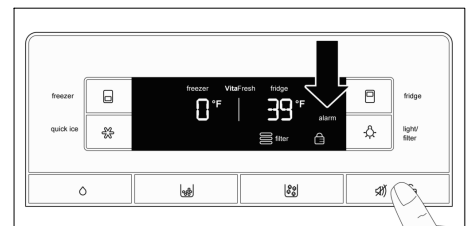
Compartiment réfrigérateur

La mention « alarm » s'affiche au côté droit du panneau d'affichage.

Pour éteindre l'alarme sonore :

Appuyez sur la touche « alarm/lock » ou fermez les portes du compartiment réfrigérateur.

La mention « alarm » clignote sur le panneau d'affichage jusqu'à ce que la température s'approche de la température sélectionnée.



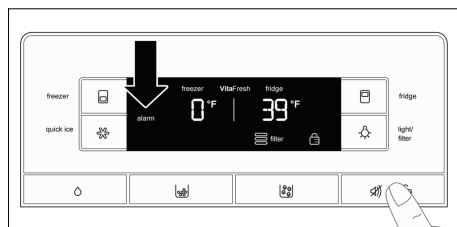
Compartiment congélateur

La mention « alarm » s'affiche au côté gauche du panneau d'affichage.

Pour éteindre l'alarme sonore :

Appuyez sur la touche « alarm/lock » ou fermez les portes du compartiment congélateur.

La mention « alarm » clignote sur le panneau d'affichage jusqu'à ce que la température s'approche de la température sélectionnée.



Blocage du panneau

Lorsque le blocage du panneau est activé, toutes les touches du panneau de commande et d'affichage sont verrouillées.

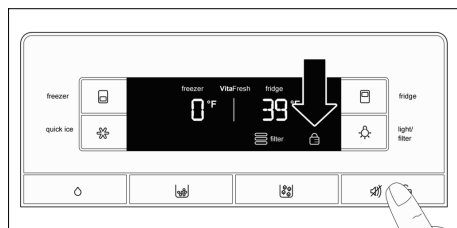
REMARQUE

Lorsque le blocage du panneau est activé, il faut utiliser la touche « alarm/lock » éteindre l'alarme sonore.

Pour activer et désactiver le blocage du panneau :

Appuyez sur la touche « alarm/lock » pendant 2 secondes.

Le symbole « Blocage du panneau » s'affiche lorsque cette fonction est activée.



Superréfrigération

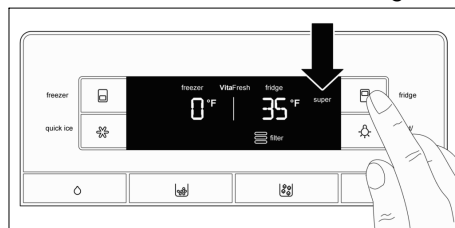
Pendant la superréfrigération, la température dans le compartiment réfrigérateur descend le plus bas possible pendant environ 6 heures. Ensuite, l'appareil commute sur une température de 39 °F (+4 °C).

La superréfrigération est particulièrement recommandée :

- Avant de ranger de grandes quantités d'aliments.
- Pour refroidir rapidement des boissons.

Pour activer la superréfrigération :

Appuyez sur la touche « fridge » jusqu'à ce que la mention « super » s'affiche au côté droit de l'affichage.



Pour désactiver la superréfrigération :

Appuyez sur la touche « fridge ». La mention « super » disparaît de l'affichage. L'appareil commute automatiquement sur une température de 39 °F (+4 °C).

Supercongélation

Les aliments doivent congeler à cœur aussi vite que possible pour qu'ils conservent vitamines, valeur nutritive, aspect et goût.

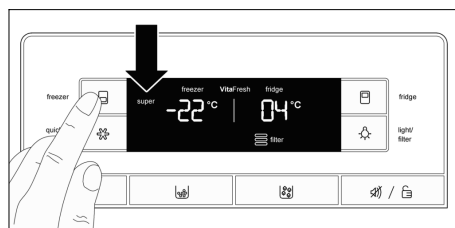
Pour éviter une augmentation indésirable de la température lorsque vous rangez des produits alimentaires frais, appuyez sur la touche de supercongélation quelques heures avant de les ranger.

4 à 6 heures suffisent généralement. Si vous désirez congeler des quantités correspondant à la capacité de congélation maximale, vous devrez enclencher la supercongélation 24 heures avant.

Si vous ne voulez congeler que de petites quantités d'aliments vous n'avez pas besoin d'enclencher la supercongélation.

Pour activer la supercongélation :

Appuyez sur la touche « freezer » jusqu'à ce que la mention « super » s'affiche au côté gauche de l'affichage.



Pour désactiver la supercongélation :

Appuyez sur la touche « freezer ».

La mention « super » disparaît de l'affichage. L'appareil commute automatiquement sur une température de 0 °F (-18 °C).

REMARQUE

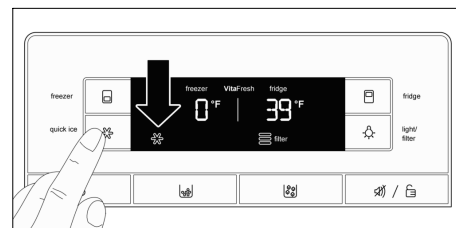
La supercongélation se désactive automatiquement au bout d'environ 2 jours.

Production rapide de glaçons

Cette fonction permet de produire rapidement des glaçons.

Pour activer la production rapide de glaçons :

Appuyez sur la touche « quick ice ». La mention « quick ice » s'affiche.



Une fois que le distributeur de glaçons est plein, la fonction de production rapide de glaçons se désactive automatiquement au bout de quelques heures.

REMARQUE

Lorsque la fonction de production rapide de glaçons est activée, l'appareil augmente temporairement sa puissance. Sa consommation d'énergie augmente en conséquence.

Symbole du filtre à eau

Ce symbole indique la durée de l'utilisation de la cartouche filtrante.



Jusqu'à deux mois.



Jusqu'à quatre mois.



Jusqu'à six mois.

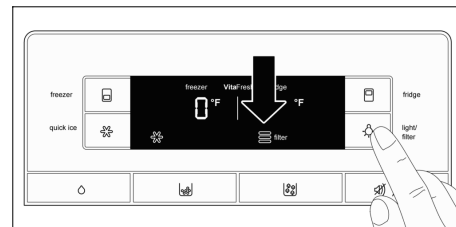


Après six mois, le symbole clignote. Changez la cartouche filtrante.

Lorsque l'appareil est éteint, l'indicateur d'utilisation du filtre à eau se réinitialise.

Pour réinitialiser l'indicateur d'utilisation après un changement de filtre :

Maintenez enfoncée la touche « light/filter » pendant 3 secondes.



Le symbole arrête de clignoter.

Unité de température

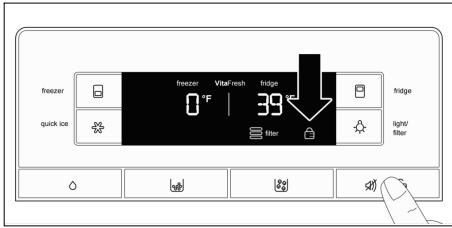
L'affichage de la température peut se faire en degrés Fahrenheit (°F) ou Celsius (°C).

Après l'enclenchement de l'appareil, la température s'affiche en degrés Fahrenheit (°F).

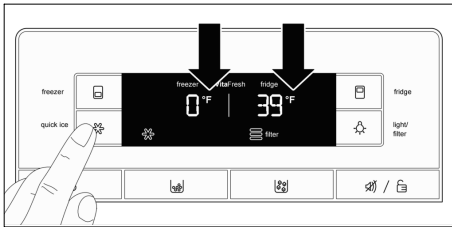
Pour régler l'unité de température :

Appuyez sur la touche « alarm/lock » pendant 2 secondes.

Le symbole « Blocage du panneau » s'affiche.



Maintenez enfoncée la touche « quick ice » pendant 15 secondes jusqu'au changement de l'unité de température.



Compartment réfrigérateur

⚠ AVERTISSEMENT

Risque d'explosion !

Ne stockez aucun produit contenant des agents propulsifs (p.ex. des bombes aérosols), ni aucune substance explosive ou facilement inflammable dans l'appareil.

Conservez les bouteilles d'alcools concentrés uniquement bien fermées et placées debout.

La température du compartiment réfrigérateur se règle entre 35 °F (+2 °C) et 46 °F (+8 °C).

Nous conseillons de régler l'appareil sur 39 °F (+4 °C).

Évitez de stocker les produits alimentaires délicats à une température supérieure à 39 °F (+4 °C).

Utilisation du compartiment réfrigérateur

Pour entreposer les repas prêts à consommer, les gâteaux et pâtisseries, les aliments en conserve, le lait concentré, le fromage, les pâtes à tartiner, les sauces, les sauces froides et les œufs.

Consignes de rangement à respecter :

- Attendez que les boissons et aliments chauds aient refroidi à la température de la pièce avant de les ranger dans l'appareil.
- L'air ne doit pas pénétrer dans l'emballage pour que les aliments ne perdent pas leur goût ni ne sèchent pas.
- Veillez à ce que les produits alimentaires n'obstruent pas les orifices de sortie d'air car cela gênerait sa circulation.
- Les huiles et graisses ne doivent pas entrer en contact avec les pièces en plastique et le joint de la porte.

Compartment Vita Fresh

(selon le modèle)

La température à l'intérieur du compartiment Vita Fresh est maintenue à près de 32 °F (0 °C). Ce bas niveau de température offre des conditions d'entreposage optimales pour les denrées périssables.

Le compartiment Vita Fresh permet de conserver les aliments plus longtemps qu'un compartiment de réfrigérateur classique, tout en gardant leur fraîcheur.

Le compartiment Vita Fresh est recouvert d'un filtre d'humidité spécial. Ce filtre optimise le taux d'humidité à l'intérieur du compartiment Vita Fresh. Selon la quantité de denrées entreposées dans le compartiment Vita Fresh, le taux d'humidité peut atteindre jusqu'à 90 %, ce qui est idéal pour les produits maraîchers et de plein champ tels que les légumes, la salade, les fines herbes et les fruits.

Vita Fresh convient pour :

Par définition tous les produits alimentaires frais et qui doivent le rester encore assez longtemps tels que la viande et la charcuterie, le poisson frais, les fruits de mer, le lait, le beurre, le fromage à pâte molle, le fromage blanc, les fruits et légumes.

Vita Fresh ne convient pas pour :

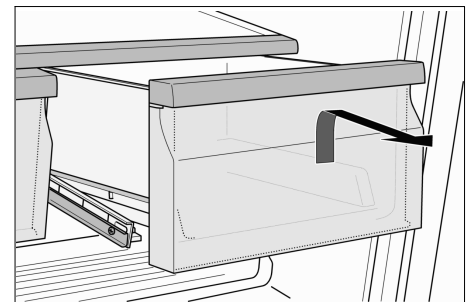
Fruits et légumes craignant le froid tels que les fruits tropicaux, avocats, papayes, fruits de la passion, aubergines, cornichons, poivrons, en outre les fruits finissant de mûrir, les tomates vertes, pommes de terre.

Attention lors de l'achat de denrées alimentaires :

La fraîcheur du produit à l'achat est un facteur crucial dans la durée de conservation des denrées. En général, plus les produits sont frais au moment de l'entreposage dans les compartiments Vita Fresh, plus ils gardent leur fraîcheur longtemps. Par conséquent, vérifiez toujours la fraîcheur des denrées au moment de l'achat.

Extraction des tiroirs Vita Fresh

1. Tirez les tiroirs Vita Fresh au maximum.
2. Soulevez la partie avant des tiroirs Vita Fresh et retirez ces derniers.



3. Insertion des tiroirs Vita Fresh : Engagez les tiroirs Vita Fresh dans les glissières et poussez-les vers l'arrière.

Tiroir pour aliments fins

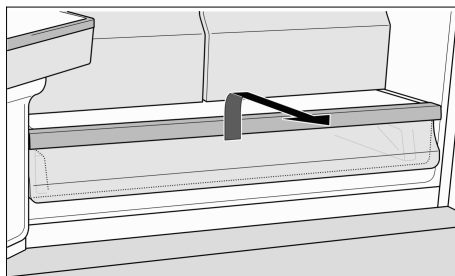
La température du tiroir pour aliments fins est maintenue à un degré constant, juste en dessous du point de congélation. Ceci permet de conserver les viandes et les produits à base de viande, le poisson, les fruits de mer, les produits laitiers ainsi que le fromage à pâte dure et molle dans des conditions d'entreposage optimales.

REMARQUE

Ne jamais entreposer de denrées sensibles au froid dans un tiroir pour aliments fins.

Extraction du tiroir pour aliments fins

1. Tirez le tiroir pour aliments fins au maximum.
2. Soulevez la partie avant du tiroir pour aliments fins et retirez celui-ci.

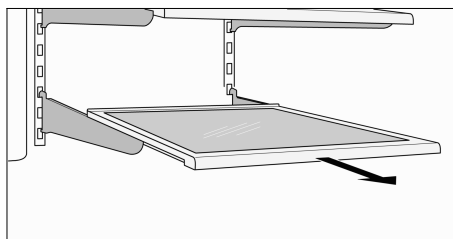


3. Insertion du tiroir : Engagez le tiroir pour aliments fins dans les glissières et poussez vers l'arrière.

Agencement variable du compartiment intérieur

Clayettes en verre

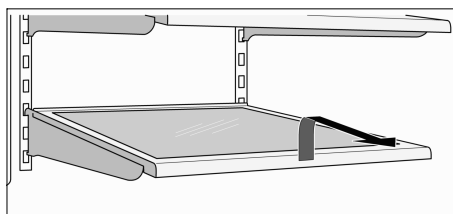
Il est possible de retirer les clayettes en verre.



Vous pouvez retirer les clayettes en verre et régler leur hauteur.

Retrait d'une clayette en verre

Soulevez la clayette et tirez-la à vous. Sortez les languettes du support, puis retirez la clayette.

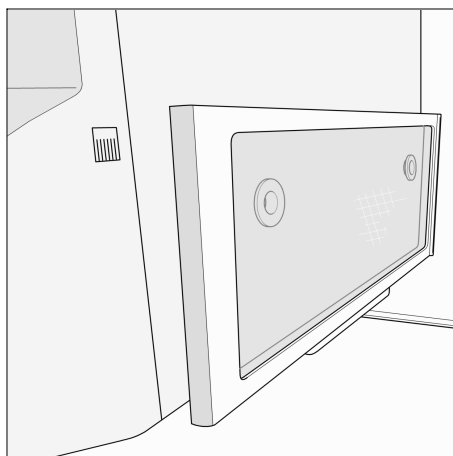


Installation d'une clayette en verre

Soulevez l'avant de la clayette et introduisez les languettes dans le support à la hauteur voulue. Abaissez l'avant de la clayette.

Petite clayette en verre

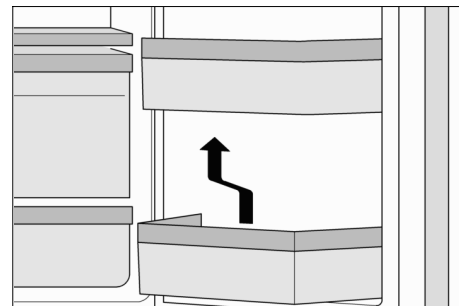
Il est possible d'enlever cette clayette et de la ranger sous le distributeur de glaçons. Cela permet de ranger de grands articles telles que des grandes bouteilles à côté du distributeur de glaçons.



Supports en contre-porte

Pour enlever un support en contre-porte :

Soulevez le support en contre-porte et retirez-le.

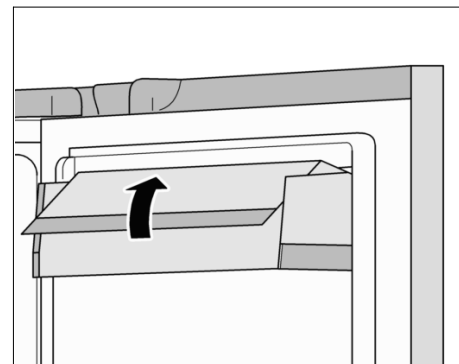


Pour enlever un support en contre-porte :

Positionnez le support à la hauteur voulue et abaissez-le pour le fixer en place.

Casier à beurre et à fromage

Soulevez le couvercle du casier à beurre et à fromage.



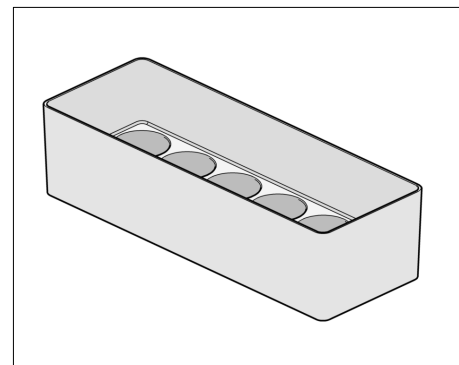
Pour enlever le casier à beurre et à fromage :

Soulevez le casier et retirez-le.

Pour installer le casier à beurre et à fromage :

Positionnez le casier à la hauteur voulue et abaissez-le pour le fixer en place.

Bac à œufs



Compartiment congélateur

AVERTISSEMENT

Risque d'explosion !

Ne stockez aucun produit contenant des agents propulsifs (p.ex. des bombes aérosols), ni aucune substance explosive ou facilement inflammable dans l'appareil.

La température du compartiment congélateur se règle entre 5 °F (-15 °C) and -7 °F (-22 °C).

Nous conseillons de régler l'appareil sur 0 °F (-18 °C).

REMARQUE

Veillez à ce que la porte du compartiment congélateur soit toujours fermée. Si cette porte reste ouverte, les produits surgelés dégèleront. Le compartiment réfrigérateur se couvrira de givre. En outre, vous gaspillerez de l'énergie vu la forte consommation de courant.

Le fait de refermer la porte du compartiment congélateur engendre une dépression dedans.

Si vous n'arrivez pas à ouvrir aussitôt la porte du compartiment congélateur, attendez deux à trois minutes, temps nécessaire à la dépression pour se résorber.

Utilisez le compartiment congélateur pour :

- ranger des produits surgelés,
- congeler des produits alimentaires,
- confectionner et stocker des glaçons.

Congélation d'aliments

N'utilisez que des aliments frais et d'un aspect impeccable. Veillez à ce que les produits alimentaires à congeler n'entrent pas en contact avec des produits déjà congelés. L'air ne doit pas pénétrer dans l'emballage pour que les aliments ne perdent pas leur goût ni ne sèchent pas.

Pour emballer correctement :

1. Placez les aliments dans l'emballage.
2. Chassez complètement l'air de l'emballage.
3. Obturez l'emballage hermétiquement.
4. Inscrivez sur l'emballage le nom du contenu et la date de congélation.

Emballages inadaptés :

Papier d'emballage, papier sulfurisé, cellophane, sacs-poubelles, sacs d'achat déjà utilisés.

Emballages adaptés :

Feuilles en plastique, feuilles en polyéthylène, feuilles d'aluminium, boîtes de congélation. Ces produits sont en vente dans le commerce spécialisé.

Pour obturer les emballages, utilisez des :

Caoutchoucs, clips en plastique, ficelles, rubans adhésifs résistants au froid, ou assimilé. Vous pouvez fermer les sachets et feuilles en polyéthylène au moyen d'un appareil à souder.

Durée de conservation des aliments congelés

La durée de conservation dépend de la nature des produits alimentaires. Si la température a été réglée sur 0 °F (-18 °C) :

- Poisson, charcuterie, plats pré-cuisinés, pâtisseries : **jusqu'à 6 mois**
- Fromage, volaille, viande : **jusqu'à 8 mois**
- Fruits et légumes : **jusqu'à 12 mois.**

Achat et stockage de produits surgelés

Au moment d'acheter des produits surgelés, tenez compte de ce qui suit :

- Vérifiez que l'emballage n'est pas endommagé.
- Vérifiez la date limite de consommation recommandée.
- La température maximale indiquée par le thermomètre du congélateur commercial ne doit pas dépasser 0 °F (-18 °C). Si ce n'est pas le cas, la durée de conservation des produits surgelés diminue en conséquence.
- Achetez les produits surgelés en dernier. Emballez-les dans du papier journal ou utilisez un sac isotherme pour le transport.
- Une fois revenu chez vous, rangez les produits surgelés immédiatement dans le compartiment congélateur. Consommez les produits surgelés avant la date limite de consommation recommandée.

Décongélation des produit

ATTENTION

Risque d'empoisonnement !

Ne remettez pas à congeler des produits alimentaires partiellement ou entièrement décongelés. Ne recongelez les produits qu'après les avoir transformés (cuisson ou rôtissage). Dans ce cas, consommez-les nettement avant la date limite de conservation.

Selon la nature et l'utilisation des produits surgelés, vous pouvez choisir entre plusieurs possibilités :

- À la température ambiante.
- Dans le réfrigérateur.
- Dans le four électrique, avec ou sans ventilateur à air chaud.
- Dans le micro-ondes.

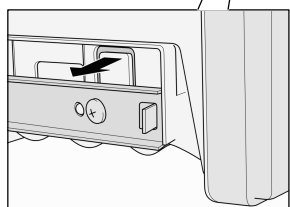
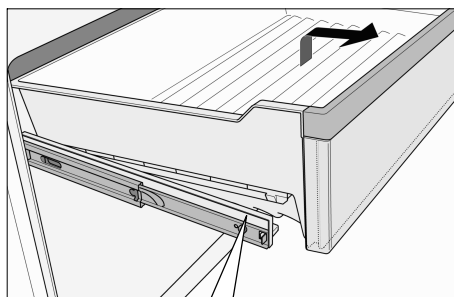
Équipement du compartiment congélateur

Tiroir supérieur du congélateur

Il est possible de retirer le tiroir du congélateur.

Pour retirer le tiroir supérieur du congélateur :

1. Tirez le compartiment supérieur du congélateur jusqu'à la butée.
2. Retirez avec soin les attaches des deux côtés, puis soulevez l'avant du tiroir du congélateur.
3. Retirez le tiroir du congélateur.

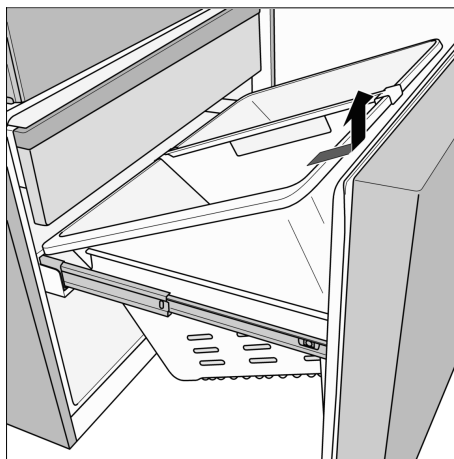


Tiroir inférieur du congélateur

Il est possible de retirer le tiroir du congélateur.

Pour retirer le tiroir inférieur du congélateur :

Soulevez le tiroir du congélateur et retirez-le.



Distributeur de glaçons et d'eau

Vous pouvez prélever, suivant besoins :

- de l'eau réfrigérée,
- de la glace pilée,
- des glaçons.

⚠ AVERTISSEMENT

Risque de blessures de verre brisé !

Ne prélevez jamais d'eau ou de glaçons dans un récipient fragile.

⚠ AVERTISSEMENT

Risque de blessure du broyeur à glace !

N'introduisez jamais les doigts dans l'orifice de distribution des glaçons.

REMARQUE

Risque de dégâts à l'appareil !

Ne mettez jamais de bouteilles ou produits alimentaires dans le distributeur de glaçons pour les faire refroidir rapidement. Il risquerait de se bloquer et de s'endommager.

Consignes pour la mise en service de l'appareil

La distribution de glaçons et d'eau ne fonctionne que si l'appareil a été raccordé au réseau d'eau.

Après la mise en service de l'appareil, il faut environ 24 heures pour que les premiers glaçons soient prêts.

Après le raccordement, les conduites contiennent encore des bulles d'air. Prélevez de l'eau et jetez-la jusqu'à ce qu'elle sorte sans bulles. Jetez le contenu des 5 premiers verres.

Si vous utilisez le distributeur de glaçons pour la première fois, n'utilisez pas, pour des motifs d'hygiène, les 30 à 40 premiers glaçons.

Remarques concernant le fonctionnement du distributeur de glaçons

Une fois que le compartiment congélateur a atteint la température de congélation, l'eau afflue dans ce distributeur et se solidifie dans ses compartiments pour former des glaçons. Les glaçons finis sont automatiquement transférés dans le bac à glaçons.

Parfois, plusieurs glaçons à la fois s'accumulent sur le côté. Ils se détachent généralement d'eux-mêmes pendant leur transfert vers l'orifice de distribution.

Une fois que le distributeur de glaçons est plein, la préparation de glaçons cesse automatiquement.

Le distributeur à glaçons peut produire environ 100 glaçons dans un délai de 24 heures lorsque le bac à glaçons est vidé à plusieurs reprises au cours d'une journée.

Lors de la confection des glaçons, on entend le bourdonnement de l'électrovanne à eau, l'afflux d'eau dans le bac à glaçons et la chute des glaçons.

Qualité de l'eau potable

ATTENTION

Le filtre à eau livré avec l'appareil filtre exclusivement les particules en suspension dans l'eau entrante. Il ne retient ni les bactéries, ni les microbes.

Tous les matériaux utilisés dans le distributeur d'eau sont inodores et sans saveur.

Si l'eau devait avoir un goût, les raisons peuvent être les suivantes :

- Teneur de l'eau potable en sels minéraux et en chlore
- Matériau de la conduite d'adduction d'eau à la maison ou de raccordement
- Fraîcheur de l'eau potable. Si aucune eau n'a été prélevée pendant longtemps, elle peut prendre un goût « pas frais ». Dans ce cas-là, prélevez environ 15 verres d'eau et jetez leur contenu.

Vous pouvez intercaler le filtre à eau ci-joint sur la conduite d'arrivée si l'eau a un goût et une odeur.

Prélèvement de l'eau

1. Tenez un récipient adéquat sous le distributeur de glaçons et d'eau.
2. Appuyez sur la touche de prélèvement d'eau jusqu'à ce que la quantité souhaitée soit dans le récipient.



Un conseil :

L'eau sortant du distributeur d'eau se trouve à une température fraîche adaptée à sa dégustation. Si vous voulez de l'eau plus froide, mettez quelques glaçons dans le verre avant d'en prélever.

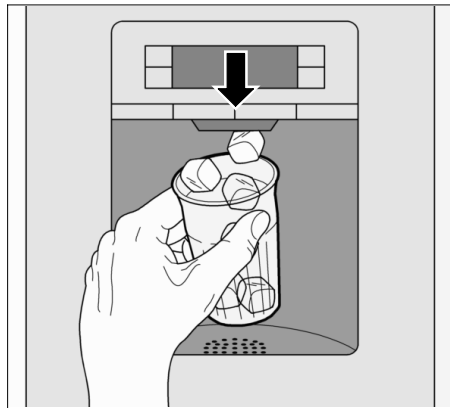
Prélèvement de glaçons et de glace pilée

REMARQUE

Appuyez sur la touche de prélèvement de glaçons ou de glace pilée jusqu'à ce que la quantité souhaitée soit dans le récipient, puis relâchez-la. La présence de glaçons dans l'orifice de distribution des glaçons pourrait entraîner le débordement du récipient ou le blocage de l'orifice du distributeur.

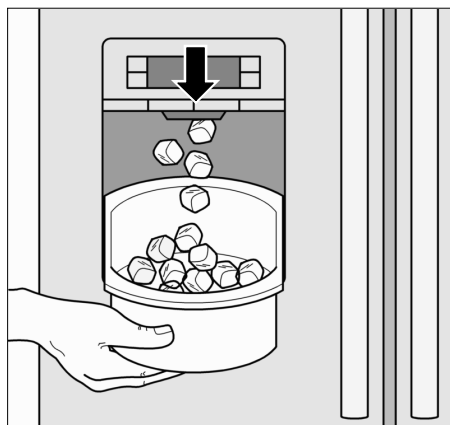
Si vous obtenez de la glace pilée avant les glaçons, l'ouverture du distributeur de glaçons peut contenir encore quelques particules de glace pilée. Ces particules se mélangeront au prochain lot de glaçons produit.

1. Tenez un récipient adéquat sous le distributeur de glaçons et d'eau.
2. Appuyez sur la touche de prélèvement de glaçons ou de glace pilée jusqu'à ce que la quantité souhaitée soit dans le récipient.



Bac à glaçons

Le bac à glaçons stocke des glaçons de réserve dans le compartiment congélateur. Le bac à glaçons, de par sa forme, s'adapte parfaitement au distributeur de glaçons et d'eau.



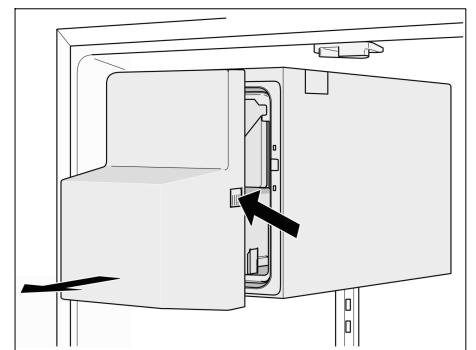
Désactivation du distributeur de glaçons

REMARQUE

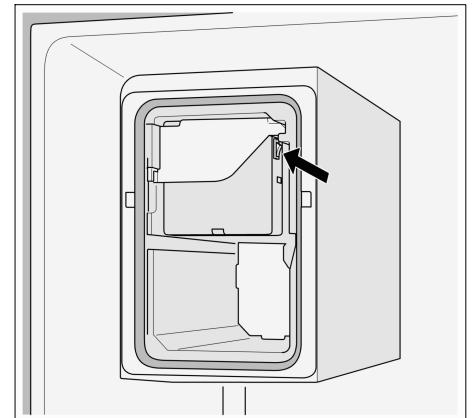
Assurez-vous de couper le raccordement de l'eau à l'appareil quelques heures avant de désactiver le distributeur de glaçons.

Si vous prévoyez de ne pas prélever de glaçons pendant plus d'une semaine (départ en vacances p. ex.), il faudrait désactiver temporairement le distributeur pour empêcher que les glaçons ne se soudent entre eux.

1. Appuyez sur le bouton de retrait et retirez le bac à glaçons.



2. Mettez l'interrupteur marche/arrêt à l'arrière du bac à glaçons en position d'arrêt (0) ; cette action éteint le distributeur de glaçons.



3. Videz le bac à glaçons et nettoyez-le.
4. Poussez le bac à glaçons complètement à l'arrière sur les surfaces d'appui, jusqu'à ce qu'il encoche.

Remise en service du distributeur de glaçons :

- Mettez l'interrupteur marche/arrêt à l'arrière du bac à glaçons en position de marche (1) ; cette action rallume le distributeur de glaçons.

Filtre à eau

⚠ ATTENTION

Dans les localités où la qualité de l'eau est douteuse ou insuffisamment connue, n'utilisez pas l'appareil sans avoir intercalé un moyen de désinfection approprié en amont et en aval du dispositif de filtrage.

Vous pouvez, via le service après-vente, vous procurer une cartouche pour le filtre à particules.

Il faudrait changer cette cartouche au plus tard au bout de six mois.

Au bout de 6 mois, le symbole du filtre à eau clignote pour vous inviter à changer la cartouche filtrante. (Voir le chapitre « Symbole du filtre à eau »).

Autres exigences relatives au raccordement

N'installez pas la cartouche filtrante si la pression de l'eau dépasse 120 psi (8,2 bar).

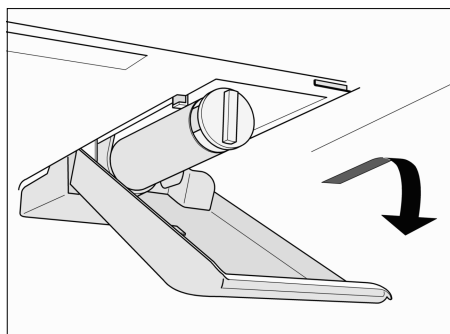
Si la pression de l'eau dépasse 80 psi (5,5 bar), il faut installer un réducteur de pression.

Consignes importantes

- Si l'appareil est resté assez longtemps sans servir ou si l'eau a un goût ou une odeur désagréable, rincez bien le circuit d'eau. Pour ce faire, prélevez de l'eau pendant plusieurs minutes au distributeur d'eau. Si le goût ou l'odeur désagréable persistent, changez la cartouche filtrante.
- Le distributeur de glaçons et d'eau peut s'utiliser sans cartouche filtrante. Dans ce cas, remplacez la cartouche filtrante par le capuchon de dérivation.

Installation et changement de la cartouche filtrante

1. Tirez le couvercle, puis abaissez-le.

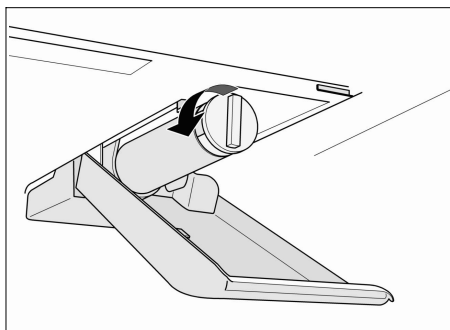


REMARQUE

Prudence lorsque vous enlevez la cartouche filtrante !

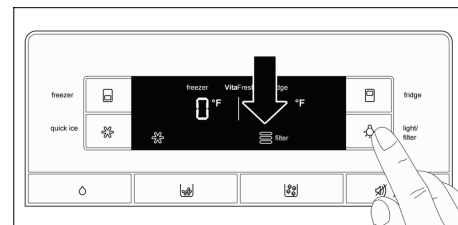
Après utilisation, le circuit d'eau se trouve légèrement sous pression.

2. Faites tourner doucement le filtre ou le capuchon de dérivation 90° dans le sens antihoraire, puis retirez-le.



3. Sortez la nouvelle cartouche filtrante de l'emballage.
4. Mettez la cartouche filtrante neuve en place et faites-la tourner doucement 90° dans le sens horaire jusqu'à ce qu'elle encoche.
5. Soulevez le couvercle et fermez-le.
6. Ouvrez l'arrivée d'eau à l'appareil.
7. Soutirez quelques litres d'eau par le biais du distributeur d'eau. Cette précaution chasse l'air du circuit d'eau.

8. Videz l'eau encore présente dans l'ancienne cartouche filtrante. Vous pouvez ensuite la mettre à la poubelle des déchets domestiques.
9. Maintenez enfoncée la touche « light/filter » pendant 3 secondes. L'indicateur d'utilisation du filtre compteur du filtre se réinitialise. Le symbole arrête de clignoter. La nouvelle cartouche filtrante est activée.



Fiche de spécifications et de performances

Modèle de filtre : 9000 077 095 and 9000 077 096

avec utilisation de la cartouche de rechange 9000 077 104

Ce modèle a été testé par NSF International en conformité avec les standards ANSI/NSF 42 & 53, et certifié capable de réduire les teneurs en substances énoncées ci-après.

La concentration des substances indiquées, dissoutes dans l'eau, qui pénètrent dans le système a été ramenée à une valeur inférieure ou égale à la valeur limite admissible selon NSF/ANSI 42 et 53 applicable à l'eau déviée hors de l'appareil.

Remarque :

Bien que les tests aient été réalisés dans des conditions de laboratoire standardisées, les performances réelles peuvent différer de ceux-ci.



Le système a été testé et certifié dans le modèle 9000 077 095 de NSF International, par rapport au standard ANSI/NSF 53 visant à réduire les kystes et turbidités, ainsi que par rapport au standard ANSI/NSF 42 visant à réduire le goût et l'odeur de chlore.

Classe particulaire nominale : I

Durée utile nominale : 739,68 gallons (2 800 litres)

Substance	Flux entrant en moyenne	Concentration d'essai prévue par NSF	Réduction moyenne en %	Concentration moyenne dans l'eau sortante	Concentration max. admissible dans l'eau sortante	Exigences de réduction NSF	Rapport d'essai NSF
Kystes *	122 500 kystes/l	50 000 kystes/l au minimum	99,99	< 1 kyste/l	s.o.	≥ 99,95 %	J-00056513
Turbidité	10,8 unités NTU	11 ± 1 NTU	98,8	< 0,16 NTU	0,5 NTU	95,5 %	J-00058972
Classe particulaire nominale I ≥ 0,5 à < 1 µm	13 666 666 particules/ml	Au moins 10 000 particules/ml	99,00	143 333 particules/ml	s.o.	≥ 85 %	J-00056506
Goût et odeur de chlore	2,0 mg/l	2,0 mg/l ± 10 %	97,5	< 0,05 mg/l	s.o.	≥ 50 %	J-00056501

* Basé sur l'utilisation d'ookystes de *Cryptosporidium parvum*.

Directives d'application / Paramètres d'alimentation en eau :

Pression de l'eau	30 - 120 psi (207 - 827 kPa)
Température de l'eau	33 °F - 100 °F (0,6 °C - 38 °C)
Vitesse d'écoulement	0,75 gpm (2,83 l/min.)

- Le système devra être installé et exploité conformément aux directives recommandées par le fabricant.
- Il faut changer le filtre tous les 6 mois.
- Rincer le filtre neuf pendant 5 minutes.
- Consultez la carte de garantie pour de plus amples détails.

DO Il ne FAUDRAIT PAS utiliser ce produit lorsque l'eau est microbiologiquement nocive ou d'une qualité inconnue, sans désinfection avant et après raccordement au système. Un système certifié capable de réduire la teneur en kystes ne doit être affecté qu'à de l'eau désinfectée, c'est-à-dire de l'eau contenant selon les circonstances des kystes filtrables.

L'ensemble du système bénéficie d'une garantie d'un an (sauf la cartouche à usage unique). La garantie des cartouches à usage unique ne porte que sur les vices de matière et de fabrication. La durée d'exploitation des cartouches filtrantes à usage unique dépend de la qualité locale de l'eau, de sorte qu'il est impossible de garantir une durée d'exploitation précise.

Le vendeur auprès duquel vous avez acheté l'appareil ou votre fournisseur de pièces représentant sur place vous fourniront de plus amples détails concernant les prix des pièces de rechange.

Fabriqué par :

Cuno Engineered Products
1000 Apollo Road
Eagan, MN 55121-2240 U.S.A.

Conseils pour économiser l'énergie

- Placez votre appareil dans un endroit sec et bien aéré. Veillez à ce qu'il ne soit pas exposé aux rayons solaires et qu'il ne se trouve pas à proximité d'une source de chaleur (radiateur etc.). Utilisez le cas échéant une plaque isolante.
- Attendez que les boissons et aliments chauds aient refroidi à la température de la pièce avant de les ranger dans l'appareil.
- Lorsque vous décongelez des aliments, vous pouvez utiliser le froid qu'ils ont emmagasiné pour refroidir les aliments stockés dans le réfrigérateur. Vous profitez ainsi de leur excédent de froid pour refroidir les aliments déjà présents dans ce compartiment.
- N'ouvrez la porte de l'appareil que le plus brièvement possible.

Bruits de fonctionnement

Bruits parfaitement normaux

Bourdonnements étouffés : Ces bruits normaux se font entendre pendant que le compresseur est en marche. Le ventilateur du système de circulation d'air fonctionne.

Gargouillis, murmures ou clapotis légers : Le fluide frigorigène circule dans les tubulures. Eau en train d'affluer dans le distributeur de glaçons.

Cliquetis : Le moteur se met en marche ou s'arrête. L'électrovanne située sur le raccordement de l'eau s'ouvre ou se ferme.

Bruit de chute : Les glaçons finis de se solidifier chutent du distributeur dans le bac.

Résolution de problèmes de bruit simples

L'appareil ne repose pas d'aplomb

Vérifiez l'horizontalité de l'appareil à l'aide d'un niveau à bulle. Ajustez ensuite l'horizontalité par les pieds à vis ou placez un objet dessous.

L'appareil touche quelque chose

Éloignez l'appareil de meubles ou d'appareils voisins.

Des tiroirs, paniers ou surfaces de rangement vibrent ou se coincent

Vérifiez les pièces amovibles puis remettez-les en place correctement.

Des récipients se touchent

Éloignez légèrement les bouteilles ou récipients les uns des autres.

Dégivrage

Compartiment congélateur

Grâce au système Nofrost entièrement automatique, le compartiment congélateur ne se couvre pas de givre. La nécessité de dégivrer disparaît.

Compartiment réfrigérateur

Le dégivrage a lieu automatiquement. L'eau de condensation sort par l'orifice d'écoulement puis gagne le bac d'évaporation au dos de l'appareil.

Arrêt et débranchement de l'appareil

Arrêt de l'appareil

Débranchez la fiche mâle du secteur ou ramenez le disjoncteur en position éteinte.

Débranchement de l'appareil

Si l'appareil doit rester longtemps sans servir :

- Coupez impérativement l'arrivée d'eau à l'appareil quelques heures avant de l'éteindre.
- Sortez tous les produits alimentaires de l'appareil.
- Débranchez la fiche mâle de la prise de courant.
- Enlevez la cartouche filtrante et mettez-le à la poubelle des déchets domestiques.
- Videz le bac à glaçons et nettoyez-le.
- Nettoyez l'intérieur de l'appareil (voir le chapitre « Nettoyage de l'appareil »).

Pour éviter l'apparition de mauvaises odeurs, laissez les portes ouvertes.

Nettoyage

AVERTISSEMENT

Risque de choc électrique !
Débranchez ou coupez le fusible/disjoncteur avant de nettoyer l'appareil.

ATTENTION

Pour éviter des blessures corporelles ou des dégâts matériels, veuillez respecter les instructions suivantes :

Ne nettoyez jamais l'appareil avec un nettoyeur à vapeur.

N'employez pas de produits de nettoyage ou solvants contenant du sable ou des acides ; ils pourraient endommager les surfaces de l'appareil.

N'essuyez les éclairages et le panneau de commande et d'affichage qu'avec un chiffon humide. Veillez bien à ce que l'eau de nettoyage ne puisse pas pénétrer dans l'éclairage ou sous le panneau de commande.

Veillez bien à ce que l'eau de nettoyage ne coule pas dans l'orifice d'écoulement du bac d'évaporation.

Ne nettoyez jamais les clayettes et les bacs au lave-vaisselle. Ces pièces pourraient se déformer.

Nettoyage de l'appareil

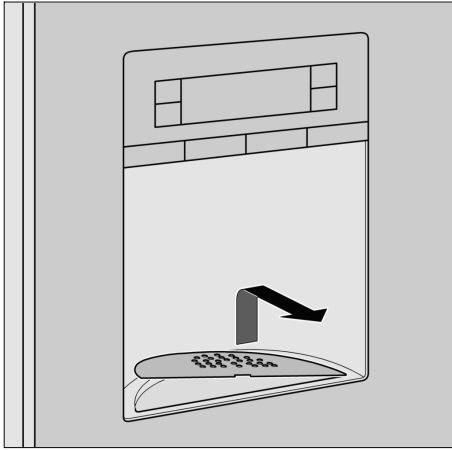
Les compartiments Vita Fresh et le tiroir pour aliments fins peuvent être retirés pour le nettoyage.

- Débranchez la fiche mâle du secteur ou ramenez le disjoncteur en position éteinte.
- Sortez tous les produits alimentaires de l'appareil et déposez-les dans un endroit frais.
- Nettoyez l'appareil avec un chiffon doux, en utilisant de l'eau tiède additionnée d'un peu de produit à vaisselle à pH équilibré.
- Ensuite, séchez-le en frottant avec un essuie-tout sec.
- N'essuyez le joint de porte qu'avec un chiffon et de l'eau propre ; ensuite, séchez-le à fond en frottant avec un essuie-tout sec.
- Après le nettoyage, rebranchez la fiche mâle de l'appareil puis réenclenchez-le.

Nettoyage du bac récupérateur d'eau

L'eau renversée afflue dans le bac de récupération.

Pour le vider et le nettoyer, retirez le crible. Essuyez le bac récupérateur d'eau avec une éponge ou un essuie-tout absorbant.



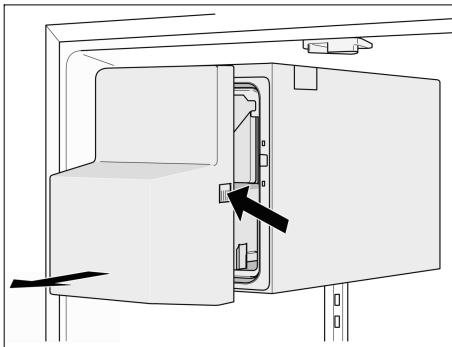
Nettoyage du bac à glaçons

Si vous n'avez pas prélevé de glaçons pendant une période prolongée, ceux déjà confectionnés rapetissent, perdent leur fraîcheur et collent entre eux.

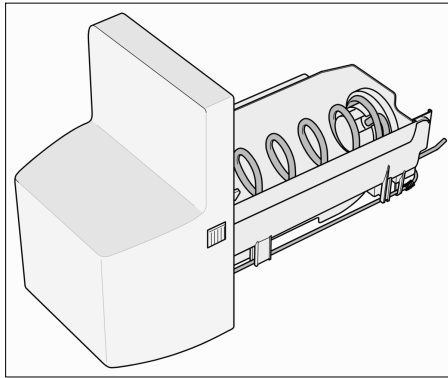
ATTENTION

Risque de blessures !
Un bac rempli de glaçons est lourd. Faites attention lorsque vous enlevez le bac à glaçons.

1. Appuyez sur le bouton de retrait et retirez le bac à glaçons.



2. Videz le bac à glaçons et nettoyez-le en utilisant de l'eau tiède.



3. Essuyez bien le bac et la vis transporteuse sans fin avec un essuie-tout sec pour que les nouveaux glaçons ne viennent pas coller contre la surface mouillée.

Mise en place du bac à glaçons

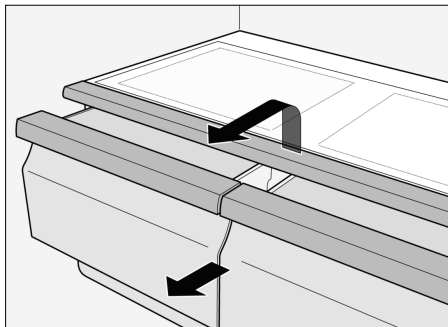
4. Poussez le bac à glaçons complètement à l'arrière sur les surfaces d'appui, jusqu'à ce qu'il encoche.

REMARQUE

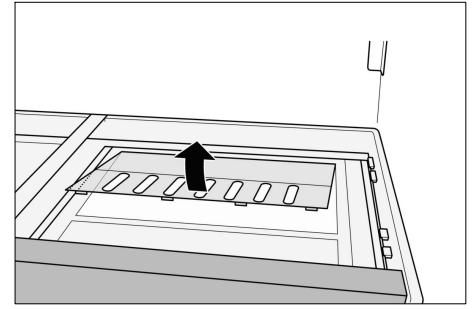
Si le bac ne se laisse pas déplacer complètement jusqu'en arrière, tournez un peu la vis transporteuse dans le bac et retirez les glaçons soudés dans la zone d'introduction.

Extraction du filtre d'humidité spécial

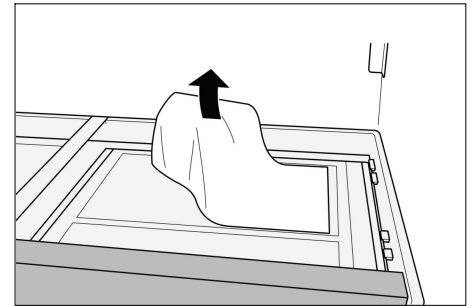
1. Sortez les tiroirs Vita Fresh d'environ 4 po (10 cm).
2. Rabattez la tablette en verre au-dessus des tiroirs Vita Fresh et retirez ces derniers.



3. Passez la main entre les ouvertures du couvercle, dégagez délicatement les 4 encoches avant et retirez le couvercle.



4. Retirez le filtre d'humidité spécial.



5. Nettoyez le filtre d'humidité avec de l'eau tiède et faites-le sécher.
6. Remettez le filtre d'humidité spécial en place.
7. Remettez la partie arrière du couvercle en place, abaissez le couvercle et assurez-vous que sa partie avant s'engage correctement.
8. Remettez la tablette de verre en place et fermez les tiroirs Vita Fresh.

Éclairage (DEL)

Votre appareil est équipé d'un éclairage par DEL ne demandant pas d'entretien.

ATTENTION

Risque de lésions oculaires du rayonnement laser de classe 1 M (norme IEC 60825) !

N'observez jamais le rayonnement des instruments optiques.

Les réparations de tels éclairages sont exclusivement réservées au service après-vente ou à des spécialistes autorisés.

Diagnostic et résolution de problèmes mineurs

Avant d'appeler le service après-vente (SAV) :

- Veuillez vérifier si vous ne pouvez pas remédier vous-même au problème à l'aide des instructions qui suivent.

Vous éviterez des dépenses inutiles car le déplacement du technicien du SAV vous sera facturé même pendant la période de garantie.

Compartiment du réfrigérateur et compartiment du congélateur

Problème	Cause possible	Mesure corrective	
Rien ne s'affiche à l'écran, l'éclairage intérieur ne fonctionne pas, l'appareil ne fonctionne pas.	Fiche mâle non branchée sur la prise murale.	Branchez le cordon d'alimentation sur la prise de courant.	
	Fusible grillé ou disjoncteur déclenché.	Remplacez le fusible ou remettez le disjoncteur en fonction. Vérifiez que la prise murale est alimentée.	
	Panne d'électricité	Attendez le rétablissement de l'électricité. Contactez au besoin un électricien ou la compagnie d'électricité.	
L'éclairage intérieur ne fonctionne pas.	L'interrupteur du compartiment congélateur ou réfrigérateur se coince.	Vérifiez le mouvement de l'interrupteur.	
	Éclairage par DEL défectueux.	Voir le chapitre « Éclairage (DEL) ».	
La température des aliments est trop froide.	La température est réglée sur une valeur trop basse.	Réglez la commande de température sur un réglage moins froid.	
La température des aliments n'est pas assez froide.	Une porte ne ferme pas correctement.	Vérifiez que l'appareil repose d'aplomb à l'aide d'un niveau à bulle. Voir le chapitre « Mise à niveau de l'appareil ». Vérifiez la position des tiroirs et remettez-les en place correctement, le cas échéant. Vérifiez les joints des portes et le minibar escamotable de la porte ; nettoyez-le ou remettez-le en place correctement, le cas échéant.	
	La température est réglée sur une valeur trop élevée.	Réglez la commande de température sur un réglage plus froid.	
	Un ou des orifices d'apport et d'évacuation d'air sont recouverts.	Déplacez tout produit alimentaire qui obstrue un orifices de sortie d'air.	
	Les portes ont été ouvertes trop fréquemment ou sont restées ouvertes trop longtemps.	Attendez à ce que la température diminue à l'intérieur de l'appareil.	
	Beaucoup de produits alimentaires frais ont été mis d'un coup dans le réfrigérateur.	Les produits alimentaires doivent atteindre la température de stockage appropriée.	
	Une odeur désagréable échappe de l'appareil.	Des aliments à odeur forte ont été mis dans le réfrigérateur.	Emballez ces aliments ou mettez-les dans un emballage hermétiquement clos.
		L'intérieur a besoin d'être nettoyé.	Nettoyez l'intérieur.
De l'eau se condense contre l'extérieur de l'appareil.	Une porte ne ferme pas correctement.	Vérifiez que l'appareil repose d'aplomb à l'aide d'un niveau à bulle. Voir le chapitre « Mise à niveau de l'appareil ». Vérifiez la position des tiroirs puis remettez-les en place correctement, le cas échéant. Vérifiez les joints des portes et le minibar escamotable de la porte ; nettoyez-le ou remettez-le en place correctement, le cas échéant.	
	L'environnement de l'appareil est trop humide.	Ceci pourrait être normal, selon la région.	

Problème	Cause possible	Mesure corrective
De l'eau se condense à l'intérieur de l'appareil.	L'environnement de l'appareil est trop humide ou les portes sont ouvertes trop fréquemment.	N'ouvrez pas les portes aussi fréquemment ou ne les gardez pas ouvertes trop longtemps.
	Les joints des portes n'assurent pas l'étanchéité.	Vérifiez les joints des portes et le minibar escamotable de la porte ; nettoyez-le ou remettez-le en place correctement, le cas échéant.
Un tiroir se ferme difficilement.	Le tiroir n'est pas installé correctement.	Installez le tiroir correctement.
	Les supports du tiroir ont besoin d'être nettoyés.	Nettoyez les supports du tiroir.

Distributeur de glaçons et d'eau

Problème	Cause possible	Mesure corrective
Le symbole du filtre à eau clignote.	La cartouche filtrant a besoin d'être changée.	Changez la cartouche filtrante.
	L'indicateur d'utilisation du filtre n'a pas été réinitialisé lors d'un changement de filtre.	Réinitialisez l'indicateur de l'utilisation du filtre.
Le distributeur de glaçons ne produit pas assez de glaçon ou ceux-ci sont déformés.	L'appareil ou le distributeur de glaçons vient d'être mis en service.	Après la mise en service de l'appareil, il faut environ 24 heures pour que les premiers glaçons soient prêts.
	Une grande quantité de glaçons a été prélevée.	Il faut environ 24 heures pour que le bac à glaçons soit à nouveau plein.
	La pression de l'eau est trop basse.	Faites vérifier la pression de l'eau.
	La cartouche filtrante est bouchée ou a besoin d'être changée.	Changez la cartouche filtrante.
La machine à faire les glaçons ne fabrique pas suffisamment de glaçons ou ne fonctionne pas du tout.	Un glaçon est coincé sur le bras de détection du niveau de glaçons dans le bac à glaçons.	Retirer le bac à glaçons et dégager les glaçons coincés à l'aide d'un outil contondant en plastique. Ne pas utiliser d'objet pointu ou tranchant au risque d'endommager l'appareil.
	Lorsque l'on passe de l'option glaçons à l'option glace pilée, un glaçon peut rester coincé à l'intérieur de l'ouverture du distributeur. Ce glaçon commencera à se fondre et de l'eau tombera goutte à goutte dans le distributeur de glace et d'eau.	Dégager le glaçon de l'ouverture du distributeur à l'aide d'un outil contondant en plastique. Ne pas utiliser d'objet pointu ou tranchant au risque d'endommager l'appareil.
	Une couche de glace recouvre le transporteur à vis.	Retirer et nettoyer le bac à glaçons.
Le bac à glaçons contient des glaçons qui ne sont pas éjectés.	Les glaçons adhèrent les uns aux autres.	Retirer et nettoyer le bac à glaçons.
Le distributeur de glaçons ne produit pas de glaçons.	Le distributeur de glaçons est éteint.	Allumez distributeur de glaçons.
	L'appareil n'est pas alimenté en eau.	Faites vérifier le raccordement de l'eau par un technicien agréé.
	La conduite d'eau s'est entortillée.	Fermez l'arrivée d'eau à l'appareil. Détortillez la conduite d'eau. Faites remplacer toute conduite endommagée par des pièces d'origine du fabricant.
	La pression de l'eau est trop basse.	Faites vérifier la pression de l'eau.
	Le bac à glaçons n'est pas installé correctement.	Installez correctement le bac à glaçons.
	L'alimentation en eau n'est pas raccordée correctement.	Si l'alimentation en eau n'est pas raccordée correctement, la pression de l'eau pourrait être trop basse, ce qui peut endommager l'appareil.

Problème	Cause possible	Mesure corrective
Il n'y a pas d'eau ou presque pas à sortir du distributeur d'eau.	La cartouche filtrante est bouchée ou a besoin d'être changée.	Changez la cartouche filtrante.
	La pression de l'eau est trop basse.	Faites vérifier la pression de l'eau.
	La vanne de fermeture n'est pas complètement ouverte.	Ajuster la vanne de fermeture pour qu'elle soit complètement ouverte.
	La conduite d'eau s'est entortillée.	Fermez l'arrivée d'eau à l'appareil. Détortillez la conduite d'eau. Faites remplacer toute conduite endommagée par des pièces d'origine du fabricant.
La température de l'eau prélevée n'est pas assez froide.	L'appareil vient d'être installé.	Il faut environ 12 heures pour que l'eau refroidisse.
	L'eau est restée dans les conduites pendant une période prolongée et s'est adaptée à la température ambiante.	Prélevez de l'eau et jetez le contenu des 15 premiers verres.
L'eau est trouble.	Il y a de l'air ou des bulles dans l'eau.	Ceci est normal lorsque l'on utilise le distributeur d'eau pour la première fois. L'eau s'éclaircit après un court laps de temps.
Il y a des particules en suspension dans l'air ou dans les glaçons.	Lorsque l'eau passe à travers la cartouche filtrante pour la première fois, il se peut qu'elle contienne de la poussière de charbon issue de la cartouche filtrante.	Ces particules en suspension ne sont pas nocives ! Ces particules disparaîtront après un court laps de temps.
	Les particules en suspension se forment à partir de dépôts minéraux lorsque l'eau gèle et puis dégèle.	Ces particules en suspension ne sont pas nocives ! Ces particules sont présentes naturellement dans les sources d'approvisionnement en eau.

Service après-vente

Avant d'appeler le service après-vente (SAV) :

Veillez vérifier si vous ne pouvez pas remédier vous-même au problème à l'aide des instructions fournies dans le chapitre « Diagnostic et résolution de problèmes mineurs ».

Si ces informations s'avèrent insuffisantes pour résoudre le problème, une assistance supplémentaire est disponible auprès du service après-vente de Bosch.

Aux États-Unis :
Contactez le Bosch Customer Interaction Center en appelant le 1-800-944-2904 (numéro gratuit).

Au Canada :
Contactez votre société de service agréée par Bosch ou appelez le 1-800-944-2904.

Veillez noter séparément les informations suivantes concernant votre appareil pour référence ultérieure. Elles vous faciliteront l'obtention d'aide ou la demande d'une intervention du service après-vente si cela devait être nécessaire.

Nom du revendeur

Adresse

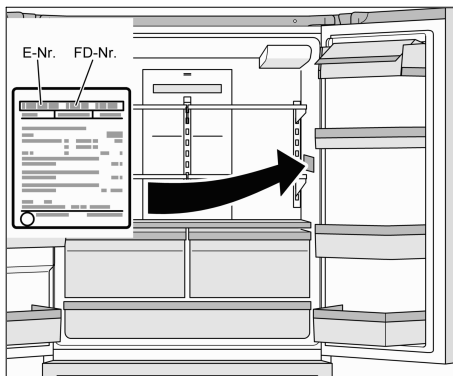
Numéro de téléphone

Date d'achat

Numéro de modèle (Numéro E)

Numéro de série (Numéro FD)

Veillez indiquer au technicien le numéro complet du modèle de l'appareil (numéro E) et le numéro de série complet (numéro FD).



Vous trouverez ces informations sur la plaque signalétique située contre l'intérieur du compartiment réfrigérateur à droite.

es Índice

INSTRUCCIONES DE SEGURIDAD IMPORTANTES	56
Felicidades	57
Información acerca de la eliminación	57
Instalación	58
Instalación y conexión del electrodoméstico	59
Dimensiones del electrodoméstico e instalación	63
Conozca su electrodoméstico	64
Panel de control y de la pantalla	65
Consejos de operación	66
Encendido del electrodoméstico	66
Programación de la temperatura	66
Función de alarma	66
Bloqueo de panel	67
Superfrío	67
Supercongelado	67
Hielo rápido	67
Símbolo de filtro de agua	67
Unidad de temperatura	68
Compartimiento del refrigerador	68
Compartimiento Vita Fresh	68
Cajón para fiambres	69
Diseño interior variable	69
Compartimiento del congelador	70
Cómo congelar alimentos	70
Cómo comprar y almacenar alimentos congelados	70
Cómo descongelar alimentos congelados	70
Características del compartimiento del congelador	71
Dispensador de hielo y agua	71
Filtro de agua	73
Hoja de datos de especificaciones y rendimiento	74
Consejos para ahorro de energía	75
Ruidos durante la operación	75
Descongelamiento	75
Apagado y desconexión del electrodoméstico	75
Limpieza	75
Luz LED	76
Resolución de problemas menores	77
Servicio a clientes	80

INSTRUCCIONES DE SEGURIDAD IMPORTANTES

¡LEA Y CONSERVE ESTAS INSTRUCCIONES!

Antes de operar el electrodoméstico

¡Lea atentamente las instrucciones de operación e instalación! Contienen información importante acerca de cómo instalar, usar y mantener el electrodoméstico. Conserve toda la documentación para su uso posterior o para el próximo propietario.

Seguridad técnica

Únicamente los técnicos de servicio a clientes pueden cambiar el cable de alimentación y llevar a cabo cualquier otra reparación. Las instalaciones y las reparaciones incorrectas pueden poner al usuario en situaciones de riesgo considerable.

Información importante al usar el electrodoméstico

- Nunca use dispositivos eléctricos dentro del electrodoméstico (tales como calentadores, máquinas de hielo eléctricas, etcétera). **¡Riesgo de explosión!**
- Nunca use un limpiador por chorro de vapor para descongelar o limpiar el electrodoméstico. El vapor puede penetrar en las piezas eléctricas y provocar un corto circuito o una descarga eléctrica.
- Antes de limpiar, desenchufe el electrodoméstico o desconecte el fusible. No tire del cable para desenchufar el electrodoméstico.
- No almacene en el electrodoméstico productos que contengan propelentes inflamables (tales como latas de aerosol) o sustancias explosivas. **¡Riesgo de explosión!**
- Las botellas que contienen un alto porcentaje de alcohol deben estar selladas y almacenarse en posición vertical.
- No almacene líquidos embotellados ni enlatados (especialmente bebidas carbonatadas) en el compartimiento del congelador. ¡Las botellas y las latas pueden explotar!

- No se pare ni se apoye sobre la base, los cajones ni las puertas, ni sobre otras piezas del electrodoméstico. Podría dañarlo.
- Mantenga las piezas de plástico y los sellos de la puerta sin aceite ni grasa. De lo contrario, las piezas de plástico y el sello de la puerta se volverán porosos.
- Nunca cubra ni obstruya las aberturas de ventilación del electrodoméstico. Esto hace que el refrigerador deba trabajar más y provoca un aumento del consumo de energía.
- Las personas que tengan limitaciones físicas, sensoriales o mentales, o que tengan conocimientos limitados acerca del electrodoméstico deben ser supervisadas o deben recibir instrucciones más detalladas antes de usar el electrodoméstico.
- No se lleve a la boca paletas de helado ni cubos de hielo sacados directamente del compartimiento del congelador. **¡Riesgo de quemaduras de baja temperatura!**
- No toque superficies congeladas ni alimentos que se encuentren en el congelador con las manos mojadas. La piel puede adherirse a estas superficies sumamente frías. **¡Riesgo de lesiones!**
- No raspe la escarcha ni ningún alimento congelado atascado con un cuchillo ni con un objeto punzante. Podría dañar el electrodoméstico.

Niños en el hogar

- ¡No deje que los niños jueguen con el electrodoméstico!
- Si el electrodoméstico tiene una traba, mantenga la llave fuera del alcance de los niños.

Requisitos generales

El electrodoméstico es apto para

- refrigerar alimentos
- congelar alimentos
- hacer hielo
- dispensar agua potable.

Este electrodoméstico ha sido diseñado para uso doméstico únicamente.

El electrodoméstico está protegido contra interferencias y picos de voltaje.

El circuito del refrigerante ha sido probado para detectar fugas.

Definiciones

ADVERTENCIA

Este símbolo indica que se pueden producir lesiones graves o la muerte como resultado de no cumplir con esta advertencia.

ATENCIÓN

Este símbolo indica que se pueden producir lesiones de leves a moderadas como resultado de no cumplir con esta advertencia.

NOTA

Este símbolo indica que se pueden producir daños como resultado de no cumplir con esta advertencia.

Felicidades

Al comprar este nuevo refrigerador-congelador, usted ha elegido un electrodoméstico moderno y de alta calidad.

Este refrigerador-congelador se distingue por su consumo de energía económico.

Cada electrodoméstico que sale de nuestra fábrica es inspeccionado en profundidad para asegurar que funcione correctamente y que se encuentre en perfectas condiciones.

Si tiene alguna pregunta, en especial en cuanto a la instalación y conexión del electrodoméstico, no dude en comunicarse con nuestro servicio a clientes.

Puede visitar nuestro sitio de Internet para obtener más información y ver nuestra gama de productos.

Información acerca de la eliminación

Eliminación del embalaje

El embalaje protege el electrodoméstico contra los daños ocasionados durante el traslado. Todos los materiales de embalaje son ecológicos y reciclables.

Ayude a lograr un mejor medioambiente eliminando los materiales de embalaje de manera ecológica.

Comuníquese con su distribuidor local o autoridad local a fin de conocer las opciones de eliminación vigentes.



ADVERTENCIA

¡Riesgo de asfixia con las cajas de cartón y la película de plástico!

Mantenga el embalaje y los componentes del embalaje alejados de los niños.

Eliminación de su electrodoméstico viejo

¡Los electrodomésticos viejos no son basura sin valor alguno! Es posible recuperar valiosas materias primas reciclando electrodomésticos viejos.



ADVERTENCIA

¡Riesgo de que los niños queden atrapados!

Los niños pueden quedarse encerrados dentro del electrodoméstico.

Antes de eliminar el refrigerador viejo:

Retire las puertas y le cajón inferior del congelador.

Deje los estantes y los cajones en su lugar de modo que los niños no puedan meterse adentro con facilidad.

Electrodomésticos en desuso:

1. Desconecte el enchufe de alimentación.
2. Corte el cable de alimentación y elimine el cable junto con el enchufe de alimentación.

Los refrigeradores contienen refrigerantes y su aislamiento contiene gases. El refrigerante y los gases deben eliminarse correctamente.

Antes de hacerlo, asegúrese de que los tubos del circuito del refrigerante no estén dañados.

Instalación

Transporte e instalación

El electrodoméstico es pesado y debe asegurarse durante el transporte y la instalación.

⚠ ADVERTENCIA

¡Riesgo de lesiones!

El electrodoméstico es muy pesado. Puede caerse y provocar lesiones graves durante el transporte y la instalación. Se requieren, al menos, dos personas para instalar el electrodoméstico de manera segura. Mantenga las puertas del refrigerador cerradas hasta que el electrodoméstico quede en posición vertical y nivelado con respecto al lugar de instalación.

Lugar de instalación

⚠ ADVERTENCIA

¡Riesgo de explosión!

No instale el electrodoméstico cerca de sustancias explosivas o inflamables.

NOTA

No instale el electrodoméstico en exteriores.

El lugar de instalación debe estar seco y no debe estar expuesto a escarcha.

El lugar ideal de instalación es una habitación seca, bien ventilada. El lugar de instalación no debe estar expuesto a la luz solar directa ni debe estar cerca de una fuente de calor, como una estufa, un radiador, etc. Si no se puede evitar realizar la instalación junto a una fuente de calor, use una placa aislante adecuada o cumpla con las siguientes distancias mínimas medidas desde la fuente de calor:

- 1 1/4" (3 cm) de estufas eléctricas o de gas.
- 11 3/16" (30 cm) de estufas de aceite o de combustible sólido.

Si el refrigerador se instala al lado de otro refrigerador/congelador, debe haber un espacio libre mínimo de 1" (25 mm) entre los electrodomésticos para impedir la condensación.

Si se instala un panel o un armario arriba del electrodoméstico, asegúrese de dejar una separación de 13/32" (10 mm) para que se pueda sacar el electrodoméstico del hueco, en caso de que sea necesario.

Se debe permitir que el aire caliente de la parte trasera del electrodoméstico salga sin obstáculos.

Para asegurar que las puertas puedan abrirse completamente, mantenga los espacios libres laterales mínimos al instalar el electrodoméstico en una esquina o en un hueco (ver la sección "Dimensiones del electrodoméstico e instalación").

Si la profundidad de los equipos adyacentes de la cocina excede 29 1/8" (75 cm), mantenga los espacios libres laterales mínimos a fin de utilizar el ángulo de apertura de la puerta completo (ver la sección "Ángulo de apertura de la puerta").

Subsuperficie

NOTA

El electrodoméstico es muy pesado.

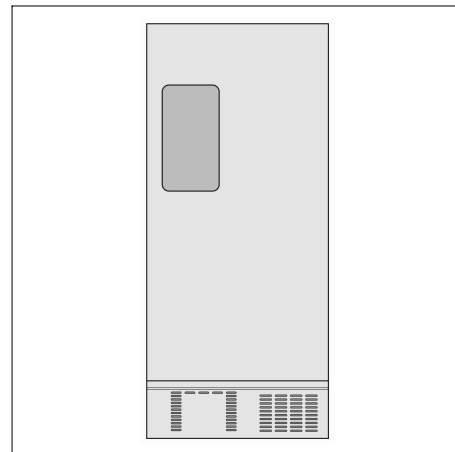
El piso sobre el que se instalará el electrodoméstico debe ser rígido. Si es necesario, refuerce el piso.

Peso del electrodoméstico cuando está vacío:

Modelo básico 324 lb (147 kg)

Ventilación

Nunca cubra las aberturas de ventilación del panel de la base delantera ni de la placa de la cubierta trasera.



Esto hace que el electrodoméstico deba trabajar más y provoca un aumento del consumo de energía.

Instalación y conexión del electrodoméstico

- Haga que un técnico instale y conecte el electrodoméstico según las instrucciones de instalación de este manual.
- Después de instalar el electrodoméstico, espere al menos 8 horas antes de enchufarlo. El aceite que se encuentra en el compresor puede haber ingresado en el sistema de refrigeración durante el traslado.
- Limpie el interior del electrodoméstico antes de operarlo por primera vez (ver "Limpieza del electrodoméstico").
- Siempre conecte el agua antes que la alimentación eléctrica.
- Además de cumplir con las reglamentaciones legales nacionales, se deben cumplir los requisitos de conexión de las compañías de servicios públicos de electricidad y agua locales.
- No retire los dispositivos de protección para transporte de los estantes y los compartimientos de almacenamiento hasta después de que el electrodoméstico haya sido instalado.
- Únicamente un técnico de servicio a clientes debe retirar las puertas del electrodoméstico si es necesario para pasar el electrodoméstico por las puertas del hogar.

Conexión de agua



ADVERTENCIA

¡Riesgo de descarga eléctrica y daños al electrodoméstico!

Desconecte el electrodoméstico de la fuente de alimentación eléctrica antes de realizar cualquier trabajo en la conexión de agua.

Únicamente un técnico calificado para realizar la instalación puede conectar el electrodoméstico al suministro de agua, de conformidad con las reglamentaciones sobre plomería y las de la compañía de servicios públicos de agua correspondiente.

Conecte el electrodoméstico a la línea de agua:

- Presión mínima: 14.5 psi (1.0 bar)
- Presión máxima: 119 psi (8.2 bar)

Si la presión del agua excede 119 psi (8.2 bar), se debe instalar una válvula de reducción de presión. La máquina de hielo no funcionará si la presión del agua es inferior a 14.5 psi (1.0 bar).

Instale una válvula de paso por separado para la línea de agua.

No instale la válvula de paso detrás del electrodoméstico. La válvula de paso debe colocarse directamente al lado del electrodoméstico o en otro lugar de fácil acceso.

El gusto y el olor del agua puede mejorarse instalando un cartucho filtrante que se incluye con el electrodoméstico. En este caso, respete los requisitos de conexión por separado relacionados con el filtro (ver "Filtro de agua").

La manguera de agua tiene una conexión de 3/4 pulgada.

Conexión eléctrica



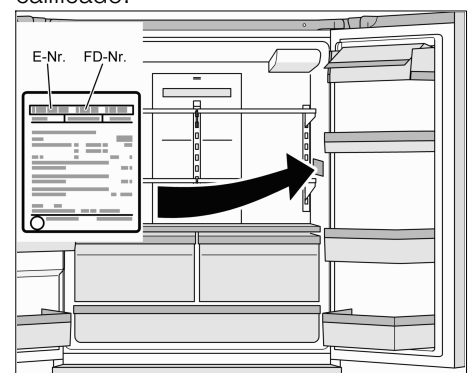
ADVERTENCIA

¡Riesgo de descarga eléctrica e incendio si la conexión eléctrica no está instalada correctamente! Enchufe el electrodoméstico únicamente en una toma de corriente fija, de tres espigas, conectada a tierra. La toma de corriente debe ser instalada y conectada a tierra por un electricista calificado, de conformidad con los códigos correspondientes. Si es necesario, haga que un electricista calificado inspeccione la instalación para asegurarse de que esté conectada a tierra correctamente. No use un cable de extensión ni un múltiple. Nunca conecte el electrodoméstico a un enchufe electrónico para ahorro energético (como Ecoboy, Sava Plug, etc.) ni a inversores de corriente, que convierten la corriente continua (CC) a corriente alterna (CA) (como para equipos solares, fuentes de alimentación eléctrica en embarcaciones, etcétera).

La toma de corriente del electrodoméstico debe ser de fácil acceso y no debe estar ubicada detrás del electrodoméstico.

Conecte el electrodoméstico a una toma de corriente de CA de 115 V/60 Hz instalada correctamente. El fusible de la toma de corriente debe tener una capacidad nominal de entre 15 A o 20 A.

Si el electrodoméstico se utilizará en otro país que no sea EE. UU., verifique la placa de valores nominales para determinar si el voltaje y el tipo de corriente especificados corresponden a las capacidades nominales de su fuente de alimentación eléctrica. Si el voltaje y el tipo de corriente no coinciden, el electrodoméstico no debe operarse. El cable de alimentación puede ser reemplazado únicamente por un electricista calificado.



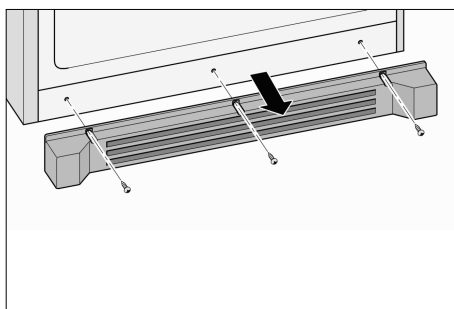
Alineación del electrodoméstico

NOTA

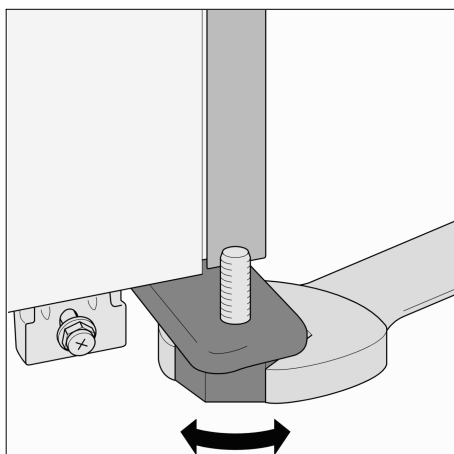
Para asegurarse de que el electrodoméstico opere correctamente, use un nivel para alinear el electrodoméstico.

Si el electrodoméstico no está nivelado, es posible que salga agua de la máquina de hielo, que los cubos de hielo sean irregulares o que las puertas no cierren correctamente.

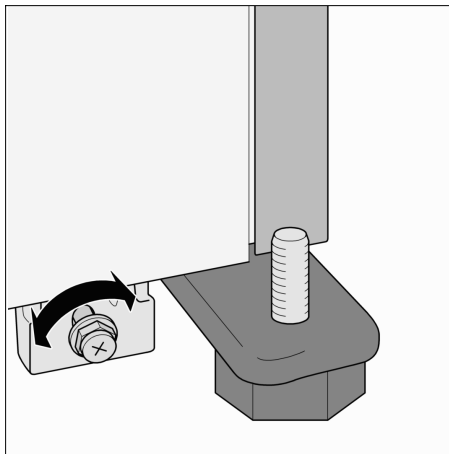
1. Coloque el electrodoméstico en el lugar designado.



2. Retire los tres tornillos del panel de la base.
3. Retire el panel de la base.



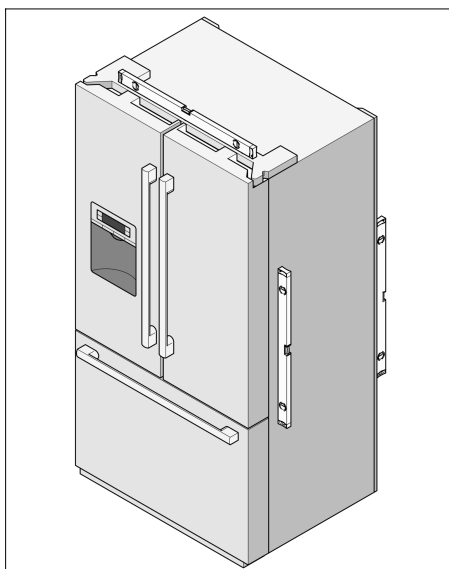
4. Use una llave hexagonal para aflojar las dos patas delanteras hasta que estén apoyadas firmemente en el piso y, luego, alinee la parte delantera del electrodoméstico.



5. Use una llave hexagonal para girar los tornillos y, luego, alinee la parte trasera del electrodoméstico.

Para levantar la parte trasera del electrodoméstico:
Gire el tornillo hacia la derecha.

Para bajar la parte trasera del electrodoméstico:
Gire el tornillo hacia la izquierda.



6. Use el nivel para verificar si el electrodoméstico está nivelado.

NOTA

Para asegurarse de que el electrodoméstico no se mueva, las patas delanteras deben estar apoyadas firmemente en el piso.

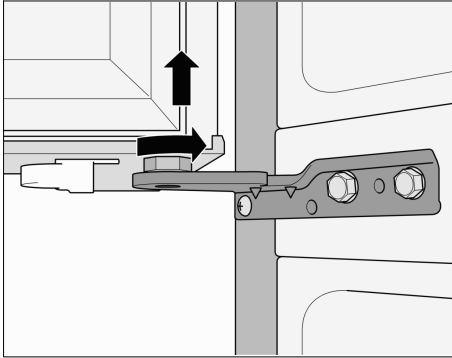
7. Si la altura de las puertas del compartimiento del refrigerador es despareja o si el cajón del compartimiento del congelador está inclinado después de ajustar el nivel del electrodoméstico, use el siguiente método para ajustarlos.

Ajuste de la puerta del refrigerador

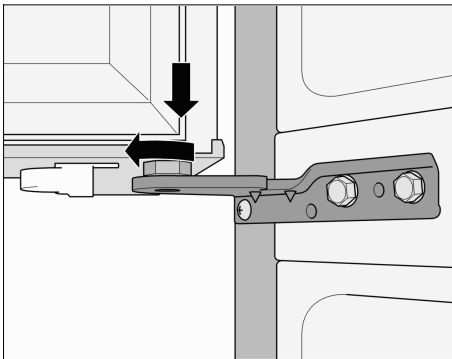
Si la altura de las puertas del refrigerador es despareja:

1. Determine qué puerta del refrigerador necesita levantar.
2. Gire la tuerca del tornillo de la bisagra inferior para ajustar la puerta del refrigerador.

Para levantar la puerta del refrigerador:
Gire el tornillo hacia la izquierda.



Para bajar la puerta del refrigerador:
Gire el tornillo hacia la derecha.



Si las puertas del refrigerador no están alineadas correctamente:

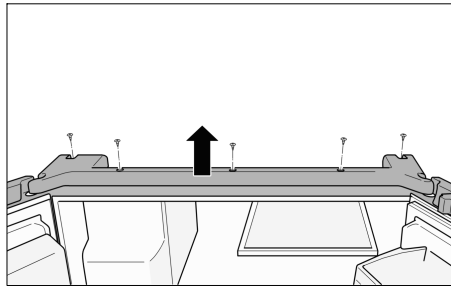
⚠ ADVERTENCIA

¡Riesgo de descarga eléctrica!

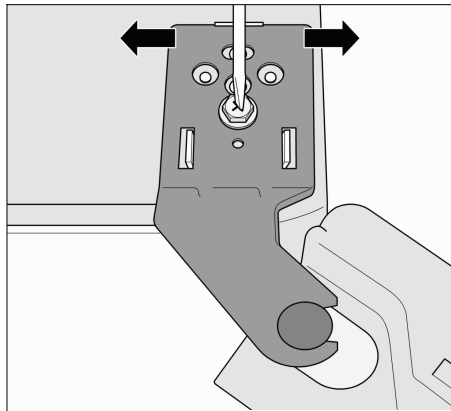
Antes de retirar el panel superior:

1. Cierre el suministro de agua al electrodoméstico.
2. Desenchufe el electrodoméstico o desconecte el fusible.

1. Determine qué puerta del refrigerador necesita ajustes.
2. Retire los cinco tornillos del panel superior.
3. Levante el panel.



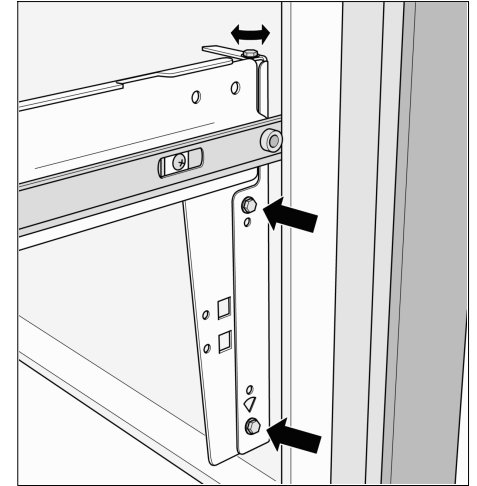
4. Afloje el tornillo.
¡No retire el tornillo!



5. Mueva la bisagra hacia el costado para ajustar la puerta del refrigerador.
6. Apriete el tornillo.
7. Vuelva a alinear el panel.
8. Inserte los cinco tornillos y apriételes.

Ajuste del cajón del compartimiento del congelador

1. Determine qué lado necesita ajustes.
2. Afloje los dos tornillos.
¡No retire los tornillos!



3. Use el tornillo superior para ajustar el cajón del compartimiento del congelador.
4. Apriete los dos tornillos.

Instalación de las manijas

No instale las manijas hasta que el electrodoméstico esté instalado en su lugar designado y quede nivelado.

Todas las manijas son idénticas.

El electrodoméstico viene con dos láminas de película protectora que se usan al instalar y retirar las manijas. Pueden usarse muchas veces.

Las láminas de película protectora protegen la superficie del electrodoméstico al instalar y retirar las manijas.

NOTA

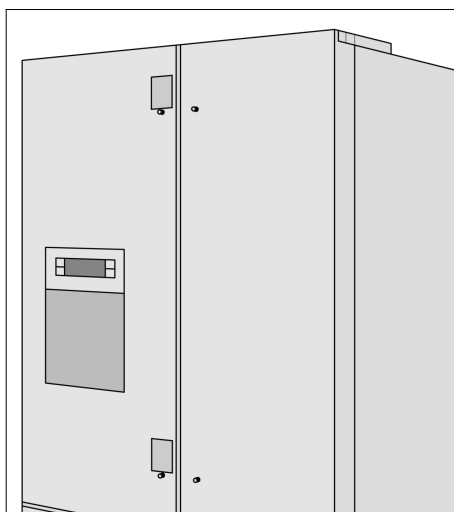
Si las manijas están instaladas incorrectamente, no se moverán en la dirección apropiada.

Para instalar las manijas correctamente:

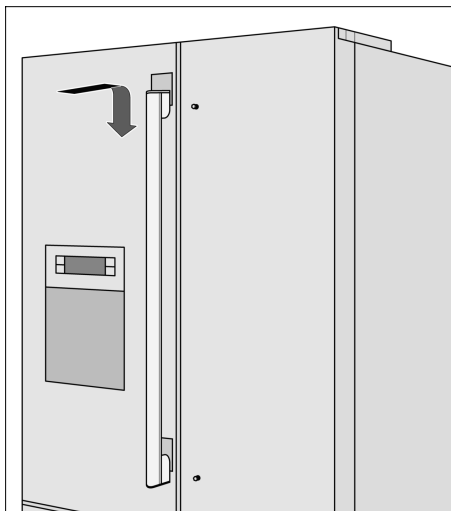
Se debe poder empujar hacia abajo las manijas de las puertas del compartimiento del refrigerador.

Se debe poder empujar la manija del cajón del compartimiento del congelador hacia la derecha.

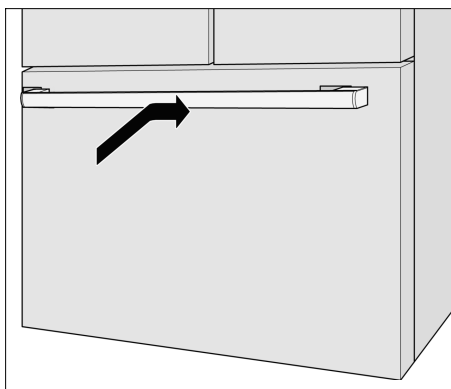
1. Coloque la película protectora sobre el electrodoméstico.



2. Inserte las manijas de la puerta del refrigerador dentro de las guías.
3. Empuje hacia abajo las manijas hasta que se traben en su lugar.



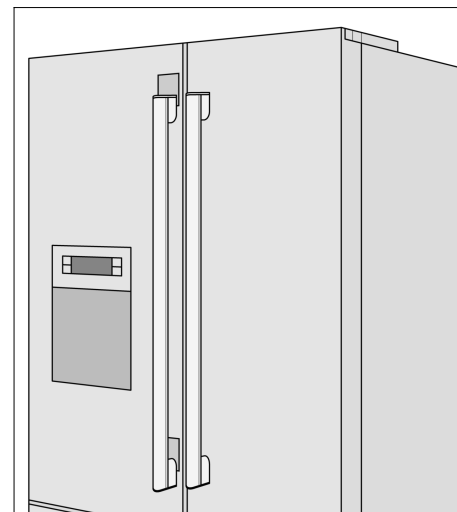
4. Inserte la manija del cajón del compartimiento del congelador dentro de las guías.
5. Empuje la manija hacia la derecha hasta que se traben en su lugar.



6. Retire la película protectora.

Retiro de las manijas

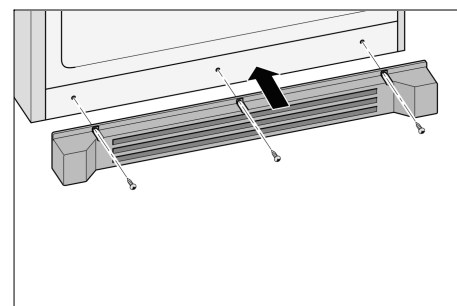
1. Coloque la película protectora:
 - Arriba de las guías de las puertas del refrigerador.
 - A la izquierda de las guías del cajón del compartimiento del congelador.



2. Empuje las manijas de la puerta del compartimiento del congelador hacia abajo y retírelas.
3. Empuje la manija del cajón del compartimiento del congelador hacia la izquierda y retírela.
4. Retire la película protectora. Guarde la película protectora para uso futuro.

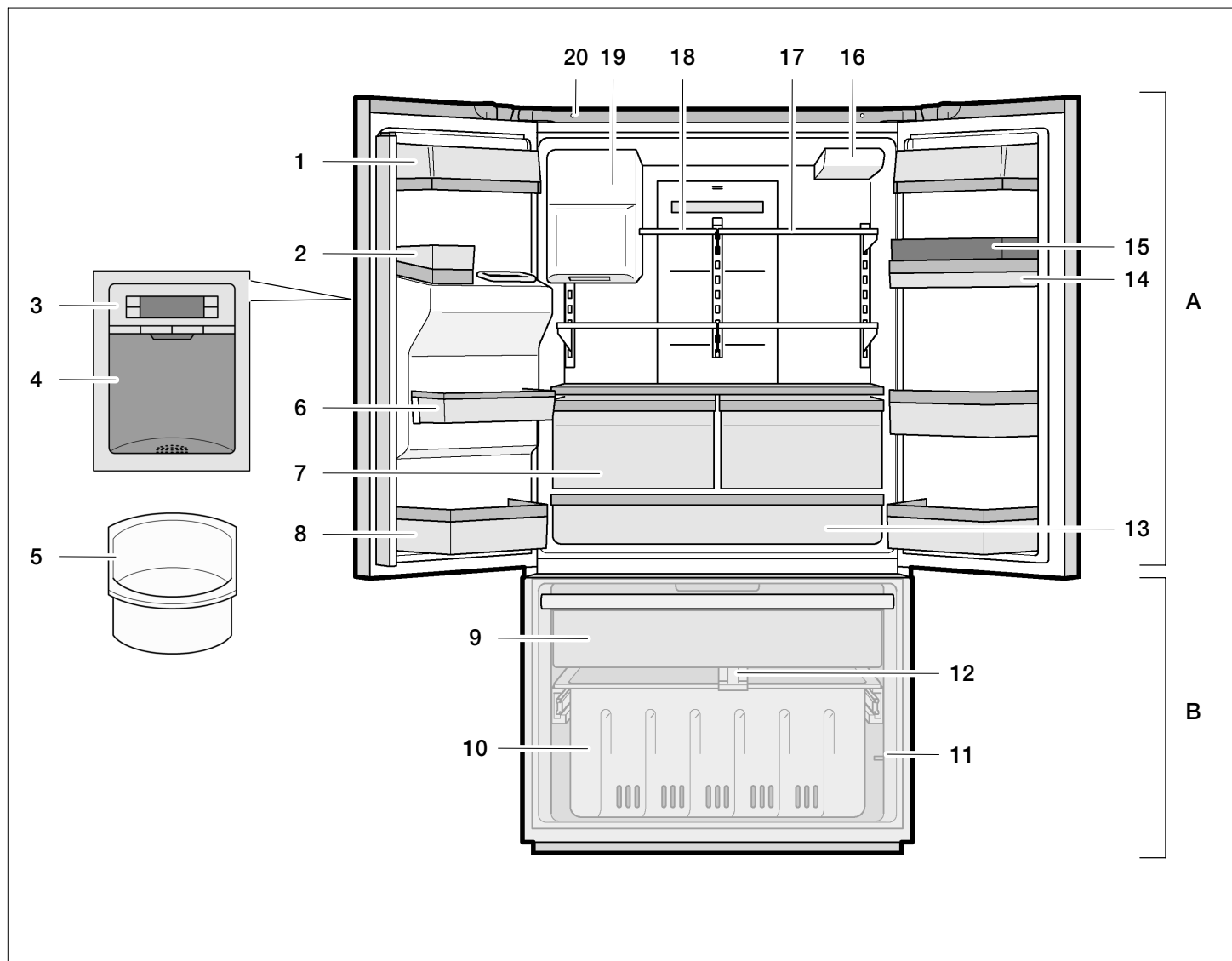
Instalación de la placa de la base

1. Retire los tres tornillos del electrodoméstico.
2. Monte la placa de la base.
3. Inserte los tres tornillos y apriételes.



Conozca su electrodoméstico

Estas instrucciones de operación e instalación se aplican a diversos modelos. Las ilustraciones pueden diferir de su modelo específico.



- A** El compartimiento del refrigerador se puede ajustar entre 35 °F (+2 °C) y 46 °F (+8 °C)
- B** El compartimiento del congelador se puede ajustar entre 5 °F (-15 °C) y -7 °F (-22 °C)

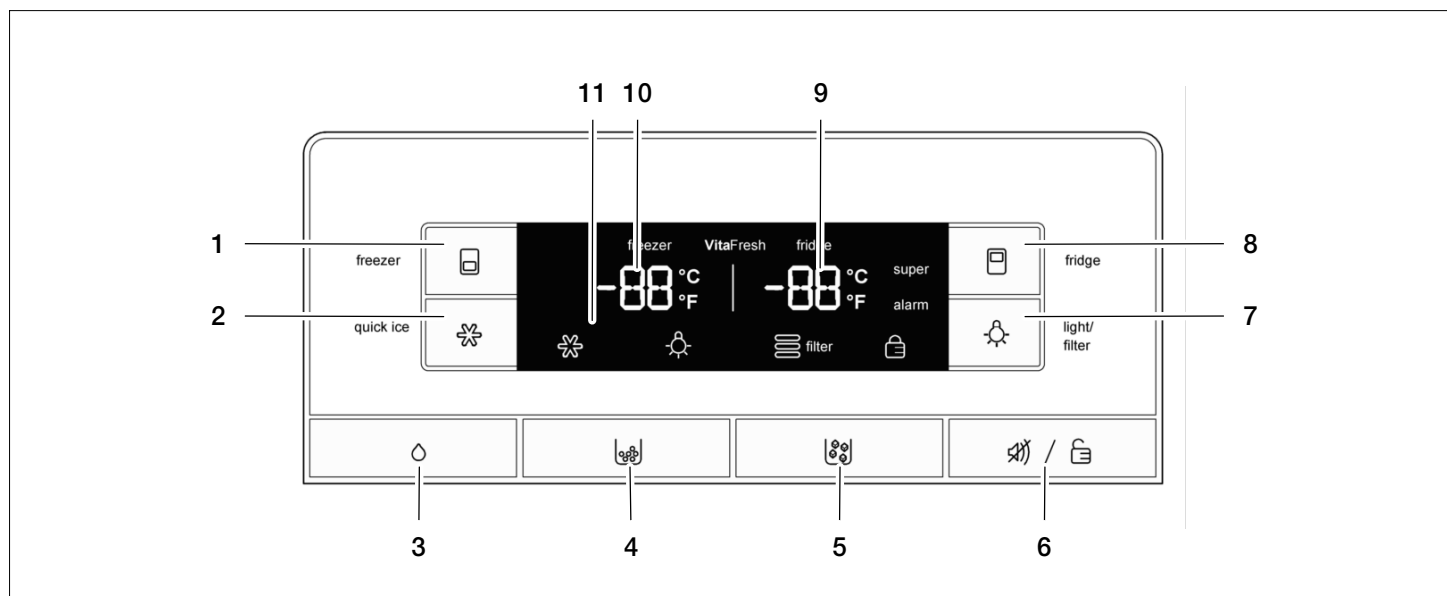
- 1** Compartimento para mantequilla y quesos
- 2** Recipiente para latas
- 3** Panel de control y de la pantalla
- 4** Dispensador de hielo y agua
- 5** Recipiente de almacenamiento de hielo
- 6** Compartimento de almacenamiento de la puerta
- 7** Compartimento Vita Fresh con luz de LED
- 8** Compartimento de almacenamiento de la puerta desmontable
- 9** Cajón superior del congelador
- 10** Cajón inferior del congelador
- 11** Interruptor de la luz del compartimiento del congelador
- 12** Divisor del compartimiento del congelador
- 13** Cajón para fiambres con luz de LED
- 14** Compartimento de almacenamiento de la puerta
- 15** Compartimento para huevos
- 16** Filtro de agua
- 17** Estante de vidrio ajustable
- 18** Estante de vidrio pequeño
- 19** Máquina de hielo/Recipiente para cubos de hielo
- 20** Interruptor de la luz del compartimiento del refrigerador

Panel de control y de la pantalla

El panel de control y de la pantalla que se encuentra en la puerta izquierda del refrigerador consiste en un teclado con pantalla táctil.

Toque el teclado para activar la función correspondiente.

La luz del panel de control y de la pantalla se apaga después de aprox. 1 minuto cuando no se toca ninguna tecla.



1 botón "freezer"

Botón para

- ajustar la temperatura del compartimento del congelador
- encender/apagar la función "Super freeze" (supercongelado).

2 botón "quick ice"

Interruptor on/off (encendido/apagado) de la fabricación rápida de cubos de hielo.

3 botón dispensador de agua

4 botón dispensador de hielo picado

5 botón dispensador de cubos de hielo

6 botón "alarm/lock"

Botón para

- apagar la señal de advertencia
- apagar/encender el bloqueo de panel.

7 botón "light/filter"

Botón para

- encender/apagar la luz del dispensador de hielo y agua
- reprogramar el indicador del filtro.

8 botón "fridge"

Botón para

- ajustar la temperatura del compartimento del refrigerador
- encender/apagar la función "Super cool" (superfrío).

9 Pantalla de temperatura del compartimento del refrigerador

Muestra la temperatura programada para el compartimento del refrigerador.

10 Pantalla de temperatura del compartimento del congelador

Muestra la temperatura programada para el compartimento del congelador.

11 Símbolos que aparecen en el panel de la pantalla



"Hielo rápido"

Aparece cuando la función "quick ice" (hielo rápido) está encendida.



"Luz"

Aparece cuando la luz del dispensador de hielo y agua está encendida.



"Filtro de agua"

Muestra el estado del cartucho filtrante.



"Bloqueo de panel"

Aparece cuando el bloqueo de panel está encendido.

Consejos de operación

Abrir y cerrar las puertas del compartimiento del refrigerador

Las puertas del compartimiento del refrigerador pueden abrirse y cerrarse independientemente.

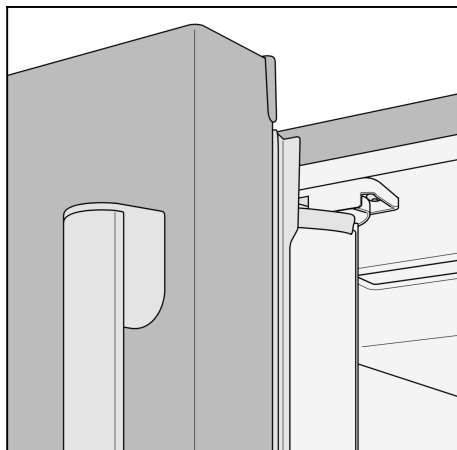
La puerta izquierda del compartimiento del refrigerador tiene una varilla de puerta plegable.

NOTA

¡Riesgo de daños al electrodoméstico!

La varilla de la puerta podría dañarse si intenta cerrar la puerta izquierda del compartimiento del refrigerador cuando la varilla de la puerta no está plegada.

Antes de cerrar las puertas del compartimiento del refrigerador, asegúrese de que la varilla de la puerta esté plegada en el ángulo correcto de la puerta.



Al cerrar la puerta izquierda del compartimiento del refrigerador, la varilla de la puerta se pliega detrás de la puerta derecha del compartimiento del refrigerador y forma un sello entre las puertas del compartimiento del refrigerador.

Encendido del electrodoméstico

NOTA

Después de instalar el electrodoméstico, espere al menos 8 horas antes de enchufarlo. El aceite que se encuentra en el compresor puede haber ingresado en el sistema de refrigeración durante el traslado.

Conecte el enchufe del electrodoméstico en la toma de corriente.

Una vez que el electrodoméstico ha sido enchufado, comenzará el proceso de refrigeración. La luz interior del compartimiento del refrigerador se enciende cuando la puerta está abierta.

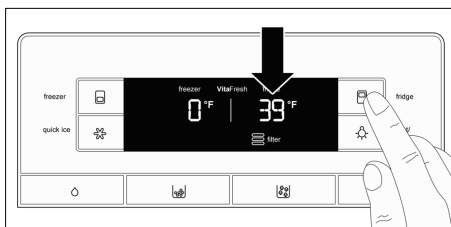
El interior del electrodoméstico demorará varias horas en alcanzar las temperaturas programadas de fábrica. No coloque alimentos en el electrodoméstico hasta que se alcancen estas temperaturas.

Programación de la temperatura

Compartimiento del refrigerador

(puede ajustarse entre 35 °F (+2 °C) y 46 °F (+8 °C))

Presione el botón "fridge" hasta que se programe la temperatura deseada del compartimiento del refrigerador.



Se almacenará el valor de la temperatura más reciente.

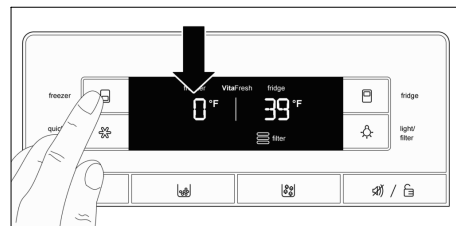
Recomendamos una programación de 39 °F (+4 °C).

Los alimentos perecederos no deben almacenarse a temperaturas mayores que 39 °F (+4 °C).

Compartimiento del congelador

(puede ajustarse entre 5 °F (-15 °C) y -7 °F (-22 °C))

Presione el botón "freezer" hasta que se programe la temperatura deseada del compartimiento del congelador.



Se almacenará el valor de la temperatura más reciente.

Recomendamos una programación de 0 °F (-18 °C).

Función de alarma

La señal de advertencia suena cuando el interior del electrodoméstico está demasiado caliente o cuando la puerta del electrodoméstico ha estado abierta durante más de un minuto.

La señal de advertencia sonará tres veces durante un minuto cada vez que se active. Habrá una pausa de un minuto entre señales.

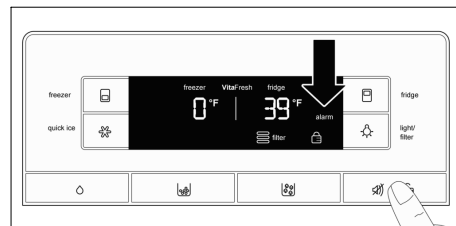
Compartimiento del refrigerador

La palabra "alarm" parecerá en la parte derecha del panel de la pantalla.

Para apagar la señal de advertencia:

Presione "alarm/lock" o cierre las puertas del compartimiento del refrigerador.

La palabra "alarm" titila en el panel de la pantalla hasta que la temperatura está cerca de la temperatura seleccionada.

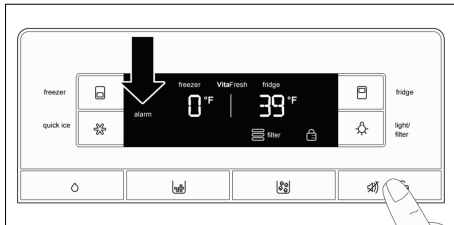


Compartimiento del congelador

La palabra “alarm” aparecerá en la parte izquierda del panel de la pantalla.

Para apagar la señal de advertencia:

Presione “alarm/lock” o cierre el cajón del compartimiento del congelador. La palabra “alarm” titila en el panel de la pantalla hasta que la temperatura está cerca de la temperatura seleccionada.



Bloqueo de panel

Cuando la función panel lock (bloqueo de panel) está activada, todos los botones en el panel de control y de la pantalla se bloquean.

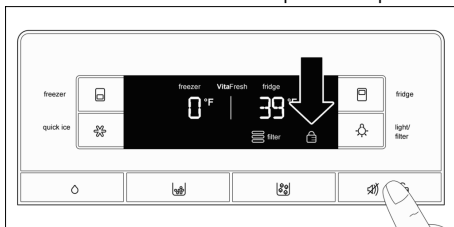
NOTA

Cuando la función panel lock (bloqueo de panel) está activada, use el botón “alarm/lock” (alarma/bloqueo) para apagar la señal de advertencia.

Para encender o apagar el bloqueo de panel:

Presione “alarm/lock” durante 2 segundos.

El símbolo “panel lock” aparece cuando se activa el bloqueo de panel.



Superfrío

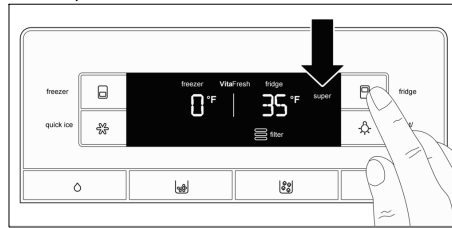
La función Super cooling (superfrío) enfría el compartimiento del refrigerador tanto como sea posible durante, aproximadamente, 6 horas. Entonces, la temperatura se reprograma automáticamente en 39 °F (+4 °C).

La función Super cooling (superfrío) está recomendada particularmente en los siguientes casos:

- Antes de colocar grandes cantidades de alimentos en el compartimiento del refrigerador.
- Para enfriar bebidas rápidamente.

Para encender la función super cooling (superfrío):

Presione “fridge” hasta que aparezca “super” en la parte derecha del panel de la pantalla.



Para apagar la función super cooling (superfrío):

Presione “fridge”.

La palabra “super” desaparece del panel de la pantalla. La temperatura se programa automáticamente en 39 °F (+4 °C).

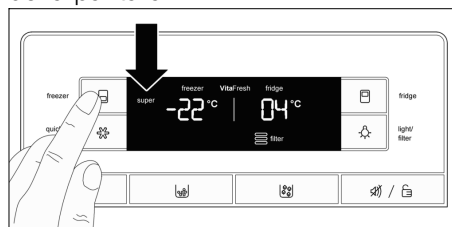
Supercongelado

Los alimentos deben congelarse tan pronto como sea posible a fin de conservar sus vitaminas, su valor nutricional, su aspecto y su sabor. Para evitar un incremento no deseado de la temperatura al colocar alimentos frescos en el compartimiento del congelador, encienda la función super freezing (supercongelado) con varias horas de anticipación.

Como regla general, entre 4 y 6 horas son suficientes. Deje transcurrir un mínimo de 24 horas si planea usar la capacidad de congelamiento máxima. Es posible congelar cantidades más pequeñas de alimentos sin la función super freezing (supercongelado).

Para encender la función super freezing (supercongelado):

Presione “freezer” hasta que aparezca “super” en la parte izquierda del panel de la pantalla.



Para apagar la función super freezing (supercongelado):

Presione “freezer”.

La palabra “super” desaparece del panel de la pantalla. La temperatura se programa automáticamente en 0 °F (-18 °C).

NOTA

La función Super freezing (supercongelado) se apaga automáticamente después de aproximadamente 2 días.

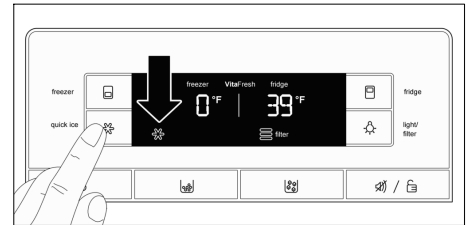
Hielo rápido

Use esta función para acelerar la fabricación de cubos de hielo.

Para encender quick ice (hielo rápido):

Presione “quick ice”.

El símbolo “quick ice” (hielo rápido) aparece en el panel de la pantalla.



Cuando el recipiente para cubos de hielo está lleno, la función quick ice (hielo rápido) se apaga automáticamente después de algunas horas.

NOTA

Cuando la función quick ice (hielo rápido) está activada, la alimentación eléctrica del electrodoméstico aumenta temporalmente. Esto aumenta el consumo de energía.

Símbolo de filtro de agua

El símbolo indica el período de uso del cartucho filtrante.



Hasta dos meses.



Hasta cuatro meses.



Hasta seis meses.

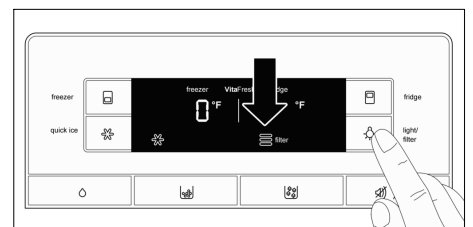


Después de seis meses, el símbolo titila. Reemplace el cartucho filtrante.

Cuando el electrodoméstico está apagado, el símbolo de filtro de agua se reprograma.

Para reprogramar el símbolo de filtro de agua después de reemplazar el cartucho filtrante:

Presione el botón “light/filter” durante 3 segundos.



El símbolo deja de titilar.

Unidad de temperatura

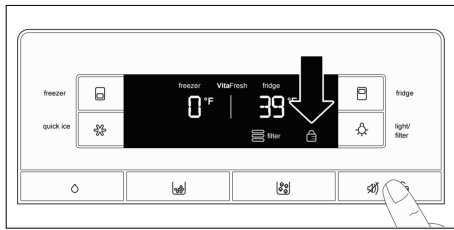
La temperatura puede mostrarse en grados Fahrenheit (°F) o Celsius (°C).

Una vez que se enciende el electrodoméstico, la temperatura aparece en grados Fahrenheit (°F).

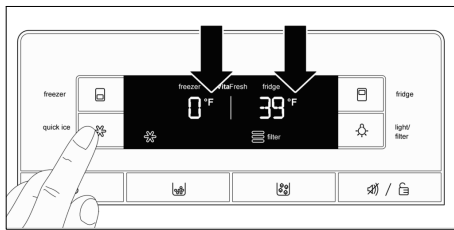
Para programar la unidad de temperatura:

Presione "alarm/lock" durante 2 segundos.

Aparece el símbolo "Panel lock" (Bloqueo de panel).



Presione "quick ice" durante 15 segundos hasta que cambie la unidad de temperatura.



Compartimiento del refrigerador



ADVERTENCIA

¡Riesgo de explosión!

Nunca almacene productos que contengan propulsores inflamables (tales como latas de aerosol) o sustancias explosivas o fácilmente combustibles en el electrodoméstico.

Las botellas que contienen un alto porcentaje de alcohol deben estar herméticamente selladas y almacenarse en posición vertical.

La temperatura del compartimiento del refrigerador puede ajustarse entre 35 °F (+2 °C) y 46 °F (+8 °C).

Recomendamos una programación de 39 °F (+4 °C).

Los alimentos perecederos no deben almacenarse a temperaturas mayores que 39 °F (+4 °C).

Uso del compartimiento del refrigerador

Para almacenar comidas elaboradas, pasteles y pastelería, alimentos enlatados, leche condensada, queso, productos para untar, salsas, dips y huevos.

Siga estas pautas al almacenar alimentos:

- Deje que los alimentos y bebidas calientes se enfríen fuera del electrodoméstico.
- Coloque alimentos en recipientes herméticos para evitar que estos pierdan su sabor o se sequen.
- Para evitar que haya poca circulación de aire en el electrodoméstico, no obstruya las aberturas de ventilación con alimentos.
- Evite el contacto de aceite y grasa con las piezas de plástico y con el sello de la puerta.

Compartimiento Vita Fresh

(no disponible en todos los modelos)

La temperatura dentro del compartimiento Vita Fresh se mantiene a casi 32 °F (0 °C). La temperatura baja proporciona condiciones óptimas de almacenamiento para los alimentos perecederos.

Los alimentos pueden almacenarse en el compartimiento Vita Fresh durante mucho más tiempo que en el compartimiento habitual de los refrigeradores sin perder su frescura.

El compartimiento Vita Fresh está cubierto por un filtro especial para humedad. El filtro especial para humedad optimiza la humedad en el compartimiento Vita Fresh. Según cuán lleno esté el compartimiento Vita Fresh, la humedad puede alcanzar hasta un máximo del 90 %, que es ideal para todos los productos de huerta y de campo, tales como verduras, lechugas, hierbas y frutas.

Vita Fresh es apto para:

Básicamente, cualquier alimento fresco que deba mantenerse fresco durante más tiempo, como carne y productos derivados de la carne, pescado fresco, mariscos, leche, mantequilla, quesos blandos, queso cottage, frutas y verduras.

Vita Fresh no es apto para:

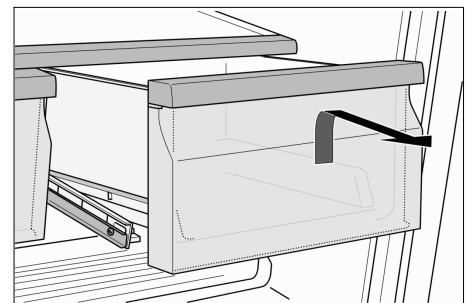
Frutas y verduras sensibles al frío, como frutas tropicales, aguacates, papayas, maracuyás, berenjenas, pepinos, pimientos, así como fruta que tenga que madurar, tomates verdes y papas.

Al comprar alimentos, tenga en cuenta:

La "frescura en el momento de la compra" es importante para la duración en almacenamiento de sus alimentos. Por lo general, cuanto más frescos estén los productos en el momento de colocarlos en los compartimientos Vita Fresh, mayor será el tiempo en que permanecerán frescos. Por lo tanto, al comprar alimentos, verifique siempre su grado de frescura.

Cómo retirar los cajones Vita Fresh

1. Jale los cajones Vita Fresh hacia afuera, tanto como sea posible.
2. Levante el frente de los cajones Vita Fresh y jálelos hacia afuera.



3. Cómo insertar los cajones Vita Fresh: Inserte los cajones Vita Fresh dentro del riel y empuje hacia la parte posterior.

Cajón para fiambres

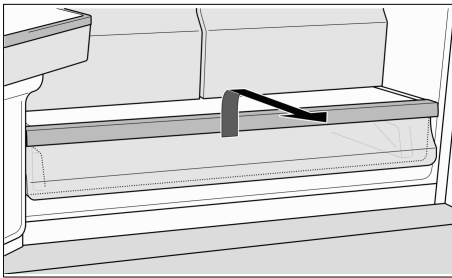
La temperatura en el cajón para fiambres se mantiene constante, apenas bajo cero. Esto proporciona condiciones óptimas de almacenamiento para carnes, productos derivados de la carne, pescados, mariscos, productos lácteos, así como quesos duros y blandos.

NOTA

Nunca almacene alimentos sensibles al frío en el cajón para fiambres.

Cómo retirar el cajón para fiambres

1. Jale el cajón para fiambres hacia afuera, tanto como sea posible.
2. Levante el frente del cajón para fiambres y jálelo hacia afuera.

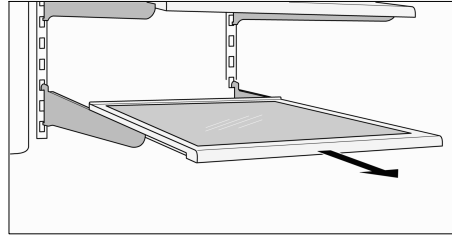


3. Cómo insertar el cajón: Inserte el cajón para fiambres dentro del riel y empuje hacia la parte posterior.

Diseño interior variable

Estantes de vidrio

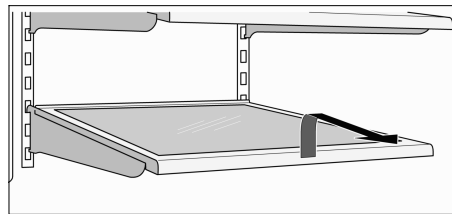
Los estantes de vidrio ajustables pueden retirarse.



Puede extraer los estantes de vidrio ajustables y ubicarlos a distintas alturas.

Cómo retirar un estante de vidrio

Levante y jale el estante hacia usted. Desenganche y, luego, retire el estante.

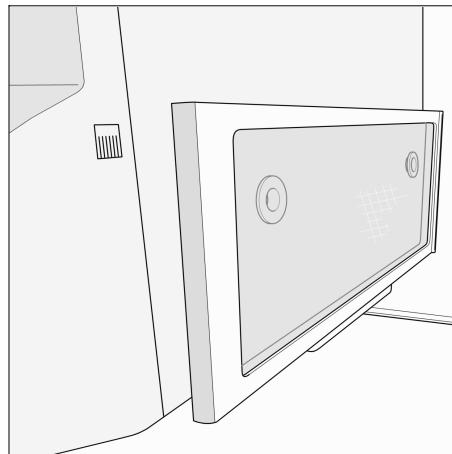


Instalación del estante de vidrio

Levante la parte delantera del estante e introduzca los ganchos en las aberturas a la altura deseada. Baje la parte delantera del estante.

Estante de vidrio superior pequeño

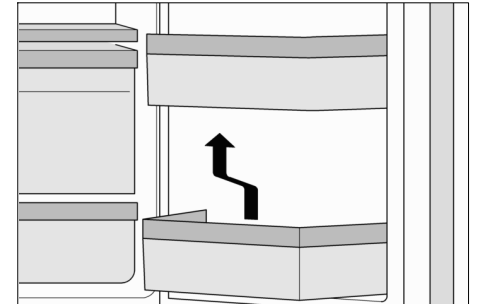
El estante de vidrio puede retirarse y colocarse en el soporte debajo de la máquina de hielo. Esto proporciona espacio para colocar artículos de mayor altura, como botellas altas, junto a la máquina de hielo.



Compartimientos de almacenamiento de la puerta

Para retirar los compartimientos de almacenamiento de la puerta:

Levante el compartimiento de la puerta y sáquelo.

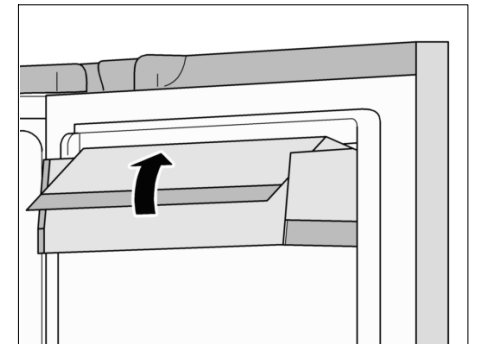


Para instalar los compartimientos de almacenamiento de la puerta:

Coloque el compartimiento por encima del soporte a la altura deseada, y presione hacia abajo.

Compartimiento para mantequilla y quesos

Levante la cubierta que se encuentra sobre el compartimiento para mantequilla y quesos.



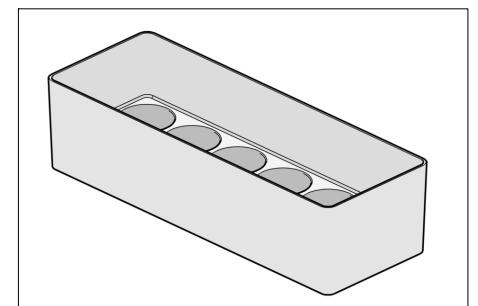
Para retirar el compartimiento para mantequilla y quesos:

Levante el compartimiento y sáquelo.

Para instalar el compartimiento para mantequilla y quesos:

Coloque el compartimiento por encima del soporte a la altura deseada y presione hacia abajo.

Compartimiento para huevos



Compartimiento del congelador



ADVERTENCIA

¡Riesgo de explosión!

Nunca almacene productos que contengan propulsores inflamables (tales como latas de aerosol) o sustancias explosivas o fácilmente combustibles en el electrodoméstico.

La temperatura del compartimiento del congelador puede ajustarse entre 5 °F (-15 °C) y -7 °F (-22 °C).

Recomendamos una programación de 0 °F (-18 °C).

NOTA

Asegúrese de que el cajón del compartimiento del congelador se mantenga siempre cerrado. Los alimentos congelados se descongelan si se abre el cajón del compartimiento del congelador. El compartimiento del congelador se cubre con una capa gruesa de hielo. Además, se pierde energía debido al elevado consumo de energía.

Cuando se cierra la puerta del compartimiento del congelador, se produce baja presión dentro del compartimiento.

Si no puede volver a abrir la puerta del compartimiento del congelador de inmediato, espere de dos a tres minutos hasta que se haya ajustado la baja presión.

Use el compartimiento del congelador para

- almacenar alimentos congelados
- congelar alimentos
- hacer y almacenar cubos de hielo.

Cómo congelar alimentos

Congele alimentos frescos e intactos únicamente. Separe los alimentos que deban congelarse de los que ya estén congelados. Coloque los alimentos en recipientes herméticos para evitar que pierdan su sabor o que se sequen.

Cómo envolver los alimentos correctamente:

1. Coloque los alimentos en un envoltorio.
2. Elimine todo el aire.
3. Selle el envoltorio.
4. Identifique el envoltorio con el contenido y la fecha.

Artículos no aptos para envolver alimentos:

Papel de regalo, papel manteca, celofán, bolsas de residuos ni bolsas de compra usadas.

Artículos aptos para envolver alimentos:

Película de plástico, película soplada de polietileno, papel de aluminio y latas para congelador. Estos productos pueden adquirirse de su vendedor minorista.

Artículos aptos para sellar alimentos envueltos:

Bandas de hule, ganchos de plástico, cordón, cinta adhesiva resistente al frío o artículos similares.

Las bolsas y la película soplada de polietileno pueden sellarse con un sellador para película.

Vida en almacenamiento de alimentos congelados

La vida en almacenamiento depende del tipo de alimentos. A una programación de temperatura de 0 °F (-18 °C):

- Pescado, salchicha, comidas preparadas y pasteles y pastelería: hasta **6 meses**
- Queso, ave y carne: hasta **8 meses**
- Frutas y verduras: hasta **12 meses**.

Cómo comprar y almacenar alimentos congelados

Siga estas pautas al comprar alimentos congelados:

- Asegúrese de que el envase no esté dañado.
- Verifique la fecha "límite de venta".
- La temperatura del congelador del supermercado debe ser inferior a 0 °F (-18 °C). En caso contrario, se puede reducir la vida en almacenamiento de los alimentos congelados.
- Recoja por último los alimentos congelados al realizar compras. Envuélvalos en periódico o colóquelos en una bolsa térmica y llévelos a su hogar.
- En su hogar, coloque inmediatamente los alimentos congelados en el compartimiento del congelador. Use los alimentos congelados antes de la fecha "límite de venta".

Cómo descongelar alimentos congelados



ATENCIÓN

¡Riesgo de intoxicación!

No vuelva a congelar alimentos que hayan comenzado a descongelarse o que ya se hayan descongelado. Los alimentos no pueden volver a congelarse hasta que se hayan preparado (hervido o freído). No almacene estos productos recongelados durante el período de almacenamiento máximo.

Según el tipo de alimentos y su uso previsto, los alimentos congelados pueden descongelarse de la siguiente manera:

- a temperatura ambiente
- en el refrigerador
- en un horno eléctrico con/sin aire caliente asistido por ventilador
- en el horno de microondas.

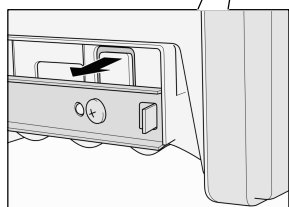
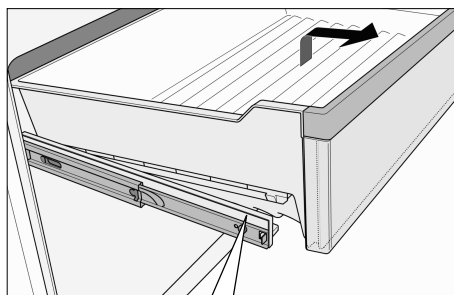
Características del compartimiento del congelador

Cajón superior del congelador

El cajón del congelador puede retirarse.

Para retirar el cajón superior del congelador:

1. Extraiga todo lo posible el cajón superior del congelador.
2. Extraiga cuidadosamente los ganchos a ambos lados y levante la parte delantera del cajón del congelador.
3. Extraiga el cajón del congelador.

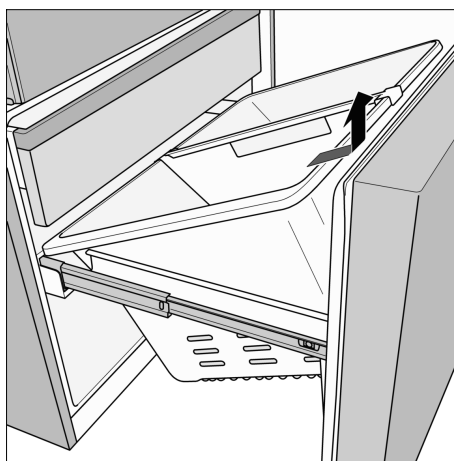


Cajón inferior del congelador

El cajón del congelador puede retirarse.

Para retirar el cajón inferior del congelador:

Levante el cajón del congelador hacia arriba y hacia afuera.



Dispensador de hielo y agua

Según sea necesario, se puede dispensar lo siguiente:

- agua fría,
- hielo picado,
- cubos de hielo.



ADVERTENCIA

¡Riesgo de lesiones provocadas por vidrio roto!

Nunca utilice recipientes frágiles para dispensar agua o hielo.



ADVERTENCIA

¡Riesgo de lesiones provocadas por las cuchillas picadoras giratorias!

Nunca introduzca la mano dentro de la abertura del dispensador de cubos de hielo.

NOTA

¡Riesgo de daños al electrodoméstico!

No coloque botellas ni alimentos en el recipiente para cubos de hielo para enfriarlos rápidamente. La máquina de hielo puede obstruirse y dañarse.

Al encender el electrodoméstico, tenga en cuenta lo siguiente

El dispensador de hielo y agua solo funciona cuando el electrodoméstico está conectado al suministro de agua.

Una vez que se ha encendido el electrodoméstico, el primer lote de cubos de hielo demorará 24 horas en realizarse.

Cuando se conecta el electrodoméstico, quedan burbujas de aire en las líneas.

Extraiga el agua potable y deséchela hasta que el agua pueda dispensarse sin burbujas. Deseche los primeros cinco vasos de agua.

Al usar la máquina de hielo por primera vez, no use los primeros 30 a 40 cubos de hielo por razones de higiene.

Operación de la máquina de hielo

Una vez que el compartimiento del congelador ha alcanzado su temperatura de congelamiento, el agua fluye dentro de la máquina de hielo y se congela en forma de cubos de hielo. Los cubos de hielo se descargan en forma automática dentro del recipiente para cubos de hielo una vez que están listos.

Es posible que los lados de los cubos de hielo se peguen ocasionalmente. Por lo general, se separan a medida que se desplazan hacia la abertura del dispensador.

La fabricación de hielo se interrumpe automáticamente cuando el recipiente para cubos de hielo está lleno.

La máquina de hielo permite hacer, aproximadamente, 100 cubos de hielo en el término de 24 horas cuando, durante el día, se descargan los cubos de hielo varias veces.

A medida que se producen los cubos de hielo, pueden oírse el zumbido de la válvula de agua, el agua que fluye en el contenedor de almacenamiento de hielo y los cubos de hielo que van cayendo.

Calidad del agua potable



ATENCIÓN

El filtro de agua incluido con el electrodoméstico filtra únicamente partículas provenientes del agua suministrada y no filtra bacterias ni microbios.

Todos los materiales usados en el dispensador de agua son inoloros e insípidos.

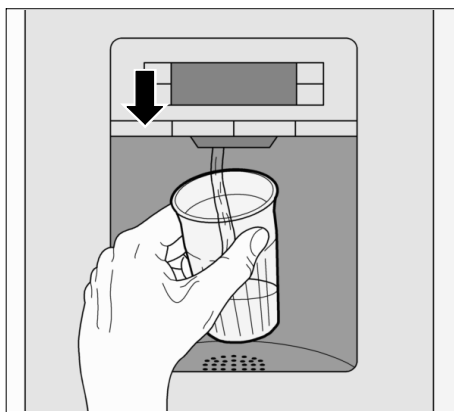
Si el agua tiene un gusto residual, este puede estar provocado por lo siguiente:

- Contenido de minerales y cloro en el agua potable
- Materiales de los que están hechas la línea de agua doméstica o la línea de conexión
- Frescura del agua potable. Si no se ha dispensado agua durante un período prolongado, el agua puede tener un gusto "rancio". En este caso, dispense aproximadamente 15 vasos de agua y deséchelos.

El gusto y el olor del agua pueden mejorarse instalando el cartucho filtrante incluido en el punto de entrada de agua.

Cómo dispensar el agua

1. Sostenga un receptáculo apropiado debajo del dispensador de hielo y agua.
2. Mantenga el botón del dispensador de agua presionado hasta que el receptáculo tenga la cantidad de agua deseada.



Consejo:

El agua del dispensador de agua se enfría hasta una temperatura agradable. Si desea agua más fría, coloque cubos de hielo en el vaso antes de dispensar el agua.

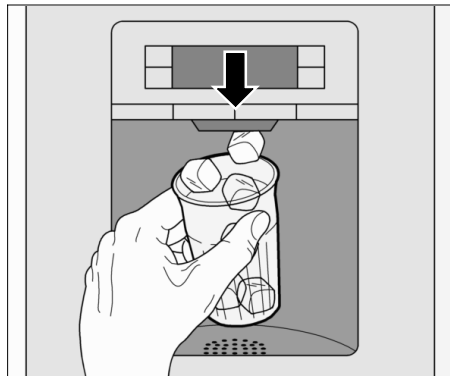
Cómo dispensar hielo

NOTA

Mantenga presionado el botón de cubos de hielo o hielo picado, y suéltelo una vez que el receptáculo tenga la cantidad de hielo deseada. Por el contrario, si hay hielo en la abertura del dispensador de cubos de hielo, es posible que se sobrecargue el receptáculo o que se obstruya la abertura del dispensador de cubos de hielo.

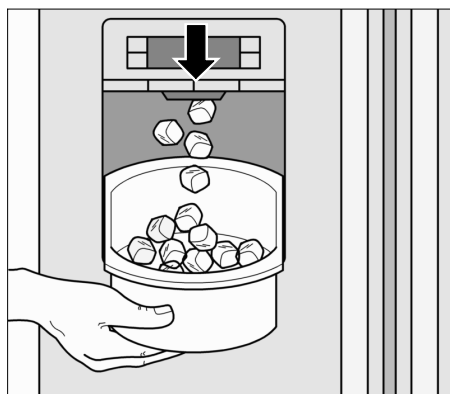
Si se dispensó hielo picado antes de dispensar cubos de hielo, es posible que todavía queden algunas partículas de hielo picado en la abertura del dispensador de cubos de hielo. Estas se dispensarán junto con el próximo lote de cubos de hielo.

1. Sostenga un receptáculo apropiado debajo del dispensador de hielo y agua.
2. Mantenga el botón de cubos de hielo o hielo picado presionado hasta que el receptáculo tenga la cantidad deseada.



Recipiente de almacenamiento de hielo

El recipiente de almacenamiento de hielo almacena un suministro de reserva de cubos de hielo en el compartimiento del congelador. El recipiente de almacenamiento de hielo encaja perfectamente en el dispensador de hielo y agua debido a su forma.



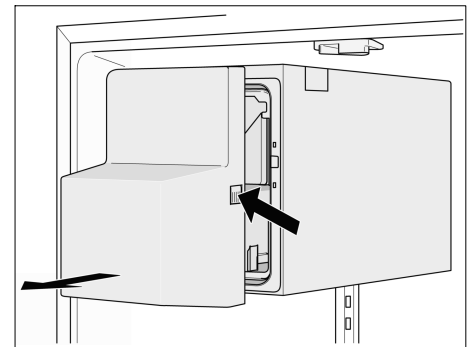
Cómo desconectar la máquina de hielo

NOTA

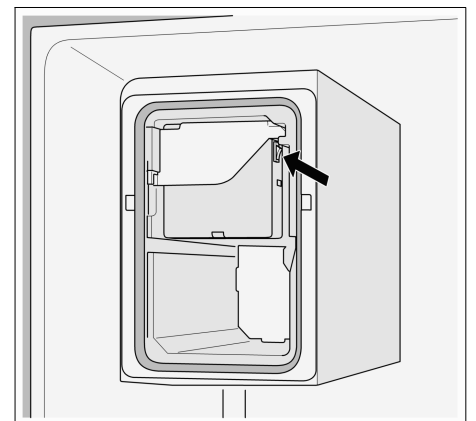
Asegúrese de cerrar el suministro de agua al electrodoméstico unas horas antes de desconectar la máquina de hielo.

Si no se van a dispensar cubos de hielo por más de 1 semana (por ejemplo, por vacaciones), desconecte temporalmente la máquina de cubos de hielo para evitar que los cubos de hielo se congelen juntos.

1. Presione el botón para abrir y retire el recipiente para cubos de hielo.



2. Coloque el interruptor on/off (encendido/apagado) que se encuentra detrás del recipiente para cubos de hielo en off (0); la máquina de hielo se desactiva.



3. Vacíe y limpie el recipiente para cubos de hielo.
4. Empuje el recipiente para cubos de hielo completamente hacia atrás sobre los soportes hasta que se trabe en su posición.

Cómo reactivar la máquina de hielo:

- Coloque el interruptor on/off (encendido/apagado) que se encuentra detrás del recipiente para cubos de hielo en on (1); la máquina de hielo se activa.

Filtro de agua

⚠ ATENCIÓN

No use el electrodoméstico en lugares donde la calidad del agua sea insegura o desconocida sin tomar las medidas de desinfección adecuadas antes y después del filtrado.

Se puede adquirir un cartucho filtrante para filtrar partículas de servicio a clientes.

El filtro de agua debe reemplazarse después de 6 meses como máximo.

Después de 6 meses, el símbolo de filtro de agua que titila le indica que reemplace el cartucho filtrante (ver "Símbolo de filtro de agua").

Otros requisitos de conexión

No instale el cartucho filtrante si la presión de agua supera las 120 psi (8.2 bar).

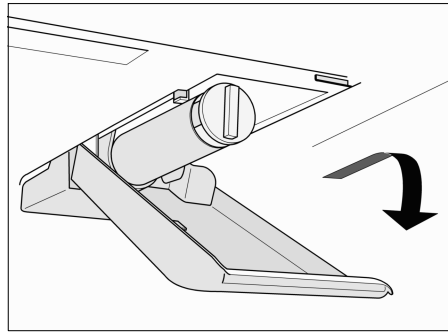
Si la presión de agua supera las 80 psi (5.5 bar), se debe instalar una válvula de reducción de presión.

Nota importante

- Limpie profundamente el sistema de agua si el electrodoméstico no se ha usado durante un período prolongado, o el agua tiene un gusto u olor desagradables. Para hacerlo, extraiga el agua del dispensador de agua durante varios minutos. Reemplace el cartucho filtrante si el gusto o el olor desagradables persisten.
- La máquina de hielo y el dispensador de agua pueden usarse sin el cartucho filtrante. En este caso, reemplace el filtro de agua con la tapa de desvío.

Instalación y reemplazo del cartucho filtrante

1. Extraiga y, luego, baje la cubierta.

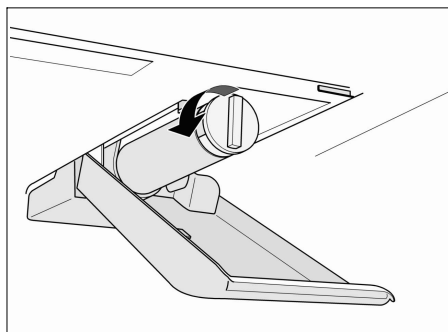


NOTA

¡Retire el cartucho filtrante con cuidado!

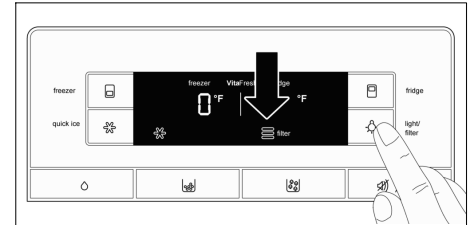
El sistema de agua se encuentra a baja presión después de usarlo.

2. Gire suavemente el cartucho filtrante o la tapa de desvío hacia la izquierda 90° y retírelo.



3. Saque el nuevo cartucho filtrante del embalaje.
4. Introduzca el nuevo cartucho filtrante y gírelo suavemente hacia la derecha 90° hasta que se traben en su lugar.
5. Levante la cubierta y trábela en su lugar.
6. Encienda el suministro de agua al electrodoméstico.
7. Extraiga alrededor de un galón de agua del dispensador de agua. Esto eliminará el aire del sistema de agua.

8. Elimine el agua que haya en el cartucho filtrante usado. El cartucho filtrante puede desecharse junto con la basura doméstica.
9. Presione el botón "light/filter" durante 3 segundos. El símbolo de filtro de agua se reprograma. El símbolo deja de titilar. Se activa el nuevo cartucho filtrante.



Hoja de datos de especificaciones y rendimiento

Para el modelo del filtro: 9000 077 095 y 9000 077 096

Uso del cartucho de reemplazo 9000 077 104

El modelo ha sido probado por NSF International de acuerdo con las normas ANSI/NSF 42 y 53, y cuenta con una certificación de reducción de las sustancias mencionadas a continuación.

Se redujo la concentración de las sustancias indicadas disueltas en el agua que ingresa en el sistema a una concentración menor o igual al límite permitido para el agua descargada del electrodoméstico, según lo especificado en las normas NSF/ANSI 42 y 53.

Nota:

Si bien las pruebas fueron realizadas en condiciones estándares de laboratorio, el rendimiento real puede variar.



El sistema fue probado y certificado en los modelos 9000 077 095 y 9000 077 096 por NSF International de acuerdo con la Norma ANSI/NSF 53 con respecto a la reducción de quistes y de turbidez, así como de acuerdo con la Norma ANSI/NSF 42 con respecto a la reducción de gusto y olor a cloro.

Clase de partículas calificada:

I
739.68 galones (2,800 litros)

Vida útil de servicio calificada:

Sustancia	Entrada promedio	Concentración deseable especificada por NSF	Reducción promedio en %	Concentración promedio de agua del producto	Concentración de agua del producto máxima permitida	Requisitos de reducción de NSF	Informe de pruebas de NSF
Quistes *	122,500 quistes/l	Mínimo de 50,000 quistes/l	99.99	< 1 quiste/l	N/A	≥ 99.95%	J-00056513
Turbidez	10.8 NTU	11 ± 1 NTU	98.8	< 0.16 NTU	0.5 NTU	95.5%	J-00058972
Partículas nominales Clase I ≥ 0.5 a < 1 µm	13,666,666 partículas/ml	Al menos 10,000 partículas/ml	99.00	143,333 partículas/ml	N/A	≥ 85%	J-00056506
Gusto y olor a cloro	2.0 mg/l	2.0 mg/l ±10%	97.5	< 0.05 mg/l	N/A	≥ 50%	J-00056501

* Basado en el uso de ovoquistes de *Cryptosporidium parvum*.

Pautas de aplicación/Parámetros de suministro de agua:

Presión del agua 30 - 120 psi
(207 - 827 kPa)

Temperatura del agua 33 °F - 100 °F
(0.6 °C - 38 °C)

Flujo del servicio 0.75 gpm (2.83 lpm)

- El sistema debe instalarse y operarse de acuerdo con las pautas recomendadas por el fabricante.
- Cambie el filtro cada 6 meses.
- Lave profundamente el nuevo filtro durante 5 minutos.
- Puede encontrarse más información en la tarjeta de garantía.

NO use este producto con agua que sea insegura desde el punto de vista microbiológico o de calidad desconocida sin realizar una desinfección adecuada antes o después de la conexión al sistema. Pueden usarse sistemas certificados con respecto a la reducción de quistes en agua desinfectada que pueda contener quistes filtrables.

El sistema completo (excepto el cartucho desechable) está cubierto por una garantía de un año. El cartucho desechable está cubierto por la garantía con respecto a defectos en el material y en la elaboración únicamente. La vida útil de servicio del filtro desechable no está cubierta por la garantía, dado que la vida útil de servicio depende de las condiciones del agua local.

Puede obtener información más detallada sobre el precio de repuestos de su distribuidor de electrodomésticos o proveedor de piezas local.

Fabricado por:

Cuno Engineered Products
1000 Apollo Road
Eagan, MN 55121-2240 EE. UU.

Consejos para ahorro de energía

- Instale el electrodoméstico en una habitación seca y bien ventilada, pero no en la luz solar directa ni cerca de una fuente de calor (radiador, estufa, etc.). Use una placa de aislamiento, si es necesario.
- Deje que los alimentos y bebidas calientes se enfríen antes de colocarlos en el electrodoméstico.
- Cuando descongele alimentos congelados, colóquelos en el compartimiento del refrigerador. La baja temperatura de los productos congelados enfría los alimentos que se encuentran en el refrigerador.
- Abra y cierre las puertas del electrodoméstico lo más rápido posible.

Ruidos durante la operación

Ruidos normales

Zumbido: la unidad de refrigeración está funcionando. El ventilador en el sistema de circulación de aire está funcionando.

Ruidos de burbujas, aleteo o zabuqueo: el refrigerante está fluyendo por la tubería o el agua está fluyendo dentro de la máquina de hielo.

Pulsación: el motor se está encendiendo o apagando. La válvula solenoide de la conexión de agua se está abriendo o cerrando.

Ruido seco: cubos de hielo listos están cayendo en el recipiente para cubos de hielo desde la máquina de hielo.

Resolución de problemas de ruido simples

El electrodoméstico no está nivelado

Alinee el electrodoméstico usando un nivel. Use las patas de altura ajustable o coloque algún objeto debajo de las patas.

El electrodoméstico está tocando unidades o electrodomésticos adyacentes

Aleje el electrodoméstico de las unidades o los electrodomésticos adyacentes.

Cajones, cestos o áreas de almacenamiento flojos o atascados

Revise las piezas desmontables y, si es necesario, vuelva a introducir las.

Los receptáculos se están tocando

Separe levemente las botellas o los receptáculos.

Descongelamiento

Compartimiento del congelador

El sistema Nofrost (Antiescarcha) completamente automático asegura que el compartimiento del congelador permanezca sin hielo. Ya no es necesario realizar el descongelamiento.

Compartimiento del refrigerador

El descongelamiento se realiza en forma automática.

La condensación pasa a través del orificio de drenaje hacia una bandeja de evaporación que se encuentra en la parte trasera del electrodoméstico.

Apagado y desconexión del electrodoméstico

Apagado del electrodoméstico

Desenchufe el electrodoméstico o desconecte el fusible.

Desconexión del electrodoméstico

Si el electrodoméstico no se usa durante un período prolongado:

1. Es necesario que desconecte el suministro de agua al electrodoméstico durante unas horas antes de apagar el electrodoméstico.
2. Retire todos los alimentos del electrodoméstico.
3. Desenchufe el electrodoméstico.
4. Retire y deseche el cartucho filtrante.
5. Vacíe y limpie el recipiente para cubos de hielo.
6. Limpie el interior del electrodoméstico (ver "Limpieza del electrodoméstico").

Para evitar olores, deje abiertas las puertas del electrodoméstico.

Limpieza



ADVERTENCIA

¡Riesgo de descarga eléctrica!

Desenchufe el electrodoméstico o desconecte el fusible antes de limpiar el electrodoméstico.



ATENCIÓN

Para evitar lesiones personales o daños a los bienes, siga estas indicaciones:

Nunca use un limpiador por chorro de vapor para limpiar el electrodoméstico.

No use agentes de limpieza ni solventes abrasivos ni ácidos.

Limpie las luces del panel de control y de la pantalla con un paño húmedo únicamente. No permita que el agua usada para limpiar caiga dentro de las luces ni del panel de control y de la pantalla.

No permita que el agua de limpieza pase por el orificio de drenaje y llegue al área de evaporación.

Nunca limpie los estantes y los recipientes en un lavavajillas. Las piezas pueden combarse.

Limpieza del electrodoméstico

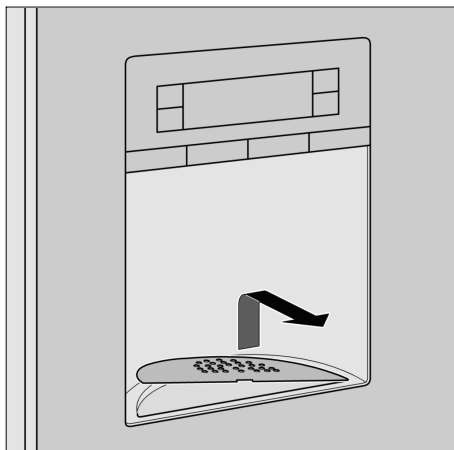
Los compartimientos Vita Fresh y el cajón para fiambres pueden retirarse para limpiarlos.

1. Desenchufe el electrodoméstico o desconecte el fusible.
2. Retire todos los alimentos del electrodoméstico y almacénelos en un lugar fresco.
3. Limpie el electrodoméstico con un paño suave, usando agua templada y una pequeña cantidad de detergente líquido con pH-balanceado.
4. Una vez realizada la limpieza, frote el electrodoméstico para secarlo.
5. Limpie el sello de la puerta sólo con agua limpia y, luego, seque completamente.
6. Después de la limpieza, vuelva a conectar el electrodoméstico para encenderlo.

Limpieza de la bandeja de recolección de agua

El agua derramada se recolecta en la bandeja de recolección de agua.

Retire el filtro para vaciar y limpiar. Limpie la bandeja de recolección de agua con una esponja o un paño absorbente.



Limpieza del recipiente para cubos de hielo

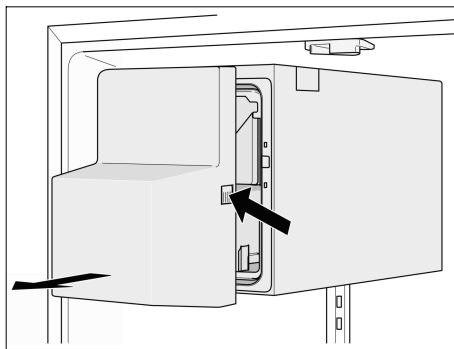
Los cubos de hielo se encogen, tienen un gusto rancio y se pegan si no son dispensados durante un período prolongado.

¡ATENCIÓN

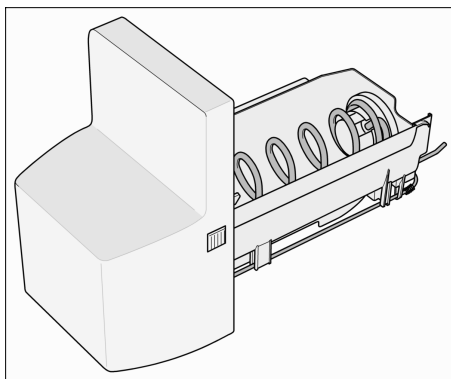
¡Riesgo de lesiones!

Un recipiente para cubos de hielo completamente lleno es muy pesado. Tenga cuidado al retirar el recipiente para cubos de hielo.

1. Presione el botón para abrir y retire el recipiente para cubos de hielo.



2. Vacíe el recipiente para cubos de hielo y límpielo con agua templada.



3. Seque completamente el recipiente y el transportador helicoidal para evitar que los nuevos cubos de hielo se peguen.

Introducción del recipiente para cubos de hielo

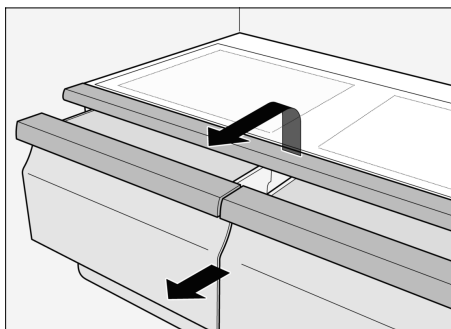
4. Empuje el recipiente para cubos de hielo completamente hacia atrás sobre los soportes hasta que se trabe en su posición.

NOTA

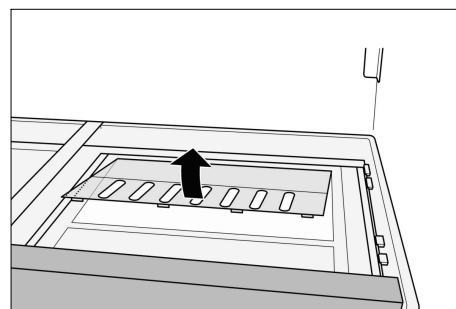
Si el recipiente no puede empujarse completamente hacia atrás, gire suavemente el transportador helicoidal o retire cualquier cubo de hielo que pueda haberse atascado en el área de inserción.

Cómo retirar el filtro especial para humedad

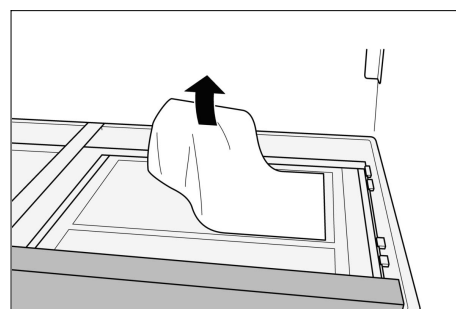
1. Jale los cajones Vita Fresh hacia afuera, aprox., 4 pulgadas (aprox. 10 cm).
2. Lleve hacia arriba la placa de vidrio que se encuentra encima de los cajones Vita Fresh y extráigalos.



3. Introduzca la mano entre las aberturas de la tapa, desenganche con cuidado las 4 muescas frontales y jale la tapa hacia afuera.



4. Retire el filtro especial para humedad.



5. Limpie el filtro especial para humedad con agua tibia y déjelo secar.
6. Inserte el filtro especial para humedad.
7. Vuelva a colocar la parte trasera de la tapa, muévala hacia abajo y asegúrese de que la parte frontal se enganche.
8. Inserte la placa de vidrio y cierre los cajones Vita Fresh.

Luz LED

El electrodoméstico tiene una luz LED que no requiere mantenimiento.

¡ATENCIÓN

¡Riesgo de lesión ocular provocada por la luz láser Clase 1M (IEC 60825)!

No mire directamente a la luz con instrumentos ópticos.

Estas luces deben ser reparadas únicamente por servicio a clientes o por técnicos autorizados.

Resolución de problemas menores

Antes de comunicarse con servicio a clientes:

- Verifique si puede resolver el problema usted mismo basándose en la siguiente información.

¡Servicio a clientes le cobrará por el asesoramiento, incluso si el electrodoméstico aún se encuentra en garantía!

Compartimiento del refrigerador y compartimiento del congelador

Problema	Causa posible	Medida correctiva
No se muestra nada en el panel de la pantalla, la luz interior no funciona y el electrodoméstico no funciona.	El cable de alimentación no está enchufado.	Enchufe el cable de alimentación.
	Se ha quemado el fusible o el disyuntor se ha desactivado.	Reemplace el fusible o restablezca el disyuntor. Verifique si hay electricidad en la toma de corriente.
	Corte de suministro eléctrico.	Espere hasta que se haya restablecido la alimentación eléctrica. Si es necesario, comuníquese con un electricista o con la compañía de servicios públicos.
La luz interior no funciona.	El interruptor de la luz del compartimiento del congelador o del refrigerador está atascado.	Verifique si el interruptor de la luz puede moverse.
	El foco LED está defectuoso.	Ver "Luz LED".
Los alimentos están demasiado fríos.	La temperatura se ha programado demasiado baja.	Ajuste a una temperatura más alta.
Los alimentos están demasiado calientes.	La puerta no cierra correctamente.	Alinee el electrodoméstico con un nivel. Ver "Alineación del electrodoméstico". Verifique la posición de los cajones y corrija, si es necesario. Verifique los sellos de la puerta y la varilla de la puerta plegable; si es necesario, limpie o corrija la posición.
	La temperatura se ha programado demasiado alta.	Seleccione una temperatura más baja.
	La abertura de ventilación está obstruida.	Retire cualquier alimento que pueda estar obstruyendo la abertura de ventilación.
	Las puertas se abrieron con mucha frecuencia o se abrieron durante un período prolongado.	Espere hasta que baje la temperatura del electrodoméstico.
	Se ha colocado una gran cantidad de alimentos frescos en el refrigerador.	Los alimentos frescos deben alcanzar primero la temperatura de almacenamiento correcta.
	Se colocaron alimentos con un olor fuerte en el refrigerador.	Envuelva los alimentos o colóquelos en un recipiente hermético.
El electrodoméstico tiene un olor desagradable.	El compartimiento interior está sucio.	Limpie el compartimiento interior.
	Se están formando gotas de agua en el exterior del electrodoméstico.	La puerta no cierra correctamente.
La humedad es demasiado elevada.		Esto puede ser normal en determinadas regiones.

Problema	Causa posible	Medida correctiva
Se están formando gotas de agua en el interior del electrodoméstico.	La humedad es demasiado elevada o las puertas se han abierto con mucha frecuencia.	No abra las puertas con mucha frecuencia o no las mantenga abiertas durante mucho tiempo.
	Los sellos de la puerta no están ajustados.	Verifique los sellos de la puerta y la varilla de la puerta plegable; si es necesario, limpie o corrija la posición.
Los cajones se pueden cerrar sólo con gran dificultad.	El cajón no se ha introducido correctamente.	Introduzca el cajón correctamente.
	Los rieles del cajón están sucios.	Limpie los rieles del cajón.

Dispensador de hielo y agua

Problema	Causa posible	Medida correctiva
El símbolo de filtro de agua titila.	El cartucho filtrante está viejo.	Reemplace el cartucho filtrante.
	Después de reemplazar el cartucho filtrante, no se reprogramó el símbolo de filtro de agua.	Re programe el símbolo de filtro de agua.
La máquina de hielo no está fabricando la cantidad suficiente de cubos de hielo o los cubos de hielo están deformados.	El electrodoméstico o la máquina de hielo se han encendido recientemente.	Transcurren, aproximadamente, 24 horas hasta que se comienza a fabricar el hielo.
	Se ha sacado una gran cantidad de hielo.	Transcurren, aproximadamente, 24 horas hasta que el recipiente de almacenamiento de hielo vuelve a llenarse.
	La presión de agua es demasiado baja.	Verifique la presión del agua.
La máquina de hielo no está fabricando la cantidad suficiente de cubos de hielo o no está fabricando cubos de hielo.	El cartucho filtrante está tapado o viejo.	Reemplace el cartucho filtrante.
	Un cubo de hielo está atascado en el brazo que mide el nivel de hielo en el recipiente para cubos de hielo.	Retire el recipiente para cubos de hielo y quite los cubos de hielo atascados con una herramienta de plástico sin filo. No use objetos filosos ni puntiagudos, ya que esto podría dañar el electrodoméstico.
	Al cambiar de cubos de hielo a hielo picado, es posible que un cubo de hielo quede atascado en la abertura del dispensador. El cubo de hielo comenzará a derretirse, y el agua caerá en el dispensador de hielo y agua.	Quite el cubo de hielo atascado de la abertura del dispensador usando una herramienta de plástico sin filo. No use objetos filosos ni puntiagudos, ya que esto podría dañar el electrodoméstico.
El recipiente para cubos de hielo contiene cubos de hielo que no están siendo dispensados.	Hay una capa de hielo en el transportador helicoidal.	Retire y limpie el recipiente para cubos de hielo.
	Los cubos de hielo están congelados uno cerca del otro.	Retire y limpie el recipiente para cubos de hielo.
La máquina de hielo no está fabricando cubos de hielo.	La máquina de hielo está apagada.	Encienda la máquina de hielo.
	No se está suministrando agua al electrodoméstico.	Solicite a un técnico calificado que verifique la conexión de agua.
	La línea de la conexión de agua tiene torceduras.	Cierre el suministro de agua. Enderece las torceduras. Reemplace las líneas de la conexión de agua dañadas con piezas originales del fabricante.
	La presión de agua es demasiado baja.	Verifique la presión del agua.
	El recipiente para cubos de hielo no está introducido correctamente.	Introduzca el recipiente para cubos de hielo correctamente.
La conexión de agua no está instalada correctamente.	Si la conexión de agua no está instalada correctamente, esto puede provocar baja presión de agua y puede dañar el electrodoméstico.	

Problema	Causa posible	Medida correctiva
El dispensador de agua dispensa muy poca agua o no dispensa agua en absoluto.	El cartucho filtrante está tapado o viejo.	Reemplace el cartucho filtrante.
	La presión de agua es demasiado baja.	Verifique la presión del agua.
	La válvula de cierre no está completamente abierta.	Ajuste la válvula de cierre por estar completamente abierta.
El agua dispensada no está fría.	La línea de la conexión de agua tiene torceduras.	Cierre el suministro de agua. Enderece las torceduras. Reemplace las líneas de la conexión de agua dañadas con piezas originales del fabricante.
	El electrodoméstico fue recientemente instalado.	Transcurren, aproximadamente, 12 horas hasta que el agua se enfría.
El agua está turbia.	El agua ha permanecido en las líneas durante un período prolongado y se ha ajustado a la temperatura ambiente.	Llene 15 vasos de agua y deséchelos.
	Aire o burbujas de aire en el agua.	Esto es normal al usar el dispensador de agua por primera vez y desaparece después de un período breve.
Hay partículas que flotan en el agua o están suspendidas en los cubos de hielo.	La primera vez que el agua fluye a través del cartucho filtrante, puede contener polvo de carbono proveniente del cartucho filtrante.	¡Estas partículas suspendidas no son peligrosas! Desaparecen después de un período breve.
	Las partículas suspendidas se forman como consecuencia de depósitos minerales cuando el agua se congela y luego se deja descongelar.	¡Estas partículas suspendidas no son peligrosas! Esto se produce en el suministro de agua en forma natural.

Servicio a clientes

Antes de comunicarse con servicio a clientes:

Determine si puede resolver el problema usted mismo basándose en la información de la sección "Resolución de problemas menores".

Si esta información no resuelve el problema, puede obtener ayuda adicional comunicándose con el servicio a clientes de Bosch.

EE. UU.:

Comuníquese con el Centro de Interacción de Clientes de Bosch llamando al 1-800-944-2904 (llamada gratuita).

Canadá:

Comuníquese con su compañía de servicio técnico de Bosch Canada designada o llame al 1-800-944-2904.

A fin de poder brindarle una mejor asistencia, anote la información sobre su electrodoméstico que se encuentra a continuación para referencia futura:

Nombre del distribuidor

Dirección

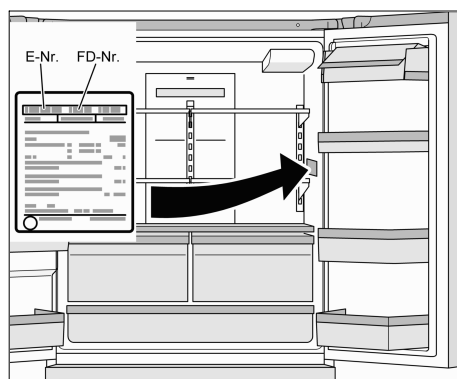
Número de teléfono

Fecha de compra


Número de modelo (número E)

Número de serie (número FD)

Proporcione a servicio a clientes el número de modelo (número E) y el número de serie (número FD) del electrodoméstico.



Puede encontrar esta información en la placa de valores nominales que se encuentra dentro del compartimiento del refrigerador, del lado derecho.



BSH Home Appliances Corporation

5551 McFadden Avenue

Huntington Beach, CA 92649