



Register your new Bosch now:  
[www.bosch-home.com/welcome](http://www.bosch-home.com/welcome)



**Fridge-freezer  
KID..**



**BOSCH**

**en** User manual

---

## en Index

Information concerning disposal .....	3	The freezer compartment .....	10
Safety and warning information .....	3	Storing frozen food and making ice cubes .....	10
Getting to know your appliance .....	5	Freezing fresh food .....	11
Fascia .....	6	Freezing food .....	11
Note ambient temperature and ventilation .....	6	Fast freezing .....	12
Installing the appliance .....	7	Defrosting frozen produce .....	12
Connecting the appliance .....	7	Switching off and disconnecting the appliance .....	13
Switching on the appliance .....	8	Defrosting .....	13
Selecting the temperature .....	8	Cleaning the appliance .....	14
Storing of food .....	9	Tips for saving energy .....	15
Usable capacity .....	9	Operating noises .....	15
Interior fittings of refrigerator compartment .....	9	Eliminating minor faults yourself .....	16
Sticker "OK" .....	10	Customer service .....	17

## Information concerning disposal

### Disposal of packaging

The packaging protects your appliance from damage during transit. All packaging materials are environmentally friendly and recyclable. Please contribute to a better environment by disposing of packaging materials in an environmentally-friendly manner.

Please ask your dealer or inquire at your local authority about current means of disposal.

### Disposal of your old appliance

Old appliances are not worthless rubbish! Valuable raw materials can be reclaimed by recycling old appliances.



This appliance is labelled in accordance with European Directive 2002/96/EG concerning used electrical and electronic appliances (waste electrical and electronic equipment - WEEE). The guideline determines the framework for the return and recycling of used appliances as applicable throughout the EU.

### Warning

Redundant appliances:

1. Pull out the mains plug.
2. Cut off the power cord and discard with the mains plug.

Refrigerators contain refrigerants and the insulation contains gases. Refrigerant and gases must be disposed of properly. Ensure that tubing of the refrigerant circuit is not damaged prior to proper disposal.

## Safety and warning information

### Before you switch ON the appliance

Please read the operating and installation instructions carefully.

They contain important information on how to install, use and maintain the appliance.

Keep all documentation for subsequent use or for the next owner.

### Technical safety

- This appliance contains a small quantity of environmentally-friendly but flammable R600a refrigerant. Ensure that the tubing of the refrigerant circuit is not damaged during transportation and installation. Leaking refrigerant may cause eye injuries or ignite.

### If damage has occurred

- Keep naked flames and/or ignition sources away from the appliance.
- Thoroughly ventilate the room for several minutes.
- Switch off the appliance and pull out the mains plug or switch off the fuse.
- Notify customer service.

The more refrigerant an appliance contains, the larger the room must be. Leaking refrigerant can form a flammable gas-air mixture in rooms which are too small.

The room must be at least 1 m<sup>3</sup> per 8 g of refrigerant. The amount of refrigerant in your appliance is indicated on the rating plate inside the appliance.

- Only customer service may change the power cord and carry out any other repairs. Improper installations and repairs may put the user at considerable risk.

## Important information when using the appliance

- Never use electrical appliances inside the appliance (e. g. heaters, electric ice makers, etc.). **Risk of explosion!**
- Never use a steam cleaner to defrost or clean the appliance. The steam may penetrate electrical parts and cause a short-circuit.  
**Risk of electric shock!**
- Do not use pointed or sharp-edged implements to remove frost or layers of ice.  
You could damage the refrigerant tubing. Leaking refrigerant may ignite or cause eye injuries.
- Do not store products which contain flammable propellants (e. g. spray cans) or explosive substances in the appliance. **Explosion hazard!**
- Do not stand or support yourself on the base, drawers or doors, etc.
- Before defrosting or cleaning the appliance, switch off the appliance, pull out the mains plug or switch off the fuse.  
Pull on the mains plug, not on the power cord.
- Bottles which contain a high percentage of alcohol must be sealed and stored in an upright position.
- Keep plastic parts and the door seal free of oil and grease. Otherwise, parts and door seal will become porous.
- Never cover or block the ventilation openings for the appliance.
- People who have limited physical, sensory or mental abilities or inadequate knowledge must not use this appliance unless they are supervised or given meticulous instructions.
- Bottled or canned drinks (especially carbonated beverages) must NEVER be stored in the freezer compartment. Bottles and tins will explode!
- Do NOT put ice lollies or ice cubes directly from the freezer compartment into your mouth.  
**Risk of burns** from very low temperatures.
- NEVER touch frozen food with wet hands. Your hands could freeze to the food!
- Do NOT scrape off hoarfrost or dislodge frozen food which is stuck to the freezer compartment with a knife or pointed implement.  
You could damage the refrigerant tubing.  
Leaking refrigerant may ignite or cause eye injuries.

## Children in the household

- Keep children away from packaging and its parts. Danger of suffocation from folding cartons and plastic film!
- Do not allow children to play with the appliance!
- If the appliance features a lock, keep the key out of the reach of children.

## General requirements

The appliance is suitable

- for refrigerating and freezing food,
- for making ice.

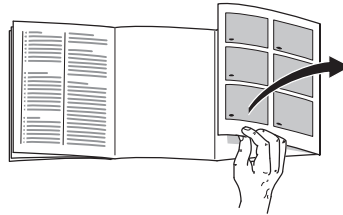
The appliance is designed for domestic use.

The appliance has been interference-suppressed in compliance with EU Directive 2004/108/EC.

The refrigerant circuit has been tested for leaks.

This product complies with the relevant safety regulations for electrical appliances (EN 60335/2/24).

## Getting to know your appliance



Please fold out the illustrated back page. These operating instructions refer to several models.

Diagrams may vary.

### Figure 1

- 1 Light switch
  - 2 Fascia/interior light
  - 3 Shelves in the refrigerator compartment
  - 4 Vegetable container
  - 5 Butter and cheese compartment
  - 6 Egg rack
  - 7 Shelf for tubes and small tins
  - 8 Shelf for large bottles
- 
- A Freezer compartment
  - B Refrigerator compartment

## Fascia

Fig. 2

### 1 Main On/Off switch

Switches the whole appliance on and off.

### 2 “super” button

Switches super freezing on and off. When the yellow lamp is lit, this indicates that fast cooling has started.

### 3 Temperature display lamp

The figures next to the green lights indicate refrigerator compartment-temperatures in °C.

### 4 Temperature selection button

Press the button until the required temperature display lights illuminates.

## Note ambient temperature and ventilation

The climatic class can be found on the rating plate. It specifies the ambient temperatures at which the appliance may be operated. The rating plate is located at the bottom left-hand side inside the fridge.

Climatic category	Permitted ambient temperature
<b>SN</b>	+10 °C to 32 °C
<b>N</b>	+16 °C to 32 °C
<b>ST</b>	+16 °C to 38 °C
<b>T</b>	+16 °C to 43 °C

### Note

At ambient temperatures below + 20 °C and during “fast freezing” the interior light may glow at a reduced luminosity when the door is almost closed (or light switch pressed). This is quite normal and can be ignored.

## Ventilation

The air at the back of the appliance will heat up. This warm air must be allowed to freely escape, otherwise the refrigerating machine must perform more. This raises electricity consumption. Hence, the air-inlet and outlet apertures should never be covered or blocked off!

## Installing the appliance

Install the appliance in a dry, well ventilated room. The installation location should neither be exposed to direct sunlight nor near a heat source, e.g. a cooker, radiator, etc. If installation next to a heat source is unavoidable, use a suitable insulating plate or observe the following minimum distances to a heat source:

- 3 cm to electric or gas cookers.
- 30 cm to an oil or solid-fuel cooker.

## Connecting the appliance

After installing the appliance, wait at least 1 hour until the appliance starts up. During transportation the oil in the compressor may have flowed into the refrigeration system.

Before switching on the appliance for the first time, clean the interior of the appliance (see chapter Cleaning).

The socket should be freely accessible. Connect the appliance only to 220–240 V/50 Hz alternating current via a correctly installed earthed socket. The socket must be fused with a 10 A to 16 A fuse.

If the appliance is to be operated in a non-European country, check on the rating plate whether the indicated voltage and current type correspond to the values of your mains supply. The rating plate is situated in the bottom left-hand side of the appliance. The power cord may be replaced by a technician only.

### **Warning**

Never connect the appliance to electronic energy saver plugs or to power inverters which convert the direct current to 230 V alternating current (e.g. solar equipment, power supplies on ships).

---

## Switching on the appliance

### Fig. 2

Press main switch **1**. The temperature display light flashes until the required temperature has been reached. The appliance starts cooling, the interior light is switched on when the door is open.

We recommend a setting of +4 °C.

Perishable food should not be stored warmer than +4 °C.

---

## Selecting the temperature

### Fig. 2

Press the button **4** until the required temperature lamp illuminates.

The lit lamp indicates the selected temperature.

### Note

Colder temperatures which are set in the refrigerator compartment will also cause lower temperatures in the freezer compartment.

## Operating information

### The temperature in the refrigerator compartment becomes warmer:

- If the appliance door is opened frequently
- If large amounts of food are inserted.

### Condensation droplets or hoarfrost in the refrigerator compartment

While the refrigerating unit is running, condensation droplets or hoarfrost form on the rear panel of the refrigerator compartment. This is normal.

It is NOT necessary to wipe off the condensation droplets or the hoarfrost. The rear panel defrosts automatically. The condensation flows into the drainage channel **Fig. 3** and is conveyed to the refrigerating unit where it evaporates.

## Storing of food

### Take note of the cold zones in the refrigerating zone!

Due to the air circulation in the refrigerating zone, zones with different temperatures are produced:

- **Coldest zones**  
is between the arrow stamped on the side and the glass shelf situated below, **Fig. 4**.

Note: Store perishable food (e.g. fish, sausage, meat) in the coldest zones.

- **Warmest zone**  
is at the very top of the door.

Note: Store the following in the warmest zone, e.g. cheese and butter. When serving, the cheese keeps its aroma and the butter remains spreadable.

### When storing the food, note

that food is well wrapped or covered over. In this way, the aroma, colour and freshness remain. Apart from which, the transfer of taste and drying of plastic parts is avoided.

### We recommend that you arrange the food inside the refrigerator as follows:

- **In the freezer compartment:** Frozen food, ice cubes, ice cream.
- **on the shelves in the main refrigerator section** (from the top down): bakery products, ready-to-eat items, dairy products, meat and salami
- **in the vegetable containers:** vegetables, lettuce, fruit
- **in the door racks** (from the top down): butter, cheese, eggs, tubes, small bottles, large bottles, milk and fruit-juice cartons.

## Usable capacity

Information on the usable capacity can be found inside your appliance on the rating plate.

## Interior fittings of refrigerator compartment

You can vary the shelves inside the refrigerator compartment and the door shelves as and when required: Pull the shelf forwards, lower and swing out to the side, **Fig. 5**. Raise the door shelf and remove, **Fig. 6**.

## Special features

not all models

### “Vario” shelf

#### Fig. 7

Remove the front half of the split glass panel and insert into the groove situated below. Tall produce can then be placed on the shelf underneath (e.g. jugs, bottles).

### Bottle holder

#### Fig. 8

The bottle holder prevents bottles from falling over when the door is opened and closed.

### Drawer for cold meats and cheese

#### Fig. 9

To remove the drawer, lift and pull out. The holder can be moved.

## Sticker “OK”

not all models

The “OK” temperature monitor can be used to determine temperatures below +4 °C. Gradually reduce the temperature if the sticker does not indicate “OK”.

### Note

When the appliance is switched on, it may take 12 hours until the temperature is reached.



Correct setting



Temperature too high, reduce temperature.

## The freezer compartment

### Use the freezer compartment

- To store frozen food
- To make ice cubes
- To freeze small quantities of food

### Note

The freezer-compartment door shuts with a “click”.

Ensure that the freezer-compartment door is always kept closed! If the door is open, the frozen food will thaw. The freezer compartment will become covered in thick ice. Furthermore, energy will be wasted due to high power consumption!

## Storing frozen food and making ice cubes

### When you buy frozen goods:

- Check that the packaging is not damaged in any way.
- Check the “Best before”-date.
- The temperature in the freezer cabinet in the shop should be colder than –18 °C. If it is not the storage life of the frozen goods will be reduced.
- When you are out shopping, buy frozen products last of all and transport them to your home wrapped in newspaper or in a cool-bag.
- When you get home, put the frozen products straight into the freezer compartment and close the door carefully. Consume the frozen products before the “Best before” -date.
- Do NOT refreeze food which is beginning to defrost or which has already defrosted. Only food which is subsequently cooked may be refrozen.

### Making ice cubes

#### Fig. 10

Fill the ice-cube tray  $\frac{3}{4}$  full of water and place in the bottom of the freezer compartment. If the ice-cube tray is stuck to the freezer compartment, dislodge with a blunt implement only (spoon handle).

To loosen the ice cubes, hold the tray briefly under running water or twist the tray slightly.

## Freezing fresh food

### Freezing food yourself

If you are freezing food yourself, use only fresh, undamaged food.

#### **The following foods are suitable for freezing:**

Meat and sausage products, poultry and game, fish, vegetables, herbs, fruit, cakes and pastries, pizza, ready meals, leftovers, egg yolk and egg-white.

#### **The following foods are not suitable for freezing:**

Eggs in shells, soured cream and mayonnaise, green salads, radishes and onions.

#### **Blanching vegetables and fruit**

To retain colour, flavour, aroma and vitamin C, vegetables and fruits should be blanched prior to freezing. Blanching is the brief immersion of vegetables and fruit in boiling water. Literature on freezing and blanching is available in bookshops.

## Freezing food

Freeze fresh, undamaged food only.

Keep food which is to be frozen away from food which is already frozen.

To prevent food from losing its flavour or drying out, place in airtight containers.

### Max. freezer capacity

Information about the max. freezing capacity within 24 hours can be found on the rating plate.

### How to wrap food correctly:

1. Place the food in the wrapping.
2. Press out air.
3. Seal the wrapping.
4. Label the wrapping with the contents and date.

#### **The following products are suitable for wrapping food:**

Plastic film, polyethylene blown film, aluminium foil and freezer tins. These products can be purchased from your dealer.

#### **The following products are not suitable for wrapping food:**

Wrapping paper, greaseproof paper, cellophane, refuse bags and used shopping bags.

#### **The following products are suitable for sealing the wrapped food:**

Rubber bands, plastic clips, string, cold-resistant adhesive tape or similar. Bags and polyethylene blown film can be sealed with a film sealer.

## Storage duration of the frozen food

Depends on the type of food.

At a mean temperature:

- Fish, sausage, ready meals and cakes and pastries:  
up to **6 months**
- Cheese, poultry and meat:  
up to **8 months**
- Vegetables and fruit:  
up to **12 months**

## Fast freezing

Food should be frozen solid as quickly as possible in order to retain vitamins, nutritional value, appearance and flavour.

To prevent an undesirable temperature rise when placing fresh food in the freezer compartment, switch on fast freeze several hours beforehand.

Smaller quantities of food can be frozen without fast freeze.

### Switching on and off

#### Fig. 2

Press “super” button **2**.

If the superfreezing has been switched on the button is lit.

#### Note

“Fast freeze” may also slightly increase refrigeration of the refrigerator compartment.

## Defrosting frozen produce

Depending on the type of food and intended use, frozen produce can be defrosted:

- At room temperature,
- In a refrigerator,
- In an electric oven, with/without fan assisted hot-air,
- In a microwave

#### Note

Do NOT refreeze food which is beginning to defrost or which has already defrosted. Only food which is subsequently prepared (cooked or fried) may be refrozen.

No longer store the frozen produce for the max. storage period.

---

## Switching off and disconnecting the appliance

### Switching off the appliance

Press the main switch **Fig. 2/1**.  
Refrigerating unit and interior light switch off.

### Disconnecting the appliance

If the appliance is not to be used for a prolonged period:

1. Switching off the appliance.
2. Pull out the mains plug or switch off the fuse.
3. Cleaning the appliance.
4. Leave the appliance door open.

---

## Defrosting

### Freezer section

The freezer compartment does not defrost automatically. A layer of hoarfrost in the freezer compartment will impair refrigeration of the frozen food and increase power consumption. Regularly defrost the freezer compartment.

#### Attention!

Do not scrape off hoarfrost or ice with a knife or pointed object. You could damage the refrigerant tubes. Leaking refrigerant may ignite or cause eye injuries.

#### Proceed as follows

1. Remove the frozen food and store temporarily in a cool location.
2. Switch off the appliance.
3. Pull out the mains plug or switch off the fuse.
4. Leave the appliance to defrost.
5. Wipe up the condensation and rub dry.
6. Switch on the appliance again.
7. Put the frozen food back in the freezer compartment.

## Defrosting aids

You can accelerate the defrosting process by placing a pan of hot water in the freezer compartment. Place the pan on a heat-insulating base!

### Warning!

Never use electrical appliances or naked flames to defrost the freezer compartment, e.g. heaters, steam cleaners, candles, kerosene lamps, etc.

### Caution when using defrosting sprays:

- Defrosting sprays may form explosive gases.
- Defrosting sprays may contain solvents or propellants which attack plastic.
- Defrosting sprays may be a health hazard.

Follow the manufacturer's instructions.

## Refrigerator compartment defrosts fully automatically

While the refrigerating unit is running, beads of condensation or hoarfrost form at the back of the refrigerator compartment. This is quite normal. It is not necessary to wipe off the condensation or frost. The rear panel defrosts automatically. The condensation runs into the condensation channel **Fig. 3** and is conveyed to the refrigerating unit where it evaporates.

Note: Keep the condensation channel and drain hole clean so that the condensation can drain.

## Cleaning the appliance

Before cleaning the appliance, pull out the mains plug or switch off the fuse!

Wipe the door seal with clear water only and then wipe dry thoroughly.

Clean the appliance with lukewarm water and a little washing-up liquid. The rinsing water must not run into the light.

The rinsing water must not run through the drainage hole into the evaporation pan.

After cleaning: reconnect and switch on the appliance.

### Attention!

- Do not use abrasive or acidic cleaning agents and solvents.
- Never clean the shelves or containers in the dishwasher. The parts may warp!
- Regularly clean the condensation channel and drainage hole, **Fig. 3**, so that the condensation can flow out. Clean the condensation channel with cotton buds, etc.

## Tips for saving energy

- Install the appliance in a dry, well ventilated room, but not in direct sunlight and not near a heat source (e.g. radiator, cooker, etc.). If required, use an insulating plate.
- Allow warm food and drinks to cool down before placing in the appliance!
- When thawing frozen products, place them in the refrigerator. The low temperature of the frozen products cools the food in the refrigerator.
- Open and close the door as briefly as possible.
- A layer of hoarfrost in the freezer compartment will impair refrigeration of the frozen food and increase power consumption. Defrost the appliance if frost forms!
- Ensure that the freezer compartment door has been closed properly.
- Occasionally clean the rear of the appliance with a vacuum cleaner or paint brush to prevent an increased power consumption.

## Operating noises

### Normal noises

**Humming** – refrigerating unit is running.

**Bubbling, gurgling or whirring noises** – refrigerant is flowing through the tubing.

**Clicking** – motor is switching on or off.

### Preventing noises

#### **The appliance is not level**

Please align the appliance with a spirit level. Use the height-adjustable feet or place something under the feet.

#### **The appliance is not free-standing**

Please move the appliance away from adjacent units or appliances.

#### **Drawers or storage areas wobble or stick**

Please check the removable parts and, if required, reinsert them.

#### **Bottles or receptacles are touching each other**

Please move bottles or receptacles away from each other.

## Eliminating minor faults yourself

### Before you call customer service:

Please check whether you can eliminate the fault yourself based on the following information.

Customer service will charge you for advice, even if the appliance is still under guarantee!

Fault	Possible cause	Remedial action
Temperature differs greatly from the set value.		<p>In some cases it is adequate to switch off the appliance for 5 minutes.</p> <p>If the temperature is too <b>high</b> wait a few hours and check whether the temperature has approached the set value.</p> <p>If the temperature is too <b>low</b> check the temperature again the next day.</p>
Interior light does not function.	The bulb is defective.	<p>Change the bulb <b>Fig. 11/B</b>.</p> <ol style="list-style-type: none"> <li>1. Pull out the mains plug or disconnect the fuse.</li> <li>2. Remove bulb cover towards the rear.</li> <li>3. Change the bulb. (replacement bulb max. 25 W, 220–240 V a.c., E14 lampholder)</li> </ol>
	Light switch is sticking. <b>Fig. 11/A</b>	Check whether it can be moved.
Temperature display lamp flashes <b>Fig. 2/3</b> . (The freezer compartment is too warm)	Appliance door opened frequently.	Do not open the door unnecessarily.
	A lot of food was placed in the freezer.	
	The ventilation openings have been covered.	Remove obstacles.
The frozen food is frozen solid.		<p>Loosen frozen food with a blunt object. Do not use a knife or pointed object. You could damage the refrigerant tubing or the plastic surface.</p>

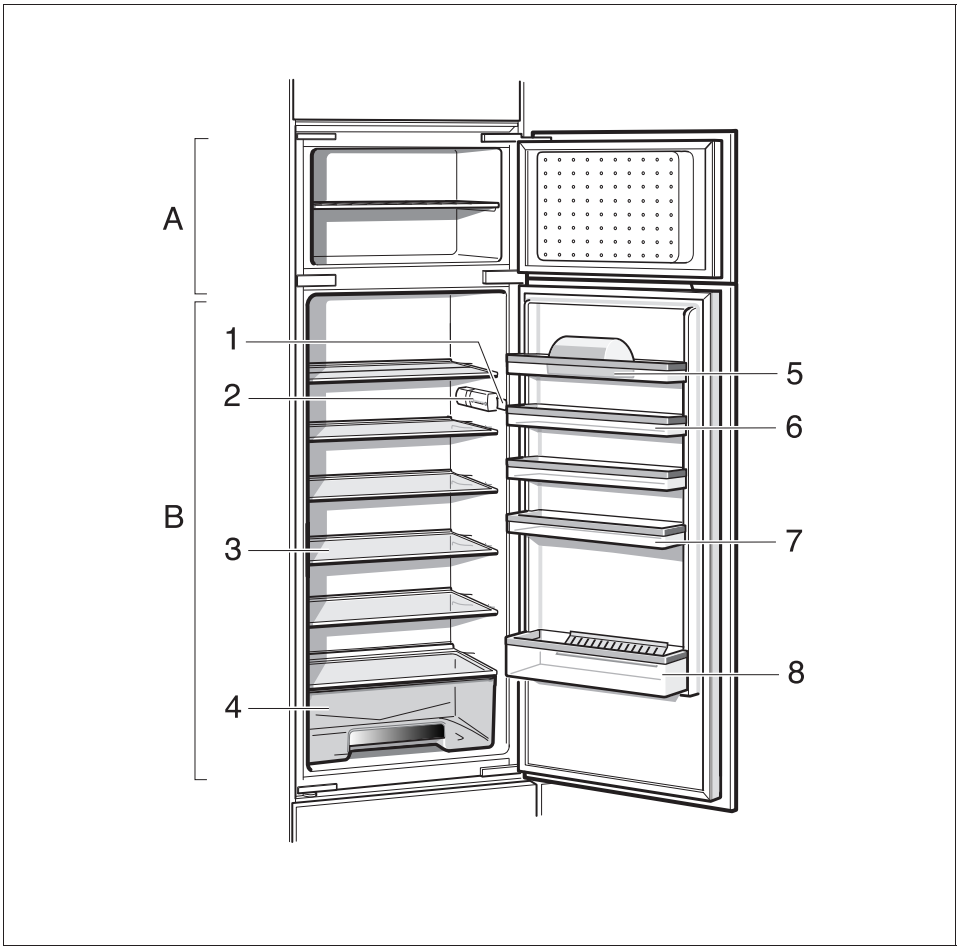
Fault	Possible cause	Remedial action
<b>There is a thick layer of frost in the freezer compartment.</b>		Defrosting the freezer compartment (see Defrosting). Always ensure that the freezer compartment door is closed properly.
<b>Floor of the refrigerator compartment is wet.</b>	The condensation outlet is blocked. <b>Fig. 3</b>	Clean the condensation channel and the outlet (see Cleaning the appliance)
<b>The temperature in the refrigerator compartment is too cold.</b>	The freezer compartment door has not been closed properly.	Close the freezer compartment door.
	If large quantities of fresh food are being frozen, the temperature in the refrigerator compartment drops temporarily, as the refrigerating unit runs for a long time.	Do not exceed max. freezing capacity.
	Temperature has been set too low.	Increase the temperature
<b>Refrigerator has no cooling capacity.</b>	The appliance main switch has not been switched on.	Press the appliance main switch.
	Power failure; the fuse has been switched off; the mains plug has not been inserted properly.	Check whether the power is on, check the fuses.

## Customer service

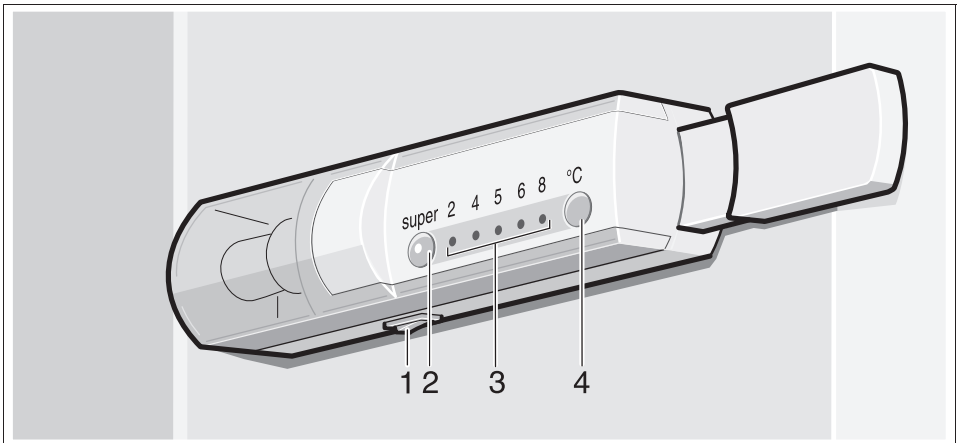
Please check your telephone book or the customer-service list for your nearest customer-service facility. When contacting customer service, please ALWAYS quote the product number (E-number) and production number (FD-number) of your appliance.

These numbers can be found on the rating plate. **Fig. 12**

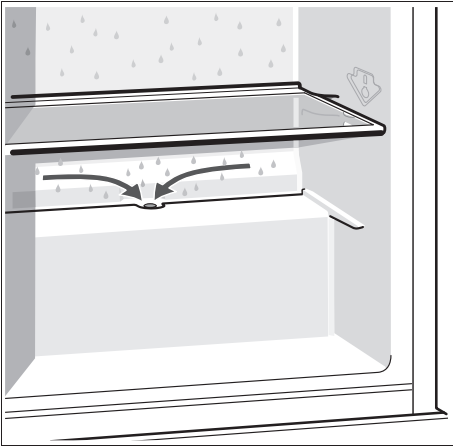
To prevent unnecessary call-outs, please assist customer service by quoting the product and production numbers. This will save you additional costs.



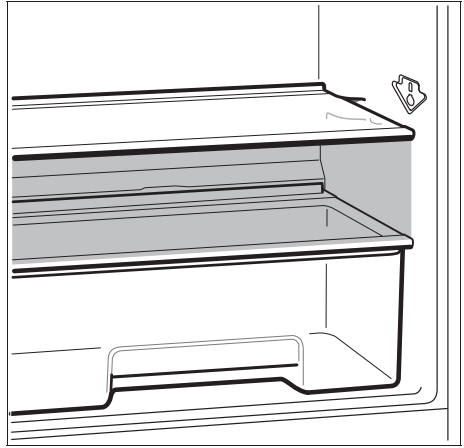
**1**



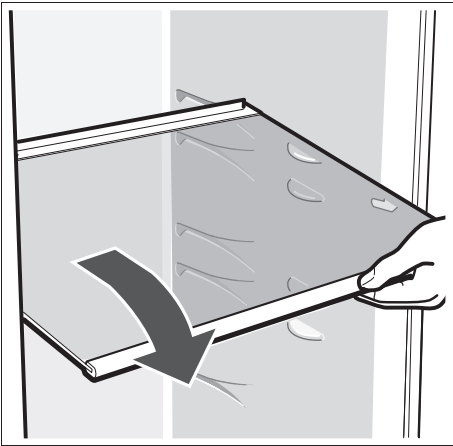
**2**



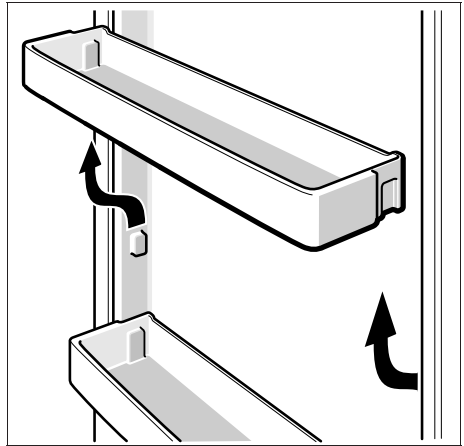
3



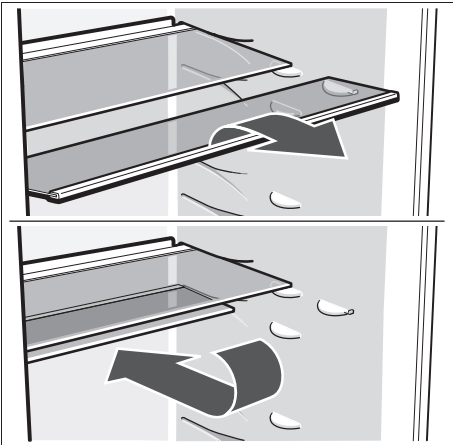
4



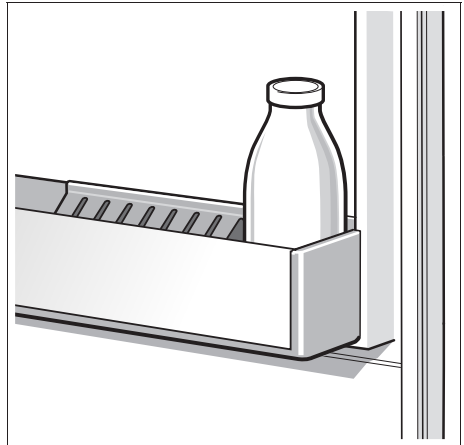
5



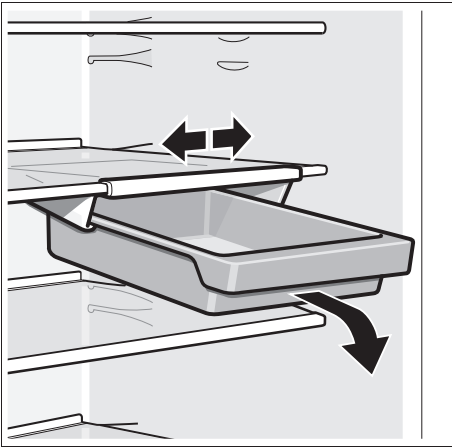
6



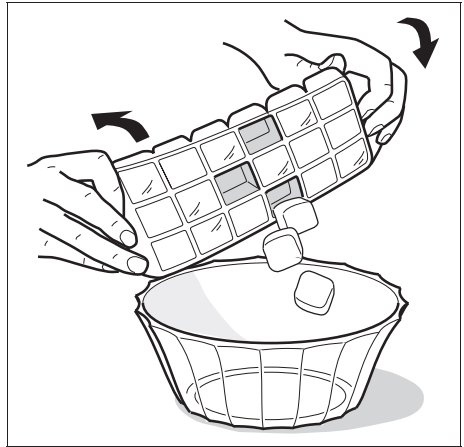
7



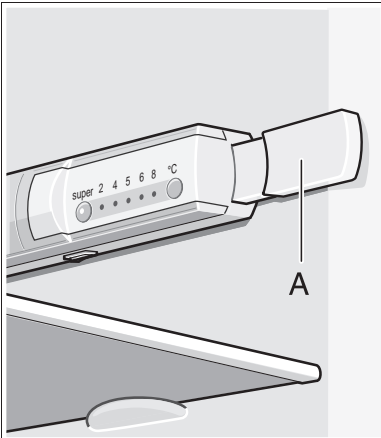
8



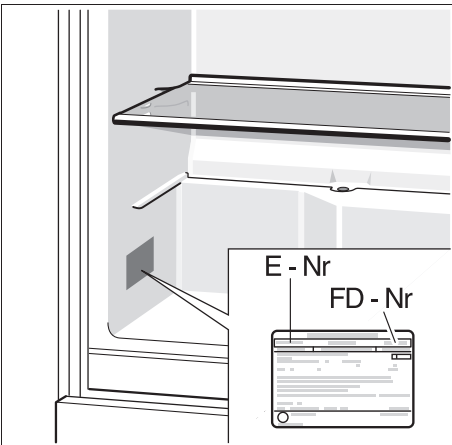
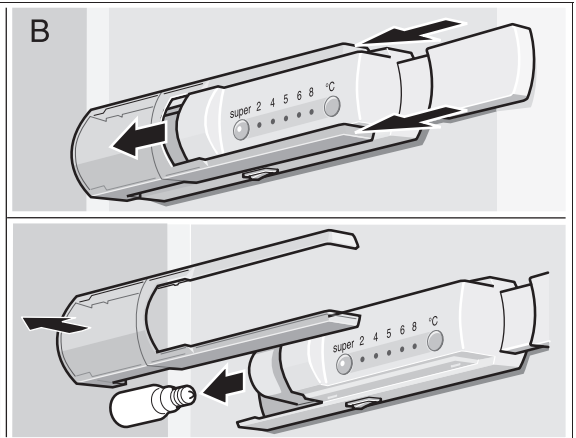
9



10



11



12

**Robert Bosch Hausgeräte GmbH**

Carl-Wery-Straße 34

81739 München

DEUTSCHLAND

**[www.bosch-home.com](http://www.bosch-home.com)**

**9000541532 (9409)**  
en