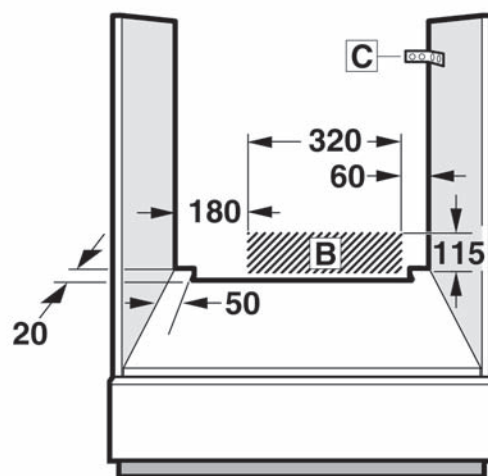
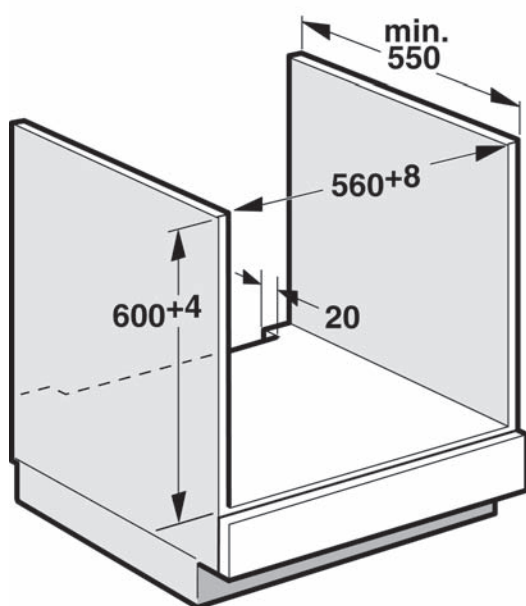
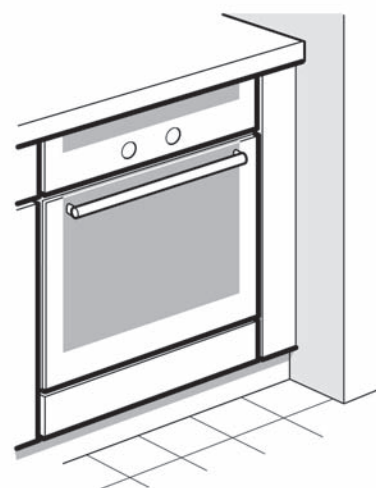
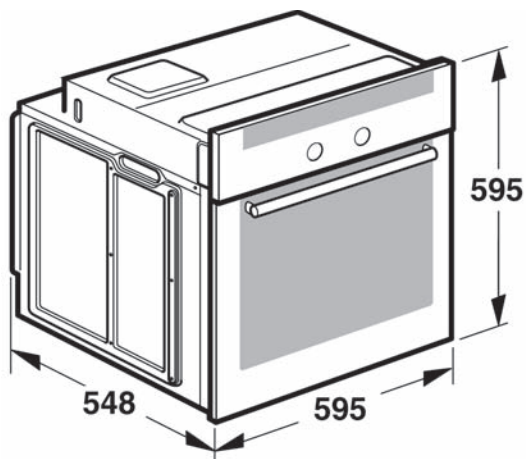


HB..

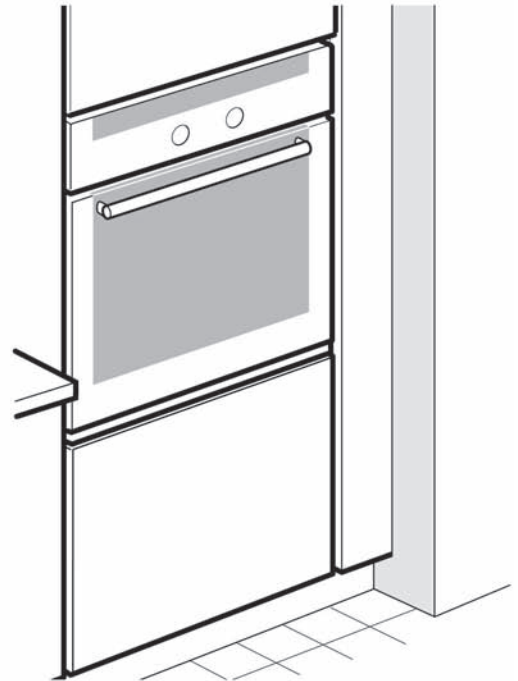
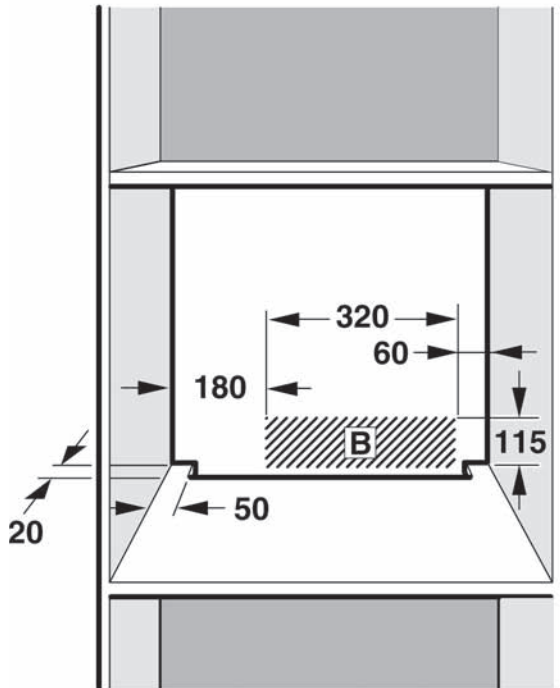
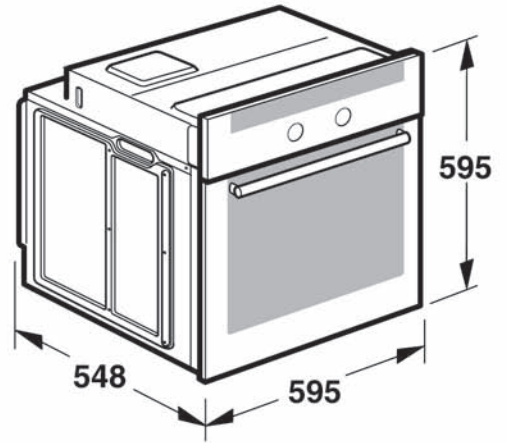
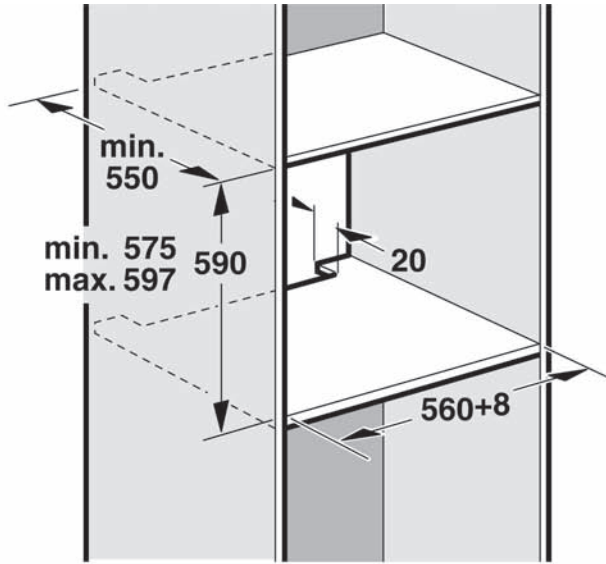
zh 安装说明
请保存

en Installation Instructions
please keep

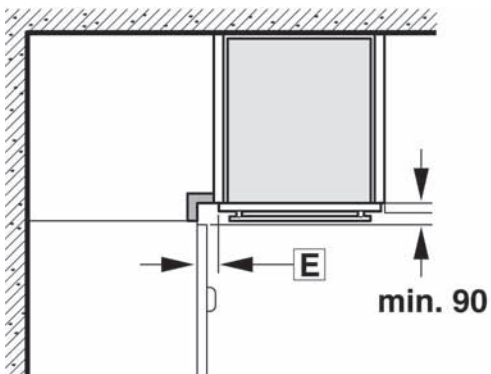
1



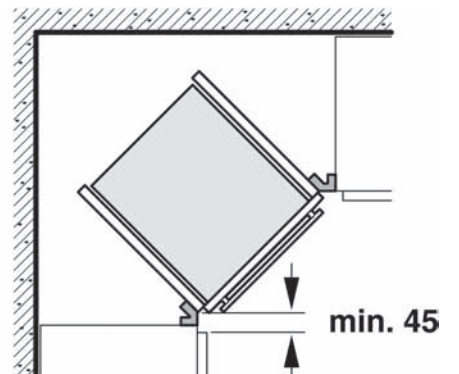
2



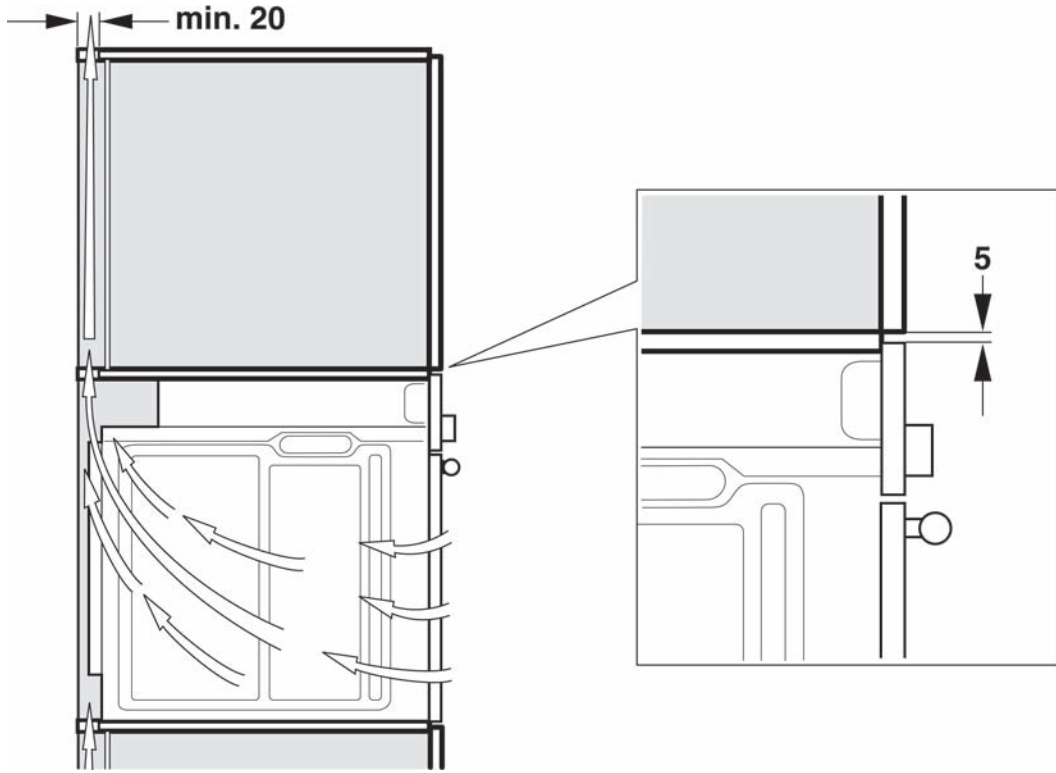
3



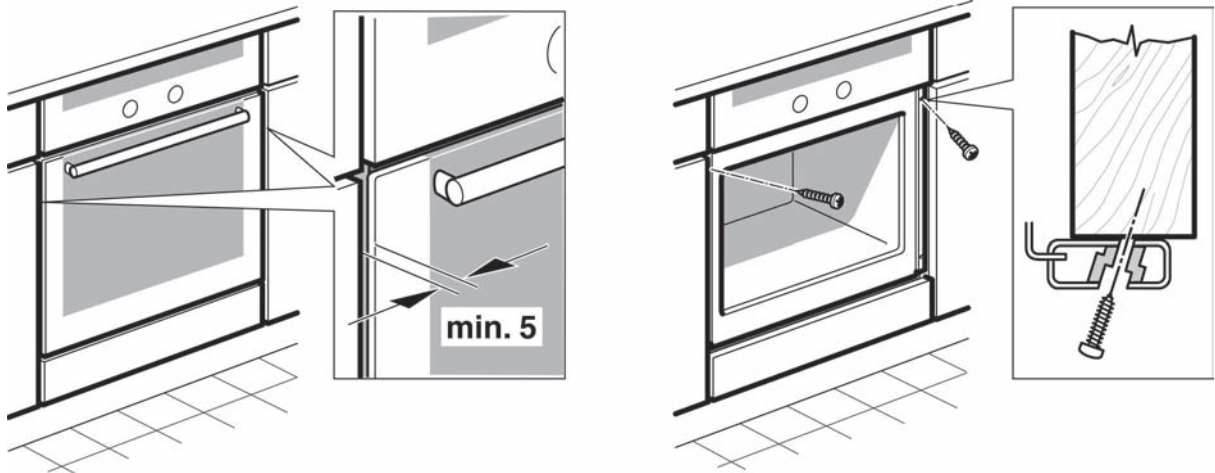
D



4



5



准备橱柜 - 图 1

■ 只有按照下列操作说明进行安装才能保证电器安全工作。由于安装不当导致的任何损失都由安装人员负责。

■ 安装橱柜必须能够承受高达 90 °C 的温度，相邻橱柜的面板能够承受高达 70 °C 的温度。

■ 在安装电器之前切割橱柜和工作表面。清除刨花，否则电气部件的功能会受影响。

■ 安装过程中要小心。在安装过程中碰得到的部件可能具有锋利的边缘。请戴上防护手套以防割伤。

■ 电器的电源插座必须位于阴影线区域 B 内，或远离安装空间。

■ 电器和周围橱柜面板之间需要有 5 mm 的间距。

■ 使用标准支架 C 将独立的橱柜固定至墙壁。

烤箱位于工作表面下方 - 图 1

必须在周围橱柜中间底板上加工通风口。

将橱柜操作面固定到所安装的橱柜上。如果要将烤箱嵌入安装到电磁灶下方，注意电磁灶安装说明。

电器位于高柜中

- 图 2+4

也可以将电器安装到高柜中。

中间底板和安装壁之间必须至少有大约 20 mm 的间距，以便为烤箱通风。

只能将电器安装在不会因为取用烤盘而引起问题的高度。

转角处安装

- 图 3

在转角处安装时，为了确保电器门可以打开，考虑尺寸 D。

尺寸 E 取决于手柄下方橱柜面板的厚度。

连接电器

只能使用所提供的电缆连接电器。将电源电缆连接到电器后部 (咔哒！)。

只能将电器连接至安装正确的带保护触点的插座中。

更长的电缆可以从售后服务部门获得。

只能用原制造商提供的电缆更换电源电缆，可以通过售后服务部门获得。

安装后，如果插头使用不便，则必须在安装侧安装一个全电极隔离开关，触点间隙至少为 3 mm。

安装方式必须确保良好的触点保护。

英国和澳大利亚：

电器为永久连接 3 线电缆设计。

只能由合格的电工连接电器。

在安装侧必须有一个全电极隔离开关，其触点间隙至少为 3 mm，以符合当前的安全规定。电源线中的电线颜色符合下面的规则：

黄绿色	地线
蓝色	中性线
褐色	火线

不要使用 13A 插头连接电器。

固定电器

- 图 5

■ 如有必要，安装间隔板。

■ 完全插入电器并使其居中放置。

■ 将电器螺丝拧到位。

■ 切勿使用附加木条将橱柜操作面和电器之间的间隙封闭起来。

拆卸

断开电器电源。拧开固定螺钉。稍微抬高电器并将其完全拉出。

en

Preparing the units - Fig. 1

■ The safe operation of this appliance can only be guaranteed if it has been installed in accordance with these installation instructions. The installer is liable for losses incurred as a result of incorrect installation.

■ Fitted units must be heat-resistant up to 90 °C, and neighbouring unit fronts up to 70 °C.

■ Cut out the units and the work surface before fitting the appliances. Remove any shavings or the function of the electrical components may be impaired.

■ Caution during installation. Parts that are accessible during installation may have sharp edges. Wear protective gloves to prevent cuts.

■ The power socket for the appliance must either be located in the hatched area B or else away from the installation space.

■ A gap of 5 mm is required between the appliance and surrounding unit fronts.

■ Secure freestanding units to the wall using a standard bracket C.

Oven under the work surface - Fig. 1

There must be a ventilation cut-out made in the intermediate floor of the surround unit.

Secure the worktop to the fitted units.

If a fitted oven is to be built in under a hob, pay attention to the hob installation instructions.

Appliance in a tall unit - Figure 2+4

The appliance may also be installed in a tall unit.

There must be a gap between the intermediate floors and the mounting wall of approx. 20 mm in order to provide ventilation to the oven.

Only fit the appliance at a height where removing baking trays does not present a problem.

Corner installation - Figure 3

To ensure that the appliance door can be opened in the case of corner installation, take account of dimension D.

Dimension E is dependent on the thickness of the unit front under the handle.

Connecting the appliance

The appliance corresponds to protection class I and may only be operated with a protective earth connection.

During all installation work, the appliance must be disconnected from the power supply.

The appliance must only be connected with the power cable provided.

Connect the power cable to the back of the appliance (listen for the click).

A longer power cable can be obtained from the after-sales service.

The power cable may only be replaced by a cable from the original manufacturer, obtainable via the after-sales service.

Contact protection must be ensured by the installation.

Power cable with a plug with earthing contact

The appliance must only be connected to a properly installed protective contact socket.

If the plug is no longer accessible following installation, an all-pole isolating switch must be present on the installation side with a contact gap of at least 3 mm.

Power cable without a plug with earthing contact

Only allow a licensed professional to connect the appliance. He is subject to the requirements of the local electricity provider.

An all-pole isolating switch with at least a 3 mm contact gap must be available for the installation. Identify the phase and neutral (zero) conductor in the socket. Incorrect connection may cause damage to the appliance.

Connect the appliance only according to the connection diagram. See the rating plate for the voltage. Connect the wires of the mains power cable according to the colour coding:

Green/yellow	earth conductor ⊕
Blue	neutral conductor
Brown	phase (external conductor)

In the UK and Australia only

Do not connect using a 13 A plug or protect with a 13 A fuse.

Only in Sweden, Finland and Norway

The appliance can also be connected using the plug provided which has an earthing contact system. This must be accessible after installation. If this is not the case, an all-pole isolating switch must be used on the installation side with a contact gap of at least 3 mm.

Securing the appliance - Figure 5

■ Fully insert the appliance and centre it.

■ Screw the appliance into place.

■ The gap between the worktop and the appliance must not be closed using additional battens.

Removal

Disconnect the appliance from the power supply. Undo the securing screws. Raise the appliance slightly and pull it out completely.