

en Instructions for use

**KGH 34X04GB**  
**KGH 34X44GB**  
**KGH 34X64GB**  
**KGH 33X03GB**  
**KGH 33X63GB**



**BOSCH**

---

## en Contents

Information concerning disposal .....	3	Storing food in the appliance.....	9
Safety and warning information.....	3	Features .....	9
Installation .....	5	Freezing and storing food .....	10
Changing over the door hinges .....	5	Freezing fresh food .....	10
Aligning the appliance .....	5	Super.....	11
Getting to know your appliance .....	6	Max. freezing capacity.....	11
Fascia.....	6	Thawing frozen food.....	11
Observe ambient temperature and ventilation .....	7	Tips for saving energy .....	12
Connecting the appliance.....	7	Operating noises .....	12
Switching on the appliance .....	8	Eliminating minor faults yourself.....	13
Selecting the temperature .....	8	Customer service .....	14

## Information concerning disposal

### Disposal of packaging

The packaging protects your appliance from damage during transit. All packaging materials are environmentally friendly and recyclable. Please contribute to a better environment by disposing of packaging materials in an environmentally- friendly manner.

Please ask your dealer or inquire at your local authority about current means of disposal.

### Disposal of your old appliance

Old appliances are not worthless rubbish! Valuable raw materials can be reclaimed by recycling old appliances.

 This appliance has been identified in accordance with the European directive 2002/96/EG on Waste Electrical and Electronic Equipment - WEEE). The directive specifies the framework for an EU-wide valid return and recycling of old appliances.

### Warning

Redundant appliances:

1. Pull out the mains plug.
2. Cut off the power cord and discard with the mains plug.

Refrigerators contain refrigerants and the insulation contains gases. Refrigerant and gases must be disposed of properly. Ensure that tubing of the refrigerant circuit is not damaged prior to proper disposal.

## Safety and warning information

### Before you switch ON the appliance

Please read the operating and installation instructions carefully. They contain important information on how to install, use and maintain the appliance. Keep all documentation for subsequent use or for the next owner.

### Technical safety

- This appliance contains a small quantity of environmentally-friendly but flammable R600a refrigerant. Ensure that the tubing of the refrigerant circuit is not damaged during transportation and installation. Leaking refrigerant may cause eye injuries or ignite.

### If damage has occurred

- Keep naked flames and/or ignition sources away from the appliance.
- Pull out the mains plug.
- Thoroughly ventilate the room for several minutes.
- Notify customer service

The more refrigerant an appliance contains, the larger the room must be. Leaking refrigerant can form a flammable gas-air mixture in rooms which are too small.

The room must be at least 1 m<sup>3</sup> per 8 g of refrigerant. The amount of refrigerant in your appliance is indicated on the rating plate inside the appliance.

- Only customer service may change the power cord and carry out any other repairs. Improper installations and repairs may put the user at considerable risk.

## Important information when using the appliance

- Never use electrical appliances inside the refrigerator (e.g. heater, electric ice maker, etc). **Explosion hazard!**
- NEVER use a steam cleaner to defrost or clean the appliance. The steam may penetrate electrical parts and cause a short-circuit. **Risk of electric shock!**
- Do not store products which contain flammable propellants (e. g. spray cans) or explosive substances in the appliance. **Explosion hazard!**
- Do not stand or support yourself on the base, drawers or doors, etc.
- Before defrosting and cleaning the appliance, pull out the mains plug or switch off the fuse.  
Do not pull out the mains plug by tugging the cable.
- Bottles which contain a high percentage of alcohol must be sealed and stored in an upright position.
- Keep plastic parts and the door seal free of oil and grease. Otherwise, parts and door seal will become porous.
- Never cover or block the ventilation openings for the appliance.
- Do not store bottled or canned drinks (especially carbonated drinks) in the freezer compartment, Bottles and cans may explode!
- Never put frozen food straight from the freezer compartment into your mouth.  
**Risk of low-temperature burns!**

- Avoid prolonged touching of frozen food, ice or the evaporator pipes, etc.  
**Risk of low-temperature burns!**
- Do not scrape off hoarfrost or stuck frozen food with a knife or pointed object.  
You could damage the refrigerant tubing. Leaking refrigerant may ignite or cause eye injuries.

## Children in the household

- Keep children away from packaging and its parts. Danger of suffocation from folding cartons and plastic film!
- Do not allow children to play with the appliance!
- If the appliance features a lock, keep the key out of the reach of children.

## General requirements

The appliance is suitable

- for refrigerating and freezing food,
- for making ice.

The appliance is designed for domestic use.

The appliance has been interference-suppressed in compliance with EU Directive 89/336/EEC,

The refrigerant circuit has been tested for leaks.

This product complies with the relevant safety regulations for electrical appliances (EN 60335/2/24).

---

## Installation

Install the appliance in a dry, well ventilated room. The installation location should neither be exposed to direct sunlight nor near a heat source, e.g. a cooker, radiator, etc. If installation next to a heat source is unavoidable, use a suitable insulating plate or observe the following minimum distances to a heat source:

3 cm to an electric cooker.

30 cm to an oil or solid-fuel cooker.

Appliances with fitted handles must be situated at least 55 mm from the wall on the hinge side so that the door can be opened by 90°.

---

## Changing over the door hinges

We recommend that you have the door hinges changed over by our customer service.

Before you start the conversion work, pull out the mains plug or remove the fuse.

**Attention! Carefully place the appliance on its back.**

Installation in numerical sequence. **Fig. 17**

---

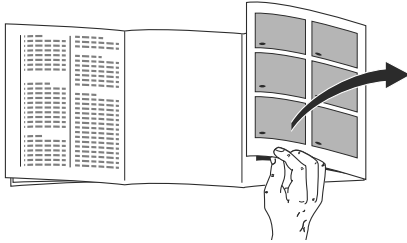
## Aligning the appliance

### **Fig. 18**

Place the appliance in the designated location and align.

Adjust the height-adjustable feet with a screwdriver.

## Getting to know your appliance



Please fold out the illustrated last page. These operating instructions refer to several models.

The illustrations may differ.

## Example of features

### Fig. 1

(\* not all models)

- 1-4 Fascia
- 5 Temperature selector - refrigerator compartment
- 6 Light switch
- 7 Interior light
- 8 Bottle shelf
- \*9 Chiller compartment
- 10 Vent opening
- 11 Shelf in the refrigerator compartment
- \*12 Can dispenser
- 13 Fruit and vegetable container
- 14 Freezer drawer
- 15 Freezer shelf

- 16 Height-adjustable feet
- 17 Egg rack
- 18 Shelf for small bottles
- 19 Shelf for large bottles
- \* 20 Ice block/Frozen-food calendar

- A Refrigerator compartment
- B Freezer compartment

## Fascia

### Fig. 1

- 1 On/Off-button
- 2 Temperature selection button - freezer compartment

Can be selected from 16 °C to 24 °C.

Press the button until the required temperature lamp illuminates. The value last selected is stored.

- 3 Temperature display lamp - freezer compartment

The numbers next to the temperature display lights indicate the temperatures in °C.

The lit lamp indicates the selected temperature.

- 4 Fast freezing button
- Switches super freezing on and off.

When the light is on, super cooling has started.

## Observe ambient temperature and ventilation

The climatic class can be found on the rating plate and indicates the ambient temperatures at which the appliance can be operated.

Climatic class	Permitted ambient temperature
SN	+10°C to 32°C
M	+16°C to 32°C
ST	+16°C to 38°C
T	+16°C to 43°C

## Ventilation

Fig. 2

The air on the rear panel of the appliance heats up. The warm air must be able to escape. Otherwise, the refrigerator must work harder. This will increase the power consumption.

Therefore: Never cover or block ventilation openings!

## Connecting the appliance

After installing the appliance, wait at least 1/2 hour before switching on the appliance. During transportation the oil in the compressor may have flowed into the refrigeration system.

Before switching on the appliance for the first time, clean the interior (see Cleaning).

The socket should be freely accessible.

Connect the appliance to 220-240 V/ 50 Hz alternating current via a correctly installed earthed socket. The socket must be fused with a 10-16 A fuse or higher.

**If the appliance is to be operated in a non-European country, check on the rating plate whether the indicated voltage and current type correspond to the values of your mains supply. The rating plate is situated in the bottom left-hand side of the appliance. The power cord may be replaced by an electrician only.**

### Warning

**Never connect the appliance to electronic energy saver plugs or to power inverters which convert the direct current to 230 V alternating current (e.g. solar equipment, power supplies on ships).**

## Switching on the appliance

Press the On/Off button **Fig. 1/1**.

The appliance starts refrigerating.

Interior light in refrigerator compartment is switched on when the door is open.

The appliance left the factory with the following standard setting:

Refrigerator compartment: + 4 °C

Freezer compartment: - 18 °C

## Operating tips

- The fully automatic NoFrost system ensures that the freezer compartment and the refrigerator compartment remain free of ice. Defrosting is no longer required.
- The sides of the housing are sometimes heated slightly. This prevents condensation in the area of the door seal.
- The appliance doors have two different opening angles.

When opening one door, the other door may move slightly. This is quite normal and can be ignored.

- If you cannot open the freezer compartment door immediately after closing it, wait 2-3 minutes until the partial vacuum has equalised.

## Selecting the temperature

### Fridge

Rotate temperature selector **Fig. 1/5** to a setting.

A higher setting lowers the temperature in the refrigerator compartment.

We recommend:

- for long-term storage of food: **medium** controller setting
- select a **higher** controller setting set a high controller setting only temporarily if: door is opened frequently, large amounts of food are placed in the refrigerator compartment.

We recommend storing perishable foods at a temperature not warmer than +4 °C.

A temperature of about +4 °C is reached when the control is set to a centre position.

### Freezer compartment

The set values can be changed, see Description of control panel:

## Storing food in the appliance

When storing food, comply with the following:

- Wrap or cover food before placing in the appliance. This will retain the aroma, colour and freshness of the food. Transfer of flavour and discoloration of the plastic parts will also be prevented.
- Allow warm food and drinks to cool down before placing in the appliance!
- Do not block air vents in the refrigerator compartment with food products to avoid hindering air circulation. Food products that are stored directly in front of the air vents are liable to freeze due to the cold air flowing out of the vents.

We recommend arranging the food as follows:

- **In the freezer compartment:** Frozen food, ice cubes, ice cream
- **On the shelves** in the refrigerator compartment (from top to bottom): cakes and pastries, ready meals, dairy products, meat and sausage
- **in the vegetable container:** vegetables, salad, fruit
- In the **door** (from top to bottom): butter, cheese, eggs, tubes, small bottles, large bottles, milk, juice cartons

## Features

\*not all models

### \* Chiller compartment

#### Fig. 7

The temperatures in the chiller compartment are lower than in the refrigerator compartment. Temperatures can also be below 0 °C. Ideal for storage of fish, meat and sausage. Not suitable for salads and vegetable and for cold-sensitive goods.

#### Note:

The chiller compartment functions only when the tray on the left is located below the top glass shelf (delivery condition). At other positions, the temperatures in the tray are the same as in the rest of the refrigerator compartment.

## Bottle shelf

#### Fig. 4 / Fig. 6

Bottles can be stored securely on the bottle shelf. The holder can be adjusted.

## Freezer calendar

#### Fig. 9

The figures next to the symbols indicate the permitted storage period of the produce in months. When purchasing frozen produce, observe the date of manufacture or sell-by date.

## \*Ice block

### Fig. 9

If a power failure or malfunction occurs, the ice blocks can be used to slow down the thawing process. The longest storage time is obtained by placing the ice block directly on the food in the top compartment.

To save space, the ice block can be stored in the door compartment.

The ice blocks can also be used to cool food temporarily, e.g. in a cold bag.

---

## Freezing and storing food

### Purchasing deep-frozen food

Packaging must not be damaged.

Use by the “best-before” date.

Temperature in the supermarket freezer -18 °C or lower.

if possible, transport deep-frozen food in an insulated bag and place quickly in the freezer compartment.

### Storing food in the appliance

Preferably freeze large quantities of food in the top compartments where freezing is particular quick and therefore also gentle. Place the food over the whole area of the compartments or the freezer drawers.

Food which is already frozen must not come into contact with the food which is to be frozen. If required, move the frozen food to the freezer drawers.

## Storing frozen food

- To ensure good air circulation in the appliance, insert the freezer drawers all the way.
- If large quantities of food are to be stored in the freezer, all the freezer drawers (except the bottom one) can be taken out of the appliance and the food stacked directly on the freezer shelves. To remove a freezer drawer, pull out all the way, lift at the front and remove.

## Making ice cubes

Fill the ice tray <sup>3</sup>/<sub>4</sub> full of water and place in the bottom of the freezer compartment, if the ice tray is stuck to the freezer compartment, loosen with a blunt implement only (spoon-handle).

To loosen the ice cubes, twist the ice tray slightly or hold briefly under flowing water.

---

## Freezing fresh food

### Freezing food yourself

If you are freezing food yourself, use only fresh, undamaged food.

#### The following foods are suitable for freezing:

Meat and sausage products, poultry and game, fish, vegetables, herbs, fruit, cakes and pastries, pizza, ready meals, leftovers, egg yolk and egg-white.

#### The following foods are not suitable for freezing:

Eggs in shells, soured cream and mayonnaise, green salads, radishes and onions.

### Blanching vegetables and fruit

To retain colour, flavour, aroma and vitamin C, vegetables and fruits should be blanched prior to freezing.

Blanching is the brief immersion of vegetables and fruit in boiling water.

Literature on freezing and blanching is available in bookshops.

## Super

If there is already food in the freezer compartment, switch on "Fast freeze" several hours before placing fresh produce in the freezer compartment. As a rule, 4-6 hours is adequate.

If max. freezing capacity is to be utilised, 24 hours are required. Smaller quantities of food (up to 2 kg) can be frozen without "Fast freeze".

To switch on, press the fast freezing button **Fig. 1/4**.

"Fast freeze" switches off automatically after 2 1/2 days at the latest.

## Max. freezing capacity

In order to retain the vitamins, nutritional value, appearance and flavour food should be frozen as quickly as possible. Do not exceed the max. freezing capacity, freeze the food as quickly as possible. Do not exceed the max. freezing capacity of your appliance.

## Freezing capacity

Information about the max. freezing capacity within 24 hours can be found on the rating plate.

## Thawing frozen food

Depending on the type of food and intended use, frozen produce can be thawed as follows:

- At room temperature,
- In the refrigerator.
- in an electric oven, with/without fan assisted hot-air.
- In the microwave.

### Note

Do NOT refreeze food which is beginning to thaw or which has already thawed. It can only be refrozen when it has been used to prepare a ready meal (boiled or fried).

No longer store the frozen produce for the max. storage period.

## Switching off and disconnecting the appliance

### Switching off the appliance

Press the On/Off button **Fig. 1/1**.

### Disconnecting the appliance

If the appliance is not used for a prolonged period:

1. Pull out the mains plug.
2. Cleaning the appliance.
3. Leave the appliance doors open

## Cleaning the appliance

- Pull out the mains plug or remove the fuse.
- Take out the frozen food and store in a cool location. Place the ice block (if enclosed) on the food.
- Clean the appliance with lukewarm water and a little washing-up liquid.

### Attention

Clean the door seal with water only and then dry thoroughly.

Water used for cleaning must not drip into the control panel.

Do not use abrasive or acidic cleaning agents and solvents.

## Tips for saving energy

- Install the appliance in a cool, well ventilated room, but not in direct sunlight and not near a heat source (radiator, cooker, etc.). Otherwise, use an insulating plate.
- Allow warm food and drinks to cool down outside the appliance.
- When thawing frozen food, place it in the refrigerator compartment. The low temperature of the frozen food will then cool the food in the refrigerator compartment.
- Open the appliance door as briefly as possible,
- Occasionally clean the rear of the appliance with a vacuum cleaner or paint brush to prevent an increased power consumption.
- Observe required distance of 60 mm to the back wall. The heated air can then escape without obstruction.

## Operating noises

### Normal noises

**Humming** - refrigerating unit is running.

**Bubbling, gurgling or whirring noises**- refrigerant is flowing through the tubing.

**Clicking** - motor is switching on or off.

**Clicking** - automatic defrost switching on.

### Noises which can be easily rectified

#### **The appliance is not level**

Please align the appliance with a spirit level. Use the height-adjustable feet or place something under the feet.

#### **The appliance is touching adjacent units or appliances**

Please move the appliance away from adjacent units or appliances.

#### **Drawers, baskets or storage areas are loose or sticking**

Please check the removable parts and, if required, reinsert them.

#### **Receptacles are touching each other**

Please move bottles or receptacles away from each other.

## Eliminating minor faults yourself

### Before you call customer service:

Please check whether you can eliminate the fault yourself based on the following information.

Customer service will charge you for advice, even if the appliance is still under guarantee!

Fault	Possible cause	Remedial action
<b>Light does not function.</b>	The bulb is defective.	Change the bulb: <b>Fig. 3</b> 1. Pull out the mains plug or disconnect the fuse. 2. Change the bulb (replacement bulb max. 15 W, 220-240 V, AC, E14 lampholder)
	Light switch is sticking. <b>Fig. 1/6</b>	Check whether it can be moved.
<b>The temperature in the refrigerator compartment is too cold.</b>	Colder freezer compartment temperatures can also give rise to colder fridge compartment temperatures. This is quite normal.	Increase the refrigerator compartment temperature slightly. If this is insufficient, e.g. at excessively cold ambient temperatures, also increase the freezer compartment temperature.
<b>Displays do not illuminate.</b>	Power failure; the fuse has been switched off; the mains plug has not been inserted properly.	Check whether the power is on, the fuse must be switched on.
<b>The temperature in the freezer compartment became too warm.</b>	• Freezer compartment door is open	Close the door
	• The ventilation openings are blocked.	Ensure that there is adequate ventilation.
	• Too much food was placed in the freezer compartment at once.	Do not exceed max. freezing capacity.

Fault	Possible cause	Remedial action
<b>Freezer compartment door was open for a long time; temperature is no longer reached.</b>	The evaporator (refrigeration generator) in the Nofrost system is covered in thick ice and can no longer be defrosted fully automatically.	<p>To defrost the evaporator, remove the frozen food with the compartments, insulate well and store in a cool location.</p> <p>Switch off the appliance and move it away from the wall. Leave the appliance door open</p> <p>After approx. 20 min. the condensation begins to run into the evaporation pan at the rear of the appliance. To prevent the evaporation pan from overflowing in this case, mop up the condensation with a sponge.</p> <p>The evaporator is defrosted when the water stops running into the evaporation pan. Clean the interior. Switch the appliance back on again.</p>

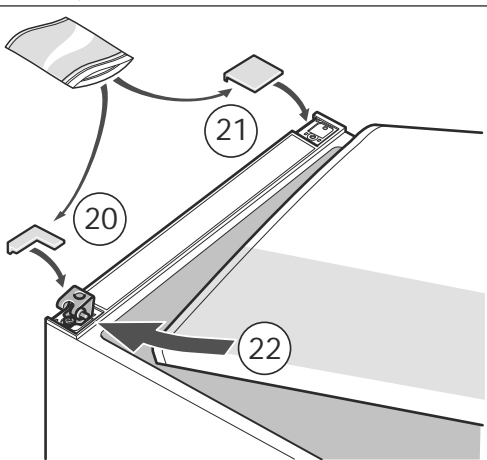
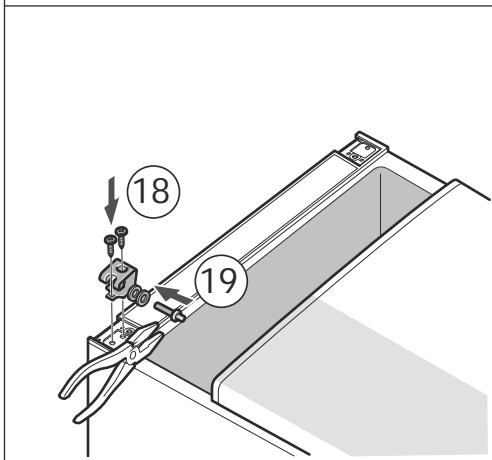
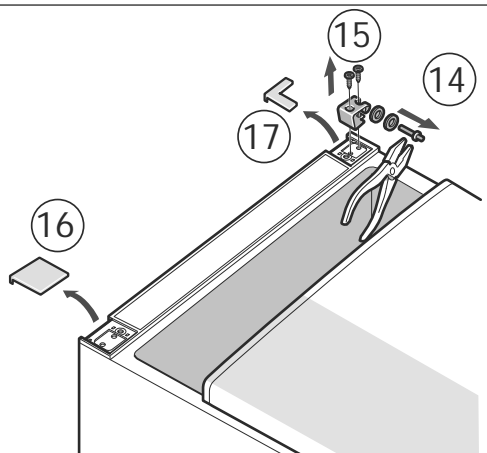
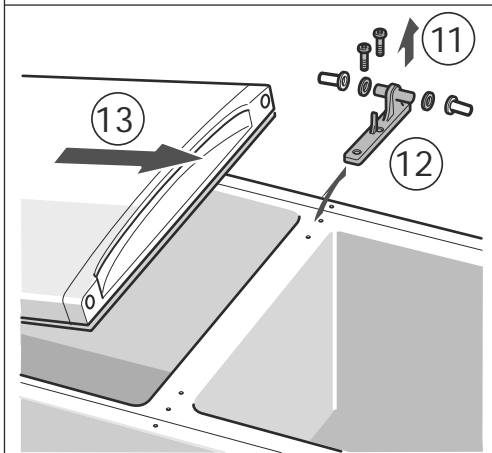
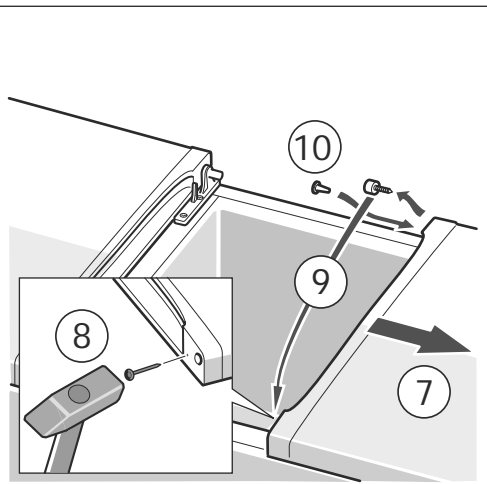
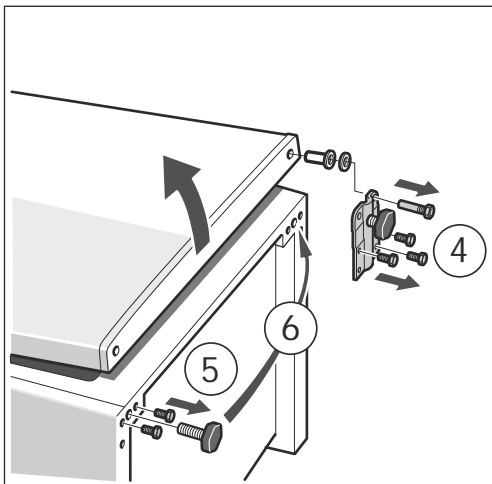
## Customer service

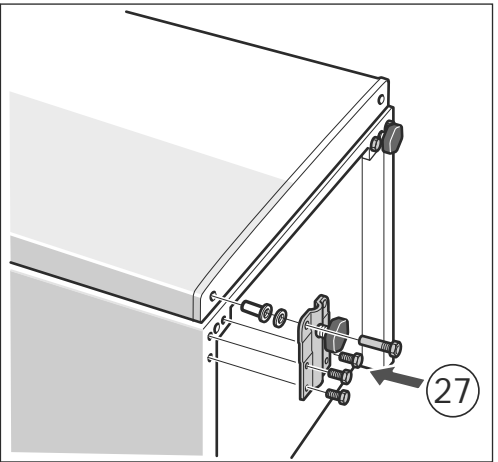
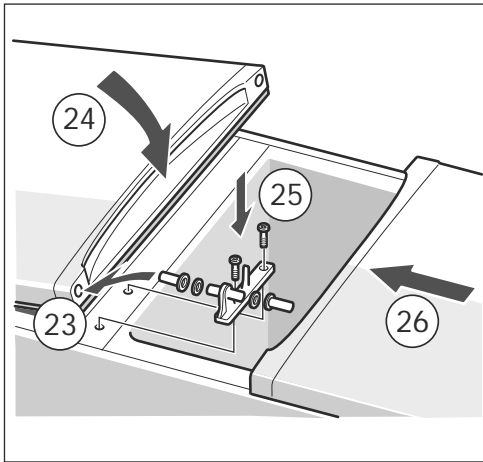
Your local customer service can be found in the telephone directory or in the customer-service index. Please provide customer service with the appliance product number (E-Nr.) and production number (FD).

This information can be found on the product label. Fig. 10

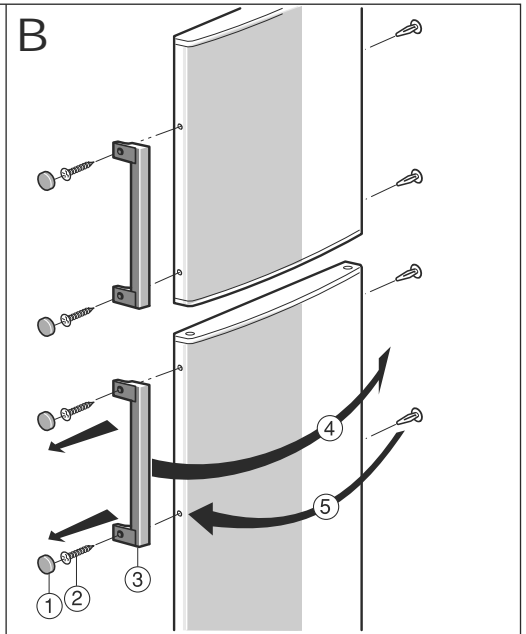
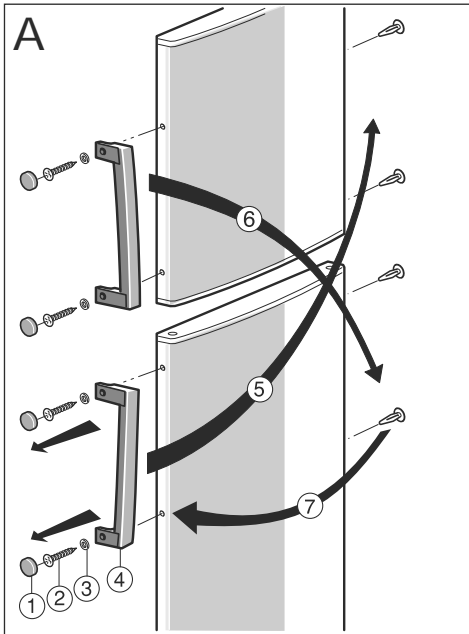
To prevent unnecessary call-outs, please assist customer service by quoting the product and production numbers.

This will save you additional costs.

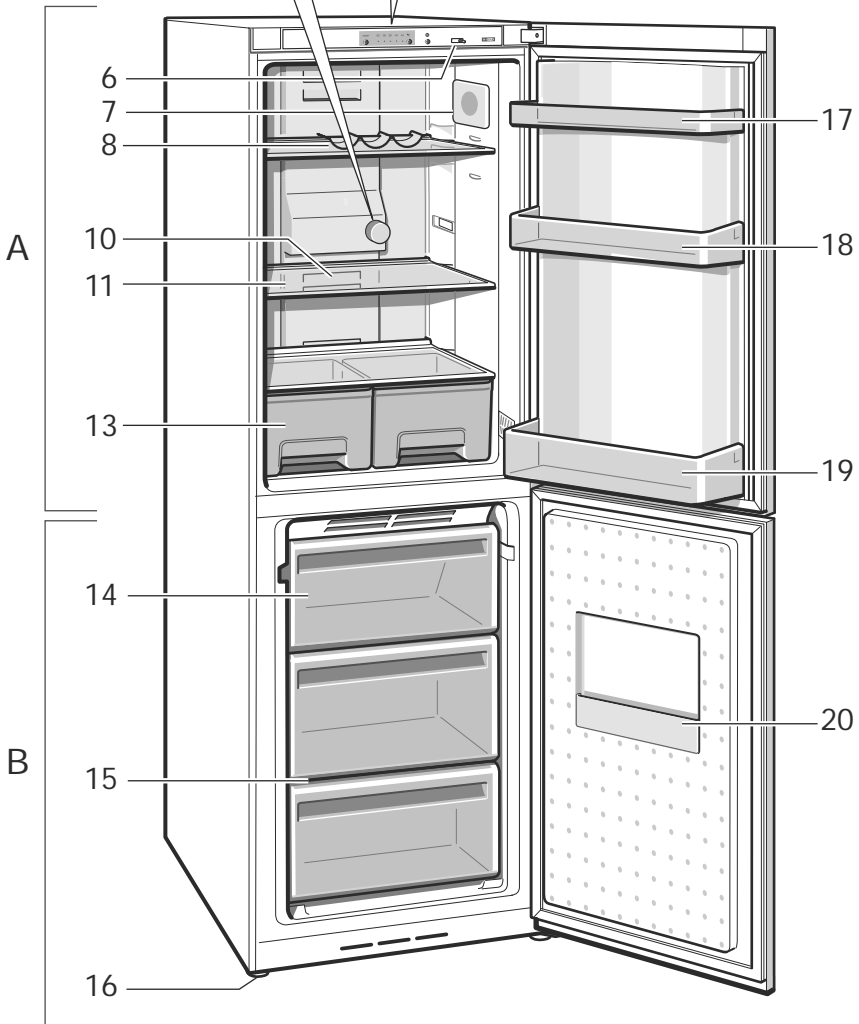
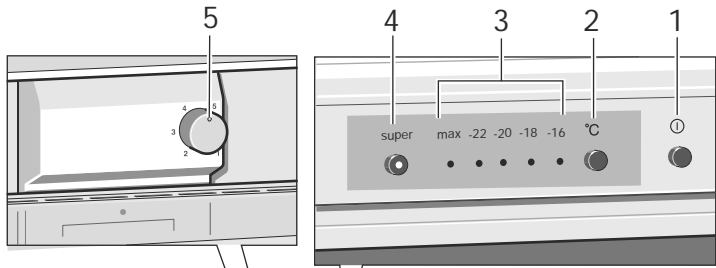


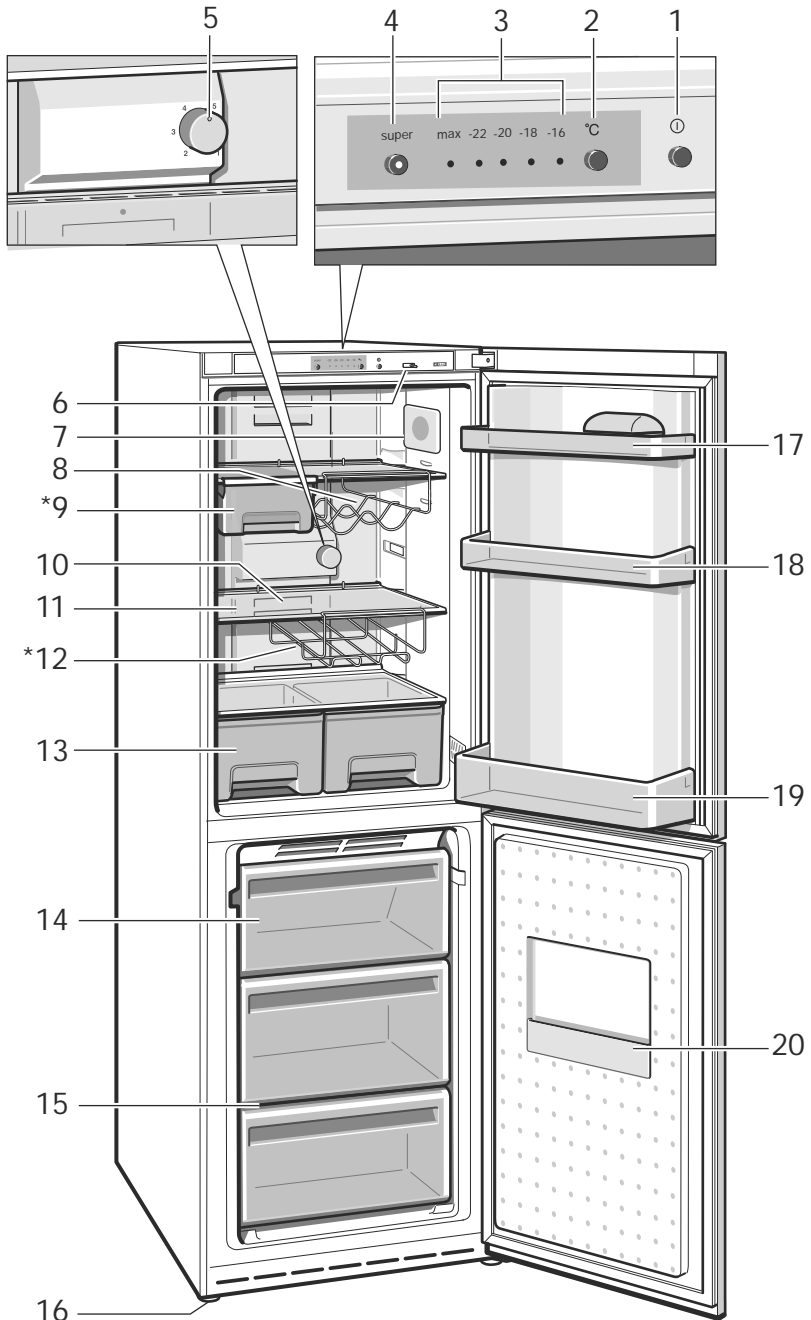


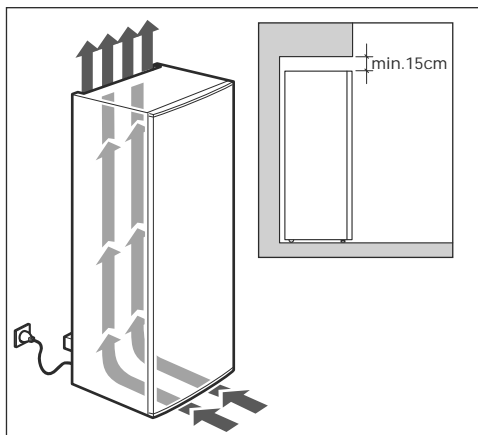
12c



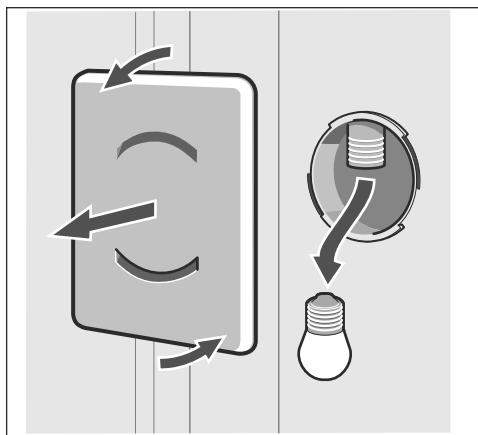
12d



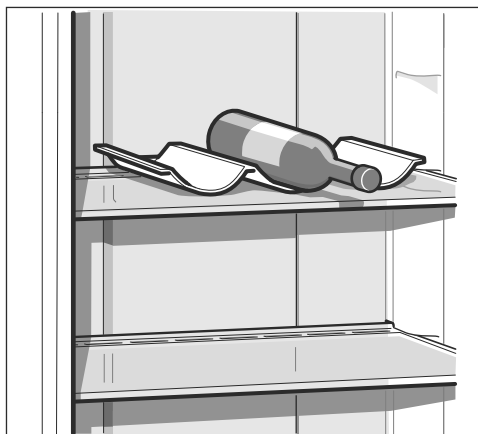




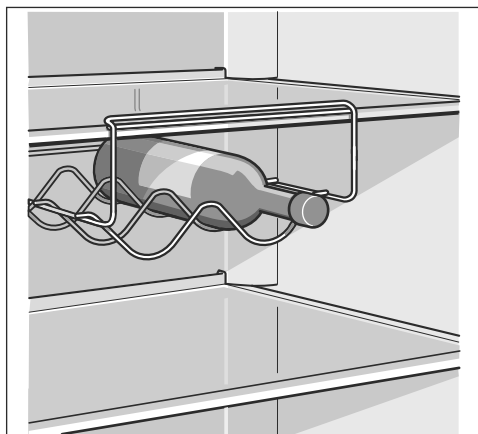
2



3



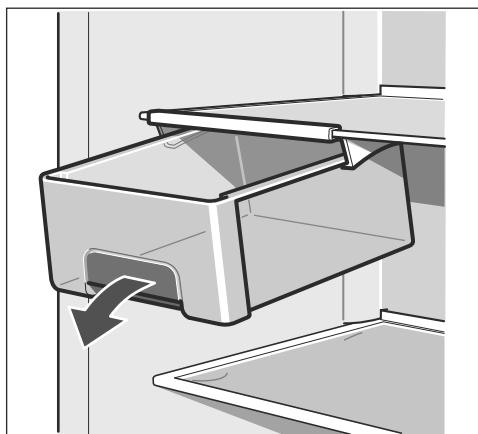
4



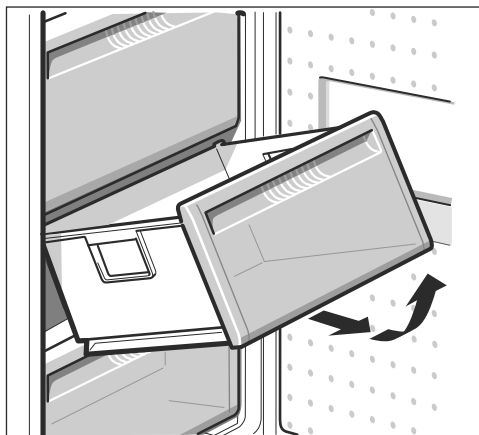
5



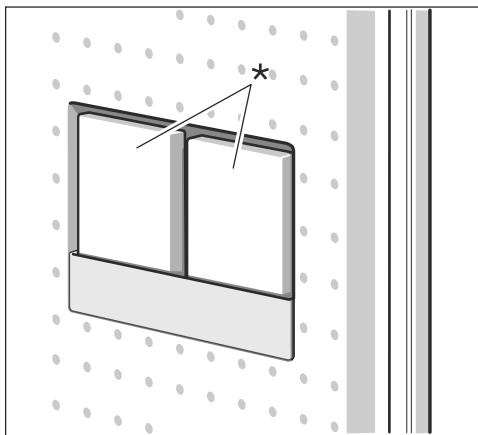
6



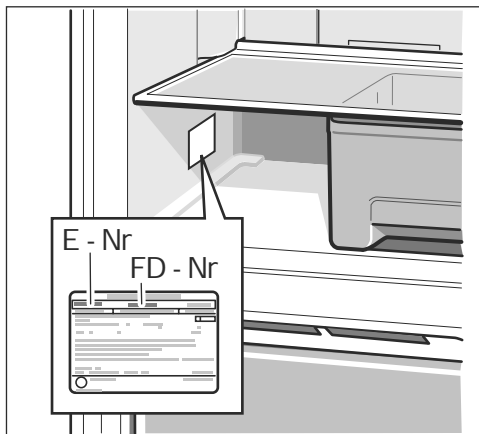
7



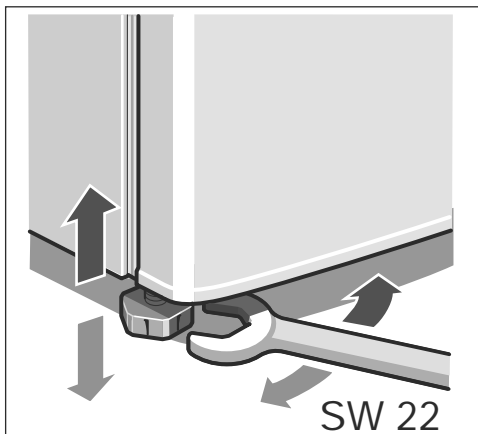
8



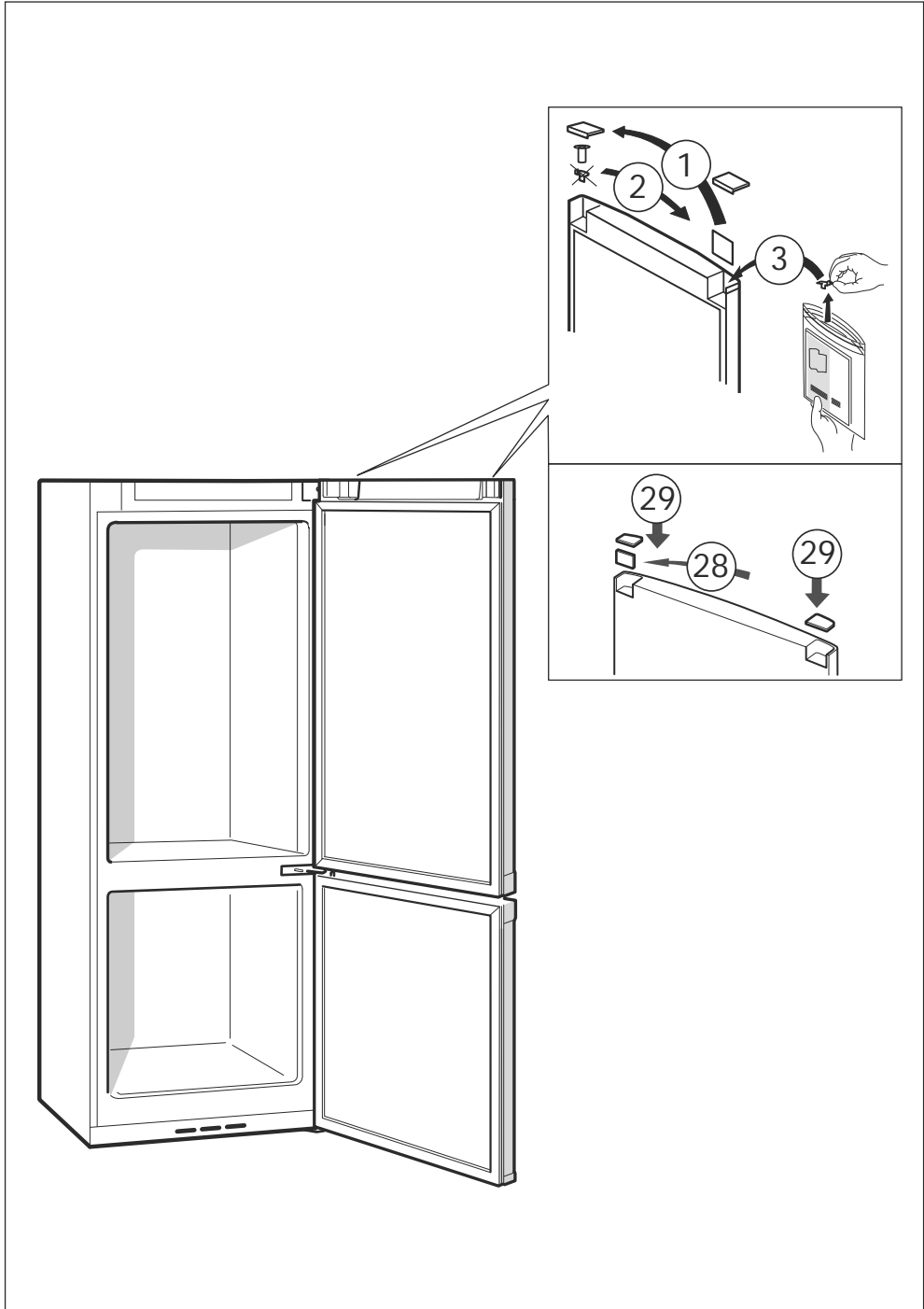
9



10



11



Subject to modification

ROBERT BOSCH HAUSGERÄTE GMBH  
Carl-Wery-Straße 34, 81739 München

8902/B

9000429345