

Bosch ventilation use and care manual

DUH30252UC - DUH30162UC - DUH30152UC - DUH30122UC
DUH36252UC - DUH36162UC - DUH36152UC - DUH36122UC



BOSCH
Invented for life





IMPORTANT SAFETY INSTRUCTIONS

Read All Instructions Before Using the Appliance.

READ AND SAVE THESE INSTRUCTIONS

WARNING

TO REDUCE THE RISK OF A RANGE TOP GREASE FIRE.

- a) Never leave surface units unattended at high settings. Boilovers cause smoking and greasy spillovers that may ignite. Heat oils slowly on low or medium settings.
- b) Always turn hood ON when cooking at high heat or when flambeing food (i.e. Crepes Suzette, Cherries Jubilee, Peppercorn Beef Flambe’).
- c) Clean ventilating fans frequently. Grease should not be allowed to accumulate on fan or filter.
- d) Use proper pan size. Always use cookware appropriate for the size of the surface element.

WARNING

TO REDUCE THE RISK OF INJURY TO PERSONS, IN THE EVENT OF A RANGE TOP GREASE FIRE, OBSERVE THE FOLLOWING:

- a) SMOTHER FLAMES with a close-fitting lid, cookie sheet, or other metal tray, then turn off the gas burner or the electric element. BE CAREFUL TO PREVENT BURNS. If the flames do not go out immediately, EVACUATE AND CALL THE FIRE DEPARTMENT.
- b) NEVER PICK UP A FLAMING PAN - you may be burned.

- c) DO NOT USE WATER, including wet dishcloths or towels - a violent steam explosion will result.
- d) Use an extinguisher **ONLY** if:
 - 1) You know you have a class ABC extinguisher, and you already know how to operate it.
 - 2) The fire is small and contained in the area where it started.
 - 3) The fire department is being called.
 - 4) You can fight the fire with your back to an exit.

FOR GENERAL RESIDENTIAL KITCHEN VENTILATING USE ONLY. TO AVOID A FIRE OR EXPLOSION HAZARD DO NOT USE TO EXHAUST HAZARDOUS OR EXPLOSIVE MATERIALS OR VAPOR.

For indoor use only.

Note: The appliance referred to throughout this manual is manufactured by BSH Home Appliances Corporation.

When children become old enough to use the appliance, it is the legal responsibility of the parents or legal guardians to ensure that they are instructed in safe practices by qualified persons.

WARNING: Whenever possible, do not operate blower during a cooktop fire. However, DO NOT REACH THROUGH FIRE TO TURN OFF BLOWER.

Proposition 65 Warnings

This product may contain a chemical known to the State of California, which can cause cancer or reproductive harm. Therefore, the packaging of your product may bear the following label as required by California:

STATE OF CALIFORNIA PROPOSITION 65 WARNING:

WARNING

Cancer and reproductive harm - www.P65Warnings.ca.gov.

TABLE OF CONTENTS

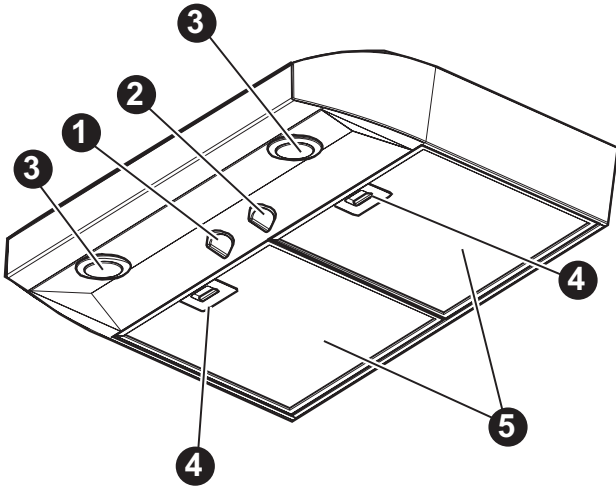
Important safety instructions	2
Features	3
Control knobs	4
Care and cleaning	5
Customer service	6
Statement of Limited Product Warranty	7

FEATURES

Models

DUH30252UC

DUH36252UC

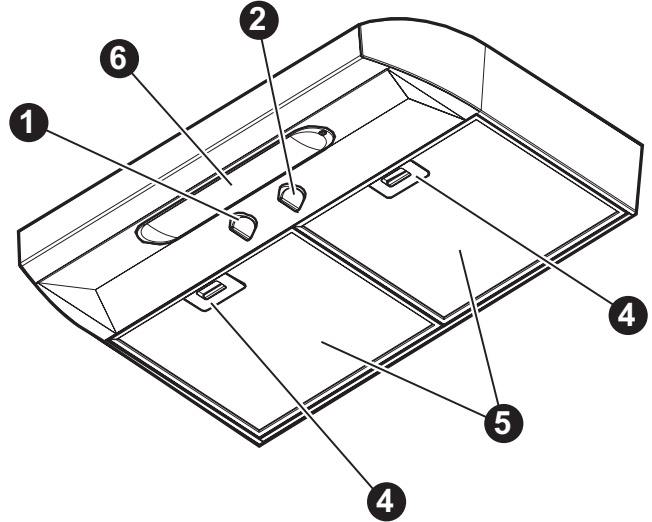


Models

DUH30162UC - DUH36162UC

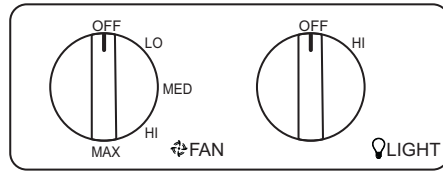
DUH30152UC - DUH36152UC

DUH30122UC - DUH36122UC



1. Blower control knob
2. Light control knob
3. Halogen lamp housings (Models DUH30252UC - DUH36252UC Only)
Lamps are not supplied, purchase halogen lamps type
4. Grease filter Handle
5. Grease filter
6. Light shield (Models DUH30162UC - DUH30152UC - DUH30122UC
DUH36162UC - DUH36152UC - DUH36122UC Only)

Control knobs



FAN Control

Turn to **LO**, **MED**, **HI** or **MAX** (Models DUH30252UC - DUH36252UC Only) as needed. **ALWAYS USE THE HIGH SETTING WHEN GRILLING.**

LIGHT Control

Turn to **HI** while cooking.

For Best results

- Continuous use of the fan system while cooking helps keep the kitchen comfortable and less humid.
- It also reduces cooking odors and soiling moisture that create a frequent need for cleaning.
- Turn the blower on before starting to cook.
- Use a rear burner when browning or pan frying meat.
- Open a window or inside door slightly.
- Clean the filters and the wall behind the filters frequently.
- The blower should be turned on for a few minutes **before** cooking in order to establish air currents up-ward through the hood. Thus when heat, smoke, moisture, grease and cooking odors are produced, they will be carried outside instead of drifting into other rooms.
- Use the low speeds for normal use and the higher speeds for strong odors or fumes.
- Drafts across the range or cooktop will cause the escape of heat, smoke, moisture, grease and cooking odors from the hood. Such drafts should be prevented in so far as possible.
- The best job of ventilation in the kitchen is done where the only air currents are those created by the blower itself.
- **For Gas Cooktops**, a lower blower speed should be used if:
 - the gas flame is being distorted by the air movement.
 - the burner continually sparks (clicks)
 - the burner flame repeatedly blows out.

CARE AND CLEANING

The efficiency of the range hood system depends on the cleanliness of the intake and filters. The frequency of cleaning depends on the amount and type of cooking.

- Do not use the ventilating system without the filters in place or with grease-laden filters or surfaces.



WARNING To avoid risk of fire and explosion do not use flammable liquids or solvents. Always unplug or disconnect the appliance from the power supply before servicing.

WARNING: Be sure the entire hood (including the filters and light bulbs) has cooled and grease has solidified before attempting to clean any part of the appliance.

Filters

The metal grease filters are made of anodized aluminum and are long lasting.

To Remove The Metal Grease Filters

- Turn the fan and lights off.
- Push each handle towards the back and pull downwards.

To Replace The Metal Grease Filters

- Reverse procedure.

To Clean Filters

- It is recommended that the filters be washed at least once a month; they can be washed by hand or in the dishwasher.
- Drain water through edge holes and let each filter dry thoroughly before replacing it.

LIGHTS



CAUTION:

Before replace the lamps, switch power off at service panel and lock service panel disconnecting means to prevent power from being switched on accidentally.

NOTE: Turn off the lights and fan. Allow the lights to cool before handling. If new lights do not operate be sure lights are inserted correctly before calling service.

Replace Lights

halogen lamp (Models DUH30252UC - DUH36252UC Only)

- Remove the damaged light (twist counter clockwise) and replace with a new 120 Volt, 50 Watt (maximum) 50° halogen light made for a GU10 base, **suitable for use in open luminarie.**

Incandescent olive shaped lamp (Models DUH30162UC - DUH30152UC - DUH30122UC - DUH36162UC - DUH36152UC - DUH36122UC Only)

- Remove the light shield unscrewing the side screw, lifting it outwards to release, and sliding it towards the right hand side and remove completely.
Remove the damaged light (rotate counter clockwise) and replace with a new 40 W max (E12) lamp.

Optional Charcoal Filters

If the model is not vented to the outside, the air will be recirculated through disposable charcoal filters that help remove smoke and odors.

The charcoal filters cannot be cleaned. They must be replaced.

The charcoal filters are clipped inside of each metal grease filter (mounting instructions included with charcoal filters kit).

The charcoal filters should be replaced when they are noticeably dirty or discolored (usually after 6–12 months, depending on hood usage).

NOTE: DO NOT rinse, or put charcoal filters in an automatic dishwasher.

NOTE: Charcoal filters are **not** included with the hood.

They must be ordered from your supplier.

Order the needed kit specifying your hood model and width size.

CARE AND CLEANING

- Always use the mildest cleaner that will do the job. Use clean, soft cloths, sponges or paper towels.
- Rub stainless steel finishes in the direction of the grain. Wipe area dry to avoid water marks.
- After cleaning, place all parts in their proper positions before using.

The cleaners recommended below indicate a type and do not constitute an endorsement. Use all products according to package directions.

Care and Cleaning Chart

A	Anodized Aluminum surfaces	Top cap is not removable. Wash top and underside with hot sudsy water. Rinse and wipe dry or apply Fantastic® or Formula 409® first to a clean sponge or paper towel and wipe clean. DO NOT USE powdered cleansers or steel wool pads.
B	Aluminum Mesh Filters	Clean filters in the dishwasher or by agitating in sudsy water. Ensure that there is no soil trapped in the fine mesh. Dry the filters before reinstalling them.
C	Plastic surfaces	DO NOT REMOVE control knob. Wipe with a moist soapy sponge. Rinse and dry.
D	Painted surfaces	For general care, wipe the outside of the hood with sudsy water or household cleaners such as Fantastic or Formula 409, rinse well and dry with a clean soft cloth to avoid water marks. DO NOT USE powdered cleansers or steel wool pads.
E	Stainless Steel Surfaces	Wipe and dry stainless steel in the same direction as the grain. Avoid using too much pressure, which may mar the surface. To remove finger prints and give added shine, use cleaners such as Stainless Steel Magic. Do not allow any cleaning compounds to remain in contact with stainless steel for extended periods.

CUSTOMER SERVICES

Before Calling for Service

If the blower does not operate:

- Ensure that the electrical cord is properly connected and the supply circuit is energized.
- Check that the intake is fully raised.
- Make sure that the blower speed control knob is not in the OFF position.

How to Obtain Service

For authorized service or parts information, call 1-800-944-2904.

We want you to be a satisfied customer. If a situation arises that has not been resolved to your satisfaction, please let us know.

Write: Customer Support, BSH Home Appliances, Corp. 1901 Main Street, Suite 600 • Irvine, CA 92614
or call: 1-800-994-2904.

Please include the model number, serial number, and date of original purchase/installation.

We reserve the right to change specifications or design without notice. Some models are certified for use in Canada. BSH is not responsible for products which are transported from the U.S. for use in Canada. Check with your local Canadian distributor or dealer.

STATEMENT OF LIMITED PRODUCT WARRANTY

What this Warranty Covers & Who it Applies to

The limited warranty provided by BSH Home Appliances ("Bosch") in this Statement of Limited Product Warranty applies only to the Bosch appliance sold to you ("Product"), provided that the Product was purchased:

- For your normal, household (non-commercial) use, and has in fact at all times only been used for normal household purposes.
- New at retail from a BSH authorized dealer or directly from BSH (not a display, "as is", or previously returned model), and not for resale, or commercial use.
- Within the United States or Canada, and has at all times remained within the country of original purchase.

The warranties stated herein apply to the original purchaser of the product warranted herein and to each succeeding owner of the product purchased for ordinary home use during the term of the warranty.

Please make sure to register your Product; while not necessary to effectuate warranty coverage, it is the best way for Bosch to notify you in the unlikely event of a safety notice or product recall.

How Long the Warranty Lasts

Bosch warrants that the Product is free from defects in materials and workmanship for a period of three hundred and sixty-five (365) days from the date of the original delivery. The foregoing timeline begins to run upon the date of the original delivery, and shall not be stalled, tolled, extended, or suspended, for any reason whatsoever. This Product is also warranted to be free from cosmetic defects in material and workmanship (such as scratches of stainless steel, paint/porcelain blemishes, chips, dents, or other damage to the finish) of the Product, for a period of thirty (30) days from the date of delivery or closing date for new construction. This cosmetic warranty excludes slight color variations due to inherent differences in painted and porcelain parts, as well as differences caused by kitchen lighting, product location, or other similar factors. This cosmetic warranty specifically excludes any display, floor, "As Is", or "B" stock appliances.

Repair/Replace as Your Exclusive Remedy

During this warranty period, Bosch or one of its authorized service providers will repair your Product without charge to you (subject to certain limitations stated herein) if your Product proves to have been manufactured with a defect in materials or workmanship. If reasonable attempts to

repair the Product have been made without success, then Bosch will replace your Product (upgraded models may be available to you, in Bosch's sole discretion, for an additional charge). Nothing in this warranty requires damaged or defective parts to be replaced with parts of a different type or design than the original part. All removed parts and components shall become the property of Bosch at its sole option. All replaced and/or repaired parts shall assume the identity of the original part for purposes of this warranty and this warranty shall not be extended with respect to such parts. Bosch's sole liability and responsibility hereunder is to repair manufacturer-defective Product only, using a Bosch authorized service provider during normal business hours. For safety and property damage concerns, Bosch highly recommends that you do not attempt to repair the Product yourself, or use a non-authorized service provider; Bosch will have no responsibility or liability for damage resulting from repairs or work performed by a non-authorized service provider. Authorized service providers are those persons or companies that have been specially trained on Bosch products, and who possess, in Bosch's opinion, a superior reputation for customer service and technical ability (note that they are independent entities and are not agents, partners, affiliates or representatives of Bosch). Nevertheless, taking your product to be serviced by a repair shop that is not affiliated with or an authorized dealer of Bosch will not void this warranty. Also, using third-party parts will not void this warranty. Notwithstanding the foregoing, Bosch will not incur any liability, or have responsibility, for the Product if it is located in a remote area (more than 100 miles from an authorized service provider) or is reasonably inaccessible, hazardous, threatening, or treacherous locale, surroundings, or environment; in any such event, if you request, Bosch would still pay for labor and parts and ship the parts to the nearest authorized service provider, but you would still be fully liable and responsible for any travel time or other special charges by the service company, assuming they agree to make the service call. Further, to the extent you have installed the Product in a difficult-to-access location or have otherwise installed temporary or permanent fixtures that create barriers to accessing or removing the Product, Bosch will not incur any liability for, or have responsibility, for work or costs associated with moving the Product or otherwise creating access to the Product in order to repair or replace it. All such costs shall be your sole responsibility.

Out of Warranty Product

Bosch is under no obligation, at law or otherwise, to provide you with any concessions, including repairs, prorates, or Product replacement, once this warranty has expired.

Warranty Exclusions

The warranty coverage described herein excludes all defects or damage that is not the direct fault of Bosch, including without limitation, one or more of the following:

- Use of the Product in anything other than its normal, customary and intended manner (including without limitation, any form of commercial use, use or storage of an indoor product outdoors, use of the Product in conjunction with air or water-going vessels).
- Any party's willful misconduct, negligence, misuse, abuse, accidents, neglect, improper operation, failure to maintain, improper or negligent installation, tampering, failure to follow operating instructions, mishandling, unauthorized service (including self performed "fixing" or exploration of the appliance's internal workings).
- Adjustment, alteration or modification of any kind.
- A failure to comply with any applicable state, local, city, or county electrical, plumbing and/or building codes, regulations, or laws, including failure to install the product in strict conformity with local fire and building codes and regulations.
- Ordinary wear and tear, spills of food, liquid, grease accumulations, or other substances that accumulate on, in, or around the Product.
- Any external, elemental and/or environmental forces and factors, including without limitation, rain, wind, sand, floods, fires, mud slides, freezing temperatures, excessive moisture or extended exposure to humidity, lightning, power surges, structural failures surrounding the appliance, and acts of God.
- Service calls to correct the installation of your Product, to instruct you how to use your Product, to replace house fuses or correct house wiring or plumbing.
- Removal and replacement of trim or decorative panels that interfere with servicing the Product.
- Damage or defects caused by labor or parts installed by any non-authorized service provider, unless approved by Bosch before service is performed.

In no event shall Bosch have any liability or responsibility whatsoever for damage to surrounding property, including cabinetry, floors, ceilings, and other structures or objects around the Product. Also excluded from this warranty are Products, on which the serial numbers have been altered, defaced, or removed; service visits to teach you how to use the Product, or visits where there is nothing wrong with the Product; correction of installation problems (you are solely responsible for any structure and setting for the Product, including all electrical, plumbing or other connecting facilities, for proper foundation/flooring, and for any alterations including without limitation cabinetry, walls, floors, shelving, etc.); and resetting of breakers or fuses.

TO THE EXTENT ALLOWED BY LAW, THIS WARRANTY SETS OUT YOUR EXCLUSIVE REMEDIES WITH RESPECT TO PRODUCT, WHETHER THE CLAIM ARISES IN

CONTRACT OR TORT (INCLUDING STRICT LIABILITY, OR NEGLIGENCE) OR OTHERWISE. THIS WARRANTY IS IN LIEU OF ALL OTHER WARRANTIES, WHETHER EXPRESS OR IMPLIED. ANY WARRANTY IMPLIED BY LAW, WHETHER FOR MERCHANTABILITY OR FITNESS FOR A PARTICULAR PURPOSE, OR OTHERWISE, SHALL BE EFFECTIVE ONLY FOR THE PERIOD THAT THIS EXPRESS LIMITED WARRANTY IS EFFECTIVE. IN NO EVENT WILL THE MANUFACTURER BE LIABLE FOR CONSEQUENTIAL, SPECIAL, INCIDENTAL, INDIRECT, "BUSINESS LOSS", AND/OR PUNITIVE DAMAGES, LOSSES, OR EXPENSES, INCLUDING WITHOUT LIMITATION TIME AWAY FROM WORK, HOTELS AND/OR RESTAURANT MEALS, REMODELLING EXPENSES IN EXCESS OF DIRECT DAMAGES WHICH ARE DEFINITELY CAUSED EXCLUSIVELY BY BOSCH, OR OTHERWISE. SOME STATES DO NOT ALLOW THE EXCLUSION OR LIMITATION OF INCIDENTAL OR CONSEQUENTIAL DAMAGES, AND SOME STATES DO NOT ALLOW LIMITATIONS ON HOW LONG AN IMPLIED WARRANTY LASTS, SO THE ABOVE EXCLUSIONS OR LIMITATIONS MAY NOT APPLY TO YOU. THIS WARRANTY GIVES YOU SPECIFIC LEGAL RIGHTS, AND YOU MAY ALSO HAVE OTHER RIGHTS WHICH VARY FROM STATE TO STATE.

No attempt to alter, modify or amend this warranty shall be effective unless authorized in writing by an officer of BSH.

Obtaining Warranty Service

To obtain warranty service for your product, you should contact Bosch Customer Service at 1-800-944-2904 to schedule a repair.

Product information

For handy reference, copy the information below from the rating plate. Keep your invoice and/or delivery documents for warranty validation.

Model number (E-Nr.)

Production number (FD)

Date of delivery



INFORMATIONS IMPORTANTES RELATIVES A LA SÉCURITÉ

**Lire Toutes les Instructions Avant d'Utiliser l'Appareil.
LIRE ET CONSERVER CES INSTRUCTIONS**

AVERTISSEMENT

POUR DIMINUER LE RISQUE DE PROVOQUER UN INCENDIE DE GRAISSE SUR LA CUISINIÈRE.

- a) Ne jamais laisser sans surveillance des éléments de cuisson à température élevée. Les débordements peuvent causer des fumées ou des projections de graisses qui peuvent prendre feu. Chauffer les matières grasses doucement à puissance minimale ou moyenne.
- b) Toujours mettre la hotte EN MARCHÉ lors de cuisson à haute température ou de flambage de nourriture (crêpes Suzette, Cerises Jubilées, steak flambé,...).
- c) Nettoyer fréquemment les ventilateurs d'évacuation. La graisse ne doit pas s'accumuler sur les ventilateurs ou les filtres.
- d) Utiliser des casseroles de dimension adaptée. Utiliser toujours des ustensiles de cuisson adaptés à la taille des éléments de cuisson.

AVERTISSEMENT

POUR ÉVITER DE BLESSER QUELQU'UN LORS D'UN INCENDIE DE GRAISSE SUR LA CUISINIÈRE, SUIVRE LES CONSEILS SUIVANTS :

- a) **ÉTOUFFER LES FLAMMES** avec un couvercle aux dimensions de la taque de cuisson, une tôle à biscuit ou tout autre plateau métallique, puis couper le gaz ou l'alimentation électrique de la cuisinière. **FAIRE ATTENTION A NE PAS SE BRÛLER.** Si les flammes ne s'éteignent pas immédiatement, **QUITTER LA PIÈCE ET APPELER LES POMPIERS.**

- b) **NE JAMAIS PRENDRE EN MAIN UNE CASSEROLE EN FEU**, vous pourriez vous blesser.
- c) **NE PAS UTILISER D'EAU**, y compris les essuies de vaisselle ou les serviettes humides – une violente explosion due à la vapeur formée pourrait survenir.
- d) Utiliser un extincteur **SEULEMENT** si :
 - 1) Vous êtes sûr d'avoir un extincteur de classe ABC que vous savez utiliser.
 - 2) Le feu est petit et confiné à la zone où il s'est formé.
 - 3) Les pompiers ont été appelés.
 - 4) Vous pouvez lutter contre le feu avec une sortie derrière vous.

APPAREIL CONÇU POUR L'ASPIRATION DANS DES CUISINES PRIVÉES. POUR ÉVITER UN FEU OU UN DANGER D'EXPLOSION, NE PAS UTILISER POUR ASPIRER DES MATIÈRES OU DES VAPEURS DANGEREUSES OU EXPLOSIVES.

Pour utilisation interne uniquement.

Note : L'appareil mentionné dans ce manuel est fabriqué par BSH Home Appliances Corporation.

Quand les enfants deviennent assez grands pour utiliser l'appareil, il est de la responsabilité des parents ou des tuteurs légaux de s'assurer qu'ils connaissent les règles de sécurité d'utilisation de ces appareils.

AVERTISSEMENT: Quand cela est possible, ne pas ventiler durant un feu de cuisine. En outre, **NE PAS TENTER DE COUPER LA HOTTE EN TRAVERSANT LES FLAMMES.**

TABLE DES MATIÈRES

Informations importantes relatives a la sécurité .	9
Caractéristiques	10
Boutons de commande	11
Entretien et nettoyage	12
Service à la clientele	13
ÉNONCÉ DE LA GARANTIE LIMITÉE	14

Avertissements issu de la Proposition 65

Ce produit pourrait contenir un produit chimique reconnu par l'État de la Californie comme cancérigène ou ayant des effets nocifs sur la reproduction. Par conséquent, l'emballage de votre produit pourrait porter l'étiquette suivante, comme requis par la Californie:

AVERTISSEMENT ISSUE DE LA PROPOSITION 65 DE L'ÉTAT DE LA CALIFORNIE:

AVERTISSEMENT

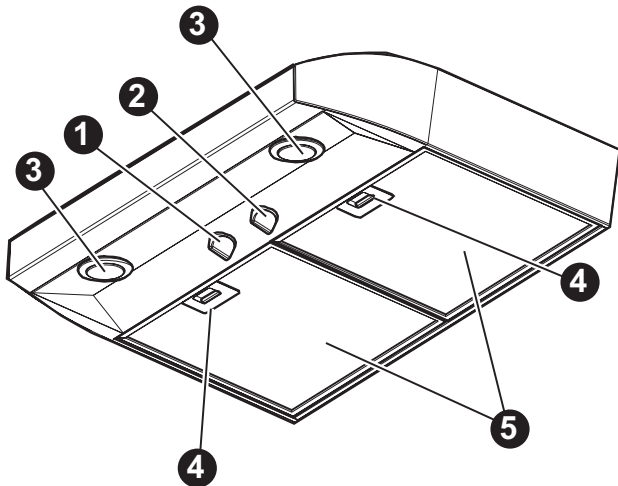
Cancer et dommages à la reproduction –
www.P65Warnings.ca.gov.

CARACTÉRISTIQUES

Modèle

DUH30252UC

DUH36252UC

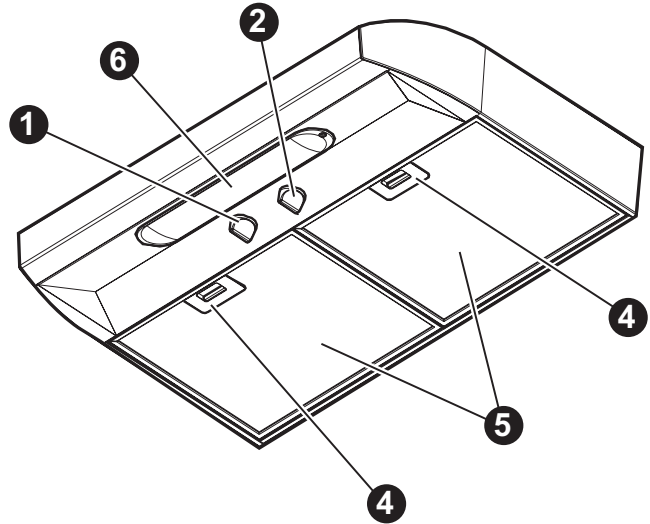


Modèle

DUH30162UC - DUH36162UC

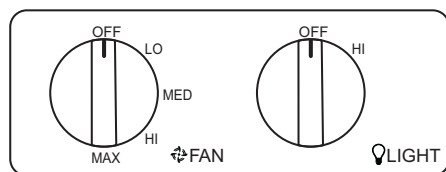
DUH30152UC - DUH36152UC

DUH30122UC - DUH36122UC



1. Bouton de commande du ventilateur
2. Bouton de commande de la lampe
3. Lampe halogène (disponible uniquement sur le modèle DUH30252UC - DUH36252UC)
4. Poignée pour le filtre
5. Filtre à graisse
6. Cache lampe (disponible uniquement sur le modèle DUH30162UC - DUH30152UC - DUH30122UC - DUH36162UC - DUH36152UC - DUH36122UC)

Boutons de commande



Puissance d'ASPIRATION

Régler la puissance désirée sur LO, MED, HI ou MAX (disponible uniquement sur le modèle DUH30252UC - DUH36252UC).
TOUJOURS UTILISER LA PUISSANCE MAXIMUM LORS DE GRILLADES.

ÉCLAIRAGE

Régler sur HI lors de l'utilisation.

Pour obtenir les meilleurs résultats

- L'utilisation continue d'un système de ventilation lorsque l'on cuisine aide à maintenir la pièce plus confortable et moins humide.
- Cela diminue aussi les odeurs de cuisine et les souillures dues à l'humidité qui doivent alors être fréquemment nettoyées.
- Allumer la hotte avant de commencer à cuisiner.
- Utiliser les éléments de cuisson arrières lorsque vous faites brunir ou poêler de la viande.
- Ouvrir légèrement une fenêtre ou une porte intérieure.
- Nettoyer fréquemment les filtres et la partie de mur se trouvant derrière ceux-ci.
- L'appareil doit être allumé quelques minutes **avant** de commencer à cuisiner pour établir un courant d'air vers la hotte. Ceci afin que la chaleur, la fumée, l'humidité, la graisse et les odeurs de cuisson qui seront produites soient absorbées directement dans la hotte et ne finissent pas dans d'autres pièces.
- Utiliser la puissance minimale pour un usage normal et la maximale pour de fortes odeurs et fumées.
- Les courants d'air vont soustraire la chaleur, la fumée, l'humidité, la graisse et les odeurs de cuisson à l'action de la hotte. De tels courants d'air doivent être évités autant que possible.
- Un travail optimal de la hotte est réalisé lorsque le seul courant d'air présent est celui créé par la hotte elle-même.
- **Pour les cuisinières à gaz**, une puissance de ventilation plus faible doit être utilisée si :
 - la flamme de gaz se tord suite aux mouvements de l'air.
 - le brûleur fait des étincelles.
 - le brûleur s'éteint de façon répétée.

ENTRETIEN ET NETTOYAGE

L'efficacité de la hotte dépend de la propreté de l'appareil et de ses filtres.

La fréquence des nettoyages dépend du nombre et du type de cuissons réalisées.

- Ne pas utiliser la hotte si les filtres n'y sont pas installés, si l'appareil ou les filtres sont pleins de graisse.



AVERTISSEMENT: Pour éviter tout risque d'incendie ou d'explosion, ne pas utiliser de liquides inflammables ou de solvants. Toujours déconnecter ou débrancher l'appareil du courant électrique lorsqu'on le nettoie.

AVERTISSEMENT: S'assurer que la hotte toute entière (y compris les filtres et les ampoules de la lampe) soit refroidie et que la graisse ait solidifié avant de commencer à nettoyer l'appareil.

Filtres

Les filtres anti-graisse métalliques sont composés d'aluminium oxydé et sont très résistants.

Pour enlever le filtre métallique anti-graisse

- Couper l'aspiration et les lampes de la hotte.
- Appuyer sur chaque poignée vers l'arrière et puis tirer vers le bas.

Pour remplacer le filtre métallique anti-graisse

- Suivre la procédure inverse.

Pour nettoyer les filtres

- Il est recommandé de nettoyer les filtres au moins une fois par mois ; ils peuvent être lavés à la main ou dans le lave-vaisselle.
- Faire passer l'eau dans tous les trous et laisser chaque filtre sécher parfaitement avant de le remettre en place.

Lampes



ATTENTION : Avant de remplacer les lampes, couper le courant au niveau de la boîte à fusible et verrouiller cette dernière pour prévenir tout risque qu'on remette le courant accidentellement.

NOTE : Couper l'aspiration et les lampes. Laisser les lampes refroidir avant de les manipuler. Si les nouvelles ampoules ne fonctionnent pas, s'assurer qu'elles sont insérées correctement avant d'appeler le service clientèle.

Remplacer les ampoules

Lampe halogène (disponible uniquement sur le modèle DUH30252UC - DUH36252UC)

- Enlever l'ampoule défectueuse (tourner dans le sens inverse des aiguilles d'une montre) et la remplacer avec une nouvelle ampoule halogène de 120 Volt, 50 Watt (maximum), 50° prévue pour une base GU10, **et convenant pour une utilisation dans les lampadaires.**

Ampoule incandescente (disponible uniquement sur le modèle DUH30162UC - DUH30152UC - DUH30122UC - DUH36162UC - DUH36152UC - DUH36122UC)

- Enlever le couvercle de la lampe en dévissant la vis à côté, faire glisser le couvercle jusqu'à enlever-le en le tirant vers l'extérieur.
- Enlever l'ampoule défectueuse (tourner dans le sens inverse des aiguilles d'une montre) et la remplacer avec une nouvelle ampoule de 40 Watt maximum (E12).

Filtres à charbon (en option)

Si le système n'a pas d'évacuation vers l'extérieur, l'air va circuler à travers des filtres à charbon jetables qui vont aider à éliminer fumée et odeurs.

Les filtres à charbon ne doivent pas être nettoyés. Ils doivent être remplacés.

Les filtres à charbon sont fixés à l'intérieur de chaque filtre anti-graisse (les instructions de montage sont incluses dans le kit de filtre à charbon).

Les filtres à charbon doivent être remplacés lorsqu'ils sont visiblement sales ou décolorés (habituellement après 6 à 12 mois en fonction de l'utilisation de la hotte).

NOTE : NE PAS rincer, ou mettre les filtres à charbon au lave-vaisselle.

NOTE : Les filtres à charbon NE sont PAS inclus dans la hotte.

Ils doivent être commandés chez votre revendeur.

Commander le kit nécessaire en spécifiant votre modèle de hotte et sa largeur.

ENTRETIEN ET NETTOYAGE

- Toujours utiliser le nettoyant le plus doux possible. Utiliser des chiffons, éponges ou essuie-tout propres et doux.
- Frotter les surfaces en inox dans la direction du grain. Essuyer bien les surfaces pour éviter des traces de gouttes d'eau.
- Après le nettoyage, replacer chaque élément à sa place d'origine.

Les produits recommandés ci-dessous ne constituent pas une obligation d'utilisation. Utiliser chaque produit en suivant les indications fournies sur son emballage.

Tableau pour l'entretien et le nettoyage

A	Surfaces en aluminium	La partie supérieure ne peut être enlevée. Laver les parties supérieure et inférieure dans de l'eau savonneuse chaude. Rincer et sécher. NE PAS UTILISER de nettoyants en poudre ou du tampon jex.
B	Filtres en aluminium	Nettoyer les filtres dans le lave-vaisselle ou bien en les agitant dans de l'eau savonneuse. Vérifier qu'il n'y a pas de salissures coincées dans le tamis. Faire sécher les filtres avant de les réinstaller.
C	Surfaces en plastique	NE PAS ENLEVER le bouton de commande. Mouiller à l'aide d'une éponge savonneuse. Rincer et sécher.
D	Surfaces peintes	Pour un entretien normal, frotter la partie extérieure de la hotte avec de l'eau savonneuse, rincer à fond et sécher à l'aide d'un chiffon doux et propre pour éviter les traces de gouttes d'eau. NE PAS UTILISER de nettoyants en poudre ou du tampon jex.
E	Surfaces en inox	Frotter et sécher l'inox dans la direction du grain. Éviter d'appuyer de trop, ce qui pourrait rayer la surface. Pour éliminer les traces de doigts et ajouter encore plus de brillant, utiliser les produits spécifiques. Ne pas nettoyer avec des produits qui doivent rester en contact prolongé avec la surface.

SERVICE À LA CLIENTÈLE

Avant d'appeler pour un service

Si la soufflerie ne fonctionne pas :

- S'assurer que le cordon électrique est adéquatement branché et que le circuit d'alimentation est sous tension.
- Vérifier si l'entrée est complètement levée.
- S'assurer que le bouton de contrôle de vitesse n'est pas en position arrêt.

Pour obtenir un service

Pour de l'information sur les pièces et le service autorisé, téléphoner au 1-800-944-2904.

Nous désirons la satisfaction de nos clients. Si un problème n'est pas résolu à la satisfaction du client, nous le faire savoir.

Écrire au service à la clientèle, BSH Home Appliances, Corp. 1901 Main Street, Suite 600 • Irvine, CA 92614, or call: 1-800-994-2904.

Inclure les numéros de modèle et de série et la date d'achat d'origine/installation.

Nous nous réservons le droit de modifier les données techniques sans préavis. Certains modèles sont certifiés pour une utilisation au Canada. BSH n'est pas responsable des appareils transportés des É.-U. pour une utilisation au Canada. Vérifier auprès d'un distributeur ou d'un marchand canadien.

ÉNONCÉ DE LA GARANTIE LIMITÉE

Couverture de la garantie limitée

La garantie limitée fournie par BSH Home Appliances (« Bosch ») dans cet énoncé de garantie limitée s'applique seulement à l'appareil Bosch qui vous a été vendu (« Produit »), pour autant que le produit ait été acheté :

- Pour une utilisation normale résidentielle (non-commerciale), et qu'il a été utilisé en tout temps pour un usage domestique normal.
- Neuf au détail auprès d'un revendeur agréé BSH ou directement auprès de BSH (pas un présentoir, « tel quel », ou un modèle précédemment retourné), et non destiné à la revente ou à un usage commercial.
- Aux États-Unis ou au Canada et qu'il est demeuré en tout temps dans son pays d'achat.

Les garanties aux présentes s'appliquent à l'acheteur original du produit sous garantie et à tout propriétaire successif du produit acheté pour une utilisation résidentielle habituelle et la durée de la garantie.

Assurez-vous d'enregistrer votre produit ; bien qu'il ne soit pas nécessaire pour appliquer la garantie, c'est le meilleur moyen pour Bosch de vous informer dans le cas peu probable d'un avis de sécurité ou d'un rappel de produit.

Durée de la garantie

Bosch garantit que le produit est exempt de défauts de matériaux et de fabrication pendant une période de trois cent soixante-cinq (365) jours à compter de la date de livraison initiale. La période susmentionnée commence à partir de la date de livraison et ne doit pas être retenue, retardée, prolongée, ou interrompue pour une raison quelconque. Ce produit est également garanti exempt de défauts cosmétiques de matériaux et de fabrication (tels que des rayures sur l'acier inoxydable, des taches de peinture/porcelaine, des éclats, des bosses ou d'autres dommages à la finition) du produit, pendant une période de trente (30) jours à compter de la date de livraison ou de la date de clôture pour les nouvelles constructions. La présente garantie cosmétique exclut les variations légères de couleur causées par les différences inhérentes entre les sections peintes et les sections en porcelaine, de même que les différences causées par l'éclairage de la cuisine, l'emplacement du produit et autres facteurs similaires. La présente garantie cosmétique exclut spécifiquement tous les appareils en montre, de plancher, « tel quel » et remis à neuf.

Réparation ou remplacement : votre recours exclusif

Pendant cette période de garantie, Bosch ou l'un de ses centres de réparations autorisés réparera gratuitement votre produit (sous réserve de certaines restrictions aux présentes) si celui-ci présente des défauts de matériels ou de fabrication. Si des tentatives raisonnables pour réparer le produit sont vaines, alors Bosch remplacera le produit

(un modèle supérieur peut être offert, à la seule discrétion de Bosch, moyennant des frais supplémentaires). Rien dans cette garantie n'exige que les pièces endommagées ou défectueuses soient remplacées par des pièces d'un type ou d'une conception différent de la pièce d'origine. Toutes les pièces ou les composants enlevés demeurent la seule propriété de Bosch. Toute pièce remplacée ou réparée doit être identique à la pièce d'origine aux fins de la présente garantie et la garantie ne sera pas prolongée en regard de telles pièces. La seule responsabilité de Bosch est de faire réparer le produit défectueux uniquement par un centre de réparation autorisé pendant les heures de travail normales. Pour des raisons de sécurité et de dommages matériels, Bosch vous recommande fortement de ne pas essayer de réparer le produit vous-même ou de faire appel à un prestataire de services non agréé ; Bosch décline toute responsabilité en cas de dommages résultant de réparations ou de travaux effectués par un prestataire de services non agréé. Les centres de réparation autorisés sont les personnes ou les entreprises qui ont été spécialement formées sur les produits Bosch et qui possèdent, selon l'opinion de Bosch, une réputation supérieure pour le service après-vente et la capacité technique (il est à noter qu'elles sont des entités indépendantes et non des agents, partenaires, affiliés ou représentants de Bosch). Néanmoins, le fait de confier l'entretien de votre produit à un atelier de réparation non affilié ou à un revendeur agréé Bosch n'annulera pas cette garantie. De plus, l'utilisation de pièces tierces n'annulera pas cette garantie. Nonobstant ce qui précède, Bosch ne sera pas tenue responsable d'aucune façon si le produit est situé dans une région éloignée (supérieure à 100 miles d'un centre de réparation autorisé) ou n'est pas accessible de façon raisonnable, dans un environnement ou un local dangereux, menaçant ou périlleux; dans une telle éventualité, à la demande du consommateur, Bosch pourrait encore payer les frais de main-d'œuvre et de pièces et expédier les pièces au centre de réparation autorisé le plus près, mais le consommateur serait entièrement responsable pour tous les frais de déplacement et autres frais spéciaux encourus par le centre de réparation, en autant qu'il accepte la demande de réparation. En outre, dans la mesure où vous avez installé le produit dans un endroit difficile d'accès ou si vous avez installé des installations temporaires ou permanentes qui créent des obstacles à l'accès ou au retrait du produit, Bosch n'encourra aucune responsabilité ou n'aura aucune responsabilité pour les travaux ou les coûts associés au déplacement du Produit ou à la création d'un accès au Produit afin de le réparer ou de le remplacer. Tous ces frais seront à votre charge exclusive.

Produit hors garantie

Bosch n'a aucune obligation, aux termes de la loi ou autrement, d'offrir toute concession, incluant réparation, prorata ou remplacement de produit une fois la garantie expirée.

Exclusions de garantie

La couverture de garantie décrite dans les présentes exclut tous les défauts ou dommages pour lesquels Bosch serait directement imputable, y compris, sans s'y limiter, l'un ou plusieurs des cas suivants :

- Utilisation du produit autre qu'un usage normal, habituel et de la façon destinée (incluant, sans s'y limiter, toute forme d'utilisation commerciale, d'utilisation ou de rangement d'un produit pour l'intérieur à l'extérieur, d'utilisation du produit de concert avec un transporteur aérien ou marin).
- Mauvaise conduite de toute partie, négligence, mauvaise utilisation, abus, accidents, fonctionnement inadéquat, mauvais entretien, installation inadéquate ou négligente, altération, manquement d'observer les instructions de fonctionnement, mauvaise manipulation, service non autorisé (incluant réparation par le consommateur ou exploration du fonctionnement interne du produit).
- Réglage, modification ou altération de tout type.
- Non conformité aux normes fédérales, provinciales, municipales ou électriques en vigueur au pays, aux codes de plomberie ou du bâtiment, aux réglementations ou aux lois, incluant le non respect d'installer le produit en stricte conformité avec les codes et les réglementations du bâtiment et d'incendie locaux.
- Bris et usure normaux, déversements d'aliments ou de liquides, accumulations de graisse ou d'autres substances dans, sur ou autour du Produit.
- Toute force ou tout facteur externe, élémentaire et / ou environnemental, incluant sans limitation, la pluie, le vent, le sable, les inondations, les incendies, les coulées de boue, le gel, l'humidité excessive ou l'exposition prolongée à l'humidité, la foudre, les surtensions, les problèmes de structure autour de l'appareil et les désastres naturels.
- Demandes de service visant à corriger l'installation de votre Produit, à obtenir des conseils à propos de son utilisation, à remplacer les fusibles de votre maison ou à réparer l'installation électrique ou la plomberie de votre foyer.
- Retrait et remplacement de la garniture ou des panneaux de décoration qui entravent l'entretien du produit.
- Dommages ou défauts résultant de la main-d'œuvre ou de pièces installées par un centre de réparation non autorisé, à moins d'être approuvé par Bosch avant de procéder à sa réparation. En aucun cas, Bosch ne sera tenue responsable de dommages survenus à la propriété environnantes, incluant les armoires, les planchers, les plafonds et les autres objets ou structures situés autour du produit. Également exclus de la garantie sont les Produits dont les numéros de série ont été modifiés, effacés ou enlevés; les demandes de réparations pour enseigner le fonctionnement du Produit ou les visites où il n'y a aucun problème avec le produit; la correction de problèmes d'installation (le consommateur est seul responsable pour toute structure et tout réglage du Produit, incluant l'électricité, la plomberie et les autres raccordements nécessaires, pour une fondation / plancher approprié[e], et pour toute modification

incluant, sans limitation, armoires, murs, planchers, tablettes, etc.) et le réenclenchement de disjoncteurs ou le remplacement de fusibles.

DANS LA MESURE AUTORISÉE PAR LOI, LA PRÉSENTE GARANTIE PRÉCISE LES RECOURS EXCLUSIFS DONT VOUS DISPOSEZ À L'ÉGARD DU PRODUIT, QUE LA DEMANDE SOIT FONDÉE SUR UN CONTRAT OU DÉLIT (Y COMPRIS RESPONSABILITÉ ABSOLUE OU NÉGLIGENCE) OU AUTRE. LA PRÉSENTE GARANTIE REMPLACE TOUTES LES AUTRES GARANTIES, EXPRESSES OU IMPLICITES. TOUTES GARANTIES IMPLICITES AUX TERMES DE LA LOI, QUE SE SOIT LES GARANTIES DE QUALITÉ MARCHANDE OU D'APTITUDE À UN USAGE PARTICULIER, OU AUTRES, SONT LIMITÉES DANS LE TEMPS À LA DURÉE DE CETTE GARANTIE LIMITÉE EXPRESSE. LE FABRICANT NE SERA EN AUCUN CAS RESPONSABLE DE DOMMAGES CONSÉCUTIFS, SPÉCIAUX, ACCESSOIRES, INDIRECTS OU DE « PERTES COMMERCIALES » ET / OU DE DOMMAGES PUNITIFS, DE PERTES OU DE DÉPENSES, Y COMPRIS SANS S'Y LIMITER, ABSENCE DU TRAVAIL, FRAIS D'HÔTEL ET / OU FRAIS DE RESTAURANT, FRAIS DE REMANIEMENT EN EXCÉDENT DES DOMMAGES DIRECTS QUI SONT DÉFINITIVEMENT CAUSÉS EXCLUSIVEMENT PAR BOSCH, OU AUTREMENT. CERTAINS ÉTATS N'AUTORISENT PAS L'EXCLUSION OU LA LIMITATION DE DOMMAGES ACCESSOIRES OU CONSÉCUTIFS, ET CERTAINS ÉTATS N'AUTORISENT PAS LA LIMITATION DE LA DURÉE DES GARANTIES IMPLICITES. PAR CONSÉQUENT, LES EXCLUSIONS OU LES LIMITES SUSMENTIONNÉES POURRAIENT NE PAS VOUS CONCERNER. LA PRÉSENTE GARANTIE VOUS DONNE DES DROITS PRÉCIS RECONNUS PAR LA LOI ET VOUS POUVEZ ÉGALEMENT AVOIR D'AUTRES DROITS QUI VARIENT D'UN ÉTAT À L'AUTRE.

Aucune tentative de modifier, changer ou amender la présente garantie ne peut être valide sans le consentement écrit autorisé par un dirigeant de BSH.

Obtention du service de garantie

Pour obtenir le service de garantie de votre produit, vous devez contacter le service client Bosch au 1-800-944-2904 pour planifier une réparation.

Information sur le produit

Pour référence pratique, copiez l'information ci-après de la plaque signalétique. Conservez votre facture et/ou vos documents de livraison pour la validation de la garantie.

Numéro de modèle (E-Nr.)

Numéro de fabrication (FD)

Date de livraison



IMPORTANTES INSTRUCCIONES DE SEGURIDAD

Leer todas las instrucciones antes de usar el aparato
LEER Y CONSERVAR ESTAS INSTRUCCIONES

ADVERTENCIA

CON EL FIN DE REDUCIR EL RIESGO DE UN INCENDIO DEBIDO A LA GRASA EN LA PARTE SUPERIOR:

- a) Nunca dejar los fogones desatendidos cuando se cocina a fuego alto. Los vertidos pueden causar humo y salpicaduras de grasa que pueden prender fuego. Calentar el aceite lentamente a media o baja temperatura.
- b) ENCENDER siempre la campana cuando se cocina a fuego alto o cuando se flambea la comida (ej: Crepe Suzette, Cerezas al Jubille, Ternera al pimiento flameado)
- c) Limpiar frecuentemente los ventiladores. La grasa no debe acumularse en el ventilador o en el filtro.
- d) Usar cacerolas del tamaño apropiado. Usar siempre utensilios del tamaño apropiado para cada fogón.

ADVERTENCIA

PARA REDUCIR EL RIESGO DE INCENDIO, DESCARGA ELÉCTRICA O DAÑO PARA LAS PERSONAS, OBSERVAR LO SIGUIENTE:

- a) SOFOCAR LAS LLAMAS: con una tapa ajustada, u otra bandeja de metal, después apagar el quemador. SER CUIDADOSO PARA PREVENIR QUEMADURAS. Si las llamas no se apagan inmediatamente, EVACÚAR Y LLAMAR EL CUERPO DE BOMBEROS.
- b) NO RECOJER NUNCA UNA CACEROLA EN LLAMAS - se podría quemar.

- c) NO USAREL AGUA, incluyendo trapos de cocina mojados o toallas – podría causar una explosión de vapor violenta.
- d) USAR el extintor **SÓLO** si :
 - 1) sabe que tiene un extintor clase ABC , y ya sabe cómo usarlo.
 - 2) el fuego es pequeño y contenido en el área donde empezó.
 - 3) se está llamando el cuerpo de bomberos.
 - 4) Puede combatir el fuego de espaldas a una salida.

**SOLO PARA USO GENERAL DE VENTILACION RESIDENCIAL EN LA COCINA.
PARA EVITAR INCENDIOS O EXPLOSIONES NO USAR PARA EXTRAER MATERIALES EXPLOSIVOS O VAPORES PELIGROSOS.**

Sólo para uso interior.

Nota: El aparato al cual se refiere este manual, es fabricado por BSH Home Appliances Corporation.

Cuando los niños llegan a la edad suficiente para usar el el aparato, es responsabilidad legal de los padres o tutores, asegurar que sean instruidos para su uso seguro por personas calificadas.

ADVERTENCIA: Siempre que sea posible, no operar el aspirador mientras que el fuego esté encendido. Sin embargo, no **ALCANCE A TRAVÉS DEL FUEGO PARA APAGAR EL ASPIRADOR.**

TABLA DE CONTENIDOS

Importantes instrucciones de seguridad	16
Características	17
Interruptores de control	18
Cura y limpieza	19
Servicios al cliente	20
Declaración de garantía limitada del producto	21

Advertencias en virtud de la Proposición 65

Este producto puede contener un químico que el Estado de California reconoce como potencialmente cancerígeno o causante de daños reproductivos. Por tanto, su producto debe llevar en su embalaje la siguiente etiqueta de conformidad con la legislación de California:

ADVERTENCIA EN VIRTUD DE LA PROPOSICIÓN 65 DEL ESTADO DE CALIFORNIA:

ADVERTENCIA

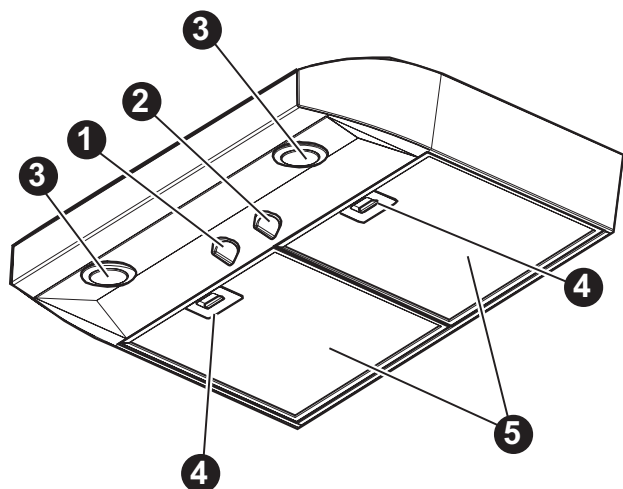
Cáncer y daño reproductivo - www.P65Warnings.ca.gov.

CARACTERISTICAS

Modelos

DUH30252UC

DUH36252UC

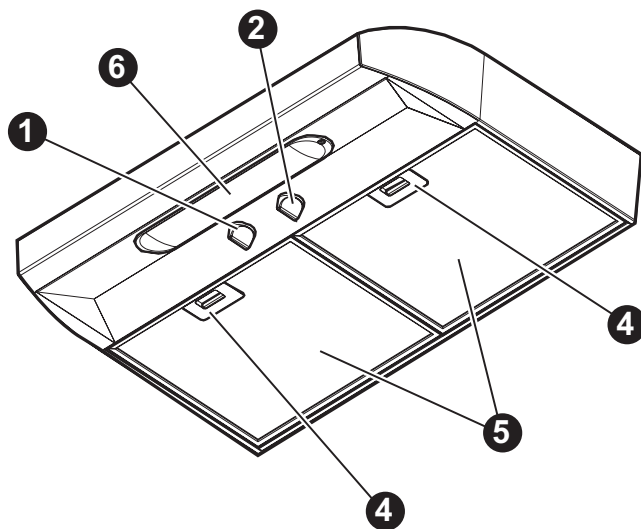


Modelos

DUH30162UC - DUH36162UC

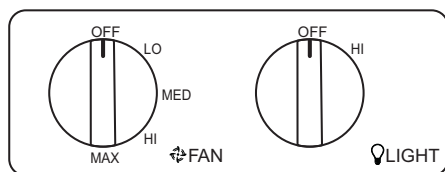
DUH30152UC - DUH36152UC

DUH30122UC - DUH36122UC



1. Interruptor del aspirador
2. Interruptor Luz de control
3. Lámpara halógena (Sólo modelos DUH30252UC - DUH36252UC)
4. Manija del filtro de grasa
5. Filtro de grasa
6. Embellecedor de faro (Sólo modelos DUH30162UC - DUH30152UC - DUH30122UC - DUH36162UC - DUH36152UC - DUH36122UC)

Interruptores de control



Control ventilador

Girar **LO**, **MED**, **HI** o **MAX** (sólo Modelos DUH30252UC - DUH36252UC) como requerido

USAR SIEMPRE EL FUEGO ALTO CUANDO SE USAN LAS PARRILLAS.

PARA MEJORES RESULTADOS

- El uso continuo del sistema de ventilación mientras se cocina ayuda a mantener la cocina más cómoda y menos húmeda.
- También reduce los olores de cocción y reduce la formación del sucio que crea una necesidad frecuente de limpieza
- Encender el aspirador antes de empezar a cocinar.
- Usar un quemador trasero cuando se tuesta o se fríe la carne.
- Abrir una ventana o la puerta ligeramente.
- Limpiar los filtros y la pared detrás de los filtros frecuentemente.
- El aspirador debe quedar encendido unos minutos **antes** de cocinar para establecer una corriente de aire a través de la campana. Así cuando se producen los olores, calor, humo, humedad, grasa, se irán hacia afuera en vez de propagarse en otros cuartos.
- Usar las velocidades bajas para el uso normal y las velocidades más altas para olores fuertes o humos.
- Perdidas a lo largo de la superficie de cocción causarán el escape de calor, humo, humedad, grasa, y olores de cocción de la campana. Tales perdidas deberían prevenirse lo más posible.
- El mejor trabajo de ventilación en la cocina se obtiene cuando las únicas corrientes aéreas son aquéllas creadas por el propio aspirador.
- **Para las superficies de cocción de Gas**, una velocidad más baja debería ser usada, si:
 - la llama de gas se destuerce por el movimiento del aire.
 - el quemador chispea continuamente (hace clic)
 - la llama del quemador repentinamente se apaga.

CONROLES DE LUCES

Girar **Hi** mientras se cocina.

CURA Y LIMPIEZA

La eficacia del sistema de la campana de cocina, depende de la limpieza del producto y de los filtros.
La frecuencia de la limpieza depende de la cantidad y del tipo de cocina.

- No utilizar el sistema de ventilación sin los filtros en su lugar o con los filtros o las superficies de cocción llenas de grasa.



ADVERTENCIA: para evitar el riesgo de incendios y explosiones no utilizar líquidos inflamables o solventes. Desenchufar o desconectar siempre la aplicación de la fuente de alimentación antes de limpiarla.

ADVERTENCIA: asegurarse que la entera campana (filtros y bombillos) se han refrescado y la grasa se ha solidificado antes de limpiar cualquier parte de la aplicación.

Filtros

Los filtros de grasa están hechos de aluminio anodizado y son duraderos.

Para quitar Los Filtros De Grasa

- Apagar el ventilador y las luces
- Empujar cada manija hacia atrás y tirar hacia abajo.

Para sustituir Los Filtros De Grasa

- Procedimiento reverso.

Para limpiar los Filtros

- Se recomienda lavar los filtros por lo menos una vez al mes; pueden ser lavados a mano o en el lavaplatos.
- Drenar el agua a través de los agujeros del borde y dejar secar cada filtro antes de sustituirlo.

Luces



Precaución:

Antes de reemplazar las lámparas, el interruptor debe estar apagado y bloquear el panel, para evitar que se pueda encender accidentalmente.

NOTA: Apagar las luces y el ventilador. Las luces deben refrescarse antes de volver a usarlas. Si las nuevas luces no funcionan, asegurarse que las luces estén insertadas correctamente antes de llamar el servicio de asistencia al cliente.

Reemplazar las Luces

Lámpara de halógeno (sólo modelos DUH30252UC - DUH36252UC)

- Quitar la luz dañada (girar el contador hacia el sentido de las agujas del reloj) y reemplazar con una nueva luz halógena de 120 V, 50, (máximo) 50° para una base de GU10, **apropiado para el uso en luminarias abiertas.**

Lámpara incandescente en forma de aceituna (Sólo Modelos DUH30162UC - DUH30152UC - DUH30122UC - DUH36162UC - DUH36152UC - DUH36122UC)

- Quite el embellecedor de faro destornillando el tornillo lateral, levantándolo hacia el exterior para soltarlo y hacerlo deslizar hacia el lado de la mano derecha y quitarlo completamente.
- Quitar la luz dañada (girar el contador en el sentido de las agujas del reloj) y reemplazar con una nueva lámpara de máximo 40 de W (E12).

Filtros de Carbón Vegetal Opcionales

Si el modelo no tiene una salida hacia el exterior, el aire, recirculará a través de los filtros de carbón vegetal disponibles, que ayudan a quitar humos y olores.

Los filtros de carbón no pueden limpiarse. Deben ser reemplazados.

Los filtros de carbón vegetal se sujetan dentro de cada filtro de grasa de metal (las instrucciones de montaje están incluidas con el equipo).

Los filtros de carbón vegetal deben ser reemplazados cuando están muy sucios o desteñidos (normalmente después de 6-12 meses, dependiendo, del uso de la campana).

NOTA: No enjuagar, o poner los filtros de carbón vegetal en un lavaplatos automático.

NOTA: Los filtros de carbón vegetal **no son** incluidos con la campana.

Deben ser pedidos al proveedor.

Pedir el equipo necesario específico para el modelo de la campana y respetar el tamaño de la anchura.

CURA Y LIMPIEZA

- Usar siempre el limpiador más suave. Usar trapos limpios, suaves, esponjas o toallas de papel.
- Frotar los acabados de acero en la dirección de la veta. Hacer secar el área para evitar que queden marcas de agua.
- Después de limpiar, poner todas las partes en las posiciones apropiadas antes de usar.

Los limpiadores recomendados aquí debajo indican un tipo y no constituyen una promoción. Usar todos los productos según los consejos del paquete.

Grafico de Cura y Limpieza

A	Superficies de Aluminio Anodizado	La tapa superior no es trasladable. Lavar la parte superior y la parte inferior con agua jabonosa caliente. Enjuagar y limpiar a seco o aplicar Fantastic® o Fórmula 409® primero con una esponja limpia o toalla de papel y limpiar. NO USAR los limpiadores en polvo o almohadillas de fibra metálica.
B	Aluminio Filtros de malla	Limpiar los filtros en el lavaplatos o enjuagando en agua jabonosa. Asegurarse que no haya tierra atrapada en la malla fina. Secar los filtros antes de reinstalarlos.
C	Superficies de plástico	NO QUITAR el interruptor de mando. Limpiar con una esponja jabonosa húmeda. Enjuagar y secar los filtros antes de ponerlos.
D	Superficies pintadas	Para la manutención general, limpiar el exterior de la campana con agua jabonosa o con limpiadores como Fantastic® o Fórmula 409®, enjuagar bien y secar con un trapo suave y limpio para evitar que queden las marcas de agua. NO USAR limpiadores en polvo o almohadillas de fibra metálica.
E	Superficies de acero inoxidable	Limpiar y secar el acero inoxidable en la misma dirección de la veta. Evitar usar demasiada presión que pueda estropear la superficie. Para quitar las huellas digitales y aumentar el brillo, usar limpiadores como Stainless Steel Magic. No permitir que cualquier componente de limpieza quede en contacto con el acero inoxidable por un largo periodo.

SERVICIO AL CLIENTE

Antes de solicitar servicio

Si el ventilador no funciona:

- Asegúrese que el cable de alimentación eléctrica esté bien conectado y que el circuito esté activado.
- Revise que la entrada de aire esté totalmente elevada.
- Asegúrese que la perilla de control de velocidad del ventilador no esté en la posición OFF (Apagada).

Cómo obtener servicio

Para información sobre servicio autorizado o refacciones, llame al 1-800-944-2904.

Queremos que usted siga siendo un cliente satisfecho. Si ocurre un problema que no se puede resolver a su entera satisfacción, por favor déjenos saberlo.

Escriba a: Centro de Servicio al Cliente (Customer Support), BSH Home Appliances, Corp. 1901 Main Street, Suite 600 • Irvine, CA 92614, o llame al: 1-800-994-2904.

Favor de incluir el número de modelo, número de serie y la fecha de la compra o instalación original.

Nos reservamos el derecho de modificar las especificaciones o el diseño sin previo aviso. Algunos modelos están certificados para ser usados en Canadá. BSH no es responsable de productos que son transportados desde los Estados Unidos para ser utilizados en Canadá. Consulte a su distribuidor local en Canadá.

DECLARACIÓN DE GARANTÍA LIMITADA DEL PRODUCTO

Qué cubre esta garantía y a quiénes se aplica

La garantía limitada otorgada por BSH Home Appliances («Bosch») en esta Declaración de Garantía Limitada del Producto se aplica únicamente al aparato Bosch vendido a usted («Producto»), el primer comprador usuario, condicionada estrictamente a que el Producto haya sido comprado:

- Para uso doméstico normal (no comercial) y haya sido utilizado en todo momento únicamente para fines domésticos normales.
- Nuevo en una tienda minorista autorizada de BSH o directamente de BSH (que no sea un producto de exhibición ni un producto vendido «en las condiciones en que se encuentre» ni un modelo devuelto anteriormente) y que no esté destinado a reventa ni uso comercial.
- Dentro de los Estados Unidos o Canadá, y que haya permanecido en todo momento dentro del país de compra original.

La garantía descrita aquí es válida para el comprador original del producto cubierto por esta garantía y para todo usuario posterior del producto, adquirido para un uso doméstico, durante el término de la garantía.

Asegurarse de registrar su producto; si bien no es necesario para hacer efectiva la cobertura de la garantía, es la mejor manera de que Bosch pueda enviar una notificación en el caso poco probable de que se emita un aviso de seguridad o se retire del mercado un producto.

Plazo de vigencia de la garantía

Bosch garantiza que el producto no tiene defectos de materiales ni de mano de obra durante un período de trescientos sesenta y cinco (365) días a partir de la fecha de entrega original. Dicho período comienza a contar a partir de la fecha de entrega original y no se interrumpirá, dejará sin efecto, extenderá ni suspenderá por ningún motivo. También se garantiza que este Producto no presenta defectos estéticos en el material ni en la mano de obra (como rayas en el acero inoxidable, imperfecciones en la pintura/porcelana, desportilladuras, astillas, abolladuras ni ningún otro daño en el acabado) del Producto durante un período de treinta (30) días desde la fecha de entrega o fecha de cierre para una nueva construcción. Se excluyen de esta garantía por defectos estéticos las variaciones leves de color que se deban a diferencias inherentes a las piezas pintadas y de porcelana, así como diferencias provocadas por la iluminación de la cocina, la ubicación del producto u otros factores similares. Se excluye específicamente de esta garantía por defectos estéticos cualquier electrodoméstico en exposición, de piso, vendido “en el estado en que se encuentra” o de segunda selección.

Reparación/Reemplazo como único recurso

Durante el período de esta garantía, Bosch o uno de sus proveedores de servicio técnico autorizados reparará el producto sin cargo (sujeto a determinadas limitaciones

especificadas en el presente) si se prueba que el producto ha sido fabricado con un defecto en los materiales o en la mano de obra. Si se ha intentado de manera razonable reparar el Producto sin éxito, Bosch reemplazará el Producto (es posible llegar a disponer de modelos mejorados, a entera discreción de Bosch, por un cargo adicional). Esta garantía no establece que las piezas dañadas o defectuosas se reemplacen por piezas de diferente tipo o diseño a las originales. Todas las partes y los componentes retirados serán propiedad de Bosch, a su entera discreción. Todas las partes reemplazadas y/o reparadas se considerarán como la parte original a los fines de esta garantía y esta garantía no se extenderá con respecto a dichas partes. En virtud del presente documento, la exclusiva responsabilidad y obligación de Bosch es únicamente reparar el Producto defectuoso de fábrica, a través de un proveedor de servicio técnico autorizado por Bosch, durante el horario normal de oficina. Por cuestiones de seguridad y daños materiales, Bosch recomienda categóricamente no intentar reparar el Producto por cuenta propia ni usar un proveedor de servicio técnico no autorizado; Bosch no tendrá ninguna responsabilidad ni obligación por daños ocasionados por reparaciones o trabajos realizados por un proveedor de servicio técnico no autorizado. Los proveedores de servicio técnico autorizados son aquellas personas o compañías que han sido especialmente capacitadas para manejar los productos de Bosch y que tienen, según el criterio de Bosch, una reputación superior de servicio de atención al cliente y capacidad técnica (tenga en cuenta que son entidades independientes y no son agentes, socias, afiliadas ni representantes de Bosch). Sin embargo, llevar su producto a un taller de reparación que no esté afiliado o a un distribuidor autorizado de Bosch no anulará esta garantía. Además, el uso de piezas de terceros no anulará esta garantía. Independientemente de lo antedicho, Bosch no tendrá responsabilidad ni obligación alguna por el Producto que se encuentre en un área remota (a más de 100 millas de un proveedor de servicio técnico autorizado) o en un lugar, área circundante o entorno que no sean accesibles por medios razonables o que sean peligrosos, hostiles o arriesgados; en ese caso, a su solicitud, Bosch de todas maneras pagará por la mano de obra y las partes, y enviará las partes al proveedor de servicio técnico autorizado más cercano, pero el cliente seguirá siendo totalmente responsable por el tiempo de viaje y demás cargos especiales de la compañía de servicio técnico, siempre que esta acepte realizar la visita de servicio técnico. Además, en la medida en que haya instalado el producto en una ubicación de difícil acceso o haya instalado accesorios temporales o permanentes que creen barreras para acceder o retirar el producto, Bosch no incurrirá en ninguna responsabilidad por el trabajo o los costos asociados con el traslado del producto o la creación de acceso al producto para repararlo o reemplazarlo. Todos estos costos serán responsabilidad exclusiva de usted.

Producto fuera de garantía

Bosch no tiene obligación alguna, en virtud de la ley ni por otro motivo, de otorgarle ninguna concesión, incluidos reparaciones, prorrates o reemplazo del Producto, con posterioridad al vencimiento de la garantía.

Exclusiones de la garantía

La cobertura de garantía descrita en el presente documento excluye todos los defectos o daños que no fueron provocados directamente por Bosch, incluidos, entre otros, alguno de los siguientes:

- Uso del Producto de maneras distintas del uso normal, habitual y previsto (incluidos, entre otros, cualquier forma de uso comercial, uso o almacenamiento en exteriores de un producto diseñado para interiores, uso del Producto en aeronaves o embarcaciones).
- Conducta indebida, negligencia, uso indebido, abuso, accidentes, descuido, operación inadecuada, omisión de mantenimiento, instalación inadecuada o negligente, adulteración, omisión de seguir las instrucciones de operación, manipulación inadecuada, servicio técnico no autorizado (incluidos «arreglos» o exploración de los mecanismos internos del aparato realizados por uno mismo) por parte de cualquier persona.
- Ajuste, alteración o modificación de cualquier tipo.
- Incumplimiento de los códigos, reglamentaciones o leyes de electricidad, plomería y/o construcción estatales, locales, municipales o de condado, incluida la omisión de instalar el producto cumpliendo estrictamente con los códigos y reglamentaciones locales de construcción y protección contra incendios.
- Desgaste habitual, derrames de alimentos, líquidos, acumulaciones de grasa u otras sustancias que se acumulen sobre el Producto, dentro o alrededor de este.
- Cualquier fuerza y factor externo, elemental y/o ambiental, incluidos, entre otros, lluvia, viento, arena, inundaciones, incendios, aludes de lodo, temperaturas bajas extremas, humedad excesiva o exposición prolongada a la humedad, rayos, sobrecargas eléctricas, fallos estructurales alrededor del aparato y catástrofes naturales.
- Llamadas al servicio técnico para subsanar el Producto, reemplazar los fusibles domésticos o subsanar el cableado o las instalaciones de fontanería.
- Extracción y sustitución de recortes o paneles decorativos que interfieran con el mantenimiento del Producto.
- Daños o defectos provocados por la mano de obra o piezas instaladas por cualquier proveedor de servicio técnico no autorizado, a menos que este último haya sido aprobado por Bosch antes de realizar el servicio.

En ningún caso Bosch tendrá responsabilidad ni obligación alguna por los daños ocasionados a los bienes circundantes, incluidos los gabinetes, pisos, techos y demás estructuras u objetos que se encuentren alrededor del Producto. También se excluyen de esta garantía los Productos en los cuales los números de serie hayan sido alterados, modificados o eliminados; las visitas del servicio técnico para enseñarle a usar el Producto o las visitas en las que se determine que no hay ningún problema con el Producto; la corrección de los problemas de instalación

(usted es el único responsable de cualquier estructura y soporte del Producto, incluidas todas las instalaciones de electricidad y plomería o demás instalaciones de conexión, de la correcta instalación en bases/pisos, y de cualquier alteración, incluidos, a modo de ejemplo, gabinetes, paredes, pisos, repisas, etc.); y el restablecimiento de breakers o fusibles.

EN LA MEDIDA PERMITIDA POR LA LEY, ESTA GARANTÍA ESTABLECE SUS RECURSOS EXCLUSIVOS CON RESPECTO AL PRODUCTO, INDEPENDIEMENTE DE QUE LA RECLAMACIÓN SEA CONTRACTUAL O EXTRA CONTRACTUAL

(INCLUIDA LA RESPONSABILIDAD OBJETIVA O LA NEGLIGENCIA), O DE CUALQUIER OTRO TIPO. ESTA GARANTÍA REEMPLAZA TODAS LAS DEMÁS GARANTÍAS EXPRESAS O IMPLÍCITAS. LAS GARANTÍAS IMPLÍCITAS POR LEY, YA SEA DE COMERCIABILIDAD O DE APTITUD PARA UN FIN ESPECÍFICO, O DE CUALQUIER OTRO TIPO, TENDRÁN VIGENCIA ÚNICAMENTE POR EL PERÍODO DE VIGENCIA DE LA PRESENTE GARANTÍA LIMITADA EXPRESA. EN NINGÚN CASO SERÁ EL FABRICANTE RESPONSABLE POR LOS DAÑOS CONSECUENTES, ESPECIALES, Y/O DAÑOS PUNITIVOS, PÉRDIDAS O GASTOS, INCLUIDOS, ENTRE OTROS, TIEMPO FUERA DEL TRABAJO, HOTELES O COMIDAS EN RESTAURANTES, GASTOS DE REMODELACIÓN QUE SUPEREN LOS DAÑOS DIRECTOS, QUE DEFINITIVAMENTE HAYAN SIDO PROVOCADOS DE MANERA EXCLUSIVA POR BOSCH O DE OTRA MANERA. ALGUNOS ESTADOS NO PERMITEN LA EXCLUSIÓN O LIMITACIÓN DE DAÑOS INCIDENTALES O CONSECUENTES, Y ALGUNOS ESTADOS NO PERMITEN LIMITACIONES CON RESPECTO AL PLAZO DE VIGENCIA DE UNA GARANTÍA IMPLÍCITA; POR LO TANTO, ES POSIBLE QUE LAS EXCLUSIONES O LIMITACIONES PRECEDENTES NO SE APLIQUEN. ESTA GARANTÍA OTORGA DERECHOS LEGALES ESPECÍFICOS, Y TAMBIÉN PUEDEN CORRESPONDERLE OTROS DERECHOS QUE PUEDEN VARIAR SEGÚN EL ESTADO.

Ningún intento de alterar, modificar o enmendar la presente garantía será válido, a menos que fuera autorizado por escrito por un ejecutivo de BSH.

Obtener el servicio técnico de la garantía

Para obtener el servicio de garantía para su producto, debe comunicarse con el Servicio de asistencia técnica de Bosch al 1-800-944-2904 para programar una reparación.

Información del producto

Para una referencia rápida, copie la información que se encuentra a continuación de la placa de características. Conservar su factura y/o documentos de entrega para la validación de la garantía.

Número de modelo (E-Nr.)

Número de fabricación (FD)

Fecha de entrega



9000403842 09/24
LI2VND

040926



BOSCH

Invented for life

1901 Main Street, Suite 600 • Irvine, CA 92614 • 800-944-2904
www.bosch-home.com • © 2024 BSH Home Appliances