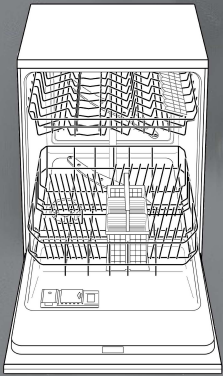




Dishwasher

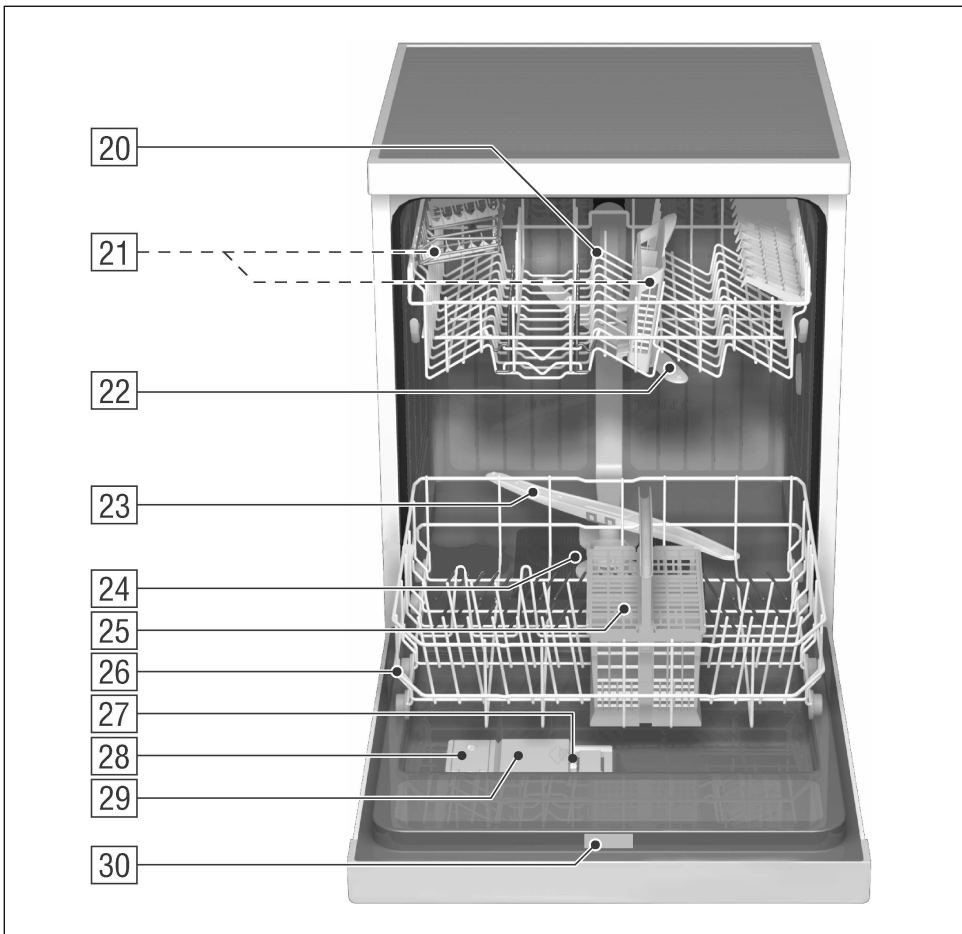
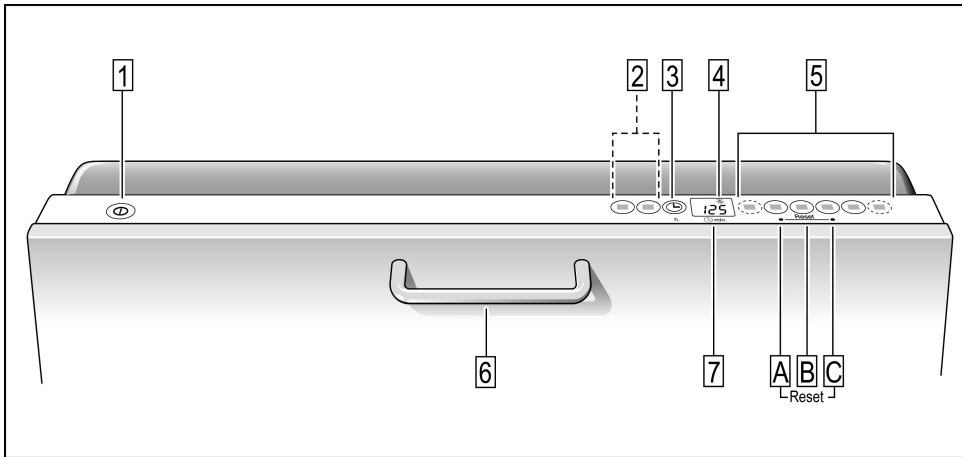


aus Instructions for Use

9000 076 562 (8507-1)



**BOSCH**



## **aus Index**

Safety instructions . . . . .	4	Washing dishes . . . . .	16
Getting to know your appliance . .	6	Additional functions . . . . .	18
Adding rinse aid . . . . .	6	Maintenance and care . . . . .	19
Not suitable for the dishwasher . .	8	Fault finding . . . . .	21
Arranging crockery, glasses, etc. in the dishwasher . . . . .	9	Customer Service . . . . .	24
Detergents . . . . .	13	Information . . . . .	24
Overview of programmes . . . . .	15	Installation . . . . .	25
		Waste disposal . . . . .	26

## Safety instructions

### Delivery

- Immediately check the packaging and dishwasher for any damage which may have been caused in transit. Do not use a damaged appliance, but consult your supplier.
- Please dispose of packaging material properly:
  - The corrugated cardboard consists mainly of waste paper.
  - The polystyrene moulded parts have been foamed without any CFCs.
  - The polyethylene film (PE) consists partly of secondary raw material.
  - The wooden frames (if fitted) are made of residual wood and are untreated.
  - The hoops (if fitted) consist of polypropylene (PP).

### Installation

- Install and connect the appliance according to the installation and assembly instructions.
- The dishwasher must NOT be connected to the power supply during installation.
- Ensure that the protective conductor system of the domestic electricity supply has been installed correctly.
- Electrical connection conditions must correspond with the specifications on the rating plate of the dishwasher.
- If the dishwasher is to be installed in a high-sided unit, ensure that the unit is attached properly and also at the rear.

- Built-under and built-in appliances should always be installed under a continuous work surface which is attached to the adjacent cupboards, in order to ensure that the appliance is entirely stable.
- After the appliance has been installed, the mains plug should still be easily accessible.
- Not on all models:  
The plastic housing on the water input contains an electrically operated valve. The connecting wires are inside the inlet hose. Do not cut through this hose and do not immerse the plastic housing in water.



### Warning

For safety reasons, if the appliance is not fitted in a recess, thereby making a side wall accessible, the door hinge area should be covered at the side.

(Risk of injury)

Covers are available as optional accessories from customer services or specialist stores.

This appliance is not intended for use by young children or infirm persons unless they have been adequately supervised by a responsible person to ensure that they can use the appliance safely.

Young children should be supervised to ensure that they do not play with the appliance.

## In daily use



### Warning

Knives and other utensils with sharp points must be placed in the baskets either flat or with the points downwards.

- Use the dishwasher only in the household and only for its designed purpose, i.e. for washing domestic dishes.
- Do not lean or sit on the open door. The appliance could tip.
- Please note that free-standing appliances may tip over if the baskets are overloaded.
- The water in the appliance is not drinking water.
- Do not add any solvents to the washing chamber. Danger of explosion!
- Open the door carefully when the programme is still running. Water could spray out of the appliance.
- To prevent injuries, e.g. caused by stumbling, open the dishwasher only briefly in order to load and unload the dishwasher.
- Read and observe the safety information and instructions for use on the packaging for cleaning and rinsing agents.

## Children in the household

- Do not let infants play or operate the dishwasher.
- Keep cleaning and rinsing agents out of the reach of infants. These may cause chemical burns in the mouth, throat and eyes or asphyxiation.
- Keep infants away from the open dishwasher. It could contain residue of the cleaning agent.
- If the appliance is installed at eye-level, ensure when opening and closing the door that children are not caught or crushed between the appliance door and the cupboard door situated below.

## Child-proof lock\*

\* some models

Comply with the drawings in the back of the envelope.

- 40 Switch on the child-proof lock
- 41 Open the door with child-proof lock switched on
- 42 Switch off the child-proof lock

When the door is open, the child-proof lock offers no protection.

## If a fault occurs

- Repairs or other work on the dishwasher should only be carried out by a qualified specialist.
- The dishwasher must be disconnected from the electricity supply before any repairs or other work are started. Pull the mains plug out of the wall socket or switch off at the fuse box. Grasp the plug to remove it from the socket; do not tug on the cable. Turn the water off at the tap.

## When disposing of old appliances

- Appliances that have reached the end of their service life should be rendered inoperable in order to exclude the possibility of subsequent accidents. Pull the mains plug out of the wall socket, cut through the connecting cable and disable the door lock.
- Take the appliance to a designated waste disposal centre.



### Warning

Children could get locked in the appliance (risk of suffocation) or get stuck in other positions.

Therefore: Remove the mains plug, cut the mains wire and set aside. Damage the door lock so that the door can no longer be closed.

## Getting to know your appliance

Diagrams of the control panel and the interior of the appliance can be found in the envelope at the front.

Individual positions are referred to in the text.

### Control panel

- 1 Main switch
- 2 Additional options\*
- 3 Time delay
- 4 Rinse-aid refill indicator
- 5 Programme buttons
- 6 Door Opener
- 7 Digital display

\* some models

### Appliance interior

- 20 Upper basket with 2-tiered cup rack
- 21 Additional cutlery basket for the top basket \*
- 22 Upper spray arm
- 23 Lower spray arm
- 24 Filters
- 25 Cutlery basket
- 26 Lower basket
- 27 Lock for detergent dispenser
- 28 Dispenser for rinse aid
- 29 Detergent compartment
- 30 Nameplate

\* not on all models

### You will need to purchase the following before using the dishwasher for the first time:

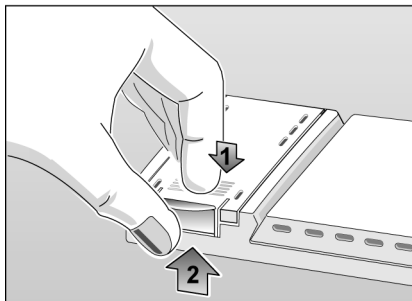
- detergent
- rinse-aid

## Adding rinse aid

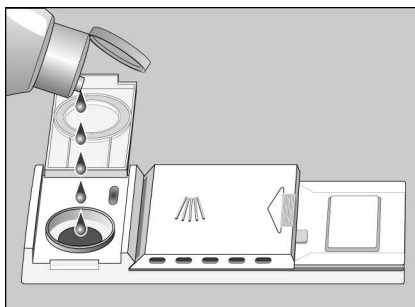
The rinse aid is required for stain-free utensils and clear glasses.

Use only rinse aid for domestic dishwashers.

- Open the cover on the rinse-aid dispenser (28). To do this, press the mark (1) on the cover and simultaneously lift the cover on the control plate (2).



- Carefully pour in the rinse aid to just below the edge of the filler opening.



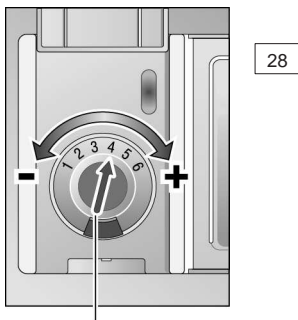
- Close the lid, ensuring that you hear it snap closed.

To prevent excessive foam formation during the next rinse cycle, remove any rinse aid which has run over with a cloth.

## Adjusting the amount of rinse-aid

The amount of rinse-aid added to the water can be varied by adjusting the stepless control. The rinse-aid control has been set to "4" in the factory.

Do not alter the setting of the rinse-aid control unless streaks (turn knob towards "-") or water marks (turn knob towards "+") are left on the dishes.






Rinse aid controller

## Rinse-aid refill indicator

As soon as the rinse-aid refill indicator lights up on the control panel  4, refill with rinse aid.

## Switching the rinse-aid indicator on or off

You can switch the rinse-aid indicator on or off. This function can be changed as follows:

- Hold down the programme button  3 and switch on the main switch  1, then release both buttons. The digital display  3 flashes; in the digital display  7  is indicated (rinse-aid indicator on).
- By pressing the programme button  3 you can switch the rinse-aid indicator off  or on .
- Switch off the main switch  1; the chosen setting has now been stored.



### Note

Do not switch off the rinse-aid indicator unless you are using detergent products with an integrated rinse-aid!

## Not suitable for the dishwasher

### The following should not be cleaned in the dishwasher:

- Wooden cutlery and utensils – these will leach out and become unsightly; even the utilised stickers are not suitable for the temperatures which occur.
- Sensitive ornamental glasses, craft utensil and vases, special antique or ir retrievable utensils. These ornaments are not dishwasher-proof.
- Plastic parts sensitive to hot water.
- Copper and tin utensils.
- Utensils which are soiled with ash, wax, lubricating grease or ink.
- Absorbent materials such as sponges and cloths.

Aluminium and silver parts have a tendency to discolour and fade during the wash cycle. Even some types of glass (e.g. crystal glass objects) may turn cloudy after many wash cycles.

### Recommendation:

In future buy utensils which are identified as dishwasher-proof.

## Damage to glassware and other dishes

### Possible causes:

- type of glass or manufacturing process
- chemical composition of detergent
- water temperature and duration of dishwasher programme.

### Suggested remedy:

- Use glassware or porcelain dishes that have been marked 'dishwasher-proof' by the manufacturer.
- Use a mild detergent that is described as 'kind to dishes'. If necessary, seek further information from detergent manufacturers.
- Select a programme with as low a temperature and as short a duration as possible.
- To prevent damage, take glass and cutlery out of the dishwasher as soon as possible after the programme has ended.

## Arranging crockery, glasses, etc. in the dishwasher

### Loading the dishwasher

- Scrape off any large amounts of left-over food. It is not necessary to rinse the dishes under running water.
- Place objects in the dishwasher in such a way that
  - items such as cups, glasses, pots/pans, etc. are stood upside down,
  - curved items, or those with recesses, should be at a slant so that water can run off,
  - they are stacked securely and cannot tip over,
  - they do not prevent the spray arms from rotating while washing takes place.

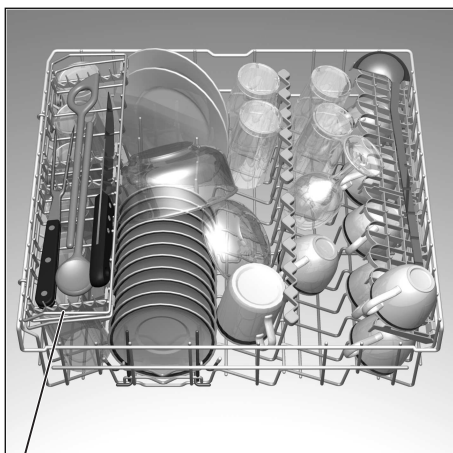
Very small items should not be washed in the dishwasher as they could easily fall out of the baskets.

### Removing the dishes

To prevent water dripping from the top basket onto the dishes in the lower basket, we recommend that you empty the lower basket first and then the top basket.

### Cups and glasses

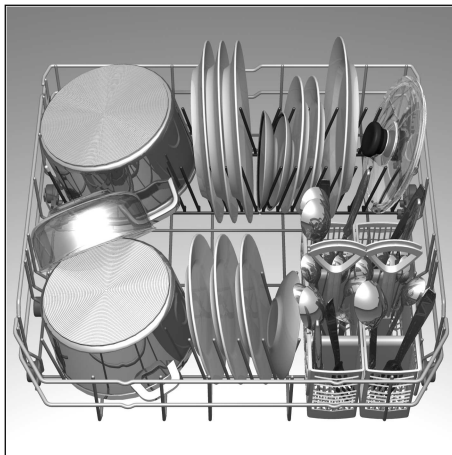
Upper basket 20



\* not included with all models

## Pots and pans

Lower basket 26



### Cutlery

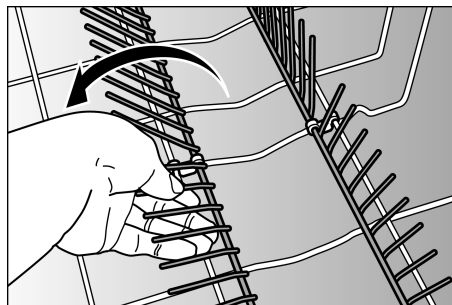
Cutlery should be placed in the dishwasher always unsorted and with the eating surface pointing downwards. The spray jet is then better able to reach the individual parts.

To prevent injuries, place long, pointed accessories and knives on the étagère (some models) or on the knife shelf (available as an accessory).

### Folding spikes \*

\* on applicable models

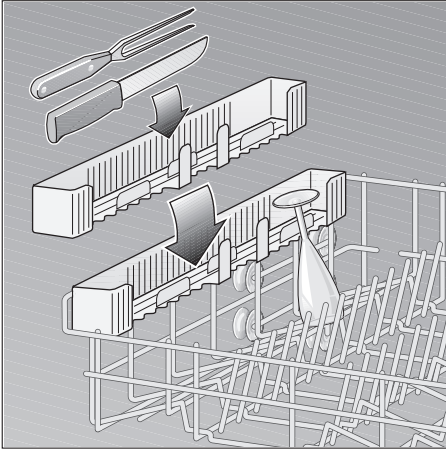
To improve stacking of pots and pans, the spikes can be folded down.



# aus

## Knife rack \*

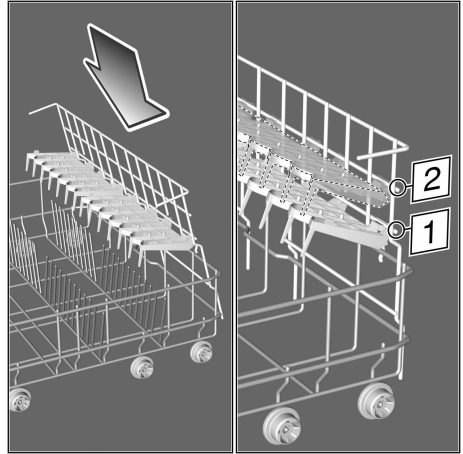
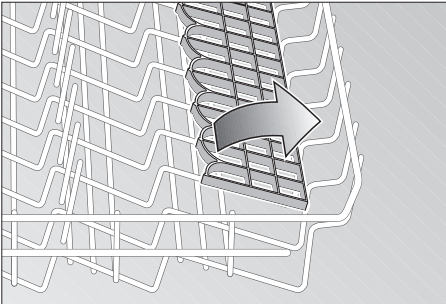
\* on applicable models



## Shelf \*

\* not on all models

Lean tall glasses and those with long stems against the shelf – not against other items to be washed.



The cup shelf can be inserted into either position 1 or 2 as shown in diagram.

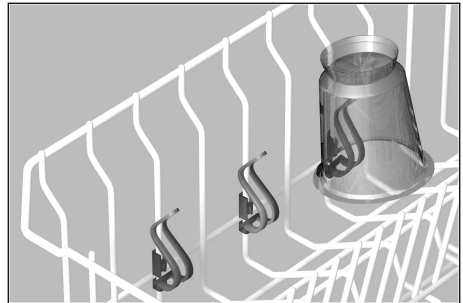
Note: With the cup shelf in position 2, the top basket must be locked into the upper position to prevent interference with each other.

Long items such as serving utensils, kitchen knives, etc should be place on the shelf and not in the cutlery baskets so they do not obstruct the rotation of the spray arms. When not in use the shelf can be fold back.

## Small accessories holder\*

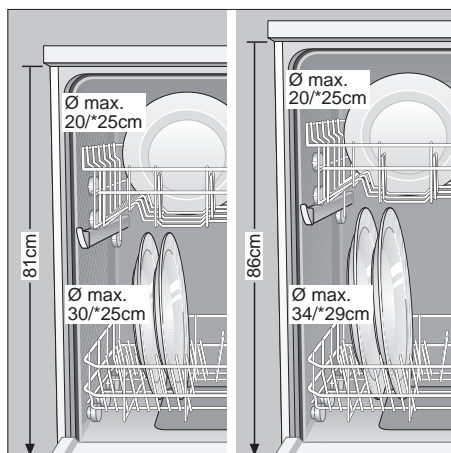
\* some models

Light-weight plastic accessories, e.g. cups, lids, etc. can be held securely in the small accessories holder.



## Adjusting position of basket \*

\* not on all models

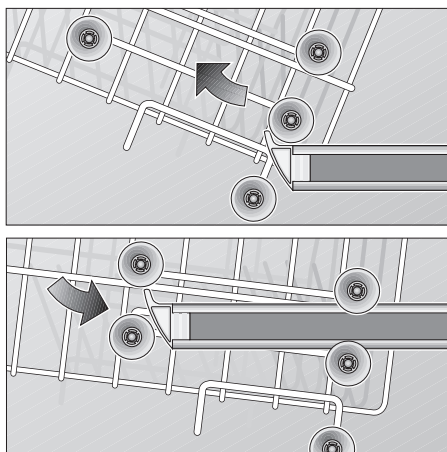


The top basket can be inserted on either its upper or lower rollers, according to requirement. This enables more height to be gained for bigger dishes in either the top or bottom basket.

If required, the height of the top basket can be adjusted in order to create more space for large utensils either in the top or bottom basket.

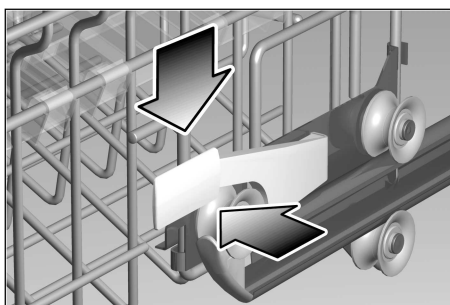
Select one of the two following procedures according to the design of the top basket for your appliance model:

## Top basket with upper and lower roller pairs

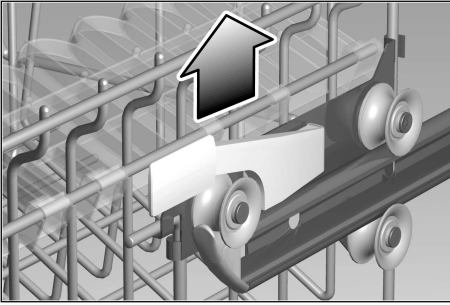


## Top basket with side levers (Rackmatic)

- Pull out the top basket.



- To lower the basket, press in succession the two levers on the left and right sides of the basket. Always take hold of the side of the basket on the upper edge, otherwise the basket will not drop smoothly (and may damage the utensils).



- To raise the basket, take hold of the basket on the upper edge and pull upwards.
- Before you re-insert the basket, ensure that it is at the same height on both sides. Otherwise, the appliance door cannot be closed and the upper spray arm will not connect to the water circuit.

### Baking sheet spray head \*

\* some models

You can clean large baking sheets or grilles with the baking sheet spray head. To do this, remove the top basket and insert the spray head as illustrated in the diagram.



To ensure that the spray jet can reach all parts, arrange the baking sheets as illustrated (max. 4 baking sheets and 2 grilles).



**Note**

Never operate the dishwasher without the top basket or baking sheet spray head!

## Detergents

### Information about detergents

You can use any brand of liquid or powder detergent, as well as tablets, that have been specifically designed for use in domestic dishwashers. (Do not use normal washing-up liquid!)

Nowadays there are three types of dishwasher detergent available:

1. those containing phosphates and chlorine,
2. those containing phosphates but no chlorine,
3. those containing neither phosphates nor chlorine.

When a phosphate-free detergent is used in conjunction with hard water, there is a greater possibility that white marks will be left behind on crockery and glasses, etc. These can be avoided by pouring an increased amount of detergent into the dispenser.

Chlorine-free detergents have a reduced bleaching effect. This can mean that tea stains are not completely removed or plastic items become discoloured.

This can be resolved by:

- selecting a higher temperature programme, or
- increasing the amount of detergent, or
- using a detergent that contains chlorine.

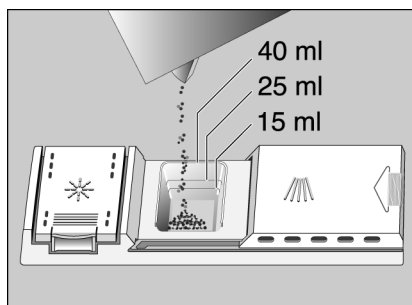
Check the label on the detergent packaging to determine whether a particular product is suitable for use with silverware.

If you have any further questions, we recommend that you contact the customer advice departments of the various detergent manufacturers.

### Detergent compartment with measuring marks

The side of the detergent compartment is marked with lines to help you determine how much powder to add.

The capacity of the detergent container is 15 ml up to the bottom line and 25 ml up to the middle line. When the compartment is full it contains 40 ml.



If the detergent dispenser [29] is still closed, press the lock [27] to open the detergent dispenser.

### Adding detergent

- Fill the dispenser [29] with detergent. Please observe the manufacturer's instructions printed on the detergent packaging when determining the correct dosage.



#### Important

Due to the different solvency properties of the detergent tablets supplied by various manufacturers, the cleaning efficiency of the detergent may not be fully utilised by short programmes. It is recommended to use washing powder for these programmes.

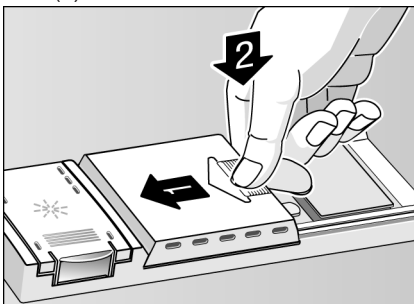
- If using the "Auto 65°–75°" programme, also pour approx. 10–15 ml of detergent onto the appliance door. If using tablets, also place a tablet on the appliance door.



## Reduce costs!

If you are using the upper rack only, or if your dishes are only moderately dirty, it will normally suffice to employ a reduced amount of detergent than otherwise recommended.

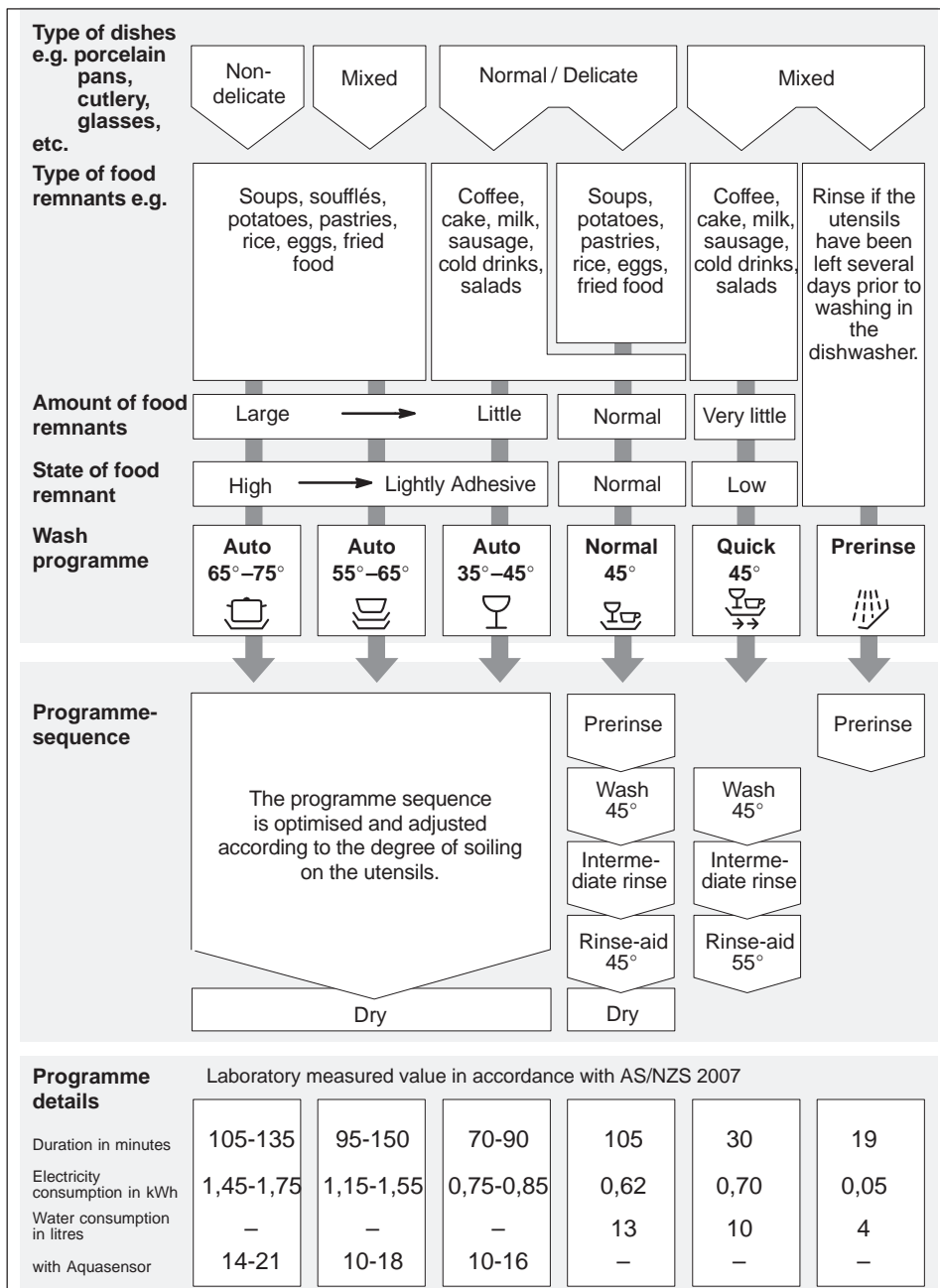
- Close the lid on the detergent compartment.  
Press down the lid (1) until it clicks shut (2).



- If you are using detergent in tablet form, read the manufacturer's recommendations on the packaging in order to determine where the tablets should be placed inside the dishwasher (e.g. in cutlery basket, detergent compartment, etc.).  
Make sure that the lid on the detergent compartment is closed, even if you are using tablets.

## Overview of programmes

The max. possible number of programmes is illustrated in this overview. The corresponding programmes for your appliance can be found on the fascia.



## Washing dishes



### Reduce costs!

If only a small number of dishes have been loaded into the dishwasher, selecting a programme that operates at the next lowest temperature will usually suffice.

### Programme data

The stated programme data are based on standard operating conditions. The values can vary considerably according to:

- different amounts of dishes
- temperature of mains water supply
- pressure of mains water supply
- ambient temperature
- fluctuations in mains voltage
- machine-related factors (e.g. temperature, water volume, ...).

### Aqua sensor \*

\* on applicable models

The Aqua sensor is an optical measuring device which measures the turbidity of the rinsing water. A light barrier can detect dissolved food remnants in the water, e.g. egg, fat and oats.

The Aqua sensor is used according to the programme. When the Aqua sensor is active, "clean" rinsing water may be transferred into the next rinsing bath and/or the temperature adjusted. If the turbidity is greater, the water is drained and is replaced with fresh water. In this way the water consumption is reduced by approx. 4 litres for utensils which are "less" dirty.

## Switching the dishwasher ON

- Turn on the tap.
- Set main switch  1 to ON. Indicators light up according to the last programme that was selected. This same programme will run again if no other programme button  5 is pressed
- The numerical display  7 shows the expected duration of the programme.
- Close door. The programme starts automatically.

### Optical indicator during operation \*

\* With some models

During the rinse programme a light point appears on the floor below the device's door. Only open the dishwasher door when the light point has disappeared.

In the case of built-in dishwashers with flush front the light point will not be visible.

### Remaining running time display

When the appliance has started, the expected programme running time is displayed. The programmed running time is affected by the water temperature, the number of dishes, as well as the degree of soiling. If these conditions are changed, the running time (depending on the selected programme) can vary greatly. As the effect is not detected until a programme is running, the time may be longer or shorter than expected.

## Time delay \*

\* on applicable models

You can delay the start of the programme in 1-hour steps up to 19 hours.

- Switch on the appliance.
- Press the timer programming button **[3]** until the digital display **[7]** jumps to **1h**.
- Keep pressing the timer programming button until the required time is displayed.
- To delete the timer programming, keep pressing the button until **0h** is displayed.

You can change your programme selection at any time until the programme starts.

## End of programme

The end of the programme is indicated by a buzzer. This function can be changed as follows:-

- Hold down Function button **[C]** pressed and switch on main switch **[1]**, then let the buttons go.

Function Button **[C]** flashes, and the digital display indicates the value **2** which was set at the factory (semi-loud).

To change the setting:

Press Function button **[C]**.

Each depression of the button increases the set value by one, when **3** is reached, the display jumps back to **0** (off).

- Switch off the main switch **[1]**. The set value is stored in the appliance.

## Switching the dishwasher OFF

Several minutes after the programme has ended:

- Open the door when the programme has ended.
- Set main switch **[1]** to OFF.
- Turn the water tap off. (Does not apply when Aqua-Stop unit has been fitted)
- Remove dishes, etc. when they have cooled down.

## Interrupting the programme

- Open the door. Caution! There is a risk of water squirting out from inside the appliance. Do not open the door fully until the spray arm has stopped rotating.
- Set main switch **[1]** to OFF.
- Indicator lights extinguish. The programme is retained in the dishwasher memory.

If the hot water was switched ON or the appliance has already heated up and then the appliance door opened, leave the door ajar for several minutes and then close. Otherwise, the appliance door may fly open due to expansion.

- In order to continue with the stored programme, set the main switch to ON again and close the door.

## Cancel programme (Reset)

- Only when the master switch is ON. Press the **[A]** and **[C]** buttons simultaneously, and hold them pressed for approx. 3 seconds. The numerical display shows **0**.
- Close the door.
- The programme continues for approx. 1 min.
- When it has ended, set the main switch **[1]** to OFF.
- Close the detergent compartment **[29]**.

To restart the dishwasher, set main switch **[1]** to ON again and select desired programme.

## Changing the programme

It is possible to change the programme within 2 minutes after you have switched the dishwasher on.

Should it be necessary to change the programme after this period, the programme cycle that has already been begun (e.g. washing) will be completed first of all.

The new remaining time displayed is the sum of the remaining time from the preceding programme cycle and the remaining time attributable to the new programme that has been selected.

## Intensive drying

If the "Intensive drying" function is activated, the temperature of the final rinse is increased in all programmes and you will therefore receive an improved drying result. (Note the higher temperature may not be suitable for fragile utensils.)

- Hold down the programme button **A** and switch on the main switch.
- Release both buttons.  
The digital display **7** flashes **I** (on) or **I** (off).
- To change the setting, press the programme button **A**.
- Switch off the main switch **1**; the setting is stored.

## Additional functions

\* on some models additional functions

**2** can be set with the buttons.

### Pre-Soak \*

The Pre-Soak programme option serves to perform a pre-soak cycle before the main programme. This cycle enables cookware, e.g. pans, bowls, etc. to be pre-soaked and pre-rinsed in the lower rack. If you wish to pre-soak the dishes, this programme option must be selected by pressing the "Pre-Soak" button before the programme starts. The recommended detergent amount is approx. 5 g poured onto the inside of the door.

### Time reduction/ time saving \*

Pressing the "Time reduction/time saving" button provides a short wash cycle by curtailing the drying phase and the washing time. The washing and drying performance will be reduced with the Time reduction/time saving programme option.

### Washing contents of UPPER RACK only \*

If you have a small number of dishes to wash in the upper rack (e.g. glasses, cups, plates), switch on the UPPER RACK function. If you select the UPPER RACK function, the lower rack must be empty. Add a reduced amount of detergent compared to that which is recommended for a full load.

### Washing contents of LOWER RACK only \*

If you have a small number of dishes to wash in the lower rack (e.g. plates, pans, bowls), switch on the LOWER RACK function. If you select the LOWER RACK function, the upper rack must be empty. Add a reduced amount of detergent compared to that which is recommended for a full load.

## Maintenance and care

A regular inspection and maintenance of your machine will help to prevent faults. This saves time and prevents problems. Therefore you should occasionally have a careful look inside your dishwasher.

### Overall condition of the machine

- Check spray arm for grease and limescale deposits.

If you find such deposits:

- Fill the detergent dispenser with detergent, start the appliance without utensils in the programme which has the highest wash temperature.

Clean the appliance with detergents/ appliance cleaners which are particularly suitable for use with dishwashers.

- Regularly wipe the door seal with a damp cloth to remove deposits.

Never use a steam cleaner to clean your dishwasher. The manufacturer is not liable for any consequential damage.

Regularly wipe the front of the appliance and panel with a damp cloth; water and a little washing-up liquid will suffice.

Do not use sponges with a rough surface or abrasive detergents, as these could scratch the surfaces.



### Attention!

Never use other chlorinated household detergents! Health hazard!

### Rinse-aid

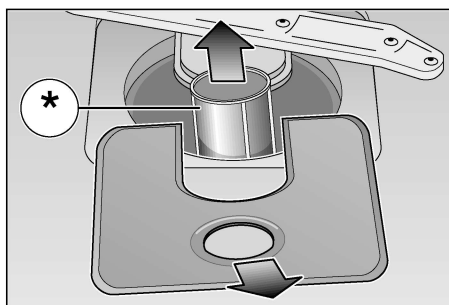
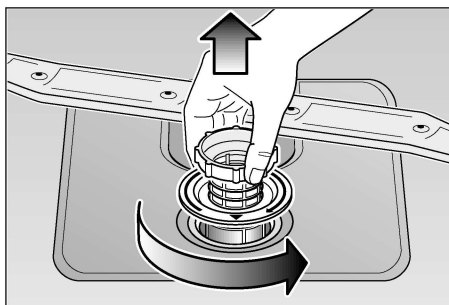
- As soon as the rinse-aid refill indicator lights up on the control panel 4, refill with rinse aid.

## Filters

The filters 24 prevent larger remnants of food or other objects from getting inside the pump. This residue can occasionally clog up the filters.

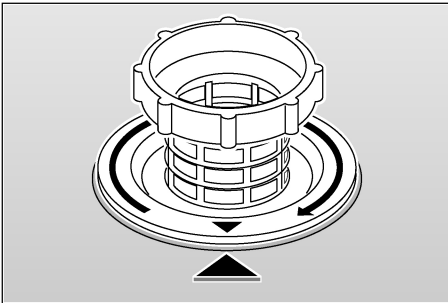
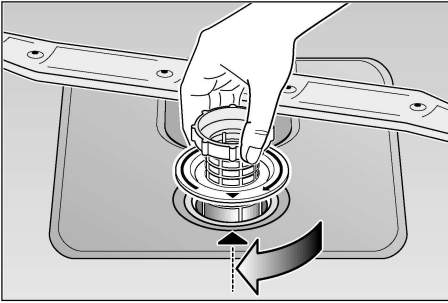
The filter system consists of a filter cylinder, a flat fine filter and, depending on the model, a microfilter (\*).

- Inspect the filters for obstructions every time the dishwasher has been used.
- By unscrewing the filter system, you can remove the filter system. Remove any food remnants and clean the filters under running water.



# aus

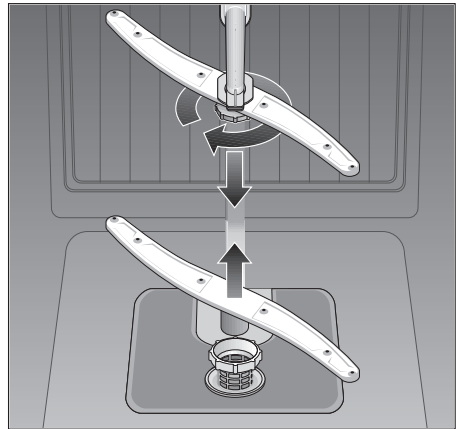
- Reassembly:  
Insert the filter system and screw down with the filter cylinder.



## Spray arms

Lime and remnants of food in the washing water can block the nozzles in the spray arms [22] and [23] and the arm mountings .

- Inspect the nozzles in the spray arms for blocked holes due to remnants of food.
- If necessary, pull the lower arm [23] upwards and lift it off.
- Unscrew the upper spray arm [22] .
- Clean both spray arms under running water.



- Refit the spray arms. Ensure that the lower arm has locked into place and the upper one is screwed tight.

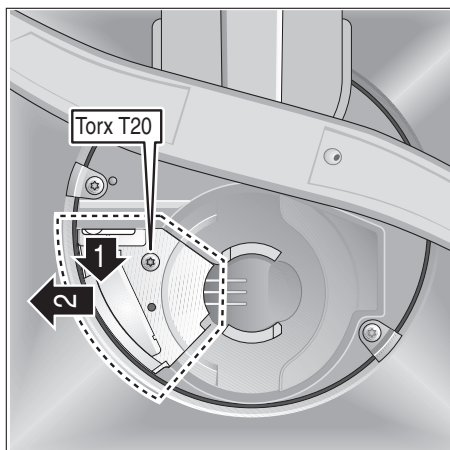
## Pump \*

\* on applicable models

Larger remnants of food that have not been trapped by the filters and have been left in the water can cause a blockage in the pump. The water is no longer pumped out of the dishwasher and it can be seen covering the filter.

Proceed as follows:

- First, always disconnect the appliance from the power supply.
- Ladle out as much water as possible.
- Remove the filters [24](#).
- Undo the screw in the cover (Torx T 20) and remove the cover.
- Inspect the inside and remove any obstructions that you find.
- Re-insert the cover and screw down.
- Re-insert the filters and screw down.



## Fault finding

### Resolving minor problems yourself

Experience has shown that you can resolve most problems that arise during normal daily usage yourself, without having to call out a service engineer. Not only does this save costs, but it also means that the appliance is available for use again that much sooner. The following list of common occurrences and their remedies should help you identify the causes of most problems.

### Problems ...



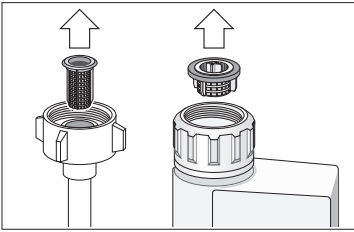
#### Attention

Remember: Repairs may be carried out by a technician only. If a component has to be replaced, ensure that only original spare parts are used. Improper repairs or use of non-original spare parts may cause considerable damage and put the user at considerable risk.

## ... when the appliance is switched on

- **The appliance does not start.**
  - The mains fuse has tripped.
  - The appliance plug has not been inserted.
  - The appliance door has not been shut properly.
  - The tap has not been turned on.
  - The filter on the water supply hose is blocked.

Switch off the appliance and pull out the mains plug. Turn off the tap. Then clean the filter which is situated at the connection of the supply hose. Finally, restore the power, turn on the tap and switch on the appliance.



## ... with the appliance itself

- **Lower spray arm rotates with difficulty**
  - Spray arm is blocked by small items or food remains.
- **Lid in detergent compartment cannot be closed**
  - Detergent compartment has been overfilled.
  - Mechanism is clogged with remnants of detergent. Indicator lamps do not extinguish after washing has finished.
- **Indicator lamps do not extinguish after washing has finished**
  - Main switch is still set to ON.

- **Remnants of detergent stuck inside dispenser**
  - Compartment was damp when it was filled up with detergent. Compartment must be dry before detergent is added.
- **Water remains inside appliance after programme has ended**
  - Blockage or kink in drainage hose.
  - Pump is jammed.
  - Filters are blocked.
  - The programme is still running. Wait for the programme to end (numerical display will indicate 0).
  - Perform “Reset” function.

## ... during washing

- **Unusual amount of foam is created**
  - Normal washing up liquid has been poured into the rinse-aid container.
  - Remove any spilled rinse aid with a cloth as it could otherwise lead to excessive foaming during the next washing cycle.
- **Appliance stops suddenly while washing is taking place**
  - Cut in electricity supply to appliance.
  - Water supply has been interrupted.
- **Knocking sound can be heard while washing is taking place**
  - A spray arm is knocking against the dishes inside the appliance.
- **Rattling sound can be heard while washing is taking place**
  - Crockery has not been stacked properly inside the appliance.

● **Knocking sound coming from inlet valves**

- This is caused by the way the water pipes have been laid and it has no effect upon the way the appliance functions. There is no remedy for this.

**... with the dishes, cutlery, etc.**

● **Remnants of food are stuck to the dishes, cutlery, etc.**

- Dishwasher was not loaded properly. Jets of water could not reach all parts of the dishes, etc.
- Too many items in the rack.
- Items in the rack were touching each other.
- Not enough detergent was added to dispenser.
- Selected wash programme was not intensive enough.
- Rotation of spray arm was obstructed by dish, etc.
- Nozzles in spray arm are blocked by remnants of food.
- Filters are blocked.
- Filters have been incorrectly fitted.
- Waste-water pump is jammed.

● **Plastic items are discoloured**

- Not enough detergent was added to dispenser.

● **White stains are left on crockery, glasses have a milky appearance**

- Not enough detergent was added to input compartment.
- Amount of rinse-aid was set too low.
- Although water is quite hard, no salt has been put in appliance.
- Water softener was set too low.
- Lid on salt container is not screwed tight.
- If you used a phosphate-free detergent, try a detergent containing phosphates and compare results.

● **Dishes, cutlery, etc. have not been dried**

- Selected programme did not include drying function.
- Amount of rinse-aid was set too low.
- Items were removed from dishwasher too soon.

● **Glasses have a dull appearance**

- Amount of rinse-aid was set too low.

● **Tea stains or traces of lipstick have not been completely removed**

- Detergent does not have a sufficient bleaching effect.
- Washing temperature was set too low.

● **Traces of rust on cutlery**

- Cutlery is not sufficiently rustproof.
- Salt content in washing water is too high.
  - Lid on salt container is not screwed tight.
  - Too much salt was spilt while filling container.

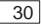
● **Glasses become clouded and discoloured; coating cannot be wiped off**

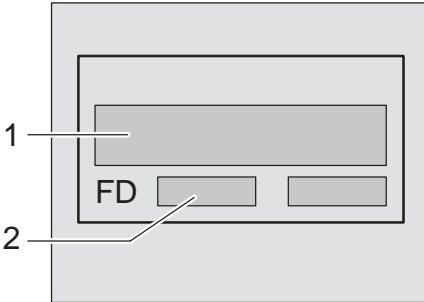
- Unsuitable detergent was used.
- Glasses are not dishwasher-proof.

● **Smears left behind on glasses and cutlery; glasses have acquired a metallic appearance**

- Amount of rinse-aid set too high.

## Customer Service

Please call your local service agent, if you are not able to resolve any problem yourself. The name of your nearest service agent is shown in the Customer Service address list. When you call, please provide details of the model number (1) and the production (FD) number (2) which are shown on the nameplate  on the appliance door.



### Warning

Please note that a visit by the customer service technician in the event of a fault or one of the problems previously discussed is not free of charge even during the warranty period.

## Information

### Notes on comparison tests

You will find details of the conditions for the comparison tests on the additional "Notes on comparison tests" sheet. The consumption values for the relevant programmes are given in the introduction.

### General

- Built-under and integrated appliances which are subsequently installed as free-standing appliances must be secured to prevent them from falling over, e.g. by screwing them to the wall or by installing them under a continuous worktop which is screwed to the adjoining units.

## Installation

The dishwasher must be connected by a qualified technician to ensure correct operation. The specifications for supply, drainage and connected load must fulfil the required criteria as stated in the following paragraphs or in the installation instructions.

Install the appliance in the following sequence:

- Check the delivery
- Install the appliance
- Connect the waste water
- Connect the fresh water
- Connect the power supply

### Delivery

Your dishwasher was checked at the factory to ensure that it was in perfect working order. This may have left some small water stains in the dishwasher. These will disappear after the first rinse cycle.

### Installation

The required installation dimensions can be found in the installation instructions. Using the height-adjustable feet, adjust the appliance until it is level. Ensure that the appliance is standing firmly.

### Waste water connection

See the installation instructions for the required connection steps. If required, attach a siphon with drainage spigot. Using the enclosed parts, connect the waste water hose to the drainage spigot of the siphon.

Ensure that the drainage hose is not kinked, crushed or twisted (ensure that there is no sealing cover which prevents the waste water from flowing away!).

### Fresh water connection

Using the enclosed parts, connect the fresh water connection to the tap according to the installation instructions. Ensure that the fresh water connection is not kinked, crushed or twisted.

When replacing the appliance, always connect a new water supply hose to the water supply. The old supply hose must not be re-used.

#### Water pressure:

Minimum 0,05 MPa (0,5 bar) – maximum 1 MPa (10 bar).

If the water pressure is higher, install a pressure reducing valve.

#### Flow rate:

Minimum of 10 litres per minute.

#### Water temperature:


We recommend cold water connection only.

### Electrical connection

This appliance should only be connected to a 240 V AC source via a properly installed earthed socket. See nameplate for size of required fuse.

The socket must be installed close to the dishwasher.

If you need to extend the mains connecting lead, do not cut off the plug. Replace the whole cable, which can be disconnected at the junction box on the rear of the appliance.

If the domestic wiring includes a residual-current-operated (FI) circuit-breaker, make sure that it bears the  mark, as only this type conforms to the latest regulations

## Disconnecting the dishwasher

Here too, it is important that tasks are carried out in the correct sequence:

always unplug the appliance from the mains electricity first of all.

Pull plug out of wall socket.

Turn off water supply.

Disconnect drain and water input hoses.

Remove screws in underside of work surface. Detach base board, if fitted.

Pull out appliance and carefully withdraw hoses at same time.

## Transporting the dishwasher

Drain water from the dishwasher. Secure all loose parts. The appliance should only be transported in an upright position.

- If the appliance is not kept upright during transport, any water left inside may seep into the control module and cause subsequent errors with programme functions.
- The appliance must be drained in the following sequence:
  - Turn on the tap.
  - Close the door.
  - Set main switch to ON.
  - Select the **B** programme. The programme duration in minutes is shown in the numerical display.
  - Wait for approximately 4 minutes.
  - Terminate the programme by pressing **A** and **C** simultaneously.
  - The time display changes to **0**.
  - Wait a further minute and then switch the appliance off.
  - Turn off the tap.

## Protection from freezing temperatures

If the appliance is installed in a location where there is a risk of freezing temperatures (e.g. in a holiday home), all water must be completely drained out of the interior (see “Transporting the dishwasher”).

Turn OFF the tap, disconnect the supply hose and allow to drain.

## Waste disposal

### Disposal

Old appliances are not worthless rubbish. Valuable raw materials can be reclaimed by recycling old appliances.

Pull out the mains plug of the redundant appliance. Cut off the power cord and discard with mains plug.

To prevent children from locking themselves in the appliance and suffocating, destroy the door lock and childproof lock (if fitted).

You received your new appliance in a protective shipping carton. All packaging materials are environmentally friendly and recyclable.

Please contribute to a better environment by disposing of packaging materials in an environmentally-friendly manner. All plastic parts of the appliance are identified by internationally standardised symbols (e.g. >PS< polystyrene).

When the appliance is being disposed of, the plastic waste can be sorted for environmentally-friendly recycling.

Please ask your dealer or inquire at your local authority about current means of disposal.

## Disposal of the packaging

- Please dispose of the packaging material in an environmentally friendly manner.  
Keep children away from shipping carton and packaging components. Danger of suffocation from folding cartons and plastic film.
  - Corrugated cardboard consists mainly of wastepaper.
  - The moulded polystyrene parts do not contain any chlorofluorohydrocarbons.
  - The polyethylene film (PE) consists partly of secondary raw materials.
  - The wooden frames (if fitted) are made of untreated residual wood.
  - The hoops (if fitted) consist of polypropylene (PP).

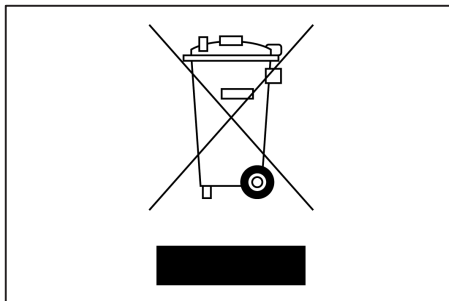
## Disposal of redundant appliances

- Make redundant appliances unusable to prevent subsequent accidents.
- Dispose of the appliance in an environmentally friendly manner.



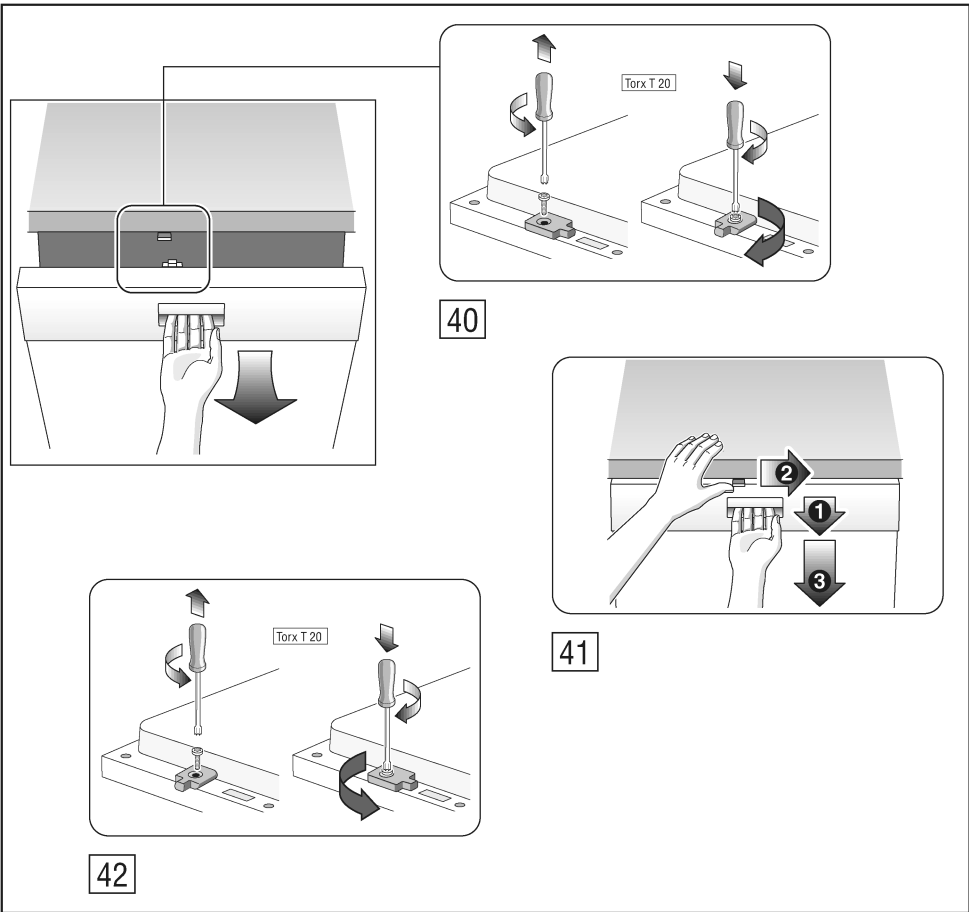
### Warning

Children could become locked in the appliance (risk of suffocation) or find themselves in other dangerous situations. Therefore: Pull out the mains plug, sever and dispose of the power cord. Destroy the door lock so that the door can no longer be closed.



This appliance is labelled in accordance with European Directive 2002/96/EG concerning used electrical and electronic appliances (waste electrical and electronic equipment – WEEE). The guideline determines the framework for the return and recycling of used appliances as applicable throughout the EU.

**aus** Subjekt to modification



Robert Bosch Hausgeräte GmbH  
Carl-Wery-Straße 34  
81739 München

To contact us directly, use the tel. no or fax no. in the  
enclosed customer service list.

**Bosch Info-Team:**  
**DE Tel. 0180 / 5 30 40 50** (EUR 0,12/Min. DTAG)  
**AT Tel. 0660 / 59 95**

**Internet:**  
**<http://www.bosch-hausgeraete.de>**

9000 076 562 aus (8507-1)  
638v+