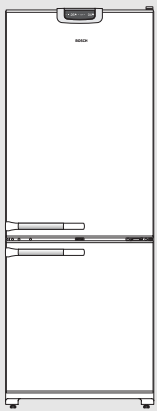




KGU ...



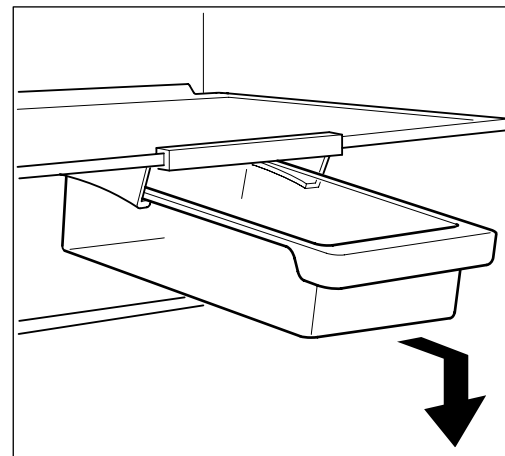
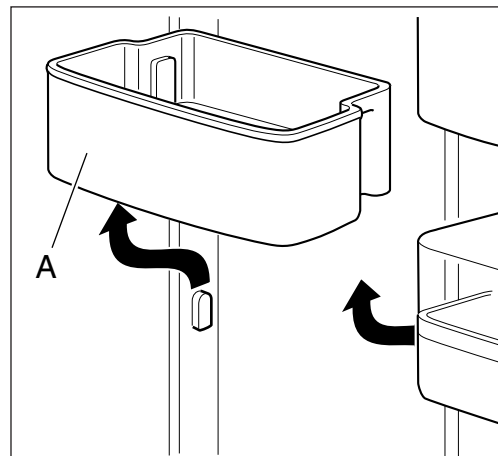
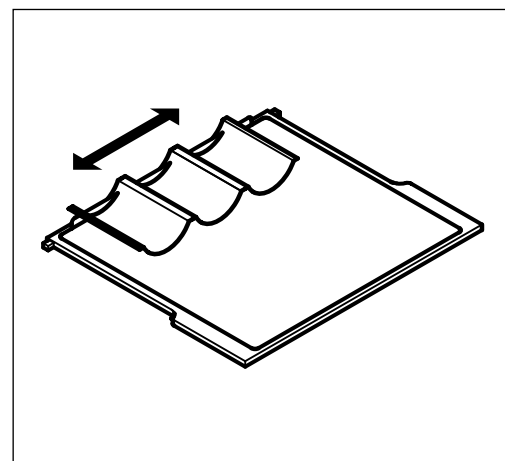
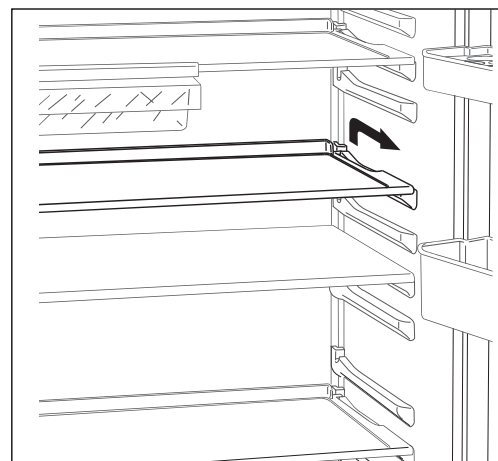
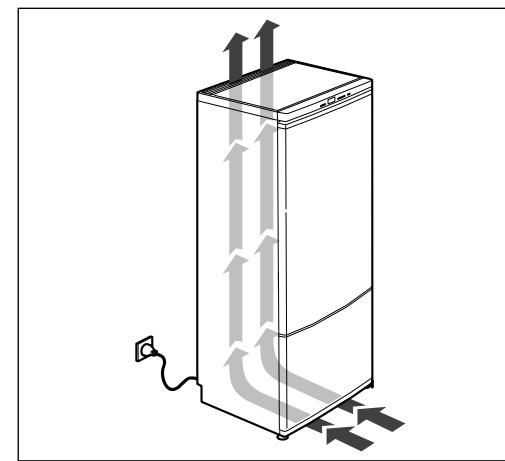
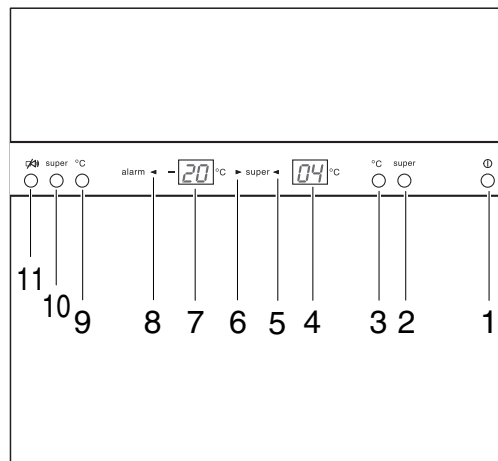
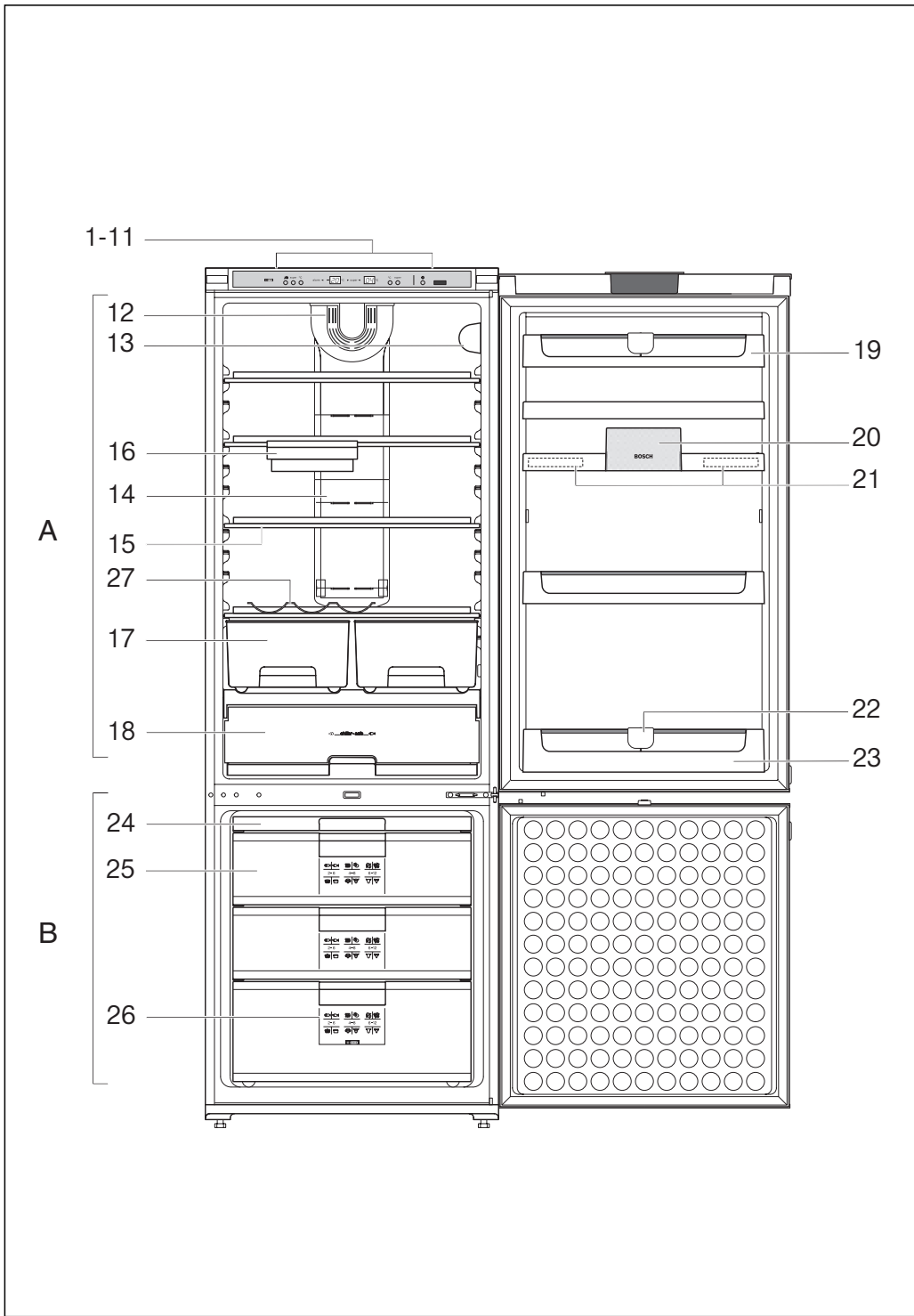
en Instructions for use

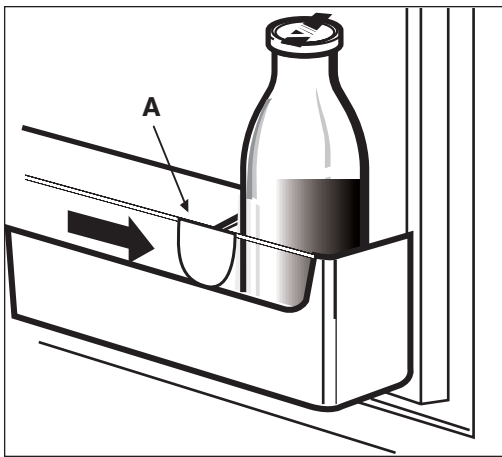


Household Appliances

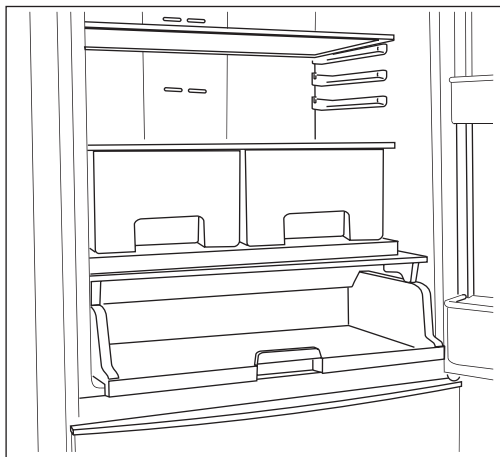
9000056982

BOSCH

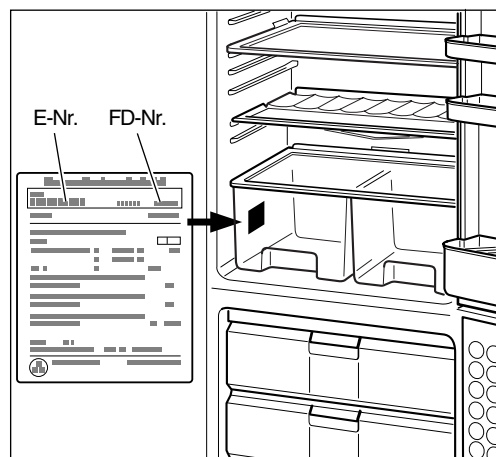




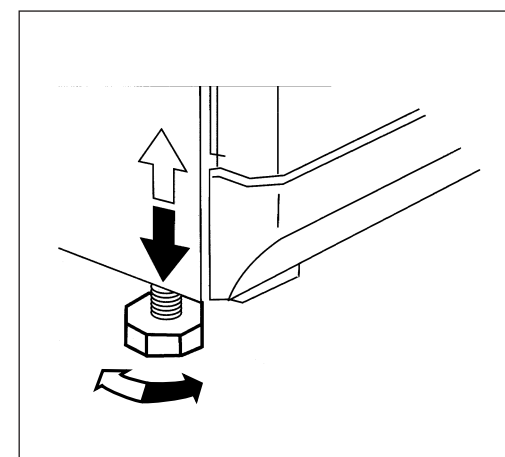
8



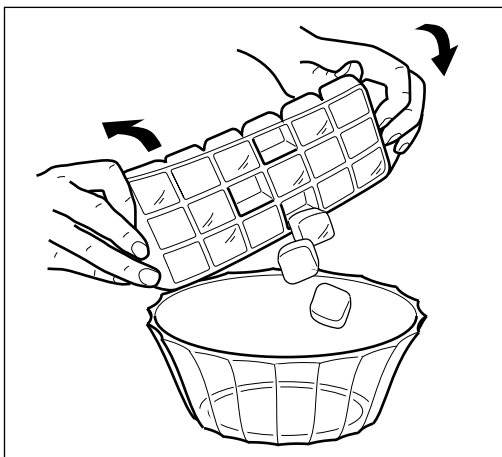
9



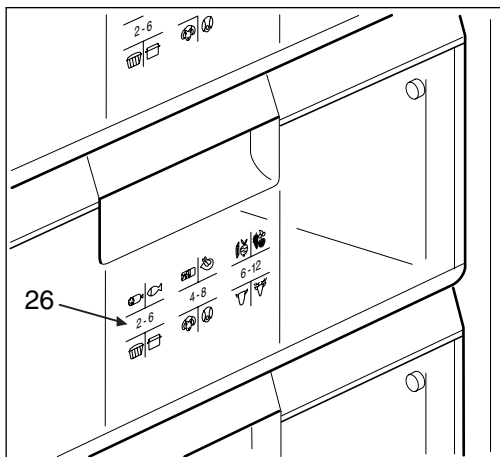
14



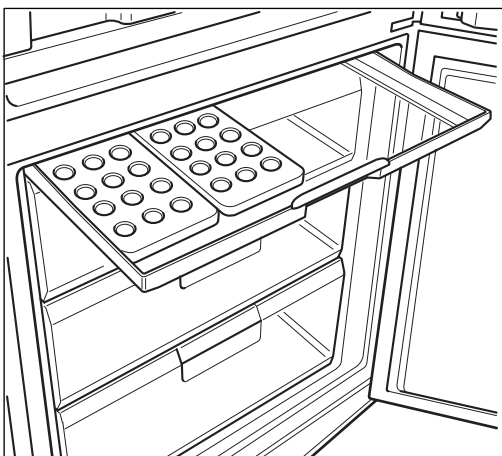
15



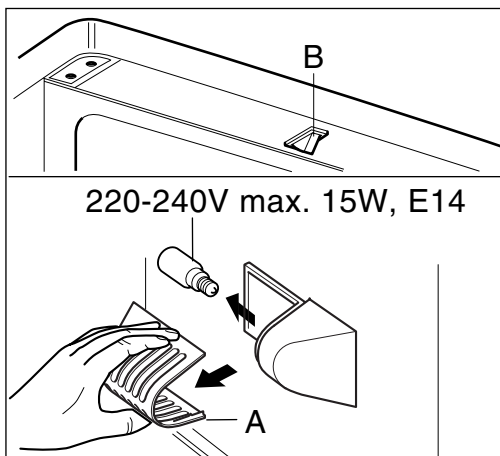
10



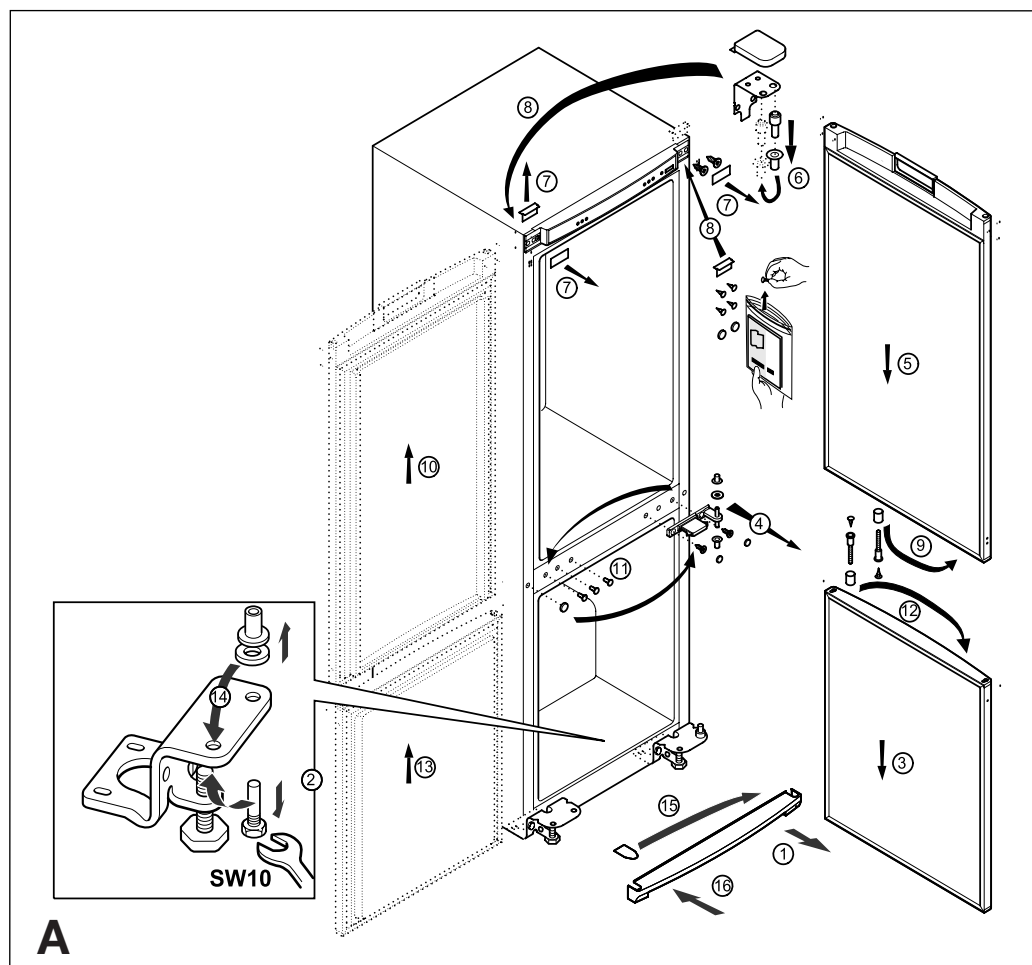
11



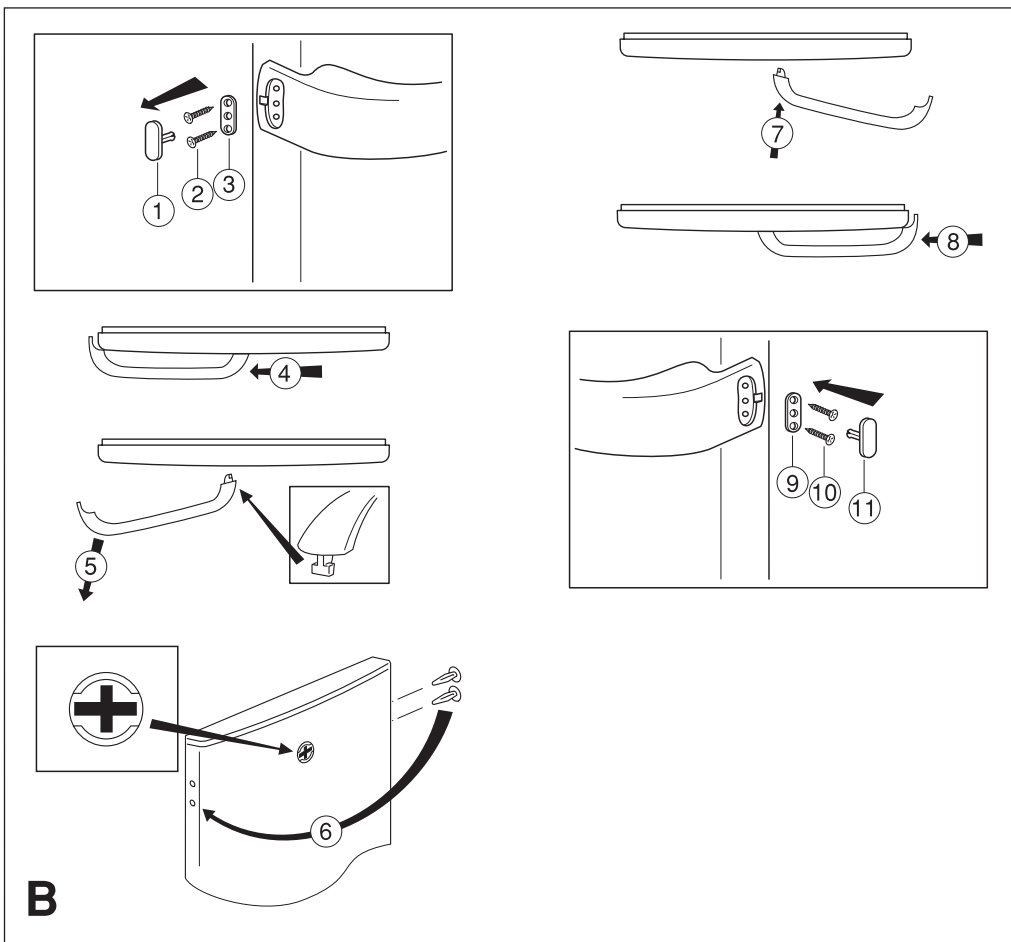
12



13



16



16

en

- Remove closing part, screws and washer (1-2-3)
- Push handle approx. 5mm through outside (4)
- Pull handle carefully without turning (5)
- Remove and replace hole closing pins (6)
- Apply the handle disassembly operation from 5 to 1 for fixing of the handle (7-8-9-10-11)

Subject to modification

ROBERT BOSCH HAUSGERÄTE GMBH
 Carl-Wery-Str. 34,
 81739 München

9000056982 en (8501)

en Index

Disposal and safety information	3, 4
Regulations	4
Observe ambient temperature	4
Installation	5
Getting to know your appliance	6-8
Switching ON and setting temperatures	9
Switching OFF and longer periods of disuse	10
Food arrangement	10, 11
Freezing and storing	11-13
Cleaning	14
Power saving tips	15
Information about operating noises	15
Minor problems and how to rectify them yourself	16, 17
Customer Service	17

Disposal and safety information

Notes on disposal

Old appliances still have some residual value. An environment-friendly method of disposal will ensure that valuable raw materials can be recovered and used again.

Unplug your old appliance, cut through the mains cable and throw away cable and plug together.

Remove the door lock so that children at play cannot become trapped inside and risk suffocation.

The refrigerant used in fridge/freezers and the gases in the insulation material require special disposal procedures. Ensure that none of the pipes on the back of the appliance are damaged prior to disposal.

Your new appliance was protected by adequate packaging while it was on its way to you. All materials used for this purpose are environment-friendly and suitable for recycling. Please contribute to protecting the environment by disposing of the packaging appropriately.

Do not allow children to play with any parts of the packaging. There is a risk of suffocation by the cardboard boxes and plastic wrapping.

Up-to-date information concerning options for disposing of your old appliance and the packaging from the new one can be obtained from your retailer or local council office.



This appliance is labelled in accordance with European Directive 2002/96/EG concerning used electrical and electronic appliances (waste electrical and electronic equipment - WEEE). The guideline determines the framework for the return and recycling of used appliances as applicable throughout the EU

As a contribution to environmental protection, we use recycled paper.

Safety information

Before starting the appliance for the first time, you should read the information contained in the operating and installation instructions carefully. This information is vital for the installation, operation and servicing of the appliance.

Keep the operating and installation instructions in a safe place and remember to hand them over to any subsequent owner. The manufacturer shall not be liable if the following instructions are not observed:

- The appliance is not intended for use by young children or inform persons without supervision
- Young children should be supervised to ensure that they do not play with the appliance.
- Never start up an appliance showing any signs of damage. If in doubt, consult your dealer.
- Installation and connection of the appliance must be carried out according to the installation instructions. Supply conditions and data must coincide with the data on the rating plate.
- Do not under any circumstances use a steam cleaner on this appliance. The steam could come into contact with live parts of the appliance and cause a short-circuit or electric shock.
- Electrical safety of the appliance is only guaranteed if the household earthing system has been installed in compliance with regulations.
- Disconnect appliance from the mains in case of malfunction and when cleaning or servicing the appliance. Either withdraw the plug or turn off at the fuse. Pull the plug itself and not the cable.
- Repairs and maintenance of the appliance should only be performed by a qualified technician. Incorrect repairs carried out by someone unqualified are a potential source of danger that may have critical consequences for the user of the appliance.
- Bottles containing high-proof alcoholic drinks should be properly sealed and stored standing up.

Disposal and safety information

Products that make use of a flammable propellant gas (e.g. whipped cream sprays, aerosols) and explosive substances should not be stored inside this appliance – explosion hazard!

- Liquids in bottles and cans, in particular carbonated drinks, should never be stored in the freezer as the bottles and cans will burst.
- Do not cover or block the vents or grilles of your appliance.
- Do not use the base panel, pull-out parts, doors etc. to stand or lean on.
- Do not allow children to play with this appliance.
- If the appliance is fitted with a lock, keep the key in a safe place out of the reach of children.
- Never put ice cubes or ice lollies straight from the freezer into your mouth. (The low temperature may cause “freezer burns”.)
- Never touch any frozen food if your hands are wet, as they may stick to it.
- **WARNING:** Keep ventilation openings, in the appliance enclosure or in the built-in structure, clear of obstruction.
- **WARNING:** Do not damage the refrigerant circuit.
- **WARNING:** Do not use electrical appliances inside the food storage compartments of the appliance, unless they are of the type recommended by the manufacturer.



This unit contains the coolant isobutane (R 600a), a natural gas which is very environmentally friendly but also combustible. When transporting and installing the unit care must be taken to ensure that none of the refrigeration circuit components become damaged. In the event of damage avoid naked flames or ignition sources and ventilate the room in which the unit is placed for a few minutes.

Warning - Do not use mechanical devices or other artificial means to accelerate the defrosting process, other than those recommended by the manufacturer.

Regulations

The appliance is suitable for refrigerating and freezing food, and making ice cubes.

It is designed for domestic use.

If using the appliance for commercial purposes, please observe the statutory regulations applicable for the trade sector in question.

The appliance adheres to current German regulations for the prevention of accidents caused by refrigerating equipment (VBG 20).

This product meets all the relevant safety regulations applicable to electrical appliances.

The refrigerating circuit has been leak-tested.

Observe ambient temperature

Depending on the “climatic category” (see rating plate), the appliance can be operated at the following ambient temperatures. (The rating plate can be found inside the appliance at the bottom left-hand side. Fig. 14).

Climatic category	Ambient temperature from ... to
SN	+10 °C to 32 °C
N	+16 °C to 32 °C
ST	+18 °C to 38 °C
T	+18 °C to 43 °C

If the temperature drops below the ambient-temperature range, the refrigerator compartment will become too cold. If the temperature exceeds the ambient-temperature range, the freezer compartment will become too warm.

If the ambient temperature drops below the set temperature in the refrigerator, the latter will drop to the ambient temperature.

At ambient temperatures below +10 °C, functional irregularities may occur during automatic defrosting of the refrigerator interior.

Installation

Siting

A dry and adequately ventilated room is the best location for installing the appliance. Remember that the appliance should not be exposed to direct sunlight, nor should it be close to a direct source of heat such as a cooker, radiator, etc. Where installation close to a heat source is unavoidable, ensure that a suitable insulating panel is used or maintain the following minimum clearances between the appliance and the heat source:

3 cm clearance (electric cookers)
30 cm clearance (oil or coal-fired stoves).

If the appliance is placed next to another refrigerator or freezer, keep a minimum 2 cm clearance at the side in order to prevent condensation.

The appliance must be stable and level. To compensate for an uneven floor, use the two height-adjustable feet at the front of the appliance, Fig. 15.

Two castors at the rear of the appliance facilitate installation into a recess.

Changing over door hinges

Proceed in numerical sequence (Fig. 16).

Electrical connection

Only connect appliances to a 220–240 V/ 50 Hz a.c. supply by means of a safety socket installed in accordance with regulations.

Make sure that the socket is protected by a 10 amp fuse or higher.

With appliances destined for **non-European countries**, check the rating plate to make sure that supply voltage and type of current indicated coincide with the values of your power supply. The rating plate is located at the bottom left of the refrigerator. Figure 14.

In the event that the mains cable needs to be replaced, this must only be carried out by a service technician of the manufacturer.

Warning! NEVER connect the appliance to electronic energy saver plugs (e.g. Sava plug) or to power inverters which convert the direct current to 230 V alternating current (e.g. solar equipment, power supplies on ships).

Ventilation

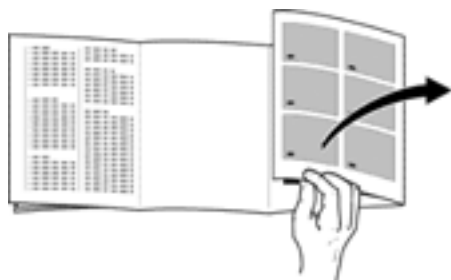
Figure 13

The warm air generated at the back of the appliance must be allowed to escape unhindered. Otherwise the refrigerating machine will have to work harder which in turn increases energy consumption. For this reason, never cover up the vents and grilles.

After shipping ...

Before switching on for the first time, allow the appliance to set vertically for approximately 1/2 hour.

Getting to know your appliance



Before reading on, please unfold the pages at the back of this manual featuring the illustrations.

These operating instructions apply to various models. It is possible that some details of the illustrations do not coincide exactly with the particular characteristics of your appliance.

General view


Figure 1

- 1-11 Control panel
- 12 Air vent opening
- 13 Interior light
- 14 Multiflow system (cold air distributor)
- 15 Shelf
- 16 Drawer for yoghurt cartons
- 17 Fruit and vegetable container
- 18 "Chiller" compartment
- 19 Tray for small cans, tubes
- 20 Butter and cheese compartment
- 21 Egg rack
- 22 Bottle holder
- 23 Bottle shelf
- 24 Freezer tray
- 25 Frozen-food container
- 26 Frozen-food calendar
- 27 Bottle rack

- A Fridge section
- B Freezer section

Control panel (Quick guide)

Figure 2

- 1  **Button**
Appliance main switch for on/off
- 2 **"super" button**
Maximum capacity for Refrigerator Compartment
- 3 **Temperature selection button for Refrigerator Compartment**
Colder/Warmer
- 4 **Display for Refrigerator Compartment:**
Selected temperature
- 5 **"super" display of Refrigerator Compartment**
- 6 **"super" display of Freezer Compartment**
- 7 **Display for Freezer Compartment**
 - a) Selected temperature
 - b) "warmest" temperature
 - c) "AL" (alarm) display
- 8 **"alarm" display**
- 9 **Temperature selection button for Freezer Compartment**
Colder/Warmer
- 10 **"super" button**
Maximum capacity for Freezer Compartment
- 11 **"alarm" button ("alarm off" switch)**
 - a) For switching off the warning buzzer.
 - b) For displaying the warmest temperature which has prevailed in the freezer compartment (only if display 7 flashes).

Getting to know your appliance


The fully automatic NO FROST system ensures that ice does not form inside the freezer section. There is no longer any need for defrosting.

How it works:

The food is frozen by a flow of cold air. The evaporator in the NO FROST system cools the air inside the appliance. The cold air is circulated by a fan. A second fan provides for air circulation in the refrigerator compartment. The moisture in the air condenses on the evaporator which is defrosted fully automatically whenever necessary. The thawed water is directed to the refrigerating unit where it evaporates. The freezer section and the frozen food inside are kept free from ice.

Description of control functions

Figure 2

- 1  **Button**
Appliance main switch, serves for switching on and off the entire appliance.
- 2 **"Super" button for refrigerator compartment**
Used for switching "super cooling" on and off. Display "SU" 4 and display 5 (orange lamp) indicate that "super cooling" is on. When "fast cooling" has been switched on, the refrigerator compartment is cooled for 6 hours at the coldest temperature selector setting. The temperature in the refrigerator compartment is then switched back to the set temperature. "Fast cooling" is ideal for the rapid cooling of beverages.
- 3 **Button for selecting temperature in refrigerator compartment**
(The temperature in the refrigerator compartment can be selected from +2 °C to +8 °C)
Press the selection button repeatedly or continuously until the desired temperature is displayed. (The temperature selection is displayed consecutively from +8 °C to +2 °C. +8 °C is redisplayed after +2 °C).
- 4 **Temperature display for refrigerator compartment**
Indicates **two functions** :
 - a) **Selected temperature for refrigerator compartment**
 - b) **Display "SU" (super cooling)**
When the Super button 2 is pressed, "SU" is displayed.

Getting to know your appliance

5 "super" display (cool)

Illuminates only if "fast cooling" is on.

6 "super" display (freeze)

Illuminates only if "fast freeze" is on.

7 Temperature display for freezer compartment

Indicates **three functions** :

a) Selected temperature for freezer compartment

b) "AL"(alarm) display

Is displayed when the freezer compartment is too warm.

c) "Warmest temperature" in the freezer compartment

If "AL" flashes on display **7**, the freezer compartment was too warm due to a power failure or a fault in the freezer compartment.

When the Alarm Off button is pressed, the warmest temperature reached in the freezer compartment is indicated on display **7** for five seconds.

This value is then cleared – "AL" (Alarm) is then indicated on display **7** without flashing.

8 The "alarm" display

Illuminates and the warning tone sounds simultaneously, when it becomes too warm in the freezer compartment.

This **extinguishes** when the freezer compartment has reached its operation temperature.

9 Button for selecting temperature in freezer compartment

Press the selection button repeatedly or continuously until the desired temperature is displayed. The value last selected is stored. (The temperature selection is displayed consecutively from -13 °C to -26 °C. -13 °C is redisplayed after -26 °C).

Note

"AL" (Fig. ②/7) is displayed if the freezer compartment is too warm caused by a power failure or a fault. The temperature can be selected by pressing the selection button **9**. The selected temperature is displayed for 5 seconds. "AL" is then redisplayed. The selected temperature is displayed as soon as the freezer compartment has reached the selected temperature.

10 "super" button

Serves to switch fast-freeze on and off. Display "SU" **7** and the "Super" display **6** (orange lamp) indicate that "super cooling" is on. The fast freezing serves for freezing of large quantities of fresh food and should be switched on up to **24 hours before placing** the fresh food in the freezer compartment.

The refrigerating unit operates continually after being switched on, a very low temperature is achieved in the freezer compartment.

11 "alarm" button

Serves for switching off the warning buzzer.

The warning buzzer sounds if the freezer temperature is too warm, i.e. if the frozen-food is in danger (display **9** flashes simultaneously).

There are occasions when the warning buzzer may sound without the frozen-food being in any danger:

- when you start up the appliance
- when placing fresh food in the freezer without switching on fast freezing
- and if the freezer compartment door is open too long.

Once the warning buzzer has been switched off, the "acoustic warning" automatically returns to stand-by, if the freezer compartment has reached its operating temperature again.

Switching ON and setting temperatures

Fig. ②

- **Put the plug in the socket.**
- **When the buttons are pressed, an acknowledgement signal is emitted.**
- **Press the appliance main switch 1.** Warning signal is emitted, refrigerator temperature display (4 °C) **4** and "Alarm" display **8** illuminate. "AL" (Alarm) **7** flashes.
- **Press "alarm" button 11.** Press the Alarm Off button **11**. Warning signal stops and the "warmest temperature" is indicated on display **7** for 5 seconds. "AL" **7** stops flashing. The appliance is now running.
- **Set the temperature for the freezer compartment.** Repeatedly press or hold down the selection button **9** until the required temperature is displayed. The value last selected is saved. (The temperature selection is displayed consecutively from -13 °C to -26 °C. -13 °C is redisplayed after -26 °C).

We recommend setting the temperature of the freezer compartment at -20 °C.

Note

"AL" is indicated on display **7** if the freezer compartment is too warm caused by a power failure or a fault. The freezer compartment temperature can be selected by pressing the selection button **9**. The selected temperature is indicated for 5 seconds on display **7**. "AL" is then redisplayed. The selected temperature is indicated on display **7** as soon as the freezer compartment has reached the selected temperature.

● Set the temperature for the refrigerator compartment.

Press the selection button **3** repeatedly or continuously until the desired temperature is displayed. The value last selected is stored. (The temperature selection is displayed continuously from 8 °C to 2 °C. 8 °C is redisplayed after 2 °C). We recommend setting the temperature of the refrigerator compartment at 4 °C.

Note

- The temperature in the refrigerator compartment may fluctuate because:
 - The appliance door is opened frequently
 - Large quantities of fresh food are placed in the refrigerator compartment and/or freezer compartment
 - The ambient temperature changes
 - The temperature-selector setting for the freezer compartment changes or "super" freeze has been activated.
- **To prevent condensation in the area of the door seal, the sides of the housing are partially heated.**

Switching OFF and longer periods of disuse

Switching OFF

Press the main switch, Figure ②/1. The whole appliance is then switched off.

Longer periods of disuse

If the appliance is not going to be used for a longer period of time:

Press the main switch, Figure ②/1, clean the appliance and leave the doors open.

Food arrangement

When loading the food, note the following:

- Allow warm food and beverages to cool down before storing inside the appliance.
- Ensure that food is well wrapped or covered before it is stored. This will prevent food from dehydrating, deteriorating in colour or losing in taste and will help maintain freshness. It will also prevent cross-flavours. Vegetables, fruit and salad need not be wrapped provided they are stored in the vegetable bins of the refrigerator.
- Never let any oil or grease come into contact with plastic fittings or the door seal as these materials easily become porous.
- Never store any explosive substances inside the appliance. High-proof alcohol should only be stored upright in tightly sealed containers.
Danger of explosion!
- Glass bottles containing liquid that can freeze should never be stored in the freezer as the glass bursts when the contents freeze.

Example of food arrangement

Fig. ①

Refrigerator compartment (A)

Bread, cakes and pastries, ready-made meals and dairy products, from top to bottom on the **shelves (15)**.

Cheese, sausages and yoghurt in the **drawer (16)**.

Fruit, vegetables and salads in the **vegetable container (17)**.

Small bottles and cans on the **shelf (19)**.

Butter and cheese in the **compartment (20)**.

Large bottles on the **bottle shelf (23)**.

Food arrangement

Freezer compartment (B)

Use the **freezer tray (24)** to store small frozen goods and make ice cubes.

Use the **top frozen goods containers (25)** to store frozen foods.

Interior fittings

The shelves in the refrigerator compartment can be re-arranged when the door is opened at a 90° angle. Pull the shelf forwards, lower, pull out and re-insert in the desired position (Fig. ④).

Bottle rack

Bottles can be placed and stacked securely in the recesses (Fig. ⑤).

"Chiller" compartment (Fig. ⑨)

Pull the base of the compartment forwards, the flap opens.

The temperature in this compartment is lower than in the refrigerator compartment. The temperature may therefore drop below 0 °C. Ideal for storing fish, meat and sausage.

But not suitable for lettuce, vegetables and cold-sensitive produce.

The small drawer can be taken out to facilitate insertion and removal of food (Figure ⑦).

The egg racks inserted into the door shelves can be folded up to enable tubes, small tins, etc. to be stacked in their place.

The bottle rack is provided with a retainer to prevent bottles from falling over when the door is opened or closed, Figure ⑧/A.

All trays, racks and containers attached to the door can be removed for cleaning purposes.

To remove, simply lift them up, Fig. ⑥/A.

Freezing and storing

Note the following when buying frozen food

- Inspect packaging: it should not be damaged in any way.
- Make sure the "Best before ..." date has not expired.
- Check thermometer of the vendor's freezer. It should read -18 °C or colder.
- Ensure that the frozen foods are the last items to be bought. Wrap in several layers of newspaper or place in a thermo-insulated bag and take home at once. Store frozen products in the freezer without delay.

Freezing at home

If freezing at home, use only foodstuffs which are absolutely fresh and in perfect condition.

Foodstuffs that freeze well

Meat, cold slices and sausage, poultry and game, fish, vegetables, aromatic herbs, fruit, bread and pastries, pizza, precooked meals, leftovers, egg yolks and whites.

Foodstuffs not suitable for freezing

Whole eggs in their shells, soured cream and mayonnaise, lettuces, radishes, horseradish and onions.

Blanching vegetables and fruit

It is advisable to blanch vegetables and fruit before freezing in order to preserve colour, flavour, aroma and vitamin C. (To blanch, bring a large saucepan of water to a fast boil and completely immerse fruit or vegetables briefly. Most book stores offer a wide selection of literature on freezing which will also deal with blanching.)

Wrapping food

Pack the food in portions suitable for your household.

Vegetable and fruit portions should be no heavier than 1 kg, while meat portions can

Freezing and storing

be up to 2.5 kg. Smaller portions freeze through more quickly and the quality is thereby maintained better when defrosting and preparing the food.

It is important to seal food airtight before freezing to prevent it from losing its taste or dehydrating.

Suitable wrapping materials:

plastic foil, polyethylene tubular film, aluminium foil and freezing containers. These items are available from any dealer.

Unsuitable wrapping materials:

wrapping paper, greaseproof paper, cellophane, bin bags or used carrier bags.

Place food in the wrapping, press out any air and seal it airtight.

Suitable sealing materials:

rubber bands, plastic clips, string, freezer tape or similar. Polyethylene tubular film and bags may be heat-sealed using a special sealing iron or press.

Before placing in the freezer, each package should be clearly labelled with the contents and date of freezing.

Maximum freezing capacity

Foodstuffs should be frozen right through as quickly as possible. Only in this way it is possible to retain vitamins, nutrients, appearance and taste. You should therefore never exceed your appliance's maximum freezing capacity.

Within 24 h a max 9 kg of food for 60 cm width appliances, can be frozen at once in the upper compartments.

Food that is already frozen should never come into contact with fresh food about to be frozen.

Allow hot food and drinks to cool down to room temperature before placing in the freezer.

Super cooling

If you are going to buy fresh food you should switch on super cooling 3-4 hours before or at the latest when placing fresh food in the refrigerator. To switch on "super cooling" simply press the "super cooling" button (Fig. ②/2). Display "SU" (Fig. ②/4) and the "Super" display (Fig. ②/5) indicate that "super cooling" is on. "Super cooling" reduces the temperature in the refrigerator compartment for 6 hours. Then the appliance automatically switches to the temperature, which was selected prior to "super cooling"

Fast freezing

If frozen food is already being stored in the freezer, you should switch on fast freeze several hours before putting in fresh food to freeze.

Normally, it will suffice to switch on fast freeze 4-6 hours ahead. If you are planning to make full use of maximum freezing capacity, switch on 24 hours in advance. Smaller quantities of food (up to 2 kg) can be frozen without the fast freeze facility. To switch on "super" freeze, simply press the "super" freeze button, Fig. ②/10.

Display "SU" (Fig. ②/7) and the "Super" display (Fig. ②/6) indicate that "super cooling" is on. After switching on, a very low temperature is achieved in the freezer compartment. Fast-freezing switches off automatically approximately **52 hours** after being switched on.

Storage of food

Make sure that all the frozen goods containers are pushed in as far as they will go. This is important so that the air inside the freezer can circulate properly.

Freezing and storing

Frozen food calendar

Figure ⑩ /26

It is important not to exceed maximum permissible storage times in order to avoid impairing the quality of the frozen goods. The actual storage time depends on the type of food. The numbers next to the symbols indicate the permissible storage time in months. In the case of frozen goods purchased from a shop, observe the production date or 'Best before ...' date.

Freezer tray

Fig. ⑫

The freezer tray is suitable for storing ice cube trays and for freezing individual berries, pieces of fruit, herbs and vegetables.

To freeze individual items of food, distribute the produce uniformly on the freezer tray and leave to freeze for approx. 10-12 hours. Then transfer the produce into freezer bags or containers.

To thaw, spread out the individual items of food.

Thawing frozen food

Depending on the nature of the food and the preparation or cooking method you are going to employ, you may choose one of the following thawing methods:

at room temperature,
in the refrigerator,
in an electric oven,
fan-assisted or not,
in the microwave oven.

Food that has been partially or completely defrosted can be refrozen provided that these items are stored at temperatures below +3 °C and for no longer than one day where meat and fish is involved, or no longer than 3 days for other items.

Otherwise, provided that taste, smell and appearance remain unchanged, you can boil, fry or process the food further into a ready-made dish and then refreeze.

Observe that in this case the admissible shelf-life will be shorter than normal.

Making ice-cubes

Fig. ⑩

Fill the ice-cube tray three-quarters full with water and place it in the freezer.

Twist the tray slightly to remove the ice-cubes.

Cleaning

Before cleaning, you should always unplug the appliance and/or switch off or disengage the household fuse.

Do not use a steam cleaner. The hot steam could damage the surface of the appliance or the electrical components – electric shock hazard!

Ensure that cleaning water does not get into the control panel or any of the lights. Lukewarm water with a little mildly disinfectant detergent such as washing-up liquid is ideal for cleaning the entire appliance, except the door seal. Never use cleaning agents containing abrasives, acids, chemical solvents or polishers.

Simply clean the door seal with clear water and dry thoroughly afterwards.

If possible, the heat exchanger (black grid) at the back of the appliance should be cleaned with a brush or vacuum cleaner every two years. This will maintain the full efficiency of the appliance and helps to save electricity.

*Important information for the care of stainless steel surfaces

A trial pack of "Chromol" cleaning agent is enclosed with the appliance.

TO RETAIN THE HIGH-QUALITY APPEARANCE OF YOUR APPLIANCE, TREAT THE STAINLESS STEEL SURFACES OF THE APPLIANCE IMMEDIATELY AFTER INSTALLATION WITH THE LIQUID CLEANING AGENT "CHROMOL". REPEAT THIS TREATMENT AT REGULAR INTERVALS.

This cleaning agent is available on the market under the name "Chromol" or from your customer service under

Ident. no. 310359 as a 500 ml spray can

To prevent damage to surfaces, under no circumstances use abrasive sponges, metal brushes, sharp-edged implements or scouring agents. Chemically aggressive cleaning agents, such as defrosting sprays, oven sprays, solvents or stain removers must not be used either.

Attention!

Keep out of the reach of children.

Never use on surfaces which come into contact with food.

Do not use on hot surfaces.

Contains aliphatic hydrocarbons, oils and aromatic compounds.

* not on all models

Power saving tips

- Install the appliance in a cool, dry room with adequate ventilation. Ensure that it is not exposed to direct sunlight and never put it near a direct source of heat (radiator, etc.).
- Never block any vents or grilles on the appliance.
- Allow warm food to cool down before placing in the appliance.
- Put frozen food in the refrigerator to thaw. You can then use the low temperatures of the frozen products to cool food in the refrigerator.
- Do not keep the door of the appliance open for too long when loading or taking out food. The shorter the time that the door is opened, the less ice will form on the freezer grids.
- Clean the heat exchanger (black grid) at the back of the appliance every two years.

Information about operating noises

Operating noises

In order to maintain the pre-set temperature at a constant level, the appliance compressor switches on from time to time. The noises that can be heard while it is running are perfectly normal. The noise reduces automatically when the appliance reaches its operating temperature.

The **humming noise** is emitted by the motor (compressor). When the motor switches ON, the noise may briefly increase in volume.

The **bubbling, gurgling** or **whirring** noise is emitted by the refrigerant as it flows through the pipes.

The **clicking noise** can always be heard when the thermostat switches ON/OFF the motor.

Cracking noises may occur if ...

- the automatic defrosting is operating.
- the appliance is cooling down or warming up (material expansion).

A multi-zone or No-Frost appliance may cause a **low hissing noise** emitted by the air flow inside the appliance.

If these noises are excessively loud, the causes are probably not serious and are usually very easy to eliminate.

The appliance is not level

Please level the appliance with the aid of a spirit level. Use the height-adjustable feet or place packing under the feet.

The appliance is not free-standing

Please move the appliance away from kitchen units or other appliances.

Drawers, baskets or shelves are loose or stick

Please check the detachable components and, if required, refit them.

Bottles and/or receptacles are touching each other

Please move bottles and/or receptacles away from each other.

Minor problems and how to rectify them yourself

Customer service should NOT be contacted for every fault. Most faults are minor. Therefore, before you call customer service, please check whether you can eliminate the fault yourself based on the following information.

A technician who is called out to rectify a minor fault will charge the customer, even if the appliance is still under guarantee.

If the display, Fig. 2/4-7, does not illuminate:

check that the power is ON, that the plug is correctly inserted in the socket and that the appliance is switched ON.

If "E1" (flashing), Fig. 2/4, is displayed while starting the appliance:

A high temperature prevails in the refrigerator compartment. Several minutes after the appliance is switched on, the selected temperature is displayed.


If "E2" (flashing), Fig. 2/7, is displayed while starting the appliance:

A high temperature prevails in the freezer compartment. Several minutes after the appliance is switched on, "AL" is displayed. The selected temperature is indicated on display 7 as soon as the freezer compartment has reached the selected temperature.

If the refrigerator-compartment light does not function:

- The light bulb is defective. Pull out the mains plug and remove the cover (Fig. 13/A). Replace the defective light bulb with a light bulb of the same type (max. 15 W, 230 V, E14 holder).
- The light switch is sticking. Check whether it can be moved (Fig. 13/B). If not, please call customer service.


If the display, Fig. 2/7, flashes but the acoustic signal is not emitted:
the freezer compartment was too warm due to a power failure or a fault.

After pressing the  "alarm" button, the warmest temperature which has prevailed in the freezer compartment is displayed for 5 seconds on display 7 (not flashing). Afterward, this value is cancelled. Display 7 then indicates the selected temperature without flashing.

If flavour, odour and appearance have changed, make a ready-made meal out of the food and refreeze.

No longer store the frozen produce for the max. storage period.


If "AL" (Fig. 2/7) flashes and the warning signal is emitted after the freezer compartment has been running for a prolonged period :

Fault, freezer compartment is too warm !
To switch off the warning signal, press the "Alarm" Off button 11 .

The warmest temperature reached is then displayed.

Possible causes of the fault:

- The clearance at the top of the appliance or in the base is blocked,
- The freezer-compartment door has not been closed correctly,
- Fresh food was frozen without Fast freeze,
- Too much fresh food was frozen at once,
- High ambient temperature.

When the fault has been rectified, press the "Alarm" Off button 11 . "AL" stops flashing. The selected temperature is displayed as soon as the freezer compartment has reached the selected temperature.

If the freezer section door has been kept open for a long time and the temperature inside now no longer reaches the pre-set level,

so much ice has formed on the evaporator (source of cold temperature) that it cannot be defrosted by the fully automatic defrosting system. In this case take the frozen goods out of the freezer, wrap them well to keep them cold and store them somewhere cool.

Minor problems and how to rectify them yourself

Switch off the appliance and open the freezer section door. After about 12 hours the ice on the cooling system will have thawed. Switch the appliance on again and put the frozen goods back inside.

If you are not able to rectify the problem with the help of the suggestions listed here, please call Customer Service.

Do not open the door more often than necessary, so that the cold temperature inside is retained for as long as possible.

Do not take any further action, especially with regard to the electrical parts of the appliance.

Customer Service

Rating plate

Figure 14

When you call Customer Service you will be asked for the 'E' number and 'FD' number for your appliance.

Both numbers are shown in a box with a black border on the rating plate. This is located inside the fridge section, at the bottom left-hand side next to the vegetable container.

The address and telephone number of your nearest Customer Service is listed in the customer service directory or else in any telephone directory.