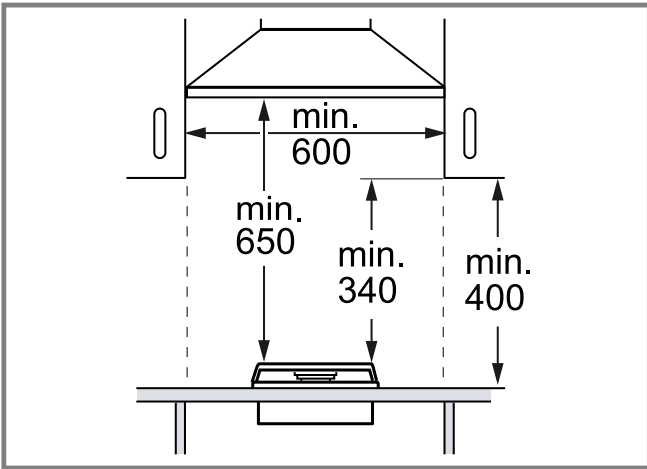




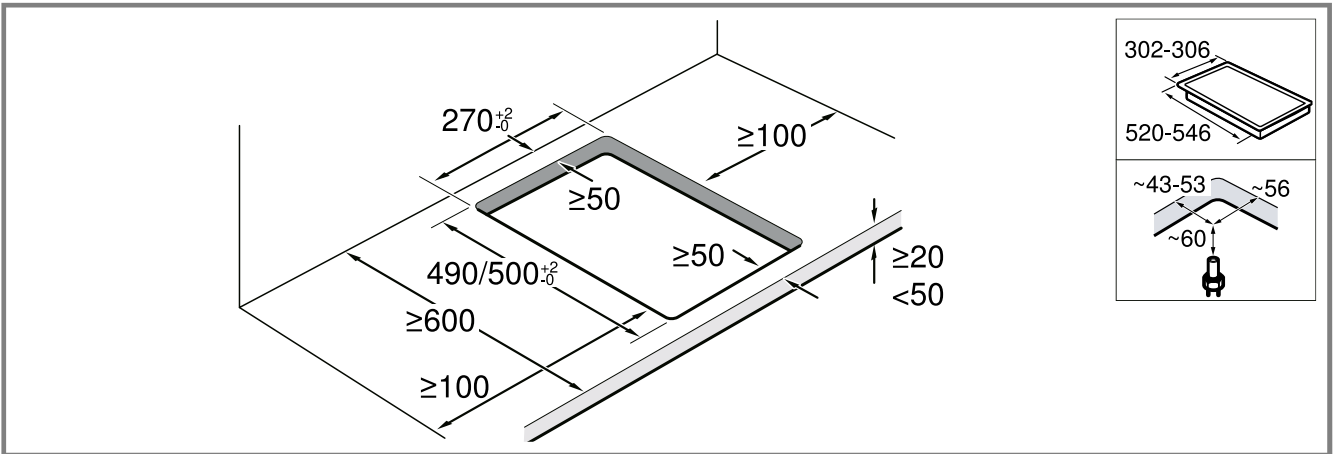
# en Installation instructions



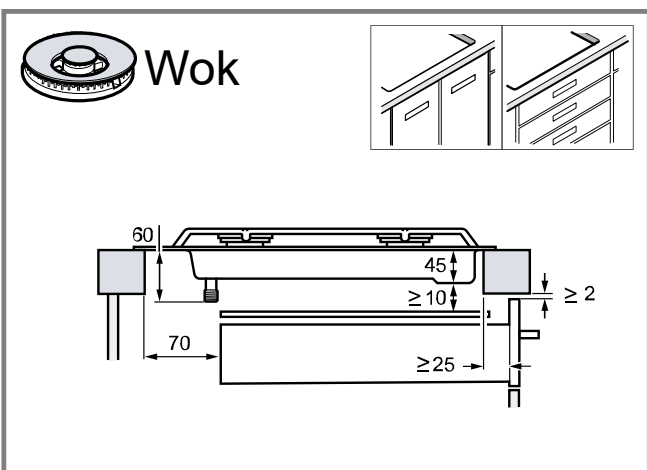
mm



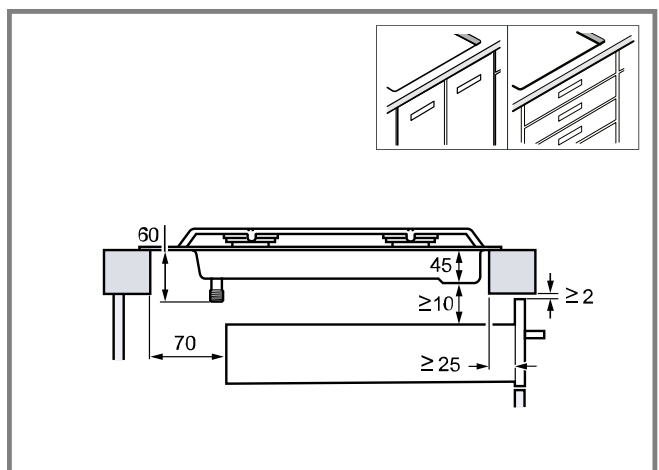
1



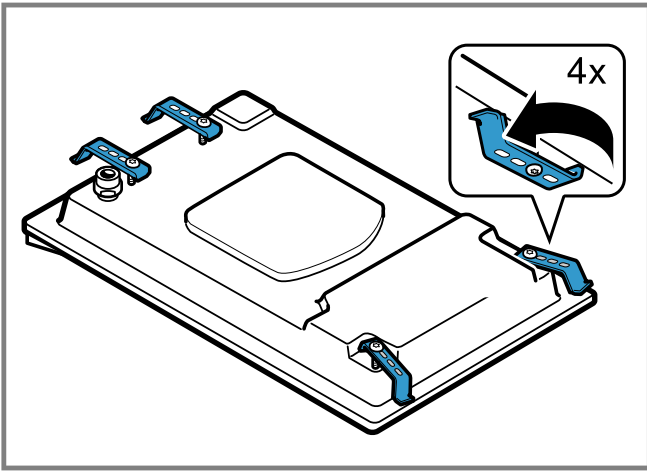
2



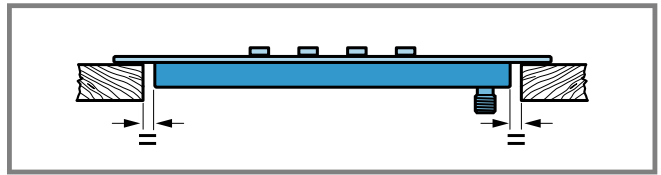
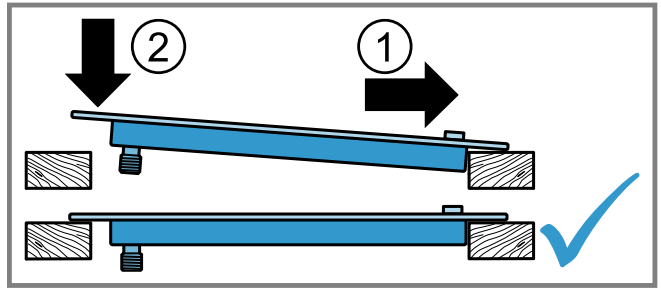
3



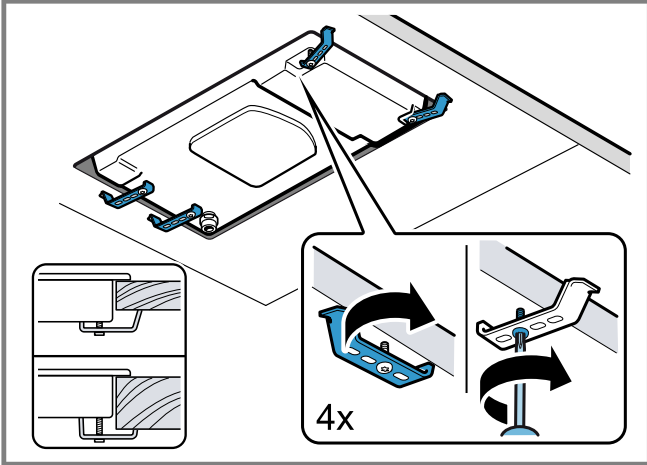
4



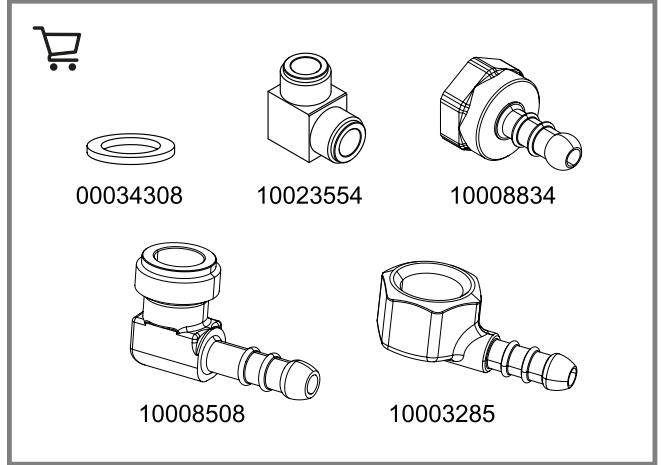
5



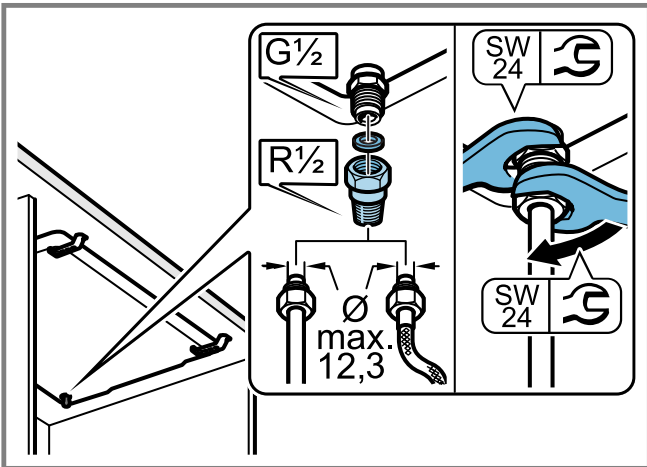
6



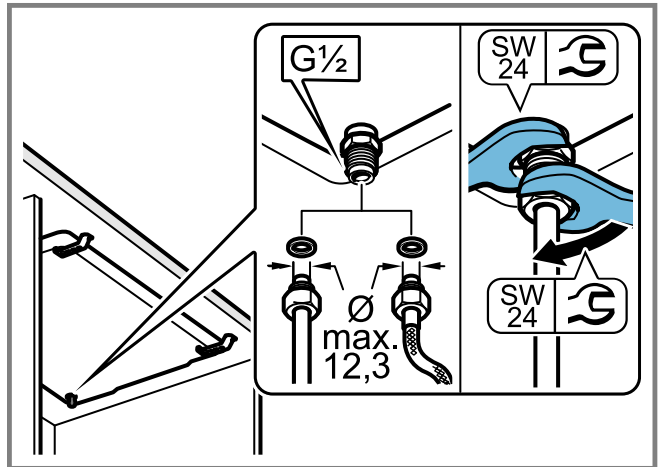
7



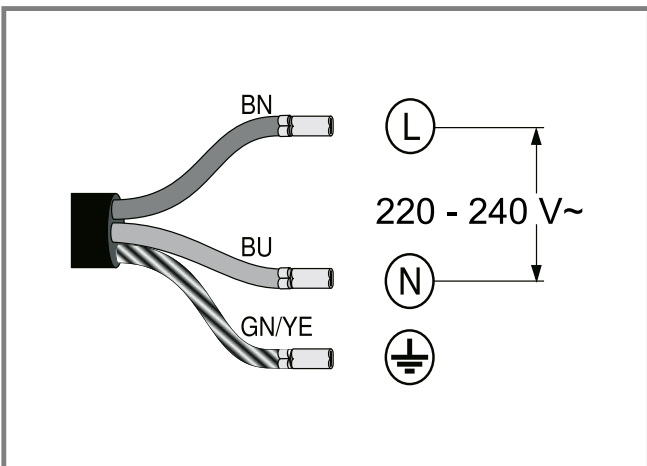
8



9



10



11



## Safe installation

Follow these safety instructions when installing the appliance.

- Read this instruction manual carefully.
- The images shown in these instructions are for guidance only.
- The appliance can only be used safely if it is correctly installed according to the safety instructions. The installer is responsible for ensuring that the appliance works perfectly at its installation location.
- Ensure that the kitchen is sufficiently ventilated, in particular when operating the gas cooking appliance.
- Do not connect the appliance to an exhaust gas system for combustion products.
- Never install the appliance in boats or in vehicles.
- The warranty applies only when using the appliance as intended.
- Before installing the appliance, check that the local conditions of the supplier are compatible with the appliance settings specified on the rating plate (type of gas and pressure, power, voltage).
- Secure the power cord to the cabinet to prevent it from touching hot parts of the oven or hob.
- Before any work is carried out on the appliance, switch off the power supply and the gas supply.
- Connect the appliance to the power supply using the earth.
- Do not make any changes to the inside of the appliance. If required, contact our technical customer service.

### Attention

Gas Safety Ordinance of Hong Kong  
According to the Gas Safety Ordinance of Hong Kong, any gas installation works including the installation of appliances and connection tubing, must be undertaken by registered gas installers who are registered for that appropriate classes and be employed by registered gas contractors, respecting all applicable regulations, standards and the specifications of the local gas and electricity suppliers. Special attention shall be paid to ventilation regulations. Use approved gas tubing bearing EMSD approval marking (such as: 機電工程署批准EMSD APPROVAL GTXXXX) for connection to appliances, or other appropriate methods accepted by EMSD.

### Before installing

- This appliance can be combined with other hobs of the same brand by using the connection accessory. See catalogue.
- The unit in which the appliance is installed must be stable and secured appropriately.

- The units in the vicinity of the appliance, the laminated panels and the adhesive with which they are secured must be made of non-flammable, heat-resistant materials.
  - Do not install this appliance above refrigerators, washing machines, dishwashers or similar.
  - The appliance must only be installed on an oven with forced ventilation. Check the dimensions of the oven in the installation instructions for the oven.
  - If you install an oven underneath the hob, the work surface thickness may differ from the dimensions given in these instructions. Take note of the information in the oven installation instructions.
  - If you install an exhaust air fan or an extractor hood, refer to the installation instructions for these. Always observe the minimum vertical distance to the hob.
- Fig. 1

### Preparing the units

- Make a cut-out in the worktop with the required dimensions.
  - In recesses of 500 mm, the appliance must be installed on the front edge of the recess. → "Positioning the appliance", Page 3
- Fig. 2
- Any panel that is attached closer to the built-in niche than the specified clearance must be made of non-combustible material. Always maintain a distance of at least 5 mm between the panel and the appliance. Maximum clearances for the panel: 30 mm thickness x 70 mm height.
  - Seal the cut surfaces of wooden work surfaces with a special glue seal to protect them from moisture.

### Preparing the built-in unit for standard installation (a)

- Use worktops that are between 20 mm and 50 mm thick.

**Note:** Worktops that are between 12 mm and 20 mm thick must be used with a spacer, which is available from technical customer service.

### Installation on a drawer or cupboard

#### **WARNING – Risk of burns!**

The accessible parts may become hot during operation.

If there is no built-in oven underneath the hob and the underside of the hob is accessible, follow these instructions:

For gas hobs with wok burner, insert a non-flammable intermediate floor (e.g. metal or ply-Wood) at a distance of 10 mm from the hob .

→ Fig. 3

For gas hobs without a wok burner, it is advisable to fit an intermediate floor underneath the hob .

→ Fig. 4

In both cases, the distance from the intermediate floor to the mains connection for the appliance must be at least 10 mm.

The thickness of the separator must allow for respecting the distances in the figure.

### Installation above an oven

#### Positioning the appliance

1. Position the hob with the upper side facing down on a flat, stable surface.
2. Loosen the screws on the brackets so they can turn freely. You do not need to fully undo the screws on the brackets.

→ Fig. 5

3. Turn the hob around and insert it into the recess. Insert the hob in the front of the recess.  
→ Fig. 6
4. Turn the brackets and tighten them fully.  
→ Fig. 7  
The position of the brackets depends on the worktop thickness.  
**Note:** Do not use silicone to bond the appliance to the worktop.

## Removing the appliance

1. Disconnect the appliance from the electricity and gas connections.
2. Unscrew the brackets and proceed in reverse order.

## Connecting the gas

Observe the country-specific guidelines.

### **⚠ CAUTION – Risk of explosion!**

A gas leakage may cause an explosion.

- ▶ If any connection is handled, check the seal.
- Arrange the gas connection so that the shut-off valve is accessible.
- Ensure that the information on the rating plate regarding the gas type and gas pressure complies with the local connection conditions.
- Connect the appliance to a fixed gas pipe or a flexible metal pipe.
- The flexible metal pipe must not come into contact with the moving parts of the unit in which the appliance is installed (e.g. a drawer) and must not be routed through any spaces which might become obstructed.
- Gas connection on the appliance: G 1/2.

### Connection to gas cylinder or liquid gas tank

- ▶ If the flame is large or unstable, check that the regulator of the gas cylinder or liquid gas tank is working properly.

**Note:** You can install an overpressure safety device that limits or cuts off the gas supply if the regulator of the gas cylinder or liquid gas tank fails.

### Spare parts for gas connection

If the country's regulations allow, you can obtain the gas connection parts from the technical customer service.

→ Fig. 8

### Gas connection R 1/2

- ▶ Fit the seal and the connecting piece R 1/2 to the gas connection on the appliance.

→ Fig. 9

### Gas connection G 1/2

- ▶ Insert the seal between the gas connection of the appliance and the gas supply.

→ Fig. 10

## Electrical connection

- This appliance is type Y: The connection cable must only be replaced by technical customer service and not by the user. The cable type and the minimum cross section must be respected.
- The hobs are supplied with a power cord with or without a plug.
- The power cable must only be replaced with a cable from the original manufacturer. This is available from after-sales service.
- Do not use extension cables or multiple socket strips.

- Only connect appliances that are fitted with a plug to a correctly installed socket with protective earth conductor.
- Connect the appliance to a fixed installation and set up appropriate isolating switches in accordance with the installation regulations.

→ Fig. 11

- BN: Brown
- BU: Blue
- GN/YE: Green and yellow