



BOSCH



Register your
new appliance
now at MyBosch and
enjoy benefits free of
charge:
[bosch-home.com/
welcome](https://bosch-home.com/welcome)

Fridge-freezer combination

KDN76..

[en] Information for Use



**You can find additional information and explanations online.
Scan the QR code on the title page.**



Table of contents

1 Safety	3	6.9 Accessories	15
1.1 General information	3	7 Basic operation	16
1.2 Intended use	3	7.1 Switching on the appliance	16
1.3 Restriction on user group	3	7.2 Operating tips	16
1.4 Safe transport	4	7.3 Switching off the appliance	16
1.5 Safe installation	4	7.4 Setting the temperature	16
1.6 Safe use	5	7.5 Keylock	17
1.7 Damaged appliance	7	8 Additional functions	17
2 Preventing material damage	8	8.1 Super cooling	17
3 Environmental protection and saving energy	8	8.2 Super freezing	17
3.1 Disposing of packaging	8	8.3 Holiday mode	18
3.2 Saving energy	8	8.4 Energy-saving mode	18
4 Installation and connection	9	8.5 Freshness mode	18
4.1 Scope of delivery	9	9 Alarm	18
4.2 Criteria for the installation location	9	9.1 Door alarm	18
4.3 Installing the appliance	9	9.2 Temperature alarm	18
4.4 Preparing the appliance for the first time	10	10 Refrigerator compartment	19
4.5 Connecting the appliance to the electricity supply	10	10.1 Tips for storing food in the refrigerator compartment	19
5 Familiarising yourself with your appliance	11	10.2 Chill zones in the refrigerator compartment	19
5.1 Appliance	11	11 Freezer compartment	20
5.2 Control panel	12	11.1 Fully utilising the freezer compartment volume	20
6 Features	13	11.2 Tips for storing food in the freezer compartment	20
6.1 Shelf	13	11.3 Tips for freezing fresh food ...	20
6.2 Snack container	13	11.4 Shelf life of frozen food at -18 °C	20
6.3 Storage container	13	11.5 Defrosting methods for frozen food	21
6.4 Fruit and vegetable container with humidity control	13	12 Defrosting	21
6.5 Container divider	14	12.1 Defrosting in the refrigerator compartment	21
6.6 Butter and cheese compartment	14	12.2 Defrosting in the freezer compartment	21
6.7 Door tray	14		
6.8 Ice cube maker	14		

13 Cleaning and servicing	21	14.2 Conducting an appliance self-test	29
13.1 Preparing the appliance for cleaning	21	15 Storage and disposal	30
13.2 Cleaning the appliance	21	15.1 Taking the appliance out of operation	30
13.3 Removing the fittings	22	15.2 Disposing of old appliance ...	30
13.4 Removing appliance com- ponents	24	16 Customer Service	31
14 Troubleshooting	25	16.1 Product number (E-Nr.) and production number (FD)	31
14.1 Power failure	29	17 Technical data	31



1 Safety

Observe the following safety instructions.

1.1 General information

- Read this instruction manual carefully.
- Keep the instruction manual and the product information safe for future reference or for the next owner.
- Do not connect the appliance if it has been damaged in transit.

1.2 Intended use

Only use this appliance:

- for chilling and freezing food and for making ice cubes.
- in private households and in enclosed spaces in a domestic environment.
- Up to an altitude of 2000 m above sea level.

1.3 Restriction on user group

This appliance may be used by children aged 8 or over and by people who have reduced physical, sensory or mental abilities or inadequate experience and/or knowledge, provided that they are supervised or have been instructed on how to use the appliance safely and have understood the resulting dangers.

Do not let children play with the appliance.

Cleaning and user maintenance must not be performed by children unless they are being supervised.

1.4 Safe transport

⚠ WARNING – Risk of injury!

The heavy weight of the appliance may result in injury when lifted.

- ▶ Do not lift the appliance on your own.

1.5 Safe installation

⚠ WARNING – Risk of electric shock!

Incorrect installation is dangerous.

- ▶ Connect and operate the appliance only in accordance with the specifications on the rating plate.
- ▶ Connect the appliance to a power supply with alternating current only via a properly installed socket with earthing.
- ▶ The protective conductor system of the domestic electrical installation must be properly installed.
- ▶ Never equip the appliance with an external switching device, e.g. a timer or remote control.
- ▶ When the appliance is installed, the mains plug of the power cord must be freely accessible. If free access is not possible, an isolating switch must be integrated into the permanent electrical installation according to the installation regulations.
- ▶ When installing the appliance, check that the power cable is not trapped or damaged.

If the insulation of the power cord is damaged, this is dangerous.

- ▶ Never let the power cord come into contact with heat sources.

⚠ WARNING – Risk of explosion!

If the appliance's ventilation openings are closed off, a leak in the refrigeration circuit may result in a flammable mixture of gas and air.

- ▶ Keep ventilation openings in the appliance casing or in the integrated casing clear of obstruction.

⚠ WARNING – Risk of fire!

It is dangerous to use an extended power cord and non-approved adapters.

- ▶ Do not use extension cables or multiple socket strips.
- ▶ Only use adapters and power cords approved by the manufacturer.

- ▶ If the power cord is too short and a longer one is not available, please contact an electrician to have the domestic installation adapted.

Portable multiple socket strips or portable power supply units may overheat and cause a fire.

- ▶ Do not place portable multiple socket strips or power supply units on the back of the appliance.

1.6 Safe use

⚠ WARNING – Risk of electric shock!

An ingress of moisture can cause an electric shock.

- ▶ Only use the appliance in enclosed spaces.
- ▶ Never expose the appliance to intense heat or humidity.
- ▶ Do not use steam- or high-pressure cleaners to clean the appliance.

⚠ WARNING – Risk of suffocation!

Children may put packaging material over their heads or wrap themselves up in it and suffocate.

- ▶ Keep packaging material away from children.
- ▶ Do not let children play with packaging material.

Children may breathe in or swallow small parts, causing them to suffocate.

- ▶ Keep small parts away from children.
- ▶ Do not let children play with small parts.

⚠ WARNING – Risk of explosion!

If the cooling circuit is damaged, flammable refrigerant may escape and explode.

- ▶ To accelerate the defrosting process, do not use any other mechanical devices or means other than those recommended by the manufacturer.
- ▶ If food is stuck to the freezer compartment, loosen it with a blunt object such as the handle of a wooden spoon.

Products which contain flammable propellants and explosive substances may explode, e.g. spray cans.

- ▶ Do not store products which contain flammable propellants (e.g. spray cans) or explosive substances in the appliance.

⚠ WARNING – Risk of fire!

Electrical devices within the appliance may cause a fire, e.g. heaters or electric ice makers.

- ▶ Do not operate electrical devices within the appliance.

⚠ WARNING – Risk of injury!

Containers that contain carbonated drinks may burst.

- ▶ Do not store containers that contain carbonated drinks in the freezer compartment.

Injury to the eyes caused by escaping flammable refrigerant and hazardous gases.

- ▶ Do not damage the tubes of the refrigerant circuit or the insulation.

The appliance may tip.

- ▶ Do not stand or support yourself on the base, runners or doors.

⚠ WARNING – Risk of burns!

Individual parts on the back of the appliance become hot during operation.

- ▶ Never touch these hot parts.

⚠ WARNING – Risk of cold burns!

Contact with frozen food and cold surfaces may cause burns by refrigeration.

- ▶ Never put frozen food straight from the freezer compartment into your mouth.
- ▶ Avoid prolonged contact of the skin with frozen food, ice and surfaces in the freezer compartment.

⚠ CAUTION – Risk of harm to health!

To prevent food from being contaminated, you must observe the following instructions.

- ▶ If the door is open for an extended period of time, this may lead to a considerable temperature increase in the compartments of the appliance.
- ▶ Regularly clean the surfaces that may come into contact with food and accessible drain systems.
- ▶ Store raw meat and fish in suitable containers in the refrigerating appliance so that they do not touch or drip on other food.

- ▶ If the fridge/freezer is empty for an extended period of time, switch off the appliance, defrost it, clean it and leave the door open to prevent the formation of mould.

Metal or metal-style parts in the appliance may contain aluminium. If acidic food comes into contact with aluminium in the appliance, aluminium foil ions may pass into the food.

- ▶ Do not consume soiled food.

1.7 Damaged appliance

⚠ **WARNING – Risk of electric shock!**

If the appliance or the power cord is damaged, this is dangerous.

- ▶ Never operate a damaged appliance.
- ▶ Never pull on the power cord to unplug the appliance. Always unplug the appliance at the mains.
- ▶ If the appliance or the power cord is damaged, immediately unplug the power cord or switch off the fuse in the fuse box.
- ▶ Call customer service. → *Page 31*

Improper repairs are dangerous.

- ▶ Repairs to the appliance should only be carried out by trained specialist staff.
- ▶ Only use genuine spare parts when repairing the appliance.
- ▶ If the power cord of this appliance is damaged, it must be replaced by the manufacturer, the manufacturer's Customer Service or a similarly qualified person in order to prevent any risk.

⚠ **WARNING – Risk of fire!**



If the tubes are damaged, flammable refrigerant and harmful gases may escape and ignite.

- ▶ Keep naked flames and ignition sources away from the appliance.
- ▶ Ventilate the room.
- ▶ Switch off the appliance. → *Page 16*
- ▶ Unplug the mains plug from the mains or switch off the circuit breaker in the fuse box.
- ▶ Call customer service. → *Page 31*

2 Preventing material damage

ATTENTION

If not rolling freely, the appliance's castors may damage the floor when the appliance is moved.

- ▶ Transport the appliance using a sack truck.
- ▶ Use floor protection when moving the appliance, and do not move it in a zigzag fashion.

Using the appliance, base, runners or doors as a seat or climbing surface may damage the appliance.

- ▶ Do not stand or lean on the appliance, base, runners or doors.

Contamination with oil or fat may cause plastic parts and door seals to become porous.

- ▶ Keep plastic parts and door seals free of oil and grease.

Metal or metal-style parts in the appliance may contain aluminium. When aluminium comes into contact with acidic foods, it corrodes and discolours.

- ▶ Only store packaged food in the appliance.

If you clean fittings and accessories in the dishwasher, this may cause them to become deformed or discoloured.

- ▶ Never clean fittings and accessory in the dishwasher.

3 Environmental protection and saving energy

3.1 Disposing of packaging

The packaging materials are environmentally compatible and can be recycled.

- ▶ Sort the individual components by type and dispose of them separately.

3.2 Saving energy

If you follow these instructions, your appliance will use less power.

Selecting the installation location

- Keep the appliance out of direct sunlight.
- Install the appliance as far away as possible from heating elements, cookers and other heat sources:
 - Maintain a 30 mm clearance to electric or gas cookers.
 - Maintain a 300 mm clearance to oil or solid-fuel cookers.
- Make sure there is a distance of 50 mm between the side wall and the appliance.
- Never cover or block the external ventilation openings.

Saving energy during use

Note: The arrangement of the fittings does not affect the energy consumption of the appliance.

- Open the appliance only briefly and then close it carefully.
- Never cover or block the interior ventilation openings or the exterior ventilation openings.
- Transport purchased food in a cool bag and place in the appliance quickly.
- Allow warm food and drinks to cool down before storing them.
- Thaw frozen food in the refrigerator compartment to utilise the low temperature of the food.
- Always leave some space between the food and to the back panel.

Control panel energy-saving mode

If the appliance is not being used, the control panel automatically switches to control panel energy-saving mode.

In control panel energy-saving mode, the control panel brightness is reduced and the status display lights up white.

4 Installation and connection

4.1 Scope of delivery

After unpacking all parts, check for any transport damage and for completeness of delivery.

If you have any complaints, contact your dealer or our after-sales service → *Page 31*.

The delivery consists of the following:

- Free-standing appliance
- Equipment and accessories¹
- Installation material
- Installation instructions
- User manual
- Customer service directory
- Warranty enclosure²
- Energy label
- Information on energy consumption and noises

4.2 Criteria for the installation location

WARNING –

Risk of explosion!

If the appliance is in a space that is too small, a leak in the refrigeration

circuit may result in a flammable mixture of gas and air.

- ▶ Only install the appliance in a space with a volume of at least 1 m³ per 8 g refrigerant. The volume of refrigerant is indicated on the rating plate.

→ "Appliance", Fig. **1** **3**

Page 11

The weight of the appliance ex works may be up to 95 kg depending on the model.

The subfloor must be sufficiently stable to bear the weight of the appliance.

The surface must be level.

This refrigerator is intended for use at ambient temperatures of 10 °C to 43 °C.

The appliance is fully functional within the permitted room temperature.

If the appliance is operated at colder room temperatures, the appliance will not be damaged up to a room temperature of 5 °C.

Over-and-under and side-by-side installation

If you want to install 2 refrigerating appliances one over the other or side by side, you must maintain a clearance of at least 150 mm between the appliances. Selected appliances can be installed without a minimum clearance. Ask your dealer or kitchen planner about this.

4.3 Installing the appliance

- ▶ Install the appliance in accordance with the enclosed installation instructions.

¹ Depending on the appliance specifications

² Not in all countries

4.4 Preparing the appliance for the first time

1. Remove the informative material.
2. Remove the protective foil and transit bolts, e.g. remove the adhesive strips and carton.
3. Clean the appliance for the first time. → *Page 21*

4.5 Connecting the appliance to the electricity supply

1. Insert the mains plug of the appliance's power cable in a socket nearby.

The connection data of the appliance can be found on the rating plate.

→ "*Appliance*", Fig. **1** / **3**

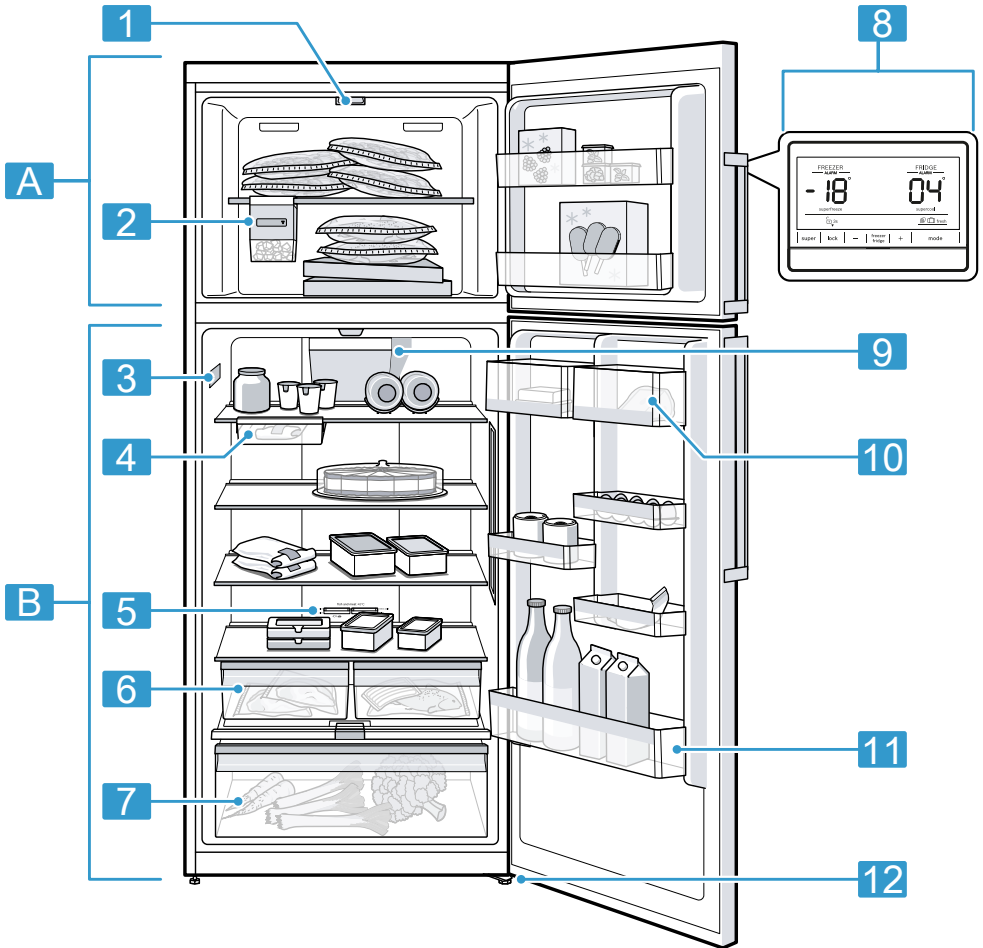
Page 11

2. Check the mains plug is inserted properly.
 - ✓ The appliance is now ready for use.

5 Familiarising yourself with your appliance

5.1 Appliance

You can find an overview of the parts of your appliance here.



1 Deviations between your appliance and the diagrams may differ with regard to their features and size.

A Freezer compartment
→ Page 20

B Refrigerator compartment
→ Page 19

1 Lighting

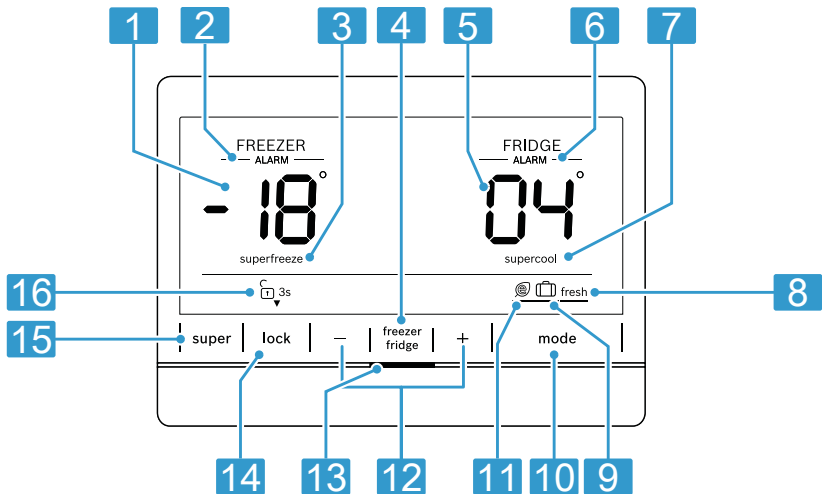
2 Ice cube maker → Page 14

3 Rating plate → Page 31

- | | |
|---|---|
| 4 Snack container → <i>Page 13</i> ¹ | 8 Control panel → <i>Page 12</i> |
| 5 Temperature controller (storage container) → <i>Page 16</i> | 9 Inner ventilation openings (refrigerator compartment) |
| 6 Storage container → <i>Page 13</i> | 10 Butter and cheese compartment → <i>Page 14</i> ¹ |
| 7 Fruit and vegetable container with humidity control → <i>Page 13</i> | 11 Door tray for large bottles → <i>Page 14</i> |
| | 12 Screw foot |



5.2 Control panel


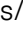
You can use the control panel to configure all functions of your appliance and to obtain information about the operating status.



- 2**
- | | |
|---|---|
| 1 Displays the set temperature for the freezer compartment in °C. | 5 Displays the set temperature for the refrigerator compartment in °C. |
| 2 ALARM lights up when the temperature alarm is switched on. | 6 ALARM lights up when the door alarm is switched on. |
| 3 superfreeze lights up when Super freezing is switched on. | 7 supercool lights up when Super cooling is switched on. |
| 4 freezer fridge is used to select a compartment in order to change the temperature or switch on certain additional functions. | 8 fresh lights up when the freshness mode is switched on. |

¹ Depending on the appliance specifications

- 9**  lights up when holiday mode is switched on.
- 10** mode is used to select a mode.
- 11**  lights up when the energy-saving mode is switched on.
- 12** +/- sets the temperature of the selected compartment.

- 13** The status indicator shows the operating status of the appliance.
- 14** super switches the button lock for the control panel on or off.
- 15** super switches supercool and superfreeze on or off in the selected compartment.
- 16**  3s/ 3s lights up if the button lock is switched on or off.

6 Features

The features of your appliance depend on the model.

6.1 Shelf

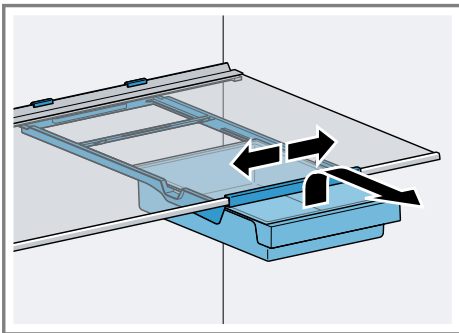
To vary the shelf as required, you can remove the shelf and re-insert it elsewhere.

→ "Removing the shelf", Page 22

6.2 Snack container

Store packaged food or small snacks in the snack container.

You can remove the snack container. To do this, pull out and remove the snack container. You can move the holder for the snack container.



6.3 Storage container

The temperatures in the storage container are lower than in the refriger-

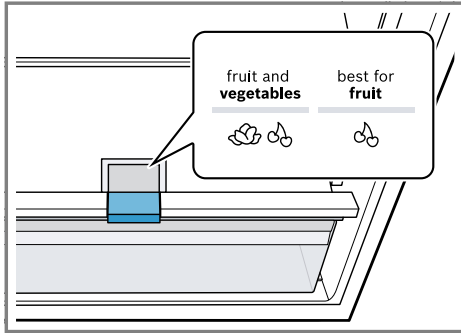
ator compartment. Temperatures below 0 °C may occur occasionally. In order to reach temperatures close to 0 °C in the storage container, set the refrigerator compartment temperature to 2 °C. → Page 16

Use the lower temperatures in the storage container to store highly perishable food, e.g. fish, meat and sausages.

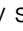

6.4 Fruit and vegetable container with humidity control

Store fresh fruit and vegetables loose in the fruit and vegetable container. Cover any chopped fruit and vegetables, or store in air-tight packaging. You can adjust the humidity in the fruit and vegetable container using the humidity controller and a special seal. This allows fresh fruit and veget-

ables to be stored for up to twice as long as with conventional storage.



The air humidity in the fruit and vegetable container can be set according to the type and amount of food to be stored by pressing the humidity controller:

- Push in and engage for low humidity  when primarily storing fruit or mixed items, or if the appliance is very full.
- Release for high humidity  when primarily storing vegetables or when the appliance is not very full.

Condensation may form in the fruit and vegetable container depending on the food and quantity stored. Remove the condensation with a dry cloth and adjust the air humidity to a lower setting using the humidity controller.

To ensure that the quality and aroma are retained, store fruit and vegetables that are sensitive to cold outside of the appliance at temperatures of approx. 8 °C to 12 °C, e.g. pineapple, bananas, citrus fruits, cucumbers, courgettes, peppers, tomatoes and potatoes.

6.5 Container divider

To vary the division of the fruit and vegetable container, you can remove

the container divider or move it to a different location.

→ "Removing the container divider", Page 23

6.6 Butter and cheese compartment

Store butter and hard cheese in the butter and cheese compartment.

6.7 Door tray

To adjust the door tray as required, you can remove the door tray and re-insert elsewhere.

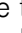
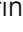
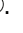
→ "Removing door tray", Page 22

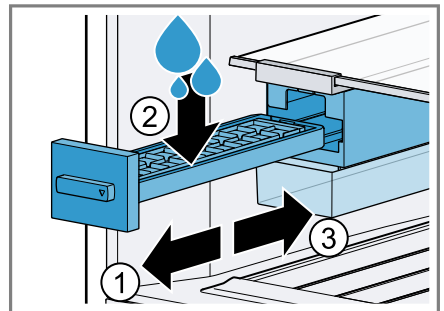
6.8 Ice cube maker

Use the ice cube maker to make ice cubes out of drinking water.

Making ice cubes

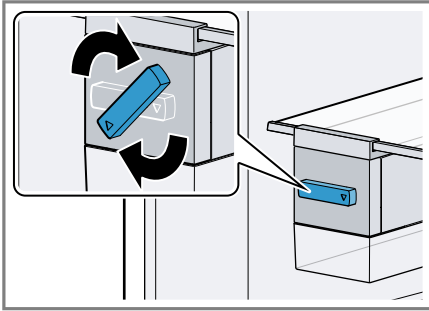
Use only drinking water to make ice cubes.

1. Remove the ice cube tray , fill $\frac{3}{4}$ full with drinking water  and re-insert .

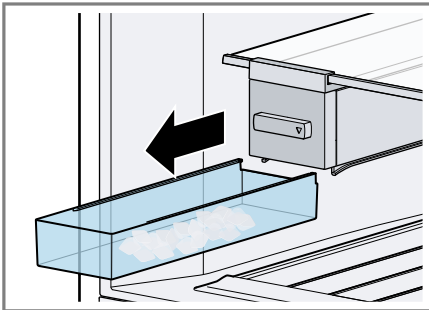


Note: If it is filled with too much drinking water, this may impair the function of the ice cube maker. The ice cubes cannot be removed individually from the ice cube tray. Too much drinking water was added and is running into the ice cube container, causing any ice cubes to freeze together.

- When the ice cubes are frozen, rotate the knob on the ice cube tray several times in a clockwise direction and release it.



- ✓ The ice cubes will loosen and fall into the ice cube container.
- Pull out the ice storage container and remove the ice cubes.



6.9 Accessories

Use original accessories. These have been made especially for your appliance.

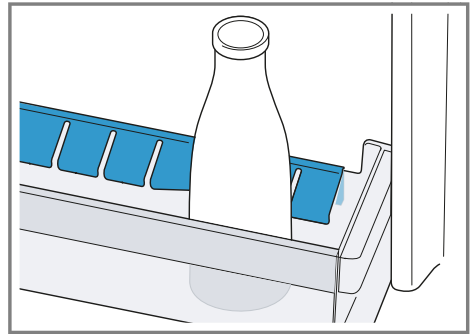
The accessories for your appliance depend on the model.

Egg tray

Store eggs safely on the egg tray.

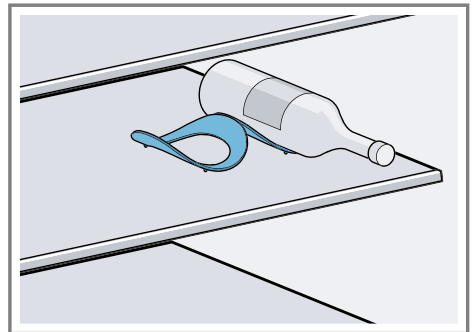
Bottle holder

The bottle holder prevents bottles from falling over when the appliance door is opened and closed.



Variable bottle shelf

Store bottles securely on the variable bottle shelf.



Ice cube tray

Use the ice cube tray to make ice cubes.

Making ice cubes

Use only drinking water to make ice cubes.

- Fill the ice cube tray with drinking water up to $\frac{3}{4}$ and place in the freezer compartment.
If the ice cube tray is stuck to the freezer compartment, loosen it with a blunt object such as the handle of a wooden spoon.

2. To loosen the ice cubes, twist the ice cube tray slightly or hold it briefly under flowing water.

7 Basic operation

7.1 Switching on the appliance

1. Electrically connect the appliance.
→ *Page 10*
Note: If the appliance has been previously switched off using the control panel, press and hold + for ten seconds.
 - ✓ The appliance is now ready for use.
 - ✓ The appliance begins to cool.
 - ✓ A warning tone sounds, the temperature display (freezer compartment) flashes, "ALARM" lights up and the status display lights up red because the freezer compartment is still too warm.
2. Switch off the warning tone using **freezer fridge**.
 - ✓ "ALARM" goes out as soon as the set temperature has been reached.
3. Set the required temperature.
→ *Page 16*

7.2 Operating tips

- Once you have switched on the appliance, the set temperature is only reached after several hours. Do not put any food in the appliance until the set temperature has been reached.
- The front and side panels of the housing heat up occasionally. This prevents condensation from forming.
- When closing the door, make sure that the door is not blocked by stored items.

- When you close the door, a vacuum may be created. The door is then difficult to open again. Wait a moment until the vacuum is offset.
- The temperature in the appliance varies due to the following conditions:
 - How often the appliance is opened
 - Load capacity
 - Temperature of newly stored food
 - Ambient temperature
 - Direct sunlight

7.3 Switching off the appliance

- ▶ Press and hold + for 10 seconds.

7.4 Setting the temperature

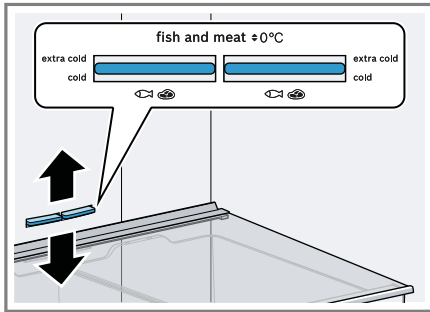
Setting the refrigerator compartment temperature

1. Select the refrigerator compartment using **freezer fridge**.
2. Press +/- repeatedly until the temperature display (refrigerator compartment) shows the required temperature setting.
To reach the set temperature, slide the temperature controller for the storage container to a position that is one third from the bottom.
→ *Page 16*
The recommended temperature in the refrigerator compartment is 4 °C.

Setting the storage container temperature

- ▶ Select one of the options:
 - ▶ To reduce the temperature, move the temperature controller up towards "extra cold".

- ▶ To increase the temperature, move the temperature controller down towards "cold".




Setting the freezer compartment temperature

1. Select the freezer compartment with **freezer fridge**.
2. Press **+/-** repeatedly until the temperature display (freezer compartment) shows the required temperature setting.
The recommended temperature in the freezer compartment is $-18\text{ }^{\circ}\text{C}$.


7.5 Keylock

The keylock prevents the appliance from being operated accidentally or incorrectly while running.

Switching on the keylock

- ▶ Press and hold **super** for three seconds.
- ✓  "3s" lights up.

Switching off the keylock

- ▶ Press and hold **super** for three seconds.
- ✓  "3s" lights up.

8 Additional functions

Find out which additional functions can be used for your appliance.

8.1 Super cooling

With Super cooling, the refrigerator compartment cools as cold as possible.

Switch on Super cooling before placing large quantities of food in the refrigerator compartment.

Note: When Super cooling is switched on, increased noise may occur.

Switching on Super cooling

- ▶ Press **super** repeatedly until "supercool" lights up.

Note: After approx. 6 hours, the appliance switches to normal operation.

Switching off Super cooling

- ▶ Press **super**.
- ✓ The previously set temperature is displayed.

8.2 Super freezing

With Super freezing, the freezer compartment cools as cold as possible. Switch on Super freezing four to six hours before placing food weighing 2 kg or more into the freezer compartment.

Note: When Super freezing is switched on, increased noise may occur.

Switching on Super freezing

- ▶ Press **super** repeatedly until "superfreeze" lights up.

Note: After approx. 54 hours, the appliance switches to normal operation.

Switching off Super freezing

- ▶ Press **super** repeatedly until "superfreeze" goes out.

8.3 Holiday mode

If you are going to be away for a long time, you can switch on energy-saving holiday mode on the appliance.

CAUTION –

Risk of harm to health!

The refrigerator compartment heats up while the holiday mode is switched on. The increased temperature may cause bacteria to increase and spoil the food.


- ▶ When the holiday mode is switched on, do not store any food in the refrigerator compartment.

The appliance automatically sets the temperatures.

Refrigerator com- partment	14 °C
-------------------------------	-------

Freezer compart- ment	Temperature re- mains unchanged
--------------------------	------------------------------------

Switching on holiday mode

- ▶ Press **mode** repeatedly until is  highlighted.

Switching off holiday mode

- ▶ Press **mode** repeatedly until no mode is highlighted.


8.4 Energy-saving mode

You can set the appliance to save energy with the energy-saving mode. The appliance automatically sets the temperatures.

Refrigerator com- partment	8 °C
-------------------------------	------

Freezer compart- ment	-16 °C
--------------------------	--------

Switching on energy-saving mode

- ▶ Press **mode** repeatedly until is  highlighted.

Switching off energy-saving mode

- ▶ Press **mode** repeatedly until no mode is highlighted.

8.5 Freshness mode

In order to keep the food fresh for longer, you can switch on the freshness mode on the appliance. The appliance automatically sets the temperatures.

Refrigerator com- partment	2 °C
-------------------------------	------

Freezer compart- ment	Temperature re- mains unchanged
--------------------------	------------------------------------

Switching freshness mode on

- ▶ Press **mode** repeatedly until is "fresh" highlighted.

Switching off freshness mode

- ▶ Press **mode** repeatedly until no mode is highlighted.

9 Alarm

9.1 Door alarm

If the appliance door is open for a while, the door alarm switches on. A warning tone sounds, the status display lights up red and "ALARM" appears for the affected compartment.

Switching off the door alarm

- ▶ Close the appliance door or press **freezer fridge**.
- ✓ The warning tone is switched off.

9.2 Temperature alarm

If the freezer compartment becomes too warm, the temperature alarm is switched on. A warning tone sounds, the temperature display (freezer compartment)

flashes, "ALARM" appears and the status display lights up red.

CAUTION –

Risk of harm to health!

During the thawing process, bacteria may multiply and spoil the frozen food.

- ▶ Do not refreeze food after it has been defrosted or started to defrost.
- ▶ Refreeze food only after cooking.
- ▶ These items should no longer be stored for the maximum storage period.

The temperature alarm can be switched on in the following cases:

- The appliance is switched on.
Do not store any food until the appliance has reached the set temperature.
- Large quantities of fresh food are being placed inside.
Switch on Super freezing before placing large quantities of food in the appliance.
- The freezer compartment door is open for too long.
Check whether the frozen food has defrosted or thawed.

Switching off the temperature alarm

- ▶ Press **freezer fridge**.
- ✓ The warning tone is switched off.
- ✓ The temperature display (freezer compartment) briefly indicates the warmest temperature reached in the freezer compartment. The temperature display (freezer compartment) then indicates the set temperature again.
- ✓ From this time on, the warmest temperature is measured again and saved.

10 Refrigerator compartment

You can keep meat, sausage, fish, dairy products, eggs, prepared meals and pastries in the refrigerator compartment.

The temperature can be set from 2 °C to 8 °C.

The refrigerator compartment can also be used to store highly perishable foods in the short to medium term. The lower the selected temperature, the longer the food remains fresh.

10.1 Tips for storing food in the refrigerator compartment

- Only store food when fresh and undamaged.
- Store food covered or in air-tight packaging.
- To avoid impeding the circulation of air and to prevent food from freezing, do not place food in front of the inner ventilation openings or in direct contact with the back wall.
- Allow hot food and drinks to cool down first before placing in the appliance.
- Observe the best-before date or use-by date specified by the manufacturer.

10.2 Chill zones in the refrigerator compartment

The air circulation in the refrigerator compartment creates different chill zones.

Coldest zone

The coldest zone is between the arrow stamped on the side and the shelf underneath.

en Freezer compartment

Tip: Store highly perishable food such as fish, sausages and meat in the coldest zone.

Warmest zone

The warmest zone is at the very top of the door.

Tip: Store food that does not spoil easily in the warmest zone, e.g. hard cheese and butter. Cheese can then continue to release its aroma and the butter will still be easy to spread.

11 Freezer compartment

You can store frozen food, freeze food and make ice cubes in the freezer compartment.

The temperature can be set from $-16\text{ }^{\circ}\text{C}$ to $-24\text{ }^{\circ}\text{C}$.

Long-term storage of food should be at $-18\text{ }^{\circ}\text{C}$ or lower.

The freezer compartment can be used to store perishable food long-term. The low temperatures slow down or stop the spoilage.

11.1 Fully utilising the freezer compartment volume

Learn how to store the maximum amount of frozen food in the freezer compartment.

1. Remove all fittings from the freezer compartment. → *Page 22*
2. Stack food directly on the floor of the freezer compartment.

11.2 Tips for storing food in the freezer compartment

- Store food in air-tight packaging.
- Do not bring food which is to be frozen into contact with frozen food.
- Spread out the food over a wide area in the freezer compartment.

11.3 Tips for freezing fresh food

- Freeze fresh and undamaged food only.
- Freeze food in portions.
- Cooked food is more suitable than food that can be eaten raw.
- Vegetables: Wash, chop up and blanch before freezing.
- Fruit: Wash, pit and perhaps peel, possibly add sugar or ascorbic acid solution.
- Food that is suitable for freezing includes baked items, fish and seafood, meat, game, poultry, eggs without shells, cheese, butter and quark, ready meals and leftovers.
- Food that is unsuitable for freezing includes lettuce, radishes, eggs in shells, grapes, raw apples and pears, yoghurt, sour cream, crème fraîche and mayonnaise.

Packing frozen food

If you select suitable packaging material and the correct type of packaging, you can determine the product quality and prevent freezer burn.

1. Place the food in the packaging.
2. Squeeze out the air.
3. Pack food airtight to prevent it from losing flavour and drying out.
4. Label the packaging with the contents and the date of freezing.

11.4 Shelf life of frozen food at $-18\text{ }^{\circ}\text{C}$

Food	Storage time
Fish, sausages, prepared meals and baked goods	up to 6 months
Poultry, meat	up to 8 months

Food	Storage time
Vegetables, fruit	up to 12 months

The imprinted freezer calendar indicates the maximum storage duration in months at a constant temperature of $-18\text{ }^{\circ}\text{C}$.

11.5 Defrosting methods for frozen food

CAUTION – Risk of harm to health!

During the thawing process, bacteria may multiply and spoil the frozen food.

- ▶ Do not refreeze food after it has been defrosted or started to defrost.
- ▶ Refreeze food only after cooking.
- ▶ These items should no longer be stored for the maximum storage period.
- Defrost animal-based food, such as fish, meat, cheese, quark, in the refrigerator compartment.
- Defrost bread at room temperature.
- Prepare food for immediate consumption in the microwave, in the oven, or on the hob.

12 Defrosting

12.1 Defrosting in the refrigerator compartment

The refrigerator compartment in your appliance defrosts automatically.

12.2 Defrosting in the freezer compartment

The fully automatic NoFrost system ensures that the freezer compartment

remains frost-free. Defrosting is not required.

13 Cleaning and servicing

Customer Service must clean inaccessible points. Cleaning by customer service can give rise to costs.

13.1 Preparing the appliance for cleaning

1. Switch off the appliance.
→ *Page 16*
2. Disconnect the appliance from the power supply.
Unplug the appliance from the mains or switch off the circuit breaker in the fuse box.
3. Take out all of the food and store it in a cool place.
Place ice packs (if available) onto the food.
4. Remove all fittings and accessories from the appliance.
→ *Page 22*
5. Remove the shelf above the fruit and vegetable container.
→ *Page 24*

13.2 Cleaning the appliance

WARNING – Risk of electric shock!

An ingress of moisture can cause an electric shock.

- ▶ Do not use steam- or high-pressure cleaners to clean the appliance.

Liquid in the lighting, controls or inner ventilation openings can be dangerous.

- ▶ The rinsing water must not drip into the lighting, controls or inner ventilation openings.

ATTENTION

Unsuitable cleaning products may damage the surfaces of the appliance.

- ▶ Do not use hard scouring pads or cleaning sponges.
- ▶ Do not use harsh or abrasive detergents.
- ▶ Do not use cleaning products with a high alcohol content.

If you clean fittings and accessories in the dishwasher, this may cause them to become deformed or discoloured.

- ▶ Never clean fittings and accessory in the dishwasher.

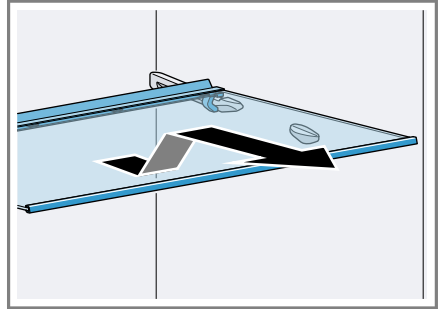
1. Prepare the appliance for cleaning.
→ *Page 21*
2. Clean the appliance, the fittings, the accessories and the door seals with a dish cloth, lukewarm water and a little pH-neutral washing-up liquid.
3. Dry thoroughly with a soft, dry cloth.
4. Insert the fittings and install the removable appliance parts.
5. Electrically connect the appliance.
→ *Page 10*
6. Putting the food into the appliance.

13.3 Removing the fittings

If you want to clean the fittings thoroughly, remove these from your appliance.

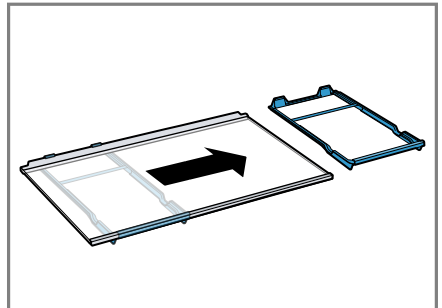
Removing the shelf

- ▶ Pull out, lift and remove the shelf.



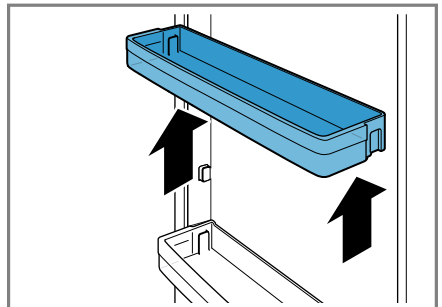
Removing the snack container with holder

1. Remove the snack container.
2. Remove the shelf with the holder.
3. Slide the holder sideways off the shelf.



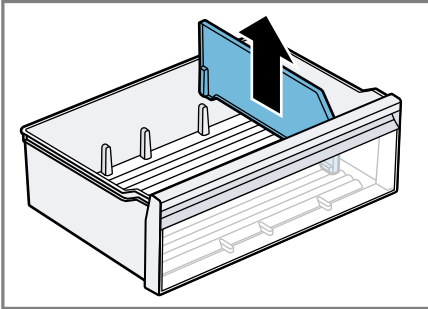
Removing door tray

- ▶ Lift the door tray and remove it.



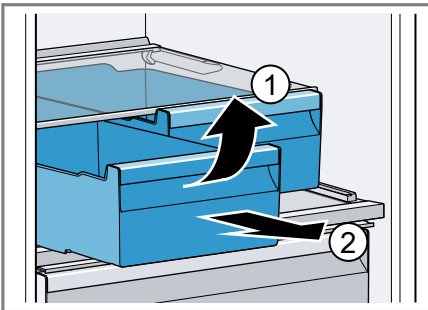
Removing the container divider

- ▶ Lift up and remove the container divider.



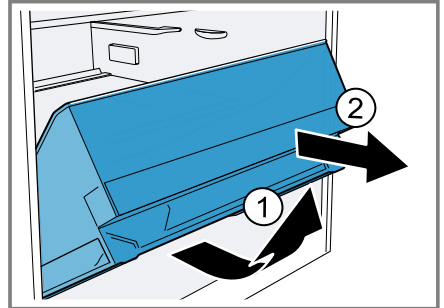
Removing the storage container

1. Pull out the storage container as far as it will go.
2. Lift the storage container at the front ① and remove it ②.



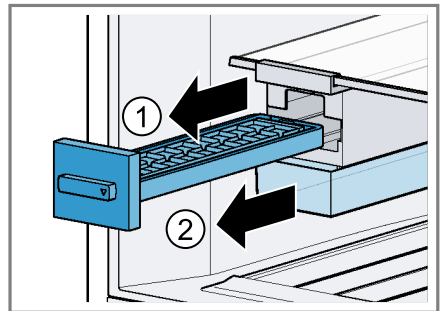
Removing the fruit and vegetable container

1. Pull out the fruit and vegetable container as far as it will go.
2. Lift the fruit and vegetable container at the front ① and remove it ②.



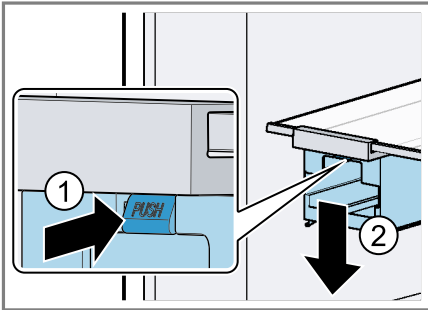
Removing the ice cube maker

1. Remove and empty the ice cube tray ① and the ice storage container ②.

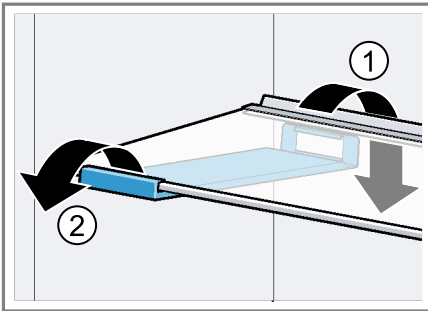


2. Press the push-button ① to release the ice cube maker from the

holder and remove the ice cube maker ②.



3. Lift the rear end of the holder and lower it behind the freezer compartment shelf ①. Remove the holder towards the front ②.



13.4 Removing appliance components

If you want to clean your appliance thoroughly, you can remove certain components from your appliance.

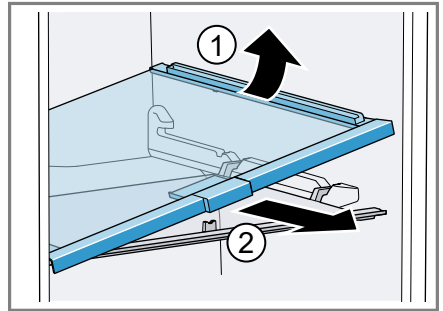
Shelf above the fruit and vegetable container

You can remove the cover of the fruit and vegetable container in order to clean it thoroughly.

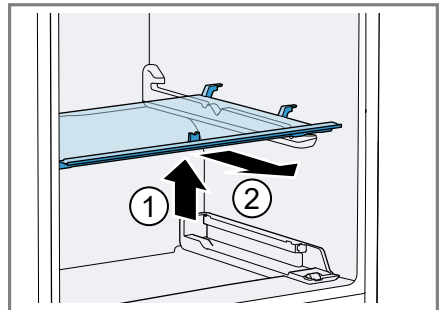
Removing the shelf above the fruit and vegetable container

1. Remove the fruit and vegetable container. → *Page 23*
2. Remove the storage container. → *Page 23*

3. Tilt the shelf above the fruit and vegetable container to the side ① and remove it ②.

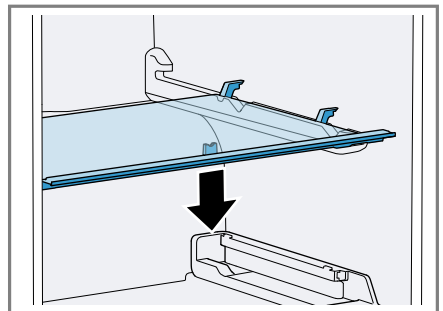


4. Lift the fruit and vegetable container cover ① and remove it ②.

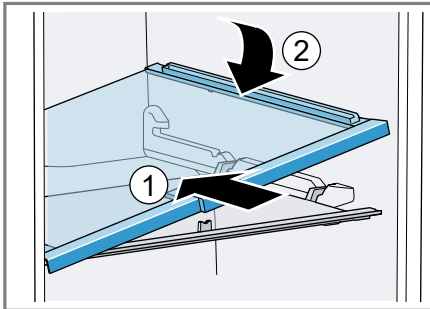


Fitting the shelf above the fruit and vegetable container

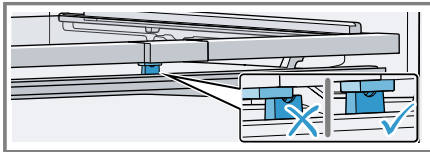
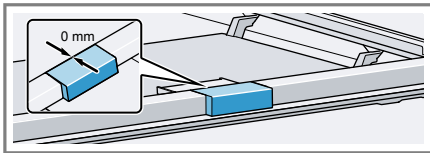
1. Clip the fruit and vegetable container cover in place.



2. Tilt the shelf above the fruit and vegetable container to one side to insert it ① and then lower ②.



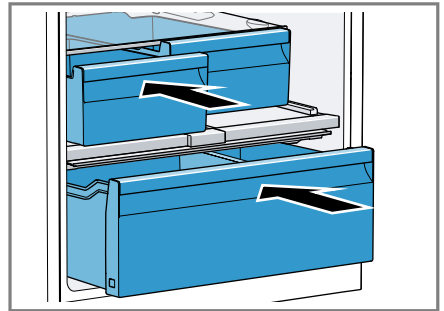
3. Move the humidity controller to the front.



Make sure that the fruit and vegetable container cover sits in the

opening under the humidity controller.

4. Insert the storage containers and the fruit and vegetable containers.



14 Troubleshooting



You can rectify minor faults on your appliance yourself. Read the troubleshooting information before contacting after-sales service. This will avoid unnecessary costs.

⚠ **WARNING –**

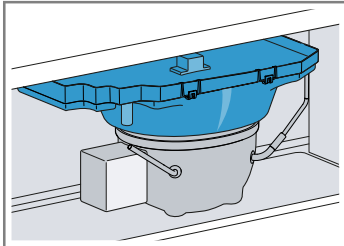
Risk of electric shock!


Improper repairs are dangerous.

- ▶ Repairs to the appliance should only be carried out by trained specialist staff.
- ▶ Only use genuine spare parts when repairing the appliance.
- ▶ If the power cord of this appliance is damaged, it must be replaced by the manufacturer, the manufacturer's Customer Service or a similarly qualified person in order to prevent any risk.

Fault	Cause and troubleshooting
The appliance is not cooling, the displays and lighting are lit.	<p>Showroom mode is switched on.</p> <ol style="list-style-type: none"> 1. Press and hold freezer fridge for at least 15 seconds. 2. After a short time, check whether your appliance is cooling.
The LED lighting does not work.	<p>Different causes are possible.</p> <ul style="list-style-type: none"> ▶ Call customer service. <p>The customer service number can be found in the enclosed customer service directory.</p>
The refrigeration unit is switching on more frequently and for longer.	<p>The appliance has been opened frequently.</p> <ul style="list-style-type: none"> ▶ Do not open appliance door unnecessarily. <hr/> <p>External ventilation openings are covered up.</p> <ul style="list-style-type: none"> ▶ Remove any obstructions from in front of the external ventilation openings. <hr/> <p>Not a fault. Modern refrigeration machines switch on more frequently and have different power levels to cool more efficiently.</p>  <ul style="list-style-type: none"> ▶ Remove any obstructions from in front of the external ventilation openings. ▶ Install the appliance as far away as possible from heating elements, cookers and other heat sources. Avoid prolonged exposure of the appliance to direct sunlight. ▶ Only open the appliance door as briefly as necessary. ▶ Allow hot food and drinks to cool down first before storing in the appliance.
A layer of frost forms on the back wall of the refrigerator compartment.	<p>Not a fault. Modern refrigeration machines ensure a more even temperature in the refrigerator compartment. The back wall of the refrigerator compartment is defrosted automatically at regular intervals.</p>  <ul style="list-style-type: none"> ▶ Only open the appliance door as briefly as necessary. ▶ Pack the food airtight or cover it.

Fault	Cause and troubleshooting
A layer of frost forms on the back wall of the refrigerator compartment.	<ul style="list-style-type: none"> ▶ Allow hot food and drinks to cool down first before storing in the appliance. ▶ Always leave some space between the food and the interior walls.
Side panels of the appliance are warm.	<p>Not a fault. The side panels contain pipes which heat up during the cooling process. Units touching the appliance will not be damaged by the heat.</p> <p>No action required.</p>
"E" or "d" appears on the temperature display.	<p>The electronics have detected a fault.</p> <ol style="list-style-type: none"> 1. Switch off the appliance. → <i>Page 16</i> 2. Disconnect the appliance from the mains. Unplug the appliance from the mains or switch off the circuit breaker in the fuse box. 3. Reconnect the appliance after five minutes. 4. Switch on the appliance. → <i>Page 16</i> 5. If the message still appears on the display, call Customer Service. <p>The customer service number can be found in the enclosed customer service directory.</p>
A warning tone sounds, the temperature display (freezer compartment) flashes, "ALARM" appears and the status display lights up red.	<p>Different causes are possible.</p> <ul style="list-style-type: none"> ▶ Press freezer fridge. <p>The temperature display (freezer compartment) briefly indicates the warmest temperature reached in the freezer compartment. The temperature display (freezer compartment) then indicates the set temperature again.</p> <ul style="list-style-type: none"> ✓ The alarm is switched off. ✓ "ALARM" lights up until the set temperature is reached. <hr/> <p>The appliance door is open.</p> <ul style="list-style-type: none"> ▶ Close the appliance door. <hr/> <p>Larger quantities of fresh food have been put in.</p> <ul style="list-style-type: none"> ▶ Do not exceed the max. freezing capacity.
The set temperature is not reached. Fully automatic defrosting no longer works.	<p>The freezer compartment door was open for a long time. The evaporator (refrigeration unit) in the noFrost system is heavily iced up.</p> <p>Requirement: Store the frozen food well insulated in a cool place.</p> <ol style="list-style-type: none"> 1. Switch off the appliance. → <i>Page 16</i> 2. Disconnect the appliance from the mains. Unplug the appliance from the mains or switch off the circuit breaker in the fuse box. 3. Move the appliance away from the wall.

Fault	Cause and troubleshooting
<p>The set temperature is not reached. Fully automatic defrosting no longer works.</p>	<p>4. Leave the appliance door open. ✓ After approx. 20 minutes, the condensation starts to run into the evaporation pan at the rear of the appliance.</p>  <p>5. To prevent the evaporation pan from overflowing, mop up the condensation water with a sponge. The evaporator is defrosted if no more condensation water runs into the evaporation pan. 6. Clean the interior of the appliance. → <i>Page 21</i> 7. Switch the appliance back on. → <i>Page 16</i></p>
<p>The temperature differs greatly from the setting.</p>	<p>Different causes are possible. 1. Switch off the appliance. → <i>Page 16</i> 2. Switch the appliance back on after five minutes. → <i>Page 16</i></p> <ul style="list-style-type: none"> ▶ If the temperature is too warm, check the temperature again after a couple of hours. ▶ If the temperature is too cold, check the temperature again on the following day.
<p>Condensation accumulates on the surface of the appliance and on the shelves inside.</p>	<p>The water contained in warm and humid air condenses on the colder surfaces of the appliance. 1. Wipe away the condensation water with a soft, dry cloth. 2. Open the appliance as briefly as possible. 3. Ensure that the appliance is always closed properly.</p>
<p>The appliance hums, bubbles, buzzes, gargles, clicks, crackles or hisses.</p>	<p>Not a fault. A motor is running, e.g. refrigerating unit, fan. Refrigerant flows through the pipes. The motor, switches or solenoid valves are switching on or off. Automatic defrosting is running. The NoFrost system defrosts; water droplets evaporate. No action required.</p>

Fault	Cause and troubleshooting
<p>The appliance makes noises.</p> 	<p>The appliance is not level.</p> <ul style="list-style-type: none"> ▶ Align the appliance using a spirit level and the screw feet. <hr/> <p>The appliance is not free-standing.</p> <ul style="list-style-type: none"> ▶ Observe the minimum clearances for the appliance. <hr/> <p>Fittings wobble or stick.</p> <ul style="list-style-type: none"> ▶ Check the removable fittings and, if required, replace these. <hr/> <p>Bottles or containers are touching.</p> <ul style="list-style-type: none"> ▶ Move the bottles or containers away from each other. <hr/> <p>Super freezing is switched on.</p> <p>No action required.</p>

14.1 Power failure

During a power failure, the temperature in the appliance rises; this reduces the storage time and the quality of the frozen food.

Notes

- Open the appliance as little as possible during a power failure and do not place any other food in the appliance.
- Check the quality of the food immediately after a power failure.
 - Dispose of any frozen food that has defrosted and is hotter than 5 °C.
 - Cook or fry slightly thawed frozen food, and then either consume it or freeze it again.

14.2 Conducting an appliance self-test

Your appliance has an appliance self-test which displays faults that can be eliminated by your customer service.

1. Switch off the appliance.
→ *Page 16*

2. Disconnect the appliance from the power supply.
Unplug the appliance from the mains or switch off the circuit breaker in the fuse box.
3. Electrically reconnect the appliance after 5 minutes. → *Page 10*
4. Switch on the appliance.
→ *Page 16*
5. Within the first two minutes after switching on, press and hold **freezer fridge** for 3 seconds until an audible signal sounds.
 - ✓ The appliance self-test starts.
 - ✓ If, at the end of the appliance self-test, 2 audible signals sound and the temperature display indicates the set temperature, the temperature sensors on your appliance are OK. The appliance switches to normal operation.
 - ✓ If, at the end of the appliance self-test, 5 audible signals sound, inform customer service.

15 Storage and disposal

15.1 Taking the appliance out of operation

1. Switch off the appliance.
→ *Page 16*
2. Disconnect the appliance from the power supply.
Unplug the appliance from the mains or switch off the circuit breaker in the fuse box.
3. Remove all of the food.
4. Clean the appliance. → *Page 21*
5. **ATTENTION** – Objects jammed between the door and the housing may damage the door hinge.
 - ▶ Open the door until it remains open by itself.
 - ▶ Do not insert any objects between the door and the housing.

To guarantee the ventilation inside the appliance, leave the appliance open.

15.2 Disposing of old appliance

Valuable raw materials can be reused by recycling.

WARNING – Risk of harm to health!

Children can lock themselves in the appliance, thereby putting their lives at risk.

- ▶ Leave shelves and containers inside the appliance to prevent children from climbing in.
- ▶ Keep children away from the redundant appliance.

WARNING – Risk of fire!

If the tubes are damaged, flammable refrigerant and harmful gases may escape and ignite.

- ▶ Do not damage the tubes of the refrigerant circuit or the insulation.

1. Unplug the appliance from the mains.
2. Cut through the power cord.
3. Dispose of the appliance in an environmentally friendly manner.
Information about current disposal methods are available from your specialist dealer or local authority.



Dispose of packaging in an environmentally-responsible manner. This appliance is certified in accordance with the guidelines on E-waste (Management) Rules 2022 which govern waste electrical and electronic equipment.

The guideline provide a framework for the return and recycling of used appliances.

Note: This product doesn't contain any of hazardous substances as specified in the e-waste Management and Handling Rules 2022.

Dos

- Please visit our website <https://www.bosch-home.in/metapages/e-waste-management> to find out more details regarding e-waste disposal.
- Keep the product in isolated area, after it

becomes non-functional/un-repairable so as to prevent its accidental breakage.

- Consult the authorized service center as to whether the Electronic Equipment can be repaired or not, before discarding.
- Consult the retailer about appliance take back schemes.

Don'ts

- The product should not be opened by the user himself/herself, but only by authorized service personnel.
- The product is not meant for re-sale to any unauthorized agencies/scrap dealers/kabariwalah.
- Don't dispose of the discarded Electronic Equipment in household bins or Municipal bins.
- Don't dump the discarded Electronic Equipment in the open or in any land fill site, as this will result in contamination of the soil and the ground water.
- Do not keep any replaced spare part(s) from the product in exposed area.

tions in your country is available via the QR code on the enclosed document on service contacts and warranty conditions, from our customer service or on our website.

You can find the contact details for our customer service via the QR code on the enclosed document on service contacts and warranty conditions or on our website.

Helpline no.: 1800-266-1880
(Monday to Saturday – 8 am to 8 pm)

Email ID: service.in@bosch-home.com

Chat with us (WhatsApp):
+91-8451000555



16.1 Product number (E-Nr.) and production number (FD)

If you contact Customer Service, you will require the product number (E-Nr.) and the production number (FD), which you can find on the appliance's rating plate.

→ "Appliance", Fig. **1**/**3** Page 11

Make a note of your appliance's details and the Customer Service telephone number to find them again quickly.

17 Technical data

Refrigerant, cubic capacity and further technical specifications can be found on the rating plate.

→ "Appliance", Fig. **1**/**3** Page 11

16 Customer Service

Detailed information about the warranty period and the warranty condi-



Many thanks for choosing a Bosch home appliance!

Register your new appliance now on MyBosch and benefit directly from:

- **Expert advice and tips to make the most of your appliance**
- **Options for warranty extension**
- **Discounts on spare parts and accessories**
- **Digital information for use and all appliance data to hand**
- **Easy access to Bosch Home Appliance Service**

Simple to register, free of charge – including on mobile devices:
www.bosch-home.com/welcome



Need some help? You can find it here.

Expert advice on your Bosch home appliances, help with problems or repairs by professionals from Bosch.

Discover all the different ways Bosch can assist you:

www.bosch-home.com/service

The contact details of all countries are listed in the attached service directory.

BSH Hausgeräte GmbH

Carl-Wery-Straße 34
81739 München, GERMANY
www.bosch-home.com

A Bosch Company



8001329114 (051003)

en