

# Gas Cooktop

## Installation Manual

NGM5056UC, NGM5656UC, NGM8056UC, NGM8656UC,  
NGMP056UC, NGMP656UC, NGM8046UC, NGM8646UC



**BOSCH**

Invented for life



# Table of Contents

<b>▲ Safety Definitions</b> .....	<b>3</b>	General Information .....	7
<b>IMPORTANT SAFETY INSTRUCTIONS</b> .....	<b>4</b>	Preparation .....	7
Gas Appliance Safety .....	4	<b>Installation Procedure</b> .....	<b>9</b>
.....	5	Prepare the Countertop .....	9
Propane Gas Installation .....	5	Seal the Cooktop with Foam Tape .....	9
Equipment and Usage Safety Requirements .....	5	Install the Cooktop .....	10
Appliance Handling Safety .....	5	Connect Gas Supply .....	10
Safety Codes and Standards .....	6	Connect Electrical Supply .....	11
State of California Proposition 65 Warning: .....	6	Burner Cap and Burner Base Placement .....	11
Electric Safety .....	6	Install Burner Grates .....	15
High Altitude Installation .....	6	Check the Installation .....	16
<b>Before You Begin</b> .....	<b>7</b>	<b>Service</b> .....	<b>17</b>
Tools and Parts Needed .....	7	Before Calling Service .....	17
Parts Included .....	7		

This Bosch Appliance is made by  
BSH Home Appliances Corporation  
1901 Main Street, Suite 600  
Irvine, CA 92614

Questions?

1-800-944-2904

[www.bosch-home.com/us](http://www.bosch-home.com/us)

We look forward to hearing from you!

---

## Safety Definitions

---

### WARNING

---

This indicates that death or serious injuries may occur as a result of non-observance of this warning.

---

---

### CAUTION

---

This indicates that minor or moderate injuries may occur as a result of non-observance of this warning.

---


**NOTICE:** This indicates that damage to the appliance or property may occur as a result of non-compliance with this advisory.

**Note:** This alerts you to important information and/or tips.

# **IMPORTANT SAFETY INSTRUCTIONS**

READ AND SAVE THESE INSTRUCTIONS

## Gas Appliance Safety

 **WARNING:** If the information in these instructions is not followed exactly, a fire or explosion may result causing property damage, personal injury or death.

- Do not store or use gasoline or other flammable vapors and liquids in the vicinity of this or any other appliance.
- **WHAT TO DO IF YOU SMELL GAS**
  - Do not try to light any appliance.
  - Do not touch any electrical switch.
  - Do not use any phone in your building.
  - Immediately call your gas supplier from a neighbor's phone. Follow the gas supplier's instructions.
  - If you cannot reach your gas supplier, call the fire department.
- Installation and service must be performed by a qualified installer, service agency or the gas supplier.

 **WARNING:**

**Never Operate the Top Surface Cooking Section of this Appliance Unattended.**

- Failure to follow this warning statement could result in fire, explosion, or burn hazard that could cause property damage, personal injury, or death.
- If a fire should occur, keep away from the appliance and immediately call your fire department.

**DO NOT ATTEMPT TO EXTINGUISH  
AN OIL/GREASE FIRE WITH WATER.**

# **IMPORTANT SAFETY INSTRUCTIONS**

## READ AND SAVE THESE INSTRUCTIONS

**IMPORTANT:** SAVE THESE INSTRUCTIONS FOR THE LOCAL ELECTRICAL INSPECTOR'S USE.

**INSTALLER:** LEAVE THESE INSTRUCTIONS WITH THE UNIT FOR THE OWNER.

**OWNER:** PLEASE RETAIN THESE INSTRUCTIONS FOR FUTURE REFERENCE.

---

### **WARNING**

---

When properly cared for, your new appliance has been designed to be safe and reliable. Read all instructions carefully before use. These precautions will reduce the risk of burns, electric shock, fire and injury to persons. When using kitchen appliances, basic safety precautions must be followed including those in the following pages.

---

---

### **WARNING**

---

Do not repair, replace or remove any part of the appliance unless specifically recommended in the manuals. Improper installation, service or maintenance can cause injury or property damage. Refer to this manual for guidance. All other servicing must be done by an authorized service agency.

---

- Install a gas shutoff valve near the appliance. It must be easily accessible in an emergency.
- Leak testing must be conducted by the installer according to the instructions in this manual.
- The appliance and its individual shutoff valve must be disconnected from the gas supply piping system during any pressure testing at pressures in excess of 1/2 psi (3.5 kPa).
- The appliance must be isolated from the gas supply piping system by closing its individual manual shutoff valve during any pressure testing of the gas supply piping system at test pressures equal to or less than 1/2 psi (3.5 kPa).
- The minimum supply pressure must be 1" water column above the manifold pressure printed on the data plate.
- The maximum supply pressure must not exceed 14.0 inches water column (34.9 Millibars).
- For Massachusetts installations:
  - Installation must be performed by a qualified or licensed contractor, plumber or gas fitter qualified or licensed by the state, province or region where this appliance is being installed.
  - Shut-off valve must be a "T" handle gas cock.
  - Flexible gas connector must be new and not longer than 36 inches.

- Installer-show the owner where the gas shut-off valve is located.

### **Propane Gas Installation**

- The propane gas tank must be equipped with its own high pressure regulator. In addition, the regulator supplied with this unit must also be used.
- The appliance is shipped from the factory for use with natural gas. It must be converted for use with propane. A qualified technician or installer must do the conversion.

### **Equipment and Usage Safety Requirements**

- The cooktop must be used in conjunction with a suitable ventilation system.
- Remove all tape and packaging before using the appliance. Destroy the packaging after unpacking the appliance. Never allow children to play with packaging material.
- Never modify or alter the construction of the appliance. For example, do not remove panels, wire covers or screws.
- To eliminate the risk of burns or fire while reaching over heated surface units, cabinet storage space located above the surface units should be avoided. If cabinet storage is to be provided, the risk can be reduced by installing a hood that projects horizontally a minimum of 5 inches beyond the bottom of the cabinet.
- Verify that cabinets above the cooktop are a maximum of 13 inches (330mm) deep.

### **Appliance Handling Safety**

---

#### **CAUTION**

---



- Unit is heavy and requires at least two people or proper equipment to move.
- Hidden surfaces may have sharp edges. Use caution when reaching behind or under appliance.

# **IMPORTANT SAFETY INSTRUCTIONS**

READ AND SAVE THESE INSTRUCTIONS

## **Safety Codes and Standards**

- This appliance complies with one or more of the following standards:  
ANSI Z21.1- • CSA 1.1 Household Cooking Gas Appliances
- It is the responsibility of the owner and the installer to determine if additional requirements and/or standards apply to specific installations.
- Installation must conform with local codes or, in the absence of local codes, with the *National Fuel Gas Code, ANSI Z223.1/NFPA 54* or, in Canada, the *Natural Gas and Propane Installation Code, CSA B149.1*.
- The appliance must be electrically grounded in accordance with local codes or, in the absence of local codes, with the *National Electrical Code ANSI/NFPA 70* or the *Canadian Electric Code, CSA C22.1-02*.

## **State of California Proposition 65 Warning:**

This product may contain a chemical known to the State of California, which can cause cancer or reproductive harm. Therefore, the packaging of your product may bear the following label as required by California:

**STATE OF CALIFORNIA PROPOSITION 65 WARNING:**

 **WARNING**

Cancer and Reproductive Harm - [www.P65Warnings.ca.gov](http://www.P65Warnings.ca.gov)

## **Electric Safety**

- Before you plug in an electrical cord, be sure all controls are in the OFF position.
- For appliances equipped with a cord and plug, do not cut or remove the ground prong. It must be plugged into a matching grounding type receptacle to avoid electrical shock. If there is any doubt as to whether the wall receptacle is properly grounded, the customer should have it checked by a certified electrician.
- This appliance should be installed in accordance with the National Electric Code or Canadian Electrical Code. It is required that the cooktop be installed on a grounded, non-GFCI branch circuit.
- Installer-show the owner the location of the circuit breaker or fuse. Mark it for easy reference.
- Before installing, turn power OFF at the service panel. Lock service panel to prevent power from being turned ON accidentally.
- Be sure your appliance is properly installed and grounded by a certified technician. Installation, electrical connections and grounding must comply with all applicable codes.

## **High Altitude Installation**

Contact customer service for use at altitudes above 2,000 feet (610 meters).

# Before You Begin

## Tools and Parts Needed

- Phillips Head Screwdriver
- Precision Flathead Screwdriver
- Tape Measure
- Teflon Tape (Gas Rated)
- Adjustable Wrench or Channel Lock Pliers

## Parts Included

- Foam Tape
- Mounting Brackets (4)
- Screws, #10-32 x 2 1/2" (63.8 mm) (4)
- Sheet Metal Screws, #8 x 3/8" (9.5 mm) (4)
- Washers (4)
- Burner Grates (3)
- Burners
  - 30" models: (4) or (5)
  - 36" models: (5)
- Burner Caps
  - 30" models: (4) or (5)
  - 36" models: (5)
- Pressure Regulator
- LP Gas Conversion Kit

**Note:** If parts are missing or damaged, call the number or write to the address listed on the inside back cover.

## General Information

### Overall Dimensions

	30" Models	36" Models
Width (Side to Side)	31" (788 mm)	37" (940 mm)
Depth (Front to Back)	21 1/4" (540 mm)	21 1/4" (540 mm)
Height (Top to Bottom)	3 13/16" (97 mm)	3 13/16" (97 mm)

**Note:** These are overall dimensions NOT cutout dimensions.

## Preparation

### Electrical Requirements

#### ▲ CAUTION

Do not use an extension cord with the gas cooktop.

This appliance requires a 60 Hz, 15 Amp, 120 VAC connection. Plan the installation so that the power connection is accessible from the front of the cabinet.

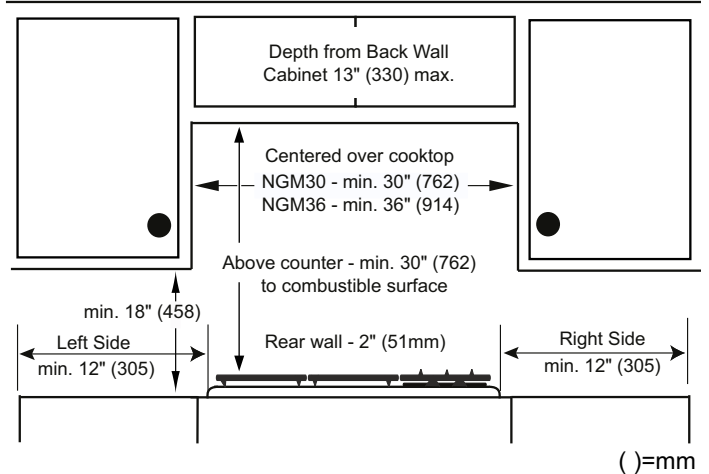
### Gas Requirements

Supply Pressure:

- **Natural Gas:** 7 inches water column (14.9 Millibars)
- **Propane Gas:** 11 inches water column (27.4 Millibars)

The propane gas tank must be equipped with its own high pressure regulator in addition to the pressure regulator supplied with this unit. The cooktop is shipped from the factory for use with natural gas. For use with LP conversion, a certified technician or installer must do the conversion.

### Cabinet Requirements



- Instructions are based on standard American cabinets 36" high (91cm) x 24" deep (61cm) with a 25" (63cm) countertop.
- The maximum depth of a cabinet installed above the cooktop is 13" (33cm).

**Note:** All measurements given must be precisely followed. If nonstandard cabinets are used, make sure they are installed with minimum dimensions shown.

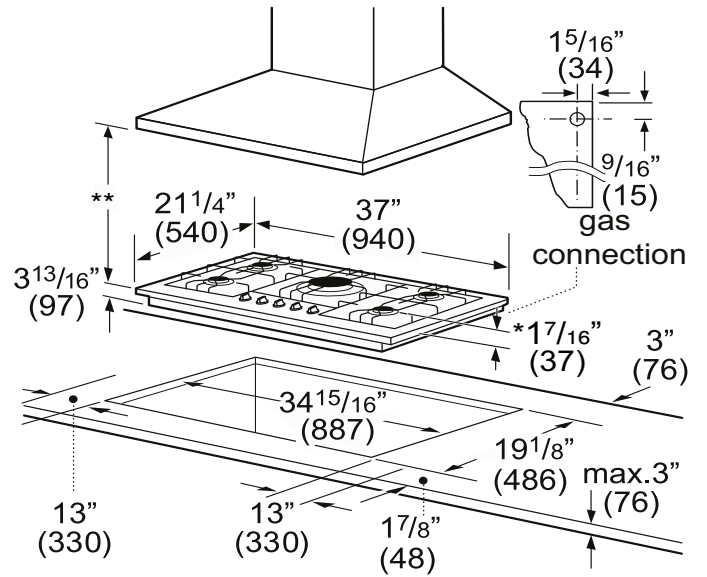
## Hook Up

A manual gas shut-off valve must be installed external to the appliance, in a location accessible from the front, for the purpose of shutting of the gas supply.

- Plan the installation of the unit so that the power cord, gas shut-off valve and gas pressure regulator are accessible from the front of the cabinet.
- The supply line must not interfere with the back of the unit.
- Make sure the gas supply is turned off at the manual shut-off valve before connecting to the appliance.

## Countertop Requirements

**Note:** All measurements given must be precisely followed. If nonstandard cabinets are used, make sure they are installed with minimum dimensions shown in image below.



- \*Dimension from countertop to top of grates
- \*\*When installed in combination with a hood, refer to hood manufacturer's requirements for installation.

## 36" Models

### Mounting Requirements

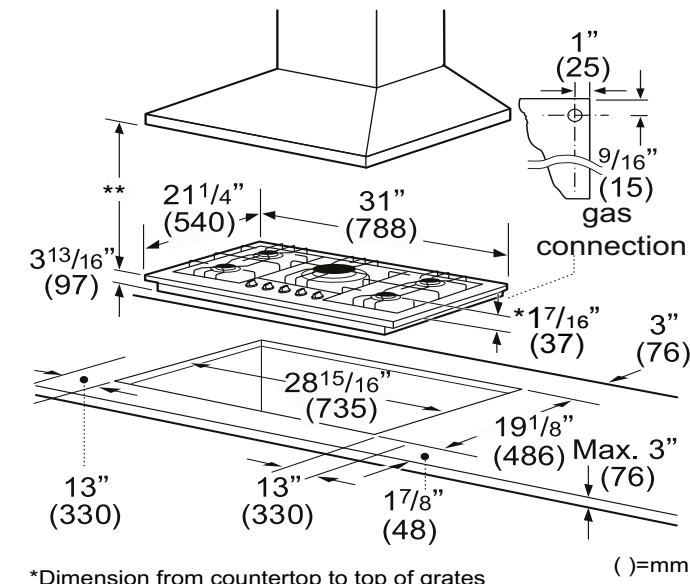
Use the hold down brackets supplied. See "Install the Cooktop" section for further details.

### Ventilation Requirements

We strongly recommend the installation of ventilation with the appliance. The appliance must be installed according to the furnished instructions.

## CAUTION

The appliance should not be installed with a ventilation system that blows air downward toward the burners. This type of ventilation system may cause ignition and combustion problems with the gas cooking appliance resulting in personal injury or unintended operation.



- \*Dimension from countertop to top of grates
- \*\*When installed in combination with a hood, refer to hood manufacturer's requirements for installation.

## 30" Models



# Installation Procedure

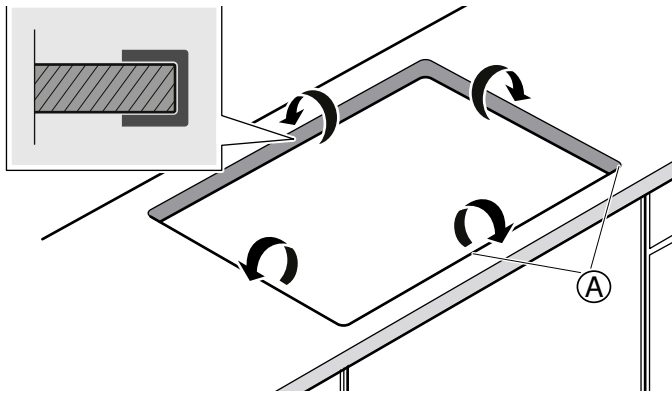
## Prepare the Countertop

### ⚠ WARNING

To avoid electrical shock hazard, before installing the cooktop, switch power off at the service panel to prevent the power from being switched on accidentally.

Cut out the countertop per the dimensions shown in the section “**Cabinet Requirements**”.

Some solid surface materials require different cutting methods. Consult with the solid surface manufacturer for the correct cutting method needed. Apply heat reflective tape such as Scotch Aluminum Foil Tape #425 or #427 (not included) around the cutout so that it folds over the top and sides. Do not wrap the tape underneath the cooktop. Be sure the tape extends beyond the outermost flange of the cooktop. All corners should be covered with tape.



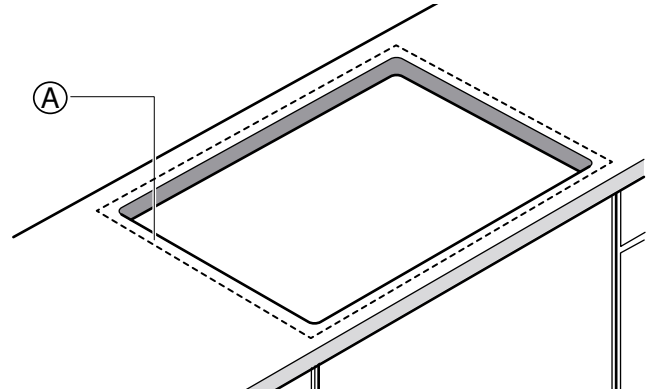
### Solid Surface Countertops-Counter Cutout

**A** Heat Reflective Tape

## Seal the Cooktop with Foam Tape

**Note:** Failure to install the foam tape may affect burner performance.

Apply the self adhesive foam tape in one continuous rectangle directly to the counter around the perimeter of the cutout as shown by the dotted line in the image below. The foam tape should be flush with the edge of the cutout.

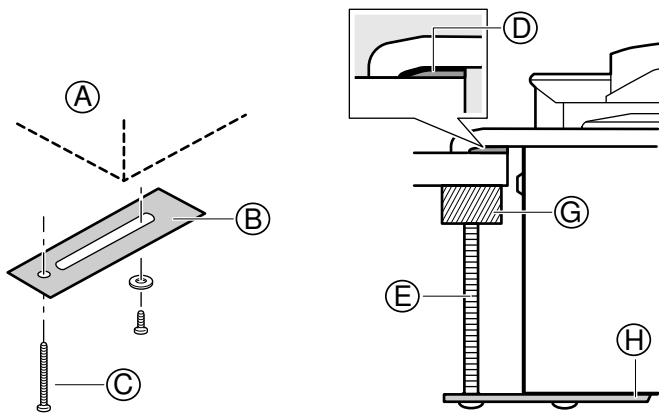


### Foam Tape Placement-Counter Cutout

**A** Foam Tape Placement

## Install the Cooktop

Insert the cooktop into the cutout. Attach the clamps of the mounting brackets packaged with the cooktop. Use the washer and screws provided.



Adjust the mounting brackets to desired position and tighten screws to cooktop. Insert adjusting screw into clamp and secure cooktop to countertop.

### Attaching Mounting Brackets

<b>A</b>	Cooktop
<b>B/H</b>	Hold Down Bracket
<b>C/E</b>	Adjusting Screw
<b>D</b>	Foam Tape (Seal)
<b>G</b>	Wooden Block (to be used with solid surfacing material)

**Note:** For solid surface material installations:

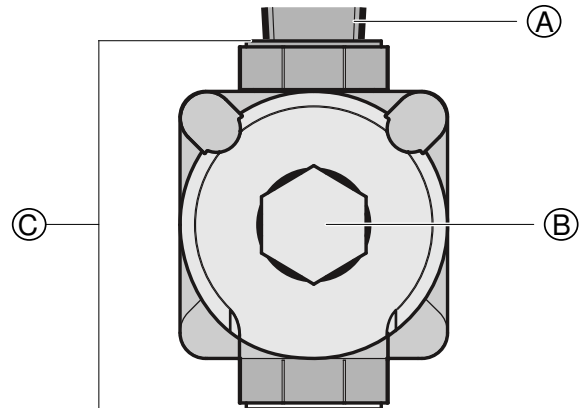
- Insert a wooden block between the end of the screw and the bottom of the countertop.
- Do not overtighten adjusting screw.
- Trim excess aluminum tape around cooktop flange.

**Tip:** Install hold down bracket without the adjusting screw installed. Turn hold down brackets flush with the sides of the cutout. This will help with inserting cooktop in hard-to-reach spaces.

## Connect Gas Supply

The gas inlet to the unit is located at the right rear of the cooktop.

Install the pressure regulator (supplied with unit) to manifold pipe using Teflon tape on threads of manifold pipe. Turn to hand tighten plus 1/4 turn, not exceeding 1 turn for alignment. To prevent possible damage to the gas pressure regulator, install it after the cooktop is in its permanent position. When the regulator is securely installed on the manifold pipe, the conversion nut will be easily accessible.



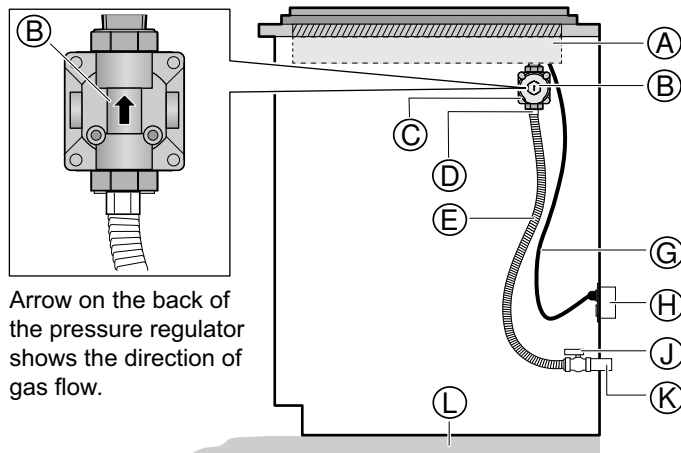
### Pressure Regulator

<b>A</b>	Manifold Pipe
<b>B</b>	Conversion Nut
<b>C</b>	Pressure Regulator

### ⚠ WARNING

Do not attempt any adjustment of the pressure regulator, except when converting to propane. Adjustments could lead to leaks or cause incorrect gas pressure to the appliance.

## Side View Gas Cooktop Installation



### Gas and Electrical Location

<b>A</b>	Rough-in Cooktop Box
<b>B</b>	Arrow on Pressure Regulator
<b>C</b>	Pressure Regulator
<b>D</b>	1/2" Female Pipe Threads
<b>E</b>	Flexible Gas Line
<b>G</b>	Power Cord (60 inches/1,524mm)
<b>H</b>	120 Volt Receptacle
<b>J</b>	Gas Cut-off Valve
<b>K</b>	Gas Supply Line Stub-out
<b>L</b>	Floor

Connect the gas supply line to the unit pressure regulator using a 1/2" flex gas line connector between manual shut-off valve and pressure regulator. Always use a new flex line.

Check supply line connections for leaks using a soap solution or non-corrosive leak detection fluid. Do not use a flame of any sort.

1. Turn on gas.
2. Apply a soap solution or non-corrosive leak detection fluid to all joints and fittings in the gas connection between the shut-off valve and the cooktop. Include gas fittings and joints in the cooktop if connections may have been disturbed during installation. Bubbles appearing around fittings and connections indicate a leak.
3. If a leak appears, turn off supply line gas shut-off valve and tighten connections.
4. Retest for leaks by turning on the supply line gas shut-off valve. When leak check is complete (no bubbles appear), test is complete.
5. Wipe off all soap solution or detection fluid residue.

### Important Notes for Gas Connection:

- The appliance and its individual gas shutoff valve must be disconnected from the gas supply piping system during any pressure testing of that system at test pressures in excess of 1/2 psi (3.5kPa).
- The appliance must be isolated from the gas supply piping system by closing its individual manual shut-off valve during any pressure testing of the gas supply piping system at test pressures equal to or less than 1/2 psi (3.5kPa).

### Connect Electrical Supply

Before connecting the 5-foot (1.5m) supply cord to a wall receptacle, make certain that gas shut-off valve and all burner controls are in OFF position.

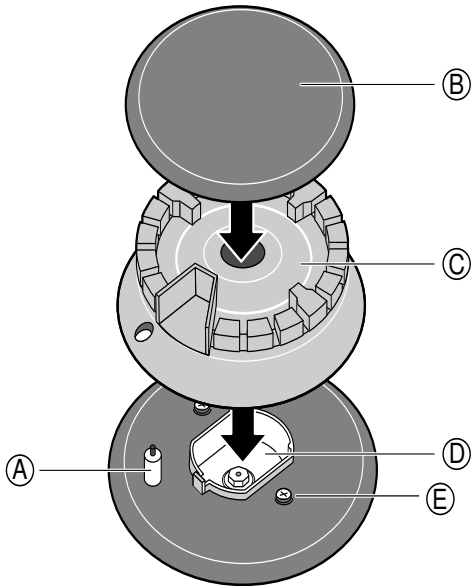
### Burner Cap and Burner Base Placement

#### ▲ WARNING

To prevent flare-ups, do not use the cooktop without all burner caps and all burner grates properly positioned.

#### ▲ WARNING

To prevent burns, do not touch burner caps or grates while hot. Turn the cooktop off and allow the entire cooktop to cool.

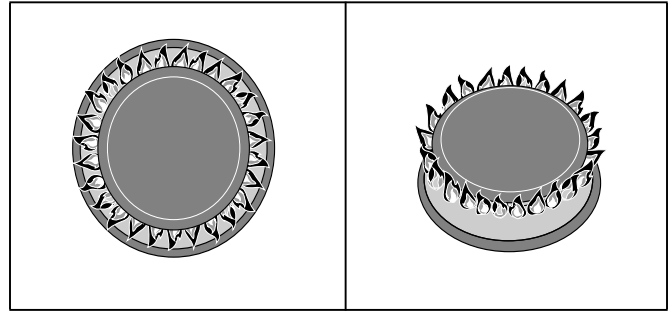


<b>A</b>	Igniter
<b>B</b>	Burner Cap
<b>C</b>	Burner Base
<b>D</b>	Jet Holder
<b>E</b>	Panhead Screw

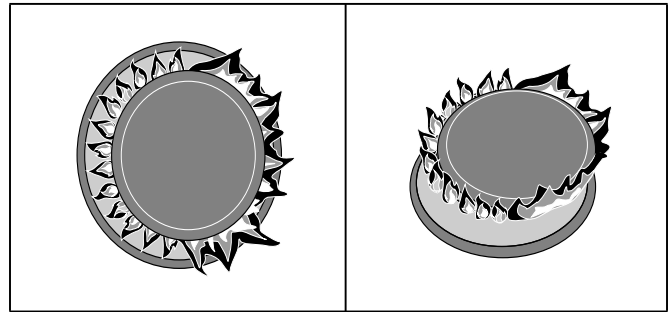
The burner caps must be properly placed for the cooktop to function properly. If the burner cap is not properly placed, one or more of the following problems may occur:

- Burner flames are too high.
- Burner flames extend too far on sides.
- Stainless steel discolors.
- Burners do not ignite.
- Burner flames light unevenly.
- Burner emits gas odor.

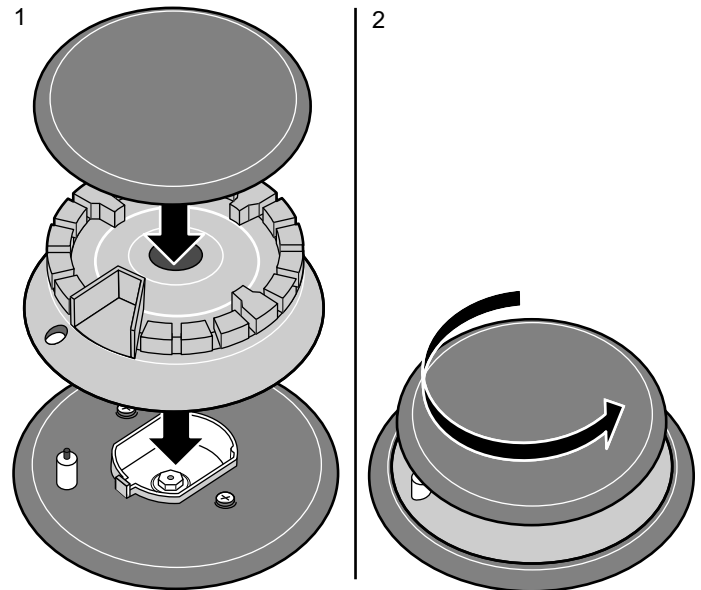
### Correct Burner Cap Placement



### Incorrect Burner Cap Placement



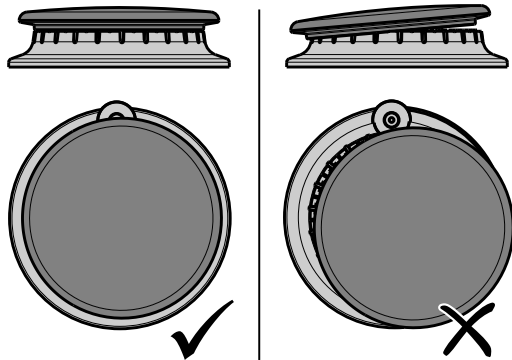
### Burner Base and Burner Cap Placement



- After electrical connection is complete, place each burner base on the corresponding location on the cooktop.
- Pay special attention to avoid damaging the igniter during installation of the base.
- The small hole or cutout near the edge should also line up with the igniter.
- Once each burner base is located and resting evenly, place each burner cap on its correct burner base.

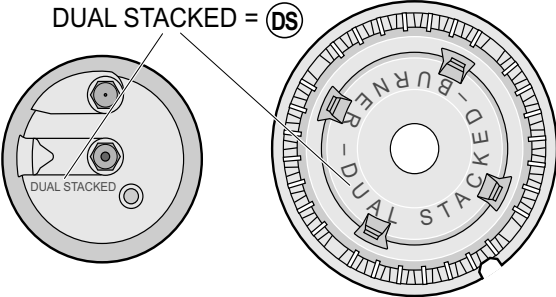

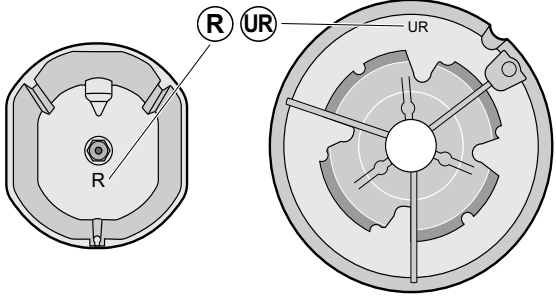
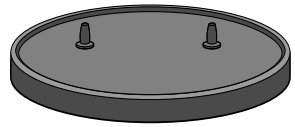
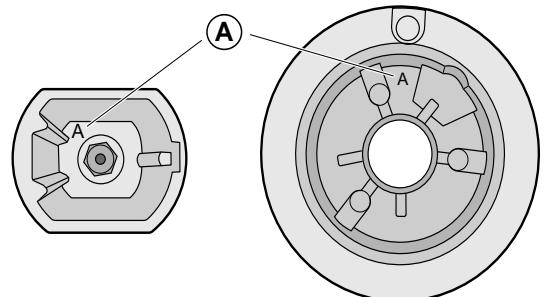
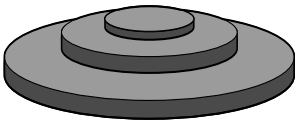
- Place burner cap gently on top of base so that the prongs of the burner base fit snugly into the groove of the burner cap.
- Make sure the cap is centered on the burner base and lies flat and that there is no gap between the burner base and the burner cap.

- Gently try to move the burner cap from side to side to check for proper placement. If placement is correct, the cap will click from side to side as the prongs hit the grooved ridge on the underside of the cap.
- If the maintop is removed by a certified installer (for example to check electrical or piping connection) the panhead screws that were removed must be re-installed to ensure proper functionality of burners.



**Correct Placement for Burner Base and Burner Cap**

Corresponding Jet Holder and Burner Base	Burner Cap Dimensions	Corresponding Burner Cap
	<p><b>3 15/16" (100 mm)</b></p>	
	<p><b>2 15/16" (75 mm)</b></p>	
	<p><b>2 3/16" (55 mm)</b></p>	

 <p>DUAL STACKED = <b>DS</b></p>	<p><b>3 7/8" (98.5 mm)</b></p>	
 <p><b>R</b> <b>UR</b></p>	<p><b>4 1/2" (116 mm)</b></p>	
 <p><b>A</b></p>	<p><b>3 3/4" (95 mm)</b> <b>OptiSim® Burner Cap</b></p>	

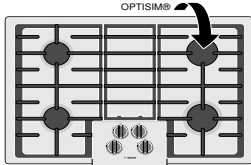
- The jet holder and the burner base have corresponding letter demarcations to ensure proper placement of the burner base.
- The corresponding letters can be found on the inside bottom of the jet holder and on the bottom of the burner base.

<notes> NoLang

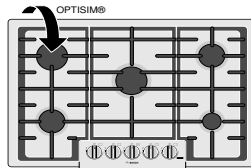
- The cooktop comes with an extra burner cap.
- The A/A burner cap is for an auxiliary burner. It can be replaced with the OptiSim® burner cap. See instructions under **OptiSim® Burner Cap Placement** for proper location and correct installation.

The OptiSim® has been designed to work with the small burner located in the rear position of the cooktop and is used to provide optimal simmering for delicate sauces while minimizing the risk of scorching.

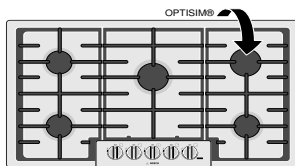
**OptiSim® Burner Cap Placement**  
**30" 4 Burner**



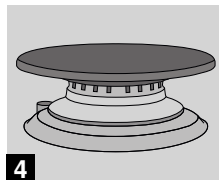
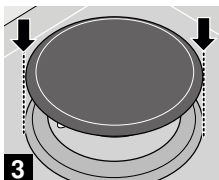
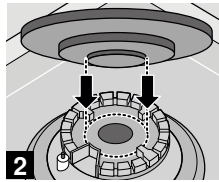
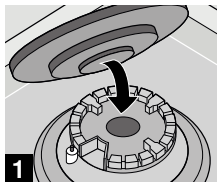
**30" 5 Burner**



**36" 5 Burner**



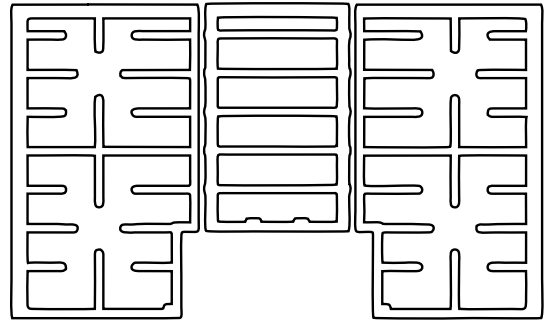
**OptiSim® Burner Cap Installation**



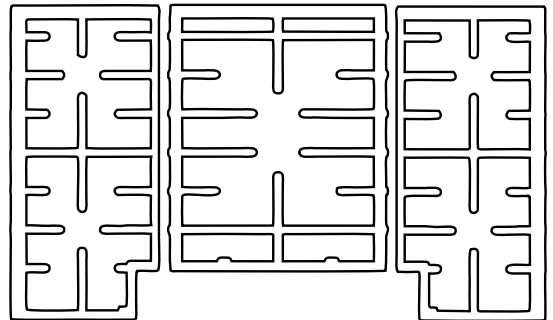
When properly installed the cap will extend beyond the burner base and raised surface.

**Install Burner Grates**

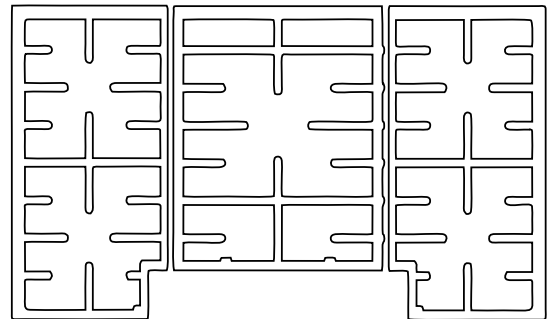
Properly position and install each burner grate as shown in the illustration below.



**30" 4 Burner**



**30" 5 Burner**



**36" 5 Burner**

**▲ WARNING**

To prevent flare-ups, properly support pots and avoid spills, all grates must be properly positioned on the cooktop whenever the cooktop is in use. Each of the four feet must be placed into the corresponding dimples in the cooktop. Do not use a grate if the rubber feet are missing or damaged.

**For replacement of rubber feet:** Call Customer Support at 1-800-944-2904.

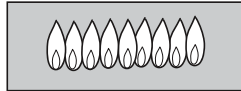
## Check the Installation

Place each correct sized burner cap in its seated, notched position and check the operation of the electric igniters. Check flame characteristics. Flame should be blue with a minimal yellow tip on the outer cone of the flames.

### Checking Flame Characteristics

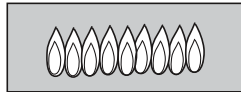
#### Yellow Flames:

Further adjustment is required.



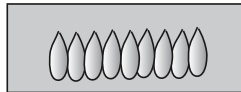
#### Yellow Tips on Outer Cones:

Normal for LP Gas



#### Soft Blue Flames:

Normal for Natural Gas



---

**Note:** If the flame is completely or mostly yellow, verify that the regulator is set for the correct fuel. After adjustment, retest.

Some yellow streaking is normal during the initial start-up. Allow unit to operate 4-5 minutes and re-evaluate before making adjustments.



# Service

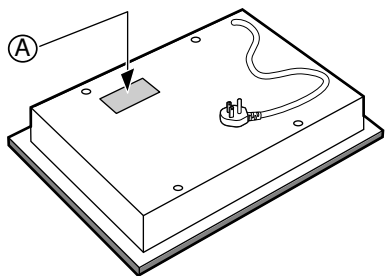
## Before Calling Service

If the igniters do not spark or the “on” indicator lights (available in some models) do not glow, check the power source to see if a fuse has blown or if the circuit breaker has tripped.

Refer to the Statement of Limited Warranty in the Use and Care Manual. See the Use and Care Manual for troubleshooting information.

## Product Rating Label

The rating label shows the model number and the FD number (production number/product’s unique identifier) of your cooktop. It is located on the underside of the cooktop.



## Rating Label Location

A Rating Label

---

## Model number and FD Number

The model number and the FD number of your appliance are found on the rating label. Make a note of these numbers in the space below to save time in the event your appliance requires service.

Model #	FD #
Bosch Customer Support	800-944-2904

---

Keep your invoice or escrow papers for warranty validation if service is needed.

# Table des Matières

<b>▲ Définitions de sécurité</b> .....	<b>19</b>	Informations générales .....	23
<b>IMPORTANTES CONSIGNES DE SÉCURITÉ</b> .....	<b>20</b>	Préparatifs .....	23
Utilisation sécuritaire de l'électroménager alimenté au gaz : .....	20	<b>Procédure d'installation</b> .....	<b>25</b>
.....	21	Préparation du plan de travail .....	25
Installation au gaz propane .....	21	Sceller la table de cuisson avec le ruban de mousse .....	25
Exigences en matière de sécurité pour l'utilisation et l'équipement .....	21	Installation de la table de cuisson .....	26
Sécurité de manutention des appareils .....	22	Branchement du gaz .....	26
Codes et normes de sécurité .....	22	Brancher l'alimentation électrique .....	27
Avertissement issue de la proposition 65 de l'État de la Californie : .....	22	Positionnement du chapeau et de la base du brûleur .....	27
Sécurité électrique .....	22	Installation des grilles du brûleur .....	31
Installation à altitude élevée .....	22	Vérification de l'installation .....	32
<b>Avant de commencer</b> .....	<b>23</b>	<b>Dépannage</b> .....	<b>33</b>
Outils et pièces nécessaires .....	23	Avant d'appeler le service de dépannage .....	33
Pièces incluses .....	23		

Cet appareil électroménager Bosch est fabriqué par  
BSH Home Appliances Corporation  
1901 Main Street, Suite 600  
Irvine, CA 92614

Vous avez des questions?

1 800 944-2904

[www.bosch-home.com/us](http://www.bosch-home.com/us)

Nous nous ferons un plaisir de vous servir!

---

## Définitions de sécurité

---

### AVERTISSEMENT

---

Ceci indique que le non-respect de cet avertissement peut entraîner des blessures graves, voire la mort.

---

---

### ATTENTION

---

Ceci indique que le non-respect de cet avertissement peut entraîner des blessures légères ou de gravité moyenne.

---

**AVIS :** Ceci indique que la non-conformité à cet avis de sécurité peut entraîner des dégâts matériels ou endommager l'appareil.

**Remarque :** Ceci vous signale des informations et/ou indications importantes.

# **⚠ IMPORTANTES CONSIGNES DE SÉCURITÉ**

LIRE ET CONSERVER CES INSTRUCTIONS

Utilisation sécuritaire de l'électroménager alimenté au gaz :

**⚠ AVERTISSEMENT :** Si les directives ne sont pas suivies à la lettre, il y a un risque d'incendie ou d'explosion pouvant entraîner des dommages matériels, des blessures ou un décès.

- Ne pas conserver ou utiliser de l'essence ou d'autres liquides ou vapeurs inflammables à proximité de cet appareil ou de tout autre appareil.
- **QUE FAIRE SI VOUS PERCEVEZ UNE ODEUR DE GAZ**
  - Ne pas essayer de mettre un appareil sous tension.
  - Ne pas toucher d'interrupteur de courant électrique.
  - Ne pas utiliser de téléphones dans l'édifice.
  - Communiquer immédiatement avec le fournisseur de gaz depuis l'appareil téléphonique d'un voisin. Respecter les directives du fournisseur de gaz.
  - S'il s'avère impossible de joindre le fournisseur de gaz, communiquer avec les pompiers.
- Utiliser les services d'un installateur ou d'une agence de services qualifiés ou le fournisseur de gaz pour procéder à l'installation et aux réparations.

## **⚠ AVERTISSEMENT :**

Ne jamais faire fonctionner la surface de la table de cuisson de cet appareil sans surveillance.

- Le non-respect de cet avertissement pourrait entraîner un risque d'incendie, d'explosion ou de brûlure qui pourrait provoquer des dommages matériels, des blessures ou un décès.
- En cas d'incendie, se tenir à l'écart de l'appareil et appeler immédiatement les pompiers.

**NE PAS ESSAYER D'ÉTEINDRE UN INCENDIE DE GRAISSE OU D'HUILE AVEC DE L'EAU.**

# ⚠ **IMPORTANTES CONSIGNES DE SÉCURITÉ**

## LIRE ET CONSERVER CES INSTRUCTIONS

**IMPORTANT :** CONSERVEZ CES CONSIGNES À L'INTENTION DE L'INSPECTEUR EN ÉLECTRICITÉ.

**INSTALLATEUR :** PRIÈRE DE LAISSER CES CONSIGNES AVEC CET APPAREIL À L'INTENTION DU PROPRIÉTAIRE.

**PROPRIÉTAIRE :** PRIÈRE DE CONSERVER CES CONSIGNES POUR RÉFÉRENCE ULTÉRIEURE.

---

### AVERTISSEMENT

Correctement entretenu, votre électroménager neuf a été conçu pour être sécuritaire et fiable. Lisez attentivement toutes les instructions avant l'utilisation. Ces précautions réduiront le risque de brûlure, d'électrocution, d'incendie et de blessures corporelles. Lorsque vous utilisez des appareils électroménagers de cuisine, il importe de suivre des précautions de sécurité de base, y compris celles indiquées dans les pages suivantes.

---

### AVERTISSEMENT

Ne pas réparer, remplacer ni retirer toute pièce de l'électroménager à moins que cela ne soit spécifiquement recommandé par les manuels. L'installation, l'entretien ou une réparation inadéquat pourrait causer des blessures ou des dégâts matériels. Consulter ce manuel pour les directives d'utilisation. Toute autre réparation doit être effectuée par une agence de service d'entretien autorisé.

- Installer un robinet d'arrêt près de l'électroménager. Il doit être facilement accessible en cas d'urgence.
- L'installateur doit procéder au test de fuites selon les consignes fournies dans le présent manuel.
- L'appareil et son propre robinet d'arrêt doivent être déconnectés de la canalisation du système d'alimentation en gaz au cours de test aux pressions qui dépassent 1/2 PSI (3,5 kPa).
- L'électroménager doit être isolé de la canalisation du système d'alimentation en gaz en fermant son propre robinet d'arrêt manuel pour tout test de pression à des pressions égales ou inférieures à 1/2 PSI (3,5 kPa).
- La pression d'admission minimum doit être de 1 po de colonne d'eau au-dessus de la pression d'admission imprimée sur la plaque signalétique.

- La pression d'admission maximum ne doit pas excéder 14 po de colonne d'eau (34,5 millibars).
- Pour les installations au Massachusetts :
  - L'installation doit être exécutée par un entrepreneur, un plombier ou un ajusteur d'appareils à gaz qualifié ou autorisé par l'État, la province ou la région d'installation de cet électroménager.
  - Le robinet d'arrêt doit être robinet à gaz avec poignée en T.
  - Le connecteur à gaz souple doit être neuf et ne doit pas dépasser 36 pouces.
- Installateur : prière d'indiquer au propriétaire, l'emplacement du robinet d'arrêt.

### Installation au gaz propane

- Le réservoir de gaz propane doit être doté de son propre régulateur de pression élevée. De plus, le régulateur de pression livré avec cet appareil doit aussi être utilisé.
- L'électroménager est livré de l'usine prêt à utiliser avec du gaz naturel. Il doit être converti pour usage avec gaz propane. Un technicien ou un installateur qualifié doit procéder à la conversion.

### Exigences en matière de sécurité pour l'utilisation et l'équipement

- Utiliser un système de ventilation convenable avec la table de cuisson.
- Retirer tout le ruban adhésif et l'emballage avant d'utiliser l'électroménager. Jeter l'emballage après avoir déballé l'électroménager. Ne jamais laisser les enfants jouer avec le matériel d'emballage.
- Ne jamais altérer ni modifier la configuration de l'électroménager. Par exemple, ne pas retirer les panneaux, les couvre-fils ou les vis.
- Pour éliminer le risque de brûlure ou d'incendie lorsque vous vous étirez au-dessus des surfaces chauffantes de l'électroménager, il faut éviter d'installer des armoires de rangement au-dessus de la surface de l'électroménager. Si une armoire de rangement est installé, il est possible de réduire le risque en installant une hotte qui dépasse (horizontalement) d'au moins 5 po le bord du fond de l'armoire.
- Vérifier que la profondeur des armoires au-dessus de la table de cuisson est au maximum de 13 po (330 mm).

# **IMPORTANTES CONSIGNES DE SÉCURITÉ**

## LIRE ET CONSERVER CES INSTRUCTIONS

### Sécurité de manutention des appareils

#### ATTENTION



- L'appareil est lourd et son déplacement exige au moins deux personnes ou encore un équipement approprié.
- Les surfaces cachées peuvent comporter des arêtes vives. Redoubler de vigilance quand vous passez la main derrière ou sous l'appareil électroménager.

### Codes et normes de sécurité

- Cet appareil est conforme à une ou plusieurs des normes suivantes :  
ANSI Z21.1- • CSA 1.1, Appareils électroménagers pour la cuisson à gaz
- Il incombe au propriétaire et à l'installateur de déterminer si des exigences et/ou normes additionnelles s'appliquent pour des installations spécifiques.
- L'installation doit être conforme aux codes locaux ou, en l'absence de tels codes, au *National Fuel Gas Code ANSI Z223.1/NFPA 54* ou, au Canada, au code national *CSA B149.1 d'installation du gaz naturel et du propane*.
- L'électroménager doit être mis à la terre en conformité aux codes locaux, ou en l'absence de tels codes, au *National Electric Code ANSI/NFPA 70* ou, au Canada, au code canadien de l'électricité *CSA C22.1-02*.

### Avertissement issue de la proposition 65 de l'État de la Californie :

Ce produit pourrait contenir un produit chimique reconnu par l'État de la Californie comme cancérigène ou ayant des effets nocifs sur la reproduction. Par conséquent, vous pourriez devoir apposer l'étiquette suivante sur l'emballage du produit comme requis par la Californie :

**AVERTISSEMENT ISSUE DE LA PROPOSITION 65 DE L'ÉTAT DE LA CALIFORNIE :**

 **AVERTISSEMENT**

Cancer et dommages à la reproduction -  
[www.P65Warnings.ca.gov](http://www.P65Warnings.ca.gov)

### Sécurité électrique

- Avant de brancher le cordon électrique, vérifier que toutes les commandes sont à la position OFF (Arrêt).
- Pour les électroménagers dotés d'un cordon d'alimentation avec fiche, ne pas couper ni enlever la broche de mise à la terre. Pour éviter toute électrocution, brancher le cordon dans une prise de courant correspondante avec mise à la terre. En cas de doute concernant la mise à la terre appropriée de la prise murale, le client doit faire vérifier celle-ci par un électricien qualifié.
- Cet électroménager doit être installé conformément au Code national de l'électricité ou au Code canadien de l'électricité. L'installation de la table de cuisson doit être sur un circuit mis à la terre sans disjoncteur différentiel de fuite à la terre (non-DDFT).
- Installateur : Indiquez au propriétaire l'emplacement du disjoncteur ou du fusible. Identifiez sa position pour pouvoir le retrouver facilement.
- Avant l'installation, couper l'alimentation au panneau de service. Verrouiller le panneau de service pour empêcher que l'alimentation ne soit rétablie par accident.
- S'assurer que l'électroménager est correctement installé et mis à la terre par un technicien qualifié. L'installation, les raccordements électriques et la mise à la terre doivent être conformes avec tous les codes applicables.

### Installation à altitude élevée

Communiquer avec le service après-vente pour une utilisation au-dessus de 2 000 pi (610 mètres).

# Avant de commencer

## Outils et pièces nécessaires

- Tournevis à tête Phillips
- Tournevis à lame plate de précision
- Ruban à mesurer
- Ruban de teflon (de classe Gaz)
- Clé réglage ou pince multiprise

## Pièces incluses

- Ruban de mousse
- Supports de fixation (4)
- Vis, no 10-32 x 2 1/2 po (63,8 mm) (4)
- Vis à tôle, No 8 x 3/8 po (9,5 mm) (4)
- Rondelles (4)
- Grilles de brûleur (3)
- Brûleurs
  - Modèles de 30 po : (4) ou (5)
  - Modèles de 36 po : (5)
- Chapeaux de brûleur
  - Modèles de 30 po : (4) ou (5)
  - Modèles de 36 po : (5)
- Régulateur de pression
- Trousse de conversion au gaz de PL

**Remarque :** Si des pièces sont manquantes ou endommagées, composer le numéro indiqué ou écrire à l'adresse indiquée à la troisième de couverture.

## Informations générales

### Dimension hors tout

	Modèles de 30 po	Modèles de 36 po
Largeur (d'un côté à l'autre)	31 po (788 mm)	37 po (940 mm)
Profondeur (de l'avant vers l'arrière)	21 1/4 po (540 mm)	21 1/4 po (540 mm)
Hauteur (du haut au bas)	3 13/16 po (97 mm)	3 13/16 po (97 mm)

**Remarque :** Ce sont les dimensions hors tout et NON les dimensions pour la découpe.

## Préparatifs

### Exigences électriques

#### ▲ ATTENTION

Ne pas utiliser une rallonge avec la table de cuisson.

Cet électroménager a besoin d'un raccord de 60 Hz, 15 A, 120 volts c.a. Planifier l'installation de sorte que le raccord électrique est accessible de l'avant de l'armoire.

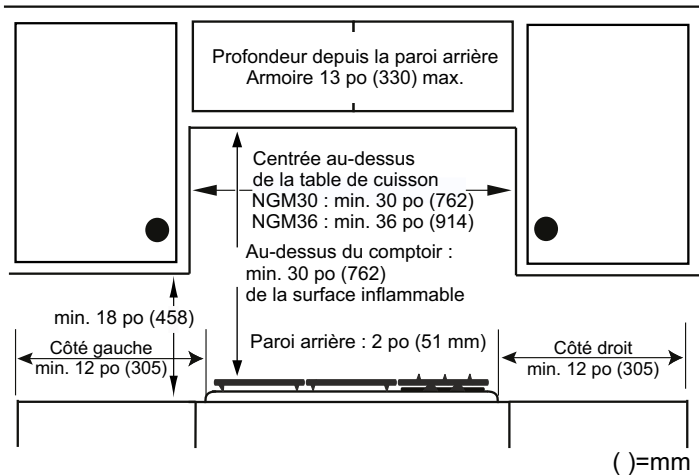
### Exigences en matière de gaz

Pression d'admission :

- **Gaz naturel :** 7 po de colonne d'eau (14,9 millibars)
- **Gaz propane :** 11 po de colonne d'eau (27,4 millibars)

Le réservoir de gaz propane doit être doté de son propre régulateur de pression élevée en plus du régulateur de pression fourni avec cet appareil. Cette table de cuisson est livrée de l'usine prête à utiliser avec du gaz naturel. Pour une conversion au gaz de PL, un technicien ou un installateur qualifié doit y procéder.

### Exigences concernant les armoires



- Les directives sont fondées sur des armoires normales (aux États-Unis) de 36 po (91 cm) de hauteur et de 24 po (61 cm) de profondeur avec un plan de travail à 25 po (63 cm).
- La profondeur maximale de l'armoire installée au-dessus de la table de cuisson est de 13 po (33 cm).

**Remarque :** Il faut respecter précisément toutes les mesures fournies. Dans le cas d'armoires hors normes, s'assurer qu'elles respectent les dimensions minimales d'installation indiquées.

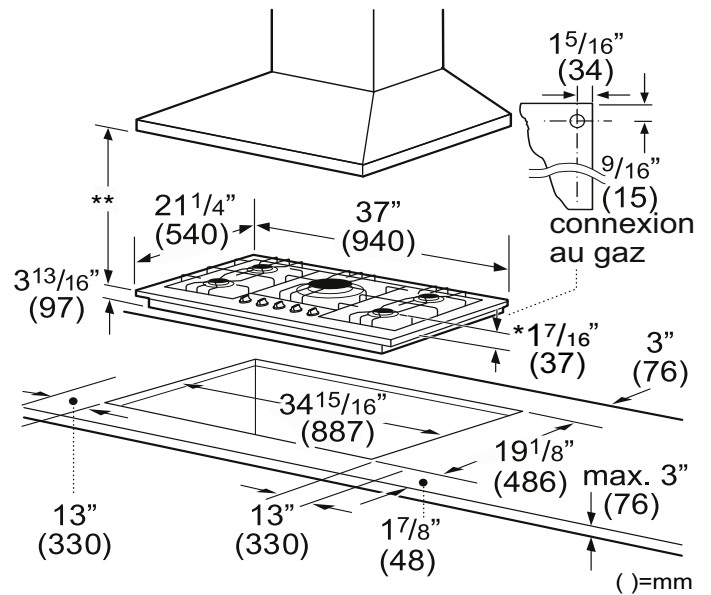
## Raccordement

Pour couper l'alimentation en gaz, il faut installer un robinet d'arrêt manuel externe à l'appareil électroménager, à un endroit accessible de l'avant.

- Planifier l'installation de l'appareil de sorte que le cordon d'alimentation, le robinet d'arrêt et le régulateur de pression du gaz sont accessibles de l'avant de l'armoire.
- La conduite d'alimentation en gaz ne doit pas nuire à l'arrière de l'appareil.
- S'assurer que le robinet d'arrêt manuel est fermé pour couper l'alimentation en gaz avant de raccorder le gaz à l'appareil électroménager.

## Exigences concernant le plan de travail

**Remarque :** Il faut respecter précisément toutes les mesures fournies. Dans le cas d'armoires hors normes, s'assurer qu'elles ont les dimensions minimales d'installation indiquées sur l'image ci-dessous.



\* Distance du plan de travail à la face supérieur des grilles

\*\* Lors d'une installation en combinaison avec une hotte, consulter les exigences d'installation du fabricant de la hotte.

## Modèles de 36 po

### Exigences pour la fixation

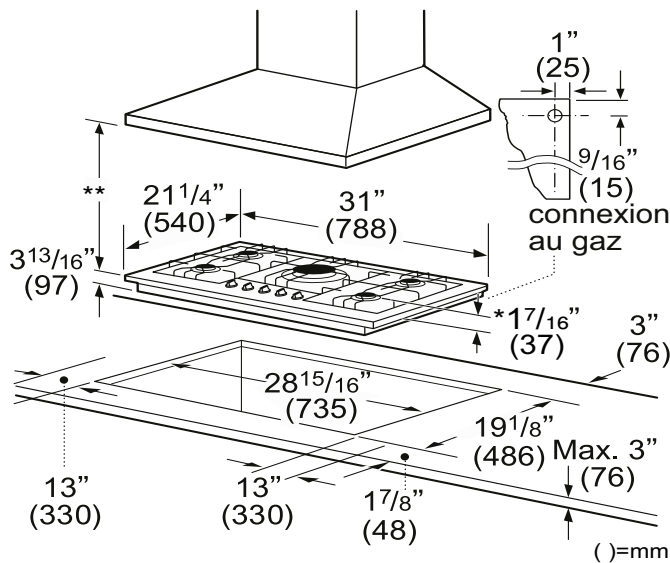
Utiliser les supports de fixation fournis. Consulter la section « Installation de la table de cuisson » pour de plus amples renseignements.

### Exigences concernant la ventilation

Nous recommandons fortement l'installation d'un système de ventilation avec l'électroménager. Il doit être installé conformément aux consignes d'installation fournies.

### ▲ ATTENTION

L'électroménager ne doit pas être installé avec un système de ventilation qui souffle l'air vers le bas en direction des brûleurs. Ce type de système de ventilation peut entraîner des problèmes d'allumage et de combustion avec l'appareil de cuisson au gaz pouvant causer des blessures corporelles ou un fonctionnement indésirable.



\* Distance du plan de travail à la face supérieur des grilles

\*\* Lors d'une installation en combinaison avec une hotte, consulter les exigences d'installation du fabricant de la hotte.

## Modèles de 30 po



# Procédure d'installation

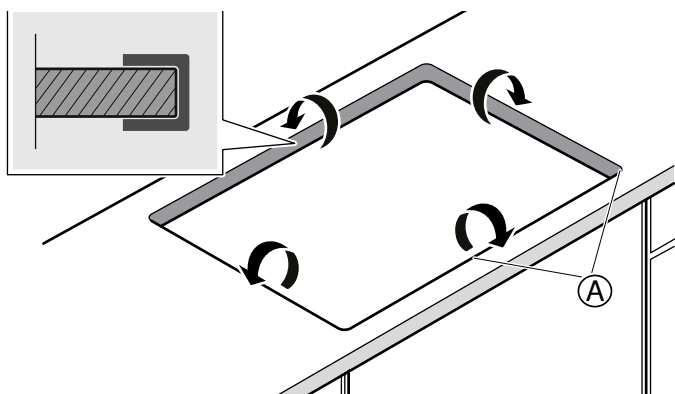
## Préparation du plan de travail

### ⚠ AVERTISSEMENT

Pour éviter tout danger d'électrocution avant d'installer la table de cuisson, couper l'alimentation au panneau de service pour éviter que l'alimentation soit rétablie accidentellement.

Découper le plan de travail aux dimensions indiquées dans la section « **Exigences concernant les armoires** ».

Certains matériaux demandent des méthodes de découpe différentes. Consulter le fabricant de la surface solide pour connaître la bonne méthode de découpe. Appliquer du ruban réflecteur de chaleur comme du ruban d'aluminium Scotch no 425 ou no 427 (non compris) autour de la découpe pour qu'il se plie par dessus la surface et les côtés. Ne pas plier le ruban sous la table de cuisson. S'assurer que le ruban dépasse au-delà du rebord externe de la collerette de la table de cuisson. Tous les coins doivent être couverts de ruban.



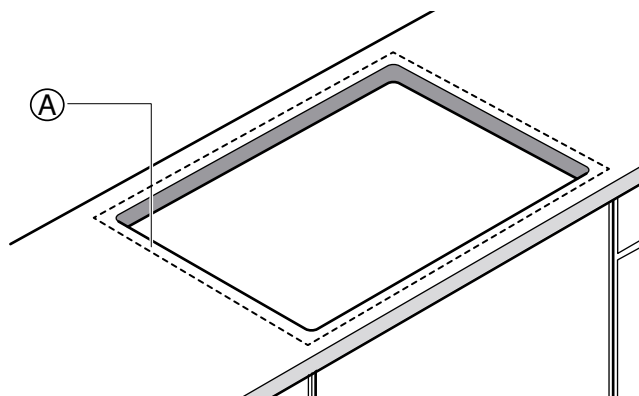
### Découpe de la surface solide du plan de travail

**A** Ruban réflecteur de chaleur

## Sceller la table de cuisson avec le ruban de mousse

**Remarque :** Ne pas installer le ruban de mousse peut influencer le rendement du brûleur.

Appliquer le ruban autocollant de mousse en un rectangle ininterrompu sur le rebord de la découpe dans le plan de travail (sur le périmètre) comme illustré par la ligne pointillée sur l'image ci-dessous. Le ruban de mousse doit être de niveau avec le rebord de la découpe.

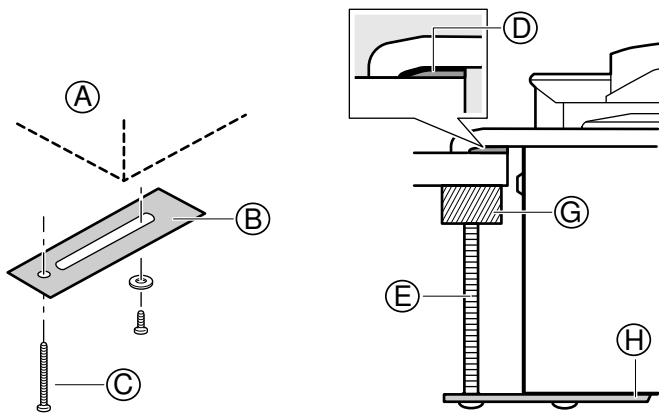


### Placement du ruban de mousse sur le périmètre de la découpe dans le plan de travail

**A** Placement du ruban de mousse

## Installation de la table de cuisson

Insérer la table de cuisson dans la découpe. Fixer les pinces du support de fixation livré avec la table de cuisson. Utiliser la rondelle et les vis fournis.



Régler le support de fixation à la hauteur désirée, et serrer les vis à la table de cuisson. Insérer les vis de réglage dans la pince et fixer solidement la table de cuisson au plan de travail.

### Fixation des supports

<b>A</b>	Table de cuisson
<b>B/H</b>	Support de retenue
<b>C/E</b>	Vis de réglage
<b>D</b>	Ruban de mousse (scellé)
<b>G</b>	Bloc de bois (à utiliser avec le matériau de la surface solide)

**Remarque :** Installation sur une surface solide :

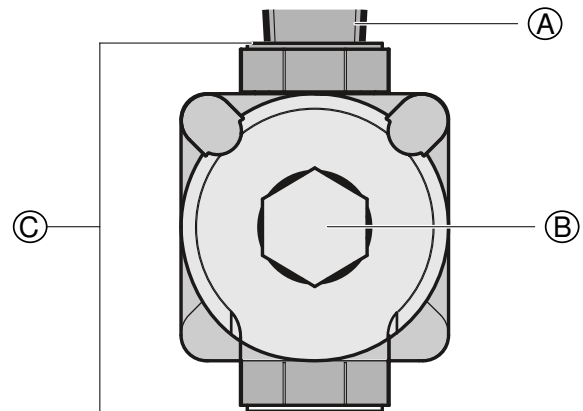
- Insérer un bloc de bois entre l'extrémité de la vis et le dessous du plan de travail.
- Ne pas trop serrer la vis de réglage.
- Couper l'excès de ruban d'aluminium autour de la collerette de la table de cuisson.

**Conseil :** Installer le support de retenue sans la vis de réglage. Tourner le support de retenue pour qu'il soit de niveau avec les côtés de la découpe. Cela aidera à la pose de la table des cuisson dans des espaces difficiles à atteindre.

## Branchement du gaz

L'admission de gaz de l'appareil est située à droite, à l'arrière de la table de cuisson.

Installer le régulateur de pression (fourni avec cet appareil) au tuyau collecteur avec du ruban teflon sur les filets du tuyau collecteur. Serrer à la main puis tourner 1/4 de tour de plus sans excéder 1 tour, pour l'alignement. Pour éviter d'endommager le régulateur de pression de gaz, l'installer après avoir mis la table de cuisson dans sa position permanente. Une fois le régulateur solidement installé sur le tuyau collecteur, il sera facile d'accéder à l'écrou de conversion.



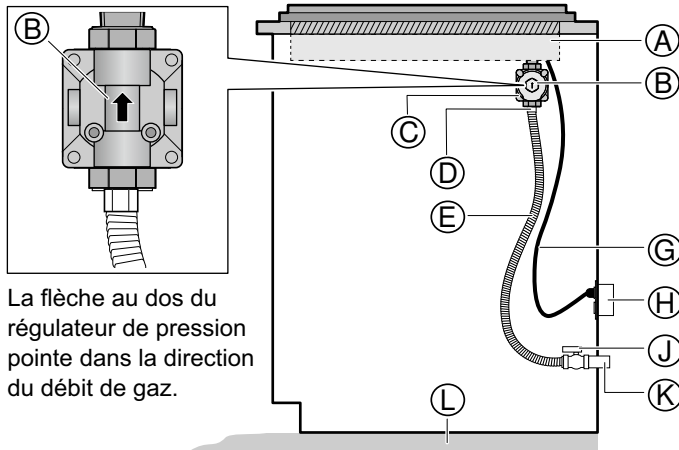
### Régulateur de pression

<b>A</b>	Tuyau collecteur
<b>B</b>	Écrou de conversion
<b>C</b>	Régulateur de pression

### ▲ AVERTISSEMENT

Ne pas essayer d'ajuster le régulateur de pression à moins de convertir l'appareil électroménager au propane. Les réglages peuvent entraîner des fuites ou une mauvaise pression en direction de l'appareil électroménager.

## Vue latérale de l'installation de la table de cuisson au gaz



### Emplacement du gaz et de l'électricité

<b>A</b>	Boîtier de la robinetterie brute de la table de cuisson
<b>B</b>	Flèche sur le régulateur de pression
<b>C</b>	Régulateur de pression
<b>D</b>	Tuyau de 1/2 po à filets femelles
<b>E</b>	Conduite de gaz souple
<b>G</b>	Cordon d'alimentation (60 po/1 524 mm)
<b>H</b>	Prise de 120 volts
<b>J</b>	Robinet d'arrêt du gaz
<b>K</b>	Embout pour la conduite d'alimentation en gaz
<b>L</b>	Plancher

Raccorder la conduite d'alimentation en gaz au régulateur de pression de l'appareil avec un connecteur souple de gaz de 1/2 po entre le robinet d'arrêt manuel et le régulateur de pression. Toujours utiliser une conduite souple neuve.

Vérifier la présence de fuites des conduites d'alimentation au moyen d'une solution savonneuse ou d'un liquide de détection de fuites non corrosif. Ne jamais utiliser une flamme sans égard au type de flamme.

1. Ouvrir le gaz.
2. Appliquer une solution savonneuse ou un liquide de détection de fuites non corrosif à toutes les jonctions et tous les raccords des conduites de gaz entre le robinet d'arrêt et la table de cuisson. Inclure les raccords et les jonctions de gaz de la table de cuisson si les raccords auraient pu être déréglés au cours de l'installation. Une bulle qui apparaît autour d'un raccordement indique une fuite.
3. En présence d'une fuite, couper l'alimentation en gaz en fermant le robinet d'arrêt et serrer le ou les raccords qui fuient.

4. Tester de nouveau la présence de fuites en ouvrant le robinet d'arrêt de l'alimentation de gaz. Quand aucune bulle n'apparaît, le test de fuite est terminé.
5. Essuyer tout résidu de la solution savonneuse ou du liquide de détection de fuite.

Remarques importantes pour les raccords de gaz :

- L'appareil et son propre robinet d'arrêt doivent être déconnectés de la canalisation du système d'alimentation en gaz au cours de tests de pression de ce système aux pressions qui dépassent 1/2 PSI (3,5 kPa).
- L'appareil électroménager doit être isolé de la canalisation du système d'alimentation en gaz en fermant son propre robinet d'arrêt manuel pour tout test de pression de la canalisation du système d'alimentation en gaz à des pressions égales ou inférieures à 1/2 PSI (3,5 kPa).

### Brancher l'alimentation électrique

Avant de raccorder le cordon d'alimentation de 5 pi (1,5 m) à une prise murale, s'assurer que le robinet d'arrêt et toutes les commandes de brûleur sont en position fermée.

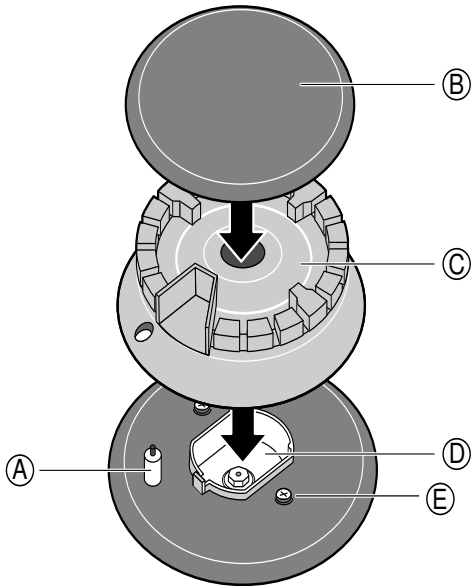
### Positionnement du chapeau et de la base du brûleur

#### ▲ AVERTISSEMENT

Pour éviter des flambées, ne pas utiliser la table de cuisson sans tous les chapeaux de brûleurs en place et toutes les grilles de brûleur bien positionnées.

#### ▲ AVERTISSEMENT

Pour éviter les brûlures, ne pas toucher aux chapeaux de brûleur ni aux grilles quand ils sont chauds. Éteindre la table de cuisson et permettre le refroidissement complet.

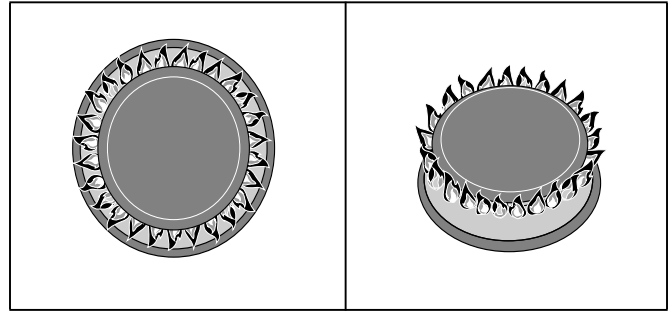


<b>A</b>	Allumeur
<b>B</b>	Chapeau du brûleur
<b>C</b>	Base du brûleur
<b>D</b>	Porte-injecteur
<b>E</b>	Vis à tête cylindrique large

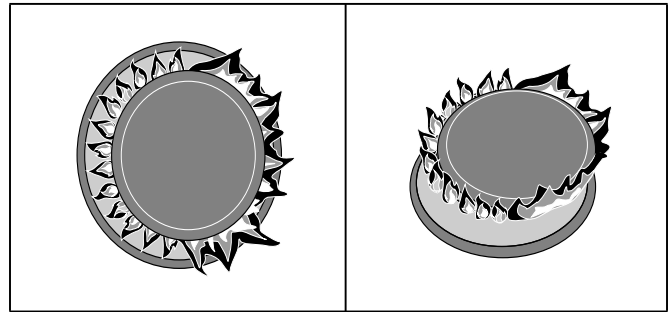
Il faut que les chapeaux de brûleurs soient correctement positionnés pour le bon fonctionnement de la table de cuisson. Un ou plusieurs problèmes suivants peuvent survenir si un chapeau de brûleur n'est pas bien positionné :

- La flamme du brûleur est trop élevée.
- La flamme du brûleur se propage trop loin sur les côtés.
- L'acier inoxydable se décolore.
- Les brûleurs ne s'allument pas.
- La flamme du brûleur n'est pas uniforme.
- Une odeur de gaz se dégage du brûleur.

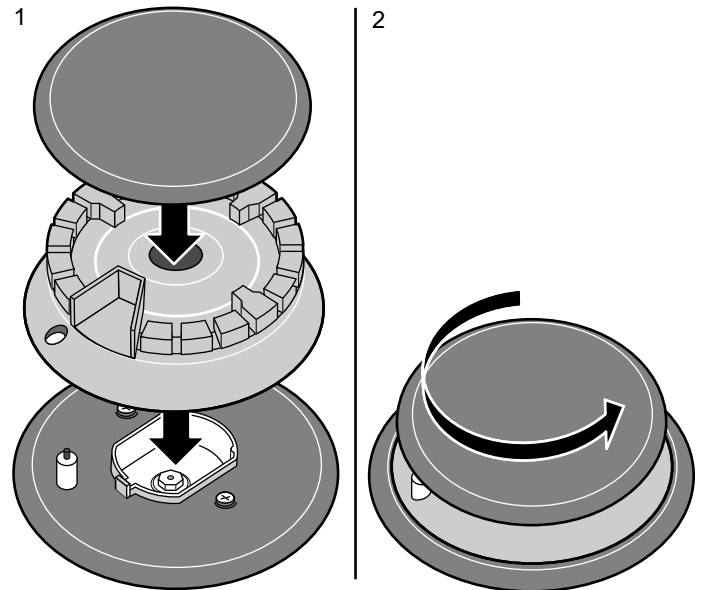
### Positionnement correct du chapeau du brûleur



### Positionnement incorrect du chapeau du brûleur

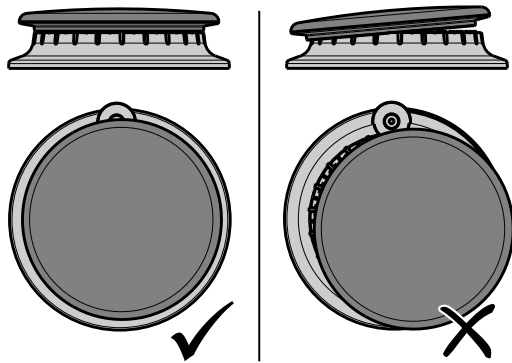


### Positionnement du chapeau et de la base du brûleur



- Après avoir terminé le raccordement électrique, déposer chaque base de brûleur à l'endroit correspondant sur la table de cuisson.
- Faire très attention de ne pas endommager l'allumeur lors de l'installation de la base.
- Le petit trou ou la petite découpe près du rebord doit aussi être aligné(e) avec l'allumeur.
- Une fois toutes les bases de brûleur installées et bien appuyées, placer les chapeaux de brûleur sur la base correspondante.

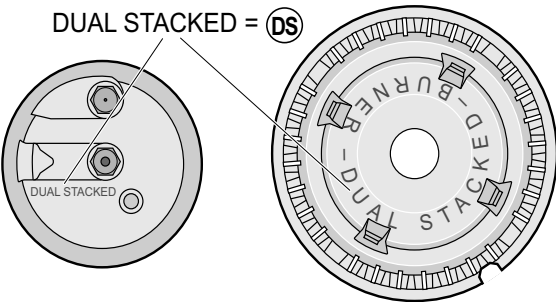
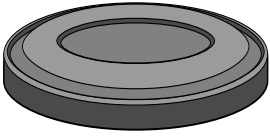
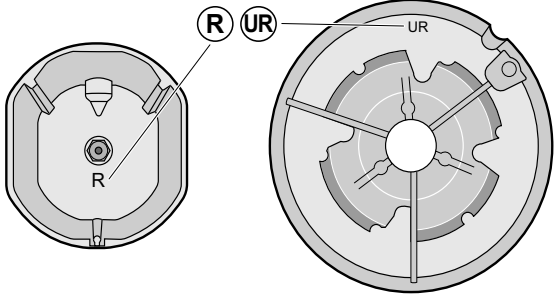
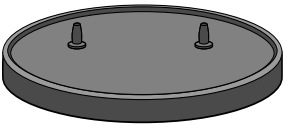
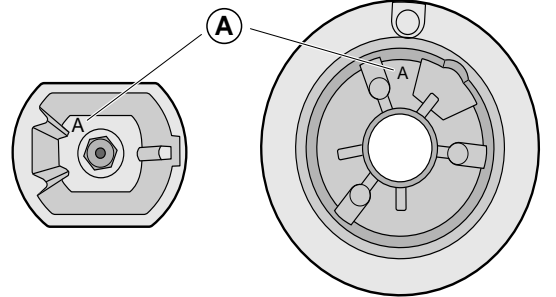
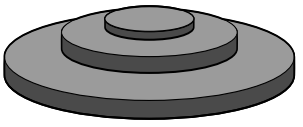
- Déposer délicatement le chapeau de brûleur sur le dessus de la base de sorte que les pattes de la base soient bien ajustées dans la goulotte du chapeau du brûleur.
- S'assurer que le chapeau soit centré sur la base et bien à plat. Il ne doit y avoir aucun espace entre la base et le chapeau de brûleur.



- Essayer de bouger délicatement le chapeau du brûleur pour vérifier s'il est correctement positionné. Si tel est le cas, un clic se fera entendre lorsque les pattes du chapeau frapperont la saillie de la goulotte de la face inférieure du chapeau.
- Si un installateur certifié retire la table de travail (par exemple pour vérifier le raccordement électrique ou les conduites), il faut réinsérer les vis à tête cylindrique large pour assurer le bon fonctionnement des brûleurs.

#### Positionnement correct du chapeau et de la base du brûleur

Base de brûleur et porte-injecteur correspondants	Dimensions du chapeau de brûleur	Chapeau de brûleur correspondant
	3 15/16 po (100 mm)	
	2 15/16 po (75 mm)	
	2 3/16 po (55 mm)	

 <p>DUAL STACKED = DS</p> <p>DUAL STACKED</p> <p>BURNER-DUAL STACKED</p>	<p><b>3 7/8 po (98,5 mm)</b></p>	
 <p>R UR</p> <p>R</p> <p>UR</p>	<p><b>4 1/2 po (116 mm)</b></p>	
 <p>A</p> <p>A</p>	<p><b>3 3/4 po (95 mm)</b> <b>Chapeau OptiSim® de brûleur</b></p>	

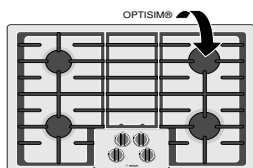
- Des lettres sont inscrites sur le porte-injecteur et la base de brûleur. Elles correspondent pour assurer le bon positionnement sur la base.
- Elles sont inscrites à l'intérieur de la face inférieure du porte-injecteur et au bas de la base du brûleur.

<notes> NoLang

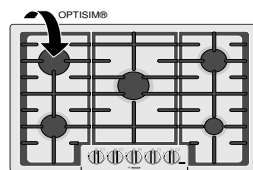
- La table de cuisson est livrée avec un chapeau de brûleur supplémentaire.
- Le chapeau de brûleur A/A est réservé pour un brûleur auxiliaire. Le chapeau de brûleur OptiSim® peut le remplacer. Consultez les directives dans la section **Positionnement du chapeau OptiSim® sur le brûleur** pour connaître le bon emplacement et les directives d'installation.

OptiSim® a été conçu pour fonctionner sur le petit brûleur à l'arrière de la table de cuisson et est utilisé pour optimiser le mijotage de sauces délicates tout en minimisant le risque de les brûler.

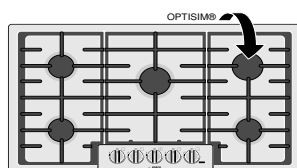
### Positionnement du chapeau OptiSim® sur le brûleur Modèle de 30 po à 4 brûleurs



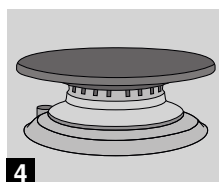
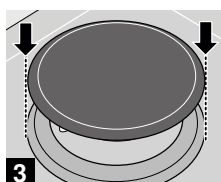
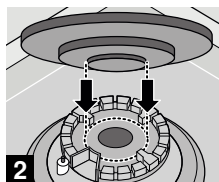
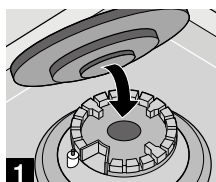
### Modèle de 30 po à 5 brûleurs



### Modèle de 36 po à 5 brûleurs



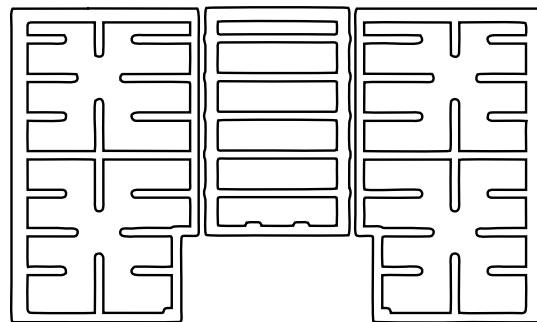
### Installation du chapeau OptiSim® sur le brûleur



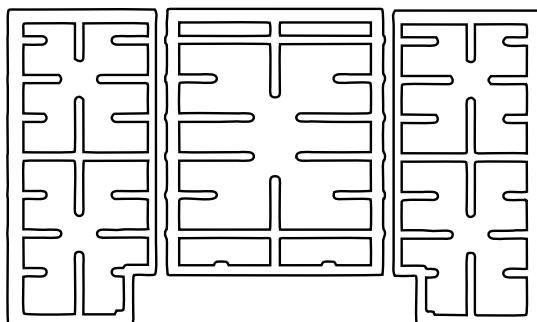
Lorsque correctement installé, le chapeau dépassera la base du brûleur et la surface relevée.

## Installation des grilles du brûleur

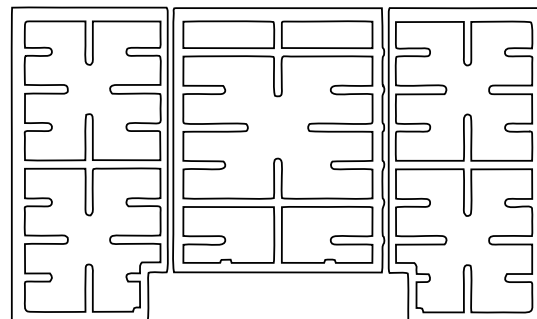
Positionner et installer correctement la grille de chaque brûleur comme illustré ci-dessous.



### Modèle de 30 po à 4 brûleurs



### Modèle de 30 po à 5 brûleurs



### Modèle de 36 po à 5 brûleurs

#### ▲ AVERTISSEMENT

Pour éviter des flambées, toutes les grilles doivent être bien positionnées sur la table de cuisson à chaque utilisation pour bien soutenir les casseroles et éviter les éclaboussures. Chacun des quatre pieds doit s'appuyer dans les petites dépressions correspondantes de la table de cuisson. Ne pas utiliser une grille si les pieds de caoutchouc sont manquants ou endommagés.

#### Pour remplacer les pieds de caoutchouc :

Communiquer avec le Service après-vente au 1-800-944-2904.

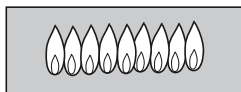
## Vérification de l'installation

Insérer chaque chapeau de brûleur du bon diamètre en place sur la rainure et vérifier le fonctionnement des allumeurs électriques. Vérifier les caractéristiques de la flamme. La flamme doit être bleue avec une toute petite extrémité jaune sur le cône extérieur des flammes.

### Vérification des caractéristiques de la flamme

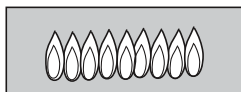
#### Flammes jaunes :

Réglages supplémentaires requis.



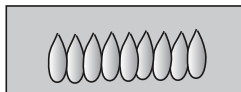
#### Extrémités des cônes externes jaunes :

Normales pour un gaz de pétrole liquéfié



#### Flammes bleues douces :

Normales pour le gaz naturel



---

**Remarque :** Si la flamme est entièrement ou presque toute jaune, vérifier si le régulateur est réglé au bon combustible. Après le réglage, procéder à un nouveau test.

Au cours du démarrage initial, il est normal que la flamme soit bigarrée de jaune. Laisser l'appareil fonctionner de quatre à cinq minutes puis réévaluer avant de procéder aux réglages.



# Dépannage

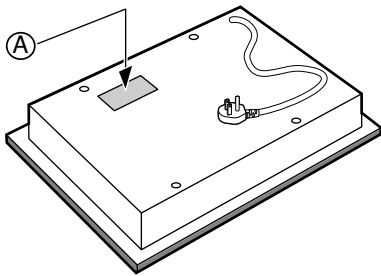
## Avant d'appeler le service de dépannage

Si les allumeurs ne produisent pas d'étincelles ou que les témoins ne s'allument pas (offerts sur certains modèles), vérifier la source d'alimentation électrique à la recherche d'un fusible grillé ou d'un disjoncteur actionné.

Consultez l'énoncé de garantie limitée dans le Manuel d'utilisation et d'entretien. Consultez le Manuel d'utilisation et d'entretien pour les renseignements de dépannage.

## Plaque signalétique du produit

La plaque signalétique comporte le numéro de modèle et le numéro FD (numéro de production/code unique d'identification) de la table de cuisson. Elle est située sur le dessous de la table de cuisson.



## Emplacement de la plaque signalétique

A Plaque signalétique

## Numéro de modèle et numéro FD

Le numéro de modèle et le numéro FD de l'électroménager figurent sur la plaque signalétique. Prendre ces numéros en note dans l'espace ci-dessous pour sauver du temps, au cas où l'électroménager aurait besoin d'être réparé.

No de modèle	No FD
Service après-vente de Bosch	800-944-2904

Conservez votre facture ou votre contrat aux fins de validation de garantie si jamais vous avez besoin d'une réparation.

# Contenido

<b>▲ Definiciones de seguridad</b> .....	<b>35</b>	Información general .....	39
<b>INSTRUCCIONES DE SEGURIDAD</b>		Preparación .....	39
<b>IMPORTANTES</b> .....	<b>36</b>	<b>Procedimiento de instalación</b> .....	<b>42</b>
Seguridad para aparatos de gas .....	36	Preparar la cubierta .....	42
.....	37	Sellar la placa de cocción con cinta de espuma .....	42
Instalación con gas propano .....	37	Instalar la placa de cocción .....	43
Requisitos de seguridad del equipo y el uso .....	37	Conectar el suministro de gas .....	43
Seguridad de manejo del electrodoméstico .....	38	Conexión de la alimentación eléctrica .....	44
Códigos y normas de seguridad .....	38	Colocación de las tapas y las bases de los quemadores .....	44
Advertencia en virtud de la Proposición 65 del estado de California: .....	38	Colocar las rejillas de los quemadores .....	48
Seguridad con la electricidad .....	38	Pruebe la instalación .....	49
Instalación a gran altitud .....	38	<b>Servicio técnico</b> .....	<b>50</b>
<b>Antes de empezar</b> .....	<b>39</b>	Antes de llamar al servicio técnico .....	50
Herramientas y piezas necesarias .....	39		
Piezas incluidas .....	39		

Este electrodoméstico de Bosch es hecho por  
BSH Home Appliances Corporation  
1901 Main Street, Suite 600  
Irvine, CA 92614

¿Preguntas?

1-800-944-2904

[www.bosch-home.com/us](http://www.bosch-home.com/us)

¡Esperamos oír de usted!

---

## Definiciones de seguridad

---

### **ADVERTENCIA**

Esto indica que pueden producirse heridas graves o incluso la muerte si no se cumple con esta advertencia.

---

---

### **ATENCION**

Esto indica que pueden producirse heridas leves o moderadas si no se cumple con esta advertencia.

---

**AVISO:** Esto indica que pueden producirse daños en el aparato o en los bienes si no se cumple con este aviso.

**Nota:** Esto alerta sobre información o sugerencias importantes.

# **⚠ INSTRUCCIONES DE SEGURIDAD IMPORTANTES**

LEA Y CONSERVE ESTAS INSTRUCCIONES

## **Seguridad para aparatos de gas**

**⚠ ADVERTENCIA:** Si la información en estas instrucciones no se sigue con precisión, se puede producir un incendio o una explosión ocasionando daños a la propiedad, lesiones a las personas o incluso la muerte.

- No almacene ni use gasolina u otros vapores y líquidos inflamables en la proximidad de este aparato o cualquier otro.
- **QUÉ HACER SI DETECTA OLOR A GAS**
  - No trate de encender ningún aparato.
  - No toque ningún interruptor eléctrico.
  - No utilice ningún teléfono en su edificio.
  - Llame inmediatamente a su proveedor de gas desde un teléfono vecino. Siga las instrucciones del proveedor de gas.
  - Si no puede contactar a su proveedor de gas, comuníquese con el departamento de bomberos.
- La instalación y el servicio deben ser llevados a cabo por un instalador calificado, agencia de servicio o el proveedor de gas.

### **⚠ ADVERTENCIA:**

No operar nunca la zona de cocción de la superficie de este electrodoméstico sin supervisión.

- Si no se observa esta advertencia, se podría producir una explosión o un riesgo de quemaduras que podría dar lugar a daños materiales, personales o incluso la muerte.
- Si ocurriera un incendio, mantenerse alejado del aparato y ponerse en contacto de inmediato con los bomberos.

**NO INTENTAR EXTINGUIR CON AGUA**

**UN INCENDIO CAUSADO POR ACEITE/GRASA**

# INSTRUCCIONES DE SEGURIDAD IMPORTANTES

## LEA Y CONSERVE ESTAS INSTRUCCIONES

**IMPORTANTE:** CONSERVAR ESTAS INSTRUCCIONES PARA QUE LAS USE EL INSPECTOR DE ELECTRICIDAD LOCAL.

**INSTALADOR:** DEJAR ESTAS INSTRUCCIONES JUNTO A LA UNIDAD PARA EL PROPIETARIO.

**PROPIETARIO:** CONSERVAR ESTAS INSTRUCCIONES PARA REFERENCIA FUTURA.

---

### ADVERTENCIA

---

Su nuevo electrodoméstico ha sido diseñado para ser seguro y confiable si recibe el cuidado adecuado. Leer atentamente todas las instrucciones antes de usarlo. Estas precauciones reducirán el riesgo de quemaduras, descarga eléctrica, incendio y heridas a personas. A la hora de utilizar electrodomésticos de cocina se deben tomar precauciones de seguridad básicas, incluidas las que se encuentran en las páginas siguientes.

---

---

### ADVERTENCIA

---

No reparar, reemplazar ni retirar ninguna pieza del aparato a menos que se recomiende específicamente en los manuales. La instalación, el servicio técnico o el mantenimiento incorrectos pueden causar lesiones o daños materiales. Consultar este manual como guía. Cualquier otra labor de mantenimiento debe de ser efectuada por una agencia de mantenimiento autorizada.

---

- Instalar una llave de cierre de gas cerca del electrodoméstico. Tiene que de ser de fácil acceso a ella en caso de emergencia.
- El instalador debe realizar una prueba de fugas de forma de acuerdo con las instrucciones de este manual.
- El electrodoméstico y su llave de cierre individual deben estar desconectados del sistema de tuberías de suministro de gas durante cualquier prueba de presión con presiones superiores a 1/2 psi (3.5 kPa).
- El electrodoméstico debe aislarse del sistema de tuberías de suministro de gas cerrando su llave de cierre individual manual durante cualquier prueba de presión del sistema de tuberías de suministro de gas con presiones iguales o inferiores a 1/2 psi (3.5 kPa).
- La presión de suministro mínima debe ser 1" de columna de agua superior a la presión del colector, impresa en la placa de características.
- La presión de suministro máxima no debe ser superior a 14.0 pulgadas de columna de agua (34.9 milibares).

- Para instalaciones en Massachusetts:
  - La instalación debe hacerla un contratista, plomero o instalador de gas calificado o con licencia del estado, provincia o región donde se vaya a instalar este electrodoméstico.
  - La llave de cierre tiene que ser una llave de gas en T.
  - El conector de gas flexible debe de ser nuevo y de una longitud no superior a 36 pulgadas.
- Instalador: mostrar al propietario dónde está situada la llave de cierre del gas.

### Instalación con gas propano

- El tanque de gas propano debe estar equipado con su propio regulador de alta presión. Además, también se debe utilizar el regulador suministrado con esta unidad.
- El electrodoméstico se envía desde la fábrica para su uso con gas natural. Tiene que adaptarse para poder utilizarse con gas propano. Esta adaptación tiene que realizarla un técnico o instalador calificado.

### Requisitos de seguridad del equipo y el uso

- La placa de cocción debe de utilizarse junto con un sistema de ventilación adecuado.
- Retirar toda la cinta y el embalaje antes de usar el electrodoméstico. Destruir el embalaje después de desembalar el electrodoméstico. No dejar nunca que los niños jueguen con el material de embalaje.
- No modificar ni alterar la estructura del electrodoméstico. Por ejemplo, no retirar los paneles, las cubiertas para cables ni los tornillos.
- Para eliminar el riesgo de sufrir quemaduras o que se produzca un incendio al alcanzar las unidades cuya superficie esté caliente, se deberá evitar colocar gabinetes de almacenamiento encima de las unidades de la superficie. Si va a haber gabinetes de almacenamiento, el riesgo puede reducirse colocando una campana que se proyecte horizontalmente como mínimo 5 pulgadas más allá de la base del gabinete.
- Verificar que los gabinetes que se encuentren arriba de la placa de cocción tengan, como máximo, 13 pulgadas (330 mm) de profundidad.

# ⚠ INSTRUCCIONES DE SEGURIDAD IMPORTANTES

## LEA Y CONSERVE ESTAS INSTRUCCIONES

### Seguridad de manejo del electrodoméstico

#### ATENCIÓN



- La unidad es pesada y se requieren al menos dos personas o un equipo adecuado para trasladarla.
- Las superficies ocultas pueden tener bordes filosos. Proceder con cuidado al intentar sujetar el electrodoméstico por la parte trasera o desde abajo.

### Códigos y normas de seguridad

- Este aparato cumple con una o varias de las siguientes normas:  
ANSI Z21.1- • CSA 1.1, para electrodomésticos de cocción con gas
- Es responsabilidad del propietario y del instalador determinar si se aplican otros requisitos o normas en instalaciones específicas.
- La instalación debe realizarse cumpliendo las normas locales o, en ausencia de estas, conforme al *Código Nacional de Combustibles Gaseosos (ANSI Z223.1/ NFPA 54)* o, si se lleva a cabo en Canadá, al *Código de Instalación de Gas Natural y Propano (L.P.) (CSA B149.1)*.
- El electrodoméstico debe conectarse a tierra conforme a la normativa local o, en ausencia de esta, conforme al *Código Eléctrico Nacional (ANSI/NFPA 70)* o al *Código Eléctrico de Canadá (CSA C22.1-02)*.

### Advertencia en virtud de la Proposición 65 del estado de California:

Este producto puede contener un químico que el Estado de California reconoce como potencialmente cancerígeno o causante de daños reproductivos. Por tanto, su producto debe llevar en su embalaje la siguiente etiqueta de conformidad con la legislación de California:

**ADVERTENCIA EN VIRTUD DE LA PROPOSICIÓN 65 DEL ESTADO DE CALIFORNIA:**

⚠ **ADVERTENCIA**

Cáncer y daño reproductivo - [www.P65Warnings.ca.gov](http://www.P65Warnings.ca.gov)

### Seguridad con la electricidad

- Antes de enchufar un cable eléctrico, asegurarse de que todos los controles se encuentren en la posición OFF (apagado).
- Para los electrodomésticos provistos de cable y enchufe, no cortar ni retirar la pata de conexión a tierra. Esta debe estar enchufada en un receptáculo adecuado con conexión a tierra para evitar descargas eléctricas. Si se tienen dudas acerca de si el enchufe de la pared tiene una conexión a tierra adecuada, el cliente debería pedirle a un electricista certificado que lo compruebe.
- El electrodoméstico debe instalarse conforme al Código Eléctrico Nacional o al Código Eléctrico de Canadá. Es necesario que la placa de cocción se instale con un circuito de derivación sin protección GFCI con conexión a tierra.
- Instalador: mostrar al propietario la ubicación del interruptor del circuito o del fusible. Marcarlo para recordar más fácilmente.
- Antes de realizar la instalación, desconectar la alimentación eléctrica en el panel de servicio. Bloquear el panel de servicio para impedir que se conecte accidentalmente la alimentación eléctrica.
- Asegurarse de que el aparato está correctamente instalado y conectado a tierra por un técnico certificado. La instalación, las conexiones eléctricas y la conexión a tierra deben cumplir con todas las normas correspondientes.

### Instalación a gran altitud

Contactar con el Servicio de Asistencia Técnica cuando el electrodoméstico se vaya a utilizar a una altitud superior a 2,000 pies (610 metros).

# Antes de empezar

## Herramientas y piezas necesarias

- Desarmador de cabeza Phillips
- Desarmador de punta plana de precisión
- Medida de cinta
- Cinta de teflón (marcada para gas)
- Llave ajustable o pinzas ajustables

## Piezas incluidas

- Cinta de espuma
- Soportes de montaje (4)
- Tornillos, #10-32 x 2 1/2" (63.8 mm) (4)
- Tornillos para placa, #8 x 3/8" (9.5 mm) (4)
- Rondanas (4)
- Rejillas de los quemadores (3)
- Quemadores
  - Modelos de 30": (4) o (5)
  - Modelos de 36": (5)
- Tapas de los quemadores
  - Modelos de 30": (4) o (5)
  - Modelos de 36": (5)
- Regulador de presión
- Kit de conversión de Gas LP

**Nota:** Si faltan piezas o alguna de ellas está dañada, llamar al número o escribir a la dirección que figuran en la parte interior de la contraportada.

## Información general

### Medidas totales

	Modelos de 30"	Modelos de 36"
Ancho (lado a lado)	31" (788 mm)	37" (940 mm)
Profundidad (parte frontal-posterior)	21 1/4" (540 mm)	21 1/4" (540 mm)
Altura (de arriba abajo)	3 13/16" (97 mm)	3 13/16" (97 mm)

**Nota:** Estas son las medidas totales, NO las del recorte.

## Preparación

### Requisitos eléctricos

---

#### ⚠ ATENCION

---

No utilizar un cable de extensión con la placa de cocción de gas.

---

Este electrodoméstico requiere de una conexión de 120 V CA, 60 Hz, 15 A. Planificar la instalación de tal manera que la conexión a la toma de corriente sea accesible desde la parte frontal del gabinete.

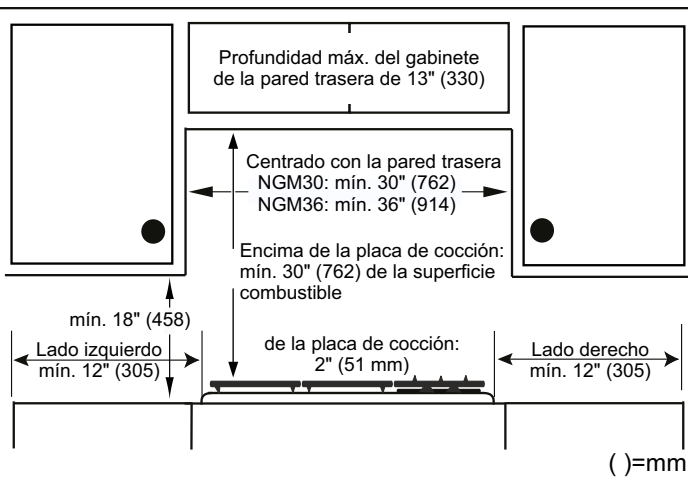
### Requisitos de gas

Presión de suministro:

- **Gas natural:** 7 pulgadas de columna de agua (14.9 milibares)
- **Gas propano:** 11 pulgadas de columna de agua (27.4 milibares)

El tanque de gas propano debe estar equipado con su propio regulador de alta presión, además del regulador de presión incluido con esta unidad. La placa de cocción se envía desde la fábrica para su uso con gas natural. Para utilizarla con gas LP, la conversión tiene que realizarla un técnico o instalador calificado.

## Requisitos del gabinete



- Las instrucciones se basan en gabinetes estándares americanos de 36" (91 cm) de altura y 24" (61 cm) de profundidad, con una cubierta de 25" (63 cm).
- La profundidad máxima de un gabinete instalado por encima de la placa de cocción es de 13" (33 cm).

**Nota:** Todas las medidas dadas deben respetarse con precisión. Si se utilizan gabinetes no estándares, asegurarse de que se instalan con las medidas mínimas mostradas.

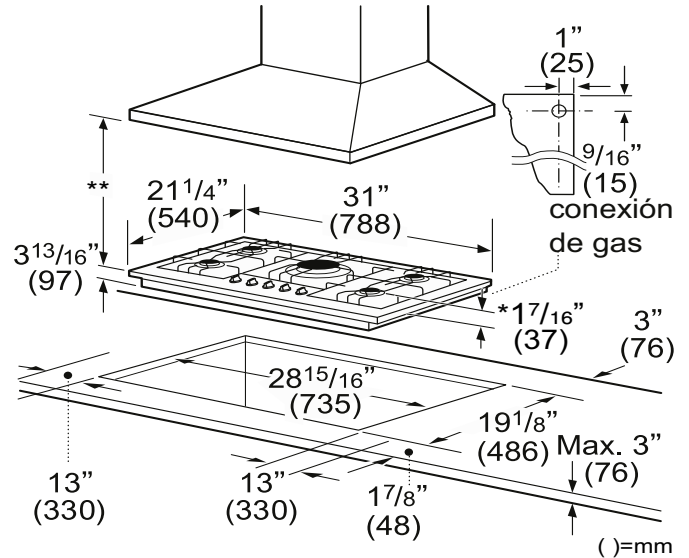
## Conectar

Se debe instalar una llave de cierre manual del gas en la parte externa del aparato en un lugar accesible desde la parte frontal con el fin de cortar el suministro de gas.

- Planificar la instalación de la unidad de tal manera que el cable de alimentación, la llave de cierre de gas y el regulador de presión sean accesibles desde la parte frontal del gabinete.
- La línea de suministro no debe interferir con la parte trasera de la unidad.
- Asegurarse de que el suministro de gas esté cerrado mediante la llave de cierre manual antes de conectar el aparato.

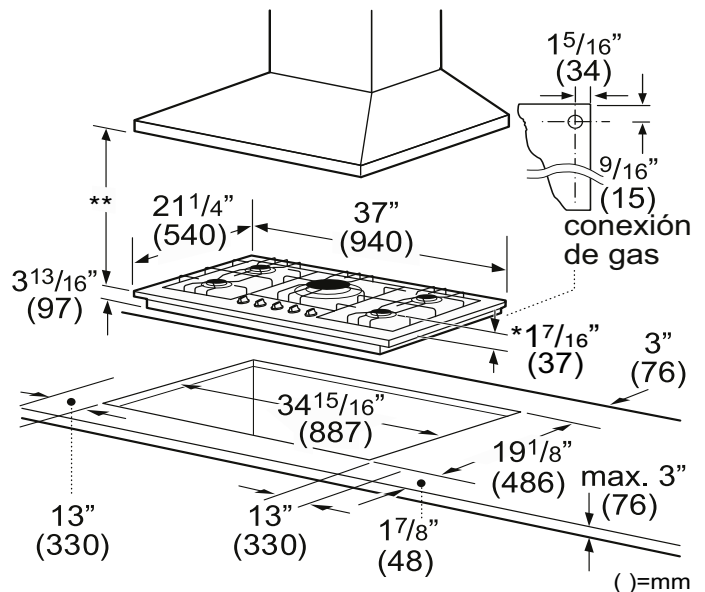
## Requisitos de la cubierta

**Nota:** Todas las medidas dadas deben respetarse con precisión. Si se utilizan gabinetes no estándares, asegurarse de que se instalan con las medidas mínimas mostradas en la imagen siguiente.



- \* Medidas desde la cubierta hasta la parte superior de las rejillas
- \*\* Si el aparato se instala combinado con una campana, consultar los requisitos de instalación del fabricante de la campana.

## Modelos de 30"



- \* Medidas desde la cubierta hasta la parte superior de las rejillas
- \*\* Si el aparato se instala combinado con una campana, consultar los requisitos de instalación del fabricante de la campana.

## Modelos de 36"



## Requisitos de instalación

Usar las placas de sujeción suministradas. Consultar la sección «Instalar la placa de cocción» para obtener más información.

## Requisitos para la ventilación

Recomendamos encarecidamente instalar un sistema de ventilación con el electrodoméstico. El electrodoméstico debe instalarse de acuerdo con las instrucciones facilitadas.

---

### **▲ ATENCION**

---

El electrodoméstico no debe instalarse con un sistema de ventilación que expulse aire hacia abajo, en dirección a los quemadores. Este tipo de ventilación podría causar problemas de ignición y combustión en el electrodoméstico de cocción de gas, con lo que se podrían producir lesiones o manejo involuntario.

---

# Procedimiento de instalación

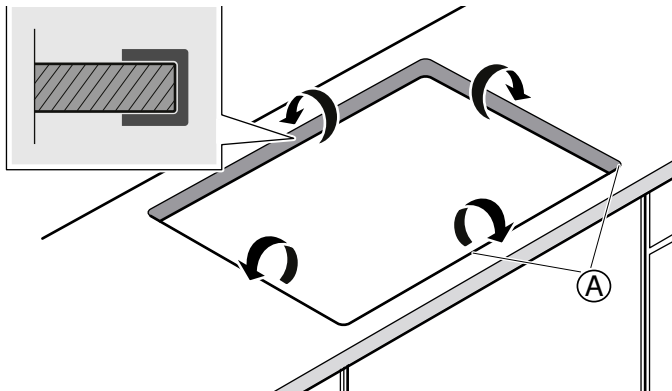
## Preparar la cubierta

### ⚠ ADVERTENCIA

Para evitar el peligro de descarga eléctrica, antes de instalar la placa de cocción, desconectar el suministro eléctrico en el panel de servicio para impedir que se conecte accidentalmente.

Cortar la cubierta de acuerdo a las medidas indicadas en la sección «**Requisitos del gabinete**».

Algunos materiales de superficies sólidas requieren distintos métodos de corte. Consultar al fabricante de la superficie sólida sobre el método de corte correcto. Poner cinta termorreflectante como cinta de aluminio Scotch #425 o #427 (no incluida) alrededor del recorte de modo que se doble sobre la parte superior y los laterales. No envolver la cinta por debajo de la placa de cocción. Asegurarse de que la cinta se extienda más allá del lateral que más sobresalga de la placa de cocción. Todas las esquinas deberían estar cubiertas con cinta.



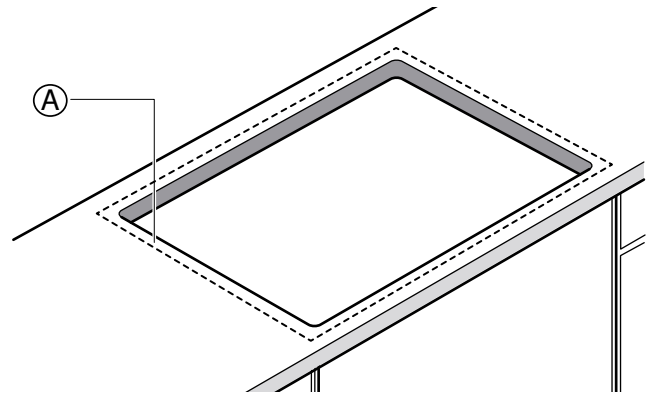
### Corte en cubiertas de superficie sólida

**A** Cinta termorreflectante

## Sellar la placa de cocción con cinta de espuma

**Nota:** Si no se pone cinta de espuma, el rendimiento del quemador podría verse afectado.

Aplicar la cinta adhesiva de espuma en un rectángulo continuo directamente en la cubierta alrededor del perímetro del recorte, tal y como muestra la línea discontinua en la imagen de abajo. La cinta de espuma debería quedar al ras del borde del recorte.

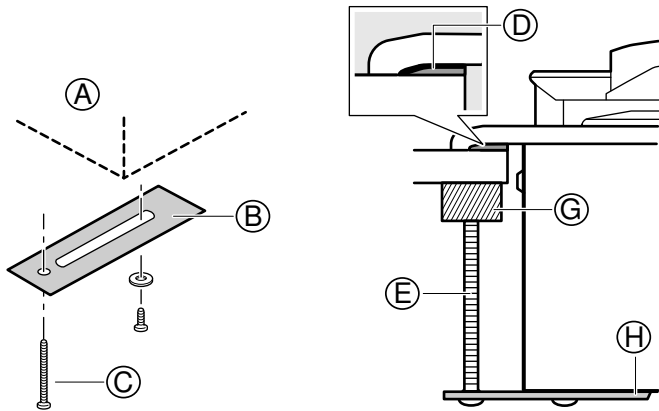


### Colocación de la cinta de espuma: recorte de la cubierta

**A** Colocación de la cinta de espuma

## Instalar la placa de cocción

Insertar la placa de cocción en el recorte. Fijar las sujeciones de las placas de sujeción que vienen con la placa de cocción. Utilizar la rondana y los tornillos provistos.



Ajustar las placas de fijación en la posición deseada y apretar los tornillos a la placa de cocción. Insertar el tornillo de ajuste en la sujeción y fijar la placa de cocción a la cubierta.

### Acoplar las placas de fijación

<b>A</b>	Placa de cocción
<b>B/H</b>	Placa de sujeción
<b>C/E</b>	Tornillo de ajuste
<b>D</b>	Cinta de espuma (sellante)
<b>G</b>	Bloque de madera (que se usará con materiales de superficies sólidas)

**Nota:** Para instalaciones en material de superficies sólidas:

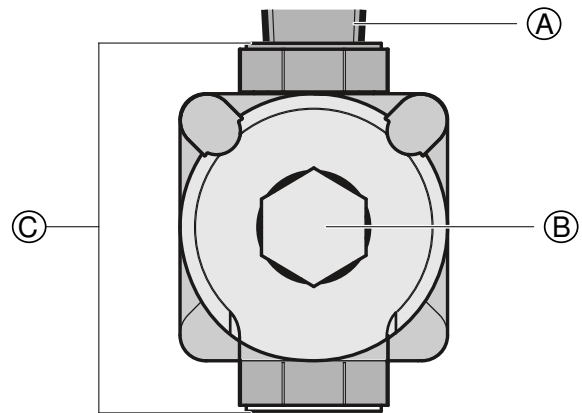
- Insertar un bloque de madera entre el extremo del tornillo y la parte inferior de la cubierta.
- No apretar demasiado el tornillo de ajuste.
- Recortar el exceso de cinta de aluminio en torno al borde de la placa de cocción.

**Consejo:** Instalar la placa de fijación sin el tornillo de ajuste encajado. Girar las placas de sujeción para que queden enrasadas con los lados del recorte. De este modo, será más fácil insertar la placa de cocción en espacios de difícil acceso.

## Conectar el suministro de gas

La entrada de gas de la unidad está situada en la parte posterior derecha de la placa de cocción.

Instalar el regulador de presión (suministrado junto con la unidad) en el tubo colector. Para ello, colocar cinta de teflón en la rosca del tubo. Girar 1/4 de vuelta para apretarlo, sin superar 1 vuelta para la alineación. Para evitar posibles daños en el regulador de presión del gas, instalarlo después de haber colocado la placa de cocción en su posición final. Cuando el regulador esté instalado firmemente en el tubo colector, será fácil acceder a la tuerca de conversión.



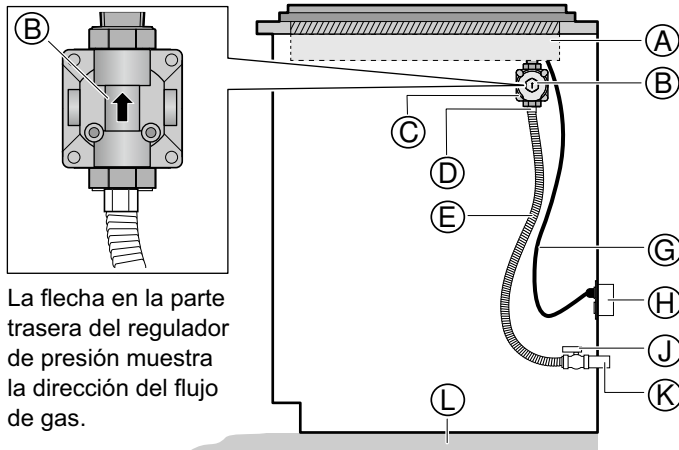
### Regulador de presión

<b>A</b>	Tubo colector
<b>B</b>	Tuerca de conversión
<b>C</b>	Regulador de presión

### ⚠ ADVERTENCIA

No intentar realizar ningún ajuste en el regulador de presión, excepto al realizar la conversión para propano. Los ajustes podrían causar fugas o presión del gas incorrecta en el electrodoméstico.

## Vista lateral de la instalación de la placa de cocción de gas



La flecha en la parte trasera del regulador de presión muestra la dirección del flujo de gas.

### Ubicación de los componentes eléctricos y de gas

<b>A</b>	Caja oculta de la placa de cocción
<b>B</b>	Flecha del regulador de presión
<b>C</b>	Regulador de presión
<b>D</b>	Roscas hembra de 1/2 pulgada
<b>E</b>	Tubo flexible de gas
<b>G</b>	Cable de alimentación (60 pulg./1,524 mm)
<b>H</b>	Tomacorriente de 120 V
<b>J</b>	Llave de cierre de gas
<b>K</b>	Fracción del conducto de suministro de gas
<b>L</b>	Piso

Conectar el tubo de suministro de gas con el regulador de presión mediante un conector de tubo de gas flexible de 1/2 pulgada entre la válvula de cierre manual y el regulador de presión. Siempre utilizar un tubo flexible nuevo.

Comprobar que no haya fugas en las conexiones de los tubos de suministro mediante una solución jabonosa o un fluido de detección de fugas que no sea corrosivo. No utilizar ningún tipo de llama.

1. Abrir el gas.
2. Aplicar una solución jabonosa o un fluido de detección de fugas que no sea corrosivo en todas las juntas y acoplamientos en el suministro de gas entre la llave de cierre y la placa de cocción. Incluir también los acoplamientos y juntas de gas de la placa de cocción si existe la posibilidad de que las conexiones se hayan visto alteradas en el montaje. Si aparecen burbujas en los acoplamientos y conexiones, hay una fuga.
3. Si se detecta una fuga, cerrar la llave de cierre del suministro de gas y apretar las conexiones.

4. Volver a comprobar si hay fugas abriendo la llave. Cuando se finaliza la comprobación de fugas (no aparecen burbujas), la prueba ha terminado.
5. Limpiar con un trapo todos los restos de fluido de detección o solución jabonosa.

Notas importantes acerca del suministro de gas:

- El electrodoméstico y su llave de cierre de gas individual deben de estar desconectados del sistema de tuberías de suministro de gas durante cualquier prueba de presión en ese sistema con presiones superiores a 1/2 psi (3.5 kPa).
- El electrodoméstico debe aislarse del sistema de tuberías de suministro de gas cerrando su llave de cierre individual durante cualquier prueba de presión del sistema de tuberías de suministro de gas con presiones iguales o inferiores a 1/2 psi (3.5 kPa).

### Conexión de la alimentación eléctrica

Antes de conectar el cable de alimentación de 5 pies (1.5 m) a un enchufe de pared, asegurarse de que la llave de cierre del gas y todos los controles los quemadores estén en posición OFF (apagado).

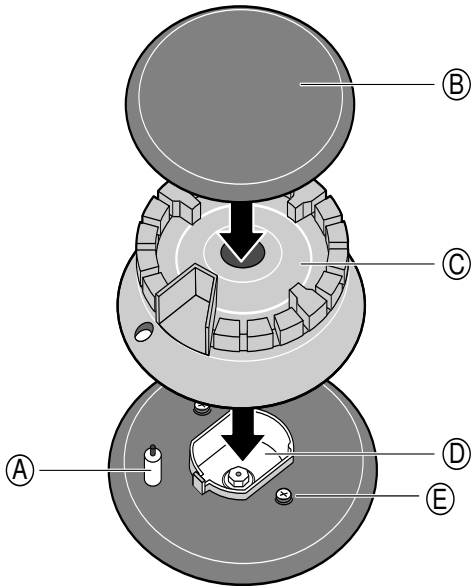
### Colocación de las tapas y las bases de los quemadores

#### ▲ ADVERTENCIA

Para evitar que se produzcan llamaradas, no utilizar la parrilla de gas hasta que todas las tapas de los quemadores y las rejillas estén correctamente colocadas.

#### ▲ ADVERTENCIA

Para evitar quemaduras, no tocar las tapas de los quemadores o las rejillas cuando estén calientes. Apagar la parrilla de gas y dejar que se enfríe por completo.

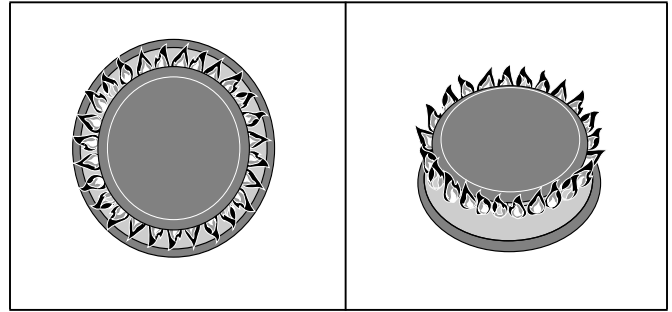


<b>A</b>	Encendedor
<b>B</b>	Tapa del quemador
<b>C</b>	Base del quemador
<b>D</b>	Soporte del mechero
<b>E</b>	Tornillo de cabeza redondeada

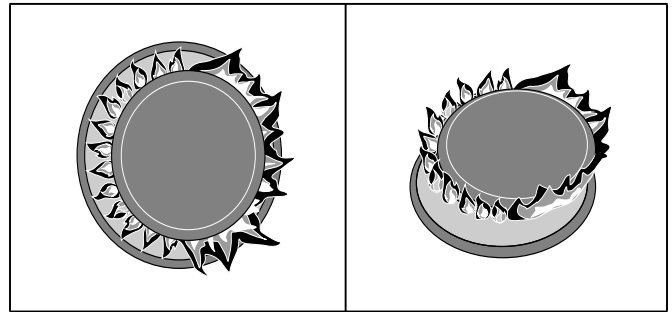
Las tapas de los quemadores deben estar colocadas correctamente para que la parrilla de gas funcione bien. Si la tapa del quemador no está bien colocada, podrían darse uno o varios de los siguientes problemas:

- Las llamas de los quemadores son demasiado altas.
- Las llamas de los quemadores se extienden demasiado hacia los lados.
- El acero inoxidable se decolora.
- Los quemadores no se prenden.
- Las llamas del quemador no son uniformes.
- El quemador desprende olor a gas.

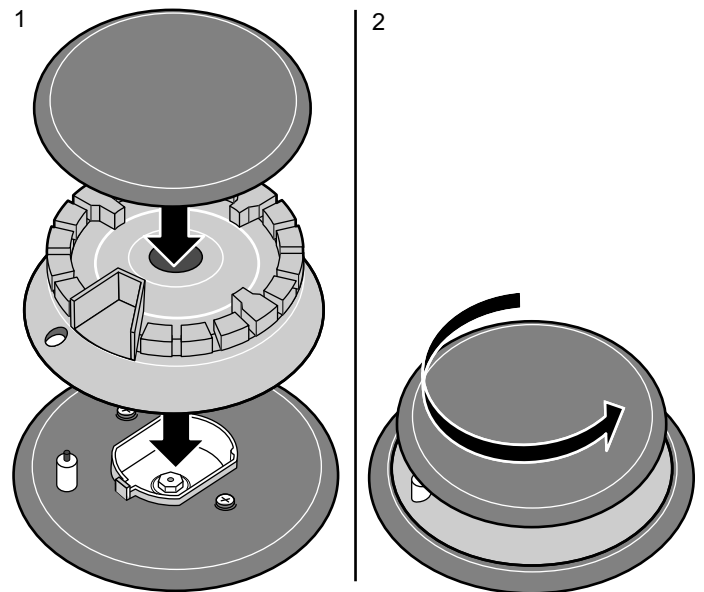
### Colocación correcta de las tapas de los quemadores



### Colocación incorrecta de las tapas de los quemadores

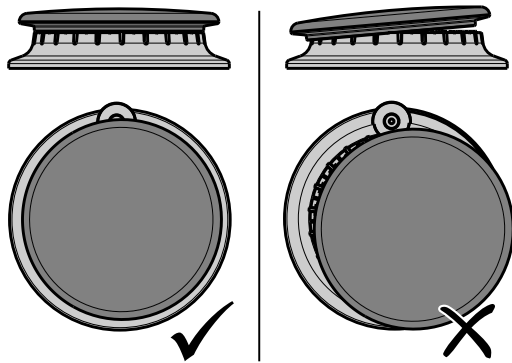


### Colocar las tapas y las bases de los quemadores



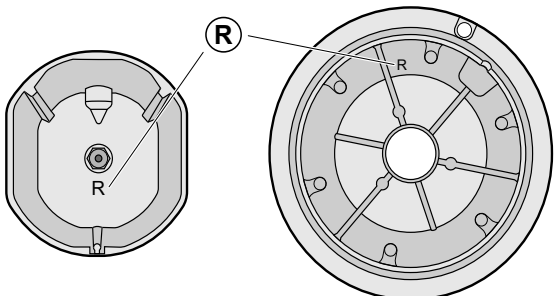
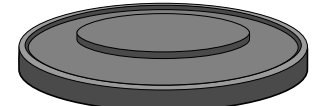
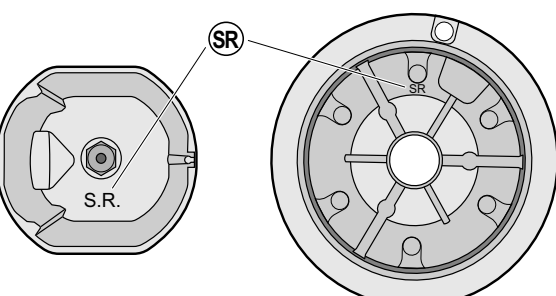
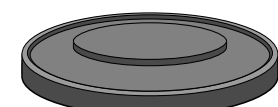
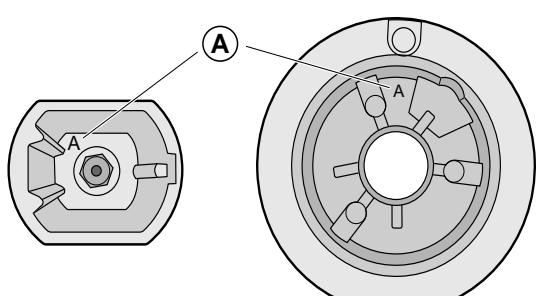
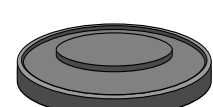
- Después de realizar la conexión eléctrica, colocar cada base de quemador en su lugar correspondiente de la placa de cocción.
- Tener especial cuidado para evitar dañar el dispositivo de ignición al montar la base.
- El pequeño orificio o corte cerca del borde también debería estar alineado con el dispositivo de ignición.
- Una vez que todas las bases de los quemadores estén colocadas y bien apoyadas, poner cada tapa de quemador en su base correspondiente.

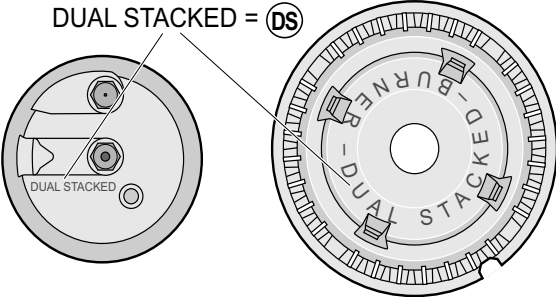

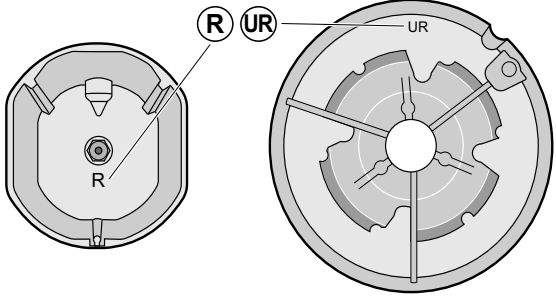
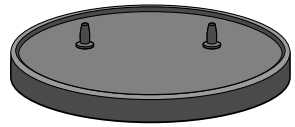
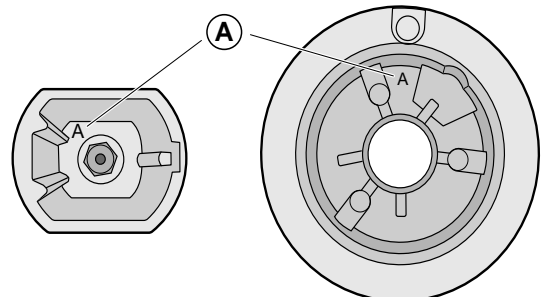
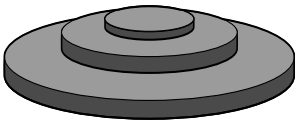
- Colocar las tapas de los quemadores suavemente sobre las bases de modo que los dientes de estas encajen cómodamente en las ranuras de las tapas.
- Asegurarse de que la tapa esté centrada en la base del quemador y quede plana, así como que no haya espacio entre la base del quemador y la tapa del quemador.



- Intentar mover suavemente la tapa del quemador de un lado a otro para comprobar que se ha colocado correctamente. Si se ha colocado correctamente, se escuchará un clic al mover la tapa de lado a lado, ya que las puntas golpean la cresta ranurada de la parte inferior de la tapa.
- Si un instalador certificado retira la cubierta principal (por ejemplo, para comprobar las conexiones eléctricas o las tuberías), los tornillos de cabeza plana que se han extraído deben volver a atornillarse para garantizar el correcto funcionamiento de los quemadores.

**Colocación correcta de las tapas y las bases de los quemadores**

Soporte del mechero y base del quemador correspondientes	Medidas de la tapa del quemador	Tapa del quemador correspondiente
	<p><b>3 15/16" (100 mm)</b></p>	
	<p><b>2 15/16" (75 mm)</b></p>	
	<p><b>2 3/16" (55 mm)</b></p>	

	<p><b>3 7/8" (98.5 mm)</b></p>	
	<p><b>4 1/2" (116 mm)</b></p>	
	<p><b>3 3/4" (95 mm)</b> <b>Tapa del quemador Opti-Sim®</b></p>	

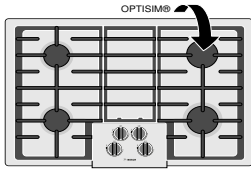
- El soporte del mechero y la base del quemador tienen marcadas las correspondientes letras para garantizar la colocación correcta de la base del quemador.
- Las correspondientes letras se encuentran marcadas en la parte inferior interna del soporte del mechero y en el fondo de la base del quemador.

<notes> NoLang

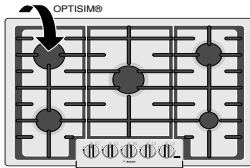
- La placa de cocción incluye una tapa adicional del quemador.
- La tapa del quemador A/A es para un quemador auxiliar. Se puede sustituir por la tapa del quemador OptiSim®. Ver las instrucciones en **OptiSim®, colocar la tapa del quemador** para colocarla e instalarla correctamente.

La función OptiSim® se ha diseñado para trabajar con el quemador pequeño situado en la parte trasera de la placa de cocción y se utiliza para poder hervir a fuego lento las salsas delicadas de forma óptima y minimizar el riesgo de sufrir quemaduras.

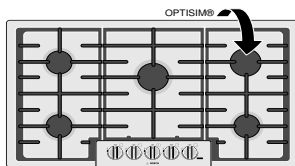
**OptiSim®, colocar la tapa del quemador**  
**30", 4 quemadores**



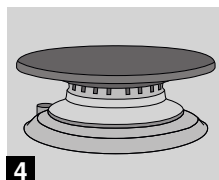
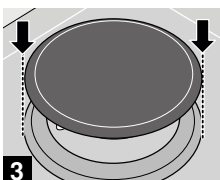
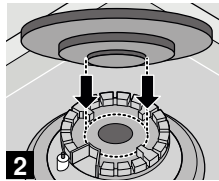
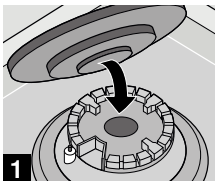
**30", 5 quemadores**



**36", 5 quemadores**



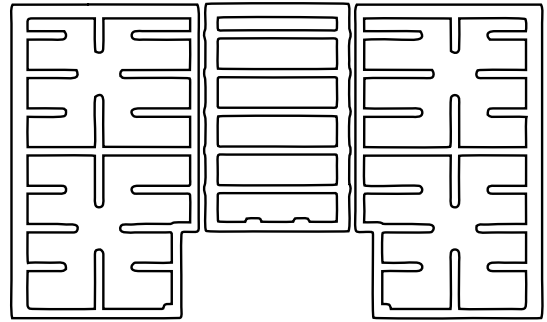
**OptiSim®, instalar la tapa del quemador**



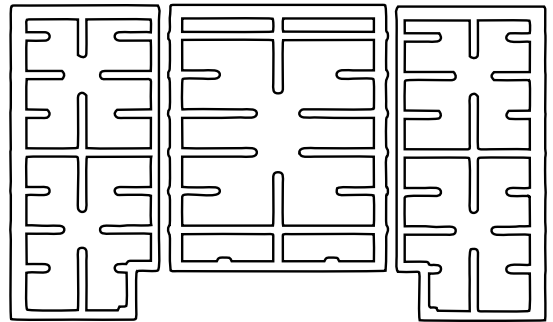
La tapa está correctamente instalada si sobrepasa la base del quemador y queda elevada sobre la superficie.

**Colocar las rejillas de los quemadores**

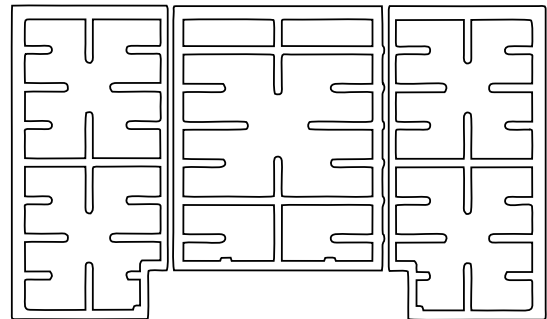
Posicionar y colocar cada rejilla de quemador como se muestra en la ilustración de abajo.



**30", 4 quemadores**



**30", 5 quemadores**



**36", 5 quemadores**

**▲ ADVERTENCIA**

Para evitar que se produzcan llamaradas, apoyar bien los recipientes y evitar derramar alimentos, todas las rejillas deben estar correctamente colocadas en la placa de cocción siempre que esta se utilice. Las cuatro patas deben estar colocadas en las marcas correspondientes de la placa de cocción. No utilizar una rejilla si no tiene las patas de hule o están dañadas.

**Para patas de hule de repuesto:** llamar al Servicio de Asistencia Técnica en el número 1-800-944-2904.



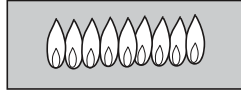
## Pruebe la instalación

Colocar cada tapa de quemador de tamaño correspondiente en su posición asentada y encajada, y comprobar el funcionamiento de los dispositivos de ignición eléctricos. Comprobar las características de la llama. La llama debe ser azul con una mínima punta amarilla en la parte exterior de la llama.

### Comprobar las características de la llama

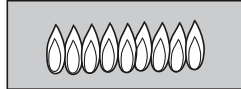
#### Llamas amarillas:

Se necesita un mayor ajuste.



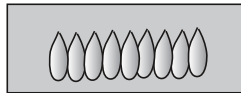
#### Punta amarilla en la parte exterior:

Normal en Gas LP



#### Llamas azul claro:

Normal en gas natural



---

**Nota:** Si la llama es total o principalmente amarilla, comprobar que el regulador esté configurado para el combustible adecuado. Tras el ajuste, volver a comprobar.

Es normal que haya algunas vetas amarillas al inicio. Dejar funcionar durante 4-5 minutos a la unidad y volver a evaluar antes de hacer los ajustes.

# Servicio técnico

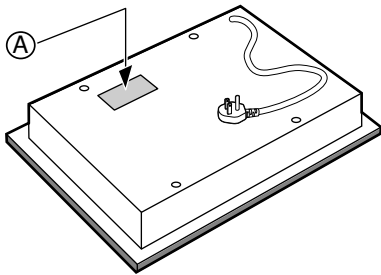
## Antes de llamar al servicio técnico

Si los dispositivos de ignición no producen chispas o las lámparas indicadoras de encendido (disponibles en algunos modelos) no se iluminan, revisar la fuente de energía para comprobar si se ha fundido un fusible o se ha activado el breaker del circuito.

Consultar la declaración de garantía limitada en el Manual de uso y cuidado. Para obtener información sobre solución de problemas consultar el Manual de uso y cuidado.

## Etiqueta de clasificación del producto

La etiqueta de clasificación muestra el número de modelo y el número FD (número de producción/identificador único del producto) de la placa de cocción. Está ubicada en el lado inferior de la placa de cocción.



## Ubicación de la etiqueta de clasificación

A Etiqueta de clasificación

---

## Número de modelo y número FD

El número de modelo y el número FD del electrodoméstico se pueden ver en la etiqueta de clasificación. Apuntar esos números en el espacio para ahorrar tiempo en caso de que el electrodoméstico necesite servicio técnico.

Modelo #	FD #
<hr/>	
Servicio de Asistencia Técnica de Bosch - 800-944-2904	
<hr/>	

Conservar la factura o los documentos de compra que confirmen la validación de la garantía, en caso de que el aparato necesite ser reparado.





**8001269811**

981113



**BOSCH**

Invented for life

1901 Main Street, Suite 600 • Irvine, CA 92614 • 800-944-2904  
[www.bosch-home.com](http://www.bosch-home.com) • © 2022 BSH Home Appliances