



**BOSCH**



**Register** your  
new device on  
MyBosch now and  
get free benefits:  
**[bosch-home.com/  
welcome](https://bosch-home.com/welcome)**

# Styline Filter coffee machine

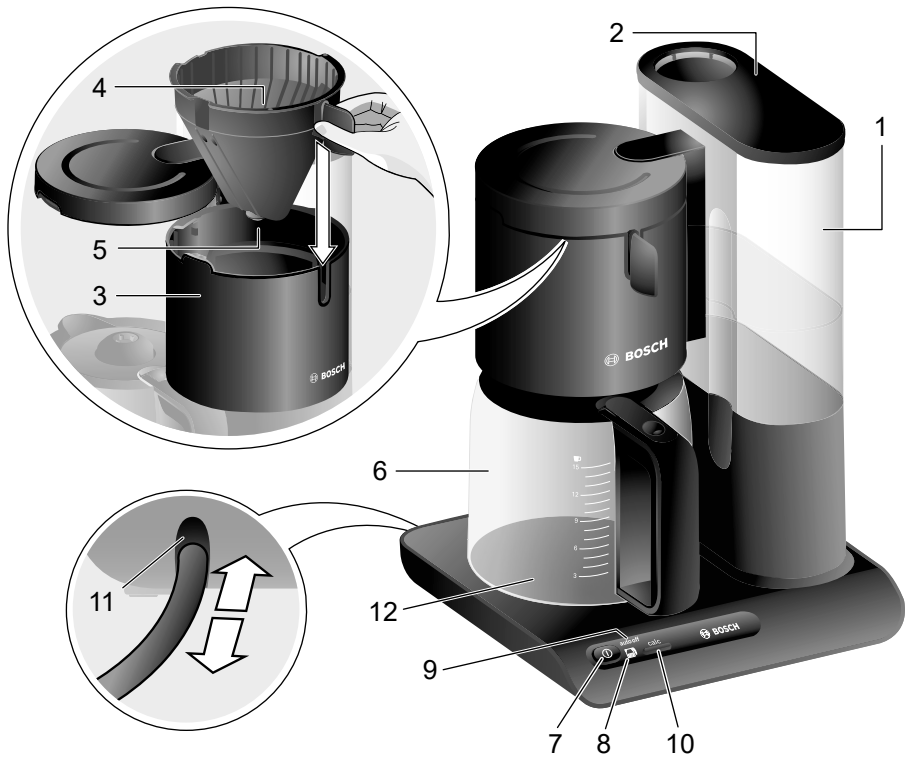
**TKA80..GB**

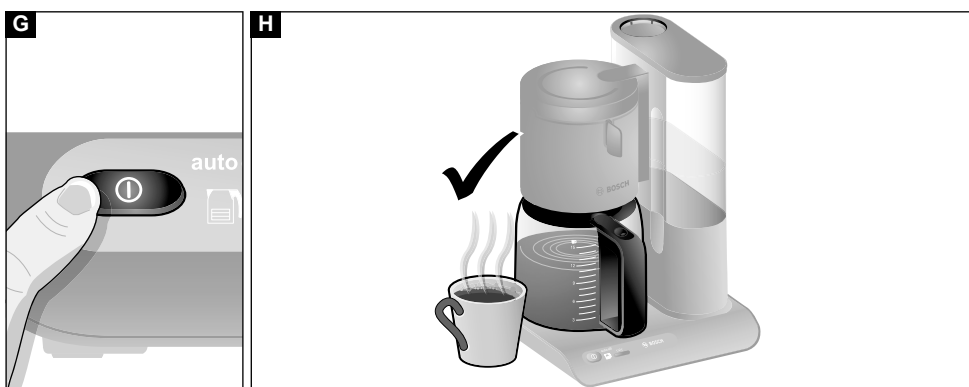
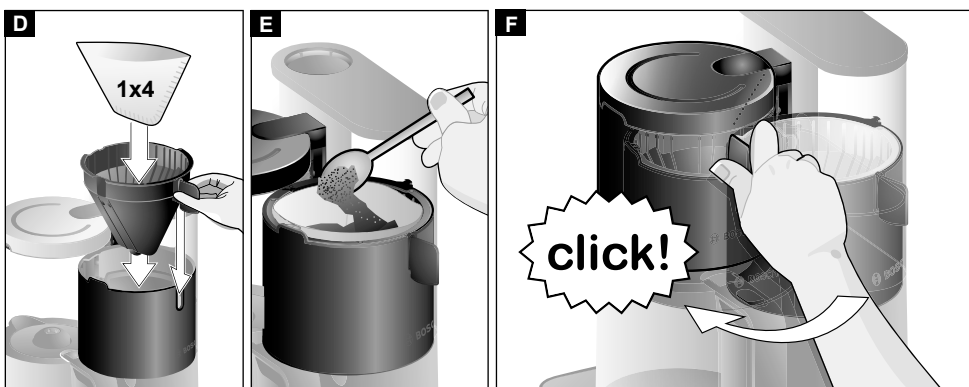
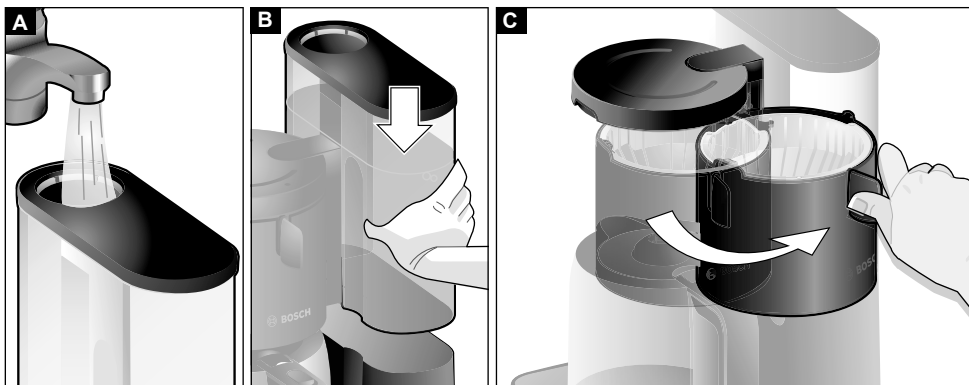
**[en]**

Instruction manual

Filter coffee machine

4





---

## Safety instructions

**Please read and follow the operating instructions carefully and keep them for later reference. Enclose these instructions when you give this appliance to someone else. This appliance is intended for domestic use only.**

### **⚠ Danger of electric shock!**

Only use the appliance indoors at room temperature and up to 2000 m above sea level. The appliance may only be connected to a power supply with alternating current via a correctly installed socket with earthing. Ensure that the protective conductor system of the domestic supply has been correctly installed.

Connect and operate the appliance only according to the type plate specifications. To avoid potential hazards, repairs such as replacing a damaged cable must only be carried out by our customer service personnel.

This appliance can be used by children aged from 8 years and above and by persons with reduced physical, sensory or mental capabilities or lack of experience and knowledge if they have been given supervision or instruction concerning use of the appliance in a safe way and if they understand the hazards involved. Keep children under 8 years of age away from the appliance and connecting cable and do not allow them to use the appliance. Children shall not play with the appliance. Cleaning and user maintenance shall not be made by children unless they are older than 8 years and supervised.

Avoid spillage on the connector.

Never immerse the appliance or mains cable in water.

Never leave the appliance unattended while it is switched on!

Use only if power cord and appliance show no signs of damage.

Should a fault occur, pull the plug or disconnect from the mains immediately.

### **Risk of burns and fire!**

A misuse of the appliance can potentially lead to injury. During operation of the appliance the temperature of exposed surfaces may become very high. During operation only grasp the parts of the appliance and the glass jug by the handles provided.

Do not place the appliance on or near hot surfaces, e.g. hobs. Avoid splatters of grease as the plastic may be damaged.

Never cover the parking zone for the jug. After the use the heating element surfaces and warming plate can be subjected to residual heat.

The appliance gets hot. Never operate the appliance in a cupboard.

### **Risk of suffocation!**



Do not allow children to play with packaging material.

### **Caution! Cleaning surfaces which come into contact with foodstuffs!**


Please note the special information on cleaning in the instructions.

**Congratulations on purchasing this Bosch appliance. You have acquired a high-quality product that will bring you a lot of enjoyment.**

## **Parts and operating controls**

- 1 Water tank with fill level indicator (removable)
- 2 Water tank cover (removable)
- 3 Filter housing (swivelling)
- 4 Filter holder (dishwasher-safe)
- 5 Drip stop
- 6 Glass carafe with lid (dishwasher-safe)
- 7 ON/OFF switch 
- 8  Low water indicator
- 9 Display (automatic switch-off) **auto off**
- 10 Descale button with indicator **calc**
- 11 Cable storage compartment
- 12 Hotplate


## **General information**

- **Fill water tank with clean, cold water only.** Never add milk or beverages such as tea or coffee since this will damage the appliance.
- Never fill water tank above the marking "10 ".
- Use coffee with a medium grind (approx. 6 g per cup).
- Do not brew less than the minimum amount of three cups since the coffee will not have the desired strength and temperature (1 cup = approx. 125 ml).
- Never remove the carafe while the machine is brewing coffee since this may cause the filter holder to overflow.
- Make sure that carafe's lid is closed when you place the carafe on the coffee machine.
- Do not use other carafes since the special drip protector will block the coffee from flowing into the receptacle.

- Some water accumulation on the filter holder is normal; it does not indicate that the coffee machine is defective.

---

## Before using for the first time


- Remove any stickers or film.
- Pull enough of the power cable out of the storage compartment and plug in.
- To clean, fill water tank with **6 cups** of water and replace it. Press the ON/OFF switch ; cleaning program starts.
- Repeat the cleaning process.

**Note:** You may notice a “new machine” smell; this is normal. If this is the case, fill with a vinegar solution (1 cup of vinegar for 5 cups of water) and run the cleaning program. Next, rinse the machine twice with **6 cups** of water.

- Clean the carafe thoroughly.

---

## Brewing coffee

- Remove the water tank, fill it with water and replace it.
- Swivel out filter housing.
- Insert a 1x4 paper filter in the filter holder and add the desired amount of coffee.
- Flip back the filter housing until it engages.
- Place the carafe with the lid closed under the filter housing.
- Press the ON/OFF switch  to start the brewing cycle. At the same time, the **auto off** function is activated; the display lights up.


**Info:** The appliance has an automatic **auto off** (power save) function, which switches off the appliance around 40 minutes after the brewing process is complete.

**Important:** When the brewing process is complete, wait a moment until all the coffee has run through the filter and into the carafe.

**Let the machine cool down for five minutes before brewing a fresh pot.**

---

## Low water indicator

This coffee machine senses if the water volume in the water tank is low (less than approx. 4 cups). If the water level is low,  lights up and the machine automatically increases the brewing time. This ensures that the coffee retains its ideal flavour.

---

## Coffee-making tips

Store ground coffee in a cool place; you can also freeze it. Once a package of coffee has been opened, close it tightly to maintain its aroma.

How the coffee beans are roasted affects their taste and aroma.

Darker roast = more flavour

Lighter roast = more acidity

---

## Cleaning

Never immerse the device in water or place it in the dishwasher!

Don't steam-clean the appliance.

Unplug the appliance before cleaning it.

- Clean all parts that came into contact with coffee after each use.
- Clean the coffee machine's exterior with a damp cloth; do not use strong or abrasive cleaning agents.
- Clean the water tank under running water; don't use a firm brush.
- The glass carafe and its lid are dishwasher-safe.

---


## Descaling

This appliance is equipped with an automatic descaling indicator. If **calc** indicator lights up, the machine needs to be descaled.

Regular descaling

- makes your appliance last longer
- ensures proper function
- prevents excessive steam
- speeds up the brewing process
- saves energy

Descale the machine with a commercial descaling agent.

- Switch off the machine and allow it to cool.
- Make sure that carafe's lid is closed when you place the carafe on the coffee machine.
- Prepare the descaling solution according to the manufacturer's instructions and pour it into the water tank.  
**Warning:** Do not fill with more than **6 cups**.
- Switch the machine on using the ON/OFF switch .
- Press and hold down the button descale **calc** for at least 2 seconds. The descaling process starts.
- The program interrupts the process several times for a few minutes in order to let the descaling agent penetrate the deposits. The entire descaling process takes about 30 minutes.
- When the descaling process is complete, the display **calc** will no longer light up. Operate the machine twice using clean water, without coffee. Do not fill the tank with more than **6 cups** of water.
- Thoroughly rinse all removable parts and the carafe.

## Troubleshooting

The machine takes noticeably longer or switches itself off before the brewing process is complete.

- The machine needs descaling.
- Descale the machine as per the instructions. To start the descaling program, press and hold button **calc** for at least two seconds.

**Tip:** If your water is very hard, descale the coffee machine more frequently than requested by the **calc** indicator.

The drip stop leaks.

- It needs to be cleaned.
- Clean drip stop (in filter holder) under running water while cleaning it several times with your finger.

## Technical data

Electrical connection	220-240 V~ 50/60 Hz
Power	1160 W
Appliance height	355 mm
Appliance width	260 mm
Appliance depth	250 mm
Tank capacity	1.375 L

## Disposal



Dispose of packaging in an environmentally-friendly manner. This appliance is labelled in accordance with European Directive 2012/19/EU concerning used electrical and electronic appliances (waste electrical and electronic equipment – WEEE). The guideline determines the framework for the return and recycling of used appliances as applicable throughout the EU. Please ask your specialist retailer about current disposal facilities.

## Guarantee

The guarantee conditions for this appliance are as defined by our representative in the country in which it is sold. Details regarding these conditions can be obtained from the dealer from whom the appliance was purchased. The bill of sale or receipt must be produced when making any claim under the terms of this guarantee.

Changes reserved.

## Kundendienst – Customer Service

### DE Deutschland, Germany

BSH Hausgeräte Service GmbH  
Zentralwerkstatt für kleine Hausgeräte  
Trautskirchener Strasse 6-8  
90431 Nürnberg  
Online Auftragsstatus, Filterbeutel-  
Konfigurator und viele weitere Infos unter:  
[www.bosch-home.com](http://www.bosch-home.com)  
Reparaturservice, Ersatzteile & Zubehör,  
Produkt-Informationen:  
Tel.: 0911 70 440 040  
mailto:Kleingeraete@bshg.com

### AE United Arab Emirates, الإمارات العربية المتحدة

BSH Home Appliances FZE  
Round About 13, Plot Nr MO-0532A  
Jebel Ali Free Zone - Dubai  
Tel.: 04 881 44 01\*  
mailto:service.uae@bshg.com  
[www.bosch-home.com/ae](http://www.bosch-home.com/ae)  
\*Sun-Thu: 8am to 5pm (exclude public holidays)

### AL Republika e Shqiperise, Albania

Elektro-Service sh.p.k  
Rruga Kasem Shima, Kodi postar-1050  
Prane Ures Mezezit  
1023 Tirane  
Tel.: 4 227 8130; -131  
mailto:info@elektro-servis.com  
EXPERT Service  
Rruga e Kavajes, Kulla B Nr 223/1 Kati I  
1023 Tirane  
Tel.: 4 480 6061, 4 227 4941  
Cel: +355 069 60 45555  
mailto:info@expert-servis.al

### AM Armenia, Հայաստան

ZIG ZAG LLC  
Charenci str. 25  
Yerevan 375025  
Tel.: 010 55 60 10  
mailto:service@zigzag.am  
[www.zigzag.am](http://www.zigzag.am)

### AT Österreich, Austria

BSH Hausgeräte Gesellschaft mbH  
Werkskundendienst für Hausgeräte  
Quellenstrasse 2a  
1100 Wien  
Online Reparaturannahme, Ersatzteile und  
Zubehör und viele weitere Infos unter:  
[www.bosch-home.at](http://www.bosch-home.at)  
Reparaturservice, Ersatzteile & Zubehör,  
Produktinformationen  
Tel.: 0810 550 511\*  
mailto:vie-stoerungsannahme@bshg.com  
\*Wir sind an 365 Tagen von 07.00 bis 22.00 Uhr für  
Sie erreichbar.

### AU Australia

BSH Home Appliances Pty. Ltd.  
Gate 1, 1555 Centre Road  
Clayton, Victoria 3168  
Tel.: 1300 369 744\*  
mailto:customersupport.au@bshg.com  
[www.bosch-home.com.au](http://www.bosch-home.com.au)  
\*Mon-Fri 24 hours

### AZ Azərbaycan Respublikası, Azerbaijan

Baku Service Company MMC  
Narimanov r-nu, Əhməd Rəcəbli küç.,1,  
bina 50C  
Baku  
Tel.: 12 991  
mailto:Info@bakuservice.az  
[www.ser-cen.az](http://www.ser-cen.az)  
Yurd Service MMC  
75-79, Bakikhanov Str.  
Baku, AZ1007  
Tel.: 12 480 33 01  
mailto:info-service@yurd.az  
[www.yurd.az](http://www.yurd.az)  
Optimal Elektronika MMC  
Hasanoghlu 7B, Narimanov discriit  
Baku, AZ1072  
Tel.: 12 954  
mailto:STMS@optimal.az  
[www.optimal.az](http://www.optimal.az)

### BA Bosna i Hercegovina, Bosnia-Herzegovina

"HIGH" d.o.o.  
Gradažacka 29b  
71000 Sarajevo  
Tel./Fax: 033 21 35 13  
mailto:centralniservis@yahoo.com

### BE Belgique, België, Belgium

BSH Home Appliances S.A. - N.V.  
Rue Picard 7, box 400  
Picardstraat 7, box 400  
1000 Bruxelles - Brussel  
Tel.: 02 475 70 01  
mailto:bru-repairs@bshg.com  
[www.bosch-home.be](http://www.bosch-home.be)

### BG Bulgaria

BSH Domakinski Uredi Bulgaria EOOD  
Business center FPI, floor 5,  
Cherni vrah Blvd. 51B  
1407 Sofia  
Tel.: 0700 208 17  
mailto:informacia.servis-bg@bshg.com  
[www.bosch-home.bg](http://www.bosch-home.bg)

### BH Bahrain, مملكة البحرين

Khalaifat Est.  
BLD 898, R 533, TASHAN 405  
Manama  
Tel.: 01 740 05 53\*  
mailto:service@khalaifat.com  
\*Sat-Thu 7am to 5pm (exclude public holidays)

### BY Belarus, Беларусь

ООО "БСХ Бытовая техника"  
тел.: 495 737 2961  
mailto:mok-kdhl@bshg.com

### CA Canada

BSH Home Appliances Ltd.  
Tel.: 800 944 2904  
mailto:bosch-canada-questions@bshg.com  
[www.bosch-home.ca](http://www.bosch-home.ca)

### CH Schweiz, Suisse, Svizzera, Switzerland

BSH Hausgeräte AG  
Bosch Hausgeräte Service  
Fahrweidstrasse 80  
8954 Geroldswil  
Reparaturservice, Ersatzteile & Zubehör,  
Produkteinformationen  
Tel.: 0848 888 200  
mailto:ch-service@bshg.com  
mailto:ch-spareparts@bshg.com  
[www.bosch-home.ch](http://www.bosch-home.ch)

### CN China, 中国

中国江苏省南京市鼓楼区清江南路18号3幢  
BSH Home Appliances Service Jiangsu Co. Ltd.  
Building 3, No. 18 Qingjiang South Road,  
Gulou District,  
Nanjing, Jiangsu Province  
Service Tel.: 400 8855 888\*  
mailto:careline.china@bshg.com  
[www.bosch-home.cn](http://www.bosch-home.cn)  
\*phone rate depends on the network used

### CY Cyprus, Κύπρος

BSH Ikiakes Syskeses-Service  
39, Arh. Makaanou III Str.  
2407 Egomi/Nikosia (Lefkosia)  
Tel.: 777 78 007  
mailto:EGO-CYCustomerService@bshg.com

### CYN Turkish Rep. Of North Cyprus

Argas Limited Company  
37 Osman Paşa Cad. Küçük Çiftlik  
Lefkoşa  
Tel.: 0228 40 70  
mailto:argas.teknik@yar-group.com  
Semson Ticaret Sti. Ltd.  
Bedrettin Demirel Cad. no 17  
Gime  
Tel.: 0816 04 94  
mailto:m.defterali@ercantgroup.com

### CZ Česká Republika, Czech Republic

Více informací (např. záruční podmínky,  
prodloužená záruka aj.) naleznete na webových  
stránkách [www.bosch-home.com/cz/](http://www.bosch-home.com/cz/)  
nebo nás kontaktujte na +420 251 095 511  
BSH domácí spotřebiče s.r.o.  
Radlická 350/107c  
158 00 Praha 5  
Přijím oprav  
Tel: +420 251 095 043  
mailto:opravy@bshg.com

### DK Denmark, Denmark

BSH Hvidevarer A/S  
Telegrafvej 4  
2750 Ballerup  
Tel.: 44 89 80 18  
mailto:BSH-Service.dk@bshg.com  
[www.bosch-home.dk](http://www.bosch-home.dk)

### EE Eesti, Estonia

Renneri Kaubanduse OÜ  
Tammisaare tee 134B (Euronicsi kaupluses)  
12918 Tallinn  
Tel.: 0651 2222  
mailto:klienditeenindus@renerk.ee  
[www.renerk.ee](http://www.renerk.ee)  
Eliser OÜ  
Mustamäe tee 24  
10621 Tallinn  
Tel.: 0665 0090  
mailto:hoolidus@eliser.ee  
[www.kodumasinat-remont.ee](http://www.kodumasinat-remont.ee)

### ES España, Spain

BSH Electrodomésticos España S.A.  
Servicio Oficial del Fabricante  
Parque Empresarial PLAZA,  
C/ Manfredonia, 6  
50197 Zaragoza  
Tel.: 976 305 713  
mailto:CAU-Bosch@bshg.com  
[www.bosch-home.es](http://www.bosch-home.es)

### FI Suomi, Finland


BSH Kodinkoneet Oy  
Itälahdenkatu 18 A, PL 123  
00201 Helsinki  
Tel.: 0207 510 705\*  
mailto:Bosch-Service-FI@bshg.com  
[www.bosch-home.fi](http://www.bosch-home.fi)  
\*Soittajahinta on kiinteästä verkosta ja matkapu-  
helimestä 8,35 snt/puh + 16,69 snt/min.




**FR France**

BSH Electroménager S.A.S.  
Service Après-Vente  
26 ave Michelet - CS 90045  
93582 SAINT-OUEN cedex  
Service interventions à domicile:  
01 40 10 11 00

**Service Consommateurs:**

0 892 698 010 

**Service Pièces Détachées et Accessoires:**

0 892 698 009 

mailto:serviceconsommateur.fr@

bosch-home.com

www.bosch-home.com/fr

**GB Great Britain**

BSH Home Appliances Ltd.  
Grand Union House,  
Old Wolverton Road,  
Wolverton  
Milton Keynes MK12 5PT  
To arrange an engineer visit, to order spare parts and accessories or for product advice please visit [www.bosch-home.co.uk](http://www.bosch-home.co.uk)  
Or call

Tel.: 0344 892 8979\*

\*Calls are charged at the basic rate, please check with your telephone service provider for exact charges.

**GE Georgia, საქართველო**

Elit Service Ltd.  
Vake-Saburtalo district,  
Intersection of Al. Kazbegi ave.  
and Kavtaradze Str. 0186  
Kavtaradze str. 1  
Tbilisi

Tel.: 32 300 020

mailto:info@es.ge

**GR Greece, Ελλάς**

BSH Ikiakes Siskeves A.B.E.  
Central Branch Service  
17 km E.O. Athinon-Lamias & Potamou 20  
14564 Kifisia  
Τηλέφωνο: 210 4277 500; -701  
mailto:nkf-CustomerService@bshg.com  
www.bosch-home.gr

**HK Hong Kong, 香港**

BSH Home Appliances Limited  
香港新界荃灣青山公路388號中染大廈23樓07室  
Unit 07, 23/F, CDW Building,  
388 Castle Peak Road,  
Tsuen Wan, New Territories,  
Hong Kong

Tel.: 2626 9655 (HK)

Toll free 0800 863 (Macao)  
mailto:bosch.hk.service@bshg.com  
www.bosch-home.com.hk

**HR Hrvatska, Croatia**

BSH kućanski uređaji d.o.o.  
Ulica grada Vukovara 269F  
10000 Zagreb  
Tel.: 01 5520 888  
mailto:informacije.servis-hr@bshg.com  
www.bosch-home.com/hr

**HU Magyarország, Hungary**

BSH Háztartási Készülék Kereskedelm Kft.  
Árpád fejedelem útja 26-28  
1023 Budapest  
Call Center: +06 80 200 201  
mailto: BSH-szerviz@bshg.com  
www.bosch-home.com/hu

**IE Republic of Ireland**

BSH Home Appliances Ltd.  
M50 Business Park,  
Ballymount Road Upper,  
Walkinstown  
Dublin 12

To arrange an engineer visit, to order spare parts and accessories or for product advice please call

Tel.: 01450 2655\*

[www.bosch-home.ie](http://www.bosch-home.ie)

\*Calls are charged at the basic rate, please check with your telephone service provider for exact charges

**IL Israel**

C/S/B/ Home Appliance Ltd.  
1, Hamasger St.,  
North Industrial Park  
Lod, 7129801  
Tel.: 08 9777 222  
mailto:csb-serv@csb-ltd.co.il  
[www.bosch-home.co.il](http://www.bosch-home.co.il)

**IN India, Bhārat, भारत**

BSH Household Appliances Mfg. Pvt. Ltd.  
Arena House, Main Bldg, 2nd Floor,  
Plot No. 103, Road No. 12,  
MDC, Andheri East  
Mumbai 400 093  
Toll Free 1800 266 1880\*  
[www.bosch-home.in](http://www.bosch-home.in)  
\*Mon-Sat: 8am to 8pm (exclude public holidays)

**IS Iceland**

Smith & Norland hf.  
Noatuni 4  
105 Reykjavik  
Tel.: 0520 3000  
[www.sminor.is](http://www.sminor.is)

**IT Italia, Italy**

BSH Elettrodomestici S.p.A.  
Via. M. Nizzoli 1  
20147 Milano (MI)  
Tel.: 02 412 678 100  
mailto:info.it@bosch-home.com  
[www.bosch-home.com/it](http://www.bosch-home.com/it)

**JO Jordan, الأردن**

Diab Qawasmi & Sons Co.  
Khaled Ben Al-Waleed Street,  
Jabal Al Hussein (11121),  
P.O. Box 212292  
Amman  
Tel.: 06 465 8505, -2650  
Tel.: 79 110 3430  
mailto:boschjo@yahoo.com

**KG Kyrgyzstan, Кыргыз Республикасы**

OcOO Alfa Systems  
Jibek Jolu str. 40  
Bishkek  
Tel.: 0702 98 53 53  
mailto:alfas-service@mail.ru

**KR Republic Korea, Daehan Minguk, 대한민국**

Empel Co. Ltd.  
1201 ACE High Tech City 1 Building  
775 Gyeongin-ro Youngdeungpo-gu  
Seoul 07299 South Korea  
Tel.: 1899-4636  
mailto:hsshim@empel.co.kr

**KZ Kazakhstan, Қазақстан**

BSH Home Appliances LLP  
Dostyk 117/6,  
Business Center "Khan Tengri"  
Almaty  
Hotline: 5454\*  
mailto:ALA-Service@bshg.com  
\*Toll free from mobile only

**LB Lebanon, لبنان**

Tehlni, Hana & Co.  
Boulevard Dora 4043 Beyrouth,  
P.O. Box 90449  
Jdeideh 1202 2040  
Tel.: 01 255 211  
mailto:Info@tehni-hana.com

**LT Lietuva, Lithuania**

UAB "AG Service"  
R. Kalantos g. 32  
52494 Kaunas  
Tel.: +370 (8) 700 556 55  
mailto:servisas@agservice.lt  
[www.agservice.lt](http://www.agservice.lt)

**Baltic Continent Ltd.**

Lukšio g. 23  
09132 Vilnius  
Tel.: +370 (8) 700 555 95  
mailto:info@balticcontinent.lt  
[www.balticcontinent.lt](http://www.balticcontinent.lt)

**UAB Emtoservis**

Savonorių pr. 1 (Centrinė būstinė)  
03116 Vilnius  
Tel.: +370 (8) 700 447 24  
mailto:svc@emtoservis.lt  
[www.emtoservis.lt](http://www.emtoservis.lt)

**LU Luxembourg**

BSH électroménagers S.A.  
13-15, ZI Breedeweues  
1259 Senningerberg  
Tel.: 26 349 811  
Reparaturen: lux-repair@bshg.com  
Ersatzteile: lux-spare@bshg.com  
[www.bosch-home.com/lu](http://www.bosch-home.com/lu)

**LV Latvija, Latvia**

SIA "General Serviss"  
Bulļu iela 70c  
1067 Riga  
Tel.: +371 6742 5232  
mailto:info@serviscentrs.lv  
[www.serviscentrs.lv](http://www.serviscentrs.lv)

**SIA Koroso**

Vestienas iela 2  
1004 Riga  
Tel.: +371 2200 4203  
mailto:servis@koroso.lv  
[www.koroso.lv](http://www.koroso.lv)

**EMTA Serviss SIA**

Katlakaina 1  
1073 Riga  
Tel.: +371 6602 0338  
mailto:info@emta.lv  
[www.emta.lv](http://www.emta.lv)

**Sia Elektronika-Serviss**

Tadaikū iela 4  
1004 Riga  
Tel.: +371 6771 7060  
mailto:serviss@elektronika.lv  
[www.elektronika.lv](http://www.elektronika.lv)

**MD Moldova**

S.R.L. "Rialto-Studio"  
Площадь Дмитрия Кантемира, 1, этаж 3,  
2069 Кишинев  
Ten.: +373 22 840 050, 840 054  
mailto:service@rialto.md

**ME Crna Gora, Montenegro**

ME Crna Gora, Montenegro  
Elektronika komerc  
Oktobarske revolucije 129  
81000 Podgorica  
Tel./Fax: 020 674 631  
Mobil: 069 324 812  
mailto:ekobosch.servis@t-com.me

**MK Macedonia, Македонија**

GORENEC  
Jane Sandanski 67 lok.3  
1000 Skopje  
Tel.: 022 454 600  
Mobil: 070 233 689  
mailto:gore nec@yahoo.com

**MT Malta**

Oxford House Ltd.  
Notabile Road  
Mriehel BKR 14  
Tel.: 021 442 334  
www.oxfordhouse.com.mt

**MV Raajjeyge Jumhooriyyaa, Maledives**

Lintel Investments and Management Services Pvt. Ltd.  
Ma. Maadheli, Majeedhee Magu Malé  
Tel.: 030 10 200  
mailto:mohamed.zuhuree@lintel.com.mv  
www.lintel.com.mv

**NL Nederlande, Netherlands**

BSH Huishoudapparaten B.V.  
Taurusavenue 36  
2132 LS Hoofddorp  
Storingsmelding/ Onderdelenverkoop:  
Tel.: 088 424 4010  
mailto:bosch-contactcenter@bshg.com  
mailto:bosch-onderdelen@bshg.com  
www.bosch-home.nl

**NO Norge, Norway**

BSH Husholdningsapparater A/S  
Grensesvingen 9  
0661 Oslo  
Tel.: 22 66 05 54  
mailto:Bosch-Service-NO@bshg.com  
www.bosch-home.no

**NZ New Zealand**

BSH Home Appliances Ltd.  
Level 3, Air NZ Building,  
Smales Farm Business Park  
74 Taharoto Road,  
Takapuna  
Auckland 0622  
Tel.: +64 0800 245 700\*  
mailto:aftersales.nz@bshg.com  
www.bosch-home.co.nz  
\*Mon-Fri: 8.30am to 5pm (exclude public holidays)

**PK Pakistan, پاکستان**

MEGA Home Appliances  
Plaza 46-A, Commercial Sector XX,  
Phase 3, DHA  
Lahore  
Tel.: 0800-BOSCH (26724)\*  
Tel.: 42 371 32 682-5 Ext: 8005\*  
mailto:customer.care@megahome.pk  
www.megahome.pk  
\*Mon-Sat: 9am to 6pm (exclude public holidays)

**PL Polska, Poland**

BSH Sprzęt Gospodarsstwa  
Domowego Sp. z o.o.  
Al. Jerozolimskie 183  
02-222 Warszawa  
Tel.: +48 42 271 5555  
mailto:Serwis.Fabryczny@bshg.com  
www.bosch-home.pl

**PT Portugal**

BSHP Electrodomésticos, Sociedade Unipessoal Lda.  
Rua Alto do Montijo, nº 15  
2790-012 Carnaxide  
Tel.: 214 250 730  
mailto:bosch.electrodomesticos.pt@bshg.com  
www.bosch-home.pt

**RO România, Romania**

BSH Electrocasnice srl.  
Sos. Bucuresti-Ploiesti, nr. 19-21, sect. 1  
013682 Bucuresti  
Tel.: 021 203 9748  
mailto:service.romania@bshg.com  
www.bosch-home.ro

**RU Russia, Россия**

ООО «БХ Бытовые Приборы»  
Сервис от производителя  
Тел.: 8 (800) 200 29 61  
mailto:hotlineru@bshg.com  
www.bosch-home.com

**SA Kingdom Saudi Arabia, المملكة العربية السعودية**

Abdul Latif Jameel Electronics and Airconditioning Co. Ltd.  
BOSCH Service centre, Kilo 5 Old Makkah Road (Next to Toyota), Jamiah Dist., P.O. Box 7997  
Jeddah 21472  
Tel.: 800 127 9999\*  
mailto:ALJECC8@ALJ.COM  
www.aljelectronics.com.sa  
\*Sat-Thu: 8am to 11pm (exclude public holidays)

**SE Sverige, Sweden**

BSH Home Appliances AB  
Landsvägen 32  
169 29 Solna  
Tel.: 0771 197 000  
mailto:Bosch-Service-SE@bshg.com  
www.bosch-home.se

**SG Singapore, 新加坡**

BSH Home Appliances Pte. Ltd.  
38C Jalan Pemimpin, #01-01  
Singapore 577180  
Tel.: 6751 5000\*  
mailto:bshsgp.service@bshg.com  
www.bosch-home.com.sg  
\*Mon-Fri: 9am to 6pm, Sat: 9am to 1pm (exclude public holidays)

**SI Slovenija, Slovenia**

BSH Hišni aparati d.o.o.  
Litostrojska 48  
1000 Ljubljana  
Tel.: 01 5830 700  
mailto:informacije.servis-slo@bshg.com  
www.bosch-home.com/si

**SK Slovensko, Slovakia**

Viac informácií (napr. záručné podmienky, predĺžená záruka a i.) nájdete nabebových stránkach [www.bosch-home.com/sk/](http://www.bosch-home.com/sk/) alebo nás kontaktujte na +420 251 095 511  
BSH domácí spotřebiče s.r.o.  
organizačná zložka Bratislava  
Trnavská cesta 50  
821 02 Bratislava  
Příjem opráv  
Tel.: +421 238 106 115  
mailto:opravy@bshg.com

**TH Thailand, ประเทศไทย**

BSH Home Appliances Limited  
Ital Thai Tower, 2034/31-39, 1st floor,  
New Petchburi Road,  
Bangkapi, Huay Kwang  
Bangkok, 10310  
Tel.: 02 495 2424\*  
www.bosch-home.com/th  
\*Mon-Sat: 8am to 6pm (exclude public holidays)

**TJ Tadschikistan, Цумхуристон**

P.E. Suhrob Muhitdinov  
Shamsi street no: 67/A  
Dushanbe  
Tel.: 091 867 80 43  
mailto:sino2003@list.ru  
Vostok Co. Ltd.  
Yakkacinarskaya street No: 144/4  
Dushanbe  
Tel.: 44 600 78 72  
mailto:Lola.Mirzoeva@vostok.tj  
www.volna.tj

**TM Türkmenistan, Turkmenistan**

Bayram Anna Yuryewna  
Stariya marka, Atabeyeva str.  
Spectrum mağaza  
Ashgabat  
Tel.: 012 26 94 16  
mailto:steptm@mail.ru

**TR Türkiye, Turkey**

BSH Ev Aletleri Sanayi ve Ticaret A.S.  
Fatih Sultan Mehmet Mahallesi,  
Balkan Caddesi No: 51  
34771 Ümraniye, Istanbul  
Tel.: 0 216 444 6333\*  
mailto:careline.turkey@bshg.com  
www.bosch-home.com/tr  
\*Çağrı merkezini sabit hatlardan aramanın bedeli şehir içi ücretlendirir, Cep telefonlarından ise kullandığınız tarifeye göre değişiklik göstermektedir

**TW Taiwan, 台灣**

我們期盼您不斷的鼓勵與指導，任何諮詢或服務需求，歡迎洽詢客服專線  
BSH Home Appliances Private Limited  
台北市內湖區洲子街80號11樓  
11F., No.80, Zhouzi St., Neihu Dist.  
Taipei City 11493  
Tel.: 0800 368 888  
mailto:bshhtzn-service@bshg.com  
www.bosch-home.com.tw

**UA Ukraine, Україна**

ТОВ "БХ Побутова Техніка"  
Тел.: 0 800 300 152\*  
mailto:BSH-serviceua@bshg.com  
www.bosch-home.com.ua  
\*Безкоштовна Інфо-Лінія Пн-Пт з 9.00 до 18.00

**UZ O'zbekiston Respublikasi, Republic of Uzbekistan**

Elektronik Magnat  
Beruni Street No: 5/6  
Tashkent  
Tel.: 712 156 333  
mailto:magnat.service.uzb@gmail.com

**XK Kosovo**

Service-General SH.P.K.  
rr.Magjistrailja Ferizaj Prishtine  
70000 Ferizaj  
Tel.: 00381 (0) 290 330 723  
mailto:servicegeneral527@gmail.com

**XS Srbija, Serbia**

BSH Kućni aparati d.o.o.  
Omladinskih brigada 90E  
11070 Novi Beograd  
Tel.: 011 353 70 08  
mailto:informacije.servis-sr@bshg.com  
www.bosch-home.rs

**ZA South Africa**

BSH Home Appliances (Pty) Ltd.  
96 Fifteenth Road, Randjespark  
1685 Midrand - Johannesburg  
Tel.: 086 002 6724  
mailto:bsh@iopen.co.za  
mailto:applianceserviceza@bshg.com  
www.bosch-home.com/za





## Thank you for buying a Bosch Home Appliance!

Register your new device on MyBosch now and profit directly from:

- **Expert tips & tricks for your appliance**
- **Warranty extension options**
- **Discounts for accessories & spare-parts**
- **Digital manual and all appliance data at hand**
- **Easy access to Bosch Home Appliances Service**

Free and easy registration – also on mobile phones:

**[www.bosch-home.com/welcome](http://www.bosch-home.com/welcome)**

**BOSCH**  
HOME APPLIANCES  
**SERVICE**

## Looking for help? You'll find it here.

Expert advice for your Bosch home appliances, need help with problems or a repair from Bosch experts.

Find out everything about the many ways Bosch can support you:

**[www.bosch-home.com/service](http://www.bosch-home.com/service)**

Contact data of all countries are listed in the attached service directory.

BSH Hausgeräte GmbH  
Carl-Wery-Straße 34  
81739 München, GERMANY  
A Bosch Company  
[www.bosch-home.com](http://www.bosch-home.com)



**8001229271** (010716)

Valid within Great Britain:  
Imported to Great Britain by  
BSH Home Appliances Ltd.  
Grand Union House  
Old Wolverton Road  
Wolverton, Milton Keynes  
MK12 5PT  
United Kingdom