



BOSCH



Register your
new device on
MyBosch now and
get free benefits:
[bosch-home.com/
welcome](https://bosch-home.com/welcome)

Ergo**Mixx** and Maxo**Mixx** Fresh Vacuum System

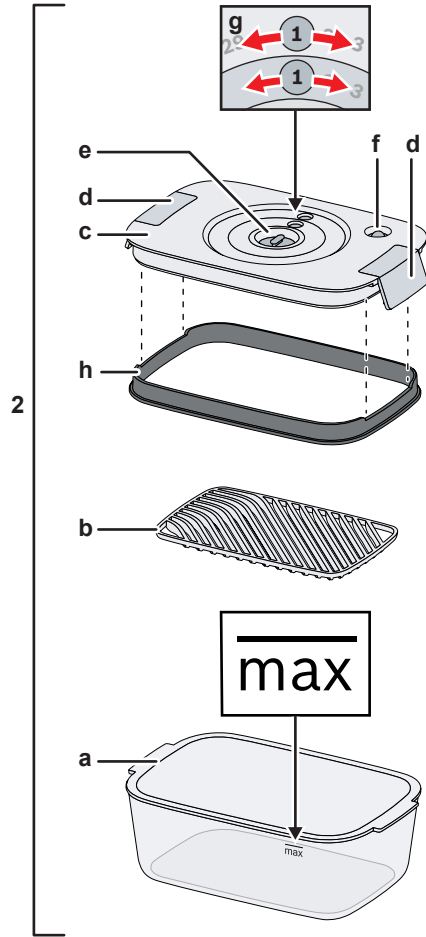
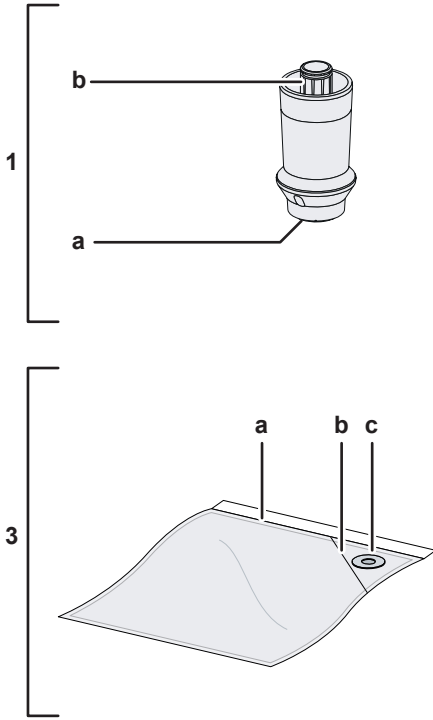
MS6..
MS8..

MSM6..
MSM8..

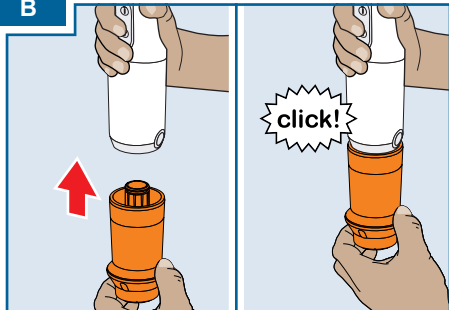
MSZV6FS1
MSZV8FS1

[en]	Instruction manual	Accessories (Hand blender)	5
[ms]	Arahan pengendalian	Aksesori (Pengadun tangan)	11
[zf]	使用説明書	配件 (手提攪拌棒)	17
[zh]	使用说明书	附件 (手持式搅拌棒)	22
[ar]	إرشادات الاستخدام	الكماليات (المضرب العصا)	32

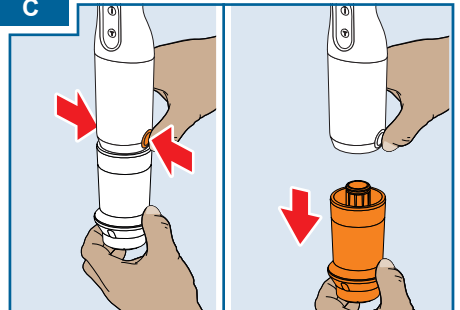
A

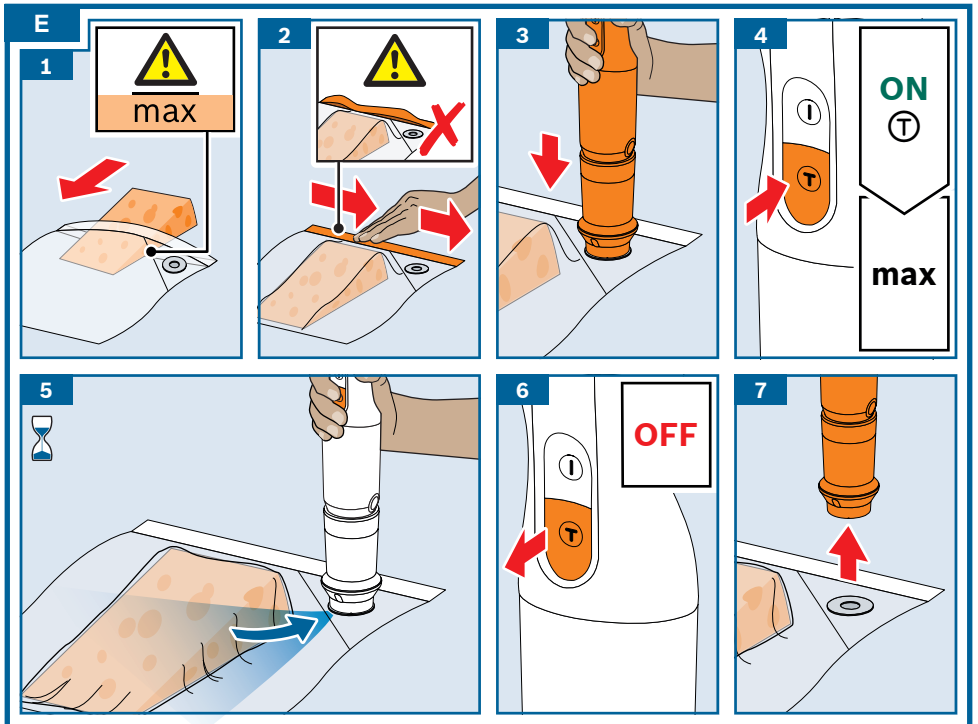
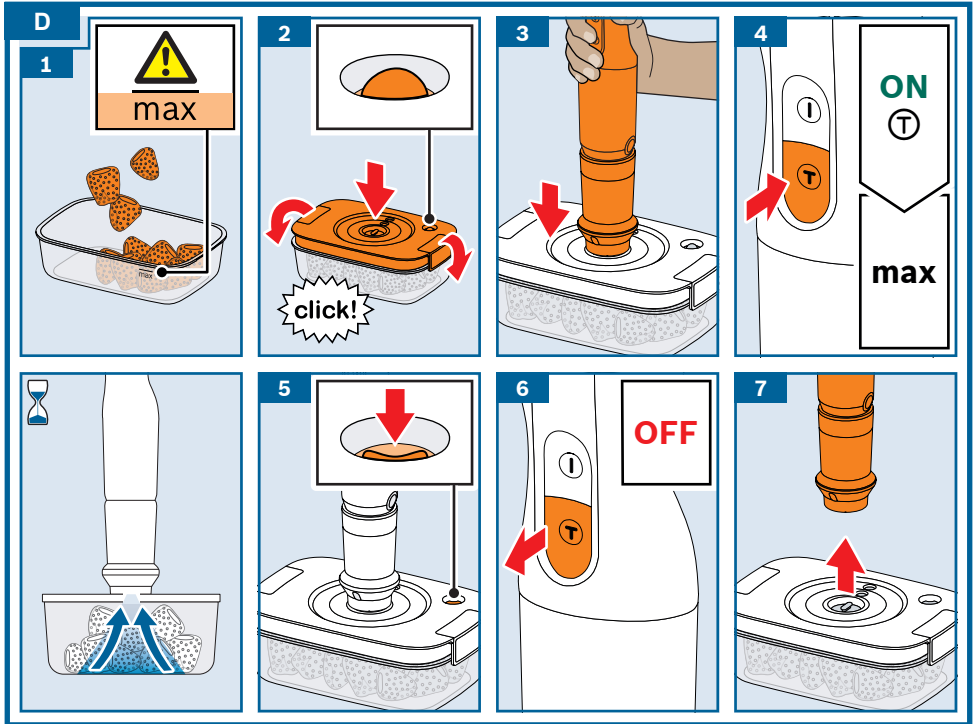


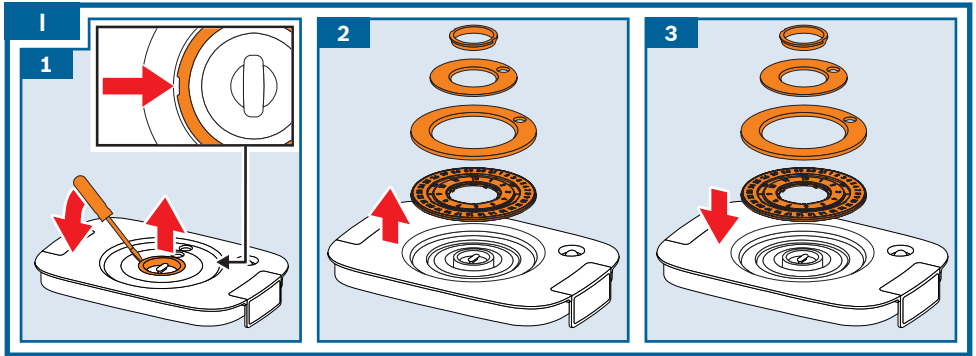
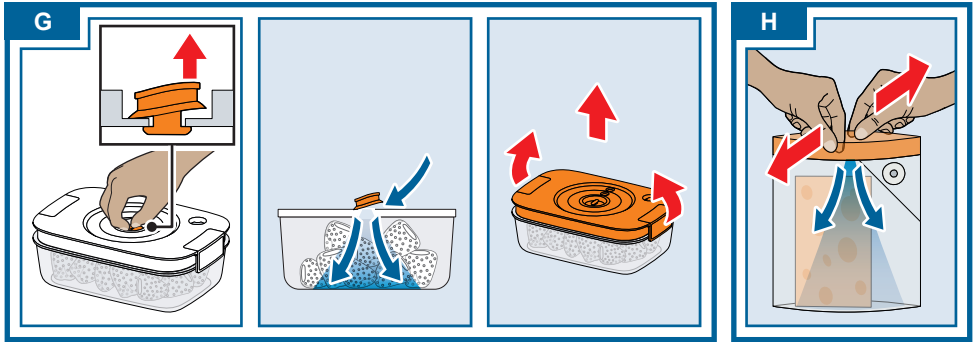
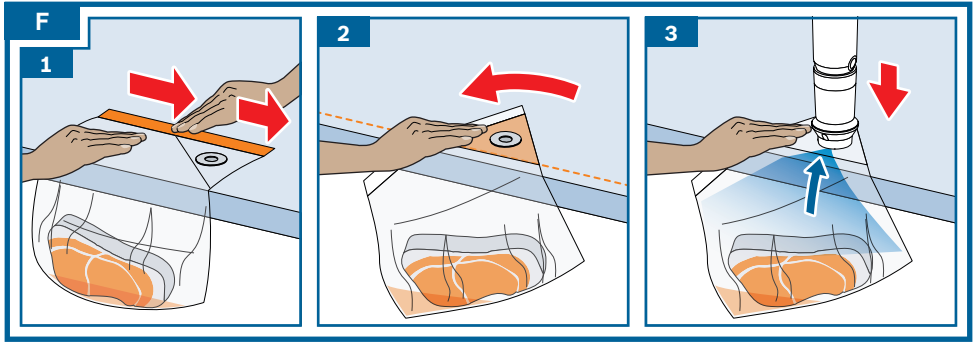
B



C







J

	✓		✓
	⚠ X		✓
	⚠ X		✓

Intended use

This accessory is designed for the ErgoMixx and MaxoMixx hand blenders. Follow the operating instructions for the hand blender. Never use the accessory for other appliances. Only use matching parts together. This accessory is suitable for vacuum-sealing Bosch bags and containers. The accessories are suitable only for the use described in these instructions.

Safety information

Risk of suffocation!

- Keep children away from vacuum zipper bags.
- Do not allow children to play with vacuum zipper bags.

Warning!

- Before attaching or removing accessory, always wait until the appliance has come to a standstill and pull out the mains plug.
- Do not operate at no-load.
- Never immerse the vacuum pump in liquids and do not clean under running water or in the dishwasher.
- All ingredients must be hygienically faultless. During handling, the rules of kitchen hygiene must be observed.
- Always allow food to cool down before vacuum-sealing.
- Check the quality of food after storage. Do not use food of dubious quality.

Important!

- Never reach into sealing elements with sharp, pointed or metal objects.
- Storage containers and zipper bags are dishwasher and freezer safe.
- In the microwave, food can be re-heated in containers or bags for no longer than 90 seconds at a maximum of 900W. Make sure to remove the container lid or to open the zipper bag before microwaving.
- Storage containers and zipper bags are suitable for a temperature range of -18°C to 85°C .
- Bags used to store raw meat, fish or poultry cannot be reused.
- It is essential to clean the accessory thoroughly after each use or after it has not been used for an extended period. → *“Cleaning and maintenance” see page 8*

Overview

→ Fig. 

- 1 **Vacuum pump**
 - a Vacuum valve
 - b Connection for base unit
- 2 **Storage container** *
 - a Container with marking **max**
 - b Drip tray *
 - c Lid
 - d Sealing clips
 - e Vacuum seal
 - f Vacuum indicator
 - g Setting rings for date (day/month)
 - h Lid gasket
- 3 **Vacuum zipper bags** *
 - a Zip lock
 - b Marking line **max**
 - c Vacuum seal


* Depending on model

Before using for the first time

Before the new accessory can be used, it must be fully unpacked, cleaned and checked.

Warning!

Never put a damaged accessory into operation!

- Check that all parts are present and examine them for obvious damage.
 - Fig. 
- Thoroughly clean and dry all parts before using for the first time.
 - *“Cleaning and maintenance” see page 8*

Parts and controls

Storage containers made of Tritan

Use to store food under vacuum to preserve the freshness and extend the shelf life of food contained in them, to marinate food, or to reheat it in the microwave.

Tritan is an unbreakable plastic with no discernable taste or smell.

Before using the containers in the microwave make sure you remove the lid.

Lid with vacuum seal

For airtight sealing of the containers.

The lids of the storage containers are equipped with a **vacuum indicator**. When the indicator visibly dimples inwards, a vacuum has been attained.

To remove a lid with vacuum applied, first grip the **vacuum seal** at one end and pull it up. Sufficient air has to get inside for the lid to be removed.

The lids of the storage containers are equipped with a **date indicator**. Turn the two rings to set the day and month when the food was added.

Drip tray

The drip tray separates the food from liquid that is excreted during storage. Liquid collects under the drip tray.

Vacuum zipper bags

Use to store food under vacuum to preserve the freshness and extend the shelf life of food contained in them, to marinate food or for sous-vide cooking.

Use only original Bosch vacuum zipper bags.

For storing liquids (such as soup) we recommend using containers.

Sous-vide cooking

Sous-vide cooking is a method of cooking under a vacuum at low temperatures.

Health risk!

When preparing food for sous-vide cooking it is important that you always follow the application and hygiene instructions below:

- Only use high-quality, perfectly fresh food.
- Wash and disinfect your hands. Use disposable gloves or cooking/grill tongs.
- Take extra care when preparing critical food, such as poultry, eggs and fish.
- Always thoroughly rinse and/or peel fruit and vegetables.

- Always keep work surfaces and chopping boards clean. Use different chopping boards for different types of food.
- Maintain the cold chain. Make sure that you only interrupt it briefly to prepare the food, and then return the food in its vacuum-sealed bag to the refrigerator for storage before you cook it.
- Food is suitable for immediate consumption only. Once the food is cooked, consume it immediately. Do not store it after cooking – not even in the refrigerator. It is not suitable for reheating.
- Do not cook the food in the bag you bought it in (e.g. portions of fish). These bags are not suitable for sous-vide cooking.
- Where possible, position the items of food in the bag next to each other and not on top of each other.
- We recommend to keep the vacuum seal out of the water.

For professional sous-vide cooking results we recommend to use Bosch vacuum drawer.

Use

Warning!

- Before attaching or removing vacuum pump, always wait until the drive has come to a standstill and pull out the mains plug.
- Do not use hand blender with vacuum pump for more than 10 minutes. Then leave the base unit and the pump to cool down.
- Storage in vacuum is not a substitute for food storage in the refrigerator or freezer.
- Always allow food to cool down before vacuum-sealing.

Fitting the vacuum pump

→ Fig.

- Place the vacuum pump on the base unit and lock into position.


Removing the vacuum pump

→ Fig.

- Hold down both release buttons and remove the vacuum pump from the base unit.

Vacuum-sealing with containers

→ Image sequence

1. Add prepared or cooked food to the appropriate container. Do not fill above the **max** mark.
2. Make sure that lid gasket is inserted correctly. Fit the lid and close securely with the sealing clips. Set the date using the two rings on the lid.
3. Place the base unit with the vacuum pump on the container's vacuum seal and hold securely.
4. Press Turbo button . The appliance remains switched on as long as the button is pressed.
5. The vacuum pump draws the air out of the container. When the vacuum indicator visibly dimples inwards, a vacuum has been attained.
6. Release the button.
7. Remove the base unit with the vacuum pump from the container. Disconnect the mains plug.

Note: Store the vacuum-sealed container with the lid facing up.

Vacuum-sealing with zipper bags

→ Image sequence

1. Add the food to the bag.

Note: Do not overfill the bag. Make sure the area of the vacuum seal is kept clean. Special care is needed when vacuuming juicy, moist or marinated food.

2. Place the bag on a flat surface. Lightly press the air out of the bag and close the zip lock tightly along the entire length.

Note: When vacuuming juicy, moist or marinated food, hang the vacuum zipper bag from the worktop. Make sure that the vacuum seal rests on the surface.

→ Fig. 6

Important!

- The contents must not exceed the **max** marking line.
 - The area beyond the **max** line and both sealing elements must be clean.
 - If zip lock is not clean and completely closed, vacuum cannot be generated.
3. Place the base unit with the vacuum pump of the bag's vacuum seal and hold securely.
 4. Press Turbo button (T). The appliance remains switched on as long as the button is pressed.
 5. The vacuum pump draws the air out of the bag. This makes the bag contract and envelop the contents.
 6. When the bag is sufficiently vacuumed, release the button.

Note: Pay special attention if liquid is excreting and approaching the **max** line. Release the button before liquid crosses the **max** line.

7. Remove the base unit with the vacuum pump from the container. Disconnect the mains plug.

Opening containers or zipper bags

→ Fig. 6

- To open a container, grip the vacuum seal at one end and pull it up. Sufficient air has to get inside the container.
- Open the sealing clips and remove the lid.

→ Fig. 7

- To open a zipper bag, pull the zip lock apart and open completely.
- After use, vacuum zipper bags must be cleaned carefully and dried off completely.

Cleaning and maintenance

The appliance and the individual parts used must be thoroughly cleaned after each use.

Warning!

- Do not use cleaning agents containing alcohol or spirits.
- Do not use sharp, pointed or metal objects.
- Do not use abrasive cloths or cleaning agents.
- Never immerse the vacuum pump in liquids and do not clean under running water or in the dishwasher.
- Clean all parts immediately after use. This will prevent residues from drying on and possibly attacking the plastic (e.g. essential oils in herbs).
- When processing food such as carrots, plastic parts may become discoloured, but this can be removed with a few drops of cooking oil.

In Fig. 8 you will find a summary of how to clean the individual parts.

- Clean the vacuum pump with a damp cloth and dry.
- Clean the other accessory parts with a detergent solution and a soft cloth or sponge or place them in the dishwasher.
- Vacuum zipper bags which will be reused, should be cleaned carefully and dried off completely. Bags used to store raw meat, fish or poultry should not be reused.
- Remove lid gasket for cleaning.

→ Fig. 8

Removing the setting rings

→ Image sequence 1

The setting rings in the lid of the vacuum container can be removed in order to clean them thoroughly.

1. Insert a small screwdriver into one of the two recesses of the safety ring and carefully lever out the ring by applying light pressure.

2. Remove the safety ring and setting rings as shown. Thoroughly clean and dry all parts.
3. Insert the setting rings in the order shown. Insert the safety ring by applying light pressure until it clicks into place.

Accessories

Accessories and spare parts can be purchased via trade stockists or customer service. As the product range is being constantly extended, it is possible that there are meanwhile other accessories that are not listed here. In this case go to **www.bosch-home.com** to see the latest accessories available.

Accessories	
MSZV0FC3	3 storage containers 0.9l / 1.2l / 1.7l
MSZV0FC2	2 storage containers 1.2 l
MSZV0FB1	10 bags small, 1.2 l
MSZV0FB3	10 bags large, 3.8 l
MMZV0BT1*	ToGo bottle (0.5 l)
MMZV0SB0*	Container, round (0.75 l)
MMZV0SB1*	Container, round (1.5 l)
MMZV0SB2*	2 containers, round (0.75 l and 1.5 l)

* This accessory has been developed for the Vita**Power** vacuum mixer but is compatible with the Ergo**Mixx** and Maxo**Mixx** fresh vacuum systems.

Round storage containers MMZV0S.. do not have a vacuum indicator. The vacuum time is 45 seconds.

Subject to change.

Troubleshooting

In the following table you will find solutions for problems or faults which you can easily rectify yourself. If a fault cannot be eliminated, please contact customer service.

Problem	Possible cause	Remedy
No vacuum can be generated in the storage container.	Lid is not fitted properly / completely.	<ul style="list-style-type: none"> ■ Check the clips. Close them correctly.
	The lid gasket is not inserted correctly.	<ul style="list-style-type: none"> ■ Position the lid gasket properly.
	Lid or sealing elements are soiled or damaged.	<ul style="list-style-type: none"> ■ Check lid, vacuum seal and lid gasket for damage. ■ Check that all parts are clean and dry, in particular the sealing elements. ■ Clean them thoroughly and leave to dry in the air. → <i>“Cleaning and maintenance” see page 8</i>
No vacuum can be generated in the zipper bag	Zip lock is not completely closed.	<ul style="list-style-type: none"> ■ Close the zip lock tightly along the entire length.
	Zip lock or vacuum seal is soiled or damaged.	<ul style="list-style-type: none"> ■ Check that sealing elements are clean. ■ Clean them thoroughly and leave to dry in the air. → <i>“Cleaning and maintenance” see page 8</i>
	The zipper bag is defective.	<ul style="list-style-type: none"> ■ Check the zipper bag for damage. If damaged use another zipper bag. → <i>“Accessories” see page 9</i>
The vacuum in the zipper bag is not maintained.	Holes may be made in zipper bags by sharp objects in the food to be vacuum-sealed (e.g. bones).	<ul style="list-style-type: none"> ■ If damage has been caused by sharp edges on the food to be vacuum-sealed, position them in the zipper bag so they cannot damage the walls of the bag.

Peraturan pengendalian

Aksesori ini direka khas untuk pengadun tangan ErgoMixx dan MaxoMixx. Sila ambil perhatian terhadap arahan pengendalian adunan tangan. Dilarang menggunakan alat ini bersama peranti lain. Gunakan bahagian yang dibekalkan sahaja. Aksesori ini sesuai untuk menghasilkan vakum bagi beg atau bekas Bosch yang berkenaan. Aksesori ini hanya sesuai untuk kegunaan seperti yang diterangkan dalam arahan ini.

Arahan keselamatan

Risiko lemas!

- Jauhkan beg vakum berzip dari kanak-kanak.
- Jangan biarkan kanak-kanak bermain dengan beg vakum berzip.

Perhatian!

- Pasang dan tanggalkan aksesori hanya apabila pemacu berhenti dan bekalan kuasa diputuskan.
- Jangan kendalikan dalam keadaan tanpa beban.
- Jangan sesekali merendam pam vakum ke dalam air dan jangan mencuci di bawah air yang mengalir atau di dalam mesin membasuh pinggan.
- Semua bahan mesti berada dalam keadaan bersih. Sila beri perhatian terhadap peraturan kebersihan dapur ketika pemprosesan.
- Sila biarkan makanan menyejuk dahulu sebelum di vakum.
- Periksa kualiti makanan walaupun selepas penyimpanan. Gunakan hanya makanan segar daripada kualiti yang terbaik.

Penting!

- Jangan sesekali menyentuh bahan terkedap dengan objek tajam, runcing atau logam.
- Bekas simpanan dan beg vakum berzip sesuai untuk mesin membasuh pinggan dan peti sejuk beku.
- Makanan di dalam bekas atau di dalam paket boleh dipanaskan di dalam ketuhar gelombang mikro selama maksimum 90 saat dengan kuasa maksimum 900 Watt. Tanggalkan penutup bekas atau buka paket sebelum menggunakan bekas atau paket itu di dalam ketuhar gelombang mikro.
- Bekas simpanan dan beg vakum berzip sesuai digunakan untuk julat suhu -18°C hingga 85°C .
- Beg yang telah digunakan untuk menyimpan daging, ikan atau ayam mentah tidak boleh digunakan semula.

- Bersihkan aksesori secara menyeluruh selepas setiap penggunaan atau selepas lama tidak menggunakannya. → “Pembersihan dan penjagaan” lihat halaman 14

Sepintas lalu

→ Rajah A

- 1 Pam vakum
 - a Injap vakum
 - b Penyambungan ke unit asas
- 2 Bekas simpanan *
 - a Bekas berskala dengan penanda **max**
 - b Jaringan tos *
 - c Penutup bekas
 - d Klip penutup
 - e Penutup vakum
 - f Paparan vakum
 - g Butang penetapan tarikh (hari / bulan)
 - h Pengekap vakum
- 3 Beg vakum berzip *
 - a Penutup berzip
 - b Garisan penanda **max**
 - c Penutup vakum

* Bergantung kepada model

Sebelum penggunaan pertama

Sebelum aksesori baru boleh digunakan, ia mestilah dikeluarkan sepenuhnya, dibersihkan dan diperiksa keadaannya.

Perhatian!

Jangan menggunakan aksesori yang rosak!

- Periksa keadaan setiap bahagian untuk memastikan tiada kerosakan.
→ Rajah A
- Sebelum penggunaan yang pertama, sila basuh semua bahagian dengan teliti dan keringkan. → “Pembersihan dan penjagaan” lihat halaman 14

Bahagian dan elemen kawalan

Bekas simpanan daripada Tritan

Untuk penyimpanan makanan di bawah vakum dengan tujuan memanjangkan tempoh kesegaran dan jangka hayat makanan, memerap atau memanaskan semula di dalam ketuuh gelombang mikro.

Tritan adalah bahan sintetik yang tahan pecah, tiada rasa dan tiada bau.

Tanggalkan penutup sebelum menggunakan bekas di dalam ketuuh gelombang mikro.

Penutup bekas dengan vakum

Untuk penyimpanan kedap udara.

Penutup bekas simpanan dilengkapi dengan **penunjuk vakum**. Apabila penunjuk melonjak ke dalam, keadaan vakum telah tercapai.

Untuk membuka penutup ketika dalam keadaan vakum, pegang **penutup vakum** pada satu hujungnya terlebih dahulu dan tarik ke atas. Penutup hanya akan terbuka apabila udara telah memenuhi dalaman bekas dengan mencukupi.

Penutup bekas simpanan dilengkapi dengan **paparan tarikh**. Dengan memutar kedua cincin penunjuk, tarikh ketika makanan disimpan dapat dicatatkan.

Jaringan tos

Jaringan tos digunakan untuk memisahkan cecair yang keluar dari makanan ketika penyimpanan. Cecair akan terkumpul di bawah jaringan tos.

Beg vakum berzip

Untuk penyimpanan makanan di bawah vakum dengan tujuan memanjangkan tempoh kesegaran dan jangka hayat makanan, memerap atau memanaskan semula di dalam ketuhaar gelombang mikro.

Hanya gunakan beg vakum berzip yang asli dari Bosch.

Memasak dengan teknik Sous-vide

Teknik masakan Sous-vide bermaksud makanan „dimasak dalam vakum“ pada suhu rendah.

⚠ Risiko kesihatan!

Dalam penyediaan makanan secara teknik sous-vide, arahan penggunaan dan kebersihan berikut mesti diikuti:

- Gunakan hanya bahan segar daripada kualiti yang terbaik.
- Basuh dan disinfeksi tangan. Gunakan sarung tangan pakai buang atau penyepit dapur / barbeku.
- Bahan makanan segar kritikal seperti Ayam, telur dan ikan perlu diberi perhatian khusus.
- Sentiasa basuh dan / atau kupas sayur-sayuran dan buah-buahan.
- Sentiasa menjaga kebersihan permukaan kerja dan papan memotong. Gunakan papan memotong yang berlainan untuk jenis makanan yang berbeza.
- Patuhi rantaian penyejukan. Rantaian ini hanya boleh diberhentikan untuk seketika dalam penyediaan makanan dan simpan semula makanan yang di vakum di dalam peti sejuk sebelum memulakan proses masakan.
- Makanan ini hanya sesuai untuk terus dimakan dengan segera. Selepas selesainya proses masakan, terus makan makanan tersebut dan jangan disimpan terlalu lama walaupun di dalam peti sejuk. Makanan ini tidak sesuai untuk dipanaskan semula.

- Jangan memasak makanan ini di dalam bekas ataupun bungkusannya (cth. potongan ikan). Bekas atau bungkusannya ini tidak sesuai untuk dimasak dengan teknik Sous-vide.
- Sebaiknya, letakkan makanan di dalam beg secara bersebelahan dan bukan secara bertindih.
- Kami mencadangkan agar injap tidak direndam di dalam air.

Untuk penghasilan secara profesional dalam memasak dengan teknik sous-vide, kami mengesyorkan laci vakum Bosch.

Penggunaan

⚠ Perhatian!

- Pasang dan tanggalkan aksesori hanya apabila pemacu berhenti dan bekalan kuasa diputuskan.
- Jangan guna pengadun tangan lebih dari 10 minit dengan pam vakum. Akhir sekali, matikan unit asas berserta dengan pam vakum dan biarkan ia menyejuk.
- Penyimpanan dalam vakum bukanlah pengganti untuk menyimpan makanan di dalam peti sejuk atau peti sejuk beku.
- Sila biarkan makanan menyejuk dahulu sebelum di vakum.

Pemasangan pam vakum

→ Rajah B

- Letakkan tapak pengadun pada unit asas dan kunci kedudukannya.

Pembukaan pam vakum


→ Rajah C

- Tekan kedua-dua butang pelepas pada pam vakum dan tanggalkan unit asas.

Memvakum bekas simpanan

→ Susunan rajah D

1. Isikan bahan makanan yang telah disediakan ke dalam bekas yang bersesuaian. Beri perhatian pada tanda **max**.

2. Pastikan pengedap penutup diletakkan dengan betul. Letakkan penutup dan tutup ketatkan dengan klip penutup. Tetapkan tarikh dengan dua cincin penanda tarikh di penutup.
3. Tekan unit asas dengan pam vakum ke penutup bekas vakum dan ketatkan kedudukannya.
4. Tekan butang turbo . Perkakas akan hidup selagi butang ditekan.
5. Pam vakum akan menyedut udara keluar dari bekas tersebut. Apabila penunjuk melonjak ke dalam, keadaan vakum telah tercapai.
6. Lepaskan butang.
7. Alihkan unit asas daripada bekas tersebut. Cabut palam kuasa.

Catatan: Simpan bekas yang di vakum dengan penutupnya menghadap ke atas.

Memvakum beg berzip

→ Susunan rajah

1. Masukkan bahan makanan ke dalam beg.

Catatan: Jangan mengisi beg secara berlebihan. Kawasan penutup vakum mesti sentiasa bersih. Perhatian khas diperlukan semasa memvakum makanan berair, lembap atau yang diperap.


2. Letakkan beg di atas permukaan yang rata. Udara keluarkan secara perlahan-lahan dari beg dan tutup rapat keseluruhan penutup zip.

Catatan: Semasa menyedut makanan berair, lembap atau yang diperap, biarkan beg vakum berzip tergantung dari atas meja kerja. Penutup vakum mesti berada di bahagian atas meja kerja.

→ Susunan rajah

Penting!

- Kandungan beg tidak boleh melebihi garis penanda **max**.
- Kedua-dua elemen pengedap dan di sekitar garis penanda **max** mestilah bersih.

- Sekiranya penutup zip tidak bersih dan ditutup sepenuhnya, keadaan vakum tidak akan dapat dibuat.
3. Tekan unit asas dengan pam vakum ke penutup bekas vakum dan tetapkan kedudukannya.
 4. Tekan butang turbo . Perkakas akan hidup selagi butang ditekan.
 5. Pam vakum akan menyedut udara keluar dari bekas tersebut. Ini menyebabkan beg menguncup dan meliputi kandungannya.
 6. Setelah beg mencapai vakum secukupnya, lepaskan suis.

Catatan: Perhatikan sama ada cecair keluar dan ketika menghampiri garis tanda **max**. Lepaskan suis sebelum cecair melepasi garis penanda **max**.

7. Alihkan unit asas daripada bekas tersebut. Cabut palam kuasa.

Membuka bekas simpanan atau beg berzip

→ Rajah

- Untuk membuka bekas simpanan, pegang penutup vakum pada salah satu hujung dan tarik ke atas. Penutup hanya akan terbuka apabila udara telah memenuhi dalaman bekas dengan mencukupi.
- Buka klip penutup dan alihkan penutup bekas.

→ Rajah

- Untuk membuka beg, tarik zip untuk membuka beg tersebut sepenuhnya.
- Selepas digunakan, beg vakum berzip mesti dibersihkan dengan teliti dan dikeringkan sepenuhnya.

Pembersihan dan penjagaan

Alatan perkakas dan segala bahagian yang telah digunakan mesti dibasuh dengan teliti selepas setiap penggunaan.

Perhatian!

- Jangan gunakan agen pembersih yang mengandungi alkohol.
- Jangan menggunakan objek tajam, berbucu atau logam.
- Jangan gunakan kain atau agen pembersih yang kasar.
- Jangan sesekali merendam pam vakum ke dalam air dan jangan mencuci di bawah air yang mengalir atau di dalam mesin pencuci pinggan.
- Bersihkan setiap bahagian dengan segera selepas digunakan. Dengan itu sisa makanan yang kering tidak akan memberi kesan pada bahan sintetik (contohnya melalui bahan berminyak di dalam rempah).
- Semasa memproses sebagai contoh lobak merah, ia boleh menyebabkan perubahan warna pada bahagian plastik, yang boleh dihilangkan dengan beberapa titis minyak masak.

Rajah 1 adalah gambaran bagaimana bahagian alatan dicuci.

- Bersihkan pam vakum dengan kain yang lembab dan keringkan.
- Bersihkan bahagian aksesori lain dengan air sabun dan kain lembut atau span atau masukkan ke dalam mesin pencuci pinggan.
- Beg vakum berzip mesti dibersihkan dengan teliti dan dikeringkan sepenuhnya. Beg yang telah digunakan untuk menyimpan daging, ikan atau ayam mentah tidak boleh digunakan semula.
- Tanggalkan penutup pengedap untuk dibersihkan. → **Rajah 2**

Tanggalkan cincin pelaras

→ **Susunan rajah 3**

Cincin pelaras di penutup bekas vakum dapat dibuka untuk pembersihan secara menyeluruh.

1. Masukkan pemutar skru kecil ke salah satu daripada dua potongan di gelang pengunci dan lepaskan cincin dengan berhati-hati dengan tekanan ringan.
2. Tanggalkan gelang pengunci dan cincin pelaras, seperti yang digambarkan. Bersihkan dan keringkan semua bahagian dengan teliti.
3. Pasang semula cincin pelaras mengikut urutan yang ditunjukkan. Masukkan gelang pengunci dan tekanan sehingga ia masuk pada tempatnya.

Aksesori

Aksesori dan bahagian gantian boleh dibeli di kedai jualan dan daripada khidmat pelanggan. Oleh kerana rangkaian produk terus berkembang, berkemungkinan terdapat aksesori lain yang tidak disenaraikan di sini. Layari kami di www.bosch-home.com, untuk melihat, aksesori semasa yang ditawarkan.

Aksesori	
MSZV0FC3	3 Bekas simpanan 0.9l / 1.2l / 1.7l
MSZV0FC2	2 Bekas simpanan 1.2 l
MSZV0FB1	10 Beg kecil, 1.2 l
MSZV0FB3	10 Beg besar, 3.8 l
MMZV0BT1*	Botol-Untuk-Dibawa (0.5 l)
MMZV0SB0*	Bekas, bulat (0.75 l)
MMZV0SB1*	Bekas, bulat (1.5 l)
MMZV0SB2*	2 Bekas, bulat (0.75 l dan 1.5 l)

* Aksesori ini telah direka untuk pengadun vakum **VitaPower**, tetapi serasi dengan sistem vakum **ErgoMixx** dan **MaxoMixx Fresh**.

Bekas simpanan bulat MMZV0S.. tidak mempunyai penanda vakum. Tempoh masa untuk vakum adalah selama 45 saat.

Kemungkinan terdapat perubahan.

Penyelesaian masalah

Penyelesaian untuk masalah atau gangguan boleh didapati di jadual berikut, yang dengan mudah dapat diselesaikan sendiri. Jika masalah atau gangguan tersebut berterusan, sila hubungi khidmat pelanggan.

Masalah	Kemungkinan punca	Langkah-langkah penyelesaian
Tiada vakum yang dapat dihasilkan di dalam bekas simpanan.	Penutup tidak ditutup dengan rapat/tidak sempurna.	<ul style="list-style-type: none"> ■ Periksa klip. Tutup klip dengan sempurna.
	Pengedap penutup tidak diletakkan dengan betul.	<ul style="list-style-type: none"> ■ Letakkan pengedap penutup dengan betul.
	Terdapat kerosakan atau kekotoran pada pengedap penutup atau penutup.	<ul style="list-style-type: none"> ■ Periksa penutup dan pengedap penutup terhadap kerosakan. ■ Periksa samada semua bahagian bersih dan kering terutama sekali bahagian pengedap. ■ Bersihkan semua bahagian dengan teliti dan keringkan. → <i>“Pembersihan dan penjagaan” lihat halaman 14</i>
Tiada vakum yang dapat dihasilkan di dalam beg vakum berzip.	Penutup zip tidak ditutup dengan sempurna.	<ul style="list-style-type: none"> ■ Penutup zip perlu ditutup dengan sempurna.
	Terdapat kekotoran atau kerosakan pada penutup zip atau penutup vakum.	<ul style="list-style-type: none"> ■ Periksa samada semua bahagian pengedap adalah bersih. ■ Bersihkan semua bahagian dengan teliti dan keringkan. → <i>“Pembersihan dan penjagaan” lihat halaman 14</i>
	Beg vakum berzip rosak.	<ul style="list-style-type: none"> ■ Periksa beg vakum berzip terhadap kerosakan. Jika terdapat kerosakan, gunakan beg vakum berzip yang lain. → <i>“Aksesori” lihat halaman 15</i>
Keadaan vakum di dalam beg vakum berzip tidak bertahan lama.	Kerosakan seperti lubang boleh terhasil akibat daripada bahan makanan yang tajam di dalam barang beg vakum tersebut (cth. tulang).	<ul style="list-style-type: none"> ■ Sekiranya kerosakan boleh disebabkan oleh bahagian tajam pada makanan yang akan di vakum, susun dan pastikan bahagian tajam tersebut tidak menyentuh dinding beg supaya ia tidak rosak.

使用須知

本配件需與調理棒 ErgoMixx 和 MaxoMixx 搭配使用。請注意調理棒的使用說明書。切勿將本配件用於其他機器。僅限使用相關零件。本配件適用於將 Bosch 夾鏈袋和保鮮盒真空密封。本配件僅適用於本說明書中所述的應用。

重要安全須知

⚠ 窒息的危險!

- 請確保孩童遠離真空夾鏈袋。
- 切勿讓孩童用真空夾鏈袋玩耍。

⚠ 注意!

- 只有在機器完全停止,且已拔下電源插頭的情況下,才可安裝或取下配件。
- 請勿空轉機器。
- 請勿將真空幫浦浸泡在液體中,也不要在水龍頭下用水沖洗或放入洗碗機洗滌。
- 所有配料必須完全乾淨衛生。處理時請注意廚房衛生的規定。
- 進行真空密封之前,請務必讓食物冷卻。
- 即使已經保存食物,也要檢查其品質。請勿使用品質受到懷疑的食物。

⚠ 重要!

- 切勿讓尖銳、鋒利或金屬物體接觸密封元件。
- 真空保鮮盒和真空夾鏈袋可在洗碗機和冷凍櫃中安全使用。
- 真空保鮮盒或袋中的食材最多可在微波爐中以 900 瓦的功率加熱 90 秒。放入微波爐使用之前,請先取下真空保鮮盒蓋或將袋子打開。
- 真空保鮮盒和真空夾鏈袋可在 -18 °C 至 85 °C 的溫度範圍內安全使用。
- 用來存放生肉、魚或家禽的保鮮袋不能重複使用。
- 請於每次使用後或長時間未使用重新使用之前,務必徹底清潔本配件。X “清潔和保養” 參見第 20 頁

產品一覽

→ 圖 A

- 1 真空幫浦
 - a 真空閥
 - b 主機接口
- 2 真空保鮮盒 *
 - a 標有 **max**(最大)標記的保鮮盒
 - b 滴水盤 *
 - c 盒蓋
 - d 密封扣夾
 - e 真空封口
 - f 真空指示器
 - g 日期設定撥環(日/月)
 - h 盒蓋墊圈
- 3 真空夾鏈袋 *
 - a 夾鏈袋封口
 - b **max**(最大)標線
 - c 真空封口

* 視型號而定

第一次使用前

使用新配件之前，請先將包裝完全拆開，清潔並檢查是否完好未損壞。

⚠ 注意!

請勿運行損壞的配件!

- 檢查所有零件是否完整以及是否有明顯損壞現象。→ 圖 A
- 第一次使用前，請先徹底清潔並晾乾所有零件。→ “清潔和保養” 參見第 20 頁

零件和控件

Tritan 真空保鮮盒

為了在真空環境下保存食物以延長內含食物的新鮮度和保存期，可以將其進行醃製或在微波爐中重新加熱。

Tritan 是一種防碎、無氣味、無異味的合成材料。

在微波爐中使用真空保鮮盒之前，請先取下盒蓋。

具有真空封口的盒蓋

用於真空保鮮盒的氣密封封。

真空保鮮盒的盒蓋配備**真空指示器**。如指示器明顯向內凹陷，即表示已達到真空狀態。

如需在存有真空的情況下取下盒蓋，請先握住**真空封口**的一端，然後向上拉。必須先讓足夠多的空氣進入保鮮盒內才能將盒蓋打開。

真空保鮮盒的盒蓋配備**日期指示器**。可以轉動兩個撥環來設定食物的添加日期和月份。

滴水盤

滴水盤用於在保存期間將食物與析出的汁液分開。汁液將被收集在滴水盤的下方。

真空夾鏈袋

為了在真空環境下保存食物以延長內含食物的新鮮度和保存期，可以將其進行醃製或準備真空低溫烹調。

僅限使用 Bosch 原廠的真空夾鏈袋。

真空低溫烹調

真空低溫烹調是指在低溫下進行「真空」烹調。

⚠ 健康風險!

準備將食物進行真空低溫烹調時，務必遵循以下使用和衛生提示說明：

- 僅限使用品質最佳、無瑕疵的新鮮食材。
- 洗淨並消毒雙手。使用一次性手套或廚用 / 燒烤夾。
- 家禽類、雞蛋和魚類等 關鍵食材在製作上應特別留意。
- 請徹底洗淨蔬菜和水果和 / 或去皮。
- 保持流理台和切菜板乾淨。針對不同種類的食材，請使用不同的切菜板。
- 全程保持低溫。將食物短暫取出進行處理，真空處理好的食材應立即放回冰箱，待需要開始蒸煮時才取出。
- 烹調好的菜餚只適合立即食用。請立即享用所有蒸煮好的食材，切勿長時間放置或再放回冰箱保存。它們不適合重複加熱後食用。
- 請勿直接使用購買食材時所使用的包裝袋進行蒸煮(例如分裝好的魚肉)。此類包裝袋並不適合用於真空低溫烹調。
- 如有可能，請將食材並排放置在袋中，請勿堆疊在一起。
- 我們建議勿將閥門浸入水中。

為了在真空低溫烹調下獲得專業的效果，我們推薦使用 Bosch 的真空抽屜。

使用

⚠ 注意!

- 只有在機器完全停止運行,且已拔下電源插頭的情況下才可安裝或取下真空幫浦。
- 請勿將調理棒與真空幫浦一起使用超過 10 分鐘。然後讓主機和幫浦冷卻。
- 真空保存不能代替冰箱或冰櫃的食物存放功能。
- 進行真空密封之前,請務必讓食物冷卻。

安裝真空幫浦

→ 圖 B

- 將真空幫浦安裝並鎖定在主機上。

取下真空幫浦

→ 圖 C

- 按壓兩個釋放按鈕並從主機上取下真空幫浦。

真空密封真空保鮮盒

→ 接圖 D

1. 將準備或製作好的食材放在適當的真空保鮮盒內。對此請注意 **max**(最大)標記。
2. 確保妥善插入盒蓋墊圈。蓋上盒蓋,然後用密封扣夾將其緊密封住。使用盒蓋上的兩個撥環設定日期。
3. 將主機連同真空幫浦按壓到真空保鮮盒的真空封口上並加以固定。
4. 按下脈衝按鈕 **Ⓢ**。只要此按鈕被按住,本機就一直處於開機狀態。
5. 真空幫浦會將空氣從真空保鮮盒中抽出。如指示器明顯向內凹陷,即表示已達到真空狀態。
6. 放開按鈕。
7. 將主機連同真空幫浦從真空保鮮盒上取下。拔下電源插頭。

注意:保存經真空密封的保鮮盒時,盒蓋應朝上。

真空密封真空夾鏈袋

→ 接圖 E

1. 將食物添加到夾鏈袋中。

注意:請勿將夾鏈袋填裝過滿。真空封口的區域必須保持乾淨。真空密封多汁、有水份或醃製的食材時,需要特別留意。

2. 將夾鏈袋平放。稍微將空氣從夾鏈袋中推出,將整個夾鏈袋封口緊密封住。

注意:真空密封多汁、有水份或醃製的食材時,應將真空夾鏈袋懸掛在工作台上。確保真空封口位於流理台表面。→ 接圖 F

重要!

- 內容物不得超過 **max**(最大)標線。
 - 密封元件和 **max**(最大)標線以外的區域都必須乾淨。
 - 若夾鏈袋封口不乾淨且未完全封住,則不會產生真空。
3. 將主機連同真空幫浦按壓到真空夾鏈袋的真空封口上並加以固定。
 4. 按下脈衝按鈕 **Ⓢ**。只要此按鈕被按住,本機就一直處於開機狀態。
 5. 真空幫浦會將空氣從真空夾鏈袋中抽出。此舉會使真空夾鏈袋收縮並密封住內容物。
 6. 當真空夾鏈袋充分完成真空密封時,放開按鈕。

注意:應加以留意是否有汁液排出並接近 **max**(最大)標線。汁液超過 **max**(最大)標線之前應放開按鈕。

7. 將主機連同真空幫浦從真空保鮮盒上取下。拔下電源插頭。

打開真空保鮮盒或真空夾鏈袋

→ 圖 G

- 如需打開真空保鮮盒,請握住真空封口的一端,然後向上拉。必須要有足夠的空氣進入保鮮盒內。
- 打開密封扣夾,然後取下盒蓋。

→ 圖 H

- 如需打開真空夾鏈袋,請拉開夾鏈袋封口並將其完全打開。
- 使用過後,真空夾鏈袋必須仔細清潔並完全晾乾。

清潔和保養

每次使用完本機和用過零部件後應將其徹底清潔。

注意!

- 請勿使任何含酒精或苯的清潔劑。
- 切勿使用尖銳、鋒利或金屬物體。
- 請勿使用摩擦型布或清潔劑。
- 請勿將真空幫浦浸泡在液體中,也不要在水龍頭下用水沖洗或放入洗碗機洗滌。
- 所有零部件在使用過後應立即清潔。如此殘留物才不會變乾且黏在塑膠件上(例如調味料中的香精油)。
- 胡蘿蔔可能導致塑膠零件變色,使用幾滴食用油即可清除這類變色。

可在圖 J 中瀏覽清潔各個零件的方式。

- 用濕布清潔並晾乾真空幫浦。
- 請用洗碗液和軟布或海綿清潔其他配件零件,或放入洗碗機洗滌。
- 重複使用的真空夾鏈袋必須仔細清潔並完全擦乾。用來存放生肉、魚或家禽的夾鏈袋不應重複使用。
- 取下盒蓋墊圈進行清潔。→ 圖 J

取下設定撥環

→ 接圖 II

可以將真空保鮮盒蓋的設定撥環取下,以便進行徹底清潔。

1. 將小螺絲起子插入安全環的其中一個凹槽(共兩個)中,並稍微用力將安全環小心撬出來。
2. 如圖所示,取下安全環和設定撥環。徹底清潔並晾乾所有零件。
3. 按所示的順序插入設定撥環。將安全環輕輕插入,直到其卡入到位。

配件

您可向經銷商或客戶服務購買配件或備用零件。隨著產品系列不斷擴大,目前此處可能有其他未列出的配件。因此,請您至 www.bosch-home.com,以獲得本公司所提供最新配件產品的資訊。

配件

MSZV0FC3	3 個真空保鮮盒 0.9 公升 / 1.2 公升 / 1.7 公升
MSZV0FC2	2 個真空保鮮盒 1.2 公升
MSZV0FB1	10 個小型夾鏈袋, 1.2 公升
MSZV0FB3	10 個大型夾鏈袋, 3.8 公升
MMZV0BT1*	隨行杯(0.5 公升)
MMZV0SB0*	保鮮盒, 圓形(0.75 公升)
MMZV0SB1*	保鮮盒, 圓形(1.5 公升)
MMZV0SB2*	2 個保鮮盒, 圓形 (0.75 公升和 1.5 公升)

* 本配件是為 Vita**Power** 真空調理棒所開發, 與 Ergo**Mixx** 和 Maxo**Mixx** 保鮮真空系統兼容。

圓形真空保鮮盒 MMZV0S.. 未配備真空指示器。真空密封時間為 45 秒。

保留資料隨時更改的權利。

處理故障

您可於下表中查看可以自行輕鬆解決問題或故障的方法。若無法按上述步驟排除故障，請與客戶服務聯絡。

問題	可能的原因	補救措施
真空保鮮盒內無法產生真空。	盒蓋未正確／完全蓋上。	■ 檢查密封扣夾。正確合上密封扣夾。
	盒蓋墊圈安裝不當。	■ 正確放置盒蓋墊圈。
	盒蓋或密封元件變髒或損壞。	■ 檢查盒蓋、真空封口及盒蓋墊圈是否損壞。 ■ 檢查所有零件是否乾淨，尤其是密封元件。 ■ 徹底清潔並晾乾。→ “清潔和保養” 參見第 20 頁
真空夾鏈袋內無法產生真空。	夾鏈袋封口未完全緊閉。	■ 將整個夾鏈袋封口緊密封住。
	夾鏈袋封口或真空封口變髒或損壞。	■ 檢查密封元件是否乾淨。 ■ 徹底清潔並晾乾。→ “清潔和保養” 參見第 20 頁
	真空夾鏈袋受損。	■ 檢查真空夾鏈袋是否損壞。若有損壞，請使用其他真空夾鏈袋。→ “配件” 參見第 20 頁
真空夾鏈袋中的真空不會存留。	真空密封的食材有尖銳的部份(例如骨頭)可能戳破真空夾鏈袋造成破洞。	■ 若真空密封的食材有尖銳的邊緣進而造成真空夾鏈袋損壞時，請將尖銳的邊緣放置在真空拉夾鏈袋的袋壁，才能避免造成損壞。

使用范围

本附件需与 ErgoMixx 及 MaxoMixx 多功能搅拌棒搭配使用。请注意多功能搅拌棒的使用说明书。切勿将本附件用于其他机器。仅限使用相关部件。本附件适用于将 Bosch 真空拉链袋和真空保鲜盒进行真空封存。

本附件仅适用本说明书中所述的应用。

安全注意事项

窒息危险!

- 请让孩童远离真空拉链袋。
- 切勿让孩童用真空拉链袋玩耍。

注意!

- 只有在本机器完全停止运行,且已拔下电源插头的情况下,才可安装或取下附件。
- 请勿空转机器。
- 请勿将真空泵浸泡在液体中,也不要在水龙头下用水冲洗或放入洗碗机洗涤。
- 所有配料必须完全干净卫生。加工时请注意厨房卫生的规定。
- 必须等待食物冷却后才能进行真空封存。
- 即使已经保存食物,也要检查其质量。请勿使用质量可疑的食物。

重要!

- 切勿让任何锐利物品或金属物品接触密封元件。
- 真空保鲜盒和真空拉链袋可在洗碗机和冰箱中安全使用。
- 真空保鲜盒或袋中的食材最多可在微波炉中以 900 瓦的功率加热 90 秒钟。放入微波炉使用之前,请先取下真空保鲜盒盖或将袋子打开。
- 真空保鲜盒和真空拉链袋可在 -18 °C 至 85 °C 的温度范围内安全使用。
- 用来存放生肉、鱼或家禽的保鲜袋不能重复使用。
- 请于每次使用后或长时间未使用重新使用之前,务必彻底清洁本附件。→ “清洁和维护” 参见第 25 页

产品概览

→ 图 A

- 1 真空泵
 - a 真空阀
 - b 主机接口
- 2 真空保鲜盒 *
 - a 带 max(最大)标记的保鲜盒
 - b 接水盘 *
 - c 盒盖
 - d 密封扣夹
 - e 真空封口
 - f 真空指示器
 - g 日期设置拨环(日/月)
 - h 盒盖垫圈
- 3 真空拉链袋 *
 - a 拉链袋封口
 - b max(最大)标线
 - c 真空封口

* 视型号而定

首次使用前

使用新附件之前,请先将包装完全拆开,清洁并检查是否完好未损坏。

⚠ 注意!

请勿运行损坏的附件!

- 检查所有部件是否完整以及是否有明显损坏现象。→ 图 A
- 首次使用前,请先彻底清洁并晾干所有部件。→ “清洁和维护” 参见第 25 页

部件和控件

Tritan 真空保鲜盒

用于在真空下保存食物,以保持食物的新鲜度并延长食物的保质期,可腌制食物或在微波炉中加热食物。

Tritan 是一种防碎、无味、无臭的塑料。

将真空保鲜盒放入微波炉前,必须先取下盒盖。

带真空封口的盒盖

用于真空保鲜盒的气密封封。

真空保鲜盒的盒盖配备**真空指示器**。如指示器明显向内凹陷,即表示已达到真空状态。

如需在存有真空的情况下取下盒盖,请先握住**真空封口**的一端,然后向上拉。必须先让足够的空气进入真空保鲜盒内才能将盒盖打开。

真空保鲜盒的盒盖配备**日期指示器**。转动两个拨环即可设置装入食物的日期和月份。

接水盘

接水盘在保存过程中用于将食物与析出的汁液分开。汁液将被集中在接水盘的下方。

真空拉链袋

为了在真空环境下保存食物以延长内含食物的新鲜度和保质期,可以将其进行腌制或准备进行真空低温烹饪。

仅限使用 Bosch 原装的真空拉链袋。

真空低温烹饪

真空低温烹饪是指在低温下进行“真空”的烹饪法。

⚠ 健康风险!

准备将食物进行真空低温烹饪时,务必遵循以下使用和卫生注意事项:

- 仅限使用品质最佳、无瑕疵的新鲜食物。
- 洗净并消毒双手。使用一次性手套或厨用/烧烤夹。
- 家禽类、鸡蛋和鱼类等 关键食物在制备上应特别注意。
- 请彻底洗净蔬菜和水果和/或去皮。
- 保持工作台面和切菜板干净。针对不同种类的食物,请使用不同的切菜板。
- 全程保持低温。将食物短暂取出进行处理,真空封存好的食物应立即放回冰箱,待需要开始蒸煮时才取出。
- 烹调好的菜肴只适合立即食用。请立即享用所有蒸煮好的食物,切勿长时间放置或再放回冰箱保存。它们不适合重复加热后食用。
- 请勿直接使用购买食物时所使用的包装袋进行蒸煮(例如分装好的鱼肉)。此袋不适合用于真空低温烹饪。
- 如有可能,请将食物并排放置在袋中,请勿堆叠在一起。
- 我们建议勿将阀门浸入水中。

为了在真空低温烹饪下获得专业的效果,我们推荐使用 Bosch 的真空抽屉。

使用

⚠ 注意!

- 只有在本机完全停止运行,且已拔出电源插头的情况下,才可安装或取下真空泵。
- 请勿将多功能搅拌棒与真空泵一起使用超过 10 分钟。然后让主机和泵冷却。
- 真空封存不能代替冷藏箱或冷冻箱的食物存放功能。
- 必须等待食物冷却后才能进行真空封存。

安装真空泵

→ 图 B

- 将真空泵安装在主机上,并卡入到位。

取下真空泵

→ 图 C

- 按住两个释放按钮,然后将真空泵从主机上取下。

真空封存真空保鲜盒

→ 接图 D

1. 将准备好或烹饪好的食物放到合适的真空保鲜盒中。对此请注意 **max(最大)** 标记。
2. 请确保正确插入盒盖垫圈。盖上盒盖,用密封扣夹紧固。用盒盖上的两个拨环设置日期。
3. 将主机连同真空泵置于真空保鲜盒的真空封口上并加以固定。
4. 按住脉冲按钮 **Ⓢ**。只要此按钮被按住,本机器就会一直处于开机状态。
5. 真空泵会将真空保鲜盒的空气抽出。如真空指示器明显向内凹陷,即表示已达到真空状态。
6. 放开按钮。
7. 将主机连同真空泵一起从真空保鲜盒上取下。拔出电源插头。

注意事项: 保存经真空密封的保鲜盒时,盒盖应朝上。

真空封存真空拉链袋

→ 接图 E

1. 将食物填充到真空拉链袋中。

注意事项: 请勿将真空拉链袋填装过满。真空封口的区域必须保持干净。真空密封多汁、有水份或腌制的食物时,需要特别留意。

2. 将真空拉链袋平放。稍微地将空气从拉链袋中推出,将整个拉链袋封口紧密封住。

注意事项: 真空密封多汁、有水份或腌制的食物时,应将真空拉链袋悬挂在工作台上。确保真空封口位于工作台表面。→ 接图 F

重要!

- 拉链袋中的食物不得超过 **max(最大)** 标线。
 - 两个密封元件和 **max(最大)** 标线以外的区域都必须保持干净。
 - 如拉链袋封口不干净或未完全拉上,则无法产生真空。
3. 将主机连同真空泵置于真空拉链袋的真空封口上并加以固定。
 4. 按住脉冲按钮 **Ⓢ**。只要此按钮被按住,本机器就会一直处于开机状态。
 5. 真空泵会将真空拉链袋的空气抽出。此举会使真空拉链袋收缩并密封住内容物。
 6. 真空拉链袋达到充分真空后,放开按钮。
- 注意事项:** 如有汁液排出并接近 **max(最大)** 标线,应加以留意。请在汁液超过超过 **max(最大)** 标线前放开按钮。
7. 将主机连同真空泵一起从真空保鲜盒上取下。拔出电源插头。

打开真空保鲜盒或真空拉链袋

→ 图 G

- 如需打开真空保鲜盒,请握住真空封口的一端并向上拉。必须有足够的空气进入保鲜盒。
- 打开密封扣夹,然后取下盒盖。

→ 图 H

- 如需打开真空拉链袋,请拉开拉链袋封口并将其完全打开。
- 使用过后,真空拉链袋必须仔细清洁并完全晾干。

清洁和维护

每次使用完本机器和用过零部件后应将其彻底清洁。

注意!

- 请勿使任何含酒精或苯的清洁剂。
- 切勿使用尖锐、锋利或金属物体。
- 请勿使用摩擦型的布或清洁剂。
- 请勿将真空泵浸泡在液体中,也不要在水龙头下用水冲洗或放入洗碗机洗涤。
- 所有部件在使用过后应立即清洁。如此食物残留物才不会变干,也不会破坏塑料部件(如调味料中的香精油)。
- 加工胡萝卜时,塑料部件可能会变色,此时只要涂抹几滴食用油即可清除。

可在图 J 中浏览清洁各个部件的方式。

- 用湿布清洁并晾干真空泵。
- 请用洗洁液和软布或海绵清洁其他附件部件,或放入洗碗机洗涤。
- 重复使用的真空拉链袋必须仔细清洁并完全擦干。用来存放生肉、鱼或家禽的真空拉链袋不应重复使用。
- 取下盒盖垫圈进行清洁。→ 图 J

取下设置拨环

→ 接图 II

可以取下真空保鲜盒盒盖上的设置拨环,以便进行彻底清洁。

1. 将小螺丝刀插入安全环的其中一个凹槽(共两个)中,并稍微用力将安全环小心撬出来。
2. 如图所示,拆下安全环和设置拨环。彻底清洁并晾干所有部件。
3. 按照所示的顺序插入设置拨环。稍微用力插入安全环,直到其卡入到位。

附件

您可向经销商或客户服务购买附件或备用零件。随着产品系列不断扩大,目前此处可能有其他未列出的附件。因此,请您访问 www.bosch-home.com, 以获得本公司所提供的最新附件产品信息。

附件	
MSZV0FC3	3 个真空保鲜盒 0.9 升 / 1.2 升 / 1.7 升
MSZV0FC2	2 个真空保鲜盒 1.2 升
MSZV0FB1	10 個小型拉鏈袋, 1.2 升
MSZV0FB3	10 個大型拉鏈袋, 3.8 升
MMZV0BT1*	随行杯(0.5 升)
MMZV0SB0*	保鲜盒, 圆形(0.75 升)
MMZV0SB1*	保鲜盒, 圆形(1.5 升)
MMZV0SB2*	2 个真空保鲜盒, 圆形 (0.75 升和 1.5 升)

* 本附件是专为 VitaPower 真空果蔬机所开发, 与 ErgoMixx 和 MaxoMixx 保鲜真空系统兼容。

圆形真空保鲜盒 MMZV0S.. 未配备真空指示器。真空密封时间为 45 秒。

保留随时更改的权利。

故障排除

您可于下表中查看可以自行轻松解决的问题或故障的方法。若上述建议无法解决您的问题, 请联系客户服务。

问题	可能的原因	故障排除方法
真空保鲜盒中未产生真空。	盒盖未正确/完全盖妥。	■ 检查扣夹。将扣夹妥善关上。
	盒盖垫圈未正确插入。	■ 将盒盖垫圈正确放置。
	盒盖或密封元件变脏或损坏。	<ul style="list-style-type: none"> ■ 检查盒盖、真空封口及盒盖垫圈是否损坏。 ■ 检查所有部件是否清洁干燥, 尤其是密封元件。 ■ 彻底清洁并晾干。→ “清洁和维护” 参见第 25 页
真空拉链袋中未产生真空。	真空拉链袋封口未完全关妥。	■ 将整个拉链袋封口紧密拉合。
	拉链袋封口或真空封口变脏或损坏。	<ul style="list-style-type: none"> ■ 检查密封元件是否清洁。 ■ 彻底清洁并晾干。→ “清洁和维护” 参见第 25 页
	真空拉链袋受损。	■ 检查真空拉链袋是否损坏。若有损坏, 请使用另一个真空拉链袋。→ “附件” 参见第 25 页
真空拉链袋中的真空无法持续存留。	真空封存的食材有尖锐的部份(例如骨头)可能戳破真空拉链袋造成破洞。	■ 若真空封存的食材有尖锐的边缘进而造成真空拉链袋损坏时, 请将尖锐的边缘放置在真空拉链袋的袋壁, 才能避免造成损坏。

التغلب على الخلل

تجد في الجدول التالي حلولاً للمشاكل أو الأعطال التي يمكنك معالجتها بنفسك بطريقة سهلة. إذا تعذّر التغلب على العطل، فاتصل من فضلك بمركز خدمة العملاء.

العطل	السبب المحتمل	إجراءات التصرف
لا يمكن توليد فراغ في خزان الحفظ.	الغطاء غير مركّب بشكل صحيح/كامل.	■ افحص المشابك. أغلق المشابك بشكل صحيح.
	سدادة الغطاء ليست مركّبة بصورة صحيحة.	■ اضبط وضعية سدادة الغطاء.
	الغطاء أو عناصر الإحكام متسخة أو متضررة.	■ افحص الغطاء وقفل التفريغ وسدادة الغطاء للكشف عن الأضرار. ■ افحص ما إذا كانت كافة الأجزاء نظيفة وجافة، وبخاصة عناصر الإحكام. ■ نظف جيداً واتركها تجف في الهواء. ← «التنظيف والعناية» انظر صفحة ar-4
لا يمكن توليد فراغ في كيس الضغط مفرّغ الهواء.	قفل الضغط ليس مغلقاً بالكامل.	■ أحكم إغلاق قفل الضغط على طول المسافة.
	قفل الضغط أو قفل التفريغ متسخ أو متضرر.	■ افحص ما إذا كانت عناصر الإحكام نظيفة. ■ نظف جيداً واتركها تجف في الهواء. ← «التنظيف والعناية» انظر صفحة ar-4
	الكيس المضغوط مفرّغ الهواء معطل.	■ افحص الكيس المضغوط مفرّغ الهواء للكشف عن الخلل. إذا كان الكيس متضرراً، فاستخدم كيساً مضغوطاً مفرّغ الهواء غيره. ← «الكماليات» انظر صفحة ar-5
لا يظل الفراغ في الكيس المضغوط مفرّغ الهواء قائماً.	يمكن أن تنشأ ثقبٌ بفعل الأجزاء الحادة في المواد المضغوطة تحت التفريغ (مثل العظام).	■ إذا حدثت أضرارٌ في المواد الموضوعة تحت التفريغ بفعل حواف حادة، فاضبط موضع الحواف الحادة في الكيس المضغوط مفرّغ الهواء، بحيث لا يمكن أن يتضرر جدار الكيس بفعل ذلك.

الكماليات

يمكن شراء قطع الغيار والملحقات عبر تاجر التجزئة أو خدمة العملاء. نظرًا لتوسيع قاعدة المنتجات بصورة مستمرة، يمكن في بعض الأحيان أن تظهر كماليات غير واردة هنا. لذلك قم بزيارة الموقع الإلكتروني www.bosch-home.com، لمتابعة قطع الكماليات الحالية المتوفرة في العرض.

الكماليات	
3 خزانات حفظ 0.9 لتر / 1.2 لتر / 1.7 لتر	MSZV0FC3
2 خزانات حفظ 1.2 لتر	MSZV0FC2
10 أكياس صغيرة، 1.2 لتر	MSZV0FB1
10 أكياس كبيرة، 3.8 لترات	MSZV0FB3
زجاجة محمولة (0.5 لتر)	MMZV0BT1*
خزان، (حوالي 0.75 لتر)	MMZV0SB0*
خزان، (حوالي 1.50 لتر)	MMZV0SB1*
2 خزان، حوالي (0.75 لتر و1,5 لتر)	MMZV0SB2*

* لقد طُور هذا الملحق خصيصًا لخلاط التفريغ فيتا ماكس (VitaPower)، لكنه متوافق مع نظام التفريغ إرجو مكس (ErgoMixx) وماكسو مكس فريش (MaxoMixx Fresh).

خزانات الحفظ المستديرة.. MMZV0S لا تحتوي على مؤشر تفريغ. وتبلغ مدة التفريغ 45 ثانية.

نحتفظ بحقنا في إجراء أية تعديلات.

هام!

- يجب ألا يتجاوز المحتوى خط العلامة **max**.
- يجب الحفاظ على نظافة كلا عنصرَي الإحكام وعلى المنطقة الأخرى من خط العلامة **max**.
- عندما لا يكون قفل الضغط نظيفاً ومغلقاً تماماً، لا يمكن توليد فراغ.
- 3. اضغط الجهاز الأساسي بمضخة التفريغ على قفل التفريغ للكيس وأحكم التثبيت.
- 4. اضغط على زر تربو ①. يظل الجهاز مشغلاً، طالما أن الزر مضغوط.
- 5. تشفط مضخة التفريغ الهواء من الكيس. من خلال ذلك ينكمش الكيس ويحيط بالمحتوى.
- 6. عندما يُفْرَغ الكيس بما يكفي، اترك الزر. إشارة: يلزم الانتباه إلى إمكانية تسرب السائل والاقتراب من خط العلامة **max**. اترك الزر، قبل أن يتجاوز السائل خط العلامة **max**.
- 7. فك الجهاز الأساسي مع مضخة التفريغ من الخزان. انزع القابس الكهربائي.

افتح الخزان أو كيس الضغط**← صورة G**

- لفتح خزان ما تَبَّت قفل التفريغ عند إحدى النهايتين وأسحبه إلى الأعلى. يجب أن يصل هواء كافٍ إلى الخزان.
- افتح مشابك القفل وفك الغطاء.

← صورة H

- لفتح الكيس أبعد طرفي قفل الضغط أحدهما عن الآخر وافتحه بالكامل.
- بعد الاستخدام يجب تنظيف الأكياس المضغوطة مفرّغة الهواء بعناية وتجفيفها بالكامل.

التنظيف والعناية

يجب تنظيف الجهاز وجميع القطع المستخدمة جيداً بعد كل استخدام.

تنبيه!

- لا تستخدم منظفات تحتوي على الكحول أو المواد الروحية.
- لا تستخدم أي أغراض معدنية حادة أو مدببة في التنظيف.
- لا تستخدم أي قماش جليخ أو منظفات سنبرة.
- لا تعمر مضخة التفريغ في سوانل مطلقاً ولا تنظفها بالماء الجاري أو في غسلالة الأطباق.

- احرص على تنظيف الأجزاء بعد الانتهاء من استخدامها على الفور. هذا يحول دون جفاف البقايا ودون تعرض الأجزاء المصنوعة من البلاستيك للضرر (على سبيل المثال بفعل الزيوت الأثيرية الموجودة في البهارات).
- عند التعامل مثلاً مع الجزر يحدث تغيرات في لون الأجزاء البلاستيكية، هذه التغيرات يمكن إزالتها باستخدام بعض قطرات زيت الطعام.

الشكل J يقدّم نظرة عامة حول كيفية تنظيف الأجزاء المفردة.

- نظّف مضخة التفريغ باستخدام قطعة قماش رطبة وجفّفها.
- قم بتنظيف أجزاء الكماليات الأخرى بمحلول صابوني وقطعة قماش ناعمة أو إسفنجية أو ضعها في غسلالة الأطباق.
- الأكياس المضغوطة مفرّغة الهواء، التي يُعاد استخدامها، يجب تنظيفها بعناية وتجفيفها بالكامل. يجب ألا يُعاد استخدام الأكياس، التي سبق استخدامها لتخزين اللحوم أو الأسماك أو الدواجن النيئة.
- أزل سداة الغطاء من أجل التنظيف.

← صورة J**انتزاع حلقات الضبط****← متواليّة الصور I**

- يمكن انتزاع حلقات الضبط في غطاء خزان الفراغ من أجل تنظيف دقيق.
- 1. أدخل مفكاً صغيراً في واحدٍ من كلا التجويفين لحلقة الأمان وارفع الحلقة بضغطةٍ خفيفةٍ بحذر إلى الخارج.
- 2. انتزع حلقة الأمان وحلقات الضبط كما هو مبين. نظف كافة الأجزاء جيداً وجفّفها.
- 3. ركب حلقات الضبط في الترتيب المصوّر. ركب حلقة الأمان بضغطةٍ خفيفة، إلى أن تتعشق.

خلع مضخة التفريغ

← الصورة G

- اضغط على زري التحرير باستمرار وانتزع مضخة التفريغ من الجهاز الأساسي.

تفريغ الهواء من الخزان

← متوالية الصور D

1. عبئ المواد الغذائية المجهزة أو المحضرة في الخزان ذي الصلة. يجب مراعاة العلامة **max** أثناء ذلك.
2. تأكد أن سداة الغطاء موضوعة بشكل صحيح. ركب الغطاء وأحكم الإغلاق باستخدام مشابه الإغلاق. اضبط التاريخ بواسطة الحلقتين على الغطاء.
3. اضغط الجهاز الأساسي بمضخة التفريغ على قفل التفريغ للخزان وأحكم التثبيت.
4. اضغط على زر تربو (T). يظل الجهاز مشغلاً، طالما أن الزر مضغوط.
5. تشفط مضخة التفريغ الهواء من الخزان. عندما يتقوَس بيان التفريغ بصورة مرئية إلى الداخل، يكون التفريغ قد تحقق.
6. اترك الزر.
7. فك الجهاز الأساسي مع مضخة التفريغ من الخزان. انزع القابض الكهربائي.

تفريغ الهواء من الكيس المضغوط

← متوالية الصور E

1. عبئ المواد الغذائية في الكيس. إشارة: لا تملء الكيس فوق سعته. يجب الإبقاء على نظافة نطاق قفل التفريغ. يلزم وجود عناية خاصة عند تفريغ المواد الغذائية العصائرية أو الرطبة أو المتبلّة.
2. ضع الكيس على سطح مستو. اضغط الهواء بخفة من داخل الكيس وأغلق قفل الضغط بإحكام على الطول الكامل.

- إشارة: عند تفريغ الهواء من مواد غذائية عصائرية أو رطبة أو متبلّة، اترك الكيس المضغوط مفرغ الهواء ليتبدل من لوح العمل إلى الأسفل. يجب أن يتواجد قفل التفريغ على الجهة العلوية من لوح العمل.

← صورة F

- حافظ دائماً على نظافة الاسطح وألواح التقطيع. استخدم ألواح تقطيع مختلفة مع المواد الغذائية المختلفة.

- التزم بسلسلة التبريد. لا تقطعها إلا لفترة قصيرة فقط من أجل تحضير الأطعمة وقم بتخزين الأطعمة المفرّغة بعد ذلك في الثلاجة مرة أخرى قبل البدء في عملية الطهي.

- الأطعمة مناسبة فقط للطهي الفوري. بعد الانتهاء من عملية الطهي، تناول الأطعمة على الفور ولا تقم بتخزينها لفترة أطول، ولا حتى في الثلاجة. فهي غير مناسبة لإعادة التسخين.

- لا تقم بطهي الأطعمة في الأكياس التي اشتريتها فيها (على سبيل المثال الأسماك المقسمة). فهذه الأكياس غير مناسبة للطهي داخل أكياس مفرغة من الهواء.

- ضع قطع الطعام في الكيس بجانب بعضها البعض قدر الإمكان وليس فوق بعضها البعض.

- نحن نوصي بعدم إغراق الصمام في الماء.

- نحن نوصي بدرجة التفريغ بوش من أجل نتائج احترافية عند الطهي في أكياس مفرغة من الهواء.

الاستخدام

⚠ تنبيه!

- يجب عدم تركيب أو انتزاع مضخة التفريغ إلا عندما يكون الجهاز في وضع السكون التام ويكون قابس الجهاز قد تم إخرجه من مقبس التغذية بالكهرباء.
- لا تستخدم ساق الخلاط أطول من 10 دقائق مع مضخة التفريغ. بعد ذلك اترك الجهاز الأساسي والمضخة ليبرد.
- إن الحفظ تحت التفريغ ليس بديلاً عن حفظ المواد الغذائية في الثلاجة أو المبرد.
- اترك المواد الغذائية تبرد دائماً قبل تفريغ الهواء.

تركيب مضخة التفريغ

← الصورة B

- ضع مضخة التفريغ على الجهاز الأساسي وعشقه في موضعه.

نظرة عامة

← الصورة A

1 مضخة التفريغ

a صمام التفريغ

b وصلة للجهاز الأساسي

2 خزان الحفظ *

a خزان ذو علامة max

b شبكة تنقيط *

c غطاء

d مشابك إغلاق

e قفل تفريغ

f بيان التفريغ

g حلقات ضبط للتاريخ (اليوم/الشهر)

h سداة الغطاء

3 الكيس المضغوط مفرغ الهواء *

a قفل الضغط

b خط العلامة max

c قفل تفريغ

* على حسب الطراز

الغطاء ذو قفل التفريغ

لإغلاق الخزانات بإحكام ضد الهواء.

تكون أغلبية خزانات الحفظ مزودة ببيان للتفريغ. عندما يتقوس البيان بصورة مرئية إلى الداخل، يكون التفريغ قد تحقق.

ولخلع غطاء في حالة وجود فراغ قائم، أمسك بقفل التفريغ من نهايته واجذبه إلى الأعلى. يجب أن تصل كمية كافية من الهواء إلى الداخل لتسهيل إمكانية فك الغطاء.

وتكون أغلبية خزانات الحفظ مزودة ببيان للتاريخ.

من خلال إدارة كلا الحلقتين يمكن ضبط اليوم والشهر، الذين تم فيهما تعبئة المواد الغذائية.

شبكة التنقيط

تفيد شبكة التنقيط في فصل المواد الغذائية أثناء التخزين عن أية سوائل متسربة. تتجمع السوائل تحت شبكة التنقيط.

الكيس المضغوط مفرغ الهواء

لحفظ المواد الغذائية تحت التفريغ، لإطالة طراوة المواد الغذائية المعبأة وصلابيتها، لتبيلها أو لإعدادها من أجل الطهي في أكياس مفرغة من الهواء. لا تستخدم إلا الأكياس المضغوطة مفرغة الهواء الأصلية من بوش.

الطهي في أكياس مفرغة من الهواء

الطهي داخل أكياس مفرغة من الهواء معناه الطهي «في ظل التفريغ» في درجات حرارة منخفضة.

⚠ خطر على الصحة!

أثناء تحضير المواد الغذائية من أجل الطهي في أكياس مفرغة من الهواء يجب بالضرورة اتباع إرشادات الاستخدام والنظافة التالية دائماً:

- اقتصر على استخدام الأطعمة الطازجة ذات أعلى مستوى جودة والسليمة تماماً.
- اغسل الأيدي وعقمها. استخدم قفازات تُستخدم لمرة واحدة أو ماسك (ماشنة) للطهي/الشواء.
- احرص على تحضير الأطعمة الحساسة، كالطيور والبيض والأسماك، بعناية فائقة.
- اغسل الخضروات والفاكهة بعناية دائماً و/أو قم بتقشيرها.

قبل الاستخدام لأول مرة

قبل استخدام الملحق التكميلي الجديد، يجب إخراج محتوياته بالكامل وتنظيفها ثم فحصها.

⚠ تنبيه!

إياك أن تشغل ملحقا تكميليا متضررا!

■ تأكد من اكتمال جميع الأجزاء ومن عدم وجود

أضرار ملحوظة. ← الصورة A

■ نظف جميع الأجزاء ثم جففها جيداً قبل الاستخدام

أول مرة. ← «التنظيف والعناية» انظر

صفحة ar-4

القطع وعناصر الاستعمال

خزان الحفظ من التريتان

لحفظ المواد الغذائية تحت التفريغ، لإطالة طراوة المواد الغذائية المعبأة وصلابيتها، لتبيلها أو لإعادة تسخينها في الميكروويف. التريتان هو بلاستيك مؤمن ضد الكسر وليس له تأثير على المذاق أو الرائحة.

أزل الغطاء قبل استخدام الخزانات في الميكروويف.

الاستعمال المطابق للتعليمات

هذا الملحق الإضافي مُعد ومخصص للاستخدام مع ساق الخلاط إرجو مكس (ErgoMixx) وماكسو مكس (MaxoMixx).

يجب مراعاة تعليمات الاستخدام الخاصة بساق الخلاط. لا تستخدم هذا الملحق مطلقاً لأجهزة أخرى. لا تستخدم إلا الأجزاء ذات الصلة. هذا الملحق مناسبٌ لتفريغ الهواء من أكياس وحاويات بوش (Bosch). هذا الملحق الإضافي مُعد ومعتمد فقط للاستخدام بالطريقة الموضحة في هذا الدليل.

إرشادات الأمان

⚠ خطر الاختناق!

- ابق الأكياس المضغوطة مفرّغة الهواء بعيداً عن الأطفال.
- لا تترك الأطفال تلعب بالأكياس المضغوطة مفرّغة الهواء.

⚠ تنبيه!

- يجب عدم تركيب أو انتزاع الملحق الإضافي إلا عندما يكون الجهاز في وضع السكون التام ويكون قابس الجهاز قد تم إخراجُه من مقبس التغذية بالكهرباء.
- لا تقم بتشغيله دون وجود خليط.
- لا تغمر مضخة التفريغ في سوائل أبداً ولا تنظفها بالماء الجاري أو في غسالة الأطباق.
- كل المكوثات يجب أن تكون نظيفة تماماً. عند الاستخدام احرص على مراعاة القواعد المتعلقة بنظافة المطبخ.
- اترك المواد الغذائية تبرد دائماً قبل تفريغ الهواء.
- افحص جودة المواد الغذائية كذلك بعد التخزين. لا تستخدم أطعمة مشكوك في جودتها.

⚠ هام!

- لا تلمس عناصر الأحكام بأي حالٍ من الأحوال باستخدام أغراض حادة أو مدببة أو معدنية.
 - خزانات الحفظ والأكياس المضغوطة مفرّغة الضغط مناسبة لغسالات الأطباق والمجمّادات.
 - يمكن تسخين المواد الغذائية في المايكرويف في الحافظة أو في الكيس لمدة أقصاها 90 ثانية عند 900 وات بحد أقصى. أزل غطاء الحافظة أو افتح الكيس قبل الاستخدام في المايكرويف.
 - خزانات الحفظ والأكياس المضغوطة مفرّغة الضغط مناسبة للاستخدام في نطاق درجات الحرارة من 18- °م إلى 85 °م.
 - لا يمكن إعادة استخدام الأكياس، التي سبق استخدامها لتخزين اللحوم أو الأسماك أو الدواجن النيئة.
 - يجب تنظيف الملحق الإضافي جيداً بعد كل استخدام له أو بعد طول فترة عدم الاستخدام.
- ← «التنظيف والعناية» انظر صفحة ar-4



Thank you for buying a Bosch Home Appliance!

Register your new device on MyBosch now and profit directly from:

- **Expert tips & tricks for your appliance**
- **Warranty extension options**
- **Discounts for accessories & spare-parts**
- **Digital manual and all appliance data at hand**
- **Easy access to Bosch Home Appliances Service**

Free and easy registration – also on mobile phones:

www.bosch-home.com/welcome

BOSCH
HOME APPLIANCES
SERVICE

Looking for help? You 'll find it here.

Expert advice for your Bosch home appliances, need help with problems or a repair from Bosch experts.

Find out everything about the many ways Bosch can support you:

www.bosch-home.com/service

Contact data of all countries are listed in the attached service directory.

Robert Bosch Hausgeräte GmbH

Carl-Wery-Straße 34

81739 München

GERMANY

www.bosch-home.com



8001207471

(001015)