



Register your  
new device on  
MyBosch now and  
get free benefits:  
[bosch-home.com/  
welcome](https://bosch-home.com/welcome)



# Fridge-freezer

KAN..

en Installation instructions and instructions for useFridge-freezer

2

---

## en Table of contents

Safety and warning information .....	3
Environmental protection .....	4
Scope of delivery .....	5
Installing the appliance .....	5
Installation dimensions .....	6
Door opening angle .....	7
Aligning the appliance .....	8
Connecting the appliance .....	8
Removing the appliance door .....	8
Getting to know your appliance .....	9
Switching on the appliance .....	11
Setting the temperature .....	11
Alarm function .....	12
Special functions .....	12
Usable capacity .....	13
Freezer compartment .....	13
Freezing capacity .....	13
Freezing fresh food .....	13
Super freezing .....	14
Thawing frozen food .....	14
Refrigerator compartment .....	14
Super cooling .....	15
Features of the freezer compartment .....	16
Variable interior design .....	16
Switching off and disconnecting the appliance .....	17
Defrosting .....	17
Cleaning the appliance .....	17
Light (LED) .....	18
Tips for saving energy .....	18
Operating noises .....	18
Eliminating minor faults yourself .....	19
Customer service .....	20

## **⚠ Safety and warning information**

### **Before you switch ON the appliance**

Please read the operating and installation instructions carefully! They contain important information on how to install, use and maintain the appliance.

The manufacturer is not liable if you fail to comply with the instructions and warnings. Retain all documents for subsequent use or for the next owner.

### **Technical safety**



Fire hazard

The tubes of the refrigeration circuit convey a small quantity of an environmentally friendly but flammable refrigerant (R600a). It does not damage the ozone layer and does not increase the greenhouse effect. If refrigerant escapes, it may injure your eyes or ignite.

### **If damage has occurred**

- Keep naked flames and/or ignition sources away from the appliance,
- thoroughly ventilate the room for several minutes,
- switch off the appliance and pull out the mains plug,
- inform customer service.

The more refrigerant an appliance contains, the larger the room must be in which the appliance is situated. Leaking refrigerant can form a flammable gas-air mixture in rooms which are too small.

The room must be at least 1 m<sup>3</sup> per 8 g of refrigerant. The amount of refrigerant in your appliance is indicated on the rating plate inside the appliance.

When installing the appliance, ensure that the mains cable is not trapped or damaged.

If the power cord of this appliance is damaged, it must be replaced by the manufacturer, Customer Service or a similarly qualified person. Improper installations and repairs may put the user at considerable risk.

Repairs may be performed by the manufacturer, customer service or a similarly qualified person only.

Only original parts supplied by the manufacturer may be used. The manufacturer guarantees that only these parts satisfy the safety requirements.

Do not use multiple sockets, extension leads or adapters.



Fire hazard

Portable multiple outlets or power supplies may overheat, causing a fire. Never leave portable multiple outlets or portable power supplies behind the appliance.

### **Important information when using the appliance**

- Never use electrical appliances inside the appliance (e.g. heaters, electric ice makers, etc.). Risk of explosion!
- Never defrost or clean the appliance with a steam cleaner! The steam may penetrate electrical parts and cause a short-circuit. Risk of electric shock!
- Do not use additional means to accelerate the defrosting process other than those recommended by the manufacturer. Risk of explosion!
- Do not use pointed and sharp-edged implements to remove frost or layers of ice. You might damage the refrigerant tubes. Leaking refrigerant may cause eye injuries or ignite.
- Do not store products which contain flammable propellant (e.g. spray cans) or explosive substances in the appliance. Risk of explosion!
- Do not stand on or lean heavily against the base of the appliance, drawers, doors, etc.
- For cleaning pull out mains plug or switch off fuse. Do not pull out the mains plug by tugging on the power cord.
- Store high-percentage alcohol tightly sealed and in an upright position.
- Keep plastic parts and the door seal free of oil and grease. Otherwise, plastic parts and the door seal will become porous.
- Never cover or block the ventilation openings of the appliance.

### ■ **Avoiding placing children and vulnerable people at risk:**

At risk here are children, people who have limited physical, mental or sensory abilities, as well as people who have inadequate knowledge concerning safe operation of the appliance.

Check that children and vulnerable people have understood the hazards.

A person responsible for safety must supervise or instruct children and vulnerable people who are using the appliance.

Only children aged 8 years and above may use the appliance.

Supervise children while the appliance is being cleaned or maintained.

Never allow children to play with the appliance.

- Do not store bottled or canned liquids (especially carbonated drinks) in the freezer compartment. Bottles and cans may burst!
- Never put frozen food straight from the freezer compartment in your mouth. Risk of low-temperature burns!
- Avoid prolonged touching of frozen food, ice or the evaporator pipes, etc. Risk of low-temperature burns!

### **Children in the household**

- Keep children away from packaging and its parts.  
Danger of suffocation from folding cartons and plastic film!
- Do not allow children to play with the appliance!
- If the appliance features a lock: keep the key out of the reach of children!

### **General regulations**

The appliance is suitable

- for refrigerating and freezing food,
- for making ice.

This appliance is intended for use in the home and the home environment.

The refrigeration circuit has been checked for leaks.

This appliance complies with the relevant safety regulations for electrical appliances and is fitted with noise suppression.

This appliance is intended for use up to a maximum height of 2000 metres above sea level.

---

## **Environmental protection**

### **Packing**

All the materials are environmentally friendly and can be recycled.

- Dispose of packing in an environmentally responsible manner.
- Contact your appliance retailer or your local authority for information about the available disposal methods and sites.

### **End-of-life appliances**

Valuable raw materials can be recovered by environmentally-friendly disposal.

#### **Warning**

### **Children can become trapped inside the appliance and suffocate**

- To make it more difficult for children to climb into the appliance, the shelves and containers should be left in place inside the appliance.
- Keep children away from the disused appliance.

#### **Caution**

## Risk of refrigerant and harmful gases escaping.

Do not damage the refrigeration circuit pipes or the insulation.

1. Unplug the appliance from the mains.
2. Cut through the power cord.
3. Dispose of the appliance in an environmentally friendly manner.

### Disposal of your old appliance (as per e-waste Rules)

This appliance is labelled in accordance with the guidelines on e-waste Management and Handling Rules 2016 concerning used electrical and electronic appliances. The guideline determines the framework for the return and recycling of used appliances.



### Note

This product does not contain any of hazardous substances as specified in the e-waste Management and Handling Rules 2016.

Any disposal through unauthorized agencies/person will attract action under Environment (Protection) Act 1986.

### Dos

- Please visit our website to find out more details regarding e-waste disposal:  
<https://www.bosch-home.in/metapages/e-waste-management>
- Keep the product in isolated area, after it becomes non-functional/unrepairable so as to prevent its accidental breakage.
- Consult the authorized service center as to whether the Electronic Equipment can be repaired or not, before discarding.
- Consult the retailer about appliance take back schemes.

### Don'ts

- The product should not be opened by the user himself/herself, but only by authorized service personnel.
- The product is not meant for resale to any unauthorized agencies/scrap dealers/kabariwalah.
- Do not dispose of the discarded Electronic Equipment in household bins or Municipal bins.
- Do not dump the discarded Electronic Equipment in the open or in any land fill site, as this will result in contamination of the soil and the ground water.
- Do not keep any replaced spare part(s) from the product in exposed area.

## Scope of delivery

After unpacking all parts, check for any damage in transit.

If you have any complaints, please contact the dealer from whom you purchased the appliance or our customer service.

The delivery consists of the following parts:

- Free-standing appliance
- Bag containing installation materials
- Interior fittings (depending on model)
- Operating instructions
- Customer service booklet
- Warranty enclosure
- Information on the energy consumption and noises

## Installing the appliance

### Transporting

The appliance is heavy. Secure in position during transportation and installation.

Due to the weight/dimensions of the appliance and to minimise the risk of injury and damage to the appliance at least two persons are necessary to set-up the appliance safely.

### Installation location

Install the appliance in a dry, well ventilated room. The installation location should neither be exposed to direct sunlight nor near a heat source, e.g. a cooker, radiator, etc. If installation next to a heat source is unavoidable, use a suitable insulating plate or observe the following minimum distances to a heat source:

- 3 cm to electric or gas cookers.
- 30 cm to an oil or coal-fired cooker.

If installing the appliance next to another refrigerator or freezer, ensure a minimum lateral distance of 25 mm to prevent the formation of condensation.

If a panel or cupboard is installed above the appliance, ensure that a gap of 30 mm is left so that the appliance can be pulled out of the recess if required.

The air heated on the rear side of the appliance must be allowed to escape unhindered.

**Subsurface**

**⚠ Caution**

The appliance is very heavy.

Design: 128 kg

The floor of the installation location must not give way; if required, reinforce floor.

To ensure that the doors can open all the way, observe lateral minimum distances when installing the appliance in a corner or recess (see chapter Installation dimensions).

If the depth of the adjacent kitchen equipment is more than 60 cm, observe lateral minimum distances in order to utilise the full door opening angle (see chapter "Door opening angle").

**Observe ambient temperature and ventilation**

**Ambient temperature**

The climate class can be found on the rating plate. The climate class indicates within which ambient temperatures the appliance can be operated. The rating plate is located in the refrigerator compartment at the right side.

Climate class	Permitted ambient temperature
SN	+10 °C to 32 °C
N	+16 °C to 32 °C
ST	+16 °C to 38 °C
T	+16 °C to 43 °C

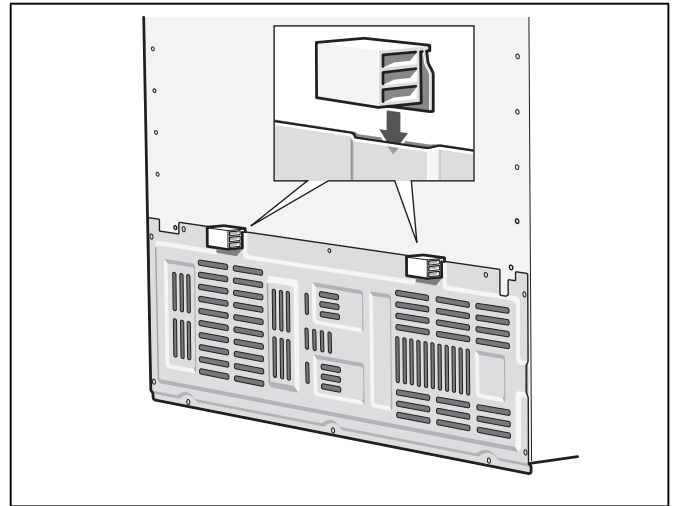
**Note**

The appliance is fully functional within the room temperature limits of the indicated climatic class. If an appliance of climatic class SN is operated at colder room temperatures, the appliance will not be damaged up to a temperature of +5 °C.

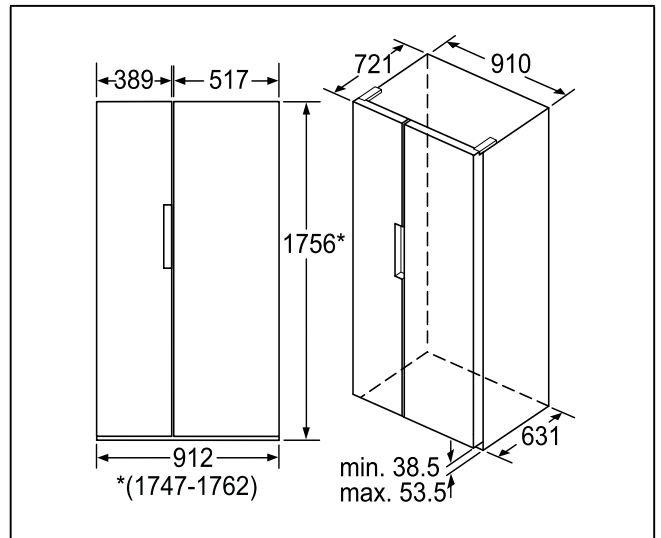
**Ventilation**

Never cover the ventilation openings on the rear of the appliance. Conduction of the heated air must not be obstructed. Otherwise, the refrigeration unit must work harder. This increases power consumption.

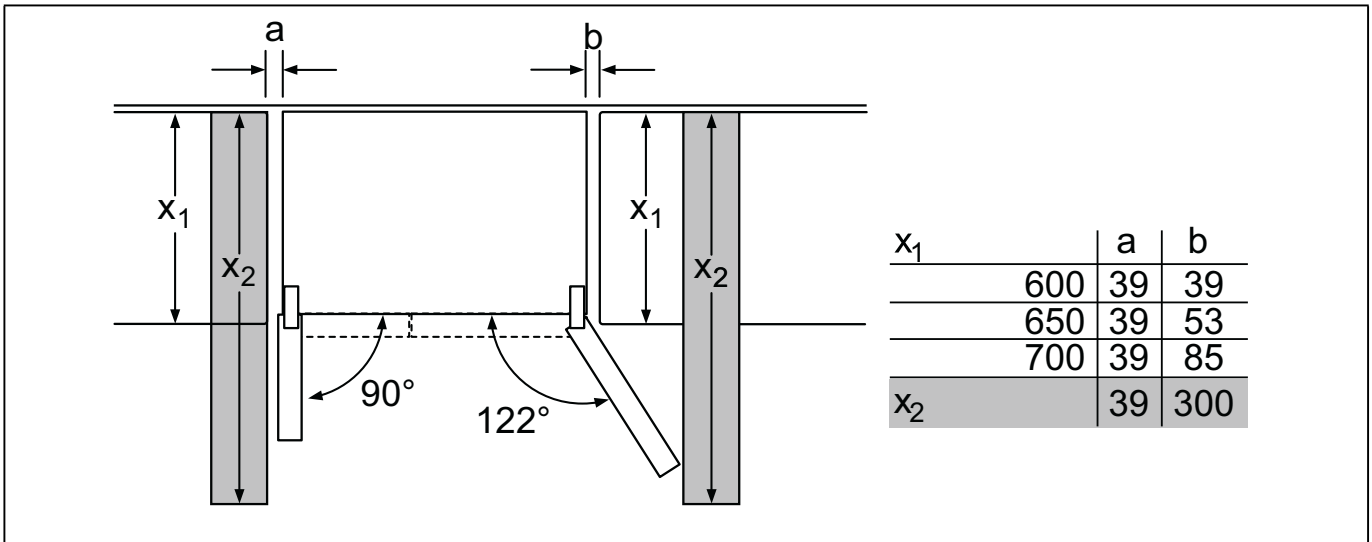
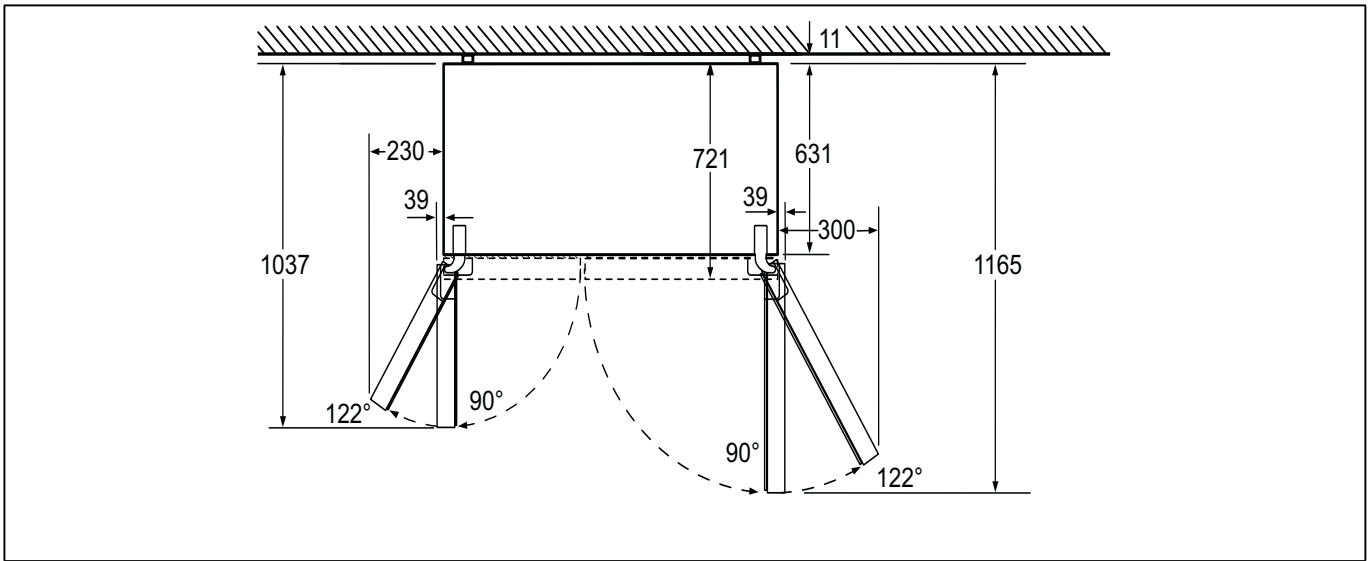
Place the enclosed spacers in the designated holders on the back of the appliance. This ensures that there is a minimum distance between the appliance and the wall.



**Installation dimensions**



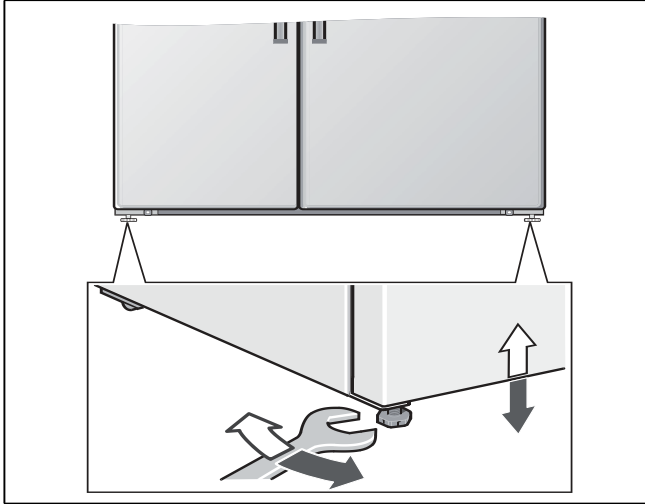
# Door opening angle



## Aligning the appliance

To ensure that the appliance functions correctly, it must be set level with a spirit level.

If the appliance is not level, water may flow out of the ice maker, ice cubes may be irregular or the doors may not close properly.



## Connecting the appliance

Have a technician install and connect the appliance according to the enclosed installation instructions.

Do not remove the transportation protection devices from the shelves and storage compartments until the appliance has been installed.

Always connect the water before the power.

Apart from statutory national regulations, you should stick to the connection terms relating to the local electricity and water companies.

After installing the appliance, wait at least 1 hour until the appliance starts up. During transportation the oil in the compressor may have flowed into the refrigeration system.

Before switching on the appliance for the first time, clean the interior of the appliance (see chapter "Cleaning the appliance").

## Electrical connection

### **⚠ Warning**

Risk of electric shock!

If the length of the mains cable is inadequate, never use multiple sockets or extension leads. Instead, please contact Customer Service for alternatives.

The appliance must be connected to a permanently installed socket.

The socket must be near the appliance and also freely accessible following installation of the appliance.

The appliance complies with protection class I. Connect the appliance to 220–240 V/50 Hz alternating current via a correctly installed socket with protective conductor. The socket must be protected by a 10 A to 16 A fuse or higher.

For appliances operated in non-European countries, check whether the indicated voltage and current type match the values of your electricity supply. The rating plate is situated in the bottom right-hand side of the appliance. The mains cable may be replaced by a technician only.

### **⚠ Warning**

Never connect the appliance to electronic energy saver plugs.

Our appliances can be used with mains and sine-controlled inverters. Mains-controlled inverters are used for photovoltaic systems which are connected directly to the national grid. Sine-controlled inverters must be used for isolated applications (e.g. on ships or in mountain lodges) which are not connected directly to the national grid.

## Removing the appliance door

If the appliance will not fit through the house door, the appliance doors can be unscrewed.

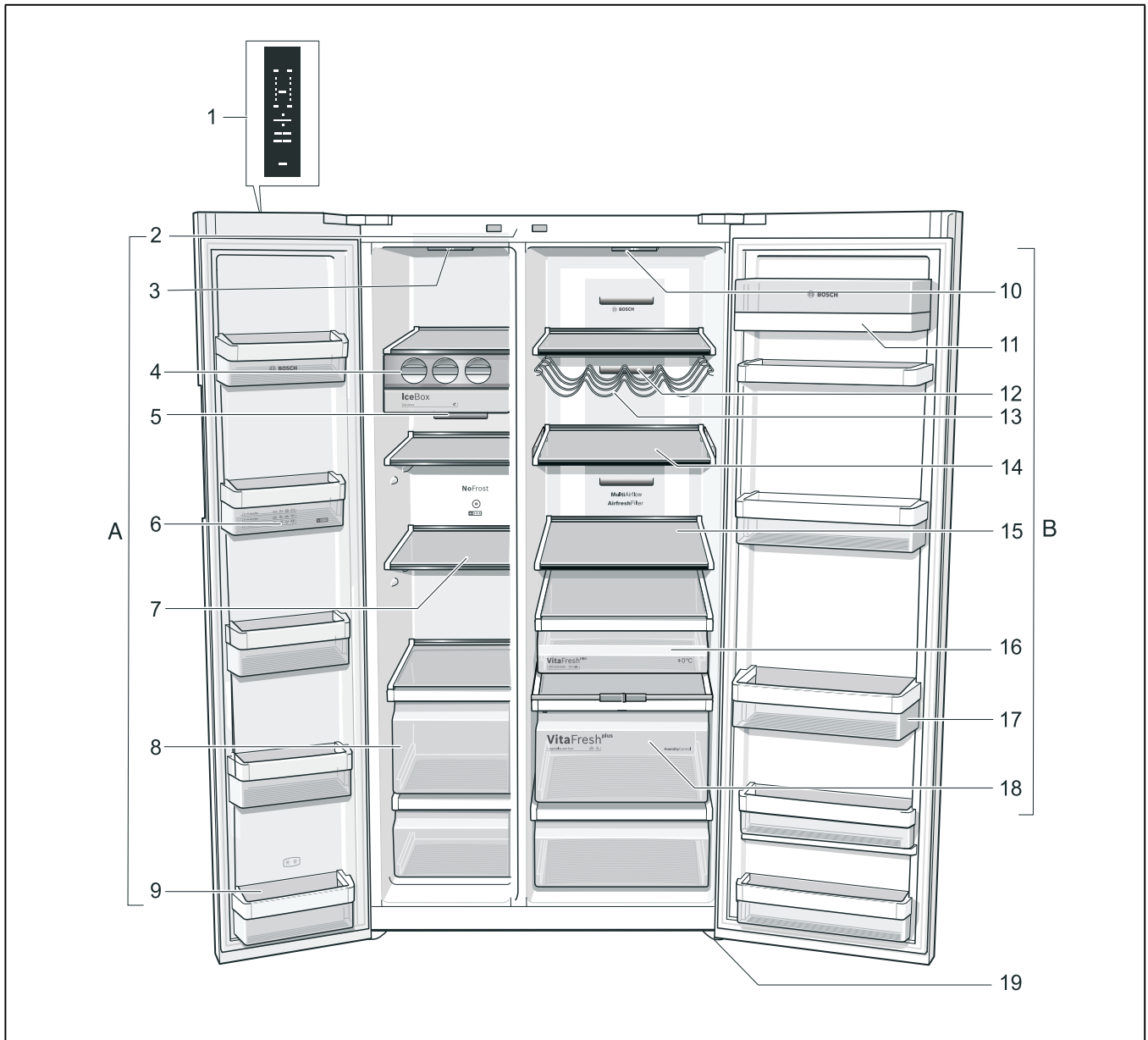
### **⚠ Caution**

Only customer service may unscrew the appliance doors.



## Getting to know your appliance

These operating instructions refer to several models.  
The diagrams may differ.



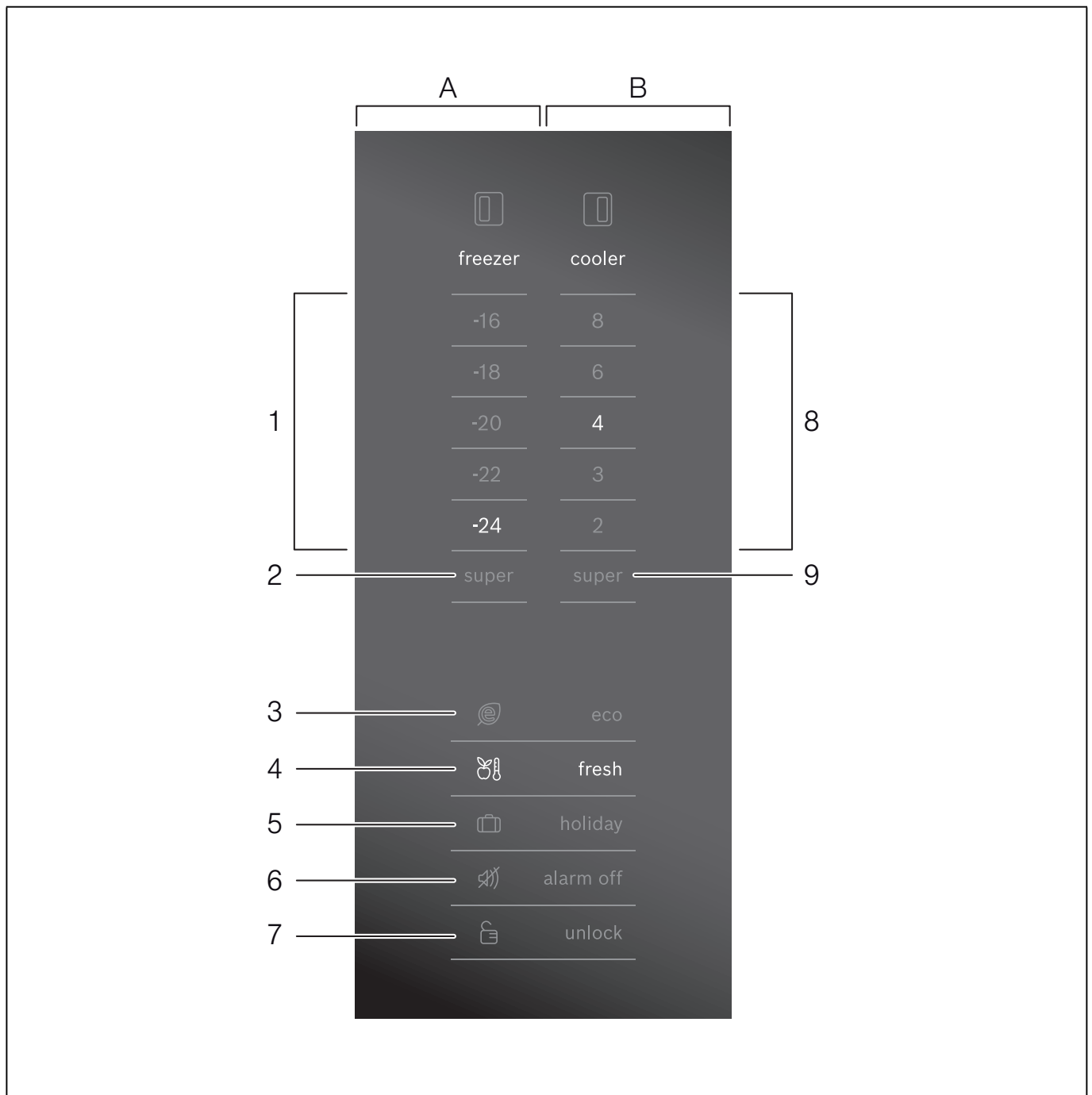
\* Not all models.

- |   |  |    |  |
|---|--|----|--|
| A | Freezer compartment                                    | 9  | Door shelf (2 star compartment) for short-term storage of food and ice cream |
| B | Refrigerator compartment                               | 10 | Light, refrigerator compartment  |
| 1 | Control and display panel                              | 11 | Butter and cheese compartment  |
| 2 | Light switch for refrigerator and freezer compartments | 12 | Air outlet opening   |
| 3 | Light, freezer compartment                             | 13 | Bottle shelf *   |
| 4 | Ice maker  | 14 | Adjustable glass shelf   |
| 5 | Air outlet opening                                     | 15 | Glass shelf in the refrigerator compartment                                  |
| 6 | Freezer calendar                                       | 16 | "Cool-fresh" container   |
| 7 | Glass shelf in the freezer compartment                 | 17 | Door shelf   |
| 8 | Frozen food container                                  | 18 | Vegetable container with humidity control                                    |
|   |  | 19 | Height-adjustable feet   |

## Control and display panel

The control and display panel on the door consists of one touch pad.

Activate the corresponding function by touching the “unlock” button and the required button.



A **Freezer compartment display panel**  
 B **Refrigerator compartment display panel**

- 1 **Temperature selection button freezer compartment**  
The button sets the temperature in the freezer compartment.
- 2 **“Super” button (freezer compartment)**  
Switches super freezing on and off.
- 3 **“eco” button**  
Is used to switch Eco mode on and off.

- 4 **“Fresh” button**  
Is used to switch fresh mode on and off.
- 5 **“Holiday” button**  
Is used to switch vacation mode on and off.
- 6 **“Alarm off” button**  
This button is used to switch off the warning signal, (see chapter “Alarm function”).

## 7 “Unlock” button

Is used to switch the button lock on and off.

### Note

Press the “Unlock” button for at least 2 seconds.

The button lock switches on automatically if the keypad is not touched for several seconds. This prevents unintentional changes to the settings.

If an attempt is made to press a button while the button lock is switched on, this button lights up.

### Note

Always deactivate the button lock before pressing a button!

## 8 Temperature selection buttons refrigerator compartment

These buttons set the temperature in the refrigerator compartment.

## 9 “Super” button refrigerator compartment

Switches super cooling on and off.

## Switching on the appliance

When connected, the appliance is switched on. A warning signal sounds.

Press the “alarm off” button. The warning signal switches off.

The preset temperatures are reached after several hours. Do not put any food in the appliance beforehand.

The factory has recommended the following temperatures:

- Freezer compartment: -18 °C
- Refrigerator compartment: +4 °C

## Setting the temperature

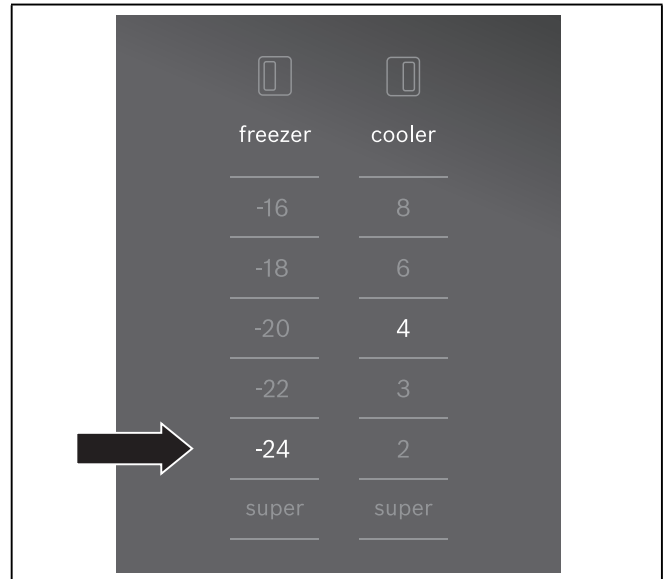
### Freezer compartment

The temperature can be set from -16 °C to -24 °C.

Using the temperature setting buttons for the freezer compartment, select the required freezer compartment temperature.

The value last selected is saved. The set temperature is indicated on temperature display for the freezer compartment.

We recommend a setting of -18 °C.



### Refrigerator compartment

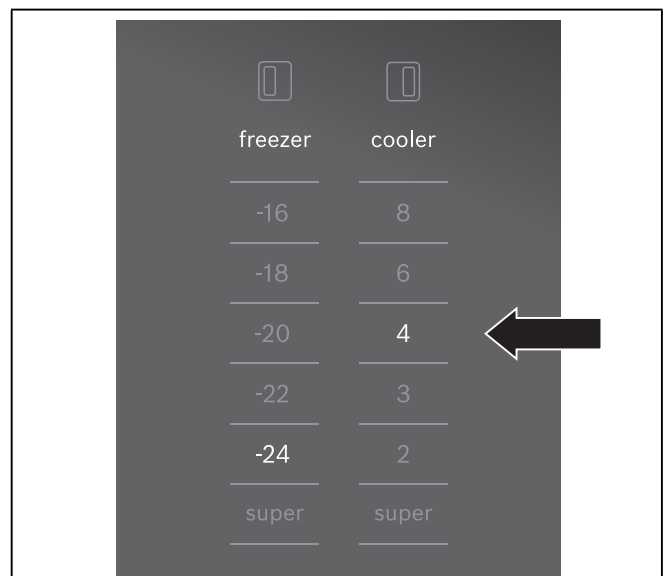
The refrigerator compartment can be set from +2 °C to +8 °C.

Using the temperature setting buttons for the refrigerator compartment, select the required refrigerator compartment temperature.

The value last indicated is saved by the system.

We recommend a setting of +4 °C.

Perishable food should not be stored above +4 °C.



## Alarm function

### Door alarm

If the appliance is left open for longer than one minute, the door alarm (red door handle light) switches on. Close the door or press the "alarm off" button 6 to switch the door alarm off again.

#### Note

The alarm can also be switched off using any other button, but this will also trigger the respective button function.

### Temperature alarm

The temperature alarm switches on if the freezer compartment is too warm and the food is at risk of thawing.

Press the "alarm off" button to switch off the warning signal.

#### Note

The alarm can also be switched off using any other button, but this will also trigger the respective button function.

The audible and optical signal is actuated without risk to the frozen food in the following cases:

- When switching on the appliance.
- When large quantities of fresh food are placed in the appliance.



The set temperature of the freezer compartment flashes on the display panel. "alarm off" is displayed and the red door handle light is switched on.

The temperature alarm stops as soon as the set temperature has been reached again.

#### Note

Do not refreeze thawing or thawed food. Only food that has been cooked to make a ready-to-eat meal (boiled or fried) may be refrozen.

Do not store the frozen produce for the max. storage period.

## Special functions

### [eco]

This function switches the appliance to energy-saving mode.

The appliance automatically sets the following temperatures:

- Freezer compartment: : -16 °C
- Refrigerator compartment: +6 °C

#### Switching on [eco]

Press button [eco] until the button is highlighted.

#### Switching off [eco]

Press button [eco] until the button is no longer highlighted.

### [fresh]

Fresh mode [fresh] gives food an even longer shelf life.

The appliance automatically sets the following temperatures:

- Refrigerator compartment: +2 °C
- Freezer compartment: remains unchanged

#### Switching on [fresh]

Press button [fresh] until the button is highlighted.

#### Switching off [fresh]

Press button [fresh] until the button is no longer highlighted.

### [holiday]

If leaving the appliance for a long period of time, you can switch the appliance over to the energy-saving vacation mode. The refrigerator compartment temperature is automatically switched to +14 °C.

#### ⚠ Caution

Do not store any food in the refrigerator compartment during this time!

The freezer compartment keeps the set temperatures.

#### Switching on [holiday]

Press button [holiday] until the button is highlighted.

#### Switching off [holiday]

Press button [holiday] until the button is no longer highlighted.

### Door handle light

The door handle of the freezer compartment features an LED light which is activated as follows:

- white light when opening the door and pressing a button
- red light if there is an alarm (see also chapter Alarm function)

#### Switching door handle light on/off

Press [eco] button for five seconds.

---

## Usable capacity

Information on the usable capacity can be found inside your appliance on the rating plate (see diagram at chapter "Customer service").

### Fully utilising the freezer volume

To place the maximum amount of food in the freezer, the top frozen food container can be taken out of the appliance. The food can then be placed directly on the shelves and stacked in the lower frozen food container.

---

## Freezer compartment

### Use the freezer compartment

- To store deep-frozen food.
- To make ice cubes.
- To freeze food.

#### Note

Ensure that the freezer compartment door has been closed properly. If the door is open, the frozen food will thaw. The freezer compartment will become covered in thick ice. Also: waste of energy due to high power consumption!

When the freezer compartment door is closed, a low pressure occurs, causing a sucking noise. Wait two to three minutes until the low pressure has adjusted itself.

We recommend leaving the ice cube container in the appliance. This ensures optimum temperature distribution in the freezer compartment.

### Purchasing frozen food

- Packaging must not be damaged.
- Use by the "use by" date.
- Temperature in the supermarket freezer must be  $-18\text{ }^{\circ}\text{C}$  or lower.
- If possible, transport deep-frozen food in an insulated bag and place quickly in the freezer compartment.

---

## Freezing capacity

Information about the freezing capacity can be found on the rating plate (see diagram in chapter "Customer Service")

---

## Freezing fresh food

Freeze fresh and undamaged food only.

To retain the best possible nutritional value, flavour and colour, vegetables should be blanched before freezing. Aubergines, peppers, zucchini and asparagus do not require blanching.

Literature on freezing and blanching can be found in bookshops.

#### Note

Keep food which is to be frozen away from food which is already frozen.

- The following foods are suitable for freezing:
  - Cakes and pastries, fish and seafood, meat, game, poultry, vegetables, fruit, herbs, eggs without shells, dairy products such as cheese, butter and quark, ready meals and leftovers such as soups, stews, cooked meat and fish, potato dishes, soufflés and desserts.
- The following foods are not suitable for freezing:
  - Types of vegetables, which are usually consumed raw, such as lettuce or radishes, eggs in shells, grapes, whole apples, pears and peaches, hard-boiled eggs, yoghurt, soured milk, sour cream, crème fraîche and mayonnaise.

### Packing frozen food

To prevent food from losing its flavour or drying out, place in airtight containers.

1. Place food in packaging.
2. Remove air.
3. Seal the wrapping.
4. Label packaging with contents and date of freezing.

#### Suitable packaging:

Cling wrap, tubular film made of polyethylene, aluminium foil, freezer containers. These products are available from specialist outlets.

#### Unsuitable packaging:

Wrapping paper, greaseproof paper, cellophane, bin liners and used shopping bags.

#### Items suitable for sealing packaged food:

Rubber bands, plastic clips, string, cold-resistant adhesive tape, etc.

Bags and tubular film made of polyethylene (PE) can be sealed with a film heat sealer.

### Shelf life of frozen food

Storage duration depends on the type of food.

At a temperature of  $-18\text{ }^{\circ}\text{C}$ :

- Fish, sausage, ready meals and cakes and pastries: up to 6 months
- Cheese, poultry and meat: up to 8 months
- Vegetables and fruit: up to 12 months

## Super freezing

Food should be frozen solid as quickly as possible in order to retain vitamins, nutritional value, appearance and flavour.

Several hours before placing fresh food in the freezer compartment, switch on super freezing to prevent an unwanted temperature rise.

As a rule, 4–6 hours is adequate.

This appliance runs constantly and the freezer compartment drops to a very low temperature.

If the max. freezing capacity is to be used, super freezing must be switched on for 24 hours before the fresh produce is placed in the freezer compartment.

Smaller quantities of food (up to 2 kg) can be frozen without “super freezing”.

### Note

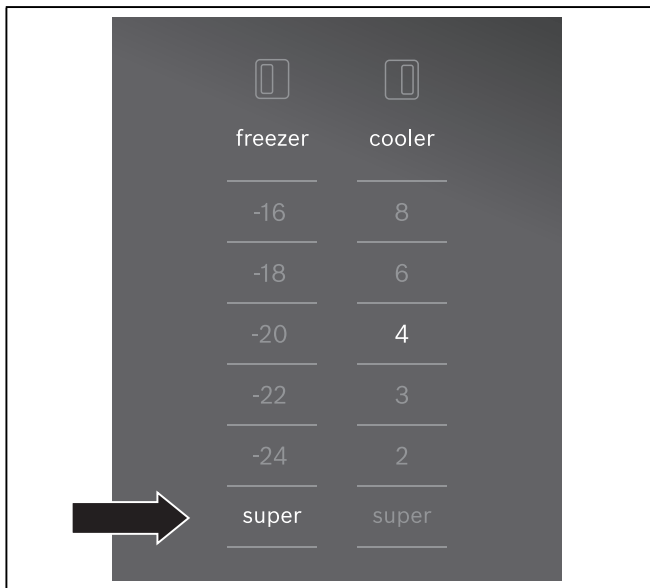
When super freezing is switched on, increased operating noises may occur.

### Switching on and off

Press “super” button freezer compartment 2.

The button is lit when super freezing is switched on.

Super freezing automatically switches off after approx. 2½ days.



## Thawing frozen food

Depending on the type and application, select one of the following options:

- at room temperature
- in the refrigerator
- in an electric oven, with/without fan assisted hot-air
- in the microwave

### ⚠ Caution

Do not refreeze thawing or thawed food. Only ready meals (boiled or fried) may be refrozen.

No longer store the frozen produce for the max. storage period.

## Refrigerator compartment

The refrigerator compartment is the ideal storage location for meat, sausage, fish, dairy products, eggs, ready meals and pastries.

### Storing food

- Store fresh, undamaged food. The quality and freshness will then be retained for longer.
- In the case of ready-made products and bottled goods, observe the best-before date or use-by date specified by the manufacturer.
- To retain aroma, colour and freshness, pack or cover food well before placing in the appliance. This will prevent the transfer of flavours and the discolouration of plastic parts in the refrigerator compartment.
- Allow warm food and drinks to cool down before placing in the appliance.

### Note

Avoid contact between food and rear panel. Otherwise the air circulation will be impaired.

Food or packaging could freeze to the rear panel.

### Note the chill zones in the refrigerator compartment

The air circulation in the refrigerator compartment creates different chill zones:

- Coldest zone is between the vegetable container and the glass shelf situated above.

#### Note

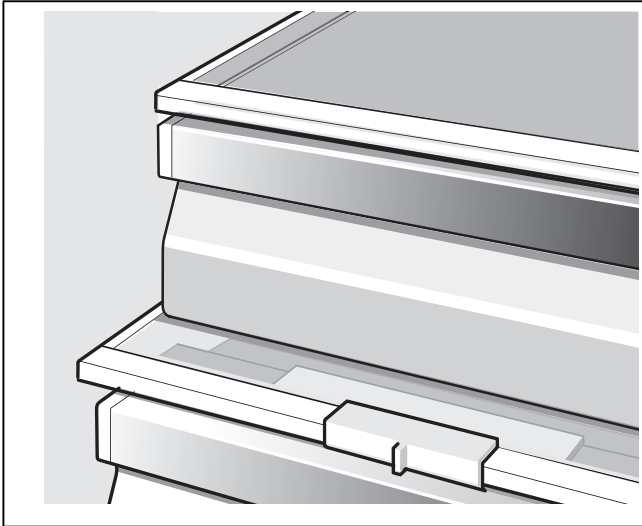
Store perishable food (e.g. fish, sausage, meat) in the coldest zone above the vegetable container.

- Warmest zone is at the very top of the door.

#### Note

Store e.g. hard cheese and butter in the warmest zone. Cheese can then continue to release its flavour and the butter will still be easy to spread.

## “Cool-fresh” container



### Foods suitable for “cool-fresh” container:

In principle all foods which are fresh and are to remain fresh for even longer, such as: fish, seafood, meat and sausage, dairy products, and ready meals.

### Foods not suitable for the “cool-fresh” drawer:

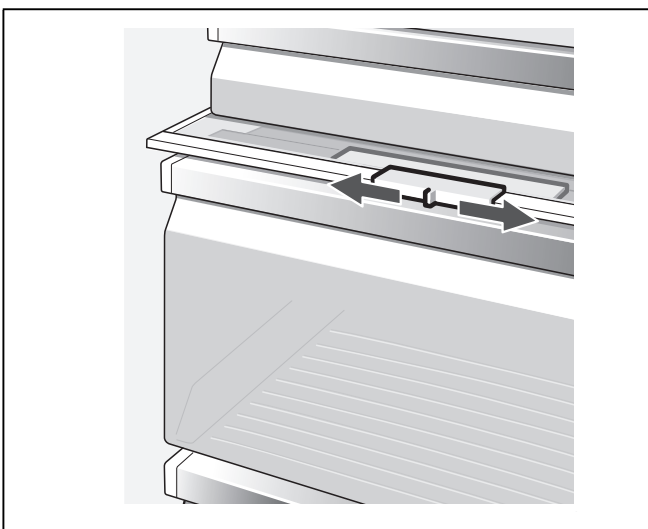
Fruit and vegetables sensitive to cold (e.g.: tropical fruit such as pineapples, bananas, papaya, citrus fruits, melons as well as tomatoes, aubergines, zucchini, capsicums, cucumbers, potatoes).

The ideal storage location for these foods is the refrigerator compartment.

## Vegetable container with humidity controller

To create the optimum storage climate for fruit and vegetables, you can set the air humidity in the vegetable container depending on the quantity stored:

- smaller quantities of fruit and vegetables – high air humidity
- large quantities of fruit and vegetables – low air humidity



## Notes

- Fruit sensitive to cold (e.g. pineapple, banana, papaya and citrus fruit) and vegetables sensitive to cold (e.g. aubergines, cucumbers, zucchini, peppers, tomatoes and potatoes) should be stored outside the refrigerator at temperatures of approx. +8 °C to +12 °C for optimum preservation of quality and flavour.
- Condensation may form in the vegetable container depending on the type and quantity of products stored. Remove condensation with a dry cloth and adjust air humidity in the vegetable container with the humidity controller.

## Super cooling

Super cooling sets the refrigerator temperature to the coldest temperature setting for approx. 6 hours. Then the appliance automatically switches to the temperature set prior to super cooling mode.

Switch on super cooling mode, e.g.

- before placing large quantities of food in the refrigerator compartment.
- for the fast cooling of drinks.

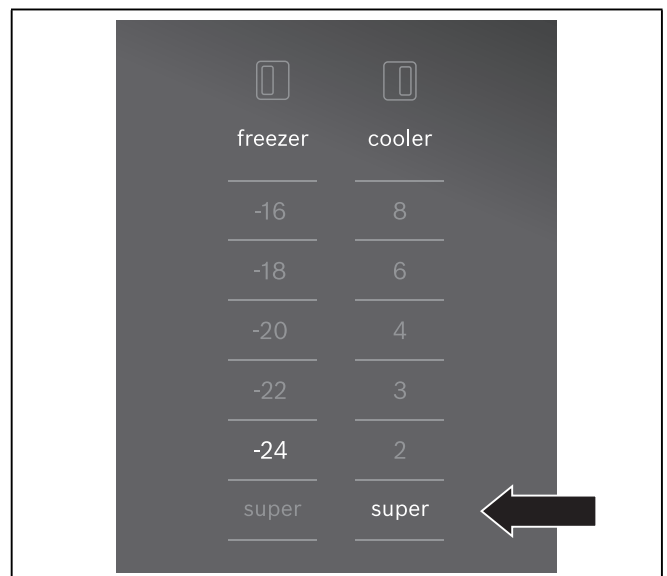
### Note

When super cooling is switched on, increased operating noises may occur.

## Switching on and off

Press “super” button refrigerator compartment 9.

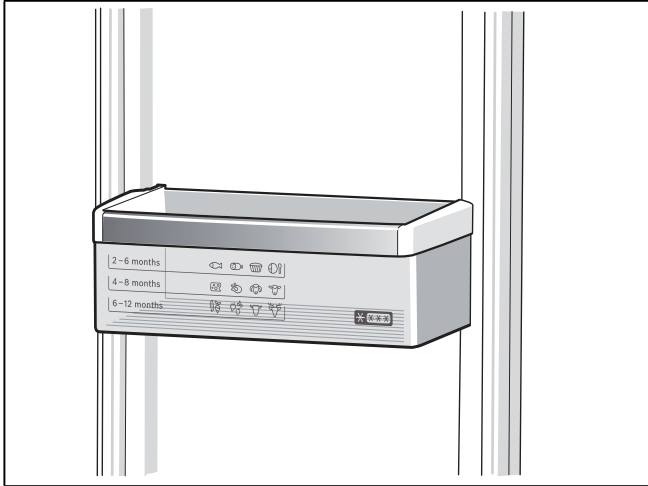
The button is lit when super cooling is switched on.



## Features of the freezer compartment

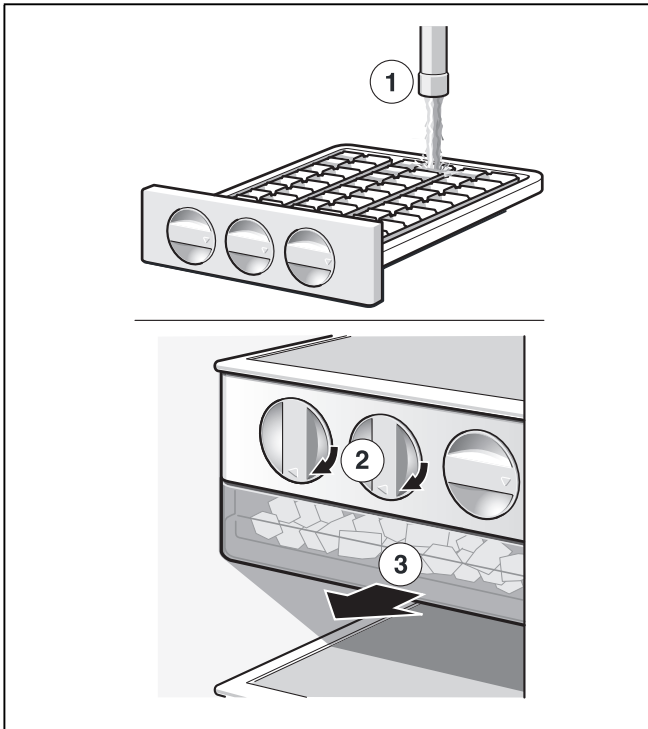
(not all models)

### Freezer calendar



To prevent the quality of the frozen food from deteriorating, do not exceed the storage duration. The storage period depends on the type of produce. The figures next to the symbols indicate the permitted storage period of the produce in months. In the case of commercially available frozen food observe the date of manufacture or use-by date.

### Ice maker



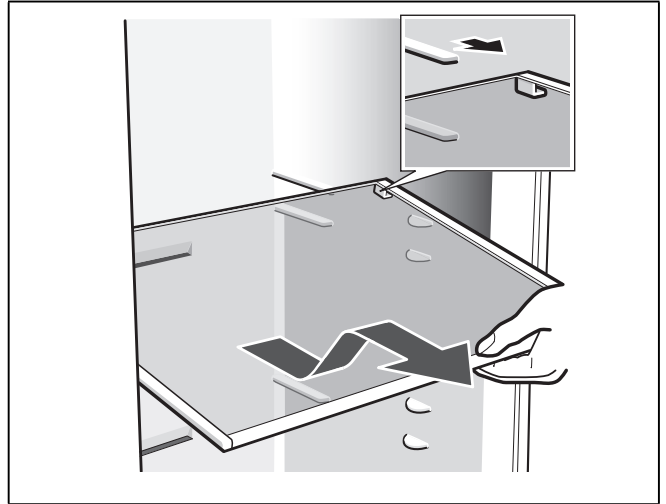
1. Remove the ice cube tray, fill  $\frac{3}{4}$  full of drinking water and re-insert.

2. When the ice cubes are frozen, rotate the knobs on the ice cube trays several times to the right and release. The ice cubes loosen and fall into the storage container.
3. Remove ice cubes from the storage container.

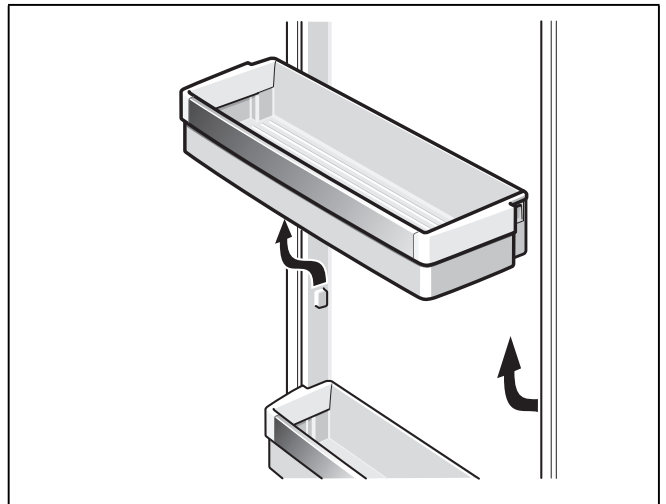
## Variable interior design

You can vary the shelves inside the appliance and the door shelves as required.

- Pull shelf forwards, lower and swing out to the side.



- Lift the door shelf and remove.

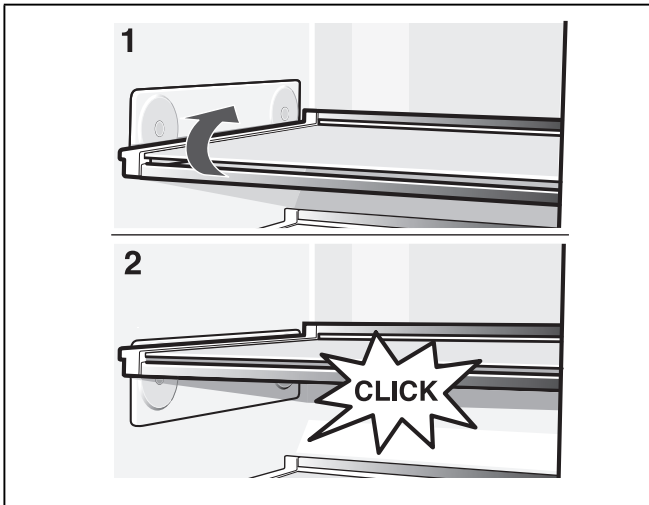




## Special features

(not all models)

### Adjustable glass shelf "easy Lift"



The height of the shelf can be adjusted without taking it out. Take food off the shelf beforehand.

The max. shelf load: 3 kg

## Switching off and disconnecting the appliance

### Switching off the appliance

Pull out mains plug or switch off fuse.  
Refrigerating unit switches off.

### Disconnecting the appliance

If you do not use the appliance for a prolonged period:

1. Take all food out of the appliance.
2. Pull out the mains plug or switch off the fuse.
3. Clean the appliance interior (see chapter "Cleaning the appliance").
4. Leave the appliance doors open to prevent odours from forming.

## Defrosting

### Freezer compartment

The fully automatic NoFrost system ensures that the freezer compartment remains free of ice. Defrosting is no longer required.

### Refrigerator compartment

Defrosting is actuated automatically.

The condensation runs through the drainage hole into an evaporation pan on the rear of the appliance.

## Cleaning the appliance

### ⚠ Warning

Never clean the appliance with a steam cleaner!

### ⚠ Caution

Do not use abrasive, chloride or acidic cleaning agents or solvents.

### ⚠ Caution

Do not use scouring or abrasive sponges. The metallic surfaces could corrode.

### ⚠ Caution

Never clean shelves and containers in the dishwasher. The parts may become deformed!

### Proceed as follows:

1. Before cleaning: Switch off the appliance.
2. Pull out mains plug or switch off fuse.
3. Take out the frozen food and store in a cool location. Place the ice pack (if enclosed) on the food.
4. Wait until the layer of frost has thawed.
5. Clean the appliance with a soft cloth, lukewarm water and a little pH neutral washing-up liquid. The rinsing water must not run into the light.
6. Wipe the door seal with clear water only and then wipe dry thoroughly.
7. After cleaning reconnect and switch the appliance back on.
8. Put the frozen food back into the appliance.

### Interior fittings

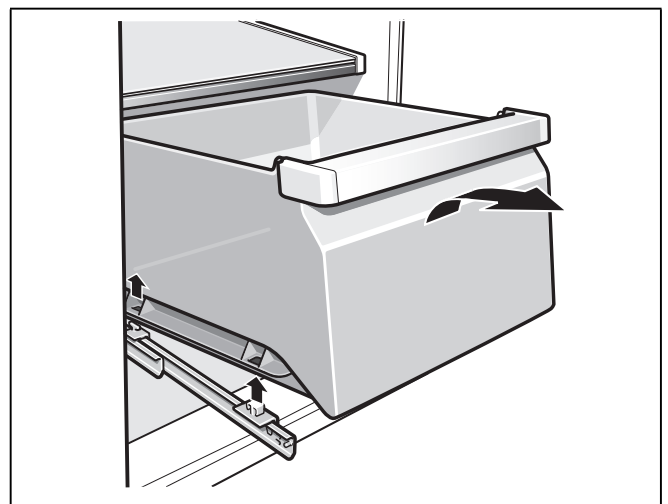
To clean the equipment, all variable parts of the appliance can be taken out (see chapter Variable interior design).

#### Note

To take out and clean the containers, open the doors fully beyond 90°.

### Removing the container

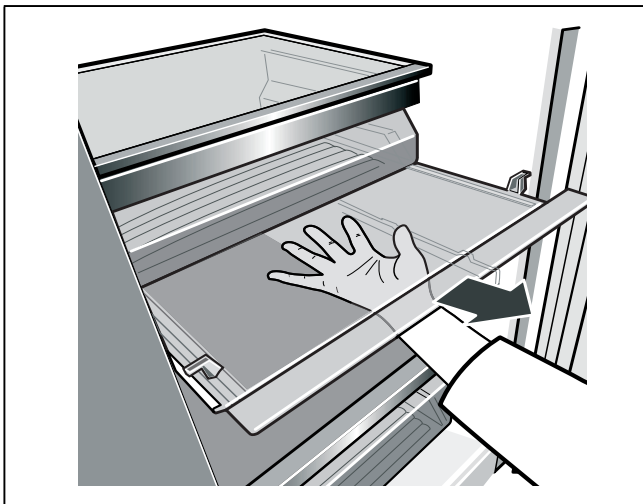
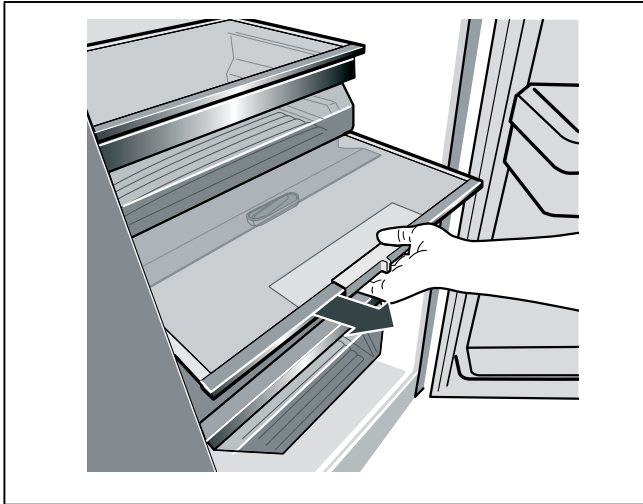
Pull out container all the way, lift to detach it from the holder and take out.



To insert the container, place on the telescopic rails and push into the appliance. Attach the container by pressing it down.

**Removing vegetable container with humidity control**

1. Pull out vegetable container.
2. Take out the glass shelf.
3. Remove the moisture cover.



**Replacing vegetable container with humidity control**

1. First replace the moisture cover.
2. Insert the glass shelf.
3. Slide the vegetable container back in.

**Light (LED)**

Your appliance features a maintenance-free LED light. These lights may be repaired by customer service or authorised technicians only.

**Tips for saving energy**

- Install the appliance in a dry, well ventilated room! The appliance should not be installed in direct sunlight or near a heat source (e.g. radiator, cooker). If required, use an insulating plate.
- Do not block the ventilation openings in the appliance.
- Allow warm food and drinks to cool down before placing in the appliance.
- Thaw frozen food in the refrigerator compartment and use the low temperature of the frozen food to cool refrigerated food.
- Open the appliance as briefly as possible.
- Ensure that the freezer compartment door is always closed properly.
- If available:  
Fit wall spacers to obtain the indicated energy rating of the appliance (see “Installing the appliance”, section “Ventilation”). A reduced wall gap will not restrict the function of the appliance. The energy rating may then increase slightly.
- The arrangement of the fittings does not affect the energy rating of the appliance.

**Operating noises**

**Quite normal noises**

**Droning**

Motors are running (e.g. refrigerating units, fan).

**Bubbling, humming or gurgling noises**

Refrigerant is flowing through the tubing.

**Clicking**

Motor, switches or solenoid valves are switching on/off.

**Preventing noises**

**The appliance is not level**

Please align the appliance with a spirit level. Use the height-adjustable feet or place packing underneath them.

**The appliance is not free-standing**

Please move the appliance away from adjacent units or appliances.

**Containers or storage areas wobble or stick**

Please check the removable parts and re-insert them correctly if required.

**Bottles or receptacles are touching each other**

Move the bottles or receptacles slightly away from each other.

## Eliminating minor faults yourself

Before you call customer service:

Please check whether you can eliminate the fault yourself based on the following information.

Run an appliance self-test (see chapter “Appliance self-test”).

Customer service will charge you for advice even if the appliance is still under guarantee!

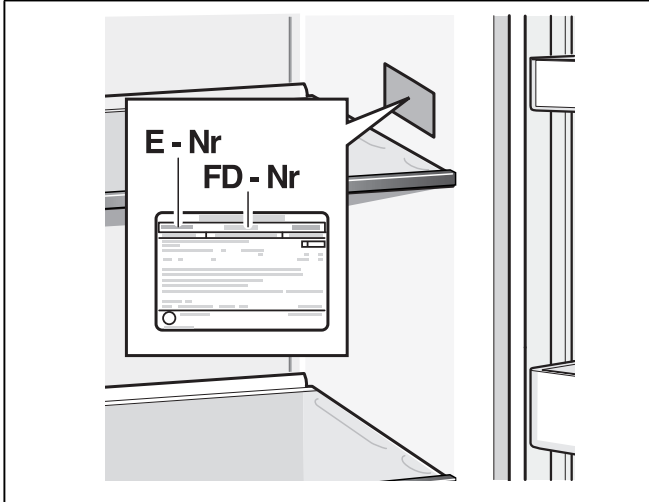
Fault	Possible cause	Remedial action
Temperature differs greatly from the set value.		In some cases it is adequate to switch off the appliance for 5 minutes. If the temperature is too high wait a few hours and check whether the temperature has approached the set value. If the temperature is too low check the temperature again the next day.
Displays do not illuminate.	Power failure; the fuse has been switched off; the mains plug has not been inserted properly.	Connect mains plug. Check whether the power is on, check the fuses.
The temperature display for the freezer section flashes, a warning signal sounds and the alarm off button lights up. The freezer section is too warm! Frozen food is at risk!		To switch off the warning signal, press alarm off button.
	Appliance is open.	Close the appliance.
	Ventilation openings are covered up.	Ensure that there is adequate ventilation.
The freezer section is too warm! Frozen food is at risk!	Too much food was placed in the freezer at once.	Do not exceed the freezing capacity.
		When the fault has been eliminated, the alarm display goes out shortly afterwards.
The light does not work.	Light switch is jammed.	Check whether the light switch can move.
	The light is defective.	(See chapter “Light”.)
Appliance has no refrigeration capacity.	Power failure.	Check whether the power is on.
The light does not work.	The fuse has been switched off.	Check the fuse.
The display does not illuminate.	The mains plug has not been inserted properly.	Check whether the mains plug is secure.
The refrigerating unit is switching on more frequently and for longer.	Appliance opened frequently.	Do not open the appliance unnecessarily.
	The ventilation openings are covered up.	Remove obstructions.
	Large quantities of fresh food are being frozen.	Do not exceed the freezing capacity.

---

## Customer service

Your local customer service can be found in the telephone directory or in the customer-service index. Please provide customer service with the appliance product number (E-Nr.) and production number (FD-Nr.).

These specifications can be found on the rating plate.



To prevent unnecessary call-outs, please assist customer service by quoting the product and production numbers. This will save you additional costs.

### Repair order and advice on faults

Contact information for all countries can be found on the enclosed customer service list.

GB	0344 892 8979	Calls charged at local or mobile rate.
IE	01450 2655	0.03 € per minute at peak. Off peak 0.0088 € per minute.
US	800 944 2904	toll-free



## Thank you for buying a Bosch Home Appliance!

Register your new device on MyBosch now and profit directly from:

- **Expert tips & tricks for your appliance**
- **Warranty extension options**
- **Discounts for accessories & spare-parts**
- **Digital manual and all appliance data at hand**
- **Easy access to Bosch Home Appliances Service**

Free and easy registration – also on mobile phones:  
[www.bosch-home.com/welcome](http://www.bosch-home.com/welcome)



## Looking for help? You'll find it here.

Expert advice for your Bosch home appliances, need help with problems or a repair from Bosch experts.

Find out everything about the many ways Bosch can support you:

[www.bosch-home.com/service](http://www.bosch-home.com/service)

**Contact data of all countries are listed in the attached service directory.**

### **Bosch Home Appliance Group**

P.O. Box 83 01 01

D-81701 Munich

Germany

[www.bosch-home.com](http://www.bosch-home.com)



8001197396 (0005)  
en