



Register your  
new device on  
MyBosch now and  
get free benefits:  
[bosch-home.com/  
welcome](https://bosch-home.com/welcome)

# Fridge-freezer

## KDN..

<b>en</b>	Instructions for use	Fridge-freezer	3
<b>tr</b>	Kullanma kılavuzu	Soğutma ve dondurma kombinasyonu	22

---

## en Table of contents

Safety and warning information .....	3	Freezing capacity .....	13
Information concerning disposal .....	6	Freezing and storing food .....	13
Scope of delivery .....	6	Freezing fresh food .....	13
Installation location .....	7	Super freezing .....	14
Observe ambient temperature and ventilation .....	7	Thawing frozen food .....	15
Connecting the appliance .....	8	Interior fittings .....	15
Getting to know your appliance .....	8	Sticker "OK" .....	16
Switching on the appliance .....	9	Switching off and disconnecting the appliance .....	16
Setting the temperature .....	10	Cleaning the appliance .....	17
Special functions .....	10	Light (LED) .....	17
Alarm function .....	10	Tips for saving energy .....	18
Usable capacity .....	11	Operating noises .....	18
Refrigerator compartment .....	11	Eliminating minor faults yourself .....	19
Super cooling .....	13	Appliance self-test .....	21
Freezer compartment .....	13	Customer service .....	21

---

## tr İçindekiler

Güvenlik ve ikaz bilgileri .....	22	Besinlerin dondurulması ve depolanması .....	33
Giderme bilgileri .....	25	Taze besinlerin dondurulması .....	33
Teslimat kapsamı .....	26	Süper dondurma .....	35
Cihazın kurulacağı yer .....	27	Dondurulmuş besinlerin buzunun çözülmesi .....	35
Mekan sıcaklığına ve havalandırmaya dikkat edilmelidir .....	27	Dolap .....	35
Cihazın elektrik şebekesine bağlanması .....	28	Çıkartma "OK" .....	36
Cihaz özelliklerinin öğrenilmesi .....	28	Cihazın kapatılması, cihazın tamamen kapatılması .....	36
Cihazın açılması .....	29	Cihazın temizlenmesi .....	37
Sıcaklık derecesinin ayarlanması .....	30	Aydınlatma (LED) .....	38
Özel fonksiyonlar .....	30	Enerji tasarrufu .....	38
Alarm fonksiyonu .....	30	Çalışma sesleri .....	39
Kullanılabilen hacim .....	31	Basit hataları kendiniz giderebilirsiniz .....	40
Soğutucu bölmesi .....	31	Cihazın kendini test etmesi .....	42
Süper soğutma .....	33	Müşteri hizmetleri .....	42
Dondurucu bölmesi .....	33		
Dondurma kapasitesi .....	33		

---

## Safety and warning information

### Before you switch ON the appliance

Please read the operating and installation instructions carefully! They contain important information on how to install, use and maintain the appliance. The manufacturer is not liable if you fail to comply with the instructions and warnings. Retain all documents for subsequent use or for the next owner.

### Technical safety



Fire hazard

The tubes of the refrigeration circuit convey a small quantity of an environmentally friendly but flammable refrigerant (R600a). It does not damage the ozone layer and does not increase the greenhouse effect. If refrigerant escapes, it may injure your eyes or ignite.

### If damage has occurred

- Keep naked flames and/or ignition sources away from the appliance,
- thoroughly ventilate the room for several minutes,
- switch off the appliance and pull out the mains plug,
- inform customer service.

The more refrigerant an appliance contains, the larger the room must be in which the appliance is situated. Leaking refrigerant can form a flammable gas-air mixture in rooms which are too small. The room must be at least 1 m<sup>3</sup> per 8 g of refrigerant. The amount of refrigerant in your appliance is indicated on the rating plate inside the appliance.

When installing the appliance, ensure that the mains cable is not trapped or damaged.

If the power cord of this appliance is damaged, it must be replaced by the manufacturer, Customer Service or a similarly qualified person. Improper installations and repairs may put the user at considerable risk.

Repairs may be performed by the manufacturer, customer service or a similarly qualified person only.

Only original parts supplied by the manufacturer may be used.

The manufacturer guarantees that only these parts satisfy the safety requirements.

Do not use multiple sockets, extension leads or adapters.



Fire hazard

Portable multiple outlets or power supplies may overheat, causing a fire.

Never leave portable multiple outlets or portable power supplies behind the appliance.

### **Important information when using the appliance**

- Never use electrical appliances inside the appliance (e.g. heaters, electric ice makers, etc.). Risk of explosion!
- Never defrost or clean the appliance with a steam cleaner! The steam may penetrate electrical parts and cause a short-circuit. Risk of electric shock!
- Do not use additional means to accelerate the defrosting process other than those recommended by the manufacturer. Risk of explosion!
- Do not use pointed or sharp-edged implements to remove frost or layers of ice. You might damage the refrigerant tubes. Leaking refrigerant may cause eye injuries or ignite.
- Do not store products which contain flammable propellant (e.g. spray cans) or explosive substances in the appliance. Risk of explosion!
- Do not stand on or lean heavily against the base of the appliance, drawers, doors, etc.
- For defrosting and cleaning, pull out the mains plug or switch off the fuse. Do not pull out the mains plug by tugging on the power cord.
- Store high-percentage alcohol tightly sealed and in an upright position.
- Keep plastic parts and the door seal free of oil and grease. Otherwise, plastic parts and the door seal will become porous.
- Never cover or block the ventilation openings of the appliance.

## ■ **Avoiding placing children and vulnerable people at risk:**

At risk here are children, people who have limited physical, mental or sensory abilities, as well as people who have inadequate knowledge concerning safe operation of the appliance.

Check that children and vulnerable people have understood the hazards.

A person responsible for safety must supervise or instruct children and vulnerable people who are using the appliance.

Only children aged 8 years and above may use the appliance.

Supervise children while the appliance is being cleaned or maintained.

Never allow children to play with the appliance.

- Do not store bottled or canned liquids (especially carbonated drinks) in the freezer compartment. Bottles and cans may burst!
- Never put frozen food straight from the freezer compartment in your mouth.  
Risk of low-temperature burns!

- Avoid prolonged touching of frozen food, ice or the evaporator pipes, etc.  
Risk of low-temperature burns!

## **Children in the household**

- Keep children away from packaging and its parts.  
Danger of suffocation from folding cartons and plastic film!
- Do not allow children to play with the appliance!
- If the appliance features a lock:  
keep the key out of the reach of children!

## **General regulations**

The appliance is suitable

- for refrigerating and freezing food,
- for making ice.

This appliance is intended for use in the home and the home environment.

The refrigeration circuit has been checked for leaks.

This appliance complies with the relevant safety regulations for electrical appliances and is fitted with noise suppression.

This appliance is intended for use up to a maximum height of 2000 metres above sea level.

---

## Information concerning disposal

### Disposal of packaging

The packaging protects your appliance from damage during transit. All utilised materials are environmentally safe and recyclable. Please help us by disposing of the packaging in an environmentally friendly manner.

Please ask your dealer or inquire at your local authority about current means of disposal.

### Disposal of your old appliance

Old appliances are not worthless rubbish! Valuable raw materials can be reclaimed by recycling old appliances.



This appliance is labelled in accordance with European Directive 2012/19/EU concerning used electrical and electronic appliances (waste electrical and electronic equipment - WEEE). The guideline determines the framework for the return and recycling of used appliances as applicable throughout the EU.

### Warning

Redundant appliances

1. Pull out the mains plug.
2. Cut off the power cord and discard with the mains plug.
3. Do not take out the trays and receptacles: children are therefore prevented from climbing in!
4. Do not allow children to play with the appliance once it has spent its useful life. Danger of suffocation!

Refrigerators contain refrigerant and gases in the insulation. Refrigerant and gases must be disposed of professionally. Ensure that tubing of the refrigerant circuit is not damaged prior to proper disposal.

---

## Scope of delivery

After unpacking all parts, check for any damage in transit.

If you have any complaints, please contact the dealer from whom you purchased the appliance or our customer service.

The delivery consists of the following parts:

- Free-standing appliance
- Interior fittings (depending on model)
- Bag containing installation materials
- Operating instructions
- Installation manual
- Customer service booklet
- Warranty enclosure
- Information on the energy consumption and noises

## Installation location

A dry, well ventilated room is suitable as an installation location. The installation location should not be exposed to direct sunlight and not placed near a heat source, e.g. a cooker, radiator, etc. If installation next to a heat source is unavoidable, use a suitable insulating plate or observe the following minimum distances from the heat source:

- 3 cm to electric or gas cookers.
- 30 cm to an oil or coal-fired cooker.

The floor of the installation location must not give way; if required, reinforce floor. If the floor is uneven, compensate with supports.

### Distance from wall

When installing the appliance, ensure that the door can be opened by 90°.

## Observe ambient temperature and ventilation

### Ambient temperature

The appliance is designed for a specific climate class. Depending on the climate class, the appliance can be operated at the following temperatures.

The climate class can be found on the rating plate. Fig. 13

Climate class	Permitted ambient temperature
SN	+10 °C to 32 °C
N	+16 °C to 32 °C
ST	+16 °C to 38 °C
T	+16 °C to 43 °C

### Note

The appliance is fully functional within the room temperature limits of the indicated climatic class. If an appliance of climatic class SN is operated at colder room temperatures, the appliance will not be damaged up to a temperature of +5 °C.

### Ventilation

Fig. 3

The air on the rear panel and on the side panels of the appliance heats up. Conduction of the heated air must not be obstructed. Otherwise, the refrigerating unit must work harder. This increases power consumption. Therefore: Never cover or block the ventilation openings!

## Connecting the appliance

After installing the appliance, wait at least 1 hour until the appliance is switched on. During transportation the oil in the compressor may have flowed into the refrigeration system.

Before switching on the appliance for the first time, clean the interior of the appliance (see chapter "Cleaning the appliance").

### Electrical connection

The socket must be near the appliance and also freely accessible following installation of the appliance.

#### Warning

Risk of electric shock!

If the length of the mains cable is inadequate, never use multiple sockets or extension leads. Instead, please contact Customer Service for alternatives.

The appliance complies with protection class I. Connect the appliance to 220–240 V/50 Hz alternating current via a correctly installed socket with protective conductor. The socket must be protected by a 10 A to 16 A fuse.

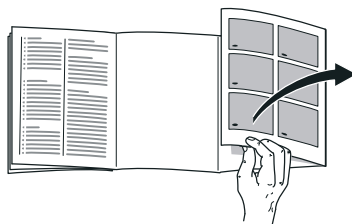
For appliances operated in non-European countries, check whether the indicated voltage and current type match the values of your electricity supply. This information can be found on the rating plate, Fig. **13**.

#### Warning

Never connect the appliance to electronic energy saver plugs.

Our appliances can be used with mains and sine-controlled inverters. Mains-controlled inverters are used for photovoltaic systems which are connected directly to the national grid. Sine-controlled inverters must be used for isolated applications (e.g. on ships or in mountain lodges) which are not connected directly to the national grid.

## Getting to know your appliance



Please fold out the illustrated last page. These operating instructions refer to several models.

The features of the models may vary.

The diagrams may differ.

Fig. **1**

\* Not all models.

- A Freezer compartment
- B Refrigerator compartment

- 1–10 Controls
- 11 Shelf for large bottles
- 12\* Ice maker
- 13 Light



- 14\* Bottle shelf
- 15 Cold storage compartment
- 16 Vegetable container with humidity control

## Controls

Fig. 2

- 1 **Temperature selection button freezer compartment**  
The button sets the temperature in the freezer compartment.
- 2 **Refrigerator compartment temperature selection button**  
The button sets the temperature in the refrigerator compartment.
- 3 **“super” display (freezer compartment)**  
Illuminates when super freezing is on.
- 4 **Refrigerator section super display**  
Lights up when super cooling is in operation.
- 5 **Temperature display freezer compartment**  
The numbers correspond to the set freezer compartment temperatures in °C.
- 6 **lock 3s button**  
Switches the button lock function on. If this function is switched on, no settings are possible via the controls.
- 7 **Button lock function display**  
This lights up when this function is switched on.
- 8 **Temperature display refrigerator compartment**  
The numbers correspond to the set refrigerator compartment temperatures in °C.

- 9 **Display**   
This lights up if an alarm is active. This happens if the appliance gets too hot inside.
- 10 **“Alarm off” button**  
This button is used to switch off the warning signal, (see chapter “Alarm function”).

---

## Switching on the appliance

1. First insert the plug into the connection on the back of the appliance. Check that the plug has been inserted all the way.
2. Then insert the other end of the cable into the socket.

The appliance is now switched on and a warning signal sounds.

Press the alarm off button to switch off the audible warning signal.

The 9 display goes out when the appliance has reached the set temperature.

The preset temperatures are reached after several hours. Do not put any food in the appliance beforehand.

The factory has recommended the following temperatures:

- Freezer compartment: -18 °C
- Refrigerator compartment: +4 °C

## Operating tips

- After the appliance has been switched on, it may take several hours until the set temperatures have been reached.
- The fully automatic NoFrost system ensures that the freezer section remains free of ice. Defrosting is no longer required.
- If the door cannot be immediately reopened after it has been closed, wait until the resulting low pressure has equalised.
- The front and side panels of the housing are partly heated slightly. This prevents condensation from forming.

---

## Setting the temperature

### Refrigerator compartment

The temperature can be set from +2 °C to +8 °C.

Keep pressing temperature setting button 2 until the required refrigerator compartment temperature is set.

The value last selected is saved. The set temperature is indicated on temperature display 8.

We recommend a factory setting of +4 °C in the refrigerator compartment.

Perishable food should not be stored above +4 °C.

### Freezer

The temperature can be set from -16 °C to -24 °C.

Keep pressing temperature setting button 1 until the required freezer compartment temperature is set.

The value last selected is saved. The set temperature is indicated on temperature display 5.

We recommend a factory setting of -18 °C in the freezer compartment.


---

## Special functions

Fig. 2

### Button lock function

To switch the button lock on and off, press **lock 3s** button for 3 seconds.

When the function is switched on, the  display lights up.

The control panel is now locked and so protected against unintentional operation.

---

## Alarm function

In the following cases an alarm may be actuated.

### Door alarm

If the appliance is left open for a while, the door alarm (interval tone) switches on and the temperature display of the compartment lights up. Close the door or press 10 alarm button to switch the alarm off.

## Temperature alarm

The temperature alarm switches on if the appliance gets too hot inside and the food is at risk of thawing. An interval tone sounds, the temperature display flashes and the 9 display lights up.

A temperature alarm may occur in these situations:

- Starting up the appliance for the first time  
Do not store any food until the appliance has reached the set temperature.
- Storing large quantities of fresh food in the appliance  
Switch on super freezing before storing large quantities of fresh food. Avoid contact between fresh food and food that is already frozen.
- Appliance door is open for a very long time  
Check whether food has defrosted at all. Do not refreeze food after it has defrosted, even if just partially.
- the appliance is being heated by a second refrigerator (side-by-side installation) or another heat source  
Call customer service and ask about ways of insulating your appliance.

### Note

Do not refreeze thawing or thawed food. Only ready meals (boiled or fried) may be refrozen.

No longer store the frozen produce for the max. storage period.

## Switching off the alarm

Fig. 2

Press the alarm button 10 to switch off the warning signal.

## Usable capacity

Information on the usable capacity can be found inside your appliance on the rating plate. Fig. 13

## Refrigerator compartment

The refrigerator compartment is the ideal storage location for meat, sausage, fish, dairy products, eggs, ready meals and pastries.

### Storing food

- Store fresh, undamaged food. The quality and freshness will then be retained for longer.
- In the case of ready-made products and bottled goods, observe the best-before date or use-by date specified by the manufacturer.
- To retain aroma, colour and freshness, pack or cover food well before placing in the appliance. This will prevent the transfer of flavours and the discolouration of plastic parts in the refrigerator compartment.
- Allow warm food and drinks to cool down before placing in the appliance.

### Note

Do not block air outlet openings with food, otherwise the air circulation will be impaired. Food which is stored directly in front of the air outlet openings may be frozen by the cold air flowing out.

## Note the chill zones in the refrigerator compartment

The air circulation in the refrigerator compartment creates different chill zones:

- The coldest zones are in front of the air outlet openings and in the chill compartment, Fig. **1**/15.

### Note

Store perishable food (e.g. fish, sausage, meat) in the coldest zones.

- Warmest zone is at the very top of the door.

### Note

Store e.g. hard cheese and butter in the warmest zone. The aroma of hard cheese can then continue to develop and butter remains spreadable.

## Vegetable container with humidity control

Fig. **7**

To create the optimum storage climate for fruit and vegetables, you can set the humidity level in the vegetable container:

- Mainly vegetables as well as for a mixed or small load – high air humidity
- Mainly fruit as well as for a large load – low air humidity

## Notes

- Fruit sensitive to cold (e.g. pineapple, banana, papaya and citrus fruit) and vegetables sensitive to cold (e.g. aubergines, cucumbers, zucchini, peppers, tomatoes and potatoes) should be stored outside the refrigerator at temperatures of approx. +8 °C to +12 °C for optimum preservation of quality and flavour.
- Condensation may form in the vegetable container depending on the type and quantity of products stored. Remove condensation with a dry cloth and adjust air humidity in the vegetable container with the humidity controller.

## Cold storage compartment

Fig. **8**

The cold storage compartment has lower temperatures than the refrigerator compartment. Even temperatures below 0 °C may occur.

Ideal for storing fish, meat and sausage. Not suitable for lettuce and vegetables and produce sensitive to cold.

The temperature of the chill compartments can be varied using the ventilation opening. Push temperature controller upwards to reduce the temperature. Push temperature controller downwards to increase the temperature. Fig. **6**

---

## Super cooling

Super cooling sets the refrigerator temperature to the coldest temperature setting for approx. 6 hours. Then the appliance automatically switches to the temperature set prior to super cooling mode.

Switch on super cooling mode, e.g.

- before placing large quantities of food in the refrigerator compartment.
- for the fast cooling of drinks.

## Switching on and off

Fig. 2

Keep pressing the temperature setting button 2 until the super indicator 4 is lit.

### Note

When super cooling is switched on, increased operating noises may occur.

---

## Freezer compartment

### Use the freezer compartment

- To store deep-frozen food.
- To make ice cubes.
- To freeze food.

### Note

Ensure that the freezer compartment door has been closed properly. If the door is open, the frozen food will thaw. The freezer compartment will become covered in thick ice. Also: waste of energy due to high power consumption!

---

## Freezing capacity

Information on the freezing capacity can be found on the rating plate. Fig. 13

---

## Freezing and storing food

### Purchasing frozen food

- Packaging must not be damaged.
- Use by the "use by" date.
- Temperature in the supermarket freezer must be -18 °C or lower.
- If possible, transport deep-frozen food in a cool bag and place quickly in the freezer compartment.

---

## Freezing fresh food

Freeze fresh and undamaged food only.

To retain the best possible nutritional value, flavour and colour, vegetables should be blanched before freezing.

Aubergines, peppers, zucchini and asparagus do not require blanching.

Literature on freezing and blanching can be found in bookshops.

### Note

Keep food which is to be frozen away from food which is already frozen.

- The following foods are suitable for freezing:  
Cakes and pastries, fish and seafood, meat, game, poultry, vegetables, fruit, herbs, eggs without shells, dairy products such as cheese, butter and quark, ready meals and leftovers such as soups, stews, cooked meat and fish, potato dishes, soufflés and desserts.
- The following foods are not suitable for freezing:  
Types of vegetables, which are usually consumed raw, such as lettuce or radishes, eggs in shells, grapes, whole apples, pears and peaches, hard-boiled eggs, yoghurt, soured milk, sour cream, crème fraîche and mayonnaise.

## Packing frozen food

To prevent food from losing its flavour or drying out, place in airtight containers.

1. Place food in packaging.
2. Remove air.
3. Seal the wrapping.
4. Label packaging with contents and date of freezing.

### Suitable packaging:

Cling wrap, tubular film made of polyethylene, aluminium foil, freezer containers.

These products are available from specialist outlets.

### Unsuitable packaging:

Wrapping paper, greaseproof paper, cellophane, bin liners and used shopping bags.

### Items suitable for sealing packaged food:

Rubber bands, plastic clips, string, cold-resistant adhesive tape, etc.

Bags and tubular film made of polyethylene (PE) can be sealed with a film heat sealer.

## Shelf life of frozen food

Storage duration depends on the type of food.

At a temperature of -18 °C:

- Fish, sausage, ready meals and cakes and pastries:  
up to 6 months
- Cheese, poultry and meat:  
up to 8 months
- Vegetables and fruit:  
up to 12 months

---

## Super freezing

Food should be frozen solid as quickly as possible in order to retain vitamins, nutritional value, appearance and flavour.

Several hours before placing fresh food in the freezer compartment, switch on super freezing to prevent an unwanted temperature rise.

As a rule, 4–6 hours is adequate.

This appliance runs constantly and the freezer compartment drops to a very low temperature.

If the max. freezing capacity is to be used, super freezing must be switched on for 24 hours before the fresh produce is placed in the freezer compartment.

Smaller quantities of food (up to 2 kg) can be frozen without “super freezing”.

### Note

When super freezing is switched on, increased operating noises may occur.

## Switching on and off

Fig. 2

Keep pressing the temperature selection button 1 until the Super display 3 is lit.

Super freezing automatically switches off after approx. 2½ days.

## Thawing frozen food

Depending on the type and application, select one of the following options:

- at room temperature
- in the refrigerator
- in an electric oven, with/without fan assisted hot-air
- in the microwave

### Caution

Do not refreeze thawing or thawed food. Only ready meals (boiled or fried) may be refrozen.

No longer store the frozen produce for the max. storage period.

## Interior fittings

### Shelves and containers

You can reposition the inner shelves and the containers in the door as required: pull shelf forwards, lower and swivel out to the side. Lift the container and remove.

### Special features

(not all models)

#### Bottle shelf

Fig. 5

Bottles can be stored securely on the bottle shelf.

#### Ice maker

Fig. 11

1. Take out the ice cube tray.
2. Fill the ice cube tray  $\frac{3}{4}$  full with drinking water.
3. Re-insert the ice cube tray.
4. When the ice cubes are frozen, rotate the knob on the ice cube tray several times to the right and release.  
The ice cubes loosen and fall into the storage container.
5. Remove the ice cubes from the storage container.

**Ice cube tray**

Fig. 9

1. Fill the ice cube tray  $\frac{3}{4}$  full of drinking water and place in the freezer compartment.
2. If the ice tray is stuck to the freezer compartment, loosen with a blunt implement only (spoon-handle).
3. To loosen the ice cubes, twist the ice tray slightly or hold briefly under flowing water.

**Vegetable drawer divider**

Fig. 10

The divider can be removed and placed somewhere else again.

**Sticker “OK”**

(not all models)

The sticker “OK” lets you check whether the refrigerator compartment achieves the safe temperature ranges of +4 °C or colder recommended for food. If the sticker does not indicate “OK”, gradually reduce the temperature.

**Note**

When the appliance is switched on, it may take up to 12 hours until the set temperature is reached.

**Correct setting****Switching off and disconnecting the appliance****Switching off the appliance**

Press alarm off button for 15 seconds. The refrigeration unit switches off.

To switch it back on, press alarm off button for 15 seconds.

**Disconnecting the appliance**

If you do not use the appliance for a prolonged period:

1. Pull out the mains plug or switch off the fuse.
2. Clean the appliance.
3. Leave appliance doors open.

**Note**

To avoid damage to the appliance, appliance doors must be opened far enough that they remain in that position on their own. Do not jam any objects into the door to prop it open.



## Cleaning the appliance

### Caution

- Do not use abrasive, chloride or acidic cleaning agents or solvents.
- Do not use scouring or abrasive sponges.  
The metallic surfaces could corrode.
- Never clean shelves and containers in the dishwasher.  
The parts may become deformed!

### The cleaning water must not get into the following areas:

- Controls
- Illumination
- Ventilation openings
- Openings in the separating plate

### Proceed as follows:

1. Pull out the mains plug or switch off the fuse.
2. Take out the frozen food and store in a cool location. Place ice pack (if available) on the food.
3. The rinsing water must not drip into the controls, lighting, ventilation openings or the openings in the partition!  
Clean the appliance with a soft cloth, lukewarm water and a little pH-neutral washing-up liquid.
4. Wipe the door seal with clear water only and then wipe dry thoroughly.
5. After cleaning reconnect the appliance.
6. Put the frozen food back into the appliance.

## Interior fittings

All variable parts of the appliance can be taken out for cleaning.

### Take out shelves in the door

Fig. **4**

Lift shelves upwards and take out.

### Take out glass shelves

Pull the glass shelves forwards and take out.

### Removing the container

Fig. **8**

Pull out the container all the way, lift at the front and remove.

### Cleaning the ice maker

Clean the ice maker regularly. This will prevent ice cubes, which were made quite a long time ago, from shrinking, having a stale taste or sticking together.

Fig. **12**

1. Remove and empty the ice cube tray and storage container.
2. Press the push-button to release the ice maker from the holder.
3. Remove the ice maker.
4. Lift the rear end of the holder and lower behind the glass plate.
5. Remove the holder towards the front.
6. Clean all parts of the ice maker with warm water.
7. Allow all parts to dry completely.
8. Assemble the ice maker in reverse order and insert.

## Light (LED)

Your appliance features a maintenance-free LED light.

These lights may be repaired by customer service or authorised technicians only.

---

## Tips for saving energy

- Install the appliance in a dry, well ventilated room! The appliance should not be installed in direct sunlight or near a heat source (e.g. radiator, cooker).  
If required, use an insulating plate.
- Allow warm food and drinks to cool down before placing in the appliance.
- Thaw frozen food in the refrigerator compartment and use the low temperature of the frozen food to cool refrigerated food.
- Open the appliance as briefly as possible.
- To achieve the lowest energy consumption, leave a small wall gap at the side.
- Do not block the ventilation openings in the appliance.
- Do not remove or relocate the upper glass shelf.

---

## Operating noises

### Quite normal noises

#### Note

When super freezing is switched on, increased operating noises may occur.

#### Droning

Motors are running (e.g. refrigerating units, fan).

#### Bubbling, humming or gurgling noises

Refrigerant is flowing through the tubing.

#### Clicking

Motor, switches or solenoid valves are switching on/off.

#### Cracking

Automatic defrosting is running.

#### Sizzling

The NoFrost system defrosts, water droplets evaporate.

### Preventing noises

#### The appliance is not level

Please align the appliance with a spirit level. Use the height-adjustable feet or place packing underneath them.

#### The appliance is not free-standing

Please move the appliance away from adjacent units or appliances.

#### Containers or storage areas wobble or stick

Please check the removable parts and re-insert them correctly if required.

#### Bottles or receptacles are touching each other

Move the bottles or receptacles slightly away from each other.

## Eliminating minor faults yourself

Before you call customer service:

Please check whether you can eliminate the fault yourself based on the following information.

Customer service will charge you for advice – even if the appliance is still under guarantee!

Fault	Possible cause	Remedial action
Temperature differs greatly from the set value.		In some cases it is adequate to switch off the appliance for 5 minutes. If the temperature is too high wait a few hours and check whether the temperature has approached the set value. If the temperature is too low check the temperature again the next day.
It is too cold in the refrigerator section or in the chill compartment.		Increase the temperature in the refrigerator section. Push temperature controller for the chill compartment downwards. Fig. <b>6</b>
The temperature in the freezer section is too warm.	Appliance opened frequently.	Do not open the appliance unnecessarily.
	The ventilation openings have been covered.	Remove obstructions.
	Large quantities of fresh food are being frozen.	Do not exceed the freezing capacity.
Appliance is not cooling, temperature display and light are lit up.	Showroom mode is switched on.	<ol style="list-style-type: none"> <li>1. Unplug the appliance and then plug back in.</li> <li>2. Within the next 10 seconds press the temperature setting buttons for the freezer compartment and the refrigerator compartment for 15 seconds. A confirmation tone sounds.</li> <li>3. After a short time check whether your appliance is cooling.</li> </ol>
The side panels of the appliance are warm.	Pipes run into the side panels which heat during the cooling process.	That is normal behaviour for the appliance and not a fault. Furniture touching the appliance will not be damaged by the heat.

<b>Fault</b>	<b>Possible cause</b>	<b>Remedial action</b>
The appliance displays a temperature alarm for no apparent reason.	<p>A heat source is located too close to the appliance.</p> <p>A second refrigerator is located right next to the appliance (side-by-side installation).</p>	Call customer service.
The light does not function.	<p>The LED light is defective.</p> <p>Appliance was open too long.</p> <p>Light is switched off after approx. 10 min.</p>	<p>See chapter “Light (LED)” section.</p> <p>When the appliance is closed and opened, the light is on again.</p>
Displays do not illuminate.	Power failure; the fuse has been switched off; the mains plug has not been inserted properly.	Connect mains plug. Check whether the power is on, check the fuses.
Freezer compartment door was open for a long time; temperature is no longer reached.	The evaporator (refrigeration generator) in the NoFrost system is covered in thick ice and can no longer be defrosted fully automatically.	<p>To defrost the evaporator, remove the frozen food with the compartments, insulate well and store in a cool location.</p> <p>Switch off the appliance and move it away from the wall. Leave the appliance door open. After approx. 20 min. the condensation begins to run into the evaporation pan, at the rear of the appliance.</p> <p>To prevent the evaporation pan from overflowing in this case, mop up the condensation with a sponge.</p> <p>The evaporator is defrosted when the water stops running into the evaporation pan. Clean the interior. Switch the appliance back on again.</p>
Condensation accumulates on the surface of the appliance and on the shelves inside.	The effect is reinforced if ambient temperatures are warm and humid.	<p>Wipe away the water with a soft, dry cloth.</p> <ul style="list-style-type: none"> <li>■ Open the appliance as briefly as possible</li> <li>■ Make sure that the appliance is always closed properly.</li> </ul>

## Appliance self-test

Your appliance features an automatic self-test program which shows you sources of faults which may be repaired by customer service only.

### Starting the appliance self-test

1. Switch the appliance off and wait 5 minutes.
2. Switch on the appliance and within the first 2 minutes press and hold 1 temperature setting button for the freezer section for 5 seconds until an audible signal sounds.

The self-test program will start.

If the self-test ends and an audible signal sounds twice, your appliance is in working order.


If 5 audible signals sound, there is an error. Notify customer service.

### Ending the appliance self-test

When the programme has ended, the appliance switches over to normal operation.

## Customer service

Your local customer service can be found in the telephone directory or in the customer service index. Please give customer service the product number (E-Nr.), the production number (FD) and the consecutive numbering (Z-Nr.) of the appliance.

This information can be found on the rating plate. 

This way you will help to prevent unnecessary callouts and save the associated additional costs.

### Repair order and advice on faults

Contact information for all countries can be found on the enclosed customer service list.

GB	0344 892 8979	Calls charged at local or mobile rate.
IE	01450 2655	0.03 € per minute at peak. Off peak 0.0088 € per minute.
US	800 944 2904	toll-free

## Güvenlik ve ikaz bilgileri

### Cihazı çalıştırmadan önce

Kullanma ve montaj kılavuzlarını dikkatlice okuyunuz!

Bu kılavuzlarda cihazın kurulması, yerleştirilmesi, kullanılması ve bakımı ile ilgili önemli bilgiler bulunmaktadır.

Üretici, kullanma talimatlarındaki bilgi ve uyarıları dikkate almazsanız, herhangi bir sorumluluk üstlenmez. Tüm belge ve dokümanları sonradan kullanma ihtimalinden veya cihazı satacak olursanız, yeni sahibi için saklayınız.

### Teknik güvenlik



Yangın tehlikesi

Soğutma devresinin boruları içinde az miktarda çevre dostu, ancak yanıcı olan soğutma maddesi (R600a) akar. Ozon tabakasına zarar vermez ve sera etkisini fazlalaştırmaz. Eğer soğutma maddesi dışarı sızarsa, gözleri yaralayabilir veya alevlenebilir.

### Hasar durumunda

- Açık ateş veya alev kaynakları cihazdan uzak tutulmalıdır.
- Cihazın kurulu olduğu yer birkaç dakika havalandırılmalıdır.
- Cihazı kapatınız ve elektrik fişini çekip prizden çıkarınız.
- Yetkili servise haber verilmelidir.

Bir cihaz ne kadar fazla soğutucu madde ihtiva ederse, kurulduğu yer de o derece büyük olmalıdır. Çok küçük yerlerde, soğutma maddesi devresinde bir kaçak söz konusu olduğunda, yanıcı bir gaz hava karışımı oluşabilir. Her 8 gram soğutucu madde için gerekli olan yerin hacmi en az 1 m<sup>3</sup> kadardır. Cihazınızın içinde bulunan soğutma maddesinin miktarı, cihazın iç kısmındaki tip levhasında yazılıdır.

Cihazın kurulması sırasında elektrik bağlantı kablusunun sıkışmamasına veya hasar görmemesine dikkat ediniz.

Bu cihazın elektrik bağlantı kablosu hasar görürse, kablonun üretici, yetkili servis veya benzer ustalık özelliklerine sahip bir kişi tarafından değiştirilmesi gerekir. Hatalı veya gerektiği şekilde yapılmayan kurma çalışmaları ve onarımlardan dolayı cihazı kullanan kişi için oldukça önemli tehlikeler ortaya çıkabilir.

Onarımlar sadece üretici, yetkili servis veya benzeri eğitime sahip yetkili bir kişi tarafından yapılmalıdır.

Sadece üreticinin orijinal parçaları kullanılmalıdır. Üretici sadece bu parçalarda güvenlik taleplerine uyulduğunu garanti eder.

Çoklu prizler, uzatma kabloları veya adaptörler kullanmayınız.



Yangın tehlikesi

Taşınabilir çoklu prizler veya taşınabilir güç kaynakları aşırı ısınabilir ve yangına neden olabilir.

Taşınabilir çoklu prizleri veya taşınabilir güç kaynaklarını cihazın arkasına yerleştirmeyiniz.

## Kullanım esnasında

- Cihazın içinde kesinlikle elektrikli cihazlar kullanmayınız (örn. ısıtma cihazları, elektrikli buz yapma makineleri vs.). Patlama tehlikesi!
- Cihazı temizlemek veya buzunu çözmek için asla buharlı temizleme cihazları kullanmayınız! Buhar elektrikli parçalara temas edebilir ve kısa devre olmasına sebep olabilir. Elektrik çarpma tehlikesi!
- Buz çözmeyi hızlandırmak için, üreticinin talimatları haricinde bir ilave önleme başvurmuyunuz. Patlama tehlikesi!
- Kar, kırağı ve buz tabakalarını temizlemek için sivri veya keskin kenarlı cisimler kullanmayınız. Aksi halde cihazın soğutucu madde boruları zarar görebilir. Dışarı fışkıran soğutucu madde tutuşup yanabilir veya göz yaralanmasına sebep olabilir.
- Yanıcı tahrik gazı ihtiva eden ürünleri (örn. sprey kutuları) ve patlayıcı maddeleri cihazın içinde bulundurmuyunuz. Patlama tehlikesi!

- Cihazın tabanını, raflarını, kapılarını ve benzer parçalarını basamak veya destek olarak kullanmayınız.
- Buz çözme ve temizleme işlemi için, cihazın elektrik fişini prizden çekip çıkarınız veya bağlı olduğu sigortayı kapatınız. Fişi prizden çıkarırken kablodan değil fişin kendisinden tutunuz.
- Alkol oranı yüksek olan sıvı dolu şişeleri iyice kapatarak ve dik olarak buzdolabına koyunuz.
- Cihazın plastik parçalarına ve kapının contasına sıvı ve katı yağ değmemesine özen gösteriniz. Aksi halde plastik parçalar ve kapı contası delinip aşınabilir.
- Cihazın hava giriş ve çıkış delikleri kesinlikle örtülmemeli ve önleri kapatılmamalıdır.

### ■ **Çocuklar ve tehlikeye maruz kalabilecek kişiler için söz konusu olabilecek risklerin önlenmesi:**

Çocuklar ve bedensel, ruhsal veya algısal yetenekleri sınırlı olan veya cihazın güvenli kullanılması hakkında yeterince bilgisi olmayan kişiler tehlikeye maruz kalabilecek kişiler olarak kabul edilirler.

Çocukların ve söz konusu tehlikeye maruz kalabilecek kişilerin tehlikeleri anlamış olmasını sağlayınız.

Güvenlikten sorumlu bir kişi çocukları ve tehlikeye maruz kalabilecek kişileri cihaz kullanılırken denetlemeli veya onlara rehberlik etmelidir.

Sadece 8 yaşından büyük çocukların cihazı kullanmasına izin veriniz.

Temizleme ve bakım çalışmalarında çocukları denetleyiniz.

Çocukların cihaz ile oynamasına kesinlikle izin vermeyiniz.



- Şişe ve kutu içindeki sıvı maddeleri (özellikle karbonik asit ihtiva eden içecekleri) dondurucu bölümünde depolamayınız.Şişe ve kutular patlayabilir!
- Dondurulmuş besinleri kesinlikle dondurucudan çıkarır çıkarmaz ağızınıza almayınız.  
Donma yanığı tehlikesi!
- Ellerinizi uzun bir süre dondurulmuş besine, buza veya buharlaştırıcı borularına vs. temas etmesini önleyiniz.  
Donma yanığı tehlikesi!

### Evdeki çocuklar

- Ambalajları ve ambalaj parçalarını çocuklara vermeyiniz.  
Katlanan kartonlardan ve folyolardan dolayı boğulma tehlikesi söz konusudur!
- Bu cihaz, çocuk oyuncağı değildir.
- Kilit tertibatı olan cihazlarda: Anahtarı çocukların erişemeyecekleri bir yerde muhafaza ediniz!

### Genel yönetmelikler

Cihaz,

- besinlerin soğutulması ve dondurulması için kullanılır,
  - buz hazırlamak için kullanılır.
- Bu cihaz evde ve ev ortamında kişisel kullanımınız içindir, ticari amaçlı kullanım için öngörülmemiştir.

Soğutucu madde devresinin sızdırmazlığı kontrol edilmiştir.

Bu cihaz, elektronik cihazlar için genel olarak geçerli olan güvenlik yönetmeliklerine uygundur ve elektriksel parazitlenmeye karşı korunmuştur.

Bu cihaz, deniz seviyesinden en fazla 2000 metre yükseklikte kullanılmak üzere tasarlanmıştır.

### Giderme bilgileri

#### Yeni cihazın Ambalajının giderilmesi

Ambalaj, cihazınızı transport hasarlarına karşı korur. Ambalajda kullanılmış olan tüm malzemeler, çevreye zarar vermeyen türdendir ve yeniden kullanılabilir. Lütfen siz de yardımcı olunuz: Ambalajı çevreye zarar vermeyecek şekilde gideriniz.

Güncel giderme yol ve yöntemleri hakkında bilgi edinmek için, lütfen yetkili satıcınıza veya bağlı olduğunuz belediye idaresine başvurunuz.

## AEEE Yönetmeliğine Uyum ve Atık Ürünün Elden Çıkarılması

Ambalaj malzemesini çevre kurallarına uygun şekilde imha ediniz.



Bu ürün T.C. Çevre ve Şehircilik Bakanlığı tarafından yayımlanan “Atık Elektrikli ve Elektronik Eşyaların Kontrolü Yönetmeliği”nde belirtilen zararlı ve yasaklı maddeleri içermez.

AEEE yönetmeliğine uygundur.

Bu ürün, geri dönüşümlü ve tekrar kullanılabilir nitelikteki yüksek kaliteli parça ve malzemelerden üretilmiştir. Bu nedenle, ürünü, hizmet ömrünün sonunda evsel veya diğer atıklarla birlikte atmayın. Elektrikli ve elektronik cihazların geri dönüşümü için bir toplama noktasına götürün. Bu toplama noktalarını bölgenizdeki yerel yönetime sorun. Kullanılmış ürünleri geri kazanıma vererek çevrenin ve doğal kaynakların korunmasına yardımcı olun. Ürünü atmadan önce çocukların güvenliği için elektrik fişini kesin ve kilit mekanizmasını kırarak çalışmaz duruma getirin.

### Uyarı

Eskimiş ve artık kullanılmayacak cihazlarda:

1. Elektrik fişini çekip prizden çıkarınız.
2. Elektrik kablosunu kesip, fişi ile birlikte cihazdan ayırınız.

3. Çocukların cihazın içine girmesini zorlaştırmak için, rafları, çekmeceleri ve eşya gözlerini cihazdan çıkarmayınız.
4. Çocukların eskimiş cihaz ile oynamasına izin vermeyiniz. Boğulma tehlikesi!

Soğutma cihazlarının içinde soğutucu maddeler vardır, yalıtım tertibatlarında ise izolasyon gazları vardır. Soğutucu maddeler ve gazlar uzmanca giderilmelidir. Eski cihaz uzmanca ve çevreye zarar vermeyecek şekilde giderilinceye kadar, soğutucu madde sirkülasyon borularının zarar görmemesine dikkat ediniz.

## Teslimat kapsamı

Ambalajdan çıkardıktan sonra, tüm parçaları olası transport hasarları açısından kontrol ediniz.

Şikayet veya itiraz söz konusu olduğunda, lütfen cihazı satın aldığınız yetkili satıcınıza veya yetkili servisimize başvurunuz.

Teslimat kapsamı, aşağıdaki parçalardan oluşmaktadır:

- Solo cihaz
- Donanım (modele bağlı)
- Montaj malzemelerini içeren torba
- Kullanma kılavuzu
- Montaj kılavuzu
- Yetkili servis defteri
- Garanti ekleri
- Enerji tüketimi ve çalışma sesleri ile ilgili bilgiler

## Cihazın kurulacağı yer

Cihazın kurulacağı yerin kuru ve havalandırılabilen bir yer olması gerekir. Cihazın kurulduğu yer doğrudan güneş ışınlarına maruz kalmamalı ve ocak, radyatör vs. gibi bir ısı kaynağının yanında olmamalıdır. Eğer cihazın bir ısı kaynağının yanına kurulması önlenemiyorsa, uygun bir izolasyon levhası kullanılmalıdır veya ısı kaynağına olan asgari mesafe aşağıdaki gibi olmalıdır:

- Elektrikli veya gazlı ocak ve fırınlarda: 3 cm.
- Gaz yağı ve kömür sobalarından: 30 cm.

Cihazın kurulacağı yerdeki zemin esnememelidir, gerekirse takviye ediniz. Zeminin düzgün olmaması halinde, uygun altlıklar kullanarak, dengesizliği gideriniz.

### Duvar mesafesi

Cihazı, cihaz kapısı 90° açılabilen şekilde kurunuz.

## Mekan sıcaklığına ve havalandırmaya dikkat edilmelidir

### Mekan sıcaklığı

Bu cihaz belli bir klima sınıfı için tasarlanmıştır. Klima sınıfına bağlı olarak bu cihazı şu çevre sıcaklıklarında kullanabilirsiniz.

İklim sınıfı tip levhasının üzerinde bulunur, Resim 13.

Klima sınıfı	Kabul edilebilir mekan sıcaklığı
SN	+10 °C ile 32 °C
N	+16 °C ile 32 °C
ST	+16 °C ile 38 °C
T	+16 °C ile 43 °C

### Bilgi

Cihaz, bildirilmiş klima sınıfına ait oda sıcaklığı sınırları dahilinde, sahip olduğu tüm işlevleri ile çalışır. Eğer SN klima sınıfına dahil olan bir cihaz daha soğuk oda sıcaklıklarında işletilirse, +5 °C'ye kadar cihazda herhangi bir hasar olmayacağı garanti edilir.

### Havalandırma

Resim 3

Cihazın arka yüzündeki ve yan yüzlerindeki hava ısınır. Isınan bu havanın kolayca çıkıp gidebilmesi gerekir. Aksi halde soğutucunun daha fazla çalışması gerekir. Bu da daha fazla elektrik sarfiyatına yol açar. Bu sebepten dolayı: Havalandırma deliklerinin önünün kesinlikle kapanmamasına dikkat ediniz!

## Cihazın elektrik şebekesine bağlanması

Cihazı kurduktan sonra, çalıştırmadan önce en az 1 saat bekleyiniz. Transport esnasında, kompresörün içindeki yağ soğutma sistemi içine dağılıbilir.

Cihazı ilk kez devreye sokmadan önce, cihazın içini temizleyiniz (bakınız bölüm "Cihazın temizlenmesi").

### Elektrik bağlantısı

Priz cihazın yakınında olmalı ve cihaz kurulduktan sonra da rahat ulaşılabilir olmalıdır.

#### ⚠ Uyarı

Elektrik çarpma tehlikesi!

Elektrik kablosunun uzunluğu yeterli değilse, kesinlikle çoklu prizler veya uzatma kabloları kullanmayınız. Onun yerine alternatif seçenekler için yetkili servis ile irtibata geçiniz.

Cihaz, koruma sınıfı I tipi bir cihazdır. Cihazı 220–240 V/50 Hz alternatif akım üzerinden, kurallara uygun şekilde monte edilmiş, toprak hattına sahip bir prize bağlayınız. Priz, 10 A – 16 A değerinde bir sigortaya sahip olmalıdır.

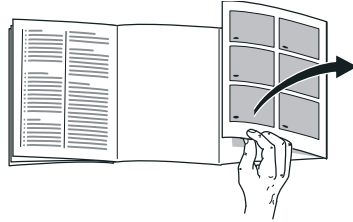
Avrupa ülkelerinde işletilmeyen cihazlarda, bildirilen gerilimin ve akım türünün, sizin elektrik şebekenizin değerleri ile uyuşup uyuşmadığını kontrol ediniz. Bu bilgileri, tip levhası üzerinde bulabilirsiniz, Resim 13.

#### ⚠ Uyarı

Bu cihaz kesinlikle elektronik enerji tasarruf prizlerine bağlanmamalıdır.

Cihazlarımızın işletilmesinde şebeke ve sinüs kontrollü konvertisörler kullanılabilir. Şebeke kontrollü konvertisörler, doğrudan umumi elektrik şebekesine bağlanan fotovoltaik sistemlerde kullanılır. Umumi elektrik şebekesine doğrudan bağlantısı olmayan tekil uygulamalarda (örn. gemilerde veya dağ evlerinde ya da dağ kulübelerinde), sinüs kontrollü konvertisörler kullanılmalıdır.

## Cihaz özelliklerinin öğrenilmesi



Lütfen önce resimlerin bulunduğu son sayfayı açınız. Bu kullanma kılavuzu birçok cihaz modeli için geçerlidir.

Modellerin donanım kapsamı farklı olabilir.

Resimlerde farklılıklar olabilir.

Resim 1

\* Her model için geçerli değil.

- A Dondurucu bölmesi
- B Soğutucu bölmesi


- 1–10 Kumanda elemanları
- 11 Büyük şişe rafı
- 12\* Buz hazırlayıcı

- 13 Aydınlatma
- 14\* Şişe rafı
- 15 Soğuk depolama bölümü
- 16 Nem ayar düzeneğine sahip sebze kabı

## Kumanda elemanları

Resim 2

- 1 **Dondurucu bölmesi ısı ayar tuşu**  
Bu tuş ile, dondurucu bölmesinin ısı derecesi ayarlanır.
- 2 **Soğutucu bölmesi sıcaklık derecesi ayar düğmesi**  
Bu tuş ile, soğutucu bölmesinin ısı derecesi ayarlanır.
- 3 **"Super" göstergesi (dondurucu bölmesi)**  
Bu gösterge sadece, süper dondurma fonksiyonu devrede olduğu zaman yanar.
- 4 **"Super" göstergesi (soğutucu bölmesi)**  
Süper soğutma fonksiyonu devrede olduğu zaman yanar.
- 5 **Dondurucu bölmesi ısı derecesi göstergesi**  
Işıklı gösterge çubuğundaki sayılar, dondurucu bölmesindeki soğukluk derecesinin °C türünden değerine eşittir.
- 6 **lock 3s tuşu**  
Tuş kilidi fonksiyonunu açar. Bu fonksiyon devreye sokulmuşsa, kumanda elemanları üzerinden herhangi bir ayarlama yapmak mümkün değildir.
- 7 **Tuş kilidi fonksiyonu göstergesi**  
Bu fonksiyon açık olduğunda yanar.
- 8 **Soğutucu bölmesi ısı derecesi göstergesi**  
Sayılar, soğutma bölmesindeki ısı derecelerini °C türünden gösterir.

- 9 **Gösterge**   
Bir alarm aktif olduğunda yanar. Bu, cihazın içi çok sıcak olduğunda söz konusudur.
- 10 **"alarm off" tuşu**  
Bu tuş aşağıdaki işlemler içindir İkaz sesinin kapatılması (Alarm fonksiyonu bölümüne bakınız).

## Cihazın açılması

1. Önce fişi cihazın arka kısmındaki bağlantıya takınız. Fişin tamamen takılıp takılmadığını kontrol ediniz.
2. Sonra kablonun diğer ucundaki fişi elektrik prizine takınız.

Cihaz şimdi devreye sokulmuştur ve bir ikaz sesi duyulur.

Kaz sesini kapatmak için alarm off tuşuna basınız.

Cihaz, ayarlanmış olan sıcaklığa ulaştığında 9 göstergesi kapanır.

Ön ayarı yapılmış ısı derecelerine birkaç saat sonra ulaşılır. Bu süreden önce cihaza besin koymayınız.

Fabrika ayarı olarak aşağıdaki dereceler önerilmektedir:

- Dondurucu bölmesi: -18 °C
- Soğutucu bölmesi: +4 °C

## İşletme hakkında bilgiler

- Devreye sokma işleminden sonra, ayarlanmış ısı derecelerine ulaşıncaya kadar birkaç saat geçebilir.
- Tam otomatik NoFrost sistemi sayesinde, dondurucu bölümünde buz oluşmaz. Bu nedenle, buz çözme işlemi yapılması gerekmez.
- Kapı kapatıldıktan sonra hemen tekrar açılmazsa, oluşmuş olan vakum dengeleninceye kadar, biraz bekleyiniz.
- Gövdenin alın yüzleri ve yan duvarları kısmen hafif ısıtılır. Bu sayede terleme veya kondanse su oluşması önlenmiş olur.

## Sıcaklık derecesinin ayarlanması

### Soğutucu bölümü

Isı derecesi +2 °C ile +8 °C arasında ayarlanabilir.

İstediğiniz soğutucu bölümü ısı derecesi ayarlanıncaya kadar, ısı ayar tuşuna 2 arka arkaya basınız.

Son olarak ayarlanmış olan değer hafızaya kaydedilir. Ayarlanmış ısı derecesi ilgili ısı derecesi göstergesinde 8 gösterilir.

Fabrika ayarı olarak soğutma bölümü için +4 °C ayarlamayı tavsiye ediyoruz.

Hassas besinler +4 °C'den daha sıcak depolanmamalıdır.

### Dondurucu bölümü

Isı derecesi -16 °C ile -24 °C arasında ayarlanabilir.

İstediğiniz dondurucu bölümü ısı derecesi ayarlanıncaya kadar, ısı ayar tuşuna 1 arka arkaya basınız.

Son olarak ayarlanmış olan değer hafızaya kaydedilir. Ayarlanmış ısı derecesi ilgili ısı derecesi göstergesinde 5 gösterilir.


Fabrika ayarı olarak dondurucu bölümü için -18 °C ayarlamayı tavsiye ediyoruz.

## Özel fonksiyonlar

Resim **2**

### Tuş kilidi fonksiyonu Lock (kilit)

Tuş kilidini açmak ve kapatmak için **lock 3s** tuşuna 3 saniye süresince basınız.

Fonksiyon açık olduğunda,  göstergesi yanar.

Kumanda bölümü şimdi kilitlidir ve böylelikle yanlışlıkla kullanılmaya karşı korunmuş durumdadır.

### Alarm fonksiyonu

Aşağıdaki durumlarda alarm devreye sokulabilir.

#### Kapak alarmı

Cihaz daha uzun süre açık kalırsa, kapı alarmı devreye girer (aralıklı ses) ve bölmenin ısı derecesi göstergesi yanar. Kapı kapatıldığında veya 10 alarm tuşuna basıldığında, alarm tekrar kapanır.

## Isı derecesi alarmı

Cihazın iç kısmı çok sıcak olduğunda ve besinlerin bozulması tehlikesi söz konusu olduğunda ısı derecesi alarmı devreye girer. Aralıklı bir ses işitilir, ısı derecesi göstergesi yanıp söner ve 9 göstergesi yanar.

Isı derecesi alarmı aşağıdaki durumlarda verilebilir:

- Cihazın çalıştırılması  
Besinleri mutlaka cihaz ayarlanmış olan ısı derecesine ulaştıktan sonra yerleştiriniz.
- Çok miktarda taze besinin yerleştirilmesi  
Çok miktarda taze besin yerleştirmeden önce süper dondurma modunu açınız. Taze besinler ile daha önceden dondurulmuş besinler arasında temas olmasını önleyiniz.
- Cihaz kapısı çok uzun süredir açık  
Besinlerin çözülmeye başlayıp başlamadığını veya çözülmüş olup olmadığını kontrol ediniz. Çözülmeye başlamış veya çözülmüş olan besinleri tekrar dondurmayınız.
- İkinci bir soğutma cihazı (yan yana kurulum) veya başka bir ısı kaynağı olması halinde cihaz ısınır  
Müşteri hizmetlerini arayınız ve cihaz izolasyonu imkanlarını sorunuz.

## Bilgi

Buzu çözülmeye başlamış veya çözülmüş olan besinleri tekrar dondurmayınız. Bu besinleri ancak pişirdikten sonra (pişiriniz veya kızartınız) yeniden dondurabilirsiniz.

Azami depolama süresini bu durumda tamamen kullanmayınız.

## Alarmın kapatılması

Resim 2  
İkaz sesini kapatmak için "alarm" tuşuna 10 basınız.

## Kullanılabilen hacim

Cihazın kullanılabilen hacmi ile ilgili bilgiler için, cihazın tip etiketine (levhasına) bakınız. Resim 13

## Soğutucu bölmesi

Soğutucu bölmesi et, salam-sucuk, balık, süt ürünleri, yumurta, hazır yemekler ve hamur ürünleri için ideal bir muhafaza etme yeridir.

## Depolama işleminde dikkat edilmesi gerekenler

- Taze, sağlam besinleri depolayınız. Böylelikle kalite ve tazelik daha uzun korunur.
- Hazır ürünlerde ve doldurma ürünlerde, üretici tarafından bildirilmiş asgari kullanılabilirlik tarihine veya son kullanma tarihine dikkat ediniz.
- Aromanın, renklerin ve tazeliğin korunması için, besinleri iyi ambalajlanmış veya kapalı şekilde cihaza yerleştiriniz. Böylelikle besinler arasında birbirlerine tat verme ve soğutma bölmesindeki plastik parçalarda renk değişimleri önlenmiş olur.
- Sıcak yiyecekleri ancak soğuduktan sonra cihaza yerleştiriniz.

## Bilgi

Hava sirkülasyonunun kötü etkilenmemesi için, soğutucu bölmesindeki havalandırma deliklerinin önünü besin koyarak bloke etmeyiniz. Doğrudan hava çıkış deliklerinin önüne yerleştirilen besinler, deliklerden çıkan soğuk havadan dolayı donabilir.

## Soğutucu bölmesindeki soğuk kısımlara dikkat

Soğutucu bölmesindeki hava sirkülasyonundan dolayı, farklı soğukluk derecelerine sahip kısımlar oluşur:

- En soğuk bölgeler, hava çıkış deliklerinin ön kısmı ve soğuk depolama gözüdür, Resim **1**/15.

### Bilgi

En soğuk kısımlarda hassas besinleri (örn. balık, sucuk, et) muhafaza ediniz.

- En sıcak alan kapıda en üst kısımdadır.

### Bilgi

En sıcak alanda örn. sert peynir ve tereyağı muhafaza ediniz. Böylelikle sert peynir tadını geliştirmeye devam eder, tereyağı ise ekmeğe sürülebilir kıvamda kalır.

## Nem ayar düzeneğine sahip sebze kabı

### Resim **7**

Meyve ve sebzeler için en iyi depolama iklimini sağlamak için sebze kabı içindeki hava nemini ayarlayabilirsiniz:

- Öncelikle sebze ve karışık doldurmada veya az miktarda doldurmada – yüksek hava nemi oranı
- Öncelikle meyve ve yoğun miktarda doldurmada – düşük hava nemi oranı

## Bilgiler

- Soğuk derecelere karşı hassas meyveler (örn. ananas, muz, papaya ve narenciyeler) ve sebzeler (örn. patlıcan, salatalık, kabak, biber, domates ve patates), kalitenin ve aromanın en iyi şekilde korunması için buzdolabının dışında, yaklaşık +8 °C ila +12 °C'de arasında depolanmalıdır.
- Depolama miktarına ve depolanan besine göre, sebze kabı içinde su yoğunlaşması söz konusu olabilir. Yoğuşan suyu kuru bir bez ile siliniz ve sebze kabı içindeki hava nemi oranını nem ayar sürgüsü üzerinden uygun şekilde ayarlayınız.

## Soğuk depolama bölümü

### Resim **8**

Soğuk depolama gözünde, soğutucu bölmesinden daha düşük dereceler elde edilir. 0 °C altında dereceler de söz konusu olabilir.

Balık, et ve sucuk depolamak için idealdir. Salata, sebze ve soğuğa karşı hassas besinler için uygun değildir.

Soğuk depolama gözlerinin ısı derecesini havalandırma deliği yardımıyla değiştirebilirsiniz. Isı derecesini düşürmek için, ısı derecesini ayar düğmesini yukarı itiniz. Isı derecesini yükseltmek için, ısı derecesini ayar düğmesini aşağı itiniz. Resim **6**



## Süper soğutma

Süper soğutma fonksiyonunda, soğutucu bölmesi yaklaşık 6 saat boyunca mümkün olduğu kadar soğuk yapılır. Ardından otomatik olarak, süper soğutma fonksiyonundan önceki ayarlanmış olan ısı derecesine geçilir.

Süper soğutma fonksiyonu örneğin şu durumlarda açılır

- Çok miktarda besin yerleştirilmeden önce.
- Çok çabuk içecek soğutmak için.

### Açılması ve kapatılması

Resim 2

Süper 4 göstergesi yanıncaya kadar, ısı derecesi ayar tuşuna 2 peş peşe basınız.

#### Bilgi

Süper soğutma devreye sokulmuşsa, daha fazla işletme sesleri duyulabilir.

## Dondurucu bölmesi

### Dondurucu bölmesinin kullanımı

- Dondurucu bölmesi.
- Küp buz üretmek için.
- Besin dondurmak için.

#### Bilgi

Dondurucu bölmesinin kapısının daima kapalı olmasına dikkat ediniz! Kapı açık olduğu zaman, dondurulmuş besinlerin buzu çözülür. Dondurucu bölmesi yoğun buz tutar. Ayrıca: Yüksek elektrik akımı tüketiminden dolayı gereksiz enerji harcanması söz konusudur!

## Dondurma kapasitesi

Dondurma kapasitesi ile ilgili bilgiler için tip levhasına bakınız. Resim 13

## Besinlerin dondurulması ve depolanması

### Derin dondurulmuş besin satın alınması

- Ambalaj zarar görmemiş olmalıdır.
- Son kullanma tarihine dikkat edilmelidir.
- Satış sandığındaki ısı derecesi -18 °C veya daha soğuk olmalıdır.
- Derin dondurulmuş besinleri mümkünse bir izolasyon çantası içinde taşıyınız ve en kısa zaman içinde doldurucu bölmesine yerleştiriniz.

## Taze besinlerin dondurulması

Dondurmak için sadece taze ve iyi besinler kullanınız.

Besi değerinin, aromanın ve rengin mümkün olduğu kadar korunması için, sebze dondurulmadan önce kısa haşlanmalıdır. Patlıcanlarda, biberlerde, kabaklarda ve kuşkonmazda kısa haşlama işlemi yapılması gerekmez.

Dondurma ve kısa haşlama hakkında literatür veya bilgi kaynakları için kitapçılara bakınız.

## Bilgi

Dondurulacak besinlerin, önceden dondurulmuş besinler ile temasını önleyiniz.

- Dondurulmaya elverişli besinler:  
Hamur işleri, balık ve deniz ürünleri, et, av eti, kanatlılar, sebze, meyve, otsu baharatlar, kabuksuz yumurta, peynir, tereyağı ve süzme yoğurt gibi süt ürünleri, hazır yemekler, çorba, türlü, pişmiş et ve balık gibi yemek artıkları, patates yemekleri, sufler ve tatlı besinler.
- Dondurulmaya elverişli olmayan besinler:  
Yaprak salata, kırmızı turp, kabuğu içinde yumurta, üzüm, bütün elma, armut ve şeftali, katı pişmiş yumurta, yoğurt, kesilmiş süt, krema, crème fraîche ve mayonez.

## Dondurulmuş besinlerin ambalajlanması

Besinleri hava giremeyecek şekilde paketleyiniz ki, tadı bozulmasın veya kurumasın. Besinleri ambalajlamak için veya besin kaplarını kapatmak için, sağlığa zararlı olabilecek malzemeler kullanmayınız.

1. Besinleri ambalaja koyunuz.
2. Havayı bastırıp boşaltınız.
3. Ambalajı sıkı ve hava sızmayacak şekilde kapatınız.
4. Ambalaj üzerine içindeki besinlerin ismini ve dondurma tarihini yazınız.

## Aşağıdakiler ambalaj olarak uygundur:

Plastik folyo, polietilenden torba folyo, alüminyum folyo ve dondurmak için uygun kutular.

Bu ürünleri uzman satış mağazalarında bulabilirsiniz.

## Aşağıdakiler ambalaj olarak uygun değildir:

Paketleme kağıdı, parşömen kağıdı, selofan (jelatinli kağıt), çöp torbası ve kullanılmış poşetler.

## Kapatmak için aşağıdakiler uygundur:

Lastik halkalar, plastik klipsler, bağlama iplikleri, soğuğa dayanıklı yapışkan bantlar veya benzeri malzemeler.

Polietilenden torbalar ve hortum folyoları bir folyo kaynak (ısıtıp yapıştırma) cihazı ile sızdırmaz şekilde kapatılabilir.

## Dondurulmuş besinlerin son kullanma tarihi

Dondurulmuş besinlerin dayanma süresi, -18 °C ısı derecesi ayarında:

- Balık, sucuk, hazır yemek, hamur ürünleri:  
6 aya kadar
- Peynir, kanatlı hayvanlar, et:  
8 aya kadar
- Sebze, meyve:  
12 aya kadar

## Süper dondurma

Vitaminlerin, besi değerlerinin, görünüşün ve tadın korunması için, besinler mümkün olduğu kadar hızlı bir şekilde ortalarına kadar tamamen dondurulmalıdır.

Taze besin yerleştirmeden birkaç saat önce süper dondurma fonksiyonunu devreye sokarak, taze besinler yerleştirildiğinde söz konusu olabilecek istenmeyen ısı derecesi yükselmesini önleyiniz.

Genel olarak 4–6 saat kadar önceden çalıştırmak yeterlidir.

Bu fonksiyon devreye sokulduktan sonra, kompresör sürekli çalışır ve dondurucu bölmesinde çok düşük bir dereceye ulaşılır.

Azm. dondurma kapasitesi kullanılmak isteniyorsa, taze besin yerleştirilmeden 24 saat önce süper dondurma fonksiyonu devreye sokulmalıdır.

Az miktarda besin (azami 2 kg kadar), süper dondurma fonksiyonu kullanılmadan da dondurulabilir.

### Bilgi

Süper dondurma devreye sokulmuşsa, daha fazla işletme sesleri duyulabilir.

## Açılması ve kapatılması

Resim 2

Süper 3 göstergesi yanıncaya kadar, ısı derecesi ayar tuşuna 1 peş peşe basınız.

Süper dondurma fonksiyonu yakl. 2½ gün sonra otomatik olarak kapanır.

## Dondurulmuş besinlerin buzunun çözülmesi

Besin çeşitlerine ve kullanım amacına göre, şu olanaklar arasında seçme yapılabilir:

- Oda sıcaklığında
- Buzdolabında
- Elektrikli fırında, sıcak hava ventilatörü kullanılarak/kullanılmadan
- Mikrodalga fırında



### Dikkat

Buzu çözülmeye başlamış veya çözülmüş olan besinleri tekrar dondurmuyunuz. Bu besinleri ancak pişirdikten sonra (pişiriniz veya kızartınız) yeniden dondurabilirsiniz.

Bu durumda besinin azami depolama süresini tamamen kullanmayınız.

## Dolap

### Raflar ve kaplar

İç kısmın raflarını, kapı içindeki rafları ve gözleri, ihtiyacınıza göre değiştirebilirsiniz: İlgili rafı öne doğru çekiniz, ön tarafını aşağı indiriniz ve yana doğru çevirerek dışarı çıkarınız. Kabı yukarı kaldırınız ve dışarı çıkarınız.

## Özel donanım

(her modelde değil)

### Şişe rafı

Resim 5

Şişe rafında şişeler emin bir şekilde muhafaza edilebilir.

### Buz hazırlayıcı

Resim 11

1. Buz kabını çıkartınız.
2. Buz kabına  $\frac{3}{4}$  içme suyu doldurunuz.
3. Buz kabını tekrar yerleştiriniz.
4. Küp buzlar donduktan sonra, buz kabının tutamağını birkaç kez sağa doğru çeviriniz ve serbest bırakınız.  
Küp buzlar yerinden çıkar ve stok kabının içine düşer.
5. Küp buzları, stok kabından alınız.

### Buz kabı

Resim 9

1. Buz kabının  $\frac{3}{4}$  kadarını içme suyu ile doldurunuz ve kabı dondurucu bölümüne yerleştiriniz.
2. Buz kabı tabana yapışırca, keskin ve sivri olmayan bir cisim ile çözmeye çalışınız (kaşık sapı).
3. Küp buzları buz kabından çıkarmak için, kabı kısa bir süre musluktan akan su altına tutunuz veya biraz sağa sola bükünüz.

### Sebze çekmecesi bölme parçası

Resim 10

Bölme parçası çıkartılabilir ve başka bir yere takılabilir.

## Çıkartma "OK"

(her modelde yoktur)

"OK" çıkartması ile, soğutma bölümünde gıda maddeleri için güvenli olan ve tavsiye edilen +4 °C veya altı bir ısı derecesinin mevcut olup olmadığını kontrol edebilirsiniz. Çıkartmada "OK" gösterilmezse, ısı derecesini adım adım azaltınız.

### Bilgi

Cihaz devreye sokulduktan sonra, ayarlanmış ısı derecesine ulaşılması 12 saat sürebilir.



### Doğru ayar

## Cihazın kapatılması, cihazın tamamen kapatılması

### Cihazın kapatılması

15 saniye süresince alarm off tuşuna basınız.  
Soğutucu kapanır.

Soğutucuyu tekrar açmak için alarm off tuşuna 15 saniye süresince basınız.

## Cihazın tamamen kapatılması

Eğer cihaz uzun bir süre kullanılmayacaksa:

1. Elektrik fişi çekilip prizden çıkarılmalı veya cihazın bağlı olduğu sigorta kapatılmalıdır.
2. Cihazı temizleyiniz.
3. Cihaz kapılarını açık bırakınız.

### Bilgi

Cihazın hasar görmesini önlemek için cihaz kapıları, kendilerinden açık duracak kadar açılmalıdır. Kapıyı açık tutmak için kapının arasına herhangi bir cisim sıkıştırmayın.

## Cihazın temizlenmesi

### ⚠ Dikkat

- Kum, klor veya asit içeren temizleme maddeleri ve çözücü maddeler kullanmayınız.
- Ovalama gerektiren veya çizen süngerler kullanmayınız.  
Metalik yüzeylerde korozyon oluşabilir.
- Raflar ve kaplar kesinlikle bulaşık makinesinde yıkanmamalıdır.  
Aksi halde bu parçalar deforme olabilir.

### Temizleme suyu müteakip bölümlere girmemelidir:

- Kullanım elemanları
- Aydınlatma
- Havalandırma delikleri
- Ayırma plakasında delikler

## Aşağıdaki işlemleri uygulayınız:

1. Elektrik fişini prizden çıkartınız veya cihazın bağlı olduğu sigortayı kapatınız.
2. Dondurulmuş besinleri cihazdan dışarı çıkarınız ve serin bir yerde muhafaza ediniz. Soğutma akülerini (varsa) besinlerin üzerine yerleştiriniz.
3. Deterjanlı temizleme suyu, kumanda elemanları, aydınlatma, havalandırma delikleri veya ayırma plakası deliklerinin içine irmemelidir!  
Cihazı yumuşak bir bez, ılık su ve pH değeri nötr olan bir bulaşık deterjanı ile temizleyiniz.
4. Kapı contası sadece temiz su ile silinmelidir ve ardından iyice siliniş kurulanmalıdır.
5. Temizleme işleminden sonra, cihazı tekrar elektrik şebekesine bağlayınız.
6. Şimdi dondurulmuş besinleri yeniden cihaza yerleştiriniz.

## Dolap

Temizlenmek amacıyla, cihazın tüm yeri değiştirilebilen parçaları dışarı çıkarılabilir.

### Kapı içindeki rafların dışarı çıkarılması Resim 4

Rafları yukarı kaldırınız ve dışarı çıkarınız.

### Cam rafların dışarı çıkarılması

Cam rafları öne doğru çekiniz ve dışarı çıkarınız.

### Kapların dışarı çıkarılması

Resim 8

Kabı sonuna kadar dışarı çekiniz, ön tarafını yukarı kaldırınız ve dışarı çıkarınız.

## Buz yapma ünitesinin temizlenmesi

Buz yapma ünitesini muntazam aralıklar ile temizleyiniz. Bu sayede uzun süre önce hazırlanmış küp buzların büzülüp küçülmesini, bayatlamış bir tat almasını veya birbirine yapışmasını önlemiş olursunuz.

Resim 12

1. Küp buz kabını ve stok kabını dışarı çıkarınız ve boşaltınız.
2. Buzmatığı tutucudan çözmek için Push tuşuna basınız.
3. Buzmatığı çıkartınız.
4. Tutucunun arka ucunu kaldırınız ve cam plakanın arkasına indiriniz.
5. Tutucuyu öne doğru çıkartınız.
6. Buzmatığın tüm parçalarını ılık su ile temizleyiniz.
7. Tüm parçaların tamamen kurummasını bekleyiniz.
8. Buzmatığı sıralamanın tersine tekrar birleştirip yerine takınız.

## Aydınlatma (LED)

Cihazınız, bakım istemeyen bir LED aydınlatması ile donatılmıştır.

Bu aydınlatma donanımında yapılacak onarımlar sadece yetkili servis veya yetkilendirilmiş uzman elemanlar tarafından uygulanmalıdır.

## Enerji tasarrufu

- Cihazı serin ve iyi havalandırılmış bir yere kurunuz! Güneş ışınları doğrudan cihazın kurulacağı yere gelmemeli ve cihaz sıcaklık oluşturan cisimlerin ve ısı kaynaklarının (örn. soba, kalorifer, ocak, fırın gibi) yanına veya yakınına kurulmamalıdır.  
Gerekirse bir izolasyon plakası kullanınız.
- Sıcak besinleri ve içecekleri cihaza yerleştirmeden önce soğumasını bekleyiniz ve soğuduktan sonra cihaza yerleştiriniz.
- Dondurulmuş besinleri buzlarının çözülmesi için soğutucu bölümüne yerleştirerek, bu besinlerin soğukluğunu söz konusu bölümdeki besinlerin soğutulması için kullanınız.
- Cihaz kapılarını mümkün olduğu kadar kısa açınız.
- Enerji tüketiminin en düşük seviyede olmasını sağlamak için: duvara olan mesafe mümkün olduğunca kısa tutulmalıdır.
- Cihazın hava giriş ve çıkış deliklerinin önünü kapatmayınız.
- Üst cam rafı çıkartmayınız veya yerini değiştirmeyiniz.

# Çalışma sesleri

## Normal çalışma ses ve gürültüleri

### Bilgi

Süper dondurma devreye sokulmuşsa, daha fazla işletme sesleri duyulabilir.

### Boğuk horultu

Motorlar çalışıyor (örn. soğutma ünite grubu, ventilatör).

### Fıkırtı, şırıltı ve tınlama sesleri

Boruların içinde soğutma maddesi akıyor.

### Çıtlama sesi

Motor, şalter veya manyetik valfler açılıyor/kapanıyor.

### Çatırdama

Otomatik buz çözme yapılıyor.

### Cızırdama sesi

NoFrost sistemi çözülür, su damlaları buharlaşır.

## Gürültü oluşmasının önlenmesi

### Cihaz düz yerleştirilmemiş

Cihazı lütfen bir su terazisinin yardımı ile dengeli ayarlayınız. Düzeltme işlemi için cihazın ayarlanabilen vidalı ayarlarını kullanınız veya altına uygun parçalar koyunuz.

### Cihaz bir yere "temas" ediyor

Cihazı, temas ettiği mobilya veya cihazlardan ayırınız.

### Kaplar veya raflar sallanıyor veya sıkışıyor

Dışarı çıkarılabilen parçaları kontrol ediniz ve gerekirse yeniden takınız.

### Şişeler veya kaplar birbirine değiyor

Şişeleri veya kapları birbirinden biraz ayırınız.

## Basit hataları kendiniz giderebilirsiniz

Yetkili servisi çağırılmadan önce:

Aşağıdaki talimatların yardımıyla arızayı kendinizin giderip gideremeyeceğinizi kontrol ediniz.

Garanti süresi içerisinde dahi, bu gibi durumlarda servis görevlisinin masraflarının tümünü kendiniz ödemek zorundasınız!

Arıza	Muhtemel sebebi	Giderilmesi
Sıcaklık derecesi, yapılmış ayardan çok daha farklı.		Bazı durumlarda cihazı 5 dakika kapatmanız yeterlidir. Isı derecesi çok sıcak ise, birkaç saat sonra ısı derecesinin ayar derecesine yaklaşmış olduğunu kontrol ediniz. Sıcaklık derecesi düşükse, yani çok soğuksa, sıcaklık derecesini ertesi gün tekrar kontrol ediniz.
Soğutucu bölmesi veya soğuk depolama gözü çok soğuk.		Soğutucu bölmesinin ısı derecesini daha sıcak ayarlayınız. Soğuk depolama gözü için ısı derecesi ayar düğmesini aşağı itiniz. Resim <b>6</b>
Dondurucu bölmesinin derecesi çok sıcak.	Cihazın çok sık açılması. Hava giriş ve çıkış deliklerinin önü kapanmış. Çok miktarda taze besin dondurunuz.	Cihazı gereksiz açmayınız. Engeller kaldırılmalıdır. Dondurma kapasitesini aşmayınız.
Cihaz soğutmuyor, ısı derecesi göstergesi ve aydınlatma yanıyor.	Sergileme modu devreye sokulmuştur.	1. Cihazın fişini çekip tekrar takınız. 2. Sonraki 10 saniye içerisinde dondurucu bölmesinin ve soğutucu bölmesinin ısı derecesi ayar tuşlarına 15 saniye süresince basınız. Bir onay sesi duyulur. 3. Bir süre sonra, cihazınızın soğutup soğutmadığını kontrol ediniz.
Cihazın yan duvarları sıcak.	Yan duvarlarda, soğutma işlemi esnasında ısınan borular bulunmaktadır.	Bu cihazın normal bir davranışıdır, bir arıza değildir. Cihaza temas eden mobilyalar, ısı sonucu hasar görmez.



<b>Arıza</b>	<b>Muhtemel sebebi</b>	<b>Giderilmesi</b>
Cihaz, belirli bir sebep olmamasına rağmen bir sıcaklık alarmı gösteriyor.	Bir ısı kaynağına, cihaza fazla yakın. Cihazın hemen yanında ikinci bir soğutma cihazı var (yan yana kurulum).	Müşteri hizmetlerini arayınız.
Aydınlatma çalışmıyor.	LED aydınlatma bozuk. Cihaz kapısı veya kapağı çok uzun bir süre açık kaldı. Aydınlatma yakl. 10 dakika sonra kapatılır.	Bakınız bölüm "Aydınlatma (LED)". Cihaz kapısı veya kapağı kapatılıp açıldıktan sonra, aydınlatma yine yanar.
Herhangi bir gösterge yanmıyor.	Elektrik kesintisi; sigorta kapalı; elektrik fişi prize iyi takılmamış.	Elektrik fişini takınız. Elektrik akımı olup olmadığı kontrol edilmelidir, sigortalar kontrol edilmelidir.
Dondurucu bölümünün kapısı uzun süre açık kaldı; artık ayarlanmış sıcaklığa ulaşamıyor.	NoFrost sistemindeki evaporatör (soğuk üretici) aşırı oranda buz tutmuş ve bu nedenle tam otomatik buz çözme işlemini yapamıyor.	Evaporatörün buzunu çözmek için, dondurulmuş besinleri çekmeceler veya içine kondukları gözler ile birlikte cihazdan dışarı çıkarınız ve iyice izole ederek, serin bir yerde muhafaza ediniz. Cihazı kapatınız ve iteleyerek duvardan uzaklaştırınız. Cihazın kapısı açık bırakılmalıdır. Yaklaşık 20 dakika sonra, eriyen su cihazın arka yüzündeki buharlaşma kabının içine akmaya başlar. Bu işlem esnasında buharlaşma kabının taşmasını önlemek için, eriyen suyu bir sünger ile emerek kabın boşlmasını sağlayınız. Buharlaşma kabına artık buz suyu eriyip akmayınca, evaporatörün buzunu çözülmüş demektir. Cihazın içini temizleyiniz. Cihazı tekrar çalıştırınız.
Cihaz yüzeyinde ve cihazdaki gözlerde yoğuşma suyu birikiyor.	Sıcak ve nemli ortam koşulları bu etkiyi kuvvetlendirir.	Temiz ve kuru bir bez kullanarak suyu silin. ■ Cihaz kapağını mümkün olduğunca kısa süre için ■ Cihaz kapağının her zaman doğru şekilde kapatılmış olmasına dikkat edin.

## Cihazın kendini test etmesi

Cihazınız bir kendini test etme programı ile donatılmıştır ve bu program size, sadece yetkili servis tarafından giderilebilecek hata kaynaklarını gösterir.

### Cihazın kendini test etme programının başlatılması

1. Cihazı kapatınız ve 5 dakika bekleyiniz.
2. Cihazı devreye sokunuz ve ilk 2 dakika içerisinde akustik bir sinyal sesi duyulana dek dondurucu bölmesi ısı derecesi ayar tuşunu 1 5 saniye süresince basılı tutunuz.

Kendi kendine test programı çalışmaya başlar.

Kendi kendini test sona erdikten sonra, iki kez bir akustik sinyal çalınca, cihazın iyi durumdadır.

5 akustik sinyal çalarsa, bir hata söz konusudur. Müşteri hizmetlerine bildiriniz.

### Cihazın kendini test etme programının sona erdirilmesi

Program sona erince, cihaz normal çalışma moduna geri döner.

## Müşteri hizmetleri

Size yakın müşteri hizmetlerini telefon rehberinde veya müşteri hizmetleri listesinde bulabilirsiniz. Müşteri hizmetlerine lütfen cihazın ürün numarasını (E-Nr.), imalat numarasını (FD-Nr.) ve sayma numarasını (Z-Nr.) belirtiniz.

Bu numaraları tip levhasının üzerinde bulabilirsiniz. Resim 13

Böylece gereksiz ziyaretlerin önlenmesine yardım edersiniz ve oluşabilecek fazla masraflardan da tasarruf etmiş olursunuz.

### Arızalarda onarım siparişi ve danışma

Tüm ülkelerin iletişim bilgileri için, ekteki yetkili servis listesine bakınız.

TR 444 6333

Çağrı merkezini sabit hatlardan aramanın bedeli şehir içi ücretlendirme, Cep telefonlarından ise kullanılan tarifeye göre değişkenlik göstermektedir.

Kullanım Süresi: 10 YIL (Ürünün fonksiyonunu yerine getirebilmesi için gerekli yedek parça bulundurma süresi).

## Garanti Şartları

- Malın ayıplı olduğunun anlaşılması durumunda tüketici, 6502 sayılı Tüketicinin Korunması Hakkında Kanununun 11 inci maddesinde yer alan;
  - Sözleşmeden dönme
  - Satış bedelinden indirim isteme,
  - Ücretsiz onarılmasını isteme,
  - Satılanın ayıpsız bir misli ile değiştirilmesini isteme,

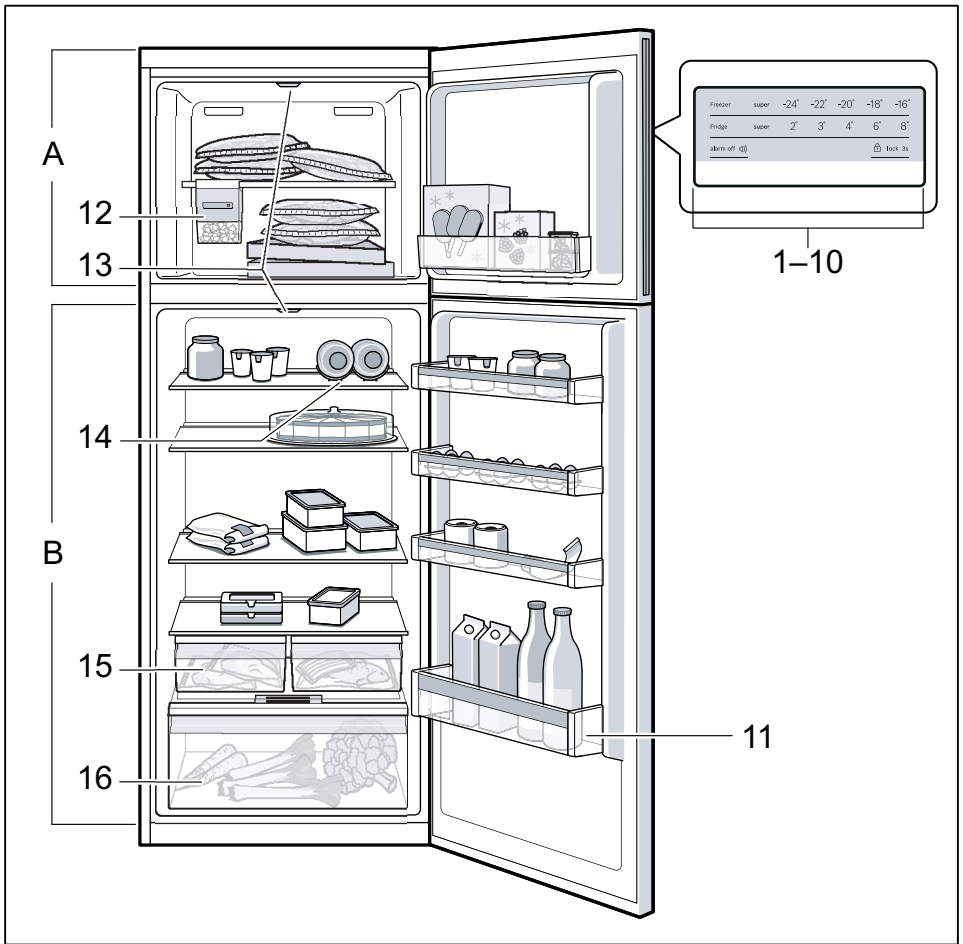
haklarından birini kullanabilir.

- Tüketicinin bu haklarından ücretsiz onarım hakkını seçmesi durumunda satıcı; işçilik masrafı, değiştirilen parça bedeli ya da başka herhangi bir ad altında hiçbir ücret talep etmeksizin malın onarımını yapmak veya yaptırmakla yükümlüdür. Tüketici ücretsiz onarım hakkını üretici veya ithalatçıya karşı da kullanılabilir. Satıcı, üretici ve ithalatçı tüketicinin bu hakkını kullanmasından müteselsilen sorumludur.

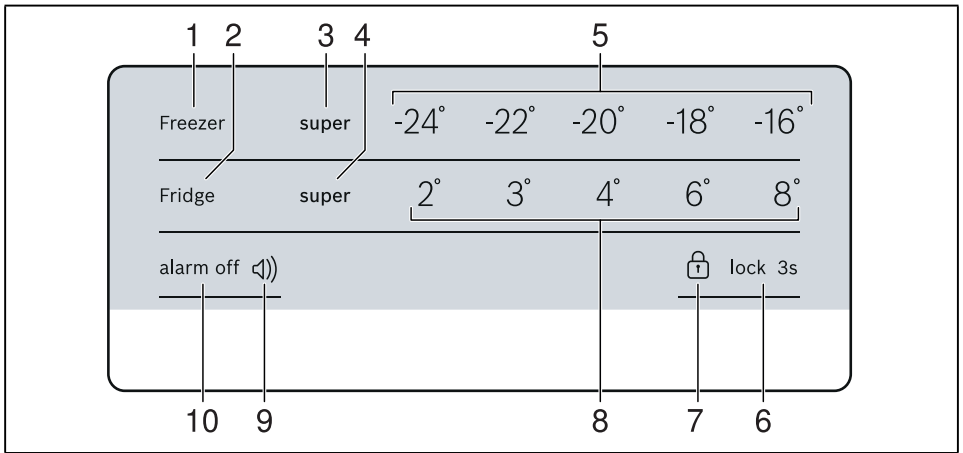
- Tüketicinin, ücretsiz onarım hakkını kullanması halinde malın;
  - Garanti süresi içinde tekrar arızalanması,
  - Tamiri için gereken azami sürenin aşılması,
  - Tamirinin mümkün olmadığı için, yetkili servis istasyonu, satıcı, üretici veya ithalatçı tarafından bir raporla belirlenmesi durumlarında;

tüketici malın bedel iadesini, ayıp oranında bedel indirimini veya imkan varsa malın ayıpsız misli ile değiştirilmesini satıcından talep edilir. Satıcı, tüketicinin talebini reddedemez. Bu talebin yerine getirilmemesi durumunda satıcı, üretici ve ithalatçı müteselsilen sorumludur.

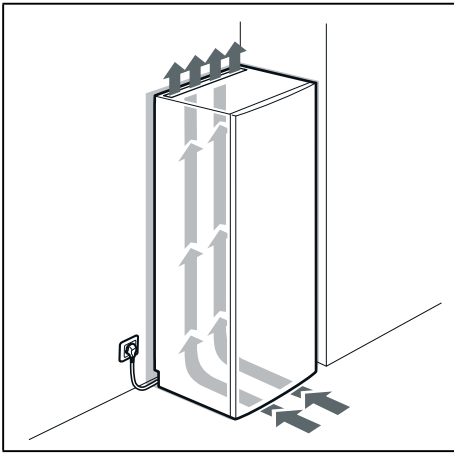
- Malın kullanım kılavuzunda yer alan hususlara aykırı kullanılmasından kaynaklanan arızalar garanti kapsamı dışındadır.
- Tüketici, garantiden doğan haklarının kullanılması ile ilgili olarak çıkabilecek uyuşmazlıklarda yerleşim yerinin bulunduğu veya tüketici işleminin yapıldığı yerdeki Tüketici Hakem Heyetine veya Tüketici Mahkemesine başvurabilir.



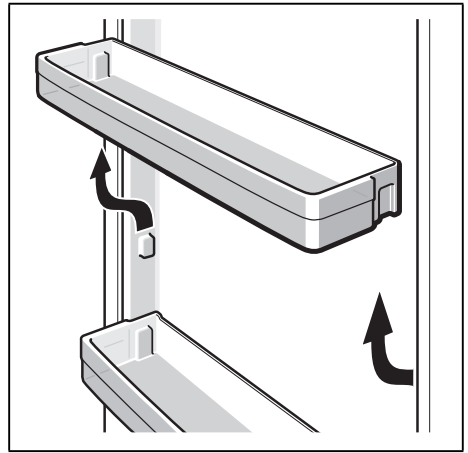
**1**



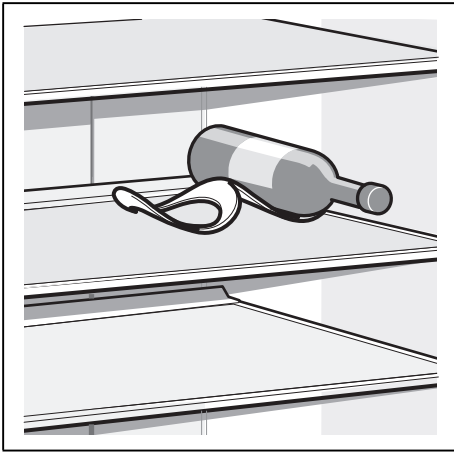
**2**



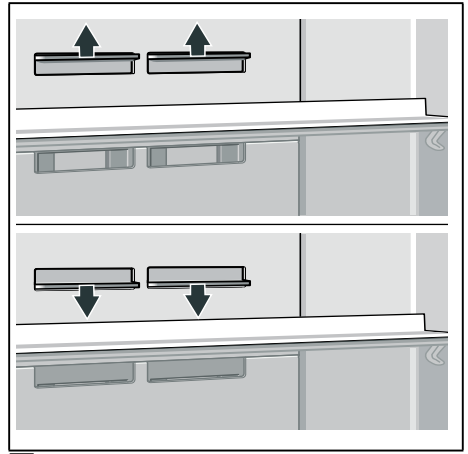
3



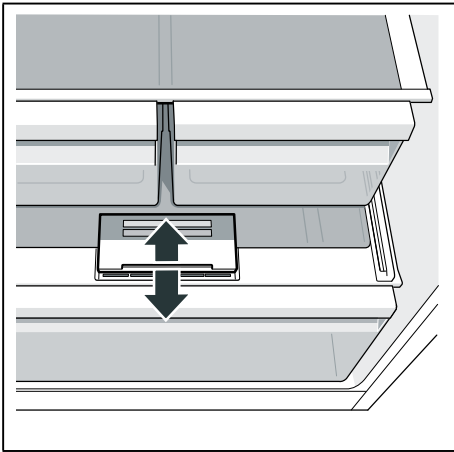
4



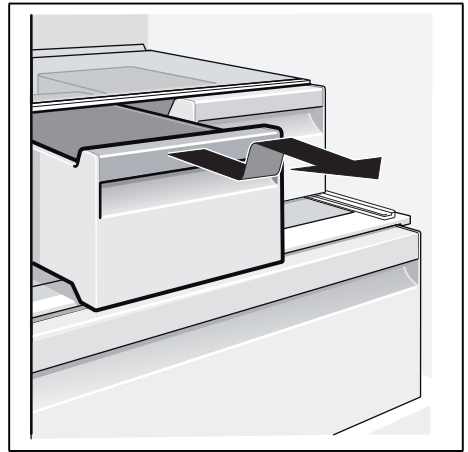
5



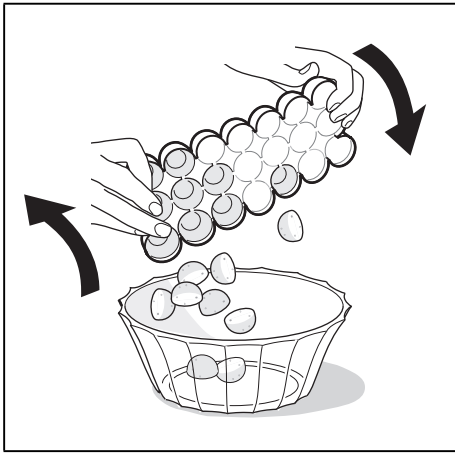
6



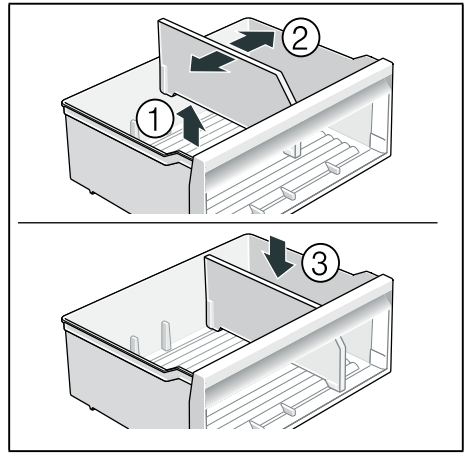
7



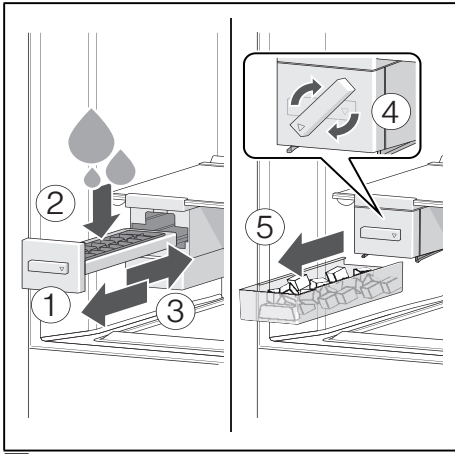
8



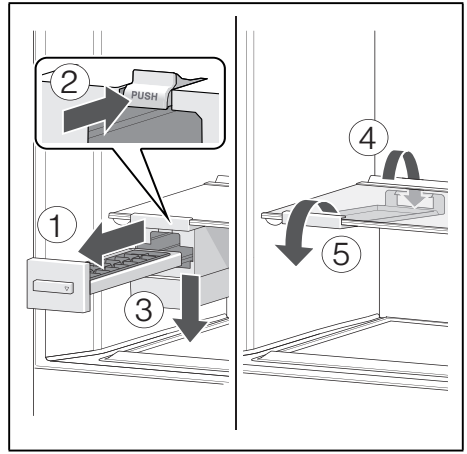
9



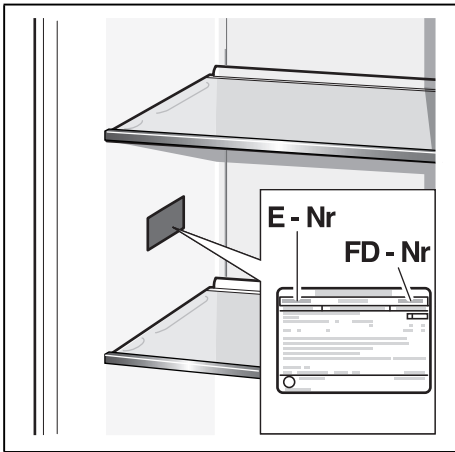
10



11



12



13



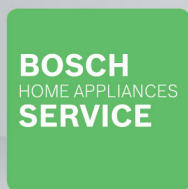
## Thank you for buying a Bosch Home Appliance!

Register your new device on MyBosch now and profit directly from:

- **Expert tips & tricks for your appliance**
- **Warranty extension options**
- **Discounts for accessories & spare-parts**
- **Digital manual and all appliance data at hand**
- **Easy access to Bosch Home Appliances Service**

Free and easy registration – also on mobile phones:

**[www.bosch-home.com/welcome](http://www.bosch-home.com/welcome)**



## Looking for help? You 'll find it here.

Expert advice for your Bosch home appliances, need help with problems or a repair from Bosch experts.

Find out everything about the many ways Bosch can support you:

**[www.bosch-home.com/service](http://www.bosch-home.com/service)**

**Contact data of all countries are listed in the attached service directory.**

### **Bosch Home Appliance Group**

P.O. Box 83 01 01

D-81701 Munich

Germany

**[www.bosch-home.com](http://www.bosch-home.com)**



**8001177777** (0002)

en, tr